

02310QDT-AO

Huawei 02310QDT (SFP-10G-BXD1) Compatible TAA 10GBase-BX SFP+ Transceiver (SMF, 1330nmTx/1270nmRx, 10km, LC, DOM, -40 to 85C)

Features

- SFF-8432 and SFF-8472 Compliance
- Simplex LC Connector
- Industrial Temperature -40 to 85 Celsius
- Single-mode Fiber
- Hot Pluggable
- Excellent ESD Protection
- Metal with Lower EMI
- RoHS Compliant and Lead Free



Applications

- 8x/10x Fibre Channel
- 10GBase-BX Ethernet
- Access, Metro and Enterprise

Product Description

This Huawei® 02310QDT compatible SFP+ transceiver provides 10GBase-BX throughput up to 10km over single-mode fiber (SMF) using a wavelength of 1330nmTx/1270nmRx via an LC connector. It is guaranteed to be 100% compatible with the equivalent Huawei® transceiver. This easy to install, hot swappable transceiver has been programmed, uniquely serialized and data-traffic and application tested to ensure that it will initialize and perform identically. Digital optical monitoring (DOM) support is also present to allow access to real-time operating parameters. This transceiver is Trade Agreements Act (TAA) compliant. We stand behind the quality of our products and proudly offer a limited lifetime warranty.

AddOn's transceivers are RoHS compliant and lead-free.

TAA refers to the Trade Agreements Act (19 U.S.C. & 2501-2581), which is intended to foster fair and open international trade. TAA requires that the U.S. Government may acquire only "U.S. – made or designated country end products."



Regulatory Compliance

- ESD to the Electrical PINs: compatible with MIL-STD-883E Method 3015.4.
- ESD to the LC Receptacle: compatible with IEC 61000-4-3.
- EMI/EMC: compatible with FCC Part 15 Subpart B Rules, EN55022:2010.
- Laser Eye Safety: compatible with FDA 21CFR, EN60950-1& EN (IEC) 60825-1, 2.
- RoHS: compliant with EU RoHS 2.0 directive 2015/863/EU.

Absolute Maximum Ratings

| Parameter | Symbol | Min. | Typ. | Max. | Unit | Notes |
|----------------------------|--------|------|------|-------------------|------|-------|
| Maximum Supply Voltage | Vcc | -0.5 | | 4.0 | V | 1 |
| Storage Temperature | Tstg | -40 | | 85 | °C | 2 |
| Operating Case Temperature | Tc | -40 | | 85 | °C | 3 |
| Data Rate | DR | 9.83 | | 11.3 | Gbps | 4 |
| Bit Error Rate | BER | | | 10 ⁻¹² | | |
| Supply Current | Icc | | 200 | 350 | mA | 1 |

Notes:

1. For electrical power interface.
2. Ambient temperature.
3. Case Temperature.
4. IEEE 802.3ae.

Electrical Characteristics

| Parameter | Symbol | Min. | Typ. | Max. | Unit | Notes |
|--|-------------------|------|------|----------|------|-------|
| Power Supply Voltage | Vcc | 3.14 | 3.3 | 3.46 | V | |
| Power Dissipation | P _{DISS} | | 0.65 | 1.2 | W | |
| Transmitter | | | | | | |
| Input Differential Impedance | RIN | | 100 | | Ω | |
| Differential Data Input Swing | VIN,pp | 180 | | 700 | mV | |
| Transmit Disable Voltage | VD | 2.0 | | Vcc | V | |
| Transmit Enable Voltage | VEN | Vee | | Vee+0.8 | V | |
| Receiver | | | | | | |
| Differential Data Output Swing | VOUT,pp | 300 | | 850 | mV | |
| Data Output Rise Time/Fall Time (20-80%) | Tr/Tf | 28 | | | ps | |
| LOS Assert | LOSA | 2 | | Host_Vcc | V | |
| LOS De-Assert | LOSD | Vee | | Vee+0.5 | V | |

Optical Characteristics

| Parameter | Symbol | Min. | Typ. | Max. | Unit | Notes |
|---------------------------------|---------------------------------------|------|------|-------|-------|-------|
| Transmitter | | | | | | |
| Output Optical Power | Ptx | -8.2 | | 0.5 | dBm | 1 |
| Optical Center Wavelength | λ_C | 1320 | 1330 | 1340 | nm | |
| Extinction Ratio | ER | 3.5 | | | dB | |
| Spectral Width (-20dB) | $\Delta\lambda$ | | | 0.6 | nm | |
| Side-Mode Suppression Ratio | SMSR | 30 | | | dB | |
| Relative Intensity Noise | RIN | | | -128 | dB/Hz | |
| Transmitter Dispersion Penalty | TDP | | | 3.2 | dB | |
| Launch Power of Off Transmitter | Poff | | | -30 | dBm | 1 |
| Transmitter Jitter | According to IEEE 802.3ae Requirement | | | | | |
| Receiver | | | | | | |
| Receiver Overload | | 0.5 | | | dBm | |
| Optical Center Wavelength | λ_C | 1260 | 1270 | 1280 | nm | |
| Receiver Sensitivity | S | | | -14.4 | dBm | 2 |
| Receiver Reflectance | TRrx | | | -12 | dB | |
| LOS Assert | LOSA | -30 | | | dBm | |
| LOS De-Assert | LOSD | | | -17 | dBm | |
| LOS Hysteresis | LOSH | 0.5 | | | dB | |

Notes:

1. Average.
2. Average. Measured with worst ER: BER < 10^{-12} and $2^{31}-1$ PRBS.

Pin Descriptions

| Pin | Symbol | Name/Descriptions | Notes |
|-----|------------|--|-------|
| 1 | VeeT | Transmitter Ground. Common with receiver ground. | 1 |
| 2 | Tx_Fault | Transmitter Fault. | 2 |
| 3 | Tx_Disable | Transmitter Disable. Laser output disabled on "high" or "open." | 3 |
| 4 | SDA | 2-Wire Serial Interface Data. | 4 |
| 5 | SCL | 2-Wire Serial Interface Clock. | 4 |
| 6 | MOD_ABS | Module Absent. Grounded within the module. | 4 |
| 7 | RS0 | No connection required. | |
| 8 | LOS | Loss of Signal indication. "Logic 0" indicates normal operation. | 5 |
| 9 | RS1 | No connection required. | 1 |
| 10 | VeeR | Receiver Ground. Common with transmitter ground. | 1 |
| 11 | VeeR | Receiver Ground. Common with transmitter ground. | 1 |
| 12 | RD- | Receiver Inverted Data Out. AC coupled. | |
| 13 | RD+ | Receiver Non-Inverted Data Out. AC coupled. | |
| 14 | VeeR | Receiver Ground. Common with transmitter ground. | 1 |
| 15 | VccR | Receiver Power Supply. | |
| 16 | VccT | Transmitter Power Supply. | |
| 17 | VeeT | Transmitter Ground. Common with receiver ground. | 1 |
| 18 | TD+ | Transmitter Non-Inverted Data In. AC coupled. | |
| 19 | TD- | Transmitter Inverted Data In. AC coupled. | |
| 20 | VeeT | Transmitter Ground. Common with receiver ground. | 1 |

Notes:

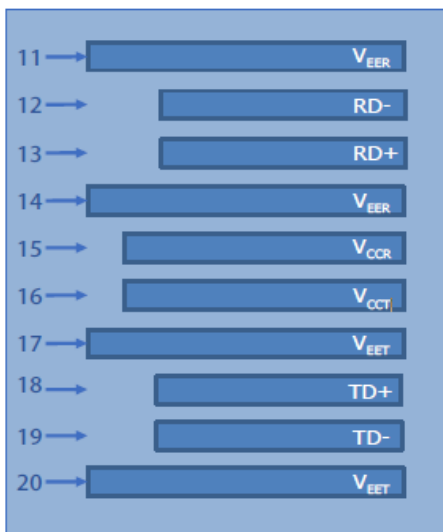
1. Circuit ground is isolated from the chassis ground.
2. Tx_Fault is the open collector output and should be pulled up with 4.7kΩ-10kΩ on the host board to a voltage between 2V and Vcc+0.3V.
3. Disabled: TDIS>2V or open. Enabled TDIS<0.8V.
4. Should be pulled up with the 4.7kΩ-10kΩ on the host board to a voltage between 2V and Vcc+0.3V.
5. LOS is open collector output and should be pulled with 4.7kΩ-10kΩ on the host board to a voltage between 2V and Vcc+0.3V. The logic "0" indicated normal operation, and the logic "1" indicates that the receiver signal is lost.

Transceiver Block Diagram

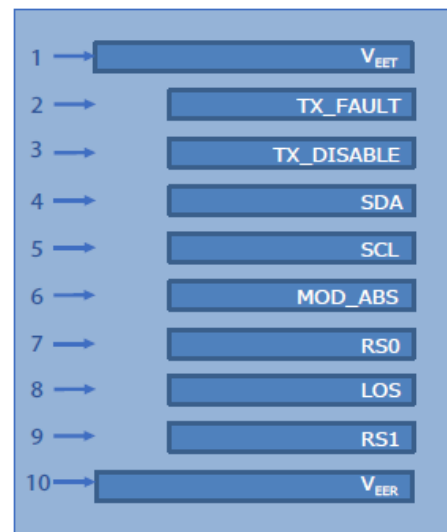


Electical Pad Layout

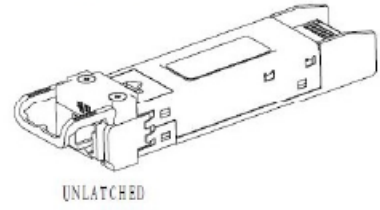
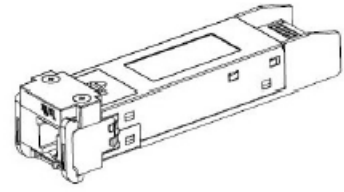
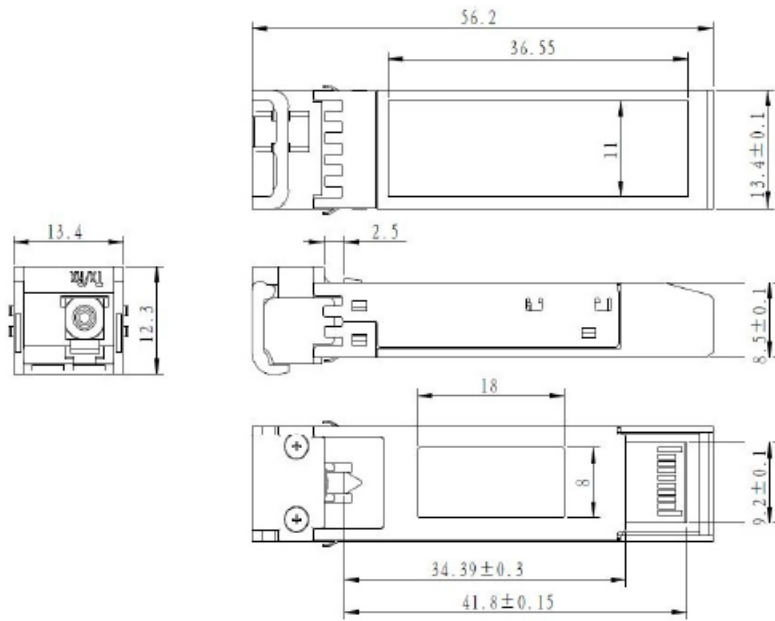
Top view



Bottom view



Mechanical Specifications



About AddOn Networks

In 1999, AddOn Networks entered the market with a single product. Our founders fulfilled a severe shortage for compatible, cost-effective optical transceivers that compete at the same performance levels as leading OEM manufacturers. Adhering to the idea of redefining service and product quality not previously had in the fiber optic networking industry, AddOn invested resources in solution design, production, fulfillment, and global support.

Combining one of the most extensive and stringent testing processes in the industry, an exceptional free tech support center, and a consistent roll-out of innovative technologies, AddOn has continually set industry standards of quality and reliability throughout its history.

Reliability is the cornerstone of any optical fiber network and is engrained in AddOn's DNA. It has played a key role in nurturing the long-term relationships developed over the years with customers. AddOn remains committed to exceeding industry standards with certifications from ranging from NEBS Level 3 to ISO 9001:2005 with every new development while maintaining the signature reliability of its products.

U.S. Headquarters

Email: sales@addonnetworks.com

Telephone: +1 877.292.1701

Fax: 949.266.9273

Europe Headquarters

Email: salesupportemea@addonnetworks.com

Telephone: +44 1285 842070