

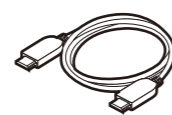
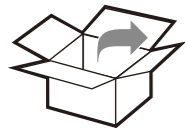


LCD Monitor Quick Start Guide

Business Monitor | BL Series

DN: BL85T-EQ-V2

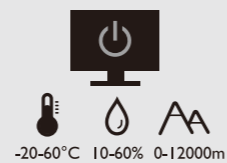
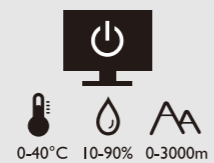
© 2021 BenQ Corporation. All rights reserved. Rights of modification reserved.



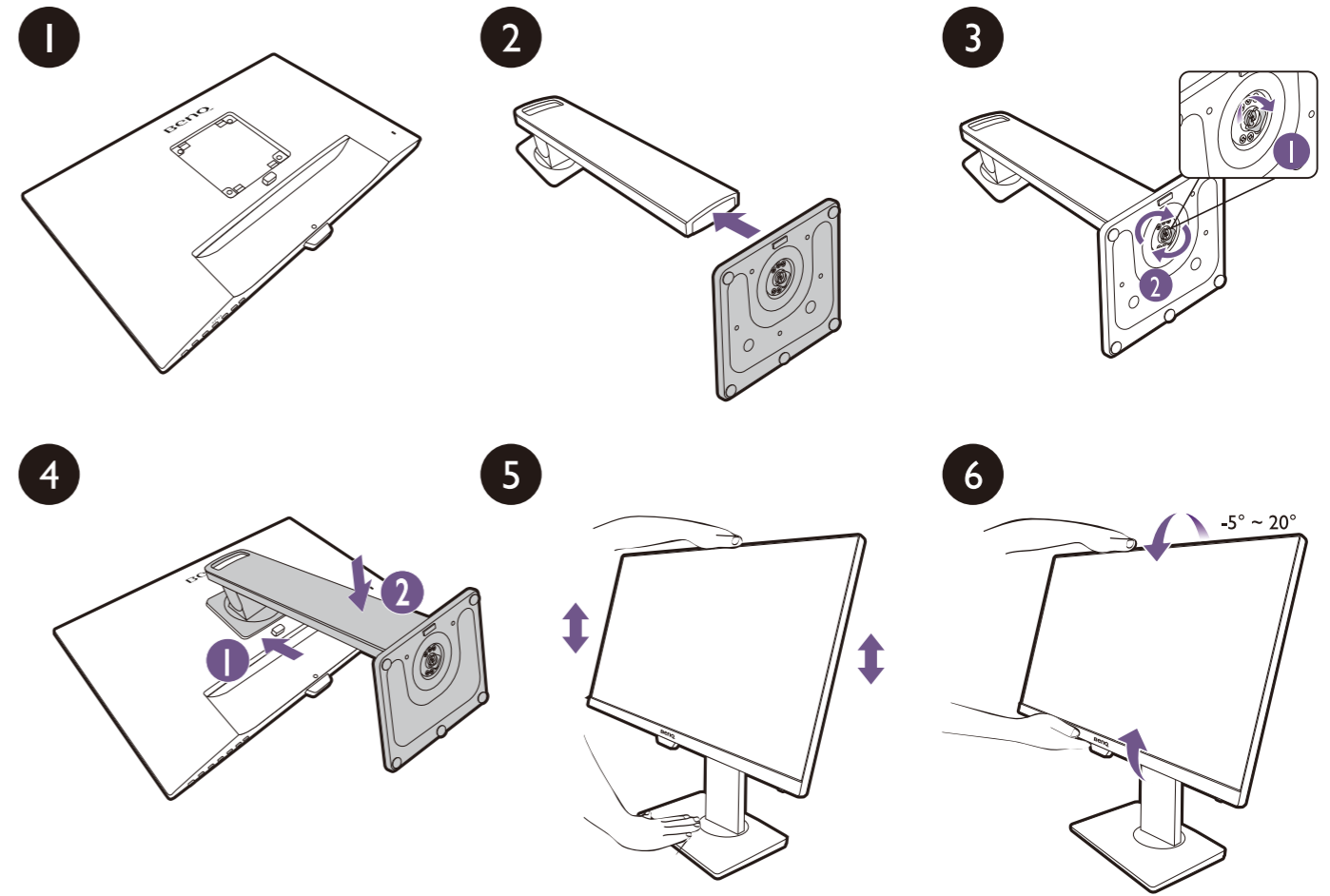
HDMI
(varies by region)



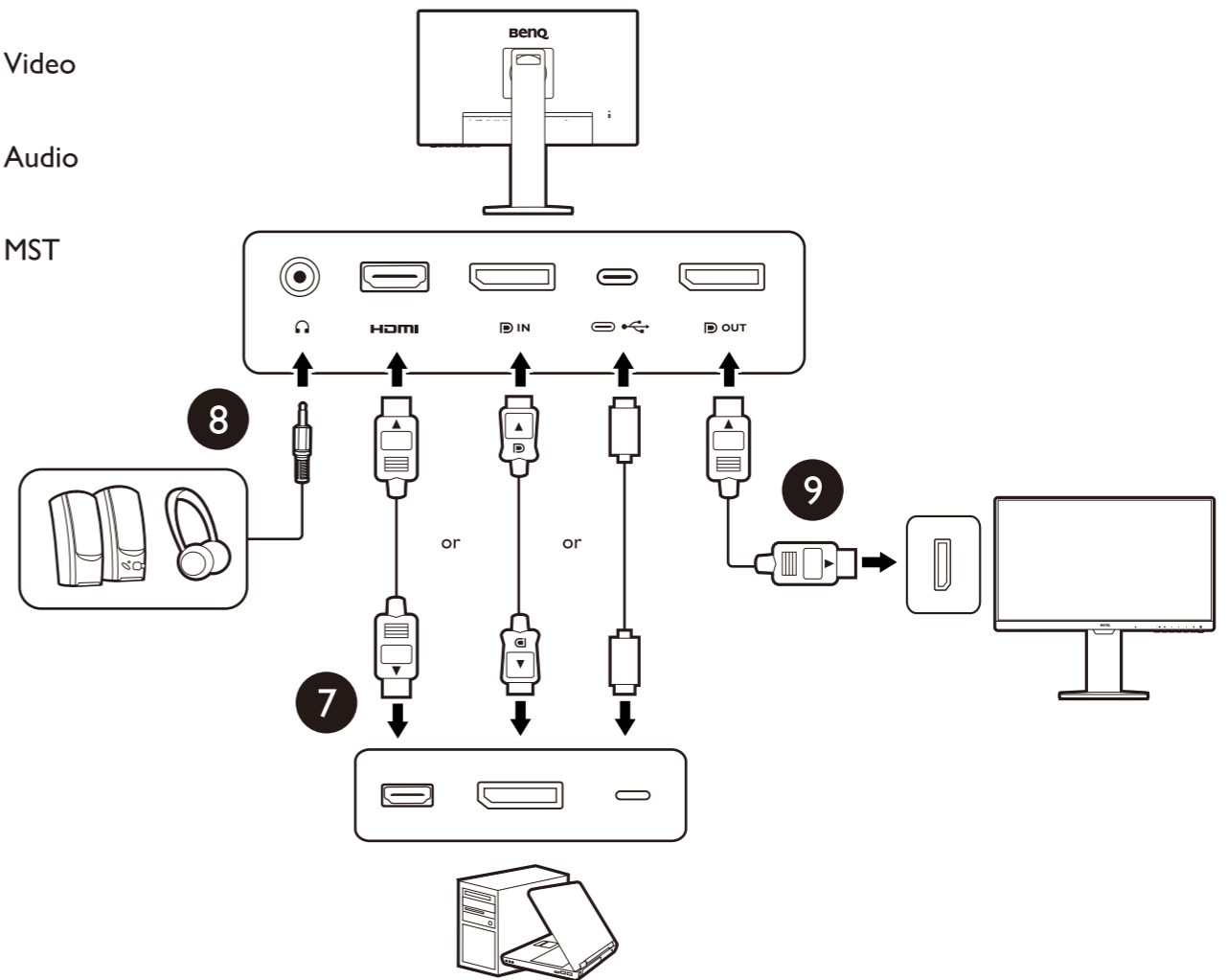
USB-C™
(varies by region)



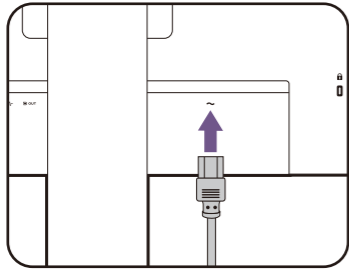
P/N: 4J.XXXXX.XXX



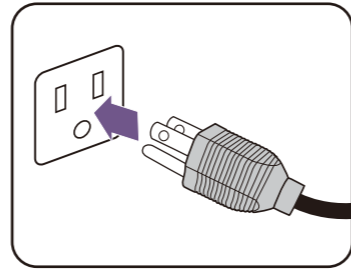
- 7 Video
- 8 Audio
- 9 MST



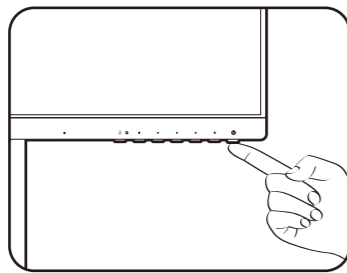
10



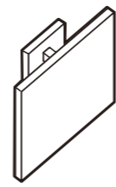
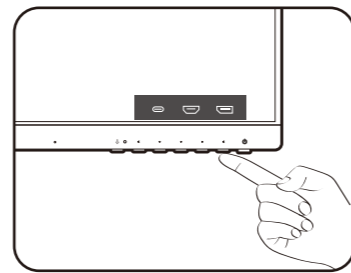
11



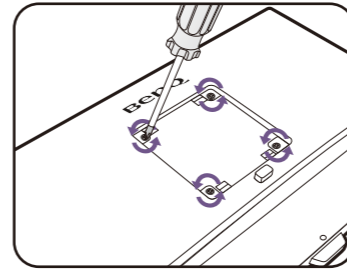
12



(DP / HDMI / USB-C™)

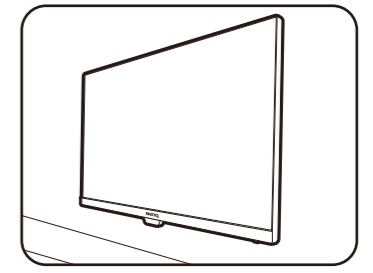


1

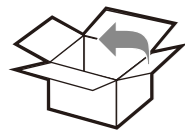
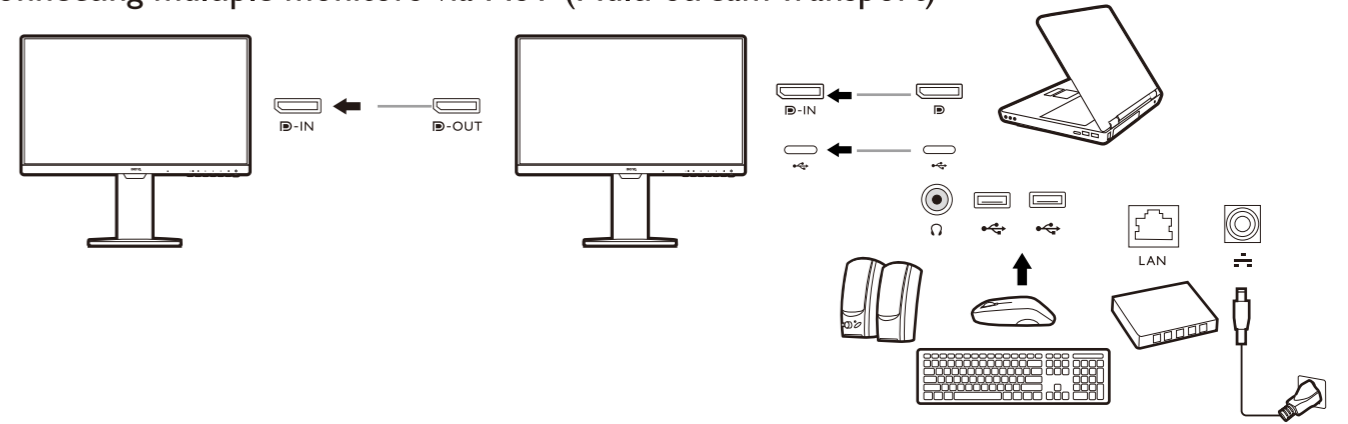


M4 x 10 mm

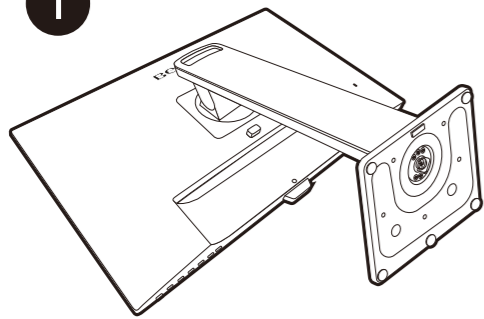
2



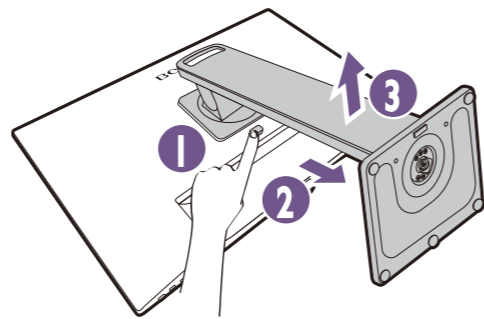
Connecting multiple monitors via MST (Multi-Stream Transport)



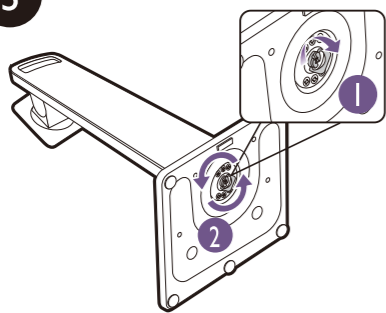
1



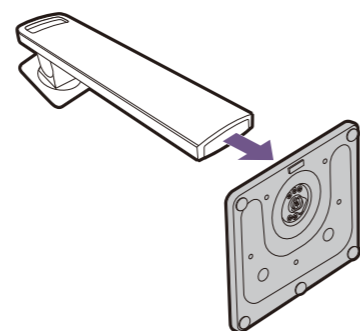
2



3

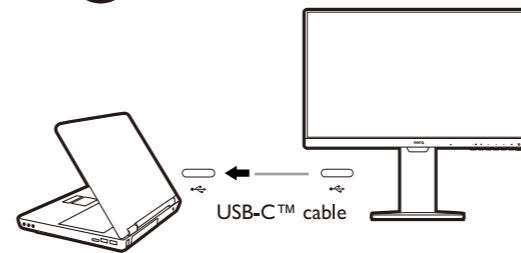


4

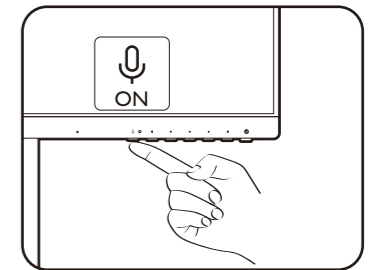


Working with built-in microphone

1



2



Support.BenQ.com



Online Manual



Product Support



Software Download