



## Quick Setup Guide

# LED LCD COMPUTER MONITOR

(LED Computer Monitor)

---

You can download manuals from the LGE website.

OWNER'S MANUAL AND REGULATORY INFO. are available at <https://www.lg.com/au/support/manuals>.

PLEASE READ SAFETY INFORMATION BEFORE INSTALLATION AND USE. SCAN QR CODE TO ACCESS.



22MR410

24MR400-BA

27MR400

24MR400-BB

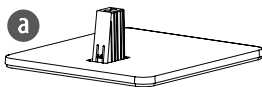
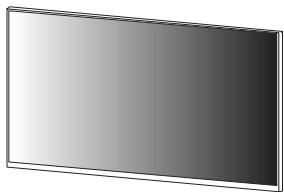


\* M B M 6 7 5 4 5 6 0 6 \*

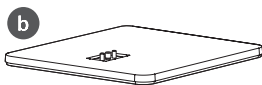
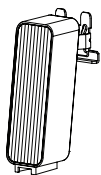
(2307-REV00)

[www.lg.com](http://www.lg.com)

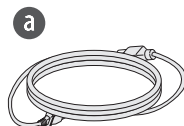
Copyright © 2023 LG Electronics Inc. All Rights Reserved.



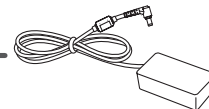
(22MR410 /  
24MR400-BA /  
24MR400-BB)



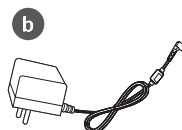
(27MR400)



+

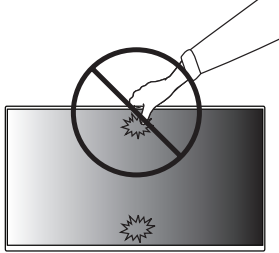


or



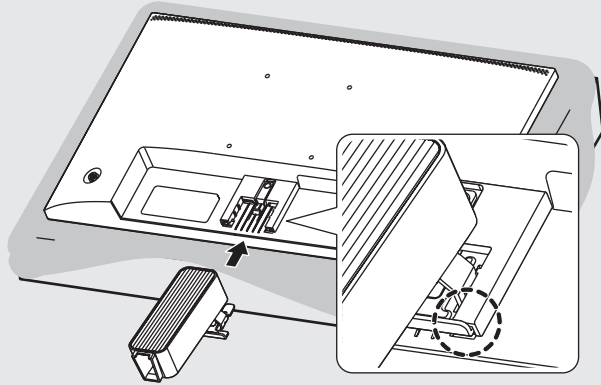
⊕ Depending on country

It is recommended that use the supplied components.



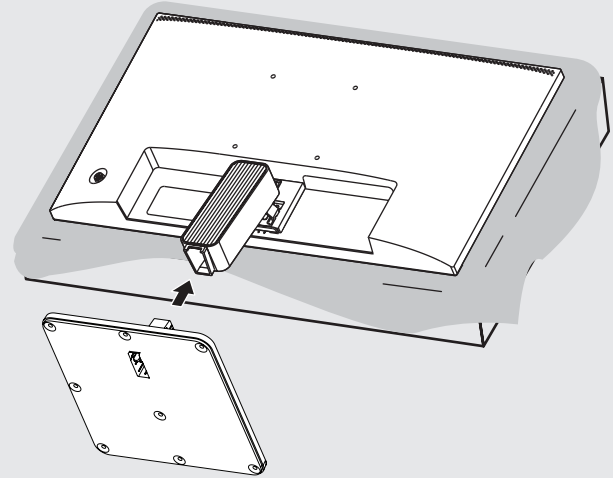


1



2-1

(22MR410)

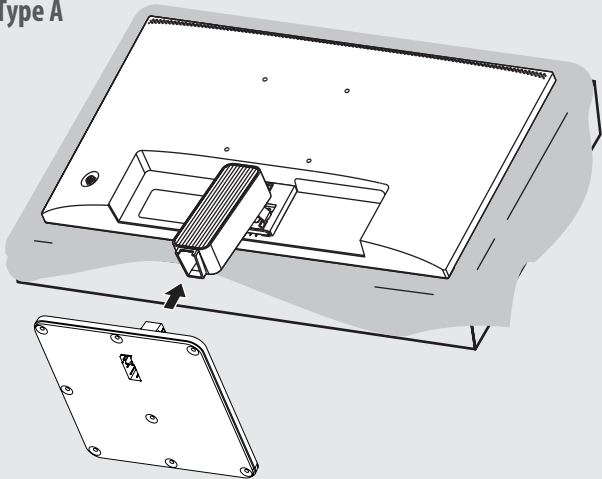




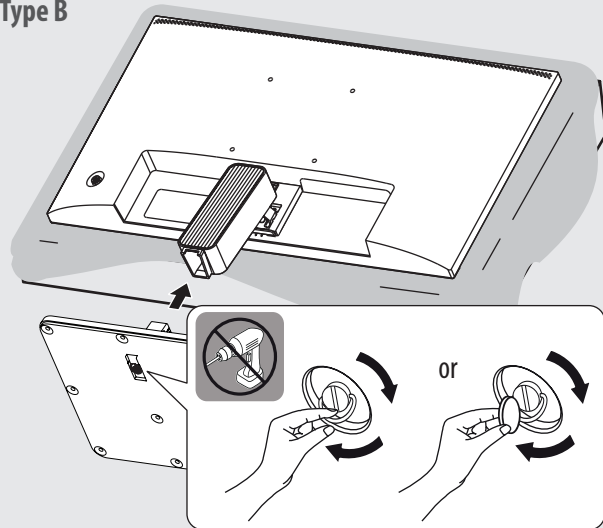
2-2

(24MR400-BA / 24MR400-BB)

Type A



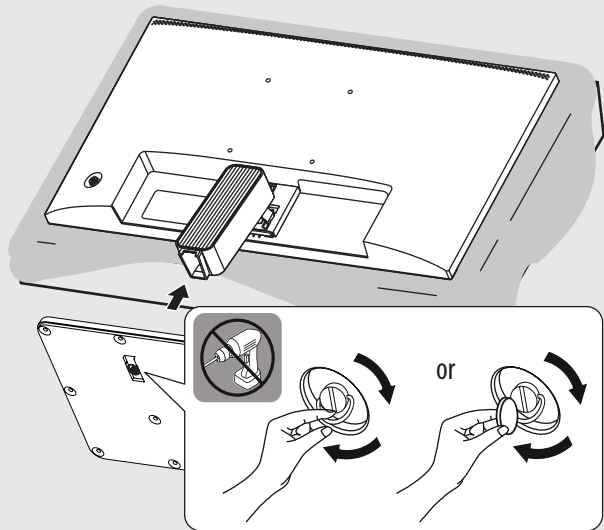
Type B



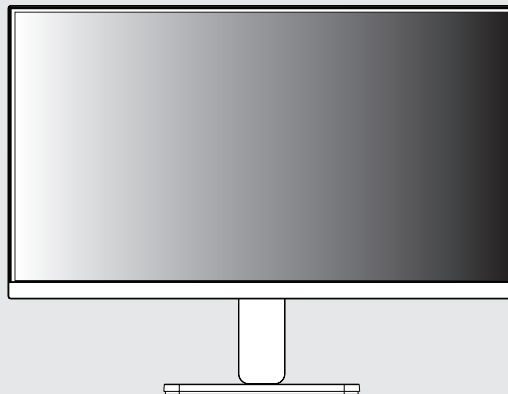


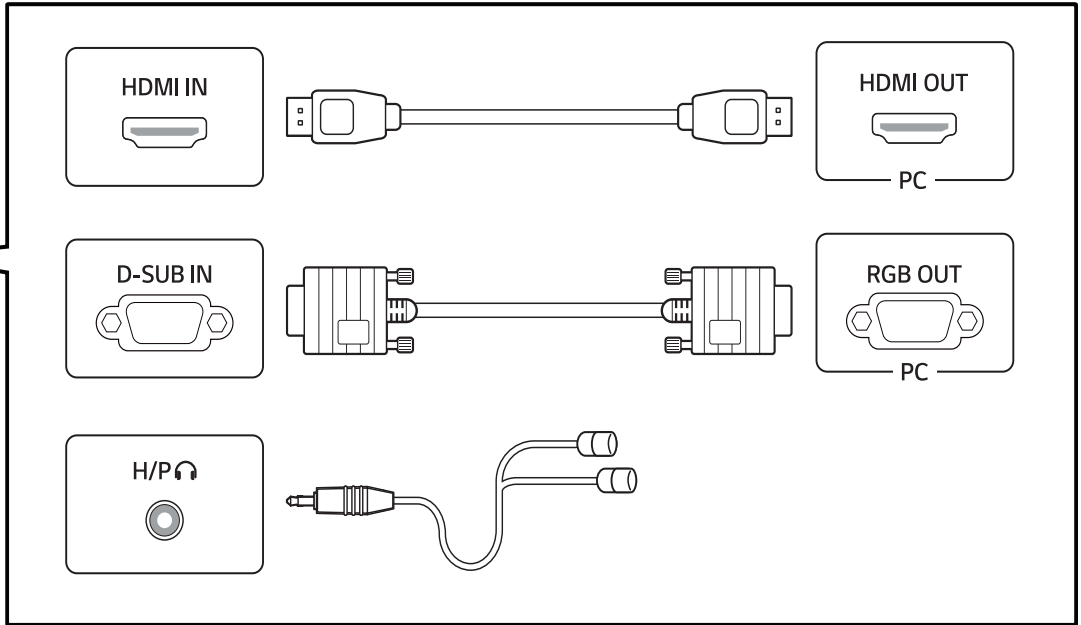
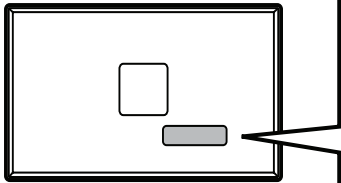
2-3

(27MR400)

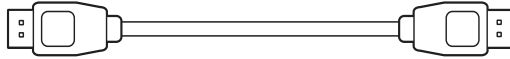


3





HDMI IN

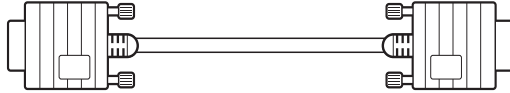


HDMI OUT



PC

D-SUB IN

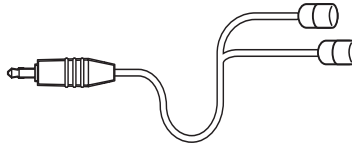


RGB OUT



PC

H/P



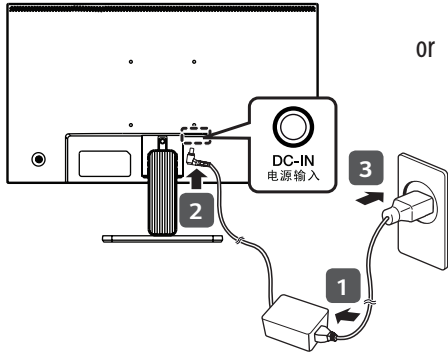


- Using a DVI to HDMI / DP (DisplayPort) to HDMI cable may cause compatibility issues.
- Make sure to use the supplied cable. Otherwise, this may cause the device to malfunction.





a



or

b

