

## User Manual

Y10E090-B1

Y10E091-B1

Y10E092-B1

# Table of Contents

	<u>Page</u>
<b>Rocstor Legal Disclaimer</b> - - - - -	<b>1</b>
<b>Important Safety Instructions</b> - - - - -	<b>2</b>
<b>Important Safety Information</b> - - - - -	<b>3</b>
<b>Introduction</b> - - - - -	<b>4</b>
<b>Feature Identification</b> - - - - -	<b>4</b>
<b>Hardware and Accessories</b> - - - - -	<b>5</b>
<b>Cage Nut installation</b> - - - - -	<b>5</b>
<b>Enclosure Installation</b> - - - - -	<b>6, 7</b>
<b>Ground The Cabinet</b> - - - - -	<b>8</b>
<b>Enclosure Configuration</b> - - - - -	<b>9, 10, 11</b>
<b>Wall Mounting the Enclosure</b> - - - - -	<b>12</b>
<b>Equipment Installation</b> - - - - -	<b>13, 14</b>
<b>Clearance for Enclosure Door Access</b> - - - - -	<b>15</b>
<b>Unit Dimension</b> - - - - -	<b>16, 17, 18</b>
<b>Warranty Information</b> - - - - -	<b>19</b>

# Rocstor Legal Disclaimer

The information presented in this manual is not warranted by Rocstor to be totally authoritative, error free, or complete. This publication is not meant to be a substitute for a detailed operational and a site-specific development plan for the use of the product. Therefore, Rocstor assumes no liability for damages, violations of codes, improper installation, system failures, or any other problems that could arise based on the use of this Manual.

THE WARRANTY AND REMEDIES SET FORTH ABOVE ARE LIMITED IN TIME TO THE DURATION OF THE WARRANTY AS STATED HEREIN AND IS EXCLUSIVE IN LIEU OF ALL OTHER WARRANTIES, LEGAL THEORIES, REMEDIES AND CONDITIONS, WHETHER ORAL OR WRITTEN, EXPRESS OR IMPLIED. IN NO EVENT SHALL ROCSTOR, OR ANY PARENT, AFFILIATE OR SUBSIDIARY COMPANY OF ROCSTOR OR THEIR RESPECTIVE OFFICERS, DIRECTORS, OR EMPLOYEES BE LIABLE FOR ANY DIRECT, INDIRECT, CONSEQUENTIAL, PUNITIVE, SPECIAL, OR INCIDENTAL DAMAGES, INCLUDING, WITHOUT LIMITATION, DAMAGES FOR LOSS OF BUSINESS, CONTRACTS, REVENUE, LOST PROFITS, DATA, INFORMATION, GOODWILL OR BUSINESS INTERRUPTION RESULTING FROM OR ARISING OUT OF THE USE OF THE PRODUCT OR FAILURE TO FOLLOW INSTRUCTIONS IN THE MANUAL.

FURTHERMORE, ROCSTOR SPECIFICALLY DISCLAIMS ANY AND ALL IMPLIED WARRANTIES INCLUDING, WITHOUT LIMITATION, WARRANTIES OF MERCHANTABILITY AND FITNESS FOR A PARTICULAR PURPOSE. IF ROCSTOR CANNOT LAWFULLY DISCLAIM SUCH IMPLIED WARRANTIES, THOSE IMPLIED WARRANTIES WILL BE LIMITED IN DURATION TO THE DURATION SET FORTH ABOVE.

FURTHER STILL, ROCSTOR RESERVES THE RIGHT TO MAKE CHANGES OR UPDATES WITH RESPECT TO THE CONTENT OF THE PUBLICATION OR THE FORMAT THEREOF AT ANY TIME AFTER PURCHASE WITHOUT NOTICE.

Some states and provinces do not allow the exclusion or limitation of incidental or consequential damages or exclusions or limitations on the duration of implied warranties or conditions, so the above limitations or exclusions may not apply to you. This warranty gives you specific legal rights and you may also have other rights that vary by state or province.

Copyright, intellectual, and all other proprietary rights in the content of the manual (including but not limited to software, audio, video, text, and photographs) rests with Rocstor or its licensor. All rights in the content are the property of Rocstor and are not granted, licensed, assigned or otherwise passed to the purchaser of the product or to persons having access to the information in the manual

# Important Safety Instructions

## **WARNING**

**Please follow the essential and important instructions in this manual. The information provides you useful instructions for installation and customization of the rack or equipment.**

- Always wear appropriate personal protective equipment (PPE) during installation or configuration of the cabinet.
- Install the enclosure in a controlled indoor environment—away from moisture, temperature extremes, flammable liquids or gases, conductive contaminants, dust, and direct sunlight.
- Ensure sufficient clearance at both the front and rear of the enclosure for proper ventilation.
- Do not block, cover, or insert objects into ventilation openings on any side of the enclosure, including the front and top.
- The contents of this package may be unstable—use extra caution when moving or unpacking the cabinet.
- Moving and unpacking should be done by two people for safety.
- Use a mechanical aid such as a forklift or pallet jack when transporting the enclosure.
- Do not place any objects—especially liquid containers—on top of the enclosure.
- Enclosures must not be stacked due to the risk of excessive weight and tipping.
- Install the cabinet in a structurally secure location that can support its weight along with all intended equipment.
- If placing the cabinet on a level floor, confirm that the floor can support the total load.
- For permanent wall-mounted installations, ensure the enclosure is securely fastened to the building structure.

# Important Safety Information

Please review and read the instructions very carefully in order to understand the specification of the equipment. This is essential information before installing, operating, servicing or maintaining your equipment. These messages or alerts may appear throughout this publication and manual for your purchased equipment. The messages are designed to warn you of possible hazards or to bring to your attention the information that would assist and clarify steps and procedures.



This symbol and label provides Danger or Warning safety which indicates an electrical hazard exists. If instructions are not fully followed, it may result in personal injury.



This is a safety alert symbol. It is used to alert you to potential personal injury hazards. Please follow the instructions very carefully and obey all safety messages that follow this symbol to avoid possible injury or death.

## **DANGER**

**DANGER** This symbol represents an imminently hazardous situation which, if not avoided, will result in death or serious injury. Please follow instructions carefully.

## **WARNING**

**WARNING** This symbol represents a potentially hazardous situation which, if not avoided, can result in death or serious injury. Please follow instructions carefully.

## **CAUTION**

**CAUTION** This symbol indicates a potentially hazardous situation which, if not avoided, can result in minor or moderate injury.

## **CAUTION**

**CAUTION**, This symbol is used without the safety alert symbol, indicates a potentially hazardous situation which, if not avoided, can result in equipment damage. Please follow instructions carefully. Please follow instructions carefully.

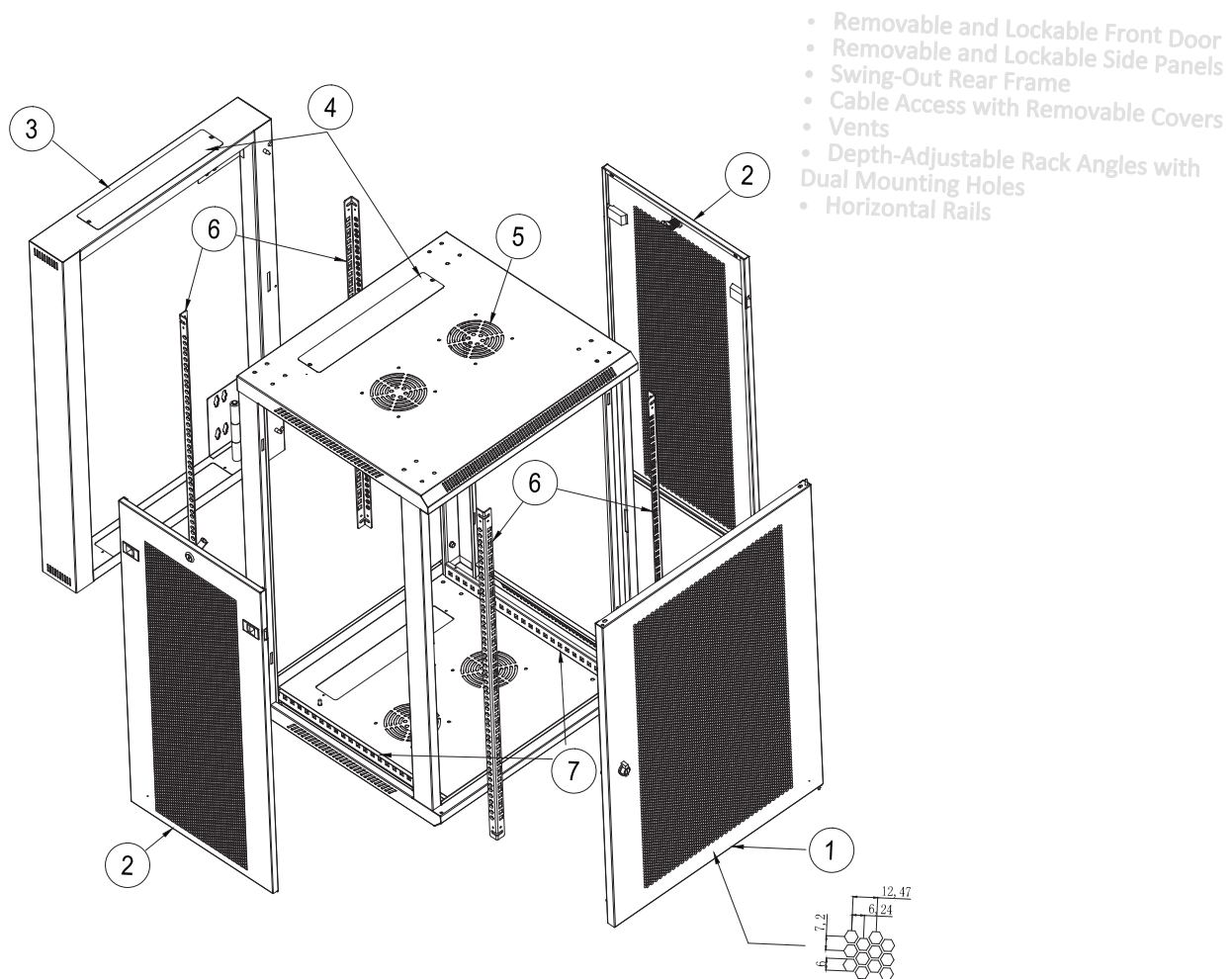
## **NOTICE**

**NOTICE** This symbol provides informations and practices not related to physical injury including certain environmental hazards, potential damage or loss of data. Please follow instructions carefully.

# Introduction

Rocstor SolidRack assembled wall-mount rack enclosure is a non-swinging cabinet which is ideal for retail, educational facilities and healthcare. It accommodates all standard 19-inch rack-mount equipment, and it ships fully assembled for easy deployment and installation. This rack cabinet is wall mountable which is ideal for areas with limited floor space. It is designed specifically for servers and network switches, and patch panels. This rack enclosure can also be placed on the floor with an optional rolling caster kit for easy maneuvering of the enclosure. The cabinet's door is reversible. Optional 120V dual fan that can be mounted on top (sold separately). Rocstor SolidRack cabinets are built strong and reliable with a 200lb weight capacity, 19" rack width, ships fully assembled, ventilated, and provides fan and other accessory integration options. This SolidRack enclosure is backed by Rocstor's 5-year warranty and lifetime technical support.




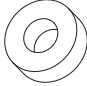



## Feature Identification



- 1. Removable and Lockable Front Door**
- 2. Removable and Lockable Side Panels**
- 3. Swing-Out Rear Frame**
- 4. Cable Access with Removable Covers**
- 5. Vent**

- 6. Depth-Adjustable Rack Angles with Dual Mounting Holes**
- 7. Horizontal Rails**

# Hardware and Accessories

QTY		
Qty Varies from <b>4x</b> for 12U to <b>8x</b> for 15U&18U		Expansion Bolt
Qty Varies from <b>24x</b> for 12U, <b>30x</b> for 15U, <b>42x</b> for 18U		M6 Screw
Qty Varies from <b>24x</b> for 12U, <b>30x</b> for 15U, <b>42x</b> for 18U		M6 cage nut
Qty Varies from <b>24x</b> for 12U, <b>30x</b> for 15U, <b>42x</b> for 18U		Plastic washer
Qty Varies from <b>24x</b> for 12U, <b>30x</b> for 15U, <b>42x</b> for 18U		12-24 Screw
2		Key for front door
2		Key for side panels

## Cage Nut Installation

**To ensure proper and secure installation, cage nuts need to be installed horizontally as shown below. Installing cage nuts in the incorrect orientation can cause injury or equipment damage.**



**Note:** You may wish to use a cage nut tool (user-supplied) to aid cage nut installation and removal.

# Enclosure Installation

## CAUTION

**CAUTION**, This symbol is used without the safety alert symbol, indicates a potentially hazardous situation which, if not avoided, can result in equipment damage. Please follow instructions carefully. Please follow instructions carefully.

## NOTICE

**NOTICE** This symbol provides informations and practices not related to physical injury including certain environmental hazards, potential damage or loss of data. Please follow instructions carefully.

## Tools Requirement & Preparation for Installation

Make sure you inspect the area that this cabinet will be installed. This enclosure should be installed in a structurally sound area that can handle the load and the weight of the cabinet. If you place the cabinet on a level floor, make sure the floor can bear the weight of the enclosure, all equipment that will be installed in the enclosure. For permanent wall mount installation, make sure to securely fasten the enclosure to the building structure.

The following tools are required for proper installation:

- Level (not included)
- Phillips-head screwdriver (not included)
- Appropriate tools for wall mounting (not included)
- Appropriate hardware for wall mounting (not included)

# Enclosure Installation

## **WARNING**



**Use at least two people to unpack the enclosure.**



## Move the Cabinet

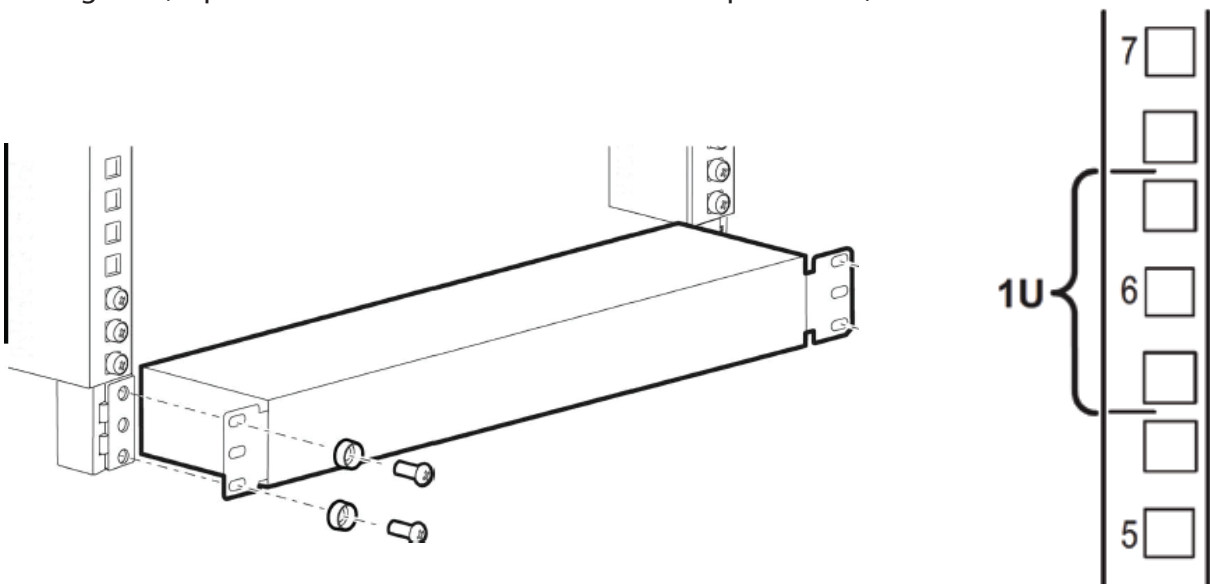
### TIP/ HEAVY EQUIPMENT HAZARD

- Be extremely cautious when moving or unpacking this rack/cabinet.
- When moving or unpacking this cabinet. Two people are preferred and are required to move and unpack the cabinet.
- Make sure the leveling feet are up when moving or pushing the cabinet. DO NOT push the cabinet from its sides.

**Not following these instructions carefully, it can result in death, serious injury, or equipment damages.**

## Customer Equipment Installation

- Review the equipment manufacturer's installation instructions.
- Locate the top and bottom U-space on the vertical mounting rails. Every third hole on the mounting rails is numbered to indicate the middle of a U-space.
- Install the cage nuts on the interior of the vertical mounting rail; then install the equipment.  
(To remove a cage nut, squeeze the sides to release it from the square hole.)



# Ground the Cabinet

  **DANGER**

## HAZARD OF ELECTRIC SHOCK

Connection of the cabinet to building Common Bonding Network (CBN) is required.  
**Failure to follow these instructions will result in death or serious injury.**

## Ground Connection

SolidRack uses the most reliable and quality material. All the doors and parts of the enclosure are grounded to the frame of the enclosure. To connect the enclosure to the facility's ground, use the grounding nut in the enclosure. The grounding point is marked in the enclosure with the ground symbol shown below.

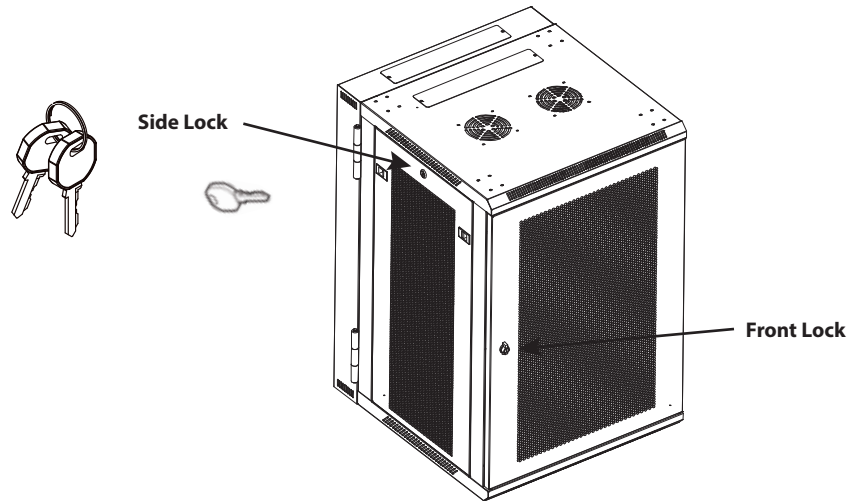


# Enclosure Configuration

Plan for your installation in advance and make sure all mounting rails are adjusted or reversed for your required depth per your configuration needs.

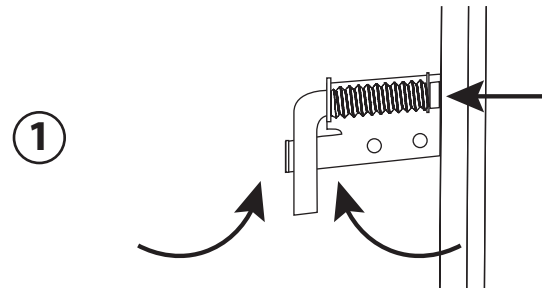
## Door Locks Access

Front and side doors have locks for added security. Each enclosure cabinets includes two keys that are able to open all the locks.

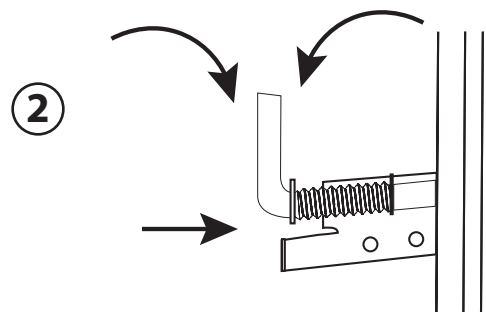


*This cabinet's side panel locks use an L-shaped lever which is attached on the inside of the enclosure.*

**1-** In order to unlock and remove the side panels, you must first lift the leg that is shorter of the "L" up and then pull it away from the side panel. Then you must pull the tab that is located on the side panel and at that time you may remove it from the enclosure.



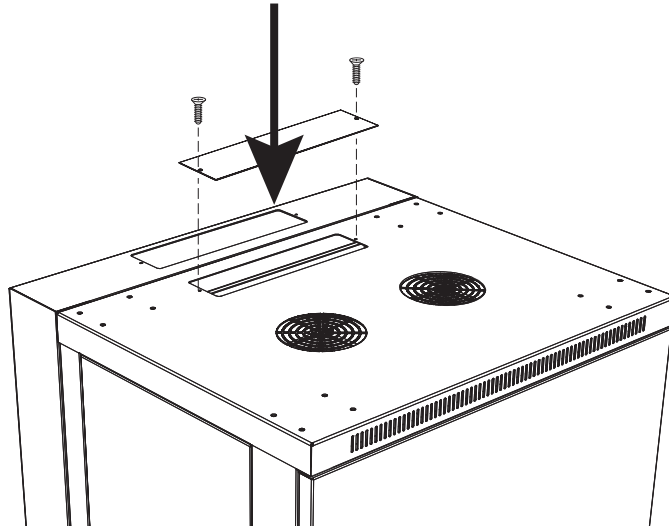
**2-** In order to lock the side panels back on the cabinet, first place it and secure it in the correct position, then lift the shorter side of the "L" up and slowly push it toward the side panel hole position. Make sure the long side of the "L" is correctly positioned in the panel hole. The last step is to push the shorter side of the "L" down in order to securely lock it in its position.



# Enclosure Configuration

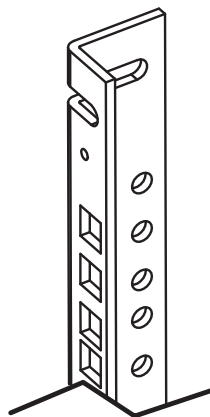
## Configuring Cable Access

Rocstor SolidRack provides an easy cable management configuration. The rectangular opening of top of the cabinet provides an easy access for cable management. The rectangular opening can easily be removed or installed back by unscrewing or screwing in the removable cable access panel.



## Mounting Rails Installation

Before you mount rails or install any hardware, please make sure you have securely mounted the cabinet to the wall or have positioned the cabinet on the floor. You must also have all the right adjustments on your rails prior installation and mounting your equipment into the rack.



# Enclosure Configuration

## Rail Adjustment

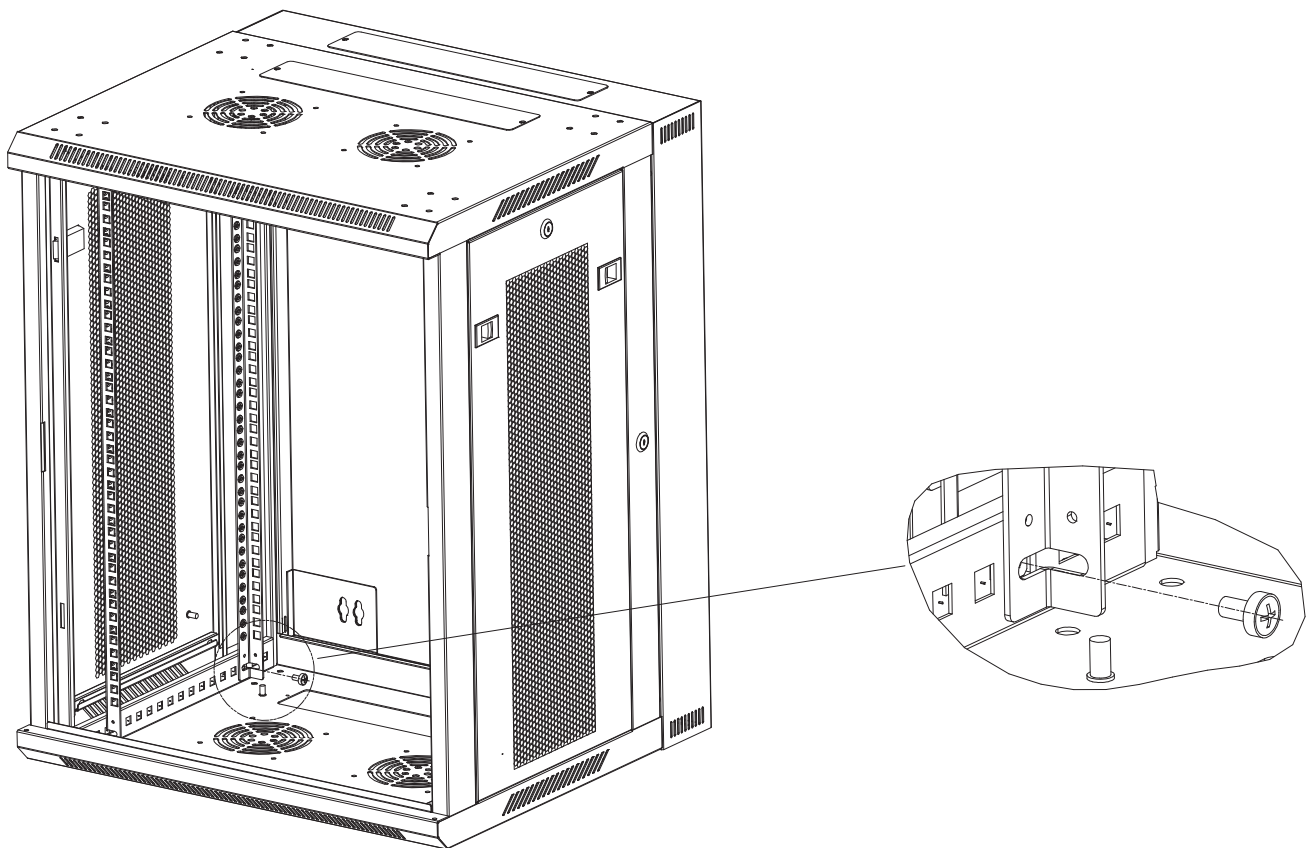
**WARNING: Do not adjust the rails while equipment is installed in the enclosure. Rails must not be used without both screws installed (2 per rail).**

Depending on the model, your cabinet will include either two or four pre-installed mounting rails. The default mounting depth varies by model. Only adjust the rails if your equipment requires a different depth. Front and rear rail sets can be independently adjusted in 1/4-inch (6mm) increments.

**1-** Each rail is secured with 2 screws and 2 cage nuts — one set at the top and one at the bottom. Using a Phillips-head screwdriver, remove the screws.

**2-** Adjust and install the cage nuts to the required depth.

**3-** Place and slide the rails to the required depth. Install the mounting rails and use the screws that was removed originally.



# Wall Mounting the Enclosure

## WARNING

Install the appropriate hardware (not included) to the wall. Follow all local regulations. Refrain from mounting the enclosure cabinet to the wall with equipment in the cabinet.

### IMPORTANT WARNINGS:

#### Mounting Information

The number of keyhole cutouts on the back of the enclosure varies by model. Each keyhole is compatible with M8, M10, 5/16", or 3/8" bolts. Horizontal spacing between holes is fixed at 16 inches to match standard wall stud placement. Vertical spacing will differ depending on your model.

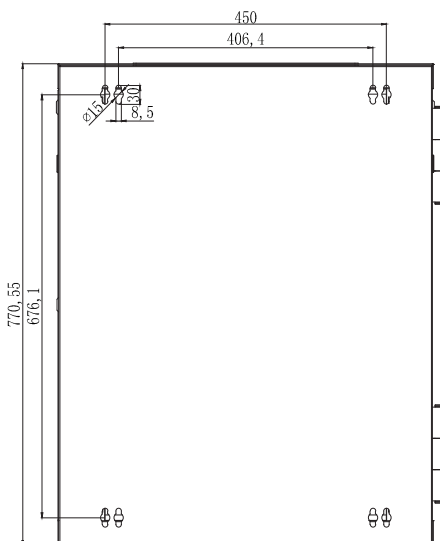
#### Note:

Installation must be performed by a qualified technician. Before mounting, use a level and tape measure to ensure accurate alignment of the mounting location.

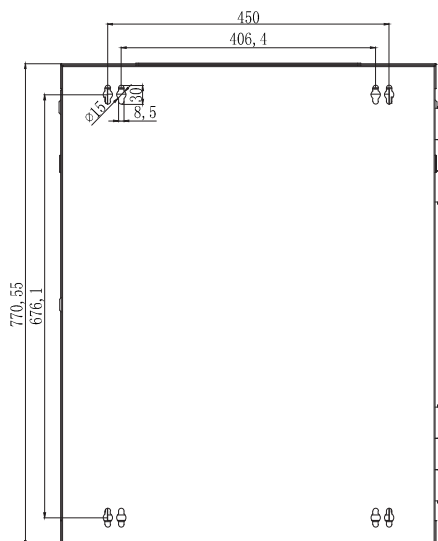
Use appropriate fasteners (not included) and a minimum of four fasteners with properly sized fender washers. Select mounting hardware suited for the surface type—drywall, wood studs, concrete, or cinder block.

#### Warning:

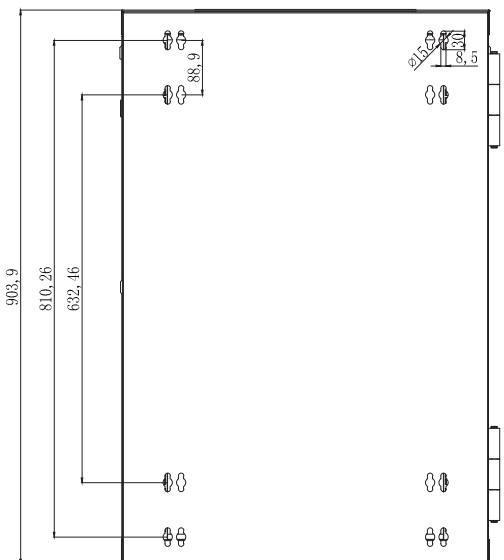
The wall or mounting surface must safely support the total weight of the enclosure, including all equipment and attached components. For detailed specifications, dimensions, and weight capacity, visit [www.rocstor.com/support](http://www.rocstor.com/support).



PN: Y10E092-B1



PN: Y10E091-B1

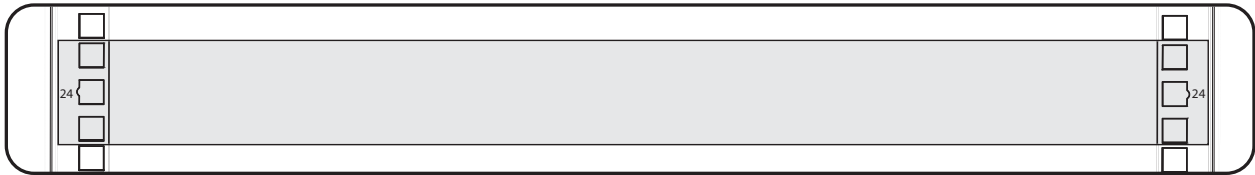


PN: Y10E090 -B1

# Equipment Installation

## Installing your Equipment

**IMPORTANT:** Before installing your equipment, ensure that the enclosure is securely mounted and stabilized. When utilizing sliding equipment rails, exercise caution while extending them. Refrain from extending more than one set of sliding equipment rails simultaneously, and avoid extending them near the top of the enclosure.



For ease of use, each rack unit is clearly indicated on the rail. To install your equipment, carefully lower it into the enclosure and place it on the mounting rails. Ensure that the mounting holes on your equipment align with the corresponding holes on the mounting rails while staying in line with the rail markings. Utilize the provided hardware or compatible hardware that came with your component to securely fasten your equipment to the rack rails.

## Installing and Removing Cage Nuts

To Remove Cage Nuts:

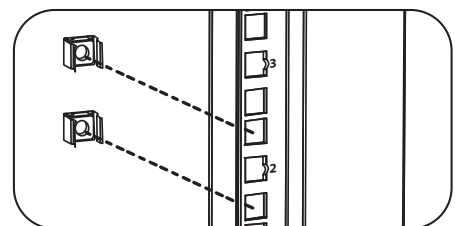
Simply reverse Steps 1–3. A cage nut tool (not included) is recommended to make installation and removal easier.

### Warning:

**Cage nut flanges must engage the sides of the square rail openings—not the top and bottom. Improper installation may cause equipment to be improperly mounted. Always refer to your equipment documentation for proper mounting instructions.**

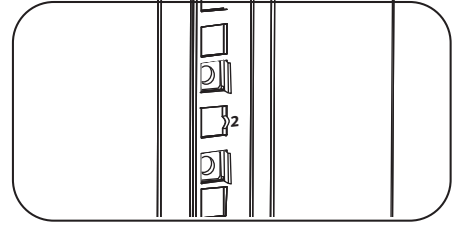
1. Identify the numbered square openings in the mounting rails where your equipment will be installed. Insert cage nuts (included) into these openings to create mounting points for the screws (also included).

Note: Check your equipment documentation to determine how many cage nuts are required and their correct locations.

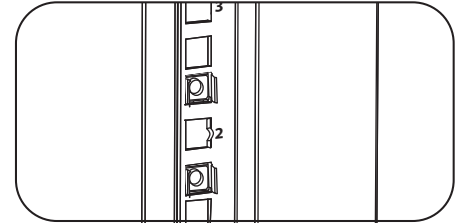


# Equipment Installation

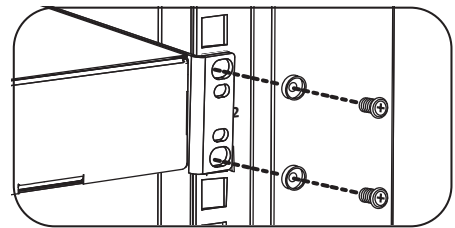
2. From the inside of the rail, insert one flange of the cage nut into the square opening and press it against the side of the cutout. Ensure it engages the side of the opening, not the top or bottom.



3. Gently compress the cage nut from the sides to insert the second flange. Once properly installed, both flanges should protrude through the square opening and be visible from the outer side of the rail. Repeat Steps 1–3 for all necessary cage nuts.



4. After all the cage nuts are installed, use the provided black mounting screws and cup washers to secure your equipment to the rails. Position the cup washers between the screws and your equipment's mounting brackets.



**Note:** Some equipment may come with its own mounting hardware. Refer to your equipment's manual for specific installation requirements.

## Alternate Mounting: Using Tapped Hole Mounting Rails

**WARNING:** Do not adjust mounting rails while equipment is installed in the enclosure. Do not use rails without both screws properly secured (2 per rail).

By default, the enclosure's two mounting rails are pre-installed with the square hole side facing inward for standard cage nut installation. To switch to the tapped hole side, follow these steps:

1. Using a Phillips-head screwdriver, remove the two screws securing each rail—one at the top and one at the bottom.
2. Reverse the rail positions so the tapped hole side faces the front door of the enclosure.
3. Reattach the rails in their new orientation using the screws you removed in Step 1.
4. Use the included silver mounting screws to secure your equipment to the tapped holes. Place the cup washers between the screws and the equipment's mounting brackets.

**Note:** Your equipment may include its own mounting hardware. Always refer to the manufacturer's installation instructions before proceeding.

# Recommended Clearance for Enclosure Door Access

To ensure proper access and safe operation of the enclosure, maintain the following minimum clearances:

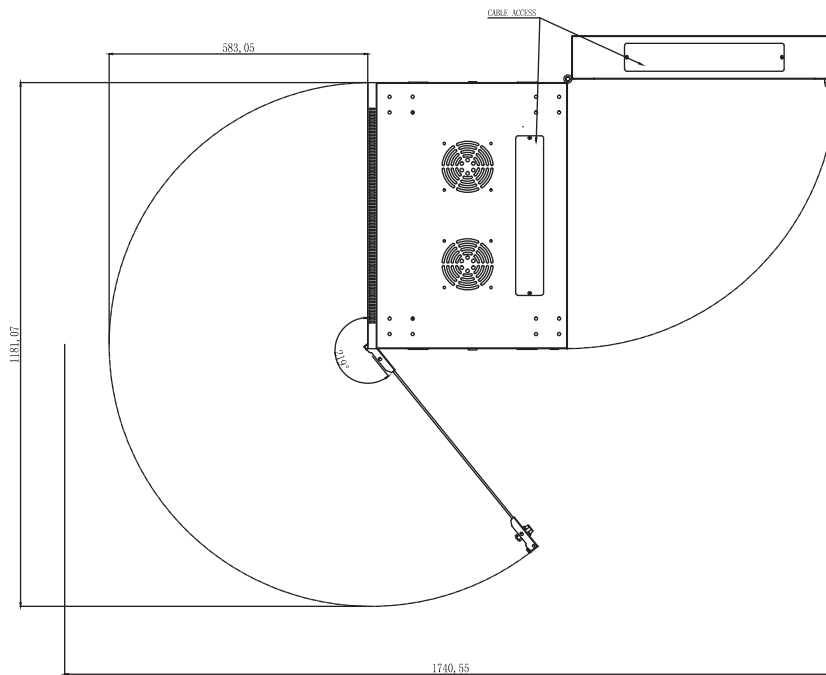
**Front Door Clearance:** Minimum of 26.6 in (675 mm) to fully open the front door.

**Side Door Clearance:** Minimum of 21.6 in (550 mm) on each side for full side panel removal.

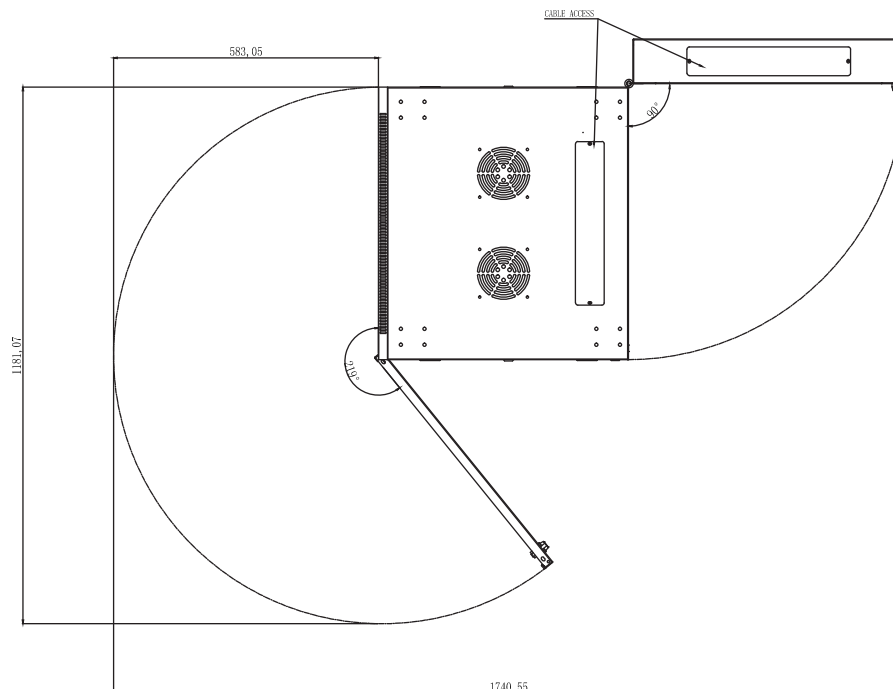
**Rear Door Clearance:** Minimum of 23.0 in (585 mm) to open the rear door and access cable management or rear-mounted equipment.

Be sure to allow additional space for airflow, installation, and routine maintenance. Check surrounding walls, fixtures, or equipment for possible obstructions before placing or mounting the unit.

**PN: Y10E090-B1  
Y10E091-B1**



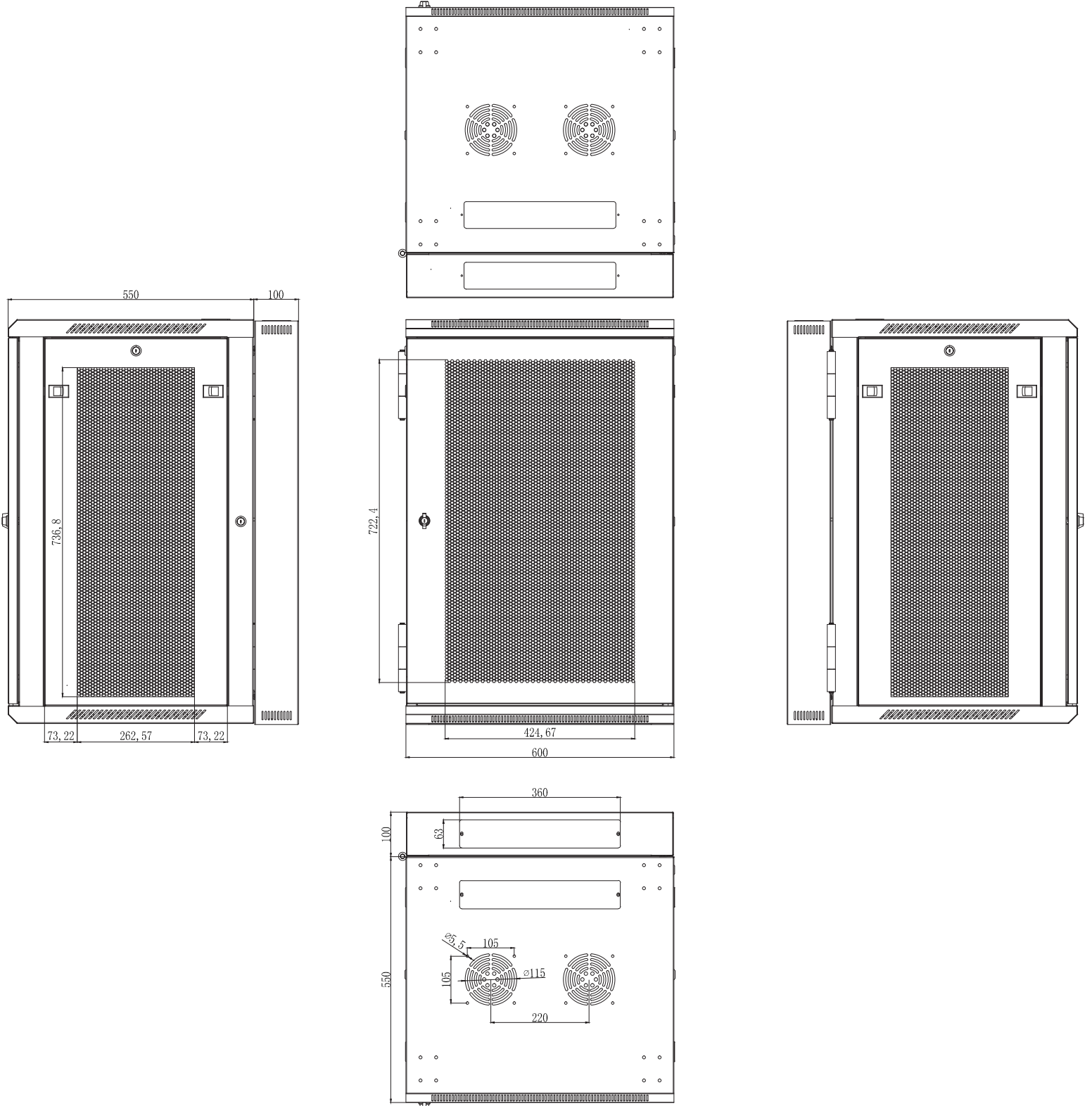
**PN: Y10E092-B1**



# Unit Dimension

Dimension Unit : Millimeter (mm)

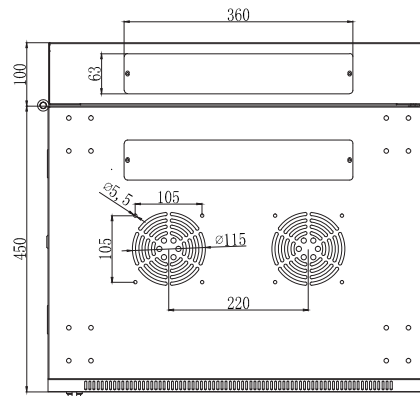
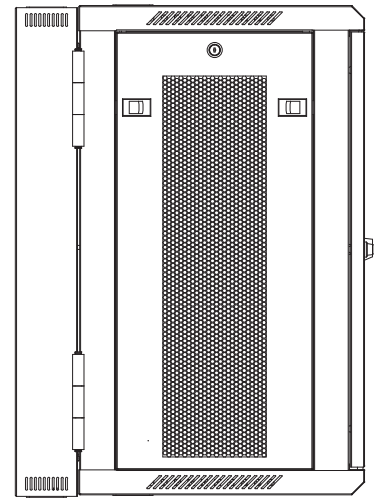
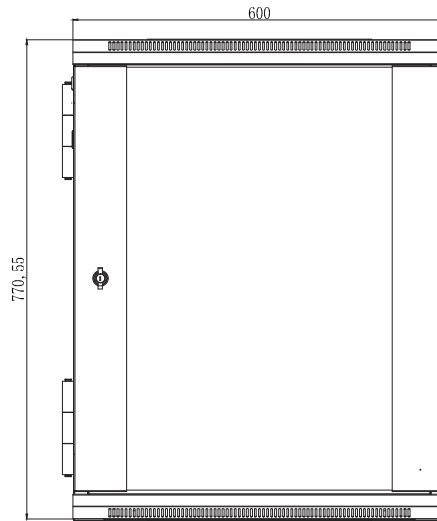
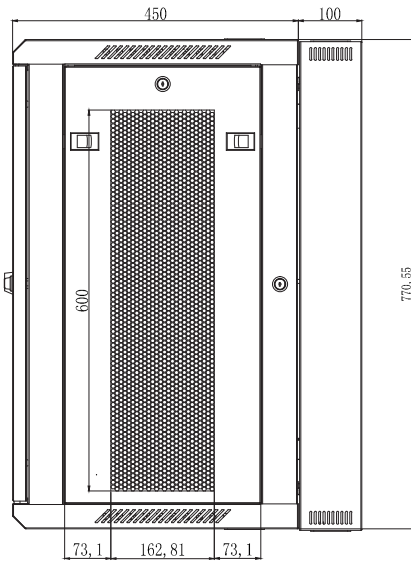
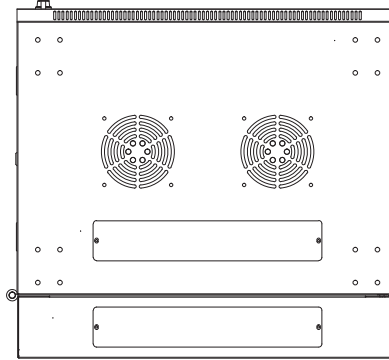
PN: Y10E090-B1



# Unit Dimension

Dimension Unit : Millimeter (mm)

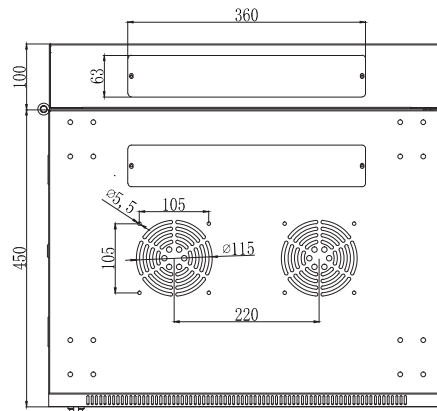
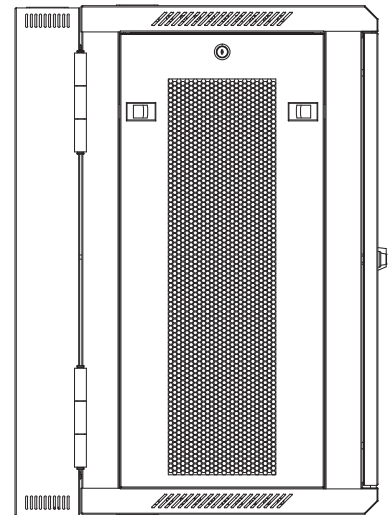
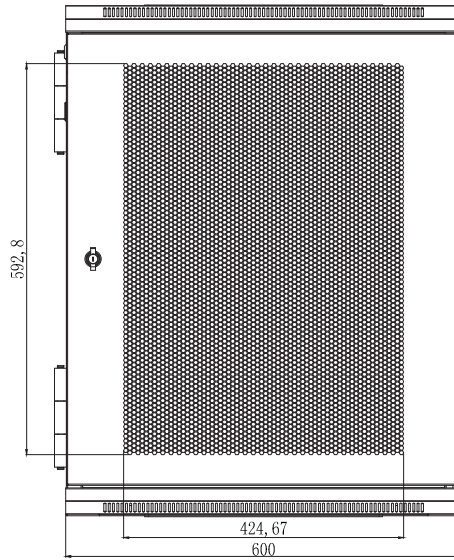
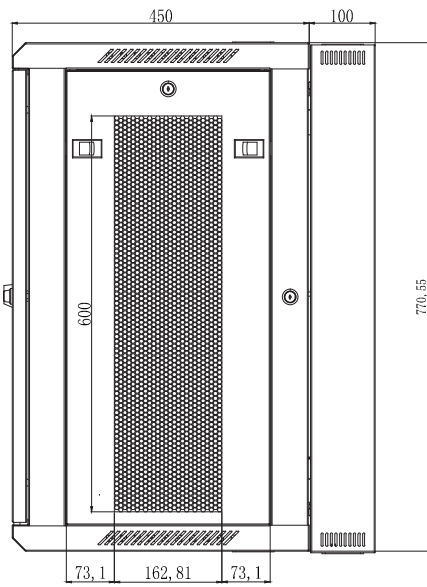
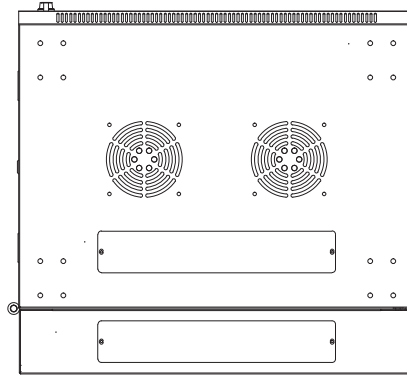
PN: Y10E091-B1



# Unit Dimension

Dimension Unit : Millimeter (mm)

PN: Y10E092-B1



# Five-Year Factory Warranty

Rocstor provides a Limited Factory Warranty which applies to products you have purchased for commercial or industrial use in the ordinary course of your business.

## Terms of warranty

Rocstor warrants its SolidRack product series to be free from defects in materials and workmanship for a period of five years from the date of purchase. Rocstor's obligation under this warranty coverage is limited to repairing or replacing, at its sole discretion, any such defective products. This warranty does not apply to equipment that has been damaged by accident, negligence, or misapplication or has been altered or modified in any way. In the event Rocstor repairs or provides a replacement of a defective product or part, the warranty does not extend the original warranty period. Rocstor reserves the right to repair or replace any parts under warranty as new or factory re manufactured.

## Non-transferable warranty

This warranty extends only to the original purchaser who must have properly registered the product. The product may be registered at the Rocstor Web site, [https://rocstor.com/customer-support/warranty registration](https://rocstor.com/customer-support/warranty-registration).

## Exclusions

If Rocstor tests or examines the alleged defect in the product and finds that the damages or defects do not exist or were caused by a third party or an end user's misuse, improper installation or testing, or negligence, then Rocstor shall not be liable under the warranty. Furthermore, unauthorized attempts to repair or modify the product by wrong or inadequate electrical connection or voltage, inadequate or inappropriate site operation conditions, repair, installation corrosive area or atmosphere, a change in location or operating conditions or use, repair by non-Rocstor designated personnel, exposure to the elements, fire, Acts of God, theft, or equipment installation not recommended or contrary to Rocstor's specifications or recommendations. Warranties will be void and Rocstor will not be liable if the product serial number is tampered with, altered, removed, defaced or any other cause beyond the range of intended use.

# Contact Information

## Corporate Headquarters

12979 Arroyo Ave  
San Fernando, CA 91340 - USA

Office: +1 (818) 727-7000  
Fax: +1 (818) 875-0002  
Email: info@Rocstor.com

## Technical Support / RMA

Hours: 9:00 am - 5:00 pm PST  
Mon - Fri (excluding holidays)

Tell: +1 (818) 727-7000 (Domestic and Internationals)  
Fax: +1 (818) 875-0002  
Email: support@Rocstor.com

## Sales Info

Hours: 8:00 am - 5:00 pm PST  
Mon - Fri (excluding holidays)

Tell: +1 (818) 727-7000 (Domestic and Internationals)  
Fax: +1 (818) 875-0002  
Email: support@Rocstor.com

## Corporate, Government and Academic Customers

Our Corporate Sales Team's goal is to help our U.S.A. and Canadian customers find a storage solution that best serves their needs. We will help you determine your best purchasing options. For more information please contact the appropriate department below or call us at +1 (818) 727-7000.

General sales information:	sales@Rocstor.com
Corporate sales information:	corporate_sales@Rocstor.com
Educational sales information:	academic_sales@Rocstor.com
Federal, State & Local government sales information:	government_sales@Rocstor.com

## Resellers/Business Development/OEM Partners

All Channel National and International Resellers, VARs, Consultants ...

contact Rocstor Channel Sales:	call: +1 (818) 727-7000
	Email: reseller_info@Rocstor.com