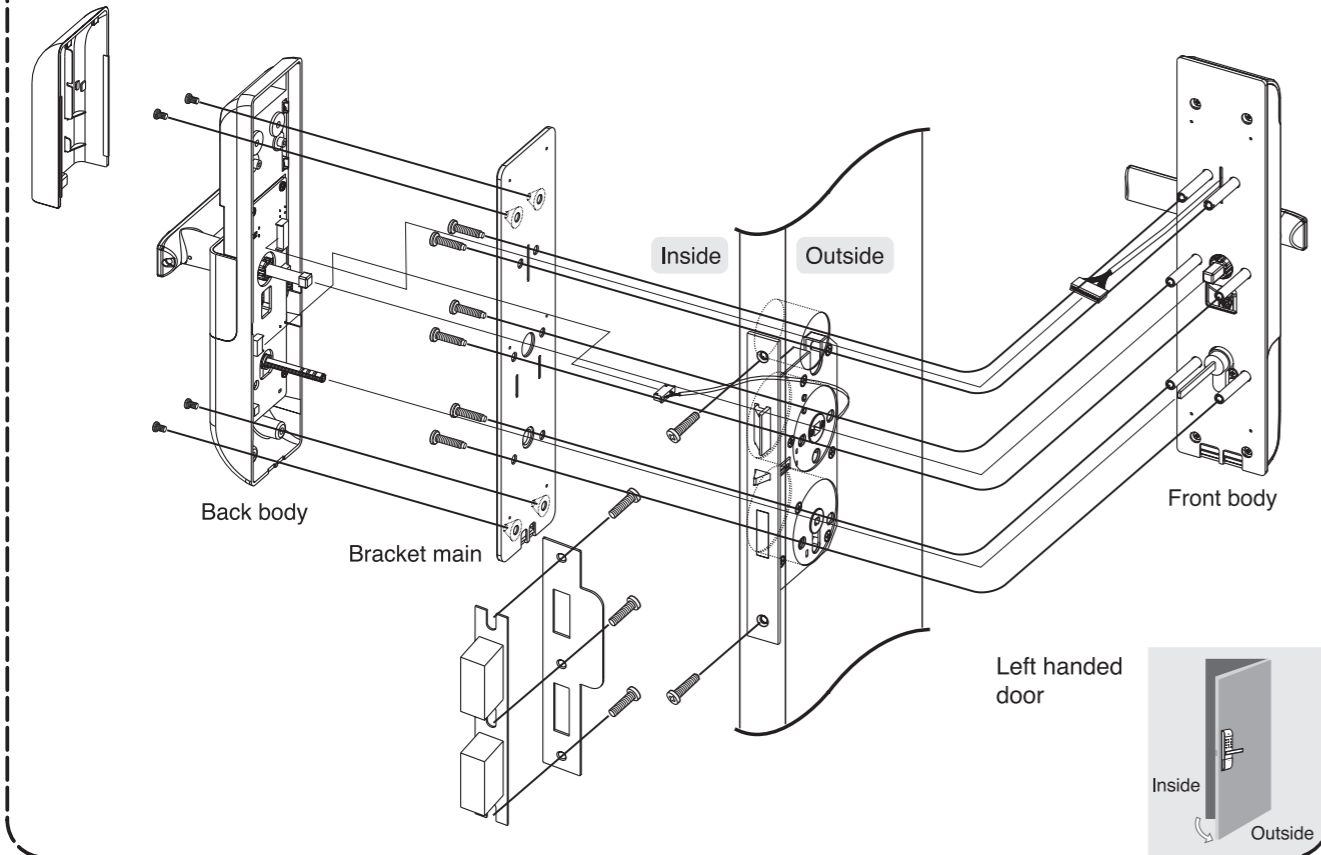


Installation view

※ Factory default : Left handed door

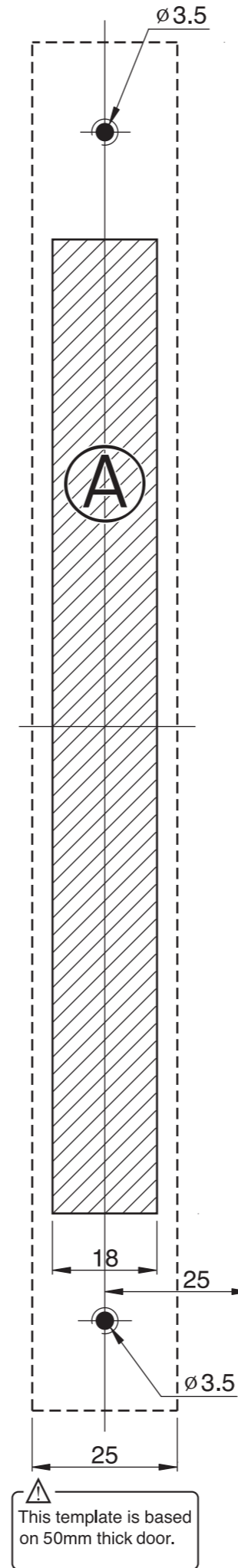
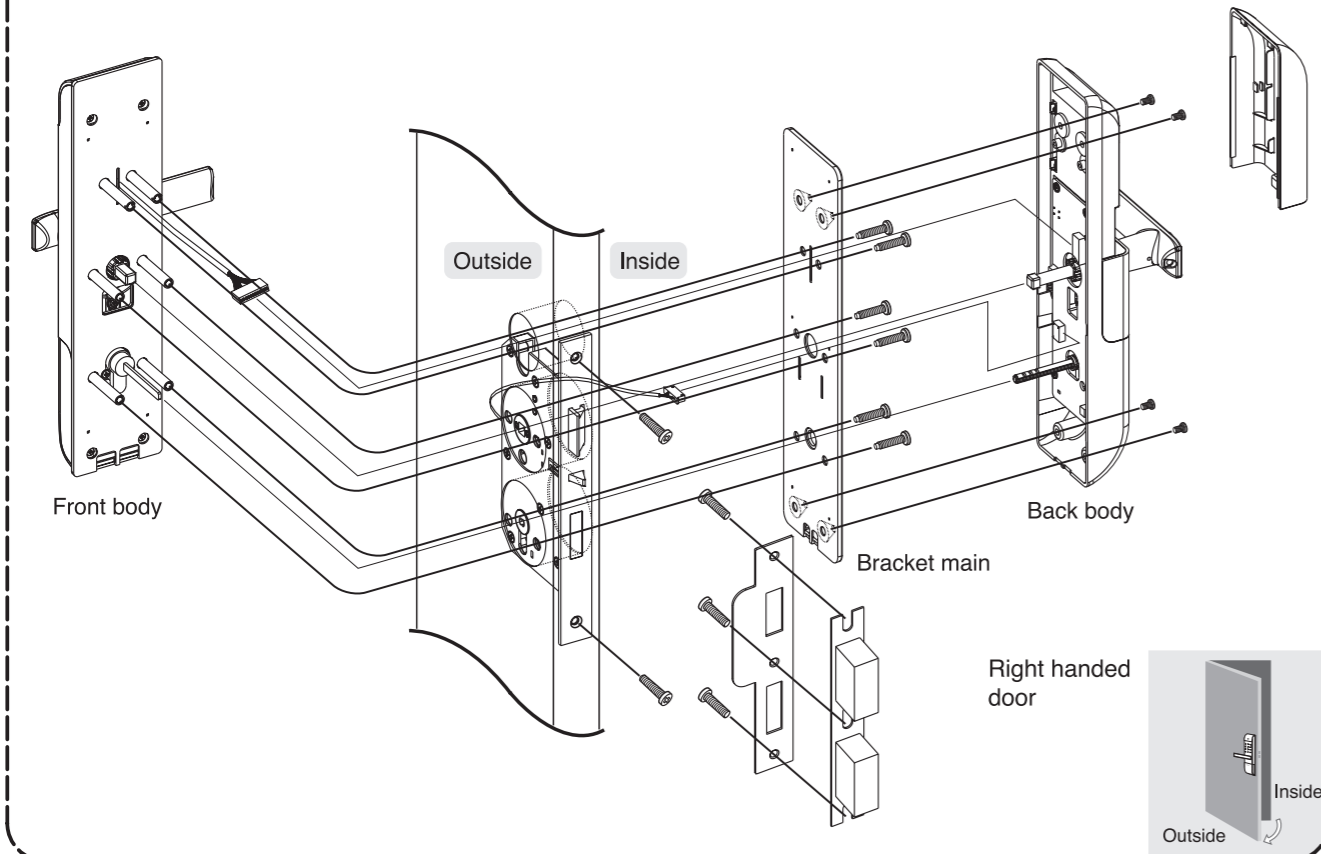
Left handed door



※ Make sure to check door side before you install. (See "2 Determine door type")

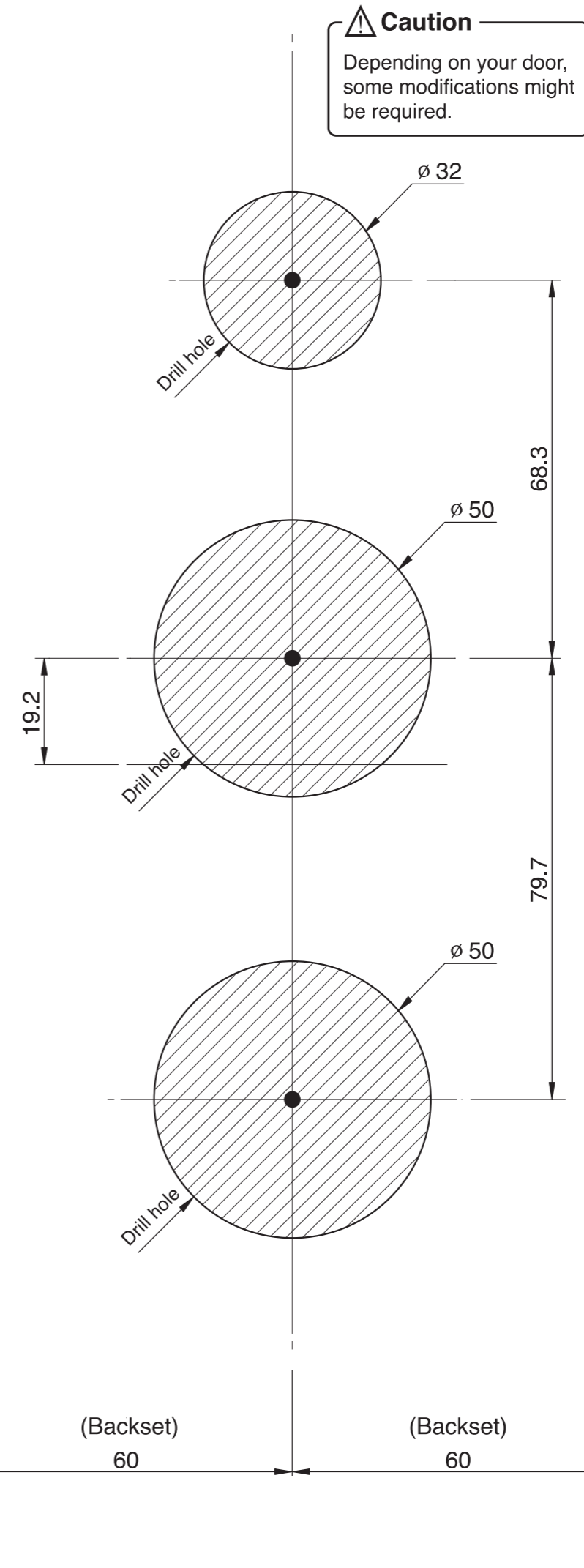
how to set : It automatically sets when putting batteries. The door should be in open position.

Right handed door



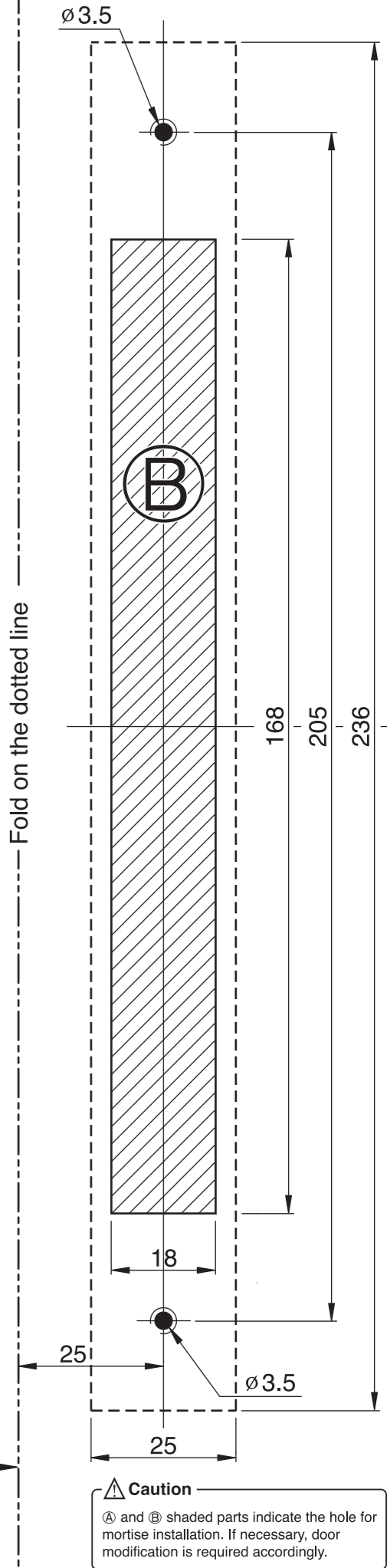
⚠ This template is based on 50mm thick door.

Fold on the dotted line



⚠ **Caution**
Depending on your door, some modifications might be required.

Fold on the dotted line



⚠ **Caution**
Ⓐ and Ⓑ shaded parts indicate the hole for mortise installation. If necessary, door modification is required accordingly.

(Backset) 60 (Backset) 60

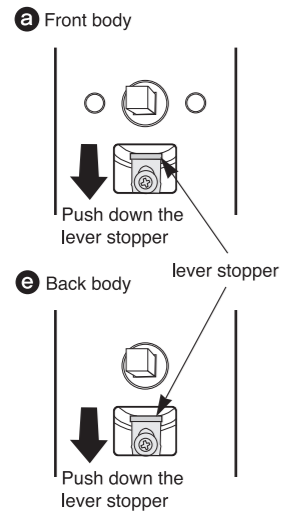
※ Factory default is left handed door.

■ Instruction

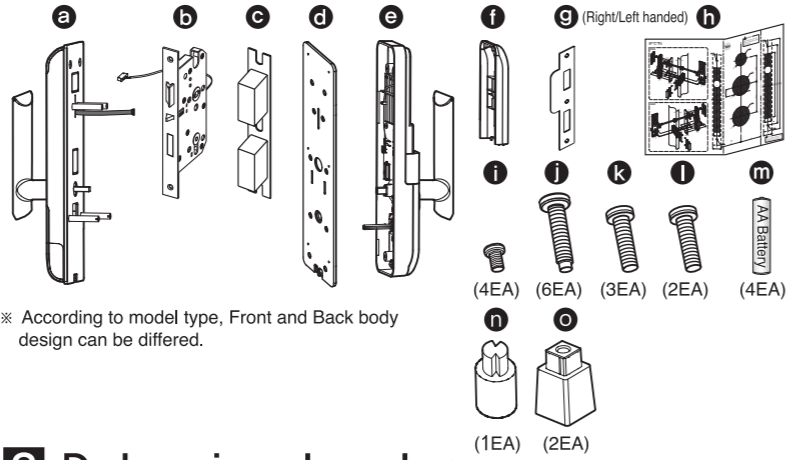
- Fixing screw
- Connection

How to change lever direction!

△ Make sure to grab the lever for safety reasons when you change the direction.



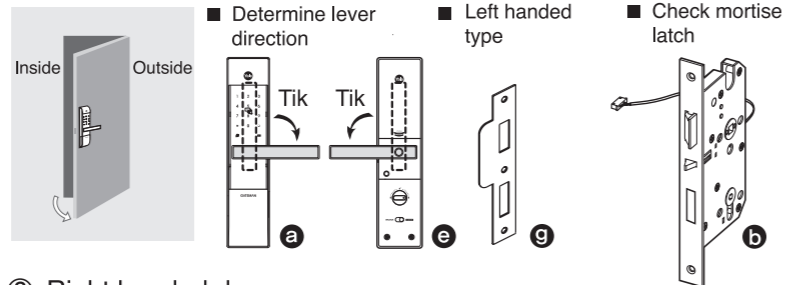
1 Package check



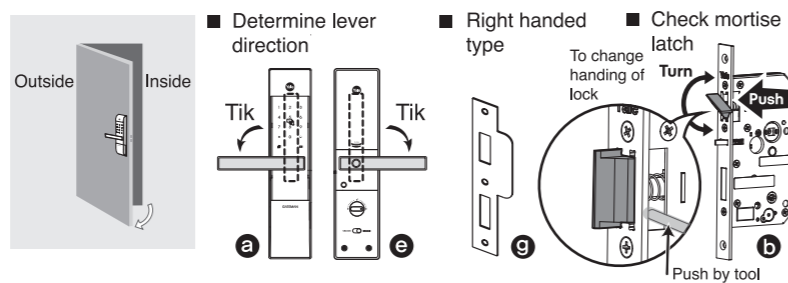
※ According to model type, Front and Back body design can be differed.

2 Determine door type

① Left handed door



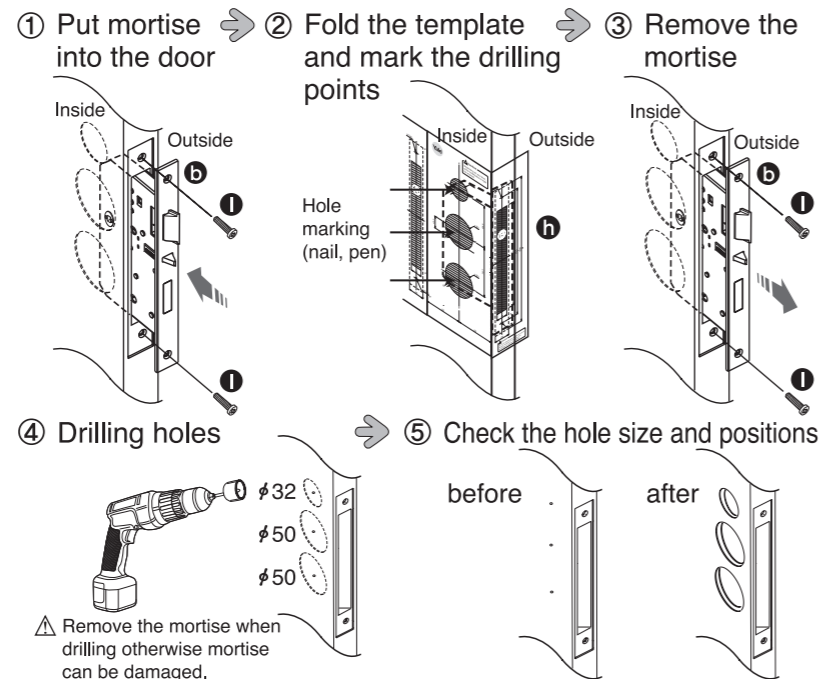
② Right handed door



This product automatically detects the right and left side of door. (field reversible)
(how to set : It automatically sets when putting batteries. The door should be in open position.)

※ **Lever direction adjustment** : see left detail.

3 Hole cutting (Left handed door)

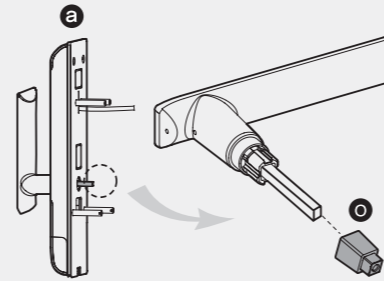


How to adjust the door thickness

To install and use the product properly, proper use of hub handle & hub shaft according to the door thickness should be used

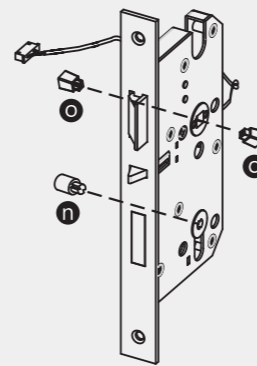
[70mm ~ 85mm]

Add hub handle on the front handle.

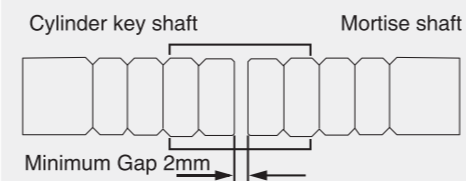


[85mm -over 90mm]

Please use 2 hub handle to a mortise and 1 hub shaft to a front handle should be used.



⚠ Caution



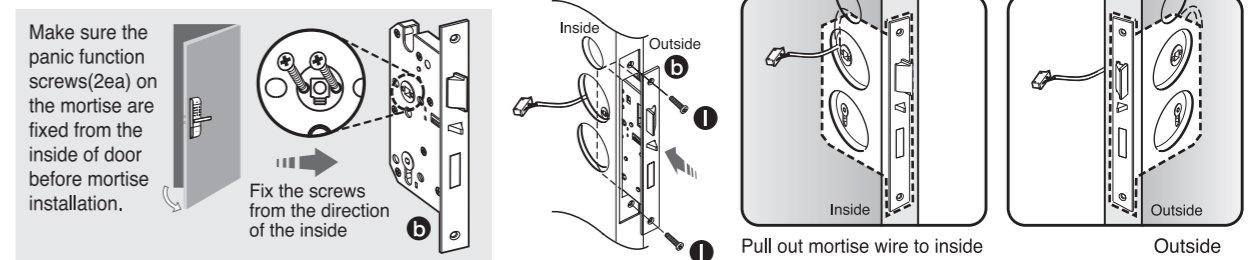
Shown above is a diagram of the Cylinder key shaft and Mortise shaft in position within a particular door thickness.
The minimum gap between the Cylinder key shaft and Mortise shaft should be 2mm or larger.
The minimum depth of insertion for the Cylinder key shaft and Mortise shaft into the mortise lock should be 5mm or larger for each side.
After cutting the Cylinder key shaft and Mortise shaft, check the lock function when the lock is installed in the door.
If the shafts are cut too short or too long it may affect the deadbolt activation or cause other issues.

4 Installation (Left handed door)

① Mortise installation

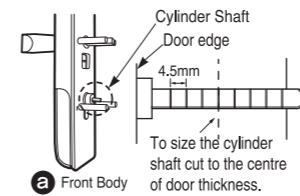
Make sure the panic function screws(2ea) on the mortise are fixed from the inside of door before mortise installation.

Fix the screws from the direction of the inside



② Front body installation

According to the door thickness, cut the cylinder and knob shaft.



To size the thumb turn knob shaft cut to the centre of door thickness.

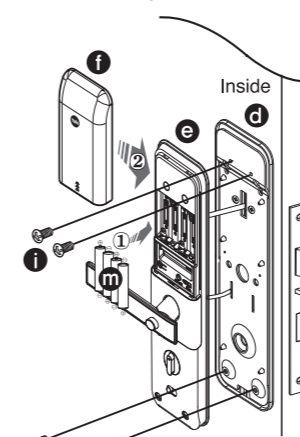
To size the thumb turn knob shaft cut to the centre of door thickness.



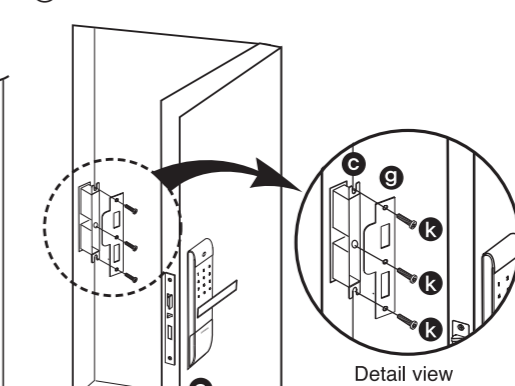
Front Body

Back Body

④ Back body installation



⑤ Striker installation



⚠ Caution

Make sure to insert batteries when the door is in open position
(Make sure that automatic right and left side door detection sets when the door is open position.)

⚠ Check points for Installer

- The default Security Code is 1234567890
Test the Security Code works by pressing * 1234567890 *
- After key (Fingerprint, card, i-button) registration, check the lock open.
- Check the Automatic Locking works properly.
The door should automatically lock in 5 seconds after closing.
- Explain Safe handle and how to set.

⚠ Check points for Owner

- Re-register your own Security Code.
- Read the User Manual before further use.
- Register your own keys.
- Understand the Emergency Power Supply feature.
- Understand the Forced Lock Modes.

