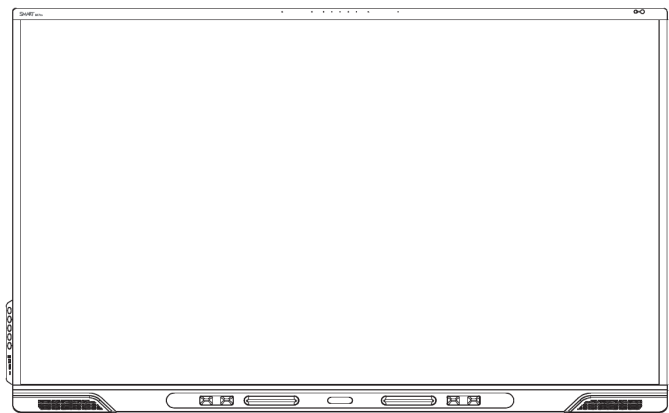




SMART[®]



Service Parts Diagrams

**For Model:
QX-V2-P series**

Service Parts Diagrams Revision History

Revision 1 - October, 2024

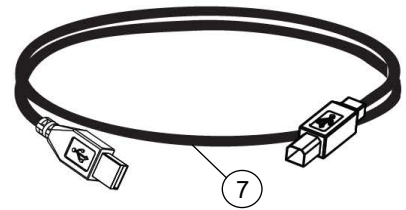
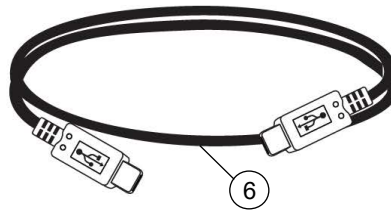
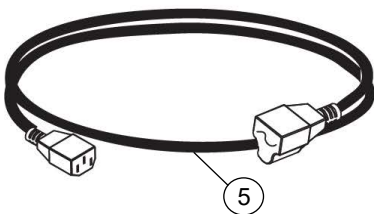
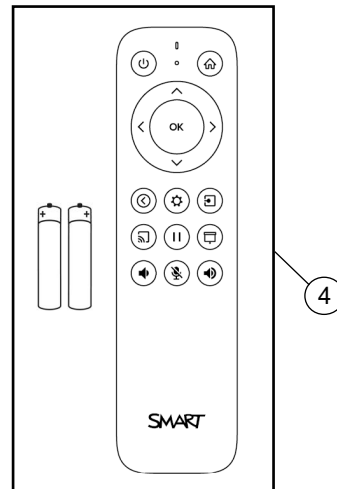
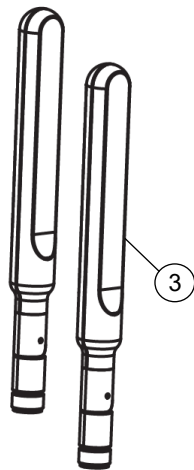
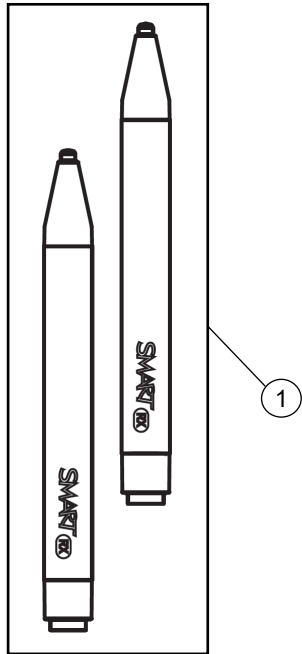
- New document

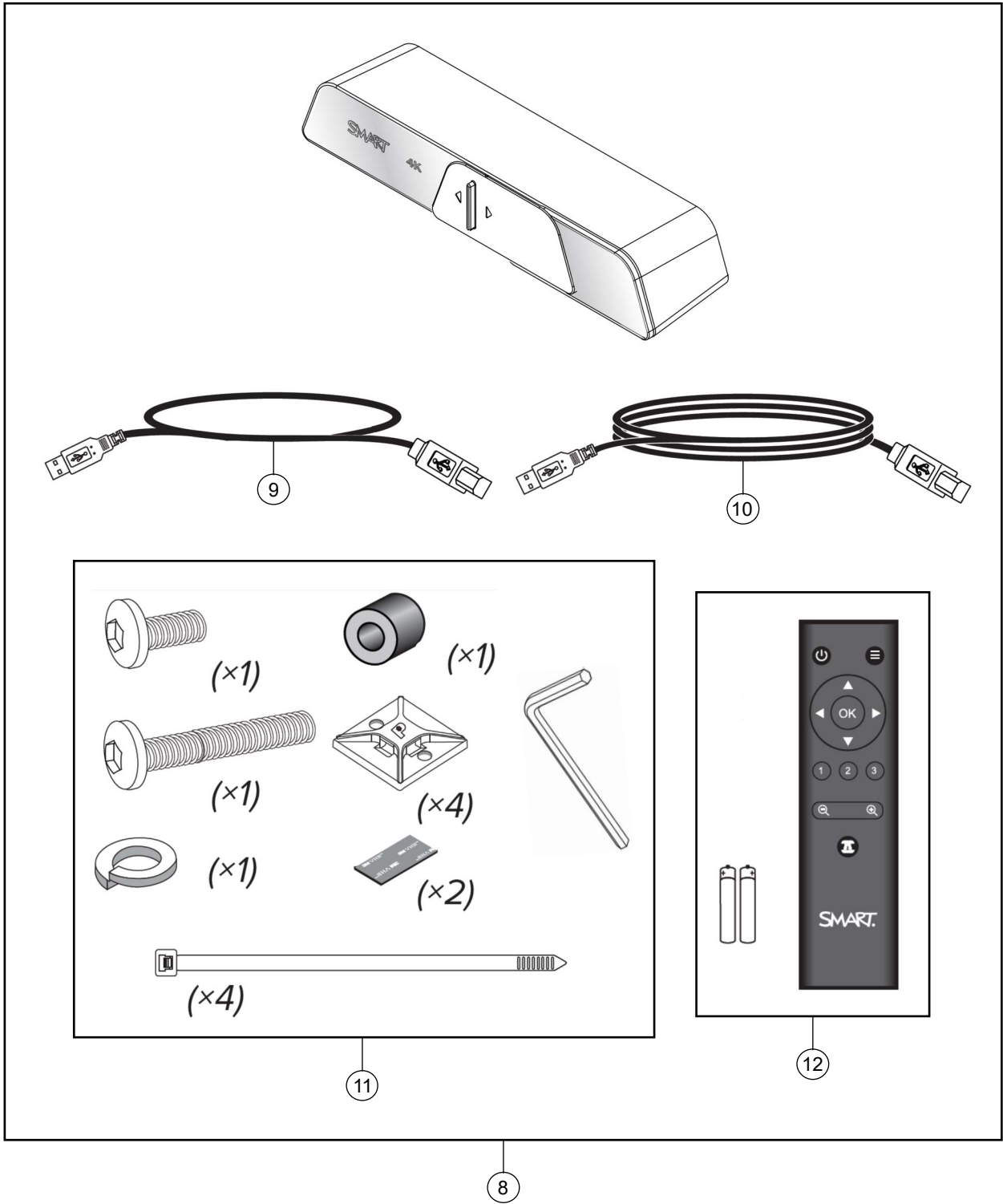
Revision 2 - September, 2025

- Change 1041286 to QX-V2-PEN

First Customer Ship: June, 2024

Service Parts





Item	Part No.	Qty	Description
1	QX-V2-PEN	1	SMART Board QX-V2 series multi-color selection pen set (2 pens)
2	1038820	2	Assembly, bar eraser, QX-P
3	1040136	2	Antenna
4	1040133	1	Assembly, remote control
5	1022063	1	Cable, power, North America, 8' (2.4 m)
5	93-055	1	Cable, power, United Kingdom, 8' (2.4 m)
5	93-056	1	Cable, power, Australia, 8' (2.4 m)
5	93-054	1	Cable, power, Europe, 8' (2.4 m)
5	93-00708-20	1	Cable, power, China, 8' (2.4 m)
5	93-00654-20	1	Cable, power, Japan, 8' (2.4 m)
5	93-063	1	Cable, power, South Africa, 8' (2.4 m)
5	1018969	1	Cable, power, Singapore, 14' 9" (4.5 m)
5	1018971	1	Cable, power, Saudi Arabia, 14' 9" (4.5 m)
5	1018972	1	Cable, power, Brazil, 14' 9" (4.5 m)
5	1025597	1	Cable, power, Argentina, 14' 9" (4.5 m)
5	1025603	1	Cable, power, Chile and Italy, 14' 9" (4.5 m)
5	1030859	1	Cable, power, Korea, 8' (2.4 m)
6	USB-C-18	1	Cable, USB, C-C USB4, 100W, 6' (1.8 m)
7	1028289	1	Cable, USB, A-B, 16' (5.0 m)
8	SWC-120UHD	1	SMART Ultra HD Camera 120 NOTE: Not included with C3 models.
9	1039344	1	Cable, USB, A-C, 1'2" (35 cm)
10	1039286	1	Cable, USB, A-B, 9'10" (3.0 m)
11	1039726	1	Kit, installation, SWC-120UHD
12	1039285	1	Assembly, remote control, SWC-120UHD
Not shown	1042454	1	Kit, packaging, 65"
Not shown	1042455	1	Kit, packaging, 75"
Not shown	1042456	1	Kit, packaging, 86"