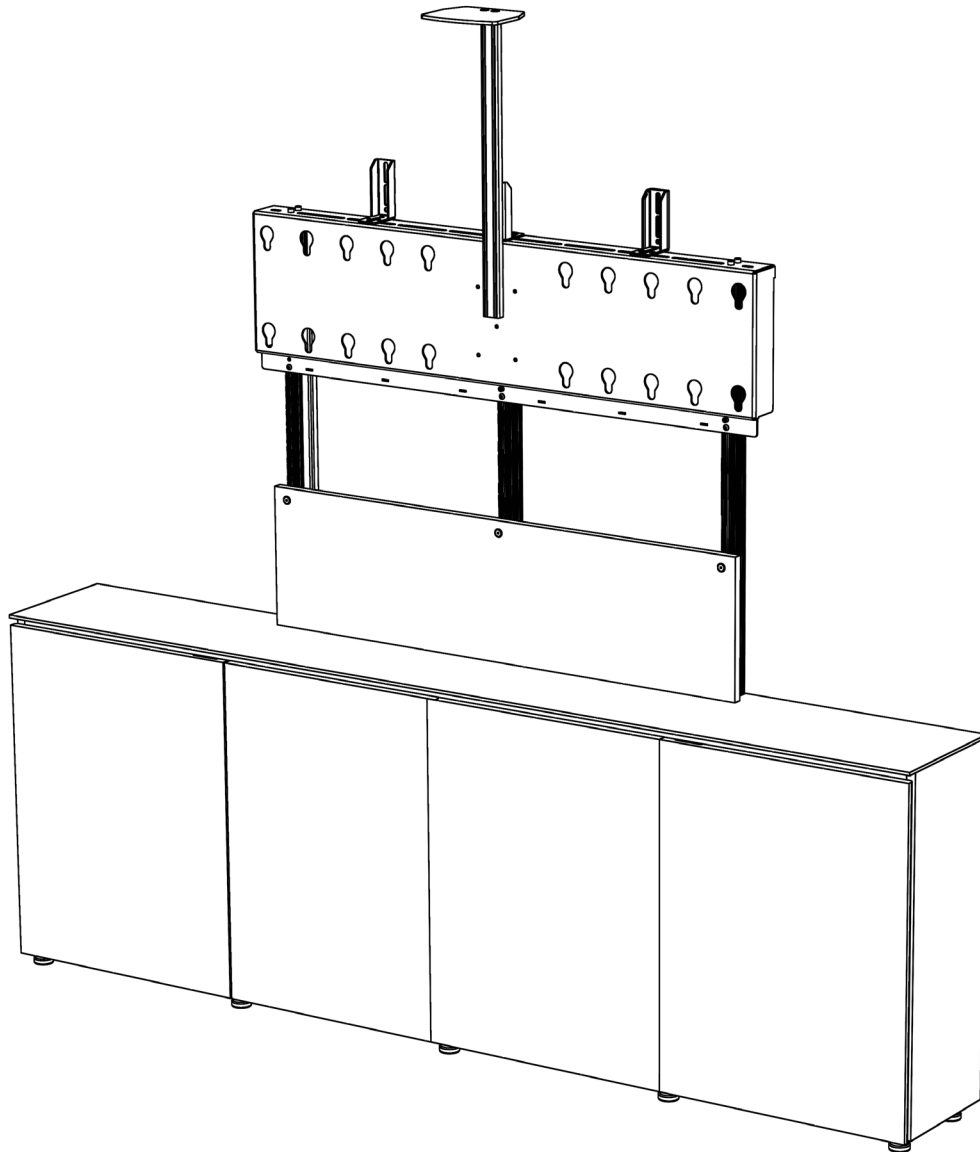




D1/347AMXL ASSEMBLY INSTRUCTIONS

4 BAY LOW PROFILE – SINGLE XL DISPLAY WALL MOUNT CABINET

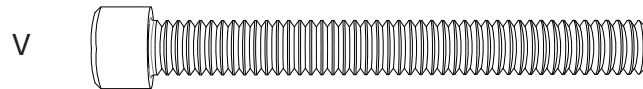
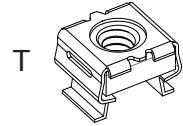
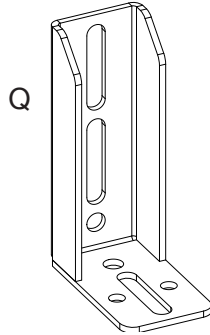
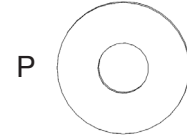
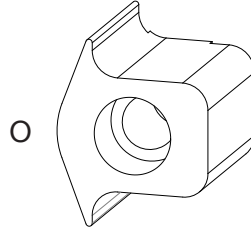
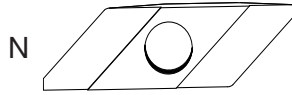
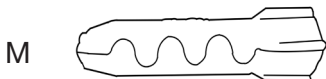
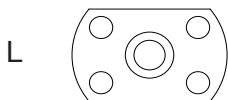
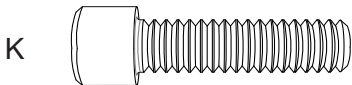
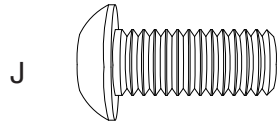
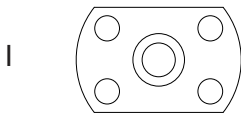
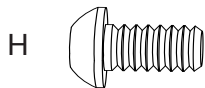
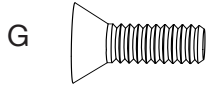
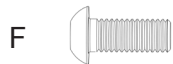
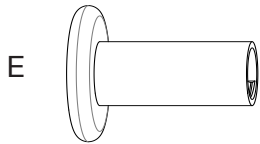
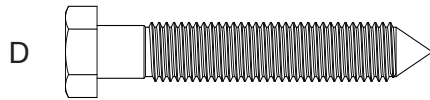
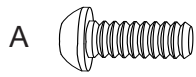


TIP HAZARD WARNING!

Cabinet must be affixed to wall.

For use with video monitors weighing **300 lbs (136kg)** or less.
Use with heavier televisions may result in instability causing
tip over resulting in death or serious injury.

HARDWARE



ID	PART #	DESCRIPTION
A	300-485	1/4-20 x 1/2" Button Head Socket Screw
B	300-465	1/4-20 x 3/4" Button Head Socket Screw
C	303-505	1/4-20 x 3/4" Set Screw
D	301-730	5/16 x 2.5" Lag Bolt
E	301-265	1/4-20 - JCN
F	301-695	M8 x 16mm Pan Phillips Head Screw
G	301-000	5/16-3/4" Countersink Socket Screw
H	300-518	1/4-20 x 3/8" Button Head Socket Screw
I	300-560	1/4-20 Flat Nut
J	301-010	5/16-18 x 3/4 Button Head Screw
K	300-480	1/4-20 x 7/8" Head Socket Screw
L	300-520	1/4-20 Small Flat Nut
M	301-055	3/8" X 2" Alligator Wall Anchor
N	300-565	Drop-In Nut
O	300-835	Universal Shelf Peg
P	300-470	5/16" Flat Washer
Q	303-855	Universal Wall Bracket
R	300-468	1/4" Flat Washer
S	301-462	Shoulder Washer
T	300-580	Cage-Nut
U	300-525	5/16-18 x 1.50" Head Socket Screw
V	300-462	1/4-20 x 2.25" Head Socket Screw
W	305-062/GT	Display Mounting Bracket

TOOLS INCLUDED

PART #	DESCRIPTION
400-035	Level Wrench
400-030	1/4" Long Arm Hex Key
301-240	Double Sided Tape 1" x 2"
P-400-030	Driver Bit 1/4" Hex Key
400-080	5/32" Hex Key
400-060	3/16" Hex Key- Long Arm
400-125	1/2" X 8" Velcro Wrap Strap

TOOLS NEEDED

Drill Driver
#2 Phillips Head Screw Driver
1/2 Drill Bit for Standard Installation
3/16" Drill Bit for Wood Stud Installation
Pencil
Tape Measure
Level

WARNINGS

IMPORTANT SAFETY INSTRUCTIONS

READ ALL INSTRUCTIONS BEFORE USING THIS FURNISHING



WARNING! Failure to comply with these instructions may result in accident involving serious personal injury. Failing to follow these instructions can result in the product being damaged or being destroyed or voiding of the warranty.



WARNING! For use with video monitors weighing **300 lbs (136 kg)** or less. Use with heavier televisions may result in instability causing tip over resulting in death or serious injury.



CAUTION!

- Close supervision is necessary when this furnishing is used by or near children, invalids, or disabled persons
- Use this furnishing only for its intended use as described in these instructions. Do not use attachments not recommended by the manufacturer.
- Do not use outdoors
- For Commercial Use Only



Weight Capacities: Max Load: D1/367AMXL - 300 lbs (136kg)

***** **SAVE THESE INSTRUCTIONS** *****

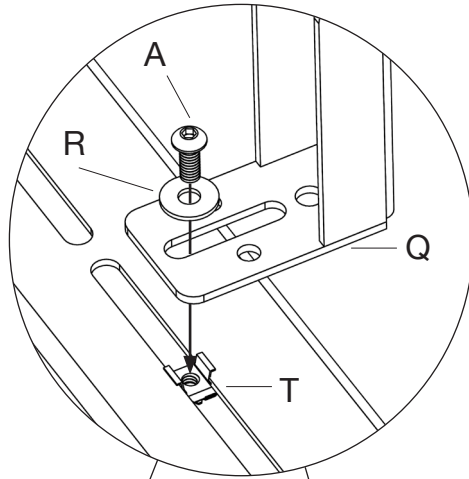
Accessories and Spare Parts

Please contact Salamander Designs 860.761.9500 or www.salamanderdesigns.com/commercial

1. INSTALL CABINET WALL BRACKETS

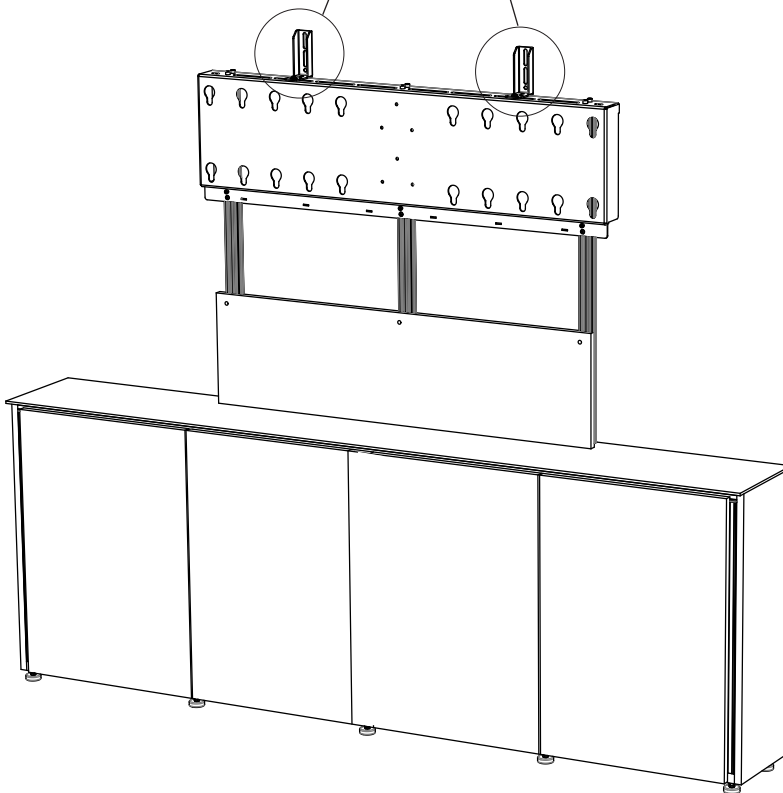


TIP HAZARD WARNING! Cabinet **MUST** be affixed to wall.



A Install cage-nut (T) onto mount in two locations shown in the illustration below.

B Loosely mount Bracket (Q) using Screw (A), Washer (R) and cage-nut (T).



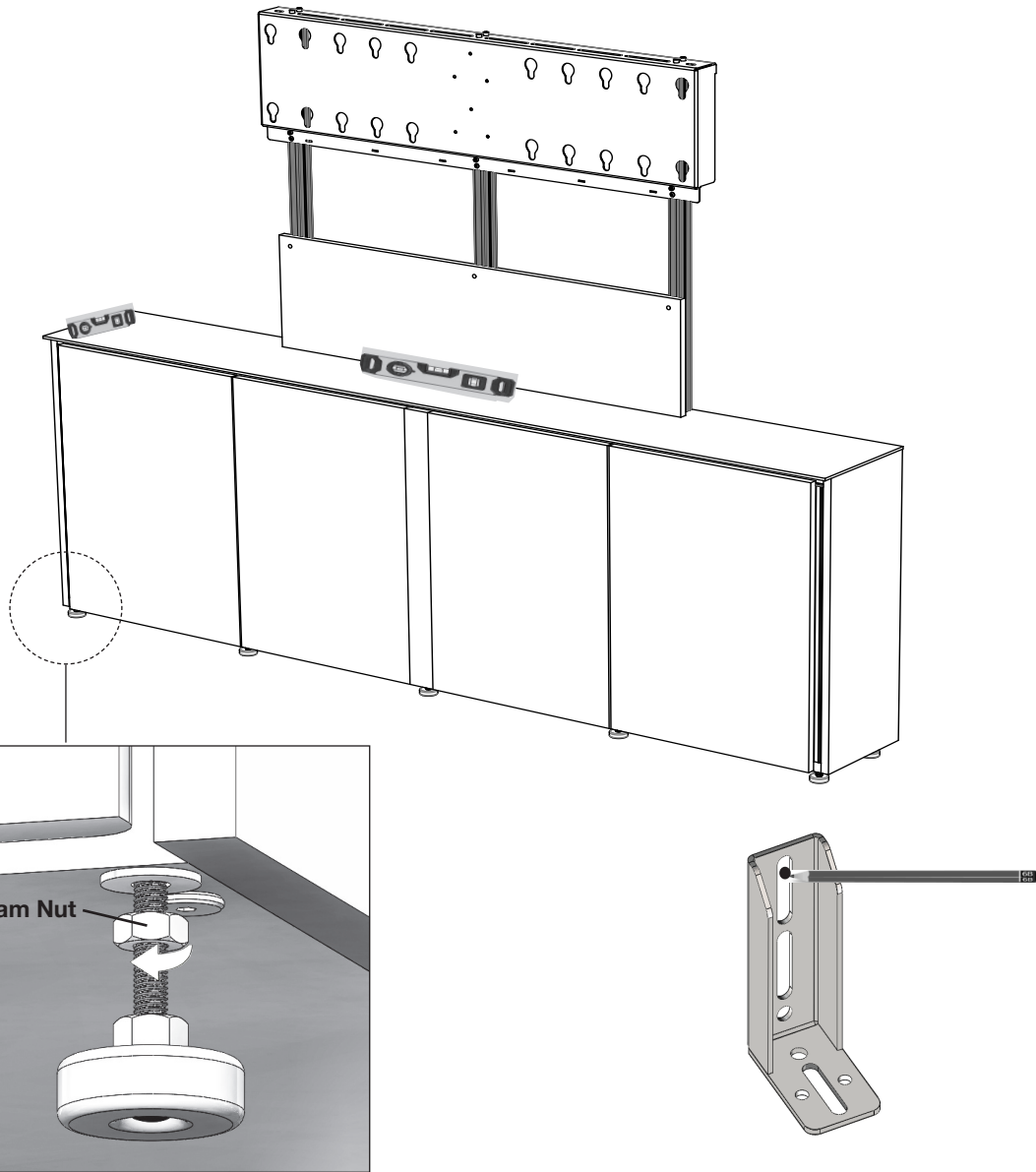


WARNING! This step requires two people.

2. LEVEL CABINET & MARK WALL

Prior to fastening to wall, it is important to level the cabinet with the floor by verifying that feet are properly adjusted.

Check and level length and depth of cabinet.



A Loosen jam nut with supplied wrench and tighten to the locked position.

B Place cabinet in desired location and mark bracket holes. Once holes have been marked move cabinet.

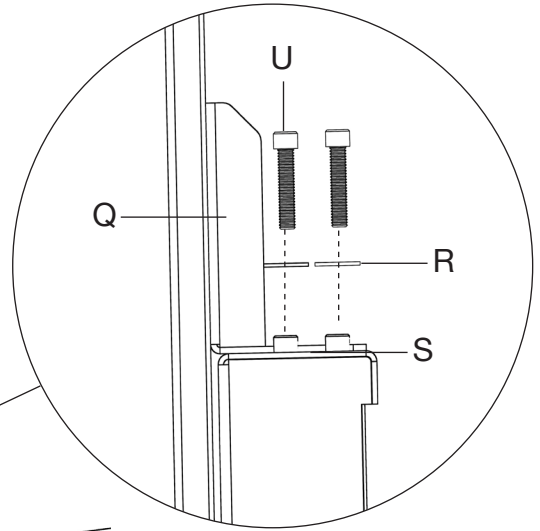
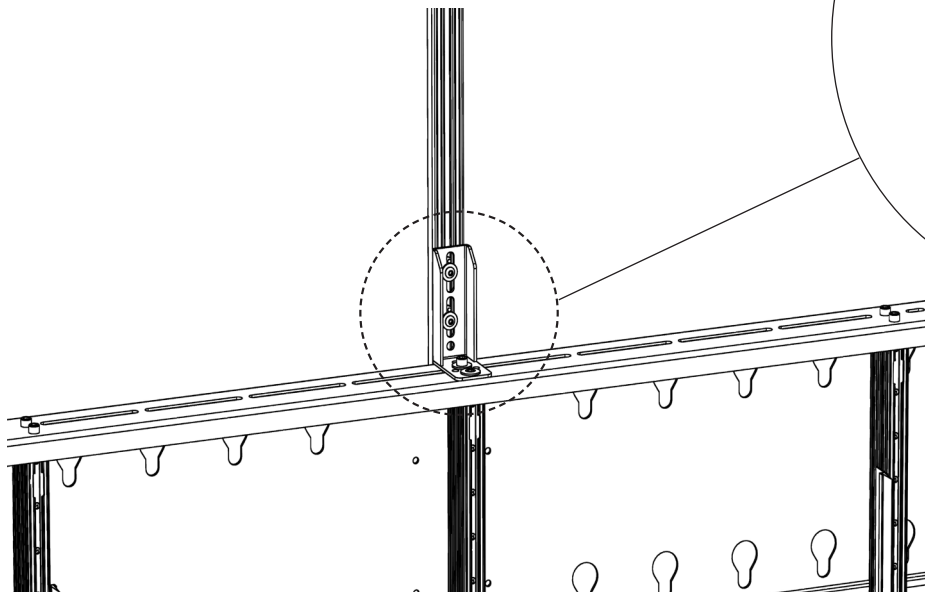
NOTE:

Adjustments has been provided in the bracket to mount the cabinet 0-1" of the wall to account for baseboard trim or other obstacles.

3. CAMERA SHELF (OPTIONAL)

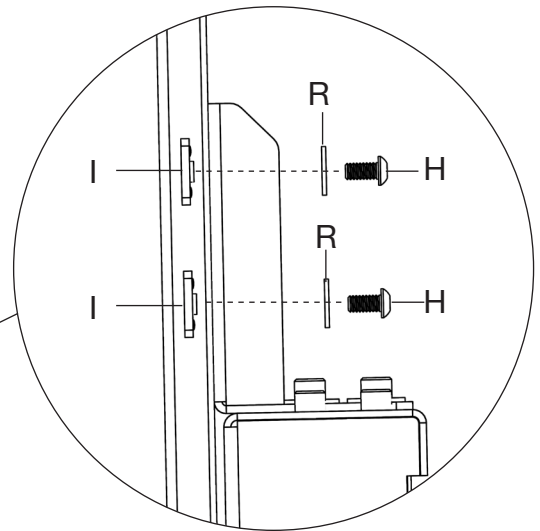
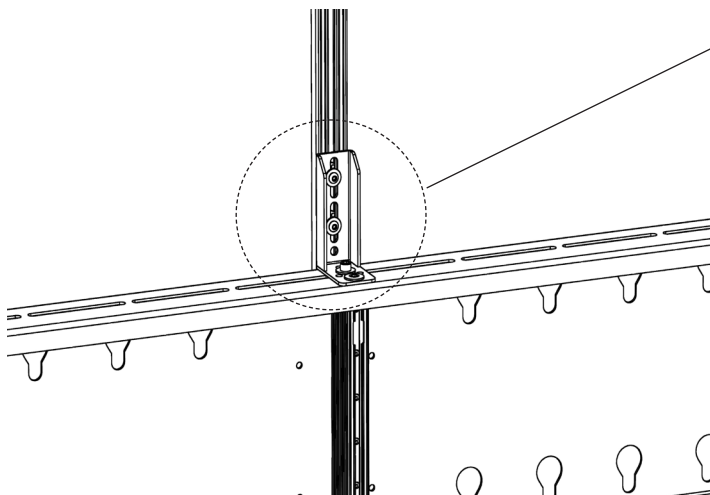
A Install Mount

Install (Q) Bracket slots to the center of the middle vertical mounting post using Screw (U) and Washers (R).



B Install Post

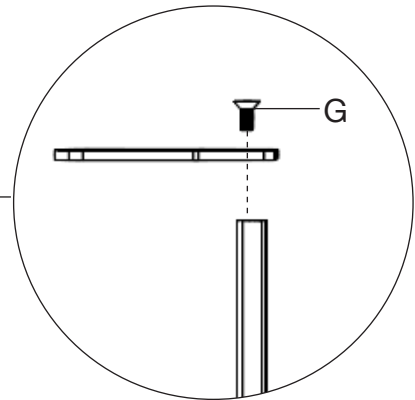
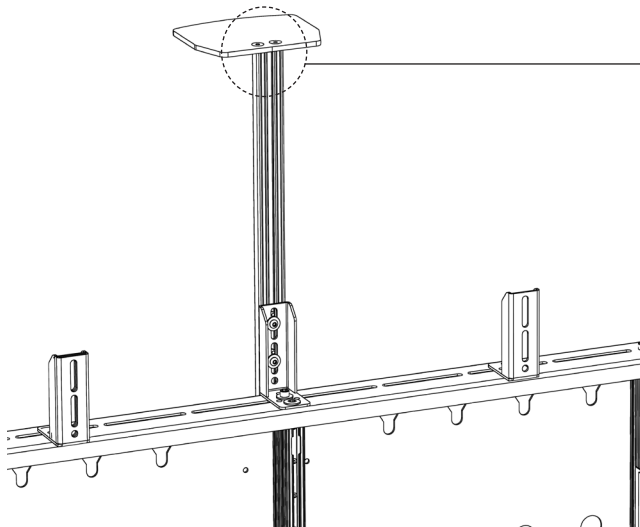
Insert Screw (H) and Washer (R) through the Bracket to Flat Nut (I) and tighten with Hex Key.



3. CAMERA SHELF (OPTIONAL)

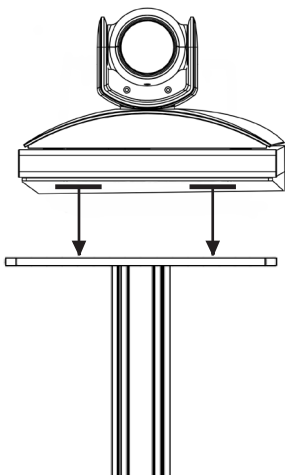
C Install Shelf

Install Camera Shelf to Mounting Post using 2 Screws (G).



D Place Camera

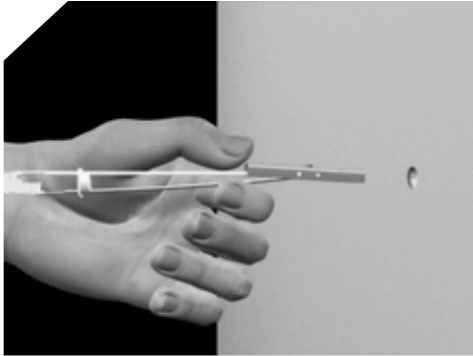
Use double side tape to secure camera from sliding off shelf.



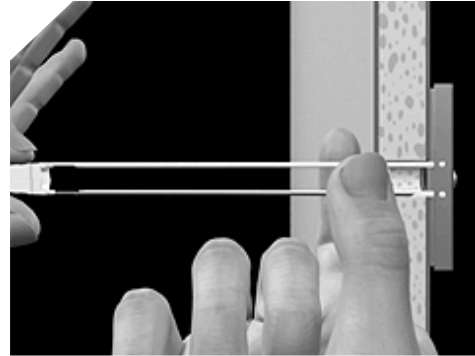
4. INSTALL WALL FASTENERS (MOST APPLICATIONS)

Install wall fasteners to marked location on wall & fasten cabinet.

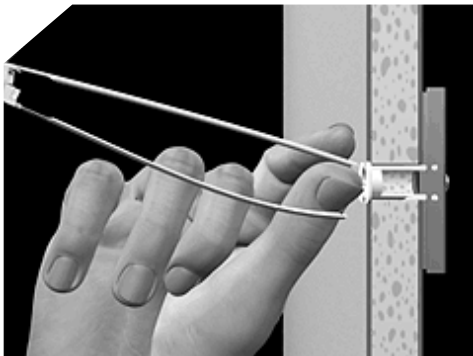
NOTE: Alternate fasteners provided for wood or masonry installation.



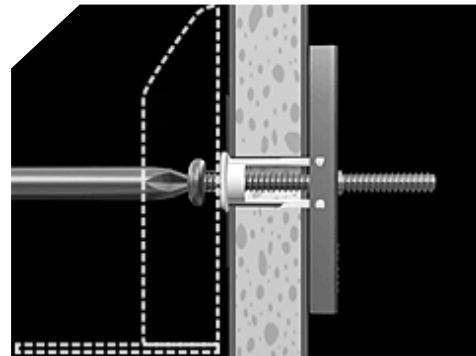
- A** Drill 1/2" diameter hole. Hold metal channel flat alongside plastic straps and slide channel through hole.



- B** Hold ends of straps between thumb and forefinger and pull toward you until channel rests flush behind wall. Slide plastic cap along straps with either hand with flange of cap is flush with wall.



- C** Snap straps at wall by pushing side to side, snapping of straps level with flange of cap.

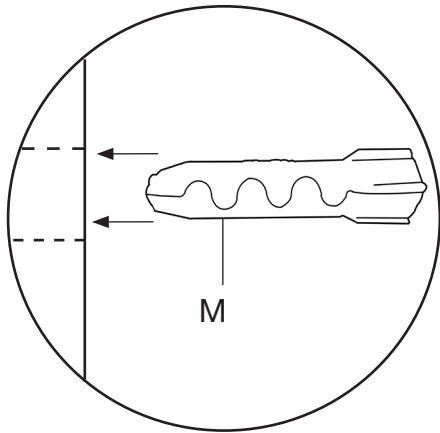


- D** Move cabinet to wall and attach bracket. Insert bolt through Bracket and tighten until snug against wall.

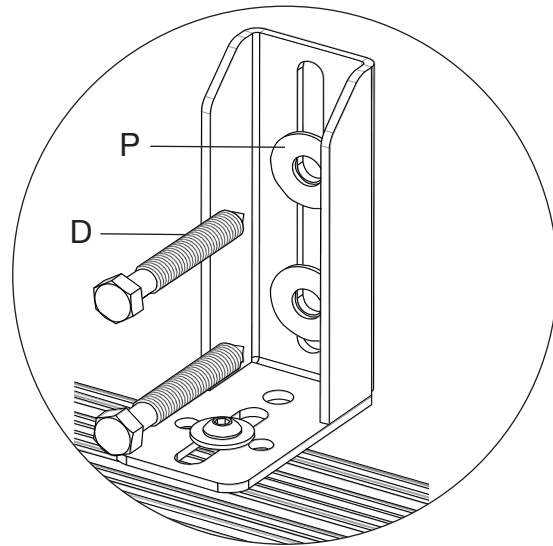
4. INSTALL WALL FASTENERS (ALTERNATE)

- A** **WOOD:** Locate two framing studs using a stud finder device.
MASONRY: Place brackets in desired location.

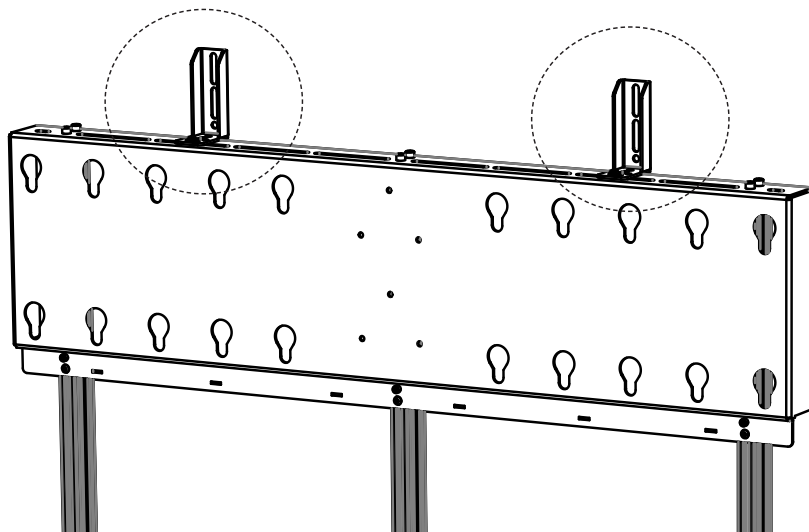
- B** **WOOD:** Use a 3/16" [5mm] drill bit and drill holes 2.5" [64mm] deep.
MASONRY: Use a 3/8" [10mm] drill bit and drill holes 2.5" [64mm] deep.



- C** Insert wall anchors (M) into hole.



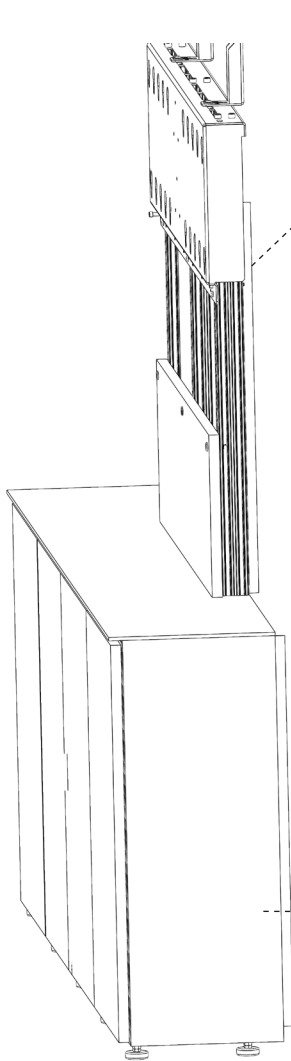
- D** Place cabinet in place and fasten with washers (P) and Lag Bolts (D).



5. INSTALL BRUSH SEAL



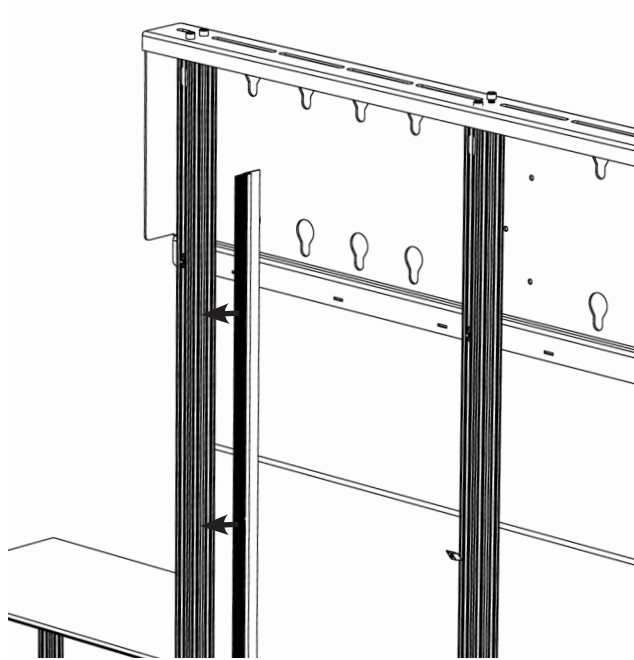
Use with baseboard molding, trim work or gaps in uneven wall surfaces.
Brush Seal Holders should stay flush to surface so that ONLY brush is showing.



A

Mount

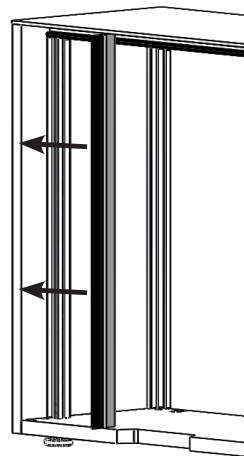
Peel off tape and install by aligning and affixing brush to the inside rear of vertical mounting post.



B

Cabinet Side

Peel off tape and install from inside of cabinet by aligning and affixing the brush seal to rear inside panel.

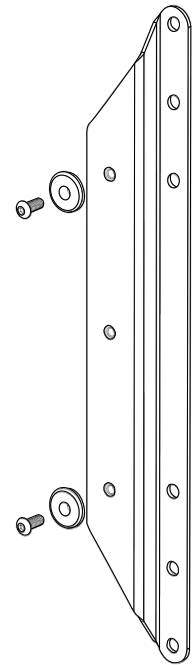
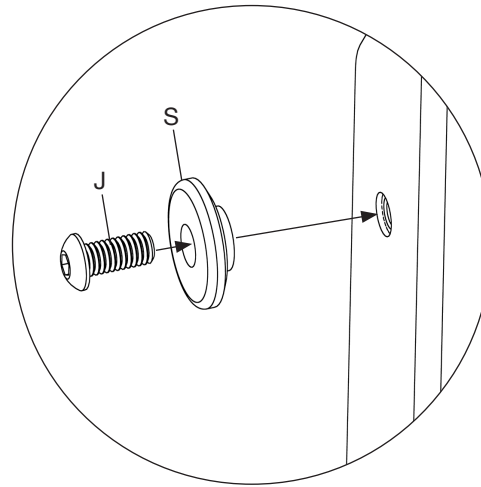


6. INSTALL DISPLAY BRACKETS

A Install Washer to Brackets

Affix shoulder washer (S) to Interface bracket (W) with screw (J) on the top and bottom hole as shown.

Note position of washer relative to bracket.



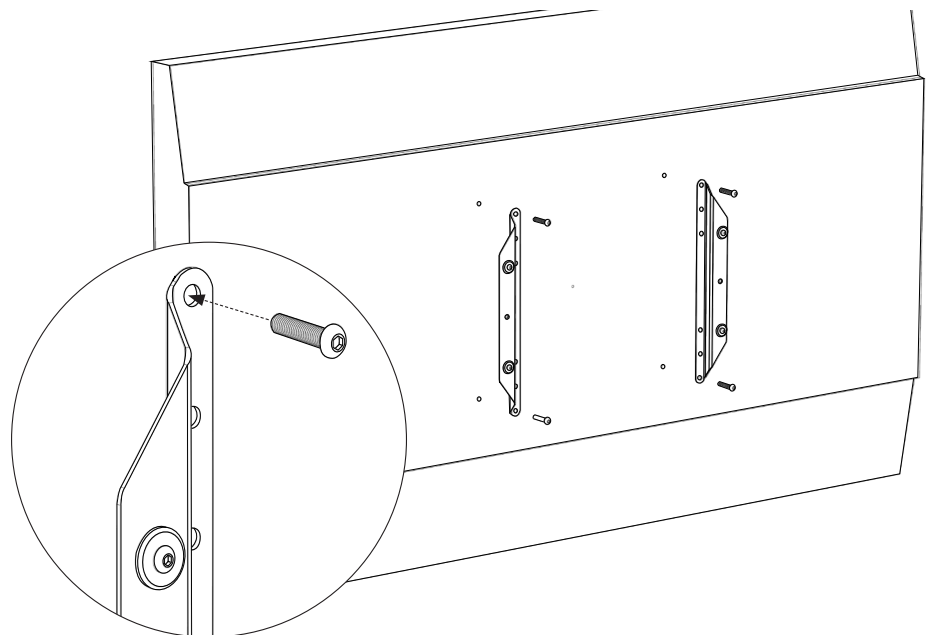
B Attach Brackets to Display

Fasten the brackets using fasteners (length and size recommended by the display manufacturer). **Using improper screw length can damage the display.**

NOTE:

Other displays may use different screw lengths.

M8 16mm screws are supplied for use with Microsoft Surface Hub.

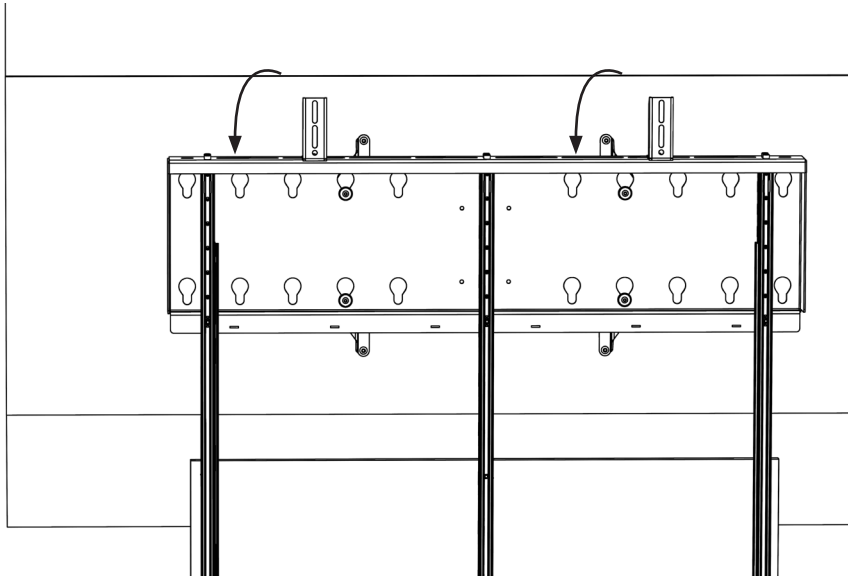




WARNING! This step requires two people.

6. INSTALL DISPLAY BRACKETS

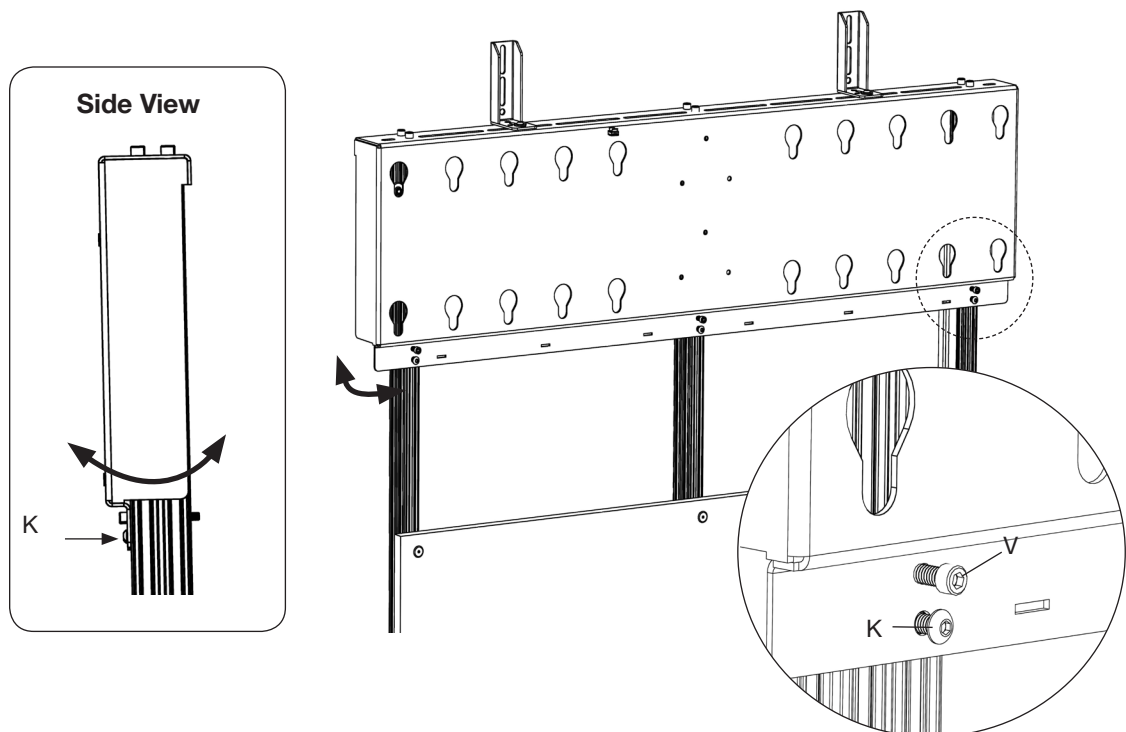
Using the key slots provided on mount face, slide display into place.



7. ADJUSTING DISPLAY TILT ANGLE (OPTIONAL)

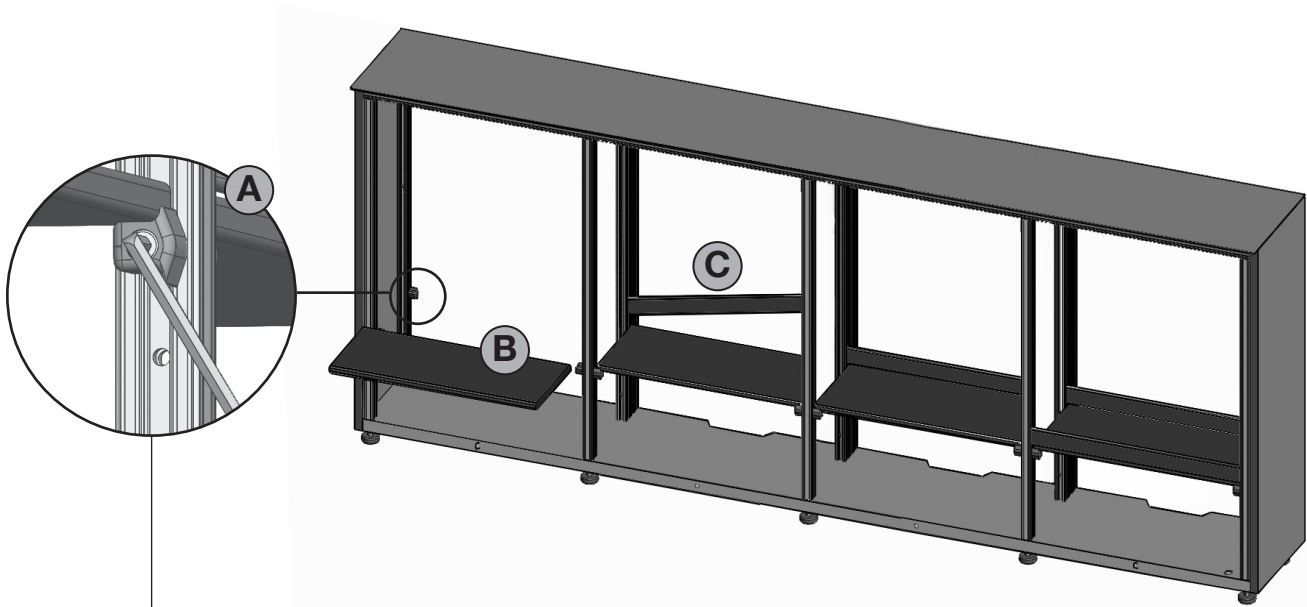
Mount tilt is preset at factory. If adjustment is necessary, remove display, loosen bolts (V) and adjust bolts (K) in three locations to achieve proper tilt. Do not over tighten screw (V).

Adjusting screws (K) will tilt mount. Screws (V) hold mount in desired position



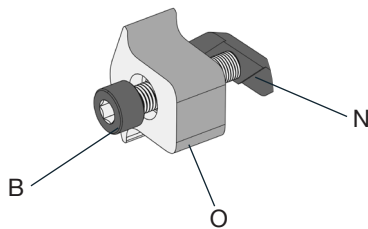
8. INSTALL SHELVES

- A. Shelf placement can be adjusted if necessary to either predrilled locations or any location using Drop-In Nuts (N) Shelf Peg assembly (see diagram below).
- B. Place shelves on pegs.
- C. Install shelf stops in front or back of shelf as desired.
- D. Install accessories (IR Repeater Kit, Power Conditioner, etc) and place components.

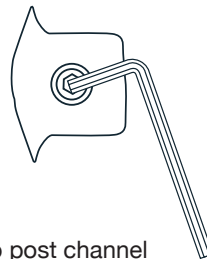


Drop-In Nut Option

Should you desire shelf placement in location other than predrilled locations, use the drop-in nut option. This option allows shelf to be placed at any height.

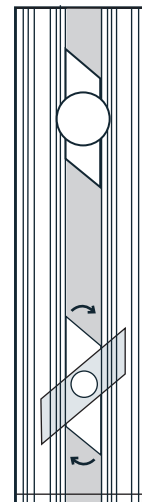


Assemble loosely as shown.



Insert into post channel and slide to desired height. Level shelf by adjusting shelf peg positions and tighten screw using hex key.

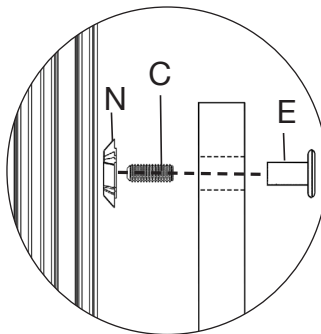
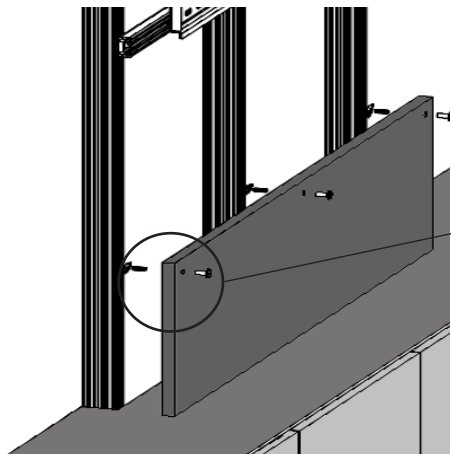
Note: Drop-in nut must make a 1/4 turn in post.



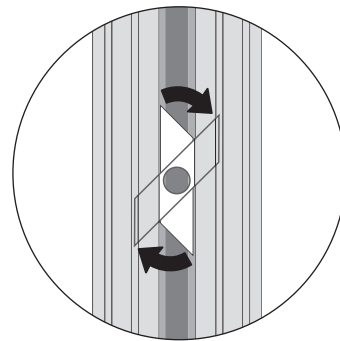
ADJUSTMENT TIPS

MODESTY PANEL Removing and Re-Installing

NOTE: Be sure bottom of modesty panel is flush to cabinets top.

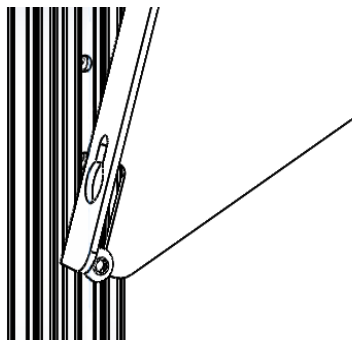


A Loosely assemble Set Screw (C), JCN (E) and Drop-In Nut (N) through each hole in the panel.



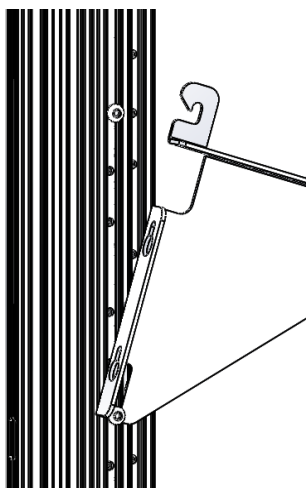
B Insert Drop-In Nut (N) into the slots of the vertical mounting post and using the provided Hex Key.

3U VERTICAL RACK



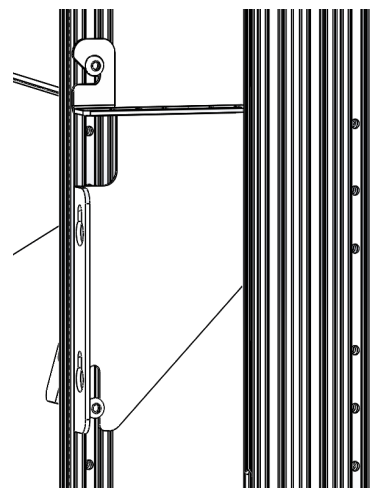
Remove

Loosen screws on both sides. Then tilt rack until the hook is free and lift up until the rack is free from bottom screw.



Re-Install

A Slide the slotted ends of the rack over the bottom screw and hook the top screw as shown.



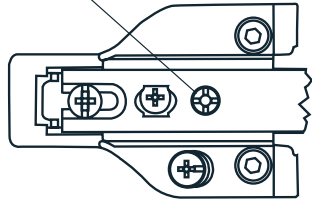
B Tighten with provided Hex Key.

ADJUSTMENT TIPS

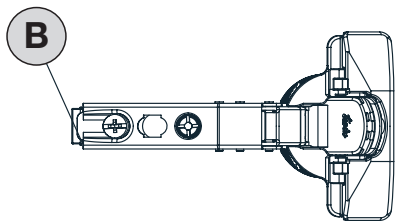
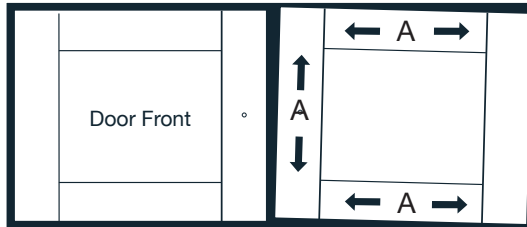
DOORS

NOTE: It is important that cabinet is level before adjusting doors, see step 2.

A **Main Adjustment (Side to Side and Up/Down)**
Adjustment is made by turning screw (A) in and out.



Adjust the tops of the doors to be parallel to the top of the cabinet.



Dismount Hinge from Hinge Plate
With one hand holding the door open, pull back on the hinge quick-release lever (B).



**SALAMANDER
DESIGNS**

Furniture Shaped By Your Needs ©

LIMITED WARRANTY FOR COMMERCIAL VIDEO DISPLAY STANDS AND MOUNTS

Salamander is proud to stand behind our products with industry-leading warranties. Should you ever encounter any problem with your Salamander product, let us know. We are here to make it right. 1.860.761.9500

Full warranty including limitations and warranty claim information may be found at www.salamanderdesigns.com/commercial/warranty

Made in USA