



# IndigoVision®

a Motorola Solutions Company

2MP

5MP

PTZ



## IR PTZ Cameras

Capture every detail with ultra-high resolution

With best in class performance, IndigoVision IR PTZ Cameras deliver rich, high resolution video with automatically adaptive IR LED illumination. This provides evidential video in pitch dark conditions for a distance of up to 350 m (1148 ft). Image stabilisation and ultra-low PTZ latency gives smoother operator viewing and control. You also get maximum reliability with IndigoVision's Distributed Network Architecture, which removes the requirement for a central server, ensuring you never lose access to live video and benefit from minimal latency.

### Key Features & Benefits



#### LOW LIGHT TECHNOLOGY

Deliver safety and capture unexceptionably detailed footage even in low-light settings.



#### WIDE DYNAMIC RANGE

Capture details in scenes with both very bright and dark areas, so you can detect suspicious activity in all lighting conditions.



#### ONVIF® COMPLIANT

Built on an open platform to allow integration with other security solutions, so you can expand your existing security system.



#### IP AND IK RATED

Trust the robustness and reliability of your system with IP66 weather rating and IK10 impact rating for vandal resistance.



#### IMAGE STABILIZATION & ULTRA-LOW LATENCY

Detect incidents faster with smooth, superior long-range viewing and control.



#### 5 YEAR WARRANTY

Gain peace of mind with products backed by a 5-year, industry-leading warranty.



#### ACF (ACTIVITY CONTROLLED FRAMERATE)

ACF reduces the frames per second (fps) based on activity cutting bandwidth consumption and maximizing storage space, reducing costs by up to 95%.



#### CYBERVIGILANT TECHNOLOGY

Enhance your existing camera firewall by getting alerted of unauthorized access, as it is attempted.



#### SERVO FEEDBACK

When encountering external force, such as vandalism, the camera will return immediately to its original position.



#### ADAPTIVE INFRARED (IR) LED ILLUMINATION

Automatically provides clear and evidential video even in pitch dark condition for a distance of up to 350 m (1148 ft).



#### 360° COVERAGE

Monitor virtually any area within a 360° view, including straight down and above the horizon.



#### NDAA COMPLIANT

Approach US government with confidence, knowing our cameras comply with the National Defense Authorization Act.

# Specifications

Camera Features	2MP IR PTZ 30x Camera	2MP IR PTZ 40x Camera	5MP IR PTZ 33x Camera
<b>Sensor</b>	Sony 2M 1/2.8" Progressive CMOS		Sony 5M 1/2.8" Progressive CMOS
<b>Active Pixels (HxV)</b>	HD (1920 x 1080)		5M (2592x1944)
<b>Minimum Sensitivity</b>	Day: 0.02 Lux (colour). Night: 0.001 Lux (mono). F1.6, 1/30s shutter		Day: 0.1 Lux (colour). Night: 0.01 Lux (mono). F1.6, 1/30s shutter
<b>Dynamic Range</b>	WDR 120dB		
<b>Gain Control</b>	Auto / Manual setting		
<b>Wide Dynamic Range</b>	Off / Low / Mid / High		
<b>Back Light Compensation</b>	On / Off @ 50/60 Frame Rates only		
<b>White Balance Mode</b>	Auto / ATW / Smart / One Push / Smart Touch / Manual		
<b>Day/Night</b>	True Day / Night with Mechanical IR Cut Filter		
<b>IR Distance</b>	350m		
<b>Video Resolution</b>	1920x1080 (HD); 1280x1024 (1.3MP); 1280x720 (720p); 800x600 (SVGA); 720x480 and 720x576 (D1); 640x480 (VGA); 352x240 and 352x288 (SIF); 320x240 (QVGA)		2592x1944 (5MP); 2560x1440 (4MP); 1920x1080 (HD); 1280x1024 (1.3MP); 1280x720 (720p); 1024x768 (XGA); 800x600 (SVGA); 720x480 and 720x576 (D1); 640x480 (VGA); 352x240 and 352x288 (SIF); 320x240 (QVGA)
<b>Signal/Noise Level</b>	>45dB		
<b>Lens Options</b>	4.3mm - 129mm. Horizontal view angle 59.0° (W) 2.4° (T), Vertical view angle 35.2° (W), 1.4° (T)	4.3mm - 170mm. Horizontal view angle 66.1° (W) 1.8° (T), Vertical view angle 35.2° (W), 1.4° (T)	4.6mm - 152mm. Horizontal view angle 60.0° (W), 1.9° (T), Vertical view angle 46.4° (W), 1.5° (T)
<b>Zoom</b>	30x optical + 10x digital	40x optical + 10x digital	33x optical + 10x digital
<b>Iris Control</b>	Auto with manual override		
<b>Shutter</b>	Rolling; Auto from 1/1.5 - 1/10000 sec, Anti-Flicker, Slow Shutter (1, 1/2, 1/4, 1/8, 1/15, 1/30)		
<b>Exposure Control</b>	Auto Iris / P-Iris / Iris / Auto Shutter / Shutter / Manual		
<b>Image Stabilizer</b>	Yes		
<b>Video Compression</b>	Full frame rate, full colour: H.265/H.264/MJPEG ; up to 60fps		
<b>Video Bit Rate</b>	User-configurable bit rates from 64Kbps up to 10Mbps		
<b>Video Multi-Streaming</b>	Up to 32Mbps total video output; Unlimited multicast connections. Up to four 8Mbps unicast connections; Up to sixteen 1Mbps unicast connections		
<b>Video Multi-Encoder</b>	Up to four simultaneous resolutions including: 1080p (60fps), 1080p (30fps), 720p (30fps), D1 (30fps), SIF (30fps)	Up to four simultaneous resolutions including: 5MP (30fps), 4MP (30fps), 1080p (60fps), 1080p (30fps), 720p (30fps), D1 (30fps), SIF (30fps)	
<b>Video Analytics</b>	ACF, Motion Detection, Abandoned Object, Intrusion Detection, Video Tamper, Missing Object, Tripwire		
<b>Audio Compression</b>	G.711Mu/AAC		
<b>Audio Analytics</b>	Audio detection		
<b>Audio Input</b>	Line in		
<b>Audio Output</b>	Line out		
<b>Binary Input/Output</b>	2 input; 1 output		
<b>Network Interface</b>	IEEE802.3 and IETF standards: 10/100 Base-T Ethernet, TCP, UDP, RTP, RTSP, ICMP, IGMP, SNMP, HTTP, HTTPS, QoS, DHCP, DNS		
<b>Network Security</b>	HTTPS, CyberVigilant®, IEEE 802.1x		
<b>CyberVigilant® Technology</b>	Yes		
<b>Time</b>	Embedded real-time clock, SNTP client		
<b>SD Storage</b>	SD/SDHC/SDXC 128GB support (card not included)*		
<b>Dimension/Weight</b>	207mm (dia) x 300mm (h) and 3.8kg with sunshield		
<b>Regulatory</b>	EN55032, EN50130-4, EN61000-3-2, EN61000-3-3, EN61000-6-4, CFR47 part 15 Subpart B, UL, EN60068-2-6, EN60068-2-64, EN60068-2-27, EN60068-2-1, EN60068-2-2, EN60068-2-30, EN60529, EN62262		
<b>Housing</b>	Aluminium alloy with polycarbonate dome		
<b>Protection Rating</b>	IP 66, IK10 (excluding front lens cover)		
<b>Electrical</b>	UPOE (Compatible with part number 130179). 30V DC, Max 42W. 24V AC, Max 60W.		
<b>Operating Temperature</b>	-40°C to 50°C		
<b>Cold Start</b>	-40°C		
<b>IndigoVision Software Requirements</b>	Control Center v16.0.1 or later		
<b>Supported Internet Browser</b>	Internet Explorer v11.0 or later		
<b>ONVIF</b>	Profile S, G & T		
<b>NDAA</b>	This product is compliant with the National Defense Authorization Act (NDAA). Section 889 of the NDAA prohibits the U.S. government from procuring video and telecommunications equipment from certain Chinese companies and their subsidiaries.		

\* SDCard Storage independent of IndigoVision's NVRs.

# Specifications

PTZ Control			
Preset	256	Pan Range	360° Continuous Rotation
Preset Accuracy	0.225°	Tilt Range	110° (-20° above horizon)
Preset Tours	8	Pan/Tilt Speed	Pan Speed - 0.1-90°/s. Tilt Speed - 0.1-55°/s
Pattern Mimic Tours	8	Pan/Tilt Warranty	Moving part warranty limited to 5 million Pan and Tilt Operations
Privacy Zones	20 User Defined	Preset Move Speed	300°/s

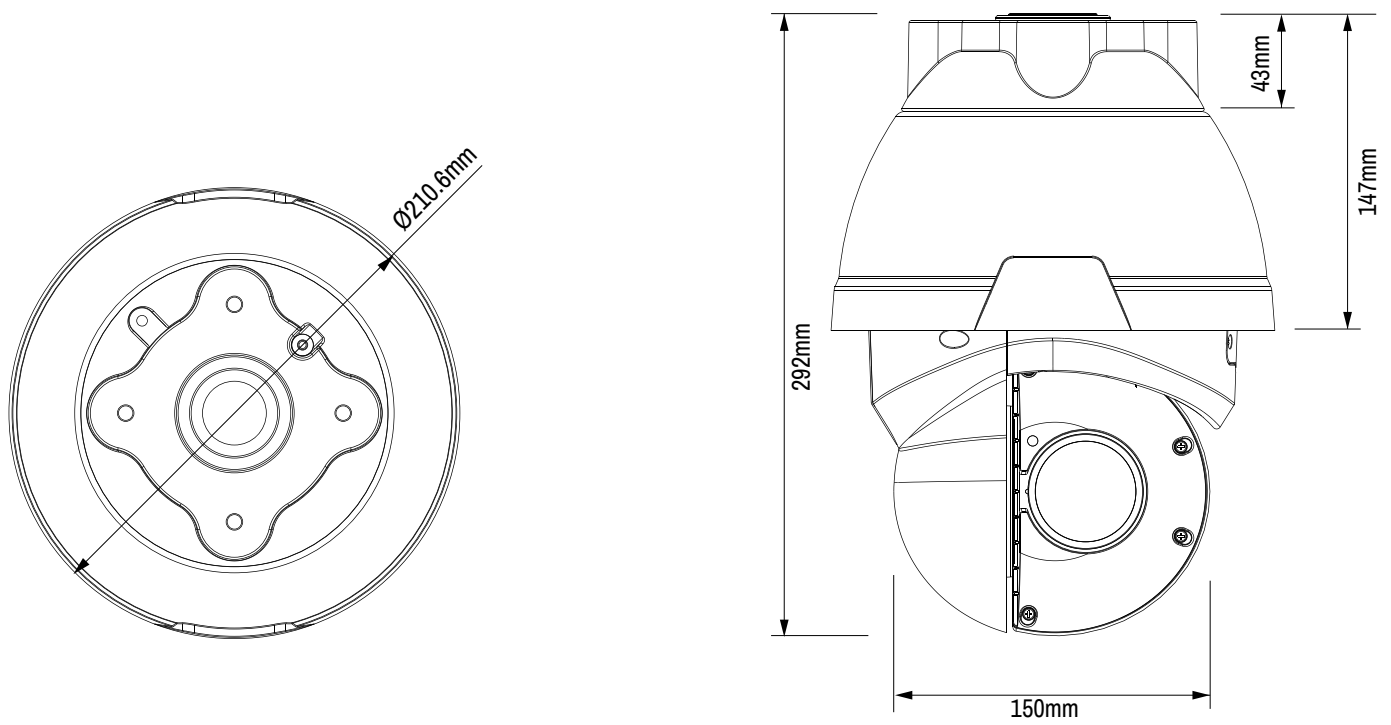
Cable Features	
Length	1.5m cable supplied. 3m (110173) and 9m (110174) available as accessories
Cable	UL2464
Waterproof Rate	IP67
Temperature Range	-40~70°C (Except Cap)
Materials	All plastic and rubber materials should be UV resistant

# Ordering Information

Product Codes	Description
710571	2MP IR PTZ 30x Camera
710570	2MP IR PTZ 40x Camera
712570	5MP IR PTZ 33x Camera

# Outline Dimensions

## IR PTZ Camera



## Amphenol Cable

