

**MVR-DSC-AI****MVR-DSC-DSM**

The DashCam is a cost-effective and easily installed device for vehicle surveillance and remote monitoring of mobile assets.

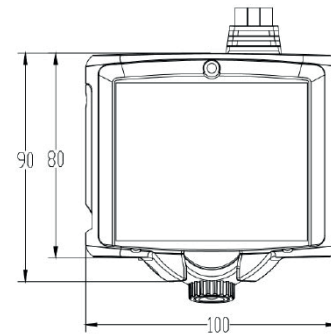
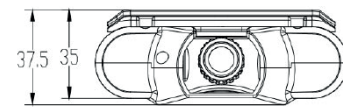
It's a flexible combination of a 2MP road-facing DashCam (MVR-DSC-AI) with internal GPS + 4G + Wi-Fi + Bluetooth modules, an extensional 1MP **DSM** (Driver Status Monitor), and an extensional 1MP passenger-facing camera. It supports single SD card (256 GB) storage, recording real-time video, GPS and alarm data.

Product features

- Internal GPS, 4G, Wi-Fi, Bluetooth modules.
- Supports an integrated 3 axis accelerometer (G-Sensor) and 3 axis gyroscope, to detect crashes, harsh breaking, acceleration and cornering.
- 2MP road-facing Cam.
- Supports extensional 1MP DSM (Driver Status Monitor) camera
- Supports extensional 1MP of Passenger Cam, Wide Angle>130° [optional]
- Supports **ADAS** (Advanced Driver Assistant System)
- Supports **DSM** (Advanced Driver Status Monitor)
- Supports H.265/H.264
- 1 SD Card Slot, up to 256 GB
- 9V-16V DC
- Operating Temperature -13°F ~ 167°F

Specifications

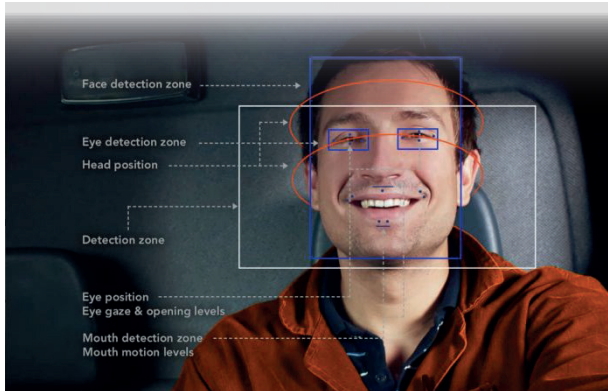
Operation System	Linux
AI	Supports: ADAS and DSM Optional: Facial Recognition
Video Coding	H.265/H.264
Wireless Communication	Support 3G/4G Support WI-FI Support Bluetooth
Storage	1 SD Card Slot, Support 256G
GPS	Support
IO input	2 Channels
Speed (pulse signal)	1 Channel
RS232	1 Channel
USB	1 Channel
Voltage Output	5V/12V
Audio Input	Internal MIC
Audio Output	Internal speaker
Battery	Optional, support external battery (UPS)
G-Sensor	Accelerometer, Gyroscope 6 axis
Horizontal Resolution	1080P
Effective Pixel	1920(H)*1080(V)
Lens and Horizontal angle of view	2.8 mm lens Road camera, >90°
Operating Voltage	9V-16V DC
Power Consumption	7W
Dimensions	100 x 90 x 37.5 mm
Net Weight	15.87oz
Weatherproof/Water Proof	N/A
Operating Temperature	13° ~ 167°F


Dimension


Highlights

Up to 20% of traffic accidents can be contributed to driver fatigue. This percentage increases dramatically with prolonged distractions both inside and outside the vehicle such as phone use, drinks and food inside the cabin, etc.

This compact and intuitive internal camera helps drivers stay alert and focused on driving. It does this by detecting distractions and signs of fatigue and monitoring the driver's attention to the road with visual and audible alerts in real time. The system continuously scans the driver for signs of fatigue, reducing vehicle accidents on the road.



Alerts including:

- Yawning
- Closed eyes
- Driver smoking
- Driver drinking
- Camera lock
- Making phone calls

Specifications

Camera type	AHD Camera
Image Sensor	1/2.9" CMOS
TV System	PAL/NTSC
Horizontal Resolution	720P
Lens	6 mm
Effective Pixel	1280(H) x 720(V)
Min illumination	0.01Lux @(F1.2,AGC ON)
S/N Ratio	More than 72dB (AGC OFF)
WDR	D-WDR
IR	Support
Tilt Adjusting	Adjustable
Power Supply	12V DC ±10%
Dimensions	80 x 86.5 x 37.5 mm
Net Weight	5.29oz
Weatherproof/Water Proof	N/A
Operating Temperature	-13°F ~ 167°F

Dimension

