



Network

Fisheye

ANE-L7012R

4MP H.265 IR Fisheye Camera



Key Features

- Maximum 4MP resolution
- 3mm fixed focal
- Color : 0.13Lux (F1.6, 1/30sec), BW : 0Lux (IR LED on)
- Maximum 30fps@4MP (H.265/H.264)
- H.265/H.264, MJPEG codec support, Multiple streaming
- Day & Night (ICR), WDR (120dB)
- Tampering, Motion detection, Defocus detection, Virtual area(Intrusion/Enter/Exit), Virtual line(Crossing/Direction)
- Micro SD/SDHC/SDXC 1slot 128GB
- Hallway view, WiseStream II support
- IR Viewable length 20m(65.62ft)
- LDC, PoE

ANE-L7012R

4MP H.265 IR Flateye Camera



Specifications

Video

Imaging Device	1/2.8" CMOS
Resolution	2560 x 1440, 1920 x 1080, 1280 x 960, 1280 x 720, 800 x 600, 800 x 448, 720 x 576, 720 x 480, 640 x 480, 640 x 360, 320 x 240
Max. Framerate	H.265/H.264 : Max. 30fps at 4M all resolutions MJPEG : Max. 15fps
Min. Illumination	Color : 0.13Lux (F1.6, 1/30sec) B/W : 0Lux (IR LED On)

Lens

Focal Length (Zoom Ratio)	3mm fixed focal
Max. Aperture Ratio	F1.6
Angular Field of View	H: 98.3° / V: 54.2° / D: 114.6°
Min. Object Distance	1.1m(3.6ft)
Focus Control	Fixed

Pan / Tilt / Rotate

Pan / Tilt / Rotate Range	0° ~ 350° / 0° ~ 67° / 0° ~ 355°
---------------------------	----------------------------------

Operational

Camera Title	Displayed up to 85 characters
Day & Night	Auto(ICR)
Backlight Compensation	BLC, WDR, SSSR
Wide Dynamic Range	120dB
Digital Noise Reduction	SSNR
Motion Detection	4ea, polygonal zones
Privacy Masking	6ea, rectangular zones
Gain Control	Low / Middle / High
White Balance	ATW / AWC / Manual / Indoor / Outdoor
LDC	Support
Electronic Shutter Speed	Minimum/Maximum/Anti flicker (1/5~1/12,000sec)
Video Rotation	Flip, Mirror, Hallway view(90/270)
Analytics	Defocus detection, Motion detection, Tampering, Virtual area(Intrusion/Enter/Exit), Virtual line(Crossing/Direction)
Alarm Triggers	Analytics, Network disconnect
Alarm Events	File upload via FTP and e-mail, Notification via e-mail, SD/SDHC/SDXC or NAS recording at event triggers, Handover
IR Viewable Length	20m(65.62ft)

Network

Ethernet	RJ-45 (10/100BASE-T)
Video Compression	H.265/H.264 : Main/High, MJPEG
Smart Codec	Manual (5ea area), WiseStream II
Bitrate Control	H.264/H.265 : CBR or VBR MJPEG : VBR

Streaming	Unicast (6 users) / Multicast Multiple streaming (Up to 3 profiles)
Protocol	IPv4, IPv6, TCP/IP, UDP/IP, RTP(UDP), RTP(TCP), RTCP, RTSP, NTP, HTTP, HTTPS, SSL/TLS, DHCP, PPPoE, FTP, SMTP, ICMP, IGMP, SNMPv1/v2c/v3(MIB-2), ARP, DNS, DDNS, QoS, PIM-SM, UPnP, Bonjour, LLDP
Security	HTTPS(SSL) Login Authentication Digest Login Authentication IP Address Filtering User access log 802.1X Authentication(EAP-TLS, EAP-LEAP)
Application Programming Interface	ONVIF Profile S/G/T, SUNAPI (HTTP API)

General

Webpage Language	English
Edge Storage	Micro SD/SDHC/SDXC 1slot 128GB
Memory	512MB RAM, 256MB Flash

Environmental & Electrical

Operating Temperature / Humidity	-30°C ~ +55°C(-22°F ~ +131°F) / Less than 95% RH * Start up should be done at above -20°C(-4°F)
Storage Temperature / Humidity	-30°C ~ +55°C(-22°F ~ +131°F) / Less than 95% RH
Certification	IP67, IK10
Input Voltage	PoE(IEEE802.3af, Class3)
Power Consumption	Max 7.5W, typical 5.7W

Mechanical

Color / Material	White / Plastic, Aluminum
RAL Code	RAL9003
Product Dimensions / Weight	Ø125.0x87.4mm(Ø4.92x3.44"), 630g
Compatible Conduit hole / Gangbox	None / Single, Double, 4" Octagon

DORI (EN62676-4 standard)

Detect (25PPM/ 8PPF)	44.3m(145.25ft)
Observe (63PPM/ 19PPF)	17.7m(58.10ft)
Recognize (125PPM/ 38PPF)	8.9m(29.05ft)
Identify (250PPM/ 76PPF)	4.4m(14.53ft)



ANE-L7012R

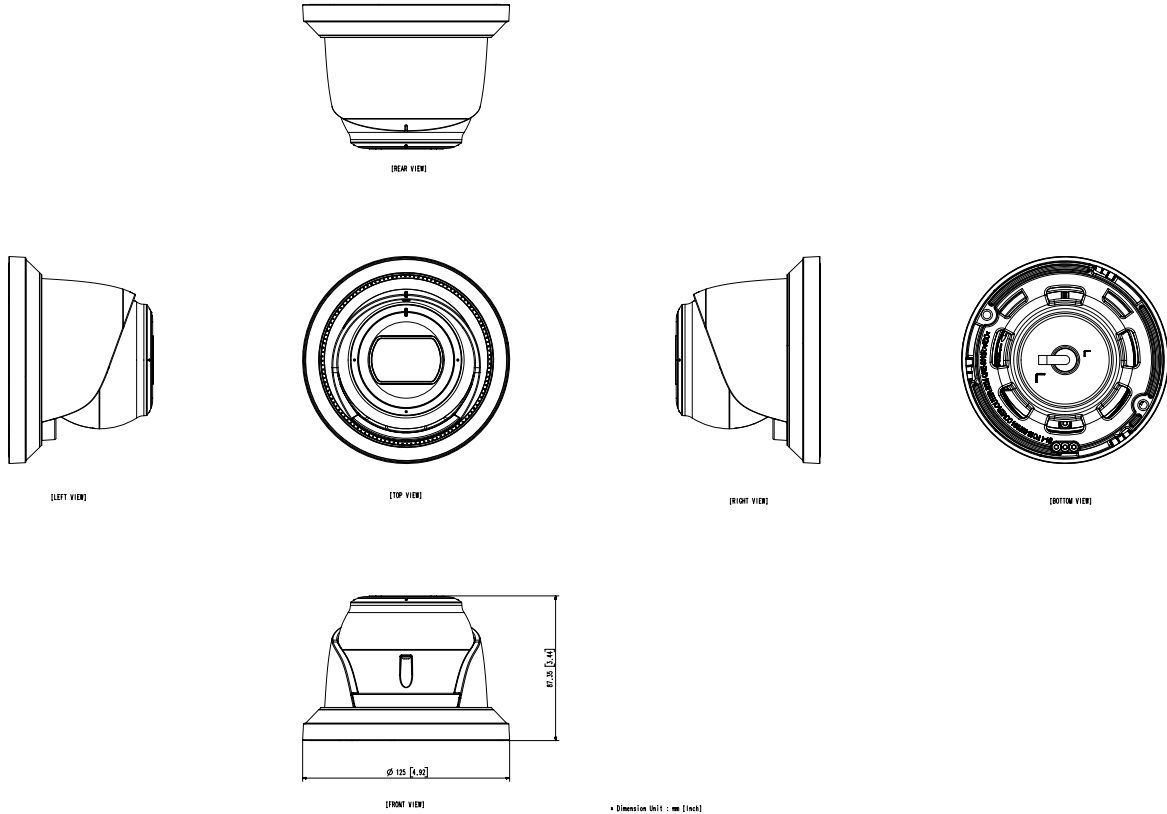
4MP H.265 IR Flateye Camera

CAD

Unit: mm [inch]

This parts should not replace any components which are specified by IEC60950

NO	PART NAME	CODE NO.	MATERIAL	Q'TY	REMARK
1	ANE-L7012R-QNB-001(R.Y)	00001	Cast-Alu	1	-



* Dimension Unit : mm [inch]

A1 CHANGE

REV	DATE	DESIGNER	CHECK	APPROVAL	PART NAME	APPEARANCE
		CHOI, R.S		CHOI, Y.S		APPARANCE_QNB-0111B
SCALE	1/1	FIG. NO. 001		FIG. NO. 001		QNB-0011R/QNB-0021R
					CODE NO.	QNB-0011R/QNB-0021R