

**Warranty Registration:**  
register online today for a  
chance to win a FREE Tripp Lite  
product—[www.tripplite.com/warranty](http://www.tripplite.com/warranty)



# Owner's Manual

## Portable Air Conditioning Unit

SRCOOL12K (120V, 60 Hz)  
SRXCOOL12K (230V, 50 Hz)

<b>Introduction</b>	<b>2</b>
<b>Important Safety Instructions</b>	<b>2</b>
<b>Features</b>	<b>3</b>
<b>Installation</b>	<b>4</b>
<b>Operation</b>	<b>8</b>
<b>Maintenance</b>	<b>9</b>
<b>Troubleshooting</b>	<b>10</b>
<b>Storage &amp; Service</b>	<b>10</b>
<b>Warranty &amp; Warranty Registration</b>	<b>10</b>
<b>Español</b>	<b>11</b>
<b>Français</b>	<b>21</b>
<b>Русский</b>	<b>31</b>



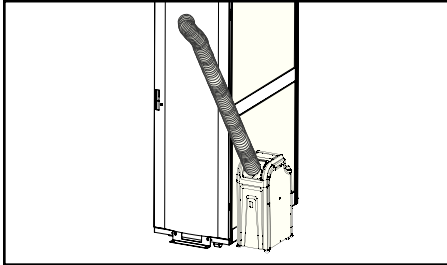
1111 W. 35th Street, Chicago, IL 60609 USA  
[www.tripplite.com/support](http://www.tripplite.com/support)

Copyright © 2011 Tripp Lite.

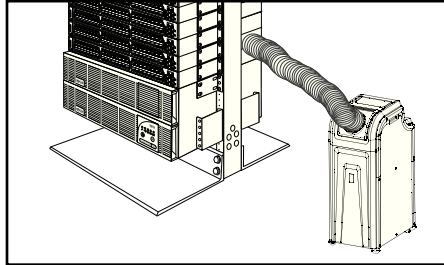
## Introduction

The self-contained Portable Air Conditioning Unit (SRCOOL12K/SRXCOOL12K) provides 12,000 BTU (up to 3.4kW) of supplemental cooling capacity. Designed for IT environments, it's ideal for cooling overheated rack enclosures, IT equipment hot spots and network closets without access to facility air conditioning. The Portable Air Conditioning Unit can focus cool air through its flexible cooling duct or cool a small room through its louvered vent. It also filters and dehumidifies air to improve operating conditions and equipment reliability. Condensate is re-evaporated for drip-free operation, so you won't waste time emptying water collection tanks. The self-contained design does not require any plumbing or special circuits, so setup is quick and easy. Eco-friendly R410A refrigerant meets environmental standards worldwide.

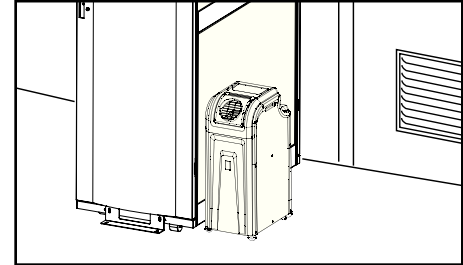
### Recommended Applications:



1. Cooling an overheated rack enclosure.



2. Cooling an equipment hot spot inside or outside a rack enclosure.



3. Cooling a small room.

## Important Safety Instructions



### SAVE THESE INSTRUCTIONS

This manual contains instructions and warnings that should be followed during the installation, operation and storage of this product. Failure to heed these warnings may affect your warranty.

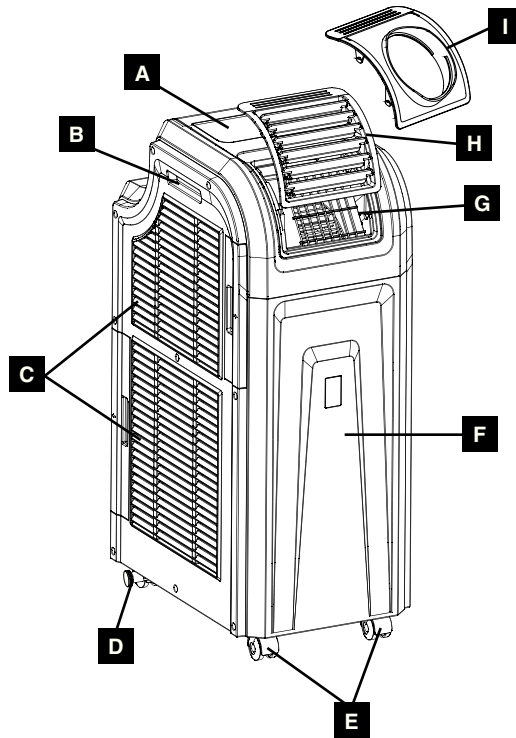
### Warnings

- The individual user should determine prior to use whether this device is suitable, adequate or safe for the use intended. Since individual applications are subject to great variation, the manufacturer makes no representation or warranty as to the suitability or fitness of this device for any specific application.
- Install the unit indoors, away from extreme temperatures or humidity, direct sunlight, dust and conductive contaminants.
- Leave adequate space around the unit for ventilation, with rear and vented sides not less than 20 inches (51 cm) from walls or other obstacles.
- Install the unit on a flat surface with a gradient no more than 10°.
- Connect the unit directly to a grounded AC power outlet. Failure to do so may cause an electric shock or fire.
- The power supply for the unit must be rated in accordance with the unit's nameplate.
- Do not modify the plug nor use an adapter that would eliminate the ground connection.
- Do not use an extension cord to connect the unit to an AC outlet. Use only the power cord that came with the unit.
- Comply with all applicable wiring and safety regulations, such as National Electrical Code (NEC) in the United States.
- Do not plug additional equipment into the outlet where the unit is plugged in. Overloading the outlet may cause an electric shock or fire.
- Do not attempt to turn the unit on or off by connecting or disconnecting the AC plug. A serious electric shock may occur. Use the ON/OFF button to turn the unit on or off.
- Turn the unit off and unplug it from the AC outlet before performing maintenance.
- Before connecting the unit to a dedicated drainage system, turn it off and unplug it. There is a risk of electric shock while the unit is plugged in.
- Maintenance should be performed by trained personnel only.
- Do not use thinners, alcohol, detergents or abrasive brushes to clean the unit's cabinet. These items may damage the cabinet.
- Do not pour water over the unit. This may cause an electric shock and damage the unit.
- Do not operate the unit without the air filter. This may cause dust accumulation that may damage the unit.
- Do not attempt to operate the unit in a room with inadequate air circulation. Provide makeup air in accordance with applicable building codes.
- Do not place objects on top of the unit.
- Use of this equipment in life support applications where failure of this equipment can reasonably be expected to cause the failure of the life support equipment or to significantly affect its safety or effectiveness is not recommended. Do not use this equipment in the presence of a flammable anesthetic mixture with air, oxygen or nitrous oxide.

# Features

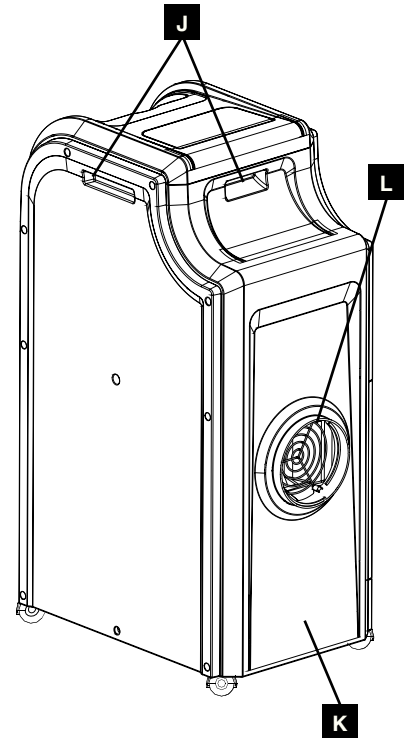
## Front View

- A** Control Panel
- B** Recessed Handle
- C** Air Filter Covers
- D** Drainage Outlet  
*(Shown with Drainage Plug Installed)*
- E** Casters
- F** Front Panel
- G** Cool Air Output Vent
- H** Louvered Vent Insert *(Pre-Installed)*
- I** Cooling Duct Adapter *(Optional)*



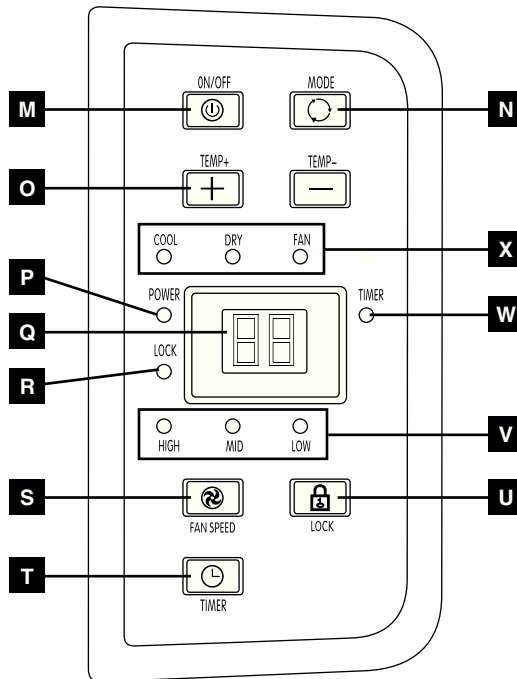
## Rear View

- J** Recessed Handles
- K** Rear Panel
- L** Warm Air Exhaust Vent



## Control Panel

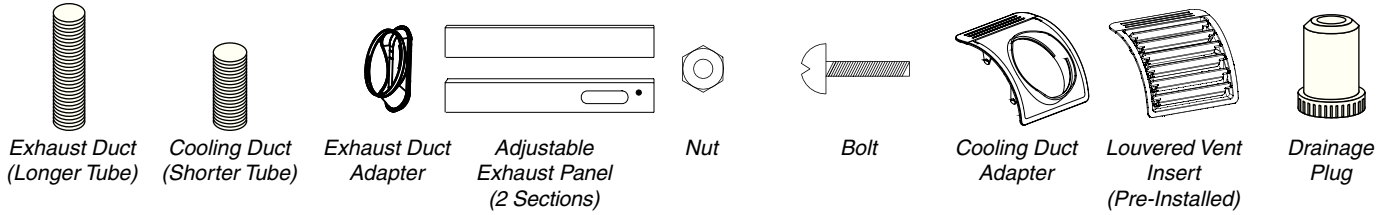
- M** "ON/OFF" Button
- N** "MODE" Button
- O** Temperature Control Buttons
- P** "POWER" LED
- Q** Numeric Display *(For Temperature or Time Delay)*
- R** "LOCK" LED
- S** "FAN SPEED" Button
- T** "TIMER" Button
- U** "LOCK" Button
- V** Fan Speed LEDs
- W** "TIMER" LED
- X** Operating Mode LEDs



# Installation

**Warning:** After removing the unit from the shipping container, check for damage or missing parts. (Refer to the parts list below.) If you notice a problem, visit [www.tripplite.com/support](http://www.tripplite.com/support) for service. Do not attempt to operate a damaged unit.

## Accessory Parts List:

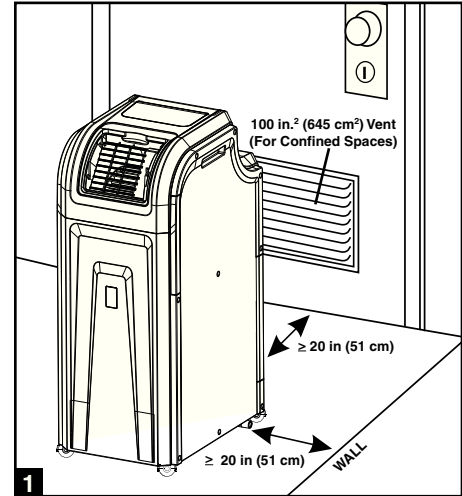


## 1 Unit Placement

Place the unit on a flat, level surface near a grounded AC outlet rated in accordance with the unit nameplate (90-110% of specified voltage). Leave adequate space around the unit for ventilation, with rear and vented sides not less than 20 inches (51 cm) from walls or other obstacles. Place the unit in a location with convenient access to a drop ceiling or window to provide the straightest, shortest path available for the flexible exhaust duct. If you plan to use the flexible cooling duct to focus cool air on a specific rack enclosure or device, place the unit near the targeted rack enclosure or device to provide the straightest, shortest path available for the cooling duct.

**Warning:** Do not use an extension cord to connect the unit to an AC outlet. Use only the power cord that came with the unit.

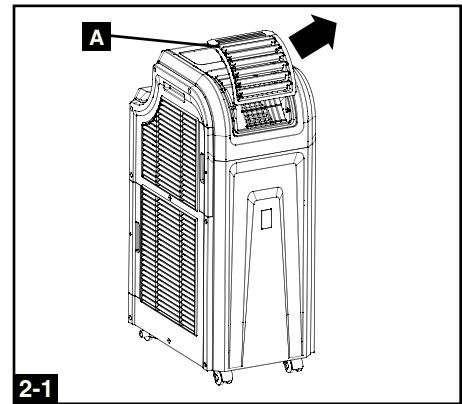
*Note:* If the unit will operate in a confined space (such as closet), you must supply makeup air in order to maintain airflow efficiency. A 100 in.<sup>2</sup> (645 cm<sup>2</sup>) or larger vent installed near the bottom of the door should supply adequate makeup air for a typical closet. Consult applicable building codes for more information.



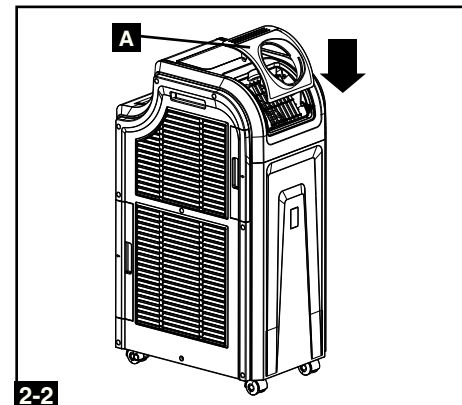
## 2 Cooling Duct Connection (Optional)

The pre-installed louvered vent insert is appropriate for room cooling applications. If you plan to cool a room, skip step 2 and proceed to step 3. If you plan to use the flexible cooling duct to focus cool air on a specific device or rack enclosure, follow the instructions below.

**2-1** Remove the louvered vent insert **A** by pulling it outward and upward.

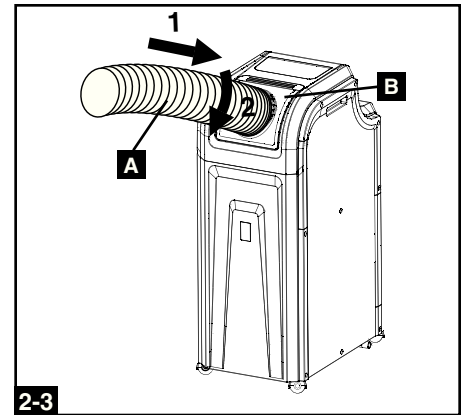


**2-2** Align the cooling duct adapter **A** in the vent opening and push it downward until it snaps into place.

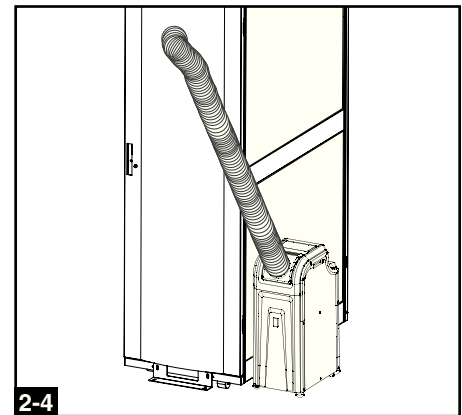


## Installation (continued)

- 2-3** Connect the flexible cooling duct (shorter tube **A**) to the cooling duct adapter **B**. Align the duct with the circular adapter opening, push the duct downward and turn the duct clockwise until it screws into the adapter solidly.

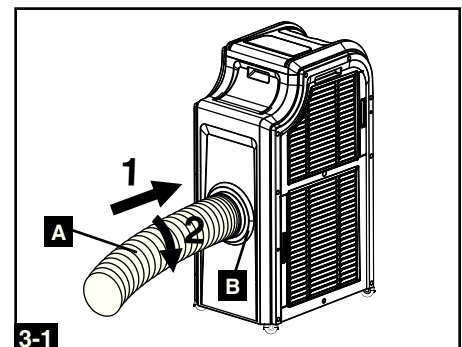


- 2-4** Place the other end of the cooling duct near the air intake of the target device or rack enclosure, using the straightest, shortest path available. If you plan to cool a rack enclosure, place the end of the cooling duct over a perforated area near the top of the enclosure's front door (or near the top of the bank of equipment that requires cooling). Cool air will sink and spread across the air intakes at the front of the rack enclosure.



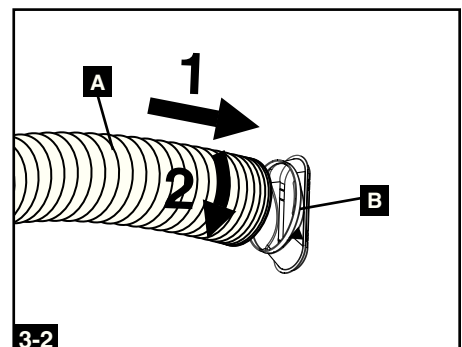
### 3 Exhaust Duct Connection

- 3-1** Connect the flexible exhaust duct (longer tube **A**) to the warm air exhaust vent on the rear panel of the unit **B**. Align the duct with the circular vent opening, push the duct inward and turn the duct clockwise until it screws into the exhaust vent solidly.



- 3-2** Connect the other end of exhaust duct **A** to the exhaust duct adapter **B**. Align the duct with the circular adapter opening, push the duct inward and turn the duct clockwise until it screws into the adapter solidly.

If you plan to connect the exhaust duct to a drop ceiling, proceed to step **4**. If you plan to connect the exhaust duct to a window, proceed to step **5**.



## Installation (continued)

### 4 Drop Ceiling Exhaust Connection

**Warning:** Some ceilings may require modified installation procedures. The user must determine the fitness of hardware and procedures before installing. The procedures described in this manual may not be appropriate for all applications.

**4-1** Choose a removable drop ceiling panel near the unit to provide the straightest, shortest path available for the flexible exhaust duct. Measure the width of the ceiling panel, including the portion that rests on the ceiling grid. Combine the two sections of the adjustable exhaust panel, then adjust the exhaust panel to match the width of the ceiling panel. After the exhaust panel is set to the correct width, use the included nut and bolt to lock it in place. *Note: The exhaust panel can adjust from 26.6 to 49.2 inches (67.5 to 125 cm).*

**4-2** Insert the exhaust duct adapter into the oblong hole in the adjustable exhaust panel. The adapter will snap into place.

**4-3** Slide the ceiling panel out of the way and place the exhaust panel inside the ceiling space. Allow the exhaust panel to rest on top of the ceiling grid. *Note: There must be at least 10 inches (25.4 cm) of open space above the exhaust panel to allow adequate airflow.*

**4-4** Slide the ceiling panel back into place so that it adjoins the exhaust panel and closes any gaps in the ceiling. A tight seal will permit maximum cooling efficiency. If the installation is permanent, trim the ceiling panel so it doesn't overlap the ceiling grid.

*Note: The flexible exhaust duct can extend to a maximum length of 118 inches (300 cm). Provide the straightest, shortest path available. Excessive bending or stretching of the duct will reduce cooling efficiency.*

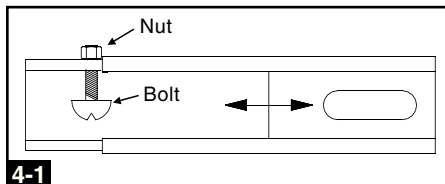
After completing step 4, proceed to step 6.

### 5 Window Exhaust Connection

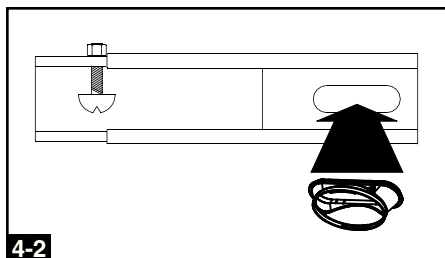
**Warning:** Some windows may require modified installation procedures. The user must determine the fitness of hardware and procedures before installing. The procedures described in this manual may not be appropriate for all applications.

**5-1** Measure the window opening. Combine the two sections of the adjustable exhaust panel, then adjust the exhaust panel to match the width of the window opening. After the exhaust panel is set to the correct width, use the included nut and bolt to lock it in place. *Note: The exhaust panel can adjust from 26.6 to 49.2 inches (67.5 to 125 cm). It is compatible with vertical and horizontal mounting.*

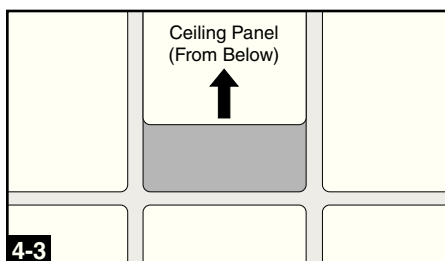
**5-2** Insert the exhaust duct adapter into the oblong hole in the adjustable exhaust panel. The adapter will snap into place.



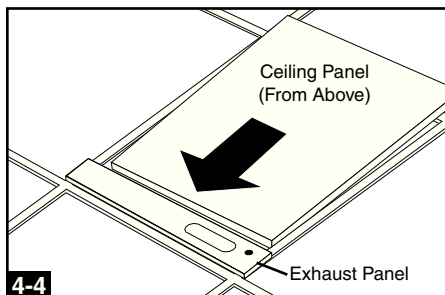
4-1



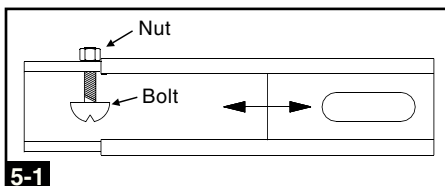
4-2



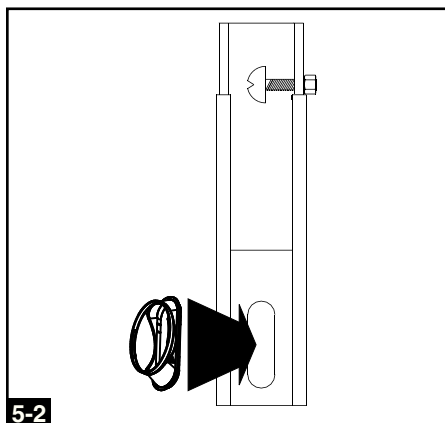
4-3



4-4



5-1

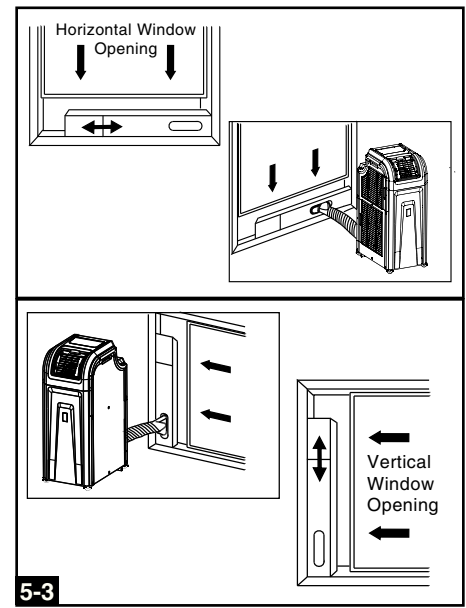
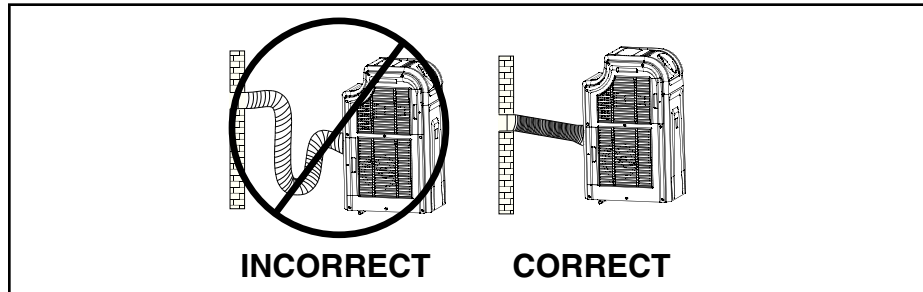


5-2

## Installation (suite)

- 5-3** Insert the exhaust panel into the window opening, then close the window against the exhaust panel. A tight seal will permit maximum cooling efficiency. *Note: There must be at least 10 inches (25.4 cm) of open space behind the exhaust panel to allow adequate airflow.*

*Note: The flexible exhaust duct can extend to a maximum length of 118 inches (300 cm). Provide the straightest, shortest path available. Excessive bending or stretching of the duct will reduce cooling efficiency.*



## 6 Drainage Plug Insertion

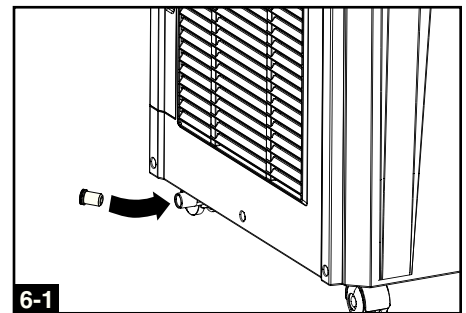
**Warning: The unit's built-in re-evaporator will not function until you insert the drainage plug into the drainage outlet.**

When the unit cools or dehumidifies, condensation forms. The unit has a built-in re-evaporator that allows it to expel condensation through the warm air exhaust stream. This feature allows the unit to operate indefinitely without requiring you to empty a water collection tank.

- 6-1** Insert the drainage plug into the drainage outlet to enable the re-evaporation of condensation.

*Note: You can connect the drainage outlet to a dedicated drainage system instead of using the re-evaporation feature. Remove the drainage plug if it is installed, connect one end of a suitable drain tube to the drainage outlet and connect the other end of the drain tube to your facility's drainage receptacle. If the drainage system becomes clogged, a small internal reservoir will collect condensation. If the drainage system is not cleared before the internal reservoir fills, the unit will shut down automatically.*

**Warning: Before connecting the unit to a dedicated drainage system, turn it off and unplug it. There is a risk of electric shock while the unit is plugged in.**



# Operation

**Warning:** Install the unit according to the instructions in the “Installation” section before attempting to operate it.

## Power

Turn the unit on or off by pressing the “ON/OFF” button.

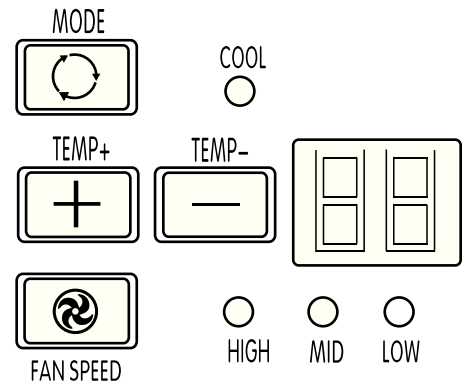


## Automatic Restart Feature

The unit will turn on and resume operation automatically when power is restored after a power outage. The unit will use the same settings that it used immediately before the power outage occurred. *Note: If the power outage is brief, the unit will run in Fan mode for two minutes before resuming normal operation. The delay allows the compressor to depressurize so the unit will function properly when it enters Cool mode.*

## Cool Mode

Pressing the “MODE” button cycles between Cool mode, Dehumidify mode and Fan mode. The “COOL” LED illuminates when Cool mode is active.

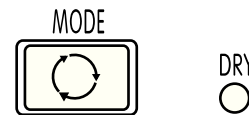


Press the TEMP+ and TEMP- buttons to set the temperature in Cool mode. The selected temperature is shown on the numeric display.

Press the “FAN SPEED” button to cycle between high, medium and low fan speeds. An LED illuminates to indicate the selected fan speed.

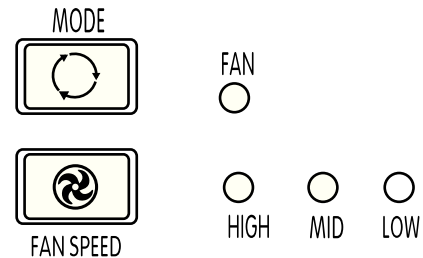
## Dehumidify Mode

Pressing the “MODE” button cycles between Cool mode, Dehumidify mode and Fan mode. The “DRY” LED illuminates when Dehumidify mode is active. In Dehumidify mode, the fan runs at a fixed speed and temperature controls are irrelevant. Close windows and doors for optimal performance in Dehumidify mode.



## Fan Mode

Pressing the “MODE” button cycles between Cool mode, Dehumidify mode and Fan mode. The “FAN” LED illuminates when Fan mode is active.



Press the “FAN SPEED” button to cycle between high, medium and low fan speeds. An LED illuminates to indicate the selected fan speed.

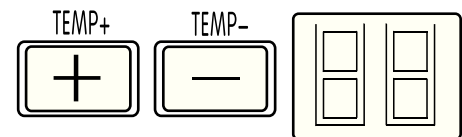
## Timer

The “TIMER” button allows you to schedule the unit to turn on or off automatically. The “TIMER” LED illuminates when Timer mode is active.



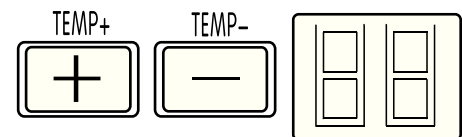
**Timer On** (*Note: The unit must be off to activate the Timer On function. Confirm that mode, temperature and fan speed settings are correct before activating the Timer On function.*)

Activate the timer by pressing the “TIMER” button. Press the TEMP+ and TEMP- buttons to set the delay (in hours) before the unit will turn on. The number of hours is shown on the numeric display. Press the “TIMER” button again to confirm the delay.



**Timer Off** (*Note: The unit must be on to activate the Timer Off function.*)

Activate the timer by pressing the “TIMER” button. Press the TEMP+ and TEMP- buttons to set the delay (in hours) before the unit will turn off. The number of hours is shown on the numeric display. Press the “TIMER” button again to confirm the delay.





## Operation (continued)

### System Lock

Activate the System Lock function by pressing the “LOCK” button. When the System Lock function is active, the “LOCK” LED illuminates and all other buttons are disabled to prevent accidental input. Deactivate the System Lock function by pressing the “LOCK” button again.



## Maintenance

Periodic maintenance extends the unit's lifespan and permits maximum operating efficiency.

### Cleaning the Air Filters

It is important to keep the air filters clean and free of dust. When the filters are dirty or clogged with dust, it decreases cooling efficiency and can threaten air quality. Tripp Lite recommends cleaning the filters at least once every two weeks.

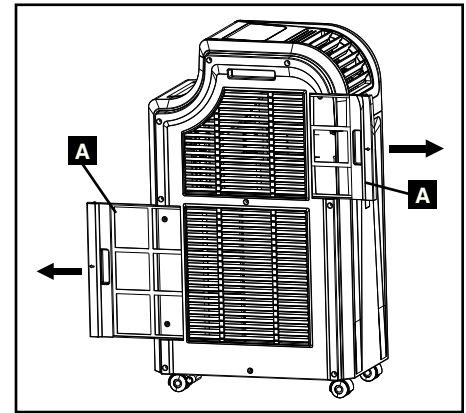
**⚠ Before cleaning the filters, turn the unit off and unplug it! There is a risk of electric shock while the unit is plugged in.**

1. Turn the unit off and unplug it.
2. Remove the filters **A** by sliding them out of the cabinet.
3. Wash the filters in warm water with a neutral detergent. Do not put the filters into a dishwasher or use harsh detergents or chemicals. Allow the filters to air dry completely after washing. *Note: Do not use water hotter than 104° F (40° C) to clean the filters.*
4. Replace the filters by sliding them back into their original position.
5. Plug the unit in and resume normal operation.

### Cleaning the Cabinet

**⚠ Before cleaning the cabinet, turn the unit off and unplug it! There is a risk of electric shock while the unit is plugged in.**

1. Turn the unit off and unplug it.
2. Wipe the unit with a dry, non-abrasive cloth. Do not use gasoline, benzene, thinners or other harsh chemicals that may damage the surface. Do not pour water directly over the unit or into the working parts. This causes a risk of electrical shock and deterioration of electrical components and wiring insulation.
3. In extreme cases, wipe the unit with a damp cloth to remove residue.



## Troubleshooting

Review the possible solutions below. If the problem persists, please visit [www.tripplite.com/support](http://www.tripplite.com/support) for service.

Problem	Possible Cause	Possible Solution
The unit does not function.	The unit is turned off.	Turn the unit on. (See "Operation" section.)
	The unit is not plugged in.	Plug the unit into a suitable outlet.
	Main power is off.	Check fuses or circuit breaker.
Cooling performance is unsatisfactory.	The air exhaust or intake is blocked.	Confirm that all ducts and intakes are clear of obstructions.
	The temperature setting is too high.	Adjust the temperature setting.
	The fan speed setting is too low.	Adjust the fan setting.
	The air filters are dirty.	Clean the air filters.
	The wattage of the rack enclosure, the size of the room or the ambient temperature exceeds the cooling capacity of a single unit.	Install additional units or contact Tripp Lite for additional cooling solutions suitable for your application.
The unit leaks water.	The drainage plug is not installed.	Insert the drainage plug in the drainage outlet. (See "Installation" section.)
The unit generates excessive noise or vibration.	The unit is on an uneven or unstable surface.	Move the unit to a level, stable surface.

## Storage and Service

### Storage

Before storing the unit, confirm that the ducts and vents are secured or removed and cared for properly. Also confirm that the unit is drained of condensation.

### Service

Your Tripp Lite product is covered by the warranty described in this manual. A variety of Extended Warranty and On-Site Service Programs are also available from Tripp Lite. For more information on service, visit [www.tripplite.com/support](http://www.tripplite.com/support). Before returning your product for service, follow these steps:

1. Review the installation and operation procedures in this manual to insure that the service problem does not originate from a misreading of the instructions.
2. If the problem continues, do not contact or return the product to the dealer. Instead, visit [www.tripplite.com/support](http://www.tripplite.com/support).
3. If the problem requires service, visit [www.tripplite.com/support](http://www.tripplite.com/support) and click the Product Returns link. From here you can request a Returned Material Authorization (RMA) number, which is required for service. This simple on-line form will ask for your unit's model and serial numbers, along with other general purchaser information. The RMA number, along with shipping instructions will be emailed to you. Any damages (direct, indirect, special or consequential) to the product incurred during shipment to Tripp Lite or an authorized Tripp Lite service center is not covered under warranty. Products shipped to Tripp Lite or an authorized Tripp Lite service center must have transportation charges prepaid. Mark the RMA number on the outside of the package. If the product is within its warranty period, enclose a copy of your sales receipt. Return the product for service using an insured carrier to the address given to you when you request the RMA.

### Warranty

#### 1-YEAR LIMITED WARRANTY

Seller warrants this product, if used in accordance with all applicable instructions, to be free from original defects in material and workmanship for a period of 1 year from the date of initial purchase. If the product should prove defective in material or workmanship within that period, Seller will repair or replace the product, in its sole discretion. Service under this Warranty can only be obtained by your delivering or shipping the product (with all shipping or delivery charges prepaid) to: Tripp Lite, 1111 W. 35th Street, Chicago, IL 60609 USA. Seller will pay return shipping charges.

THIS WARRANTY DOES NOT APPLY TO NORMAL WEAR OR TO DAMAGE RESULTING FROM ACCIDENT, MISUSE, ABUSE OR NEGLIGENCE. SELLER MAKES NO EXPRESS WARRANTIES OTHER THAN THE WARRANTY EXPRESSLY SET FORTH HEREIN. EXCEPT TO THE EXTENT PROHIBITED BY APPLICABLE LAW, ALL IMPLIED WARRANTIES, INCLUDING ALL WARRANTIES OF MERCHANTABILITY OR FITNESS, ARE LIMITED IN DURATION TO THE WARRANTY PERIOD SET FORTH ABOVE; AND THIS WARRANTY EXPRESSLY EXCLUDES ALL INCIDENTAL AND CONSEQUENTIAL DAMAGES. (Some states do not allow limitations on how long an implied warranty lasts, and some states do not allow the exclusion or limitation of incidental or consequential damages, so the above limitations or exclusions may not apply to you. This Warranty gives you specific legal rights, and you may have other rights which vary from jurisdiction to jurisdiction).

WARNING: The individual user should determine prior to use whether this device is suitable, adequate or safe for the use intended. Since individual applications are subject to great variation, the manufacturer makes no representation or warranty as to the suitability or fitness of this device for any specific application.

#### WARRANTY REGISTRATION

Visit [www.tripplite.com/warranty](http://www.tripplite.com/warranty) today to register the warranty for your new Tripp Lite product. You'll be automatically entered into a drawing for a chance to win a FREE Tripp Lite product!\*

\* No purchase necessary. Void where prohibited. Some restrictions apply. Open to U.S. residents only. See [www.tripplite.com](http://www.tripplite.com) for details.

#### Regulatory Compliance Identification Numbers

For the purpose of regulatory compliance certifications and identification, your Tripp Lite product has been assigned a unique series number. The series number can be found on the product nameplate label, along with all required approval markings and information. When requesting compliance information for this product, always refer to the series number. The series number should not be confused with the marking name or model number of the product.



#### WEEE Compliance Information for Tripp Lite Customers and Recyclers (European Union)

Note: This statement applies to products marked with the WEEE logo.

Under the Waste Electrical and Electronic Equipment (WEEE) Directive and implementing regulations, when customers buy new electrical and electronic equipment from Tripp Lite they are entitled to:

- Send old equipment for recycling on a one-for-one, like-for-like basis (this varies depending on the country)
- Send the new equipment back for recycling when this ultimately becomes waste

Tripp Lite has a policy of continuous improvement. Product specifications are subject to change without notice.



1111 W. 35th Street, Chicago, IL 60609 USA  
[www.tripplite.com/support](http://www.tripplite.com/support)

**Warranty Registration:**  
register online today for a  
chance to win a FREE Tripp Lite  
product—[www.tripplite.com/warranty](http://www.tripplite.com/warranty)



# Manual del Propietario

## Unidad Portátil de Aire Acondicionado

SRCOOL12K (120V, 60 Hz)  
SRXCOOL12K (230V, 50 Hz)

<b>Introducción</b>	<b>12</b>
<b>Instrucciones Importantes de Seguridad</b>	<b>12</b>
<b>Características</b>	<b>13</b>
<b>Instalación</b>	<b>14</b>
<b>Operación</b>	<b>18</b>
<b>Mantenimiento</b>	<b>19</b>
<b>Solución de Problemas</b>	<b>20</b>
<b>Almacenamiento y Servicio</b>	<b>20</b>
<b>Garantía y Registro de Garantía</b>	<b>20</b>
<b>English</b>	<b>1</b>
<b>Français</b>	<b>21</b>
<b>Russian</b>	<b>31</b>



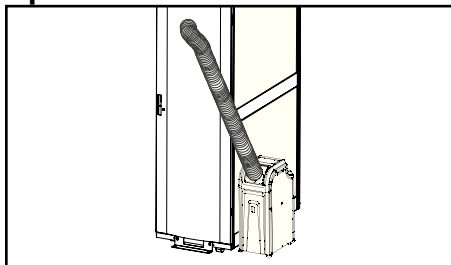
1111 W. 35th Street, Chicago, IL 60609 USA  
[www.tripplite.com/support](http://www.tripplite.com/support)

Copyright © 2011 Tripp Lite.

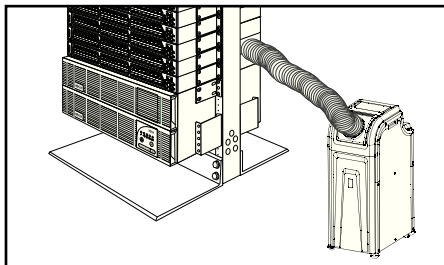
## Introducción

La Unidad independiente Portátil de Aire Acondicionado (SRCOOL12K / SRXCOOL12K) proporciona 12,000 BTU (hasta 3.4 kW) de capacidad complementaria de enfriamiento. Diseñada para ambientes de TI, es ideal para enfriar gabinetes de rack sobrecalentados, puntos calientes de equipo de TI y gabinetes de cableado de red sin acceso al aire acondicionado de la instalación. La Unidad Portátil de Aire Acondicionado puede enfocar aire frío mediante su ducto flexible de enfriamiento o enfriar una sala pequeña a través de su ventila con persianas. Además filtra y seca el aire para mejorar las condiciones de operación y confiabilidad del equipo. El condensado es re- evaporado para una operación libre de goteo, de modo que usted no gaste tiempo vaciando los tanques colectores de agua. El diseño independiente no requiere plomería o circuitos especiales, de modo que la instalación es rápida y fácil. El refrigerante ecológico R410A cumple con los estándares ambientales internacionales.

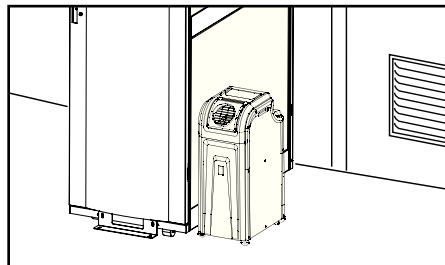
### Aplicaciones Recomendadas



1. Enfriamiento de un gabinete de rack sobrecalentado.



2. Enfriamiento de un punto caliente de equipo dentro o fuera de un gabinete de rack.



3. Enfriamiento de una sala pequeña.

## Instrucciones de seguridad importantes



### GUARDE ESTAS INSTRUCCIONES

Este manual contiene instrucciones y advertencias que deben seguirse durante la instalación, el funcionamiento y el almacenamiento de este producto. Si no tiene en cuenta estas advertencias se puede anular la garantía.

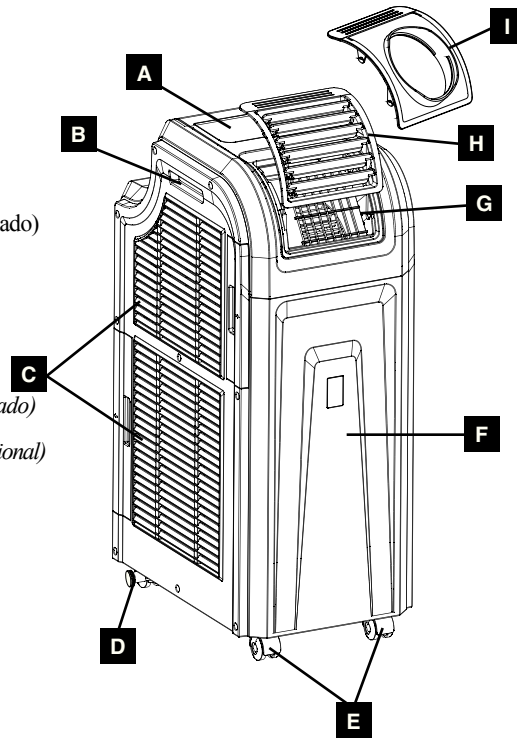
### Advertencias

- Antes de usar este dispositivo, cada usuario debe determinar si es apto, adecuado o seguro para el uso que pretende darle. Dado que las aplicaciones individuales están sujetas a diversas variaciones, el fabricante no representa ni garantiza la idoneidad o condición de este dispositivo para cualquier aplicación específica.
- Instale la unidad en interiores, alejada de temperaturas o humedad extremas, la luz solar directa, polvo y contaminantes conductores.
- Deje espacio adecuado para ventilación alrededor de la unidad, con la parte posterior y costados ventilados a no menos de 51 cm [20 pulgadas] de paredes u otros obstáculos.
- Instale la unidad sobre una superficie plana con una inclinación no mayor de 10°.
- Conecte la unidad a un tomacorriente de CA conectado directamente a tierra. La omisión en esto puede originar una descarga eléctrica o un incendio.
- La alimentación de energía para la unidad debe estar especificada de acuerdo con la placa de identificación de la unidad.
- No modifique la clavija ni utilice un adaptador que elimine la conexión a tierra.
- No utilice cables de extensión para conectar la unidad a un tomacorriente de CA. Use sólo el cable de alimentación suministrado con la unidad.
- Cumpla todos los reglamentos aplicables de cableado y seguridad, como el Código Eléctrico Nacional (NEC) en los EE.UU.
- No enchufe equipo adicional en el tomacorrientes en donde esté conectada la unidad. La sobrecarga del tomacorriente puede causar una descarga eléctrica o un incendio.
- No intente encender o apagar la unidad conectando o desconectando el enchufe de CA. Puede ocurrir una severa descarga eléctrica. Use el botón de ON/OFF para encender y apagar la unidad.
- Apague la unidad y desenchúfela del tomacorrientes de CA antes de realizar el mantenimiento.
- Antes de conectar la unidad a un sistema de drenaje dedicado, apague la unidad y desenchúfela. Existe un riesgo de descarga eléctrica cuando la unidad está enchufada.
- El mantenimiento sólo debe realizarlo personal capacitado.
- No use adelgazantes, alcohol, detergentes o cepillos abrasivos para limpiar el gabinete de la unidad. Estos artículos pueden dañar el gabinete.
- No vierta agua sobre la unidad. Esto puede causar una descarga eléctrica y dañar la unidad.
- No opere la unidad sin el filtro de aire. Esto puede causar una acumulación de polvo que puede dañar la unidad.
- No intente operar la unidad en un cuarto con circulación inadecuada de aire. Proporcione aire complementario de acuerdo con los códigos de construcción aplicables.
- No coloque objetos en la parte superior de la unidad.
- No se recomienda usar este equipo en aplicaciones de mantenimiento artificial de la vida, donde se puede esperar razonablemente que su falla cause la falla del equipo de mantenimiento de la vida o que afecte de manera importante su seguridad o eficiencia. No use este equipo en presencia de mezclas anestésicas inflamables con aire, oxígeno u óxido nitroso.

# Características

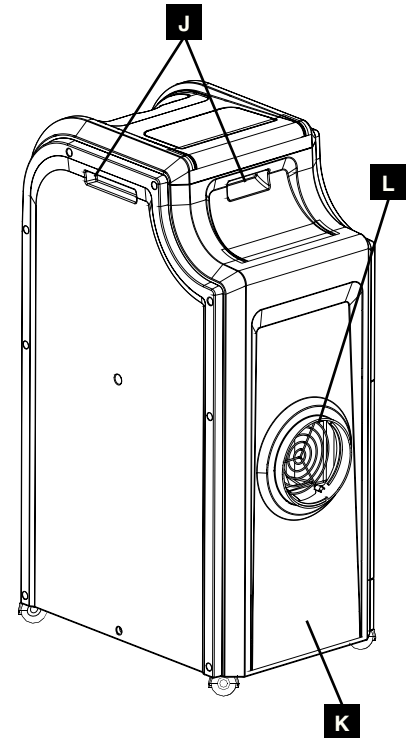
## Vista Frontal

- A** Panel de Control
- B** Manija Empotrada
- C** Cubiertas del Filtro de Aire
- D** Salida de Drenaje  
(Se Muestra con el Tapón de Drenaje Instalado)
- E** Ruedas
- F** Panel Frontal
- G** Ventila de Salida del Aire Frío
- H** Inserto de Ventila con Persiana (Preinstalado)
- I** Adaptador del Ducto de Enfriamiento (Opcional)



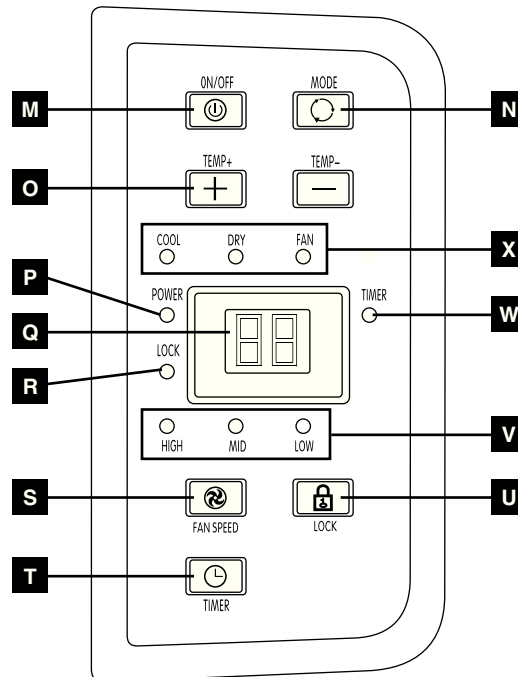
## Vista Posterior

- J** Manijas Empotradas
- K** Panel Posterior
- L** Ventila de Descarga del Aire Caliente



## Panel de Control

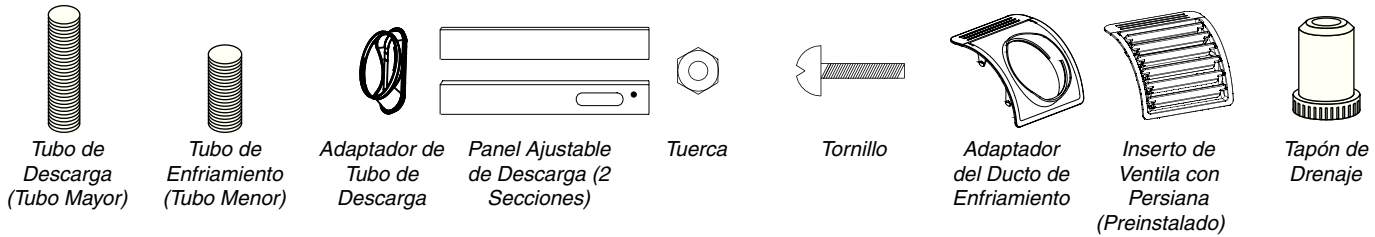
- M** Botón "ON/OFF"
- N** Botón "MODE"
- O** Botones del Control de Temperatura
- P** LED "POWER" (Encendido)
- Q** Pantalla Numérica (Para Temperatura o Retraso de Tiempo)
- R** LED "LOCK" (Bloqueo)
- S** Botón "FAN SPEED" (Vel. Ventilador)
- T** Botón "TIMER" (Temporizador)
- U** Botón "LOCK" (Bloqueo)
- V** LEDs de Velocidad de Ventilador
- W** LED "TIMER" (Temporizador)
- X** LEDs de Modo de Operación



# Instalación

**Advertencia:** Después de retirar la unidad del contenedor de embarque, compruebe para detectar daños o partes faltantes. (Consulte la siguiente lista de partes.) Si detecta un problema, visite [www.tripplite.com/support](http://www.tripplite.com/support) para solicitar servicio. No intente operar una unidad dañada.

## Lista de Piezas Accesorias:

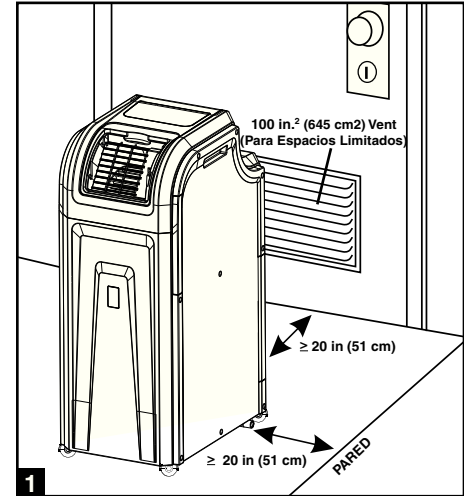


## 1 Ubicación de Unidad

Coloque la unidad sobre una superficie plana, nivelada próxima a un tomacorrientes de CA con conexión a tierra dimensionado de acuerdo con la placa de identificación de la unidad (90 a 110 % de la tensión especificada). Deje espacio adecuado para ventilación alrededor de la unidad, con la parte posterior y costados ventilados a no menos de 51 cm [20 pulgadas] de paredes u otros obstáculos. Coloque la unidad con acceso cómodo a un falso plafón o ventana para proporcionar la ruta más recta y corta disponible para el ducto flexible de descarga. Si planea usar el ducto flexible de enfriamiento para concentrar el aire frío en un gabinete de rack o dispositivo específico, coloque la unidad próxima al gabinete de rack o dispositivo señalado para proporcionar la ruta más recta y corta posible para el ducto de enfriamiento.

**Advertencia:** No utilice cables de extensión para conectar la unidad a un tomacorriente de CA. Use sólo el cable de alimentación suministrado con la unidad.

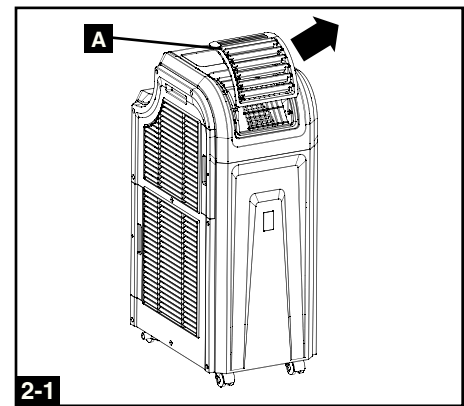
*Nota:* Si la unidad funcionará en un espacio reducido (como un armario), debe suministrar aire suplementario a fin de mantener la eficiencia del flujo de aire. Una ventila de 645 cm<sup>2</sup> (100 pulg<sup>2</sup>) o mayor instalada cerca de la parte inferior de la puerta debe suministrar aire complementario adecuado para un armario típico. Para obtener más información, consulte los códigos de construcción aplicables.



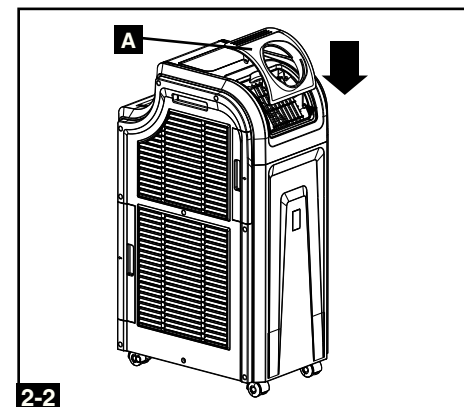
## 2 Conexión del Ducto de Enfriamiento (Opcional)

El inserto de la ventila con persiana preinstalado es apropiado para aplicaciones de enfriamiento de salas. Si planea enfriar una sala, salte el paso 2 y proceda al paso 3. Si planea usar el ducto de enfriamiento para dirigir el aire de enfriamiento a un dispositivo o gabinete de rack específico, siga las instrucciones siguientes.

**2-1** Desmonte el inserto de ventila con persiana **A** jalándolo hacia afuera y hacia arriba.

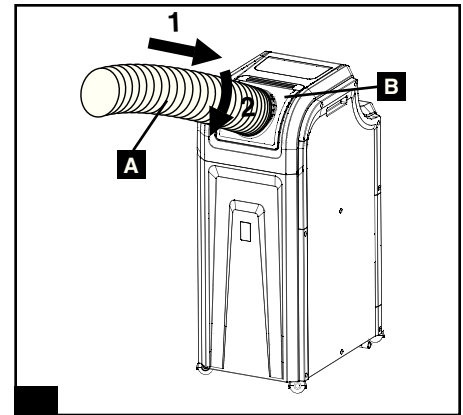


**2-2** Alinee el adaptador del ducto de enfriamiento **A** en la abertura de la ventila y empujelo hacia abajo hasta que asegure en su lugar.

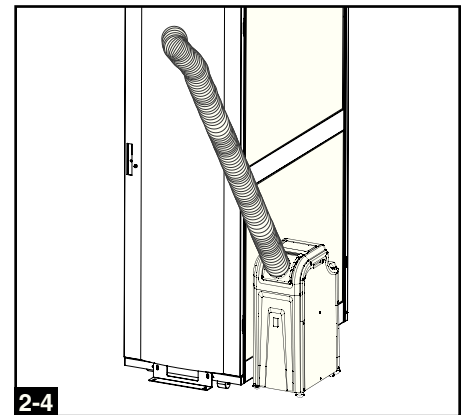


## Instalación (continued)

- 2-3** Conecte el ducto flexible de enfriamiento (el tubo menor **A**) al adaptador del tubo de enfriamiento **B**. Alinee el ducto con la abertura del adaptador circular, empuje el ducto hacia abajo y gire el ducto en sentido de las manecillas del reloj hasta que atornille sólidamente en el adaptador.

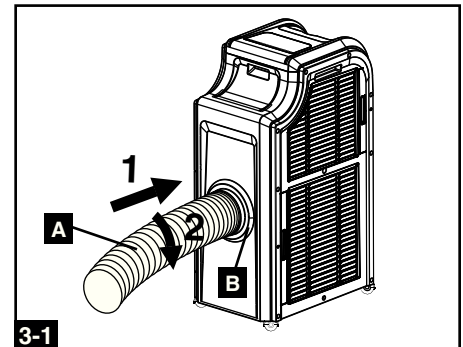


- 2-4** Coloque el otro extremo del ducto de enfriamiento cerca de la entrada de aire del dispositivo o gabinete de rack en cuestión, usando la ruta más recta y corta posible. Si planea enfriar un gabinete de rack, coloque el extremo del ducto de enfriamiento sobre un área perforada cerca de la parte superior de la puerta frontal del gabinete (o cerca de la parte superior del banco de equipo que requiera enfriamiento). El aire frío descenderá y se distribuirá a través del aire entrante en el frente del gabinete de rack.



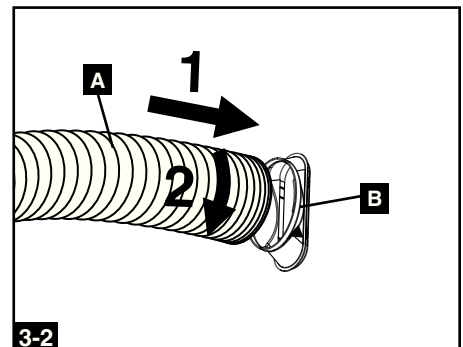
### 3 Conexión del Ducto de Descarga

- 3-1** Conecte el ducto flexible de descarga (el tubo mayor **A**) a la ventila de descarga del aire caliente en el panel posterior de la unidad **B**. Alinee el ducto con la abertura de la ventila circular, empuje el ducto hacia adentro y gire el ducto en sentido de las manecillas del reloj hasta que atornille sólidamente en la ventila de descarga.



- 3-2** Conecte el otro extremo del ducto d descarga **A** al adaptador del ducto de descarga **B**. Alinee el ducto con la abertura del adaptador circular, empuje el ducto hacia adentro y gire el ducto en sentido de las manecillas del reloj hasta que atornille sólidamente en el adaptador.

Si planea conectar el ducto de descarga a un falso plafón, proceda al paso **4**. Si planea conectar el ducto de descarga a una ventana, proceda al paso **5**.



## Instalación (continuación)

### 4 Conexión de Descarga de Falso Plafón

**Advertencia:** Algunos plafones pueden requerir procedimientos de instalación modificados. El usuario debe determinar la aptitud de los accesorios y los procedimientos antes de la instalación. Los procedimientos descritos en este manual pueden no ser apropiados para todas las aplicaciones.

**4-1** Elija un panel desmontable del falso plafón próximo a la unidad para proporcionar la ruta más recta y corta posible para el ducto flexible de descarga. Mida el ancho del panel del plafón, incluyendo la porción que descansa en la rejilla del plafón. Combine las dos secciones del panel ajustable de descarga, ajuste entonces el panel de descarga para coincidir con el panel del plafón. Después que el panel de descarga esté ajustado al ancho correcto, use la tuerca y tornillo incluidos para asegurarlo en su sitio. Nota: El panel de descarga puede ajustarse de 26.6 a 49.2 pulgadas (67.5 a 125 cm).

**4-2** Inserte el adaptador del ducto de descarga en el agujero oblongo en el panel de descarga ajustable. El adaptador se fijará en su lugar..

**4-3** Deslice el panel del plafón a un lado y coloque el panel de descarga dentro del espacio en el plafón. Permita que el panel de descarga descansa en la parte superior de la rejilla del plafón.

*Nota: Debe haber al menos un espacio abierto de 10 pulgadas (25.4 cm) sobre el panel de descarga para permitir el flujo adecuado de aire.*

**4-4** Deslice el panel de plafón de regreso a su sitio de modo que se junte con el panel de descarga y cierre cualquier abertura en el plafón. Un sello hermético permitirá la máxima eficiencia de enfriamiento. Si la instalación es permanente, recorte el panel del plafón de modo que no trasape la rejilla del plafón.

*Nota: El ducto flexible de descarga puede ampliarse a una longitud máxima de 118 pulgadas (300 cm). Proporcione la ruta más recta y corta posible. El doblado o estirado excesivo del ducto reducirá la eficiencia de enfriamiento.*

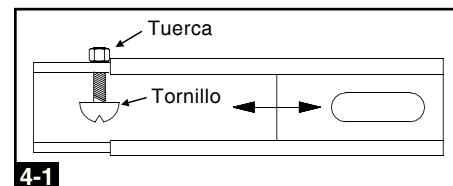
Después de terminar el paso **4**, proceda al paso **6**.

### 5 Conexión de Descarga de Ventana

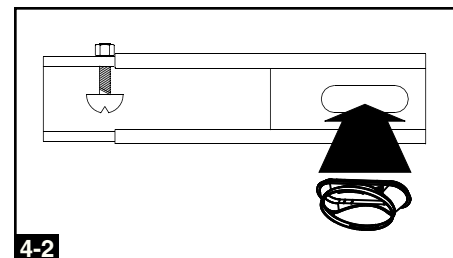
**Advertencia:** Algunas ventanas pueden requerir procedimientos de instalación modificados. El usuario debe determinar la idoneidad de los accesorios y los procedimientos antes de la instalación. Los procedimientos descritos en este manual pueden no ser apropiados para todas las aplicaciones.

**5-1** Mida la abertura de la ventana. Combine las dos secciones del panel ajustable de descarga, ajuste entonces el panel de descarga para coincidir con la abertura de la ventana. Después que el panel de descarga esté ajustado al ancho correcto, use la tuerca y tornillo incluidos para asegurarlo en su sitio. Nota: El panel de descarga puede ajustarse de 26.6 a 49.2 pulgadas (67.5 a 125 cm). Es compatible con instalación vertical y horizontal.

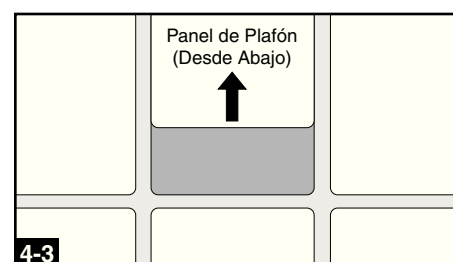
**5-2** Inserte el adaptador del ducto de descarga en el agujero oblongo en el panel de descarga ajustable. El adaptador se fijará en su lugar..



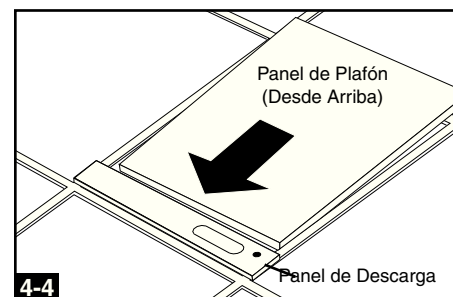
4-1



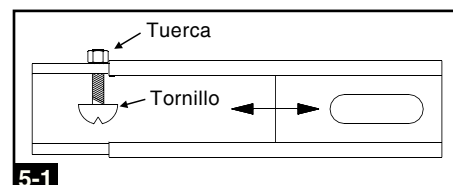
4-2



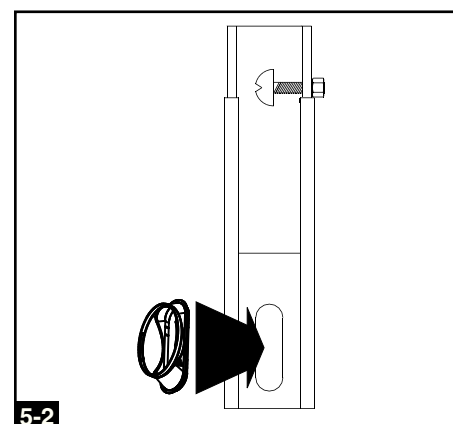
4-3



4-4



5-1



5-2

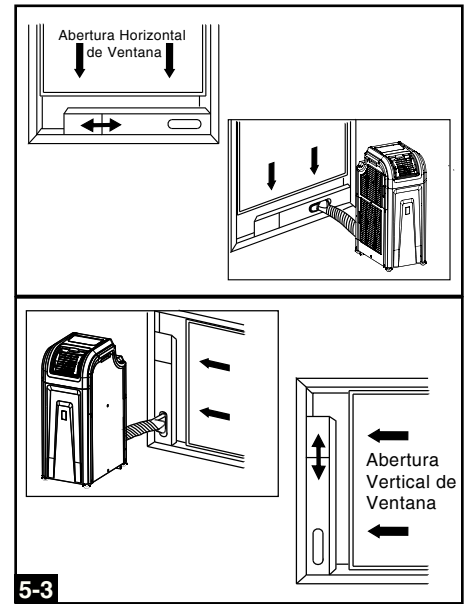
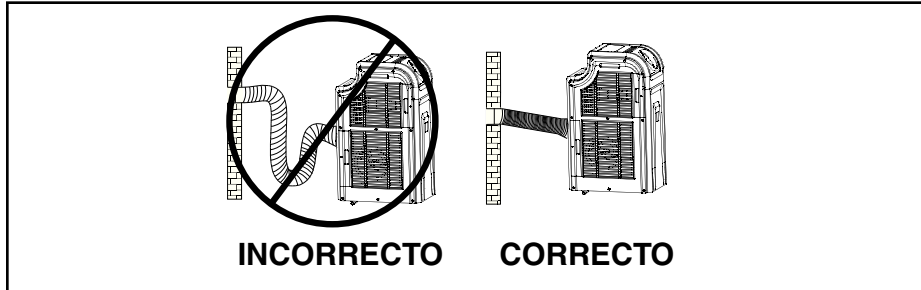


## Instalación (continuación)

**5-3** Inserte el panel de descarga en la abertura de la ventana, cierre entonces la ventana contra el panel de descarga. Un sello hermético permitirá la máxima eficiencia de enfriamiento.

*Nota: Debe haber al menos un espacio abierto de 10 pulgadas (25.4 cm) detrás del panel de descarga para permitir el flujo adecuado de aire.*

*Nota: El ducto flexible de descarga puede ampliarse a una longitud máxima de 118 pulgadas (300 cm). Proporcione la ruta más recta y corta posible. El doblado o estirado excesivo del ducto reducirá la eficiencia de enfriamiento.*



## 6 Inserción del Tapón de Drenaje

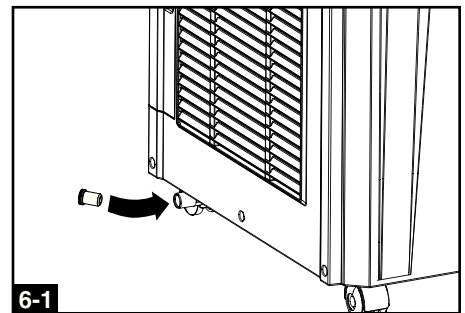
**Advertencia:** El re-evaporador integrado de la unidad no funcionará hasta que usted inserte el tapón de drenaje en la salida de drenaje.

Cuando la unidad enfría o deshumedece, se forma condensación. La unidad tiene un re-evaporador integrado que le permite expulsar la condensación a través de la corriente de aire caliente de descarga. Esta característica permite a la unidad operar indefinidamente sin requerir el vaciado de un tanque recolector de agua.

**6-1** Inserte el adaptador del ducto de descarga en el agujero oblongo en el panel de descarga ajustable. El adaptador se fijará en su lugar.

*Nota: Usted puede conectar la salida de drenaje a un sistema de drenaje dedicado en vez de usar la característica de re- evaporación. Quite el tapón de drenaje si estuviera instalado, conecte un extremo de un tubo de drenaje adecuado al drenaje y conecte el otro extremo del tubo de drenaje al recipiente de drenaje de su instalación. Si el sistema de drenaje se obstruye, un pequeño recipiente interno recolectará la condensación. Si no se despeja el sistema de drenaje antes que se llene el recipiente interno, la unidad se apagará automáticamente.*

**Advertencia:** Antes de conectar la unidad a un sistema de drenaje dedicado, apague la unidad y desenchúfela. Existe un riesgo de descarga eléctrica cuando la unidad está enchufada.



# Funcionamiento

**Advertencia:** Instale la unidad de acuerdo a las instrucciones en la sección de “Instalación” antes de intentar operarla.

## Encendido

Encienda o apague la unidad presionando el botón “ON/OFF”.



## Función de Reinicio Automático

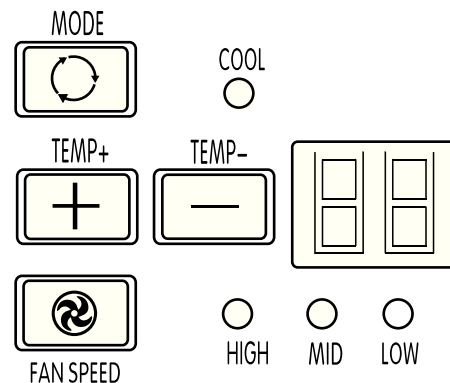
La unidad se encenderá y reiniciará automáticamente su operación cuando la energía se restablezca después de un apagón. La unidad usará las mismas calibraciones usadas inmediatamente antes de la ocurrencia del apagón. *Nota: Si el apagón es breve, la unidad funcionará en modo de ventilador por dos minutos antes de reiniciar la operación normal. La demora permite despresurizar el compresor de modo que la unidad funcionará correctamente cuando entre en el modo de enfriamiento.*

## Modo de Enfriamiento

Al oprimir el botón “MODE” se cambia entre el modo de Enfriamiento, modo de Desechado y modo de Ventilación. Cuando está activo el modo de enfriamiento se ilumina el LED “COOL”.

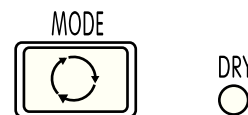
Oprima los botones TEMP+ y TEMP- para fijar la temperatura en el modo de enfriamiento. La temperatura seleccionada se muestra en la pantalla numérica.

Oprima el botón “FAN SPEED” para conmutar entre las velocidades alta, media y baja del ventilador. Se enciende un LED para indicar la velocidad seleccionada del ventilador.



## Modo de Desechado

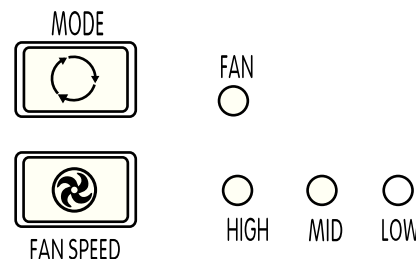
Al oprimir el botón “MODE” se cambia entre el modo de Enfriamiento, modo de Desechado y modo de Ventilación. Cuando está activo el modo de Desechado se ilumina el LED “DRY”. En el modo de Desechado, el ventilador funciona a una velocidad fija y los controles de temperatura son irrelevantes. Cierre las puertas y ventanas para un desempeño óptimo en el modo de Desechado.



## Modo de Ventilación

Al oprimir el botón “MODE” se cambia entre el modo de Enfriamiento, modo de Desechado y modo de Ventilación. Cuando está activo el modo de Ventilación se ilumina el LED “FAN”.

Oprima el botón “FAN SPEED” para conmutar entre las velocidades alta, media y baja del ventilador. Se enciende un LED para indicar la velocidad seleccionada del ventilador.

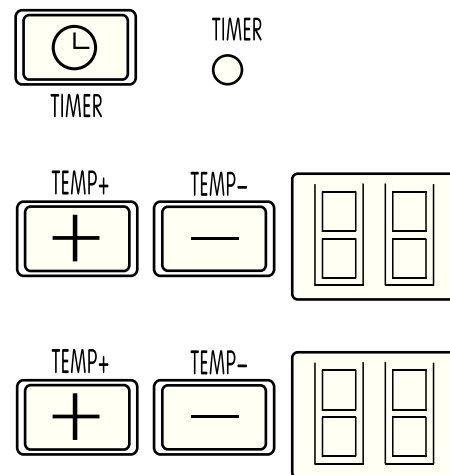


## Temporizador

El botón “TIMER” le permite programar la unidad para encender o apagar automáticamente. Cuando está activo el modo de Temporizador se ilumina el LED “TIMER”.

**Temporizador Activo** (*Nota: La unidad debe estar apagada para activar la función de Temporizador Activo. Confirme que las calibraciones de modo, temperatura y velocidad del ventilador sean correctas antes de activar la función de Temporizador Activo*). Active el temporizador oprimiendo el botón “TIMER”. Oprima los botones TEMP+ y TEMP- para fijar la demora (en horas) antes del encendido de la unidad. El número de horas se muestra en la pantalla numérica. Oprima nuevamente el botón “TIMER” para confirmar la demora.

**Temporizador Inactivo** (*Nota: La unidad debe estar encendido para activar la función de Temporizador Inactivo*). Active el temporizador oprimiendo el botón “TIMER”. Oprima los botones TEMP+ y TEMP- para fijar la demora (en horas) antes del apagado de la unidad. El número de horas se muestra en la pantalla numérica. Oprima nuevamente el botón “TIMER” para confirmar la demora.



## Funcionamiento (continuación)

### Bloqueo del Sistema

Active la función de Bloqueo del Sistema oprimiendo el botón "LOCK". Cuando está activa la función de Bloqueo del Sistema, se enciende el LED "LOCK" y se deshabilitan todos los otros botones para evitar una entrada accidental. Desactive la función de Bloqueo del Sistema oprimiendo nuevamente el botón "LOCK".



## Mantenimiento

El mantenimiento periódico extiende la vida útil de la unidad y permite la máxima eficiencia de operación.

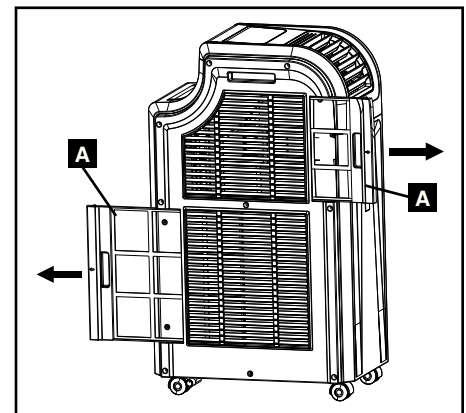
### Limpeza de los Filtros de Aire

Es importante mantener los filtros de aire limpios y libres de polvo. Cuando los filtros están sucios u obstruidos con polvo, se reduce la eficiencia de enfriamiento y se puede amenazar la calidad del aire. Tripp Lite recomienda la limpieza de los filtros al menos una vez cada dos semanas.



**¡Antes de la limpieza de los filtros, apague la unidad y desenchúfela! Existe un riesgo de descarga eléctrica cuando la unidad está enchufada.**

1. Apague la unidad y desenchúfela.
2. Desmonte los filtros **A** deslizándolos fuera del gabinete.
3. Lave los filtros con agua caliente con un detergente neutro. No coloque los filtros en una lavatrastos ni use detergentes o químicos agresivos. Permita que los filtros se sequen al aire completamente después del lavado. *Nota: Para limpiar los filtros no utilice agua más caliente de 104° F (40° C).*
4. Recoloque los filtros deslizándolos nuevamente en su posición original.
5. Enchufe la unidad y restablezca la operación normal.



### Cleaning the Cabinet



**¡Antes de la limpieza del gabinete, apague la unidad y desenchúfela! Existe un riesgo de descarga eléctrica cuando la unidad está enchufada.**

1. Apague la unidad y desenchúfela.
2. Limpie la unidad con un trapo seco y no abrasivo. No use gasolina, benceno, adelgazantes u otros químicos agresivos que puedan dañar la superficie. No vierta agua directamente sobre la unidad o en las parte de trabajo. Esto origina un riesgo de descarga eléctrica y deterioro de los componentes eléctricos y del aislamiento eléctrico.
3. En casos extremos, limpie la unidad con un trapo húmedo para eliminar residuos.

## Solución de Problemas

Revise las posibles soluciones a continuación. Si persiste el problema, visite por favor [www.tripplite.com/support](http://www.tripplite.com/support) para solicitar servicio.

Problema	Causa posible	Solución posible
La unidad no funciona.	La unidad está apagada.	Encienda la unidad. Consulte la sección "Operación".
	La unidad no está enchufada.	Enchufe la unidad en un tomacorrientes adecuado.
	La alimentación principal está apagada.	Compruebe los fusibles o disyuntores.
El rendimiento del enfriamiento no es satisfactorio.	Está bloqueada la entrada o la descarga de aire.	Confirme que todos los ductos y entradas estén libres de obstrucciones.
	La calibración de temperatura es demasiado alta.	Ajuste el parámetro de temperatura.
	La calibración de velocidad del ventilador es demasiado baja.	Ajuste el parámetro del ventilador.
	Los filtros de aire están sucios	Limpie los filtros de aire.
	La potencia del gabinete de rack, el tamaño de la sala o la temperatura ambiente excede la capacidad de enfriamiento de una sola unidad.	Instale unidades adicionales o póngase en contacto con Tripp Lite para consultar soluciones de enfriamiento adicional adecuadas para su aplicación.
La unidad gotea agua.	El tapón de drenaje no está instalado.	Instale el tapón de drenaje en la salida del drenaje. Consulte la sección "Instalación".
La unidad genera ruido o vibración excesivos.	La unidad está sobre una superficie dispereja o inestable.	Mueva la unidad a una superficie nivelada y estable.

## Almacenamiento y servicio

### Almacenamiento

Antes de almacenar la unidad, confirme que los ductos y ventilas estén asegurados o desmontados y protegidos adecuadamente. Confirme además que la unidad está libre de condensado.

### Servicio

Su producto Tripp Lite está cubierto por la garantía descrita en este manual. Tripp Lite también pone a disposición una variedad de garantías extendidas y programas de servicio en el sitio. Para obtener más información sobre mantenimiento, visite [www.tripplite.com/support](http://www.tripplite.com/support). Antes de enviar el producto a mantenimiento, siga estos pasos:

1. Revise los procedimientos de instalación y operación descritos en este manual para asegurarse de que el problema de servicio no se origina en una mala comprensión de las instrucciones.
2. Si el problema continúa, no se comunique ni devuelva el producto al distribuidor. En su lugar, visite [www.tripplite.com/support](http://www.tripplite.com/support).
3. Si el problema requiere servicio, visite [www.tripplite.com/support](http://www.tripplite.com/support) y haga clic en el enlace Devolución de productos. Aquí puede solicitar un número de autorización de devolución de mercadería (RMA), que es necesario para el servicio. En este simple formulario en línea se le pedirá el modelo y números de serie de su unidad, junto con otra información general sobre el comprador. El número RMA y las instrucciones para el envío se le enviarán por correo electrónico. Esta garantía no cubre ningún daño (directo, indirecto, especial o consecucional) que el producto sufra durante el envío a Tripp Lite o un centro de servicio autorizado por Tripp Lite. Los productos que se envían a Tripp Lite o un centro de servicio autorizado por Tripp Lite debe tener prepagos los cargos de envío. Escriba el número RMA en el exterior del paquete. Si el producto se encuentra dentro del período de garantía, adjunte una copia del recibo de venta. Envíe el producto para servicio a través de un transportador asegurado a la dirección que se le proporcione cuando solicite el RMA.

### Garantía

#### GARANTÍA LIMITADA POR 1 AÑO

El vendedor garantiza que este producto no tiene defectos originales de materiales ni de mano de obra por un periodo de un año a partir de la fecha original de compra, si se utiliza de acuerdo con todas las instrucciones correspondientes. En caso de demostrarse dentro de ese período que el producto tiene defectos de materiales o de mano de obra, el vendedor lo reparará o reemplazará a su exclusiva discreción. El servicio técnico bajo esta garantía solo se puede obtener si usted entrega o envía el producto (con todos los cargos de envío o entrega prepagos) a: Tripp Lite; 1111 W. 35th Street, Chicago IL 60609; EE. UU. El vendedor abonará los cargos de envío de devolución.

ESTA GARANTÍA NO CUBRE EL DESGASTE NORMAL NI LOS DAÑOS CAUSADOS POR ACCIDENTES, MAL USO, ABUSO O NEGLIGENCIA. EL VENDEDOR NO OFRECE NINGUNA GARANTÍA EXPRESA QUE NO SEA LA ESTABLECIDA EXPRESAMENTE EN EL PRESENTE DOCUMENTO. EXCEPTO EN LA MEDIDA EN QUE LO PROHÍBAN LAS LEYES APLICABLES, LA DURACIÓN DE TODAS LAS GARANTÍAS IMPLÍCITAS, INCLUIDAS LAS DE COMERCIABILIDAD O APTITUD, SE LIMITA AL PERÍODO DE GARANTÍA ANTES MENCIONADO Y ESTA GARANTÍA EXCLUYE EXPRESAMENTE TODOS LOS DAÑOS INCIDENTALES E INDIRECTOS. (Algunos Estados no permiten las limitaciones a la duración de una garantía implícita y algunos Estados no permiten la exclusión o limitación de los daños incidentales o indirectos, de modo que las limitaciones o exclusiones antes mencionadas pueden no corresponder en su caso. Esta garantía le otorga derechos legales específicos y usted puede tener otros derechos que varían de una jurisdicción a otra).

ADVERTENCIA: Antes de usar este dispositivo, cada usuario debe determinar si es apto, adecuado o seguro para el uso que pretende darle. Dado que las aplicaciones individuales están sujetas a diversas variaciones, el fabricante no representa ni garantiza la idoneidad o condición de este dispositivo para cualquier aplicación específica.

#### REGISTRO DE LA GARANTÍA

Visite [www.tripplite.com/warranty](http://www.tripplite.com/warranty) hoy para registrar la garantía de su nuevo producto de Tripp Lite. Será ingresado automáticamente a un sorteo para tener la oportunidad de ganar un producto de Tripp Lite GRATIS.\*

\*Sin obligación de compra. No válido donde esté prohibido. Corresponden algunas restricciones. Sólo para residentes en EE. UU. Visite [www.tripplite.com](http://www.tripplite.com) para obtener detalles.

#### Conformidad con las regulaciones sobre números de identificación

Con el objeto de cumplir con las regulaciones de certificaciones e identificación, a su producto Tripp Lite se le ha asignado un número de serie único. Puede encontrar el número de serie en la etiqueta o placa de identificación del producto, junto con todas las marcas de aprobación e información necesarias. Cuando solicite información de cumplimiento de este producto, siempre haga referencia al número de serie. El número de serie no debe confundirse con el nombre de marca o el número de modelo del producto.



#### Información de cumplimiento con WEEE para los clientes y recicladores de Tripp Lite (Unión Europea)

Nota: Esta declaración aplica a productos marcados con el logotipo WEEE.

Bajo la Directiva de Residuos de Aparatos Eléctricos y Electrónicos (WEEE) y las reglamentaciones reguladoras, cuando los clientes compran cualquier equipo eléctrico y electrónico nuevo de Tripp Lite tienen derecho a:

- Enviar el equipo viejo para reciclaje de uno a uno, y que sean comparables (esto varía según el país)
- Enviar el equipo nuevo para reciclaje cuando se transforma en desecho

Tripp Lite tiene la política de mejora continua. Las especificaciones del producto están sujetas a cambios sin notificación previa.



1 1 1 W. 35th Street, Chicago, IL 60609 USA

[www.tripplite.com/support](http://www.tripplite.com/support)

**Warranty**  
**Registration:**  
register online today for a  
chance to win a FREE Tripp Lite  
product—[www.tripplite.com/warranty](http://www.tripplite.com/warranty)



# Manuel du propriétaire

## Climatiseur portatif

SRCOOL12K (120 V, 60 Hz)  
SRXCOOL12K (230 V, 50 Hz)

<b>Introduction</b>	<b>22</b>
<b>Consignes de sécurité importantes</b>	<b>22</b>
<b>Caractéristiques</b>	<b>23</b>
<b>Installation</b>	<b>24</b>
<b>Fonctionnement</b>	<b>28</b>
<b>Maintenance</b>	<b>29</b>
<b>Dépannage</b>	<b>30</b>
<b>Entreposage et service</b>	<b>30</b>
<b>Garantie et enregistrement de la garantie</b>	<b>30</b>
<b>English</b>	<b>1</b>
<b>Español</b>	<b>11</b>
<b>Русский</b>	<b>31</b>



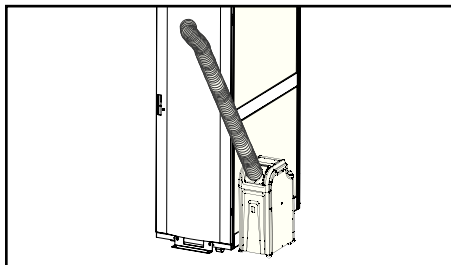
1111 W. 35th Street, Chicago, IL 60609 USA  
[www.tripplite.com/support](http://www.tripplite.com/support)

Copyright © 2011 Tripp Lite.

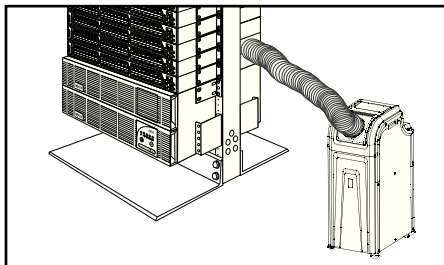
## Introduction

Le climatiseur portatif autonome (SRCOOL12K / SRXCOOL12K) fournit 12 000 BTU (jusqu'à 3,4 kW) de capacité de refroidissement supplémentaire. Conçu pour les environnements TI, il est idéal pour le refroidissement des armoires de bâti surchauffées, les points sensibles de l'équipement TI et les armoires de réseau n'ayant pas accès à la climatisation de l'établissement. Le climatiseur portatif peut concentrer l'air froid à travers son conduit de refroidissement flexible ou refroidir une petite pièce par le biais de son évent à lames. Il peut également filtrer et déshumidifier l'air afin d'améliorer les conditions de fonctionnement et la fiabilité de l'équipement. Le condensat est de nouveau évaporé pour un fonctionnement antigoutte de façon à ce que vous n'ayez pas à perdre du temps à vider des réservoirs de cueillette. La conception autonome n'exige aucune plomberie ou circuits spéciaux, l'installation est donc facile et rapide. Le fluide frigorigène R410A écologique satisfait aux normes environnementales partout à travers le monde.

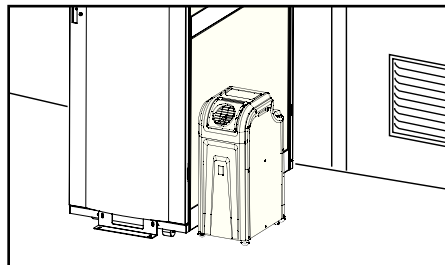
### Applications recommandées :



1. Refroidir une armoire de bâti surchauffée.



2. Refroidir un point sensible de l'équipement à l'intérieur ou à l'extérieur d'une armoire de bâti.



3. Refroidir une petite pièce.

## Consignes de sécurité importantes



### CONSERVEZ CES INSTRUCTIONS

Ce manuel contient des instructions et des avertissement qui doivent être observés durant l'installation, l'utilisation et l'entreposage de ce produit. Le non respect de ces avertissements peut affecter votre garantie.

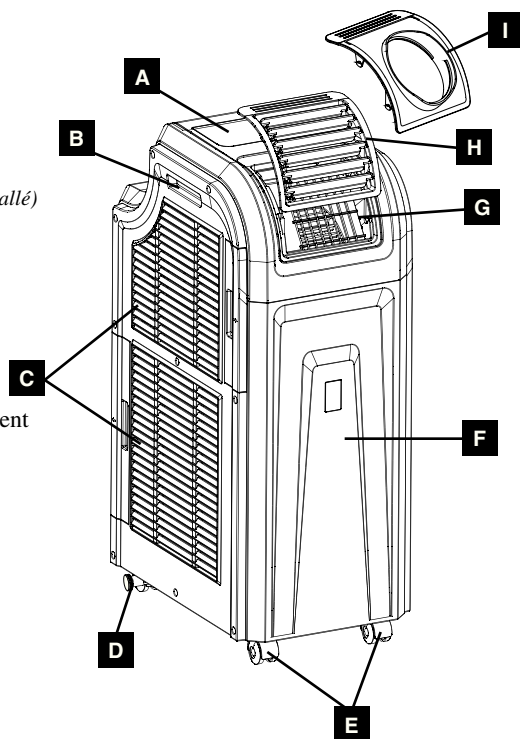
### Avertissements

- Avant d'utiliser cet appareil, l'utilisateur individuel doit déterminer s'il est approprié, adéquat et sécuritaire pour l'utilisation prévue. Puisque les applications individuelles sont sujettes à d'importantes variations, le fabricant ne prétend ni ne garantit aucunement que cet appareil est approprié ou apte pour toute application spécifique.
- Installez l'appareil à l'intérieur, à l'écart des températures extrêmes et de l'humidité, de la lumière directe du soleil, de la poussière et des contaminants conducteurs.
- Laissez un espace suffisant autour de l'appareil pour garantir une bonne circulation d'air, avec l'arrière et les côtés ventilés à au moins 51 cm (20 pouces) des murs et autres obstacles.
- Installez l'appareil sur une surface plate avec un gradient n'excédant pas 10°.
- Connectez l'unité directement à une prise d'alimentation c.a. mise à la terre. Le non-respect de cette procédure pourrait causer un choc électrique ou un incendie.
- La source d'alimentation pour l'appareil doit est conforme du point de vue nominal à la plaque signalétique de l'appareil.
- Ne pas modifier la prise ni utiliser un adaptateur qui éliminerait la mise à la terre.
- Ne pas utiliser de rallonge électrique pour connecter l'appareil à une prise c.a. Utilisez uniquement la cordon d'alimentation fourni avec l'appareil.
- Conformez-vous à toutes consignes de sécurité et de câblage applicables, comme le National Electrical Code (NEC) (Code national de l'électricité) aux É.-U.
- Ne pas brancher d'équipement additionnel dans la prise dans laquelle l'appareil a été branché. La surcharge de la prise pourrait causer un choc électrique ou un incendie.
- Ne pas tenter de mettre l'appareil sous tension ou hors tension en connectant ou déconnectant la fiche d'alimentation c.a. Cela risquerait de produire un choc électrique grave. Utilisez le bouton ON/OFF (arrêt/marche) pour mettre l'appareil sous tension ou hors tension.
- Mettre l'appareil hors tension puis le débranché de la prise c.a. avant d'en effectuer l'entretien.
- Mettre l'appareil hors tension et le débrancher avant de le connecter à un système d'évacuation réservé à cet effet. Il y a un risque de choc électrique lorsque l'appareil est branché.
- L'entretien devrait être effectué uniquement par du personnel formé.
- Ne pas utiliser de diluants, d'alcool, de détergents ou de brosses abrasives lors du nettoyage de l'armoire de l'appareil. Ces articles pourraient endommager l'armoire.
- Ne pas verser d'eau sur l'appareil. Cela pourrait causer un choc électrique et endommager l'appareil.
- Ne pas faire fonctionner l'appareil sans le filtre à air. Cela pourrait entraîner une accumulation de poussière qui risquerait d'endommager l'appareil.
- Ne pas tenter de faire fonctionner l'appareil dans une pièce dont la circulation d'air est inadéquate. Fournir de l'air d'appoint en conformité avec les codes du bâtiment applicables.
- Ne pas placer d'objets sur l'appareil.
- Il est déconseillé d'utiliser cet équipement dans des applications médicales où une panne de cet équipement pourrait normalement provoquer la panne de l'équipement de survie ou altérer notablement sa sécurité ou son efficacité. Ne pas utiliser cet équipement en présence d'un mélange anesthésique inflammable avec de l'air, de l'oxygène ou de l'oxyde nitreux.

# Caractéristiques

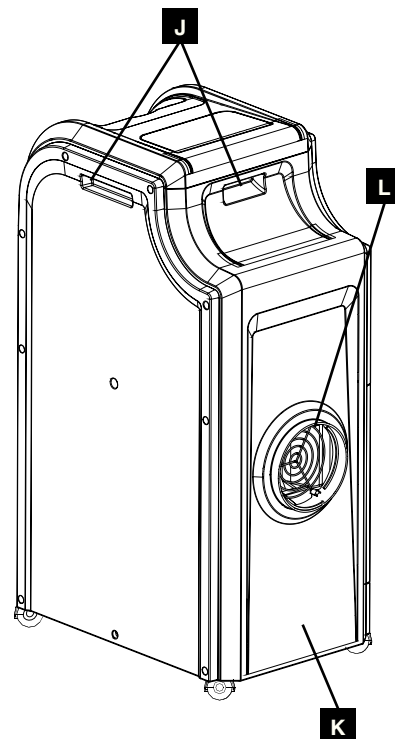
## Vue de face

- A** Panneau de commande
- B** Poignée encastrée
- C** Couvercles de filtre à air
- D** Sortie d'évacuation  
*(Illustré avec le bouchon d'évacuation installé)*
- E** Roulettes
- F** Panneau avant
- G** Évent d'évacuation de l'air froid
- H** Élément encastré de l'évent à lames  
*(préinstallé)*
- I** Adaptateur de conduit de refroidissement  
*(en option)*



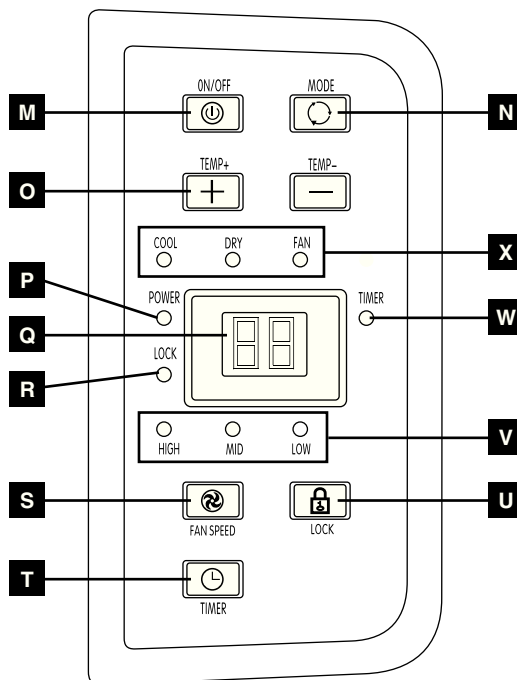
## Vue arrière

- J** Poignées encastrées
- K** Panneau arrière
- L** Évent d'évacuation de l'air chaud



## Panneau de commande

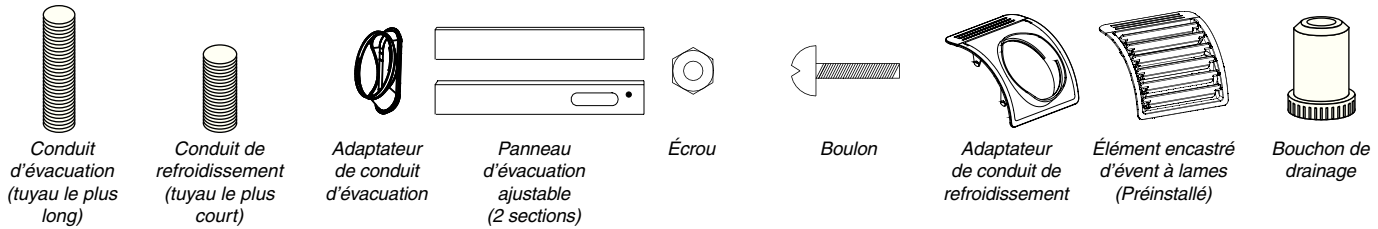
- M** Bouton « ON/OFF » (marche/arrêt) :
- N** Bouton « MODE »
- O** Boutons de contrôle de la température
- P** Voyant DEL « POWER » (puissance)
- Q** Affichage digital (pour la température ou délai de temporisation)
- R** Voyant DEL « LOCK » (verrouillage)
- S** Bouton « FAN SPEED » (vitesse du ventilateur)
- T** Bouton « TIMER » (minuterie)
- U** Bouton « LOCK » (verrouillage)
- V** Voyants DEL de vitesse ventilateur
- W** Voyant DEL « TIMER » (minuterie)
- X** Voyants DEL du mode de fonctionnement



# Installation

**Avertissement :** Après avoir retiré l'appareil du conteneur d'expédition, vérifiez la présence de dommages et l'absence de pièces. (Se reporter à la liste des pièces ci-dessous.) Si vous remarquez un problème, visitez [www.tripplite.com/support](http://www.tripplite.com/support) pour obtenir du service après-vente. Ne tentez pas d'utiliser un appareil endommagé.

## Liste des pièces accessoires :

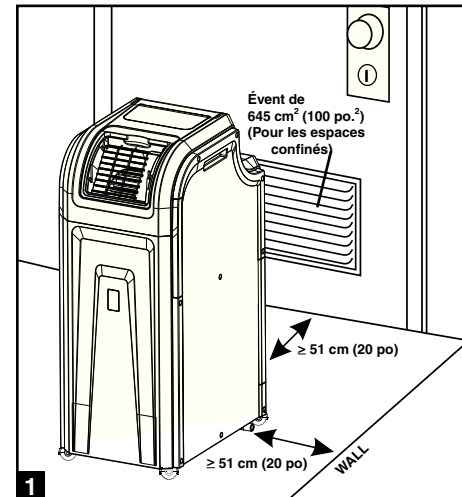


## 1 Disposition de l'appareil

Placez l'appareil sur une surface plate et au niveau près d'une prise c.a. mise à la terre conforme à la plaque signalétique de l'appareil du point de vue nominal (90 à 110 % de la tension spécifiée). Laissez un espace suffisant autour de l'appareil pour garantir une bonne circulation d'air, avec l'arrière et les côtés ventilés à au moins 51 cm (20 pouces) des murs et autres obstacles. Placez l'appareil dans un endroit offrant un accès pratique au faux-plafond ou à une fenêtre afin d'offrir le cheminement le plus direct et le plus court disponible pour le conduit d'évacuation flexible. Si vous prévoyez utiliser le conduit de refroidissement flexible afin de concentrer l'air froid sur une armoire de bâti ou un dispositif spécifique, placez l'unité près de l'armoire de bâti ou du dispositif visé afin d'offrir le cheminement le plus direct et le plus court disponible pour le conduit de refroidissement.

**Avertissement :** Ne pas utiliser de rallonge électrique pour connecter l'appareil à une prise c.a. Utilisez uniquement le cordon d'alimentation fourni avec l'appareil.

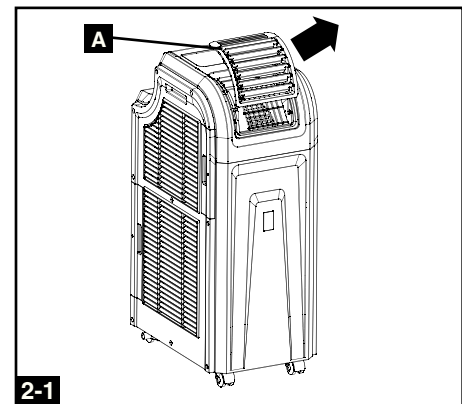
*Remarque :* Si l'appareil est destiné à être utilisé dans un espace confiné (comme un placard), vous devez fournir de l'air d'appoint afin de maintenir l'efficacité de la circulation d'air. Un évent à lames de 645 cm<sup>2</sup> (100 po<sup>2</sup>) ou plus installé près de la partie inférieure de la portière devrait fournir suffisamment d'air d'appoint pour une armoire typique. Consultez les codes du bâtiment applicables pour plus d'informations.



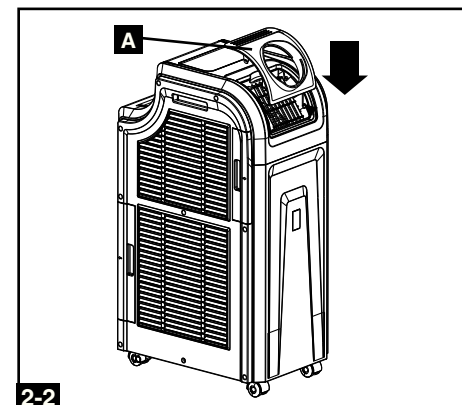
## 2 Connexion du conduit de refroidissement (en option)

La pièce encastrée de l'évent à lames préinstallé est approprié pour les applications de refroidissement de la pièce. Si vous prévoyez refroidir une pièce, sautez l'étape 2 et passez à l'étape 3. Si vous prévoyez utiliser le conduit de refroidissement flexible afin de concentrer l'air froid sur un dispositif ou une armoire de bâti spécifique, suivez les directives ci-dessous.

**2-1** Enlevez la pièce encastrée de l'évent à lames **A** en la tirant vers l'extérieur et vers le haut.



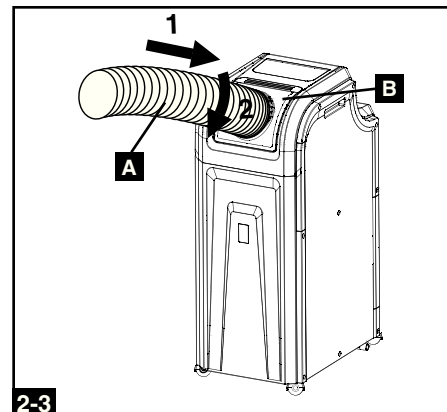
**2-2** Alignez l'adaptateur du conduit de refroidissement **A** dans l'ouverture de l'évent et le pousser vers le bas jusqu'à ce qu'il clique en place.



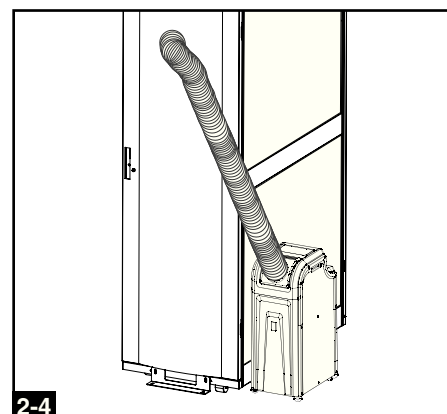


## Installation (suite)

- 2-3** Connectez le conduit de refroidissement flexible (du tuyau court **A**) à l'adaptateur du conduit de refroidissement **B**. Aligned le conduit avec l'ouverture circulaire de l'adaptateur, poussez le conduit vers le haut et tournez le conduit dans le sens des aiguilles d'une montre jusqu'à ce qu'il soit vissé solidement en place dans l'adaptateur.

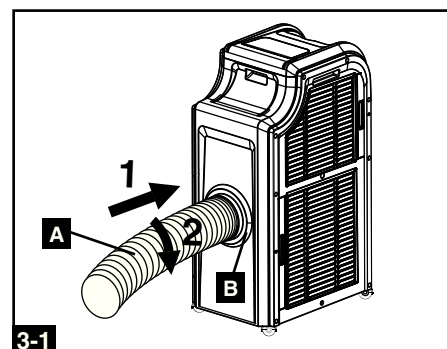


- 2-4** Placez l'autre extrémité du conduit de refroidissement près de l'admission d'air du dispositif ou de l'armoire de bâti cibl(e), en utilisant le cheminement le plus direct et le plus court disponible. Si vous planifiez de refroidir une armoire de bâti, placez l'extrémité du conduit de refroidissement sur une surface perforée près de la partie supérieure de la porte avant de l'armoire (ou près de la partie supérieure du banc de l'équipement devant être refroidit). L'air froid descendra et se répandra à travers les entrées d'air à l'avant de l'armoire de bâti.

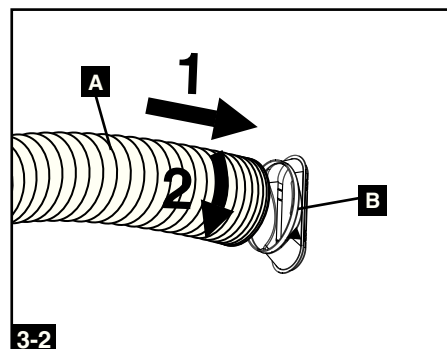


### 3 Connexion du conduit d'évacuation

- 3-1** Connectez le conduit d'évacuation flexible (tuyau **A** le plus long) à l'évent d'évacuation de l'air chaud sur le panneau arrière de l'appareil **B**. Aligned le conduit avec l'ouverture circulaire de l'évent, poussez le conduit vers l'intérieur et tournez le conduit dans le sens des aiguilles d'une montre jusqu'à ce qu'il soit vissé solidement en place dans l'évent d'évacuation.



- 3-2** Connectez l'autre extrémité du conduit d'évacuation **A** à l'adaptateur du conduit d'évacuation **B**. Aligned le conduit avec l'ouverture circulaire de l'adaptateur, poussez le conduit vers l'intérieur et tournez le conduit dans le sens des aiguilles d'une montre jusqu'à ce qu'il soit vissé solidement en place dans l'adaptateur.
- Si vous prévoyez connecter le conduit d'évacuation à un faux-plafond, passez à l'étape **4**.  
Si vous prévoyez connecter le conduit d'évacuation à une fenêtre, passez à l'étape **5**.



## 4 Connexion de l'évacuation à un faux-plafond

**Avertissement :** Certains plafonds peuvent exiger des procédures d'installation modifiées. L'utilisateur doit déterminer la compatibilité de la quincaillerie et des procédures avant d'effectuer l'installation. Les procédures décrites dans le présent manuel peuvent ne pas être appropriées pour toutes les applications.

**4-1** Choisissez un panneau du faux-plafond à proximité de l'appareil afin d'offrir le cheminement le plus direct et le plus court disponible pour le conduit d'évacuation flexible. Mesurez la largeur du panneau de plafond, y compris la portion qui repose sur le support de plafond. Combinez les deux sections du panneau d'évacuation ajustable, puis ajustez le panneau d'évacuation afin qu'il corresponde à la largeur du panneau de plafond. Après avoir ajusté le panneau d'évacuation selon la bonne largeur, utilisez l'écrou et le boulon inclus pour le retenir en place. *Remarque :* Le panneau d'évacuation peut s'ajuster de 67,5 à 125 cm (26,6 à 49,2 po).

**4-2** Insérez d'adaptateur de conduit d'évacuation dans le trou oblong dans le panneau d'évacuation ajustable. L'adaptateur cliquera en place.

**4-3** Glissez le panneau de plafond et mettez de côté et placez le panneau d'évacuation à l'intérieur de l'espace du plafond. Permettez au panneau d'évacuation de reposer sur le support de plafond. *Remarque :* Il doit y avoir un espace d'au moins 25,4 cm (10 pouces) au-dessus du panneau de plafond pour permettre une circulation d'air appropriée.

**4-4** Glissez le panneau de plafond pour le remettre en place de façon à ce qu'il soit contigu au panneau d'évacuation et qu'il couvre les écarts du plafond. Une bonne étanchéité permettra une efficacité de refroidissement maximale. Si l'installation est permanente, tailler le panneau de plafond afin qu'il ne chevauche pas le support de plafond.

*Remarque :* Le conduit d'évacuation flexible peut être prolongé jusqu'à une longueur maximum de 300 cm (118 pouces). Veillez à fournir le cheminement le plus direct et le plus court possible. Toute flexion ou allongement excessif(ve) du conduit aura pour effet de réduire l'efficacité de refroidissement.

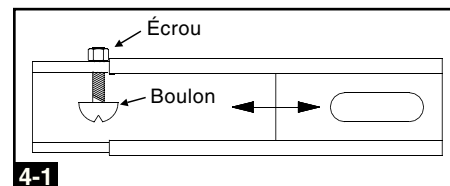
Après avoir complété l'étape 4, passez à l'étape 6.

## 5 Connexion de l'évacuation à une fenêtre

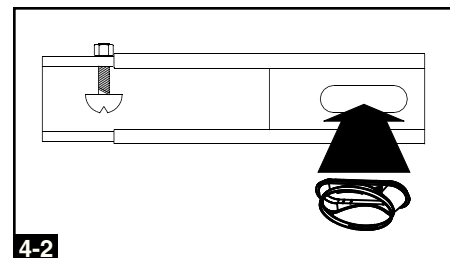
**Avertissement :** Certaines fenêtres peuvent exiger des procédures d'installation modifiées. L'utilisateur doit déterminer la compatibilité de la quincaillerie et des procédures avant d'effectuer l'installation. Les procédures décrites dans le présent manuel peuvent ne pas être appropriées pour toutes les applications.

**5-1** Mesurez l'ouverture de la fenêtre. Combinez les deux sections du panneau d'évacuation ajustable, puis ajustez le panneau d'évacuation afin qu'il corresponde à la largeur de l'ouverture de la fenêtre. Après avoir ajusté le panneau d'évacuation selon la bonne largeur, utilisez l'écrou et le boulon inclus pour le retenir en place. *Remarque :* Le panneau d'évacuation peut être ajusté de 67,5 à 125 cm (26,6 à 49,2 po). Il est compatible avec un montage vertical et un montage horizontal.

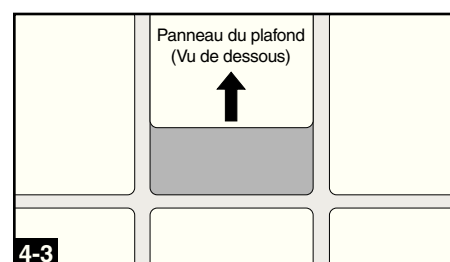
**5-2** Insérez l'adaptateur du conduit d'évacuation dans le trou oblong dans le panneau d'évacuation ajustable. L'adaptateur cliquera en place.



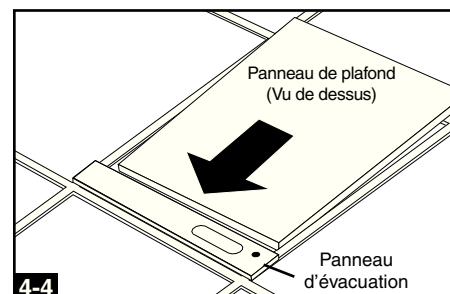
4-1



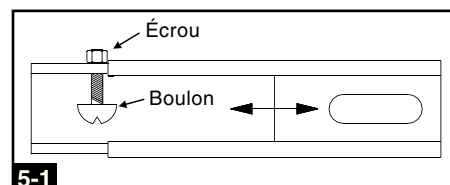
4-2



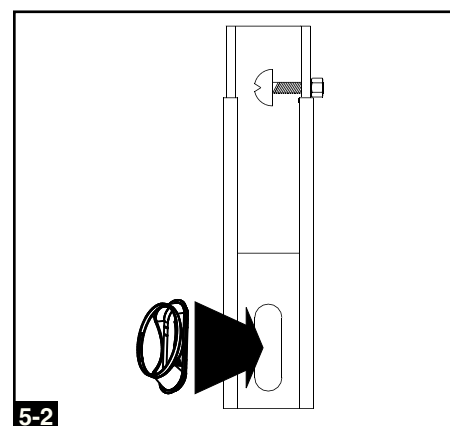
4-3



4-4



5-1

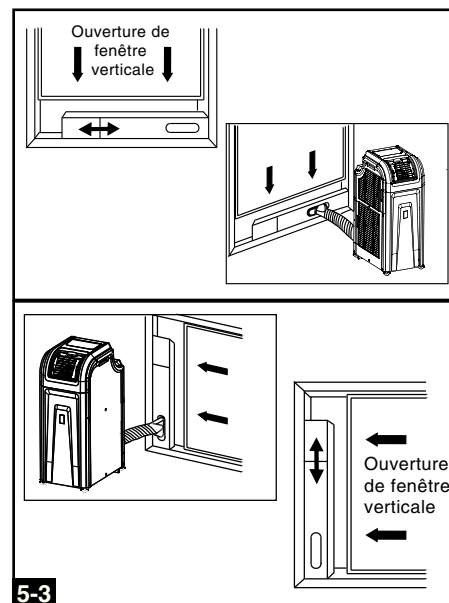
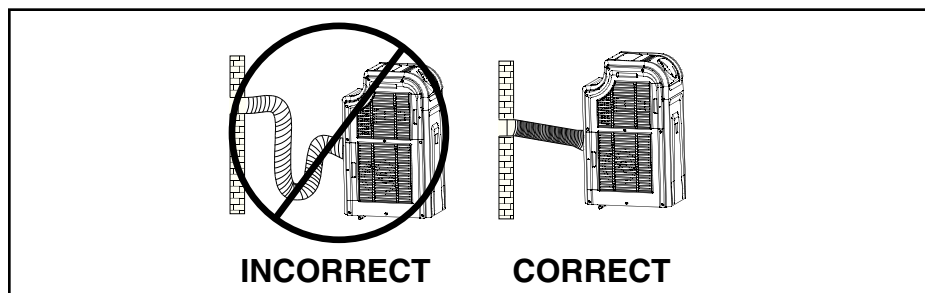


5-2

## Installation (suite)

- 5-3** Insérez le panneau d'évacuation dans l'ouverture de la fenêtre, puis fermez la fenêtre contre le panneau d'évacuation. Une bonne étanchéité permettra une efficacité de refroidissement maximale. *Remarque : Il doit y avoir un espace d'au moins 25,4 cm (10 pouces) derrière le panneau de plafond pour permettre une circulation d'air appropriée.*

*Remarque : Le conduit d'évacuation flexible peut être prolongé jusqu'à une longueur maximum de 300 cm (118 pouces). Veillez à fournir le cheminement le plus direct et le plus court possible. Toute flexion ou allongement excessif(ve) du conduit aura pour effet de réduire l'efficacité de refroidissement.*



## 6 Insertion du bouchon d'évacuation

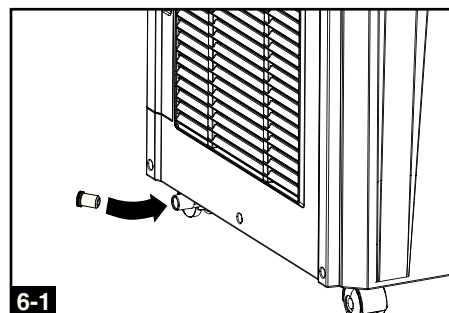
**Avvertissement :** Le dispositif intégré à l'appareil et servant à faire réévaporer ne fonctionnera pas tant que vous n'aurez pas inséré le bouchon de drainage dans la sortie de drainage.

Lorsque l'appareil refroidit ou déshumidifie, il se forme de la condensation. L'appareil est équipé d'un dispositif de rééaporation qui lui permet d'expulser la condensation par le flux d'évacuation de l'air chaud. Cette fonction permet à l'appareil de fonctionner indéfiniment sans que vous ayez à vider le réservoir de récupération d'eau.

- 6-1** Insert the drainage plug into the drainage outlet to enable the re-evaporation of condensation.

*Remarque : Vous pouvez connecter la sortie de drainage à un système de drainage réservé à cet effet plutôt que d'utiliser la fonction de rééaporation. Enlevez le bouchon de drainage s'il est installé, connectez une extrémité d'un tube de drainage approprié à la sortie de drainage et connectez l'autre extrémité du tube de drainage au récipient de drainage de votre établissement. Si le système de drainage venait qu'à se boucher, un petit réservoir interne recueillera la condensation. Si le système de drainage n'est pas débouché avant que le réservoir interne soit rempli, l'appareil s'arrêtera automatiquement.*

**Avvertissement :** Mettre l'appareil hors tension et le débrancher avant de le connecter à un système d'évacuation réservé à cet effet. Il y a un risque de choc électrique lorsque l'appareil est branché.



# Fonctionnement

**Avertissement : Installez l'appareil conformément aux directives de la section « Installation » afin de tenter de la faire fonctionner.**

## Puissance

Mettre l'appareil sous tension et hors tension en appuyant sur le bouton « ON/OFF » (marche/arrêt).



## Fonction de redémarrage automatique

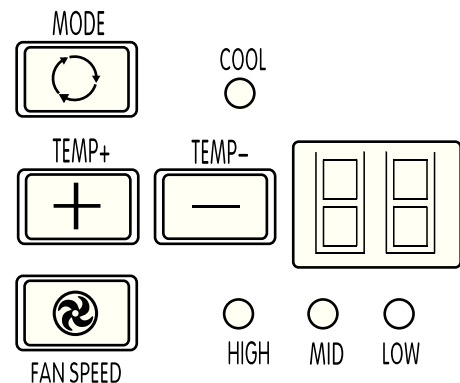
L'appareil se mettra sous tension et reprendra automatiquement ses activités lorsque l'alimentation est rétablie après une coupure de courant. L'appareil utilisera les mêmes réglages que ceux utilisés immédiatement avant la coupure de courant. *Remarque : Si la coupure de courant est brève, l'appareil fonctionnera en mode Fan (ventilateur) pendant deux minutes avant de reprendre ses activités normales. Le délai permet au compresseur de se dépressuriser afin que l'appareil puisse fonctionner correctement lorsqu'il passe en mode Cool (refroidissement).*

## Mode « Cool » (refroidissement)

Le fait d'appuyer sur le bouton « MODE » permet de cycler entre le mode Cool (refroidissement) et le mode Fan (ventilateur). Le voyant DEL « COOL » (refroidissement) s'allume lorsque le mode Cool (refroidissement) est actif.

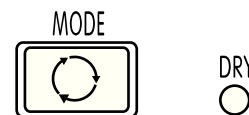
Appuyez sur les boutons TEMP+ et TEMP- pour régler la température en mode Cool (refroidissement). La température sélectionnée est affichée sur l'écran numérique.

Appuyez sur le bouton « FAN SPEED » (vitesse du ventilateur) pour cycler entre les vitesses de ventilateur « high » (élevée), « medium » (moyenne) et « low » (faible). Un voyant DEL s'allume pour indiquer la vitesse de ventilateur sélectionnée.



## Mode « Dehumidify » (déshumidification)

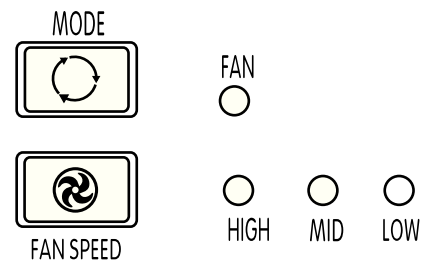
Le fait d'appuyer sur le bouton « MODE » permet de cycler entre le mode Cool (refroidissement) et le mode Fan (ventilateur). Le voyant DEL « DRY » s'allume lorsque le mode « Dehumidify » est actif. En mode « Dehumidify » (déshumidifier), le ventilateur fonctionne à une vitesse fixe et les commandes de température ne sont pas pertinentes. Fermez les fenêtres et les portes pour une performance optimale en mode « Dehumidify » (déshumidifier).



## Mode « Fan » (ventilateur)

Le fait d'appuyer sur le bouton « MODE » permet de cycler entre le mode Cool (refroidissement) et le mode Fan (ventilateur). Le voyant DEL « FAN » (ventilateur) s'allume lorsque le mode « Fan » (ventilateur) est actif.

Appuyez sur le bouton « FAN SPEED » (vitesse du ventilateur) pour cycler entre les vitesses de ventilateur « high » (élevée), « medium » (moyenne) et « low » (faible). Un voyant DEL s'allume pour indiquer la vitesse de ventilateur sélectionnée.



## Minuterie

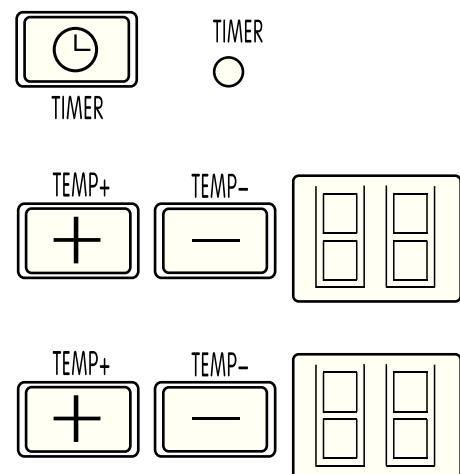
Le bouton « TIMER » (minuterie) vous permet de programmer la mise hors tension et sous tension automatique de l'appareil. Le voyant DEL « TIMER » (minuterie) s'allume lorsque le mode Timer (minuterie) est actif.

**Timer On (minuterie activée)** (Remarque : L'appareil doit être mis hors tension afin d'activer la fonction « Timer On » (minuterie activée). Confirmez que les réglages du mode, de la température et de la vitesse du ventilateur sont corrects avant d'activer la fonction « Timer On » (minuterie activée).)

Activez la minuterie en appuyant sur le bouton « TIMER » (minuterie). Appuyez sur les boutons TEMP+ et TEMP- pour régler le délai (en heures) avant que l'appareil ne soit activé. Le nombre d'heures est affiché sur l'écran numérique. Appuyez de nouveau sur le bouton « TIMER » (minuterie) pour confirmer le délai.

**Timer Off (minuterie désactivée)** (Remarque : L'appareil doit être mis sous tension afin d'activer la fonction « Timer Off » (minuterie désactivée).)

Activez la minuterie en appuyant sur le bouton « TIMER » (minuterie). Appuyez sur les boutons TEMP+ et TEMP- pour régler le délai (en heures) avant que l'appareil ne soit désactivé. Le nombre d'heures est affiché sur l'écran numérique. Appuyez de nouveau sur le bouton « TIMER » (minuterie) pour confirmer le délai.



## Fonctionnement (suite)

### System Lock (Verrouillage du système)

Activez la fonction « System Lock » (verrouillage du système) en appuyant sur le bouton « LOCK » (verrouillage). Lorsque la fonction « System Lock » (verrouillage du système) est active, le voyant DEL « LOCK » (verrouillage) s'allume et tous les autres boutons sont désactivés pour empêcher l'introduction. Désactivez la fonction « System Lock » (verrouillage du système) en appuyant de nouveau sur le bouton « LOCK ».



## Maintenance

Une maintenance périodique prolonge la durée de vie de l'appareil et permet une efficacité de fonctionnement maximum.

### Nettoyage des filtres à air

Il est important de garder les filtres à air propres et exempts de poussière. Lorsque les filtres sont sales ou obstrués par de la poussière, cela a pour effet de diminuer l'efficacité du refroidissement et risque de menacer la qualité de l'air. Tripp Lite recommande de nettoyer les filtres au moins une fois par deux semaines.



**Avant de nettoyer les filtres, mettre l'appareil hors tension et le débrancher! Il y a un risque de choc électrique lorsque l'appareil est branché.**

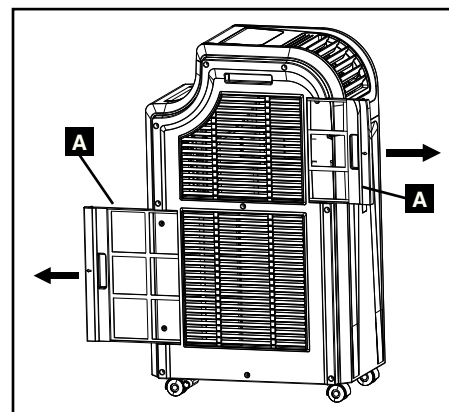
1. Mettre l'appareil hors tension et le débrancher.
2. Enlevez les filtres **A** en les faisant glisser hors de l'armoire.
3. Lavez les filtres à l'eau tiède avec un détergent neutre. Ne pas mettre les filtres dans un lave-vaisselle ou utiliser des détergents ou des produits chimiques corrosifs. Laissez sécher les filtres complètement à l'air libre après le nettoyage. *Remarque : Ne pas utiliser de l'eau dont la température excède 40° C (104° F) pour laver les filtres.*
4. Replacez les filtres en les faisant glisser dans leur position originale.
5. Brancher l'appareil et reprendre les activités normales.

### Nettoyage de l'armoire



**Avant de nettoyer l'armoire, mettre l'appareil hors tension et le débrancher! Il y a un risque de choc électrique lorsque l'appareil est branché.**

1. Mettre l'appareil hors tension et le débrancher.
2. Essuyez l'appareil avec un chiffon sec non abrasif. Ne pas utiliser de gazoline, de benzène, de diluant ou de produits chimiques corrosifs qui pourraient endommager la surface. Ne pas verser de l'eau directement sur l'appareil ou dans les pièces mobiles. Cela risque de causer un choc électrique et une détérioration des composants électriques et de l'isolation du câblage.
3. Dans des cas extrêmes, essuyez l'appareil avec un linge humide pour enlever les résidus.



## Dépannage

Passez en revue les solutions possible ci-dessous. Si le problème persiste, visitez [www.tripplite.com/support](http://www.tripplite.com/support) pour obtenir du service après-vente.

Problème	Cause possible	Solution possible
L'appareil ne fonctionne pas.	L'appareil est hors tension.	Mettre l'appareil sous tension. (Consultez la section « Fonctionnement ».)
	L'appareil n'est pas branché.	Brancher l'appareil dans une prise appropriée.
	L'alimentation principal est hors tension.	Vérifier les fusibles ou le disjoncteur.
Le rendement du système de refroidissement n'est pas satisfaisant.	L'entrée ou la sortie d'air est obstruée.	Confirmer que tous les conduits et les entrées sont libres de débris.
	Le réglage de la température est trop élevé.	Adjuster le réglage de la température.
	Le réglage de la vitesse du ventilateur est trop faible.	Adjuster le réglage du ventilateur.
	Les filtres à air sont sales.	Nettoyer les filtres à air.
Fuite d'eau au niveau de l'appareil.	La puissance de l'armoire de bâti, la grandeur de la pièce ou la température ambiante excède la capacité de refroidissement d'un seul appareil. .	Installez des appareils additionnels ou contactez Tripp Lite pour des solutions de refroidissement additionnelles appropriées pour votre application.
	Le bouchon de drainage n'est pas installé.	Insérer le bouchon de drainage dans la sortie de drainage. (Consultez la section « Installation ».)
L'appareil produit beaucoup de bruit ou de vibration.	L'appareil se trouve sur une surface inégale ou instable.	Déplacer l'appareil sur une surface au niveau et stable.

## Entreposage et service

### Entreposage

Avant d'entreposer l'appareil, s'assurer que les conduits et les événements sont bien retenus en place ou enlevés et rangés convenablement. S'assurer également que l'appareil a été drainé de toute condensation.

### Service

Cette armoire est couverte par la garantie limitée décrite dans ce manuel. Une gamme de programmes de garantie prolongée et de service sur place sont également offerts par Tripp Lite. Pour plus de renseignements sur ce service, visitez [www.tripplite.com/support](http://www.tripplite.com/support). Avant de retourner votre produit pour service, suivez les étapes suivantes :

1. Passer en revue les procédures d'installation et d'opération de ce manuel afin de vous assurer que le problème en question ne provient pas d'une fausse interprétation des instructions.
2. Si le problème persiste, ne pas contacter ou retourner le produit au détaillant. Visitez plutôt [www.tripplite.com/support](http://www.tripplite.com/support).
3. Si le problème nécessite des réparations, visitez [www.tripplite.com/support](http://www.tripplite.com/support) et cliquez sur le lien Product Returns (Retour des produits). De là, vous pouvez demander un numéro de retour de matériel (RMA) qui est requis pour une réparation. Ce formulaire simple en ligne vous demandera le modèle de l'unité et le numéro de série ainsi que d'autres renseignements généraux sur l'acheteur. Le numéro RMA ainsi que les instructions relatives à l'expédition vous seront envoyés par courriel. Tout dommage (direct, indirect, spécial ou consécutif) que le produit pourrait subir durant la livraison vers Tripp Lite ou un centre de réparation reconnu par Tripp Lite n'est pas couvert sous cette garantie. Les produits envoyés à Tripp Lite ou un centre de réparation reconnu par Tripp Lite doivent être envoyés en port prépayé. Inscrire le numéro RMA à l'extérieur de l'emballage. Si le produit est encore à l'intérieur de la période de garantie, veuillez inclure une copie de votre reçu. Retourner le produit pour réparation en utilisant un transporteur assuré à l'adresse qui vous sera donnée lors de votre demande de RMA.

### Garantie

#### GARANTIE LIMITÉE DE 1 AN

Le vendeur garantit que ce produit, s'il est utilisé conformément aux instructions applicables, est dépourvu de défauts de matière et de main d'œuvre pendant une période de 1 an à partir de la date d'achat initiale. Si le produit présente un défaut de matière ou de main d'œuvre pendant cette période, le vendeur s'engage à le réparer ou à le remplacer, à sa seule discrétion. Des services de réparation sous cette garantie ne peuvent être obtenus que si vous livrez ou expédiez le produit (avec tous les frais d'envoi ou d'expédition prépayés) à : Tripp Lite, 1111 W. 35th Street, Chicago, IL 60609 USA. Le vendeur défrayera les frais d'expédition de retour.

CETTE GARANTIE DE S'APPLIQUE PAS À L'USURE NORMALE OU AUX DOMMAGES RÉSULTANT D'UN ACCIDENT, D'UN MAUVAIS USAGE OU D'UNE NÉGLIGENCE. LE VENDEUR N'ACCORDE AUCUNE AUTRE GARANTIE EXPRESSE QUE CELLE MENTIONNÉE EXPRESSÉMENT DANS LA PRÉSENTE. SAUF DANS LA MESURE INTERDITE PAR LES LOIS PERTINENTES, TOUTES LES GARANTIES IMPLICITES, Y COMPRIS LES GARANTIES DE QUALITÉ MARCHANDE OU D'ADÉQUATION À UN USAGE PARTICULIER, SONT LIMITÉES À LA DURÉE DE LA PÉRIODE DE GARANTIE SUSMENTIONNÉE ET LA PRÉSENTE GARANTIE EXCLUT EXPRESSÉMENT TOUTS LES DOMMAGES FORTUITS ET CONSÉCUTIFS. (Certaines juridictions n'autorisent pas de limitation de la durée de la garantie implicite et d'autre l'exclusion ou la limitation des dommages fortuits ou consécutifs, les limitations ou exclusions mentionnées ci-dessus peuvent ne pas s'appliquer à votre cas. La présente garantie vous donne des droits spécifiques et vous pouvez jouir d'autres droits qui varient d'une juridiction à une autre).

AVERTISSEMENT : Avant tout usage, l'utilisateur doit déterminer si ce dispositif est adapté et approprié à l'emploi prévu et s'il ne présente aucun danger. Comme les applications individuelles peuvent différer considérablement les unes des autres, le fabricant ne fait aucune déclaration ni n'accorde aucune garantie quant à l'adéquation de cet appareil à une application donnée.

#### ENREGISTREMENT DE LA GARANTIE

Visitez [www.tripplite.com/warranty](http://www.tripplite.com/warranty) dès aujourd'hui pour enregistrer la garantie pour votre nouveau produit Tripp Lite. Vous serez automatiquement inscrit(e) à un tirage pour courir la chance de gagner un produit Tripp Lite GRATUIT!\*

\*Aucun achat nécessaire. Participation nulle là où la loi l'interdit. Certaines restrictions s'appliquent. Offert aux résidents des É.-U. seulement. Visitez [www.tripplite.com](http://www.tripplite.com) pour plus de détails.

#### Numéros d'identification de conformité aux règlements

À des fins de certification et d'identification de conformité aux règlements, votre produit Tripp Lite a reçu un numéro de série unique. Ce numéro de série se trouve sur la plaque signalétique du produit, avec toutes les inscriptions et les informations d'approbations requises. Lors d'une demande d'information de conformité, pour ce produit, utiliser toujours le numéro de série. Le numéro de série ne doit pas être confondu avec le nom de la marque ou le numéro de modèle du produit.



#### L'information de conformité WEEE pour les clients de Tripp Lite et recycleurs (Union européenne)

Remarque : Cette déclaration s'applique aux produits portant le logo WEEE.

Sous les directives et règlements de déchet d'équipements électrique et électronique (Waste Electrical and Electronic Equipment, WEEE), lorsque les clients achètent le matériel électrique et électronique neuf de Tripp Lite ils sont autorisés à :

- Envoyer le vieux matériel pour le recyclage sur une base de un-contre-un et en nature (ceci varie selon le pays).
- Renvoyer le matériel neuf pour recyclage quand ceci devient éventuellement un rebut.

Tripp Lite applique une politique d'amélioration continue. Les spécifications peuvent être modifiées sans préavis.

# TRIPP·LITE

1111 W. 35th Street, Chicago, IL 60609 USA  
[www.tripplite.com/support](http://www.tripplite.com/support)

**Warranty**  
**Registration:**  
register online today for a  
chance to win a FREE Tripp Lite  
product—[www.tripplite.com/warranty](http://www.tripplite.com/warranty)



# Руководство пользователя

## Переносной блок кондиционирования

SRCOOL12K (120 В, 60 Гц)  
SRXCOOL12K (230 В, 50 Гц)

<b>Введение</b>	<b>32</b>
<b>Важные правила техники безопасности</b>	<b>32</b>
<b>Внешний вид</b>	<b>33</b>
<b>Установка</b>	<b>34</b>
<b>Эксплуатация</b>	<b>38</b>
<b>Техническое обслуживание</b>	<b>39</b>
<b>Поиск и устранение неисправностей</b>	<b>40</b>
<b>Хранение и обслуживание</b>	<b>40</b>
<b>Гарантийные обязательства и регистрация гарантии</b>	<b>40</b>
<b>English</b>	<b>1</b>
<b>Español</b>	<b>11</b>
<b>Français</b>	<b>21</b>



1111 Запад, 35-я улица, Чикаго, Иллинойс 60609, США.

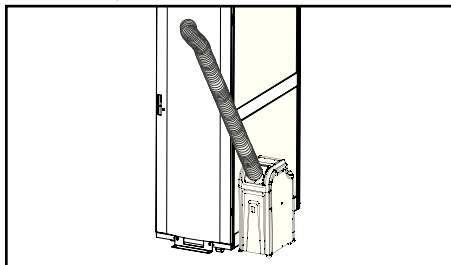
[www.tripplite.com/support](http://www.tripplite.com/support)

Copyright © 2011 Tripp Lite.

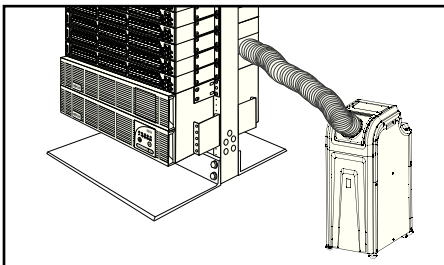
## Введение

Автономный переносной блок кондиционирования (SRCOOL12K / SRXCOOL12K) обеспечивает дополнительную охлаждающую способность 12000 BTU (до 3,4 кВт). Предназначенный для использования в области ИТ, он идеально подходит для охлаждения перегретых шкафов, горячих зон ИТ-оборудования и сетевых узлов, не имеющих доступа к системе кондиционирования объекта. Переносной блок кондиционирования может направлять холодный воздух с помощью гибкого трубопровода или охлаждать небольшое помещение через вентиляционные решетки блока. Кроме того, блок фильтрует и осушает воздух для улучшения условий работы и надежности оборудования. Поскольку конденсат снова испаряется, не вызывая скопления влаги, вы не будете тратить время на опорожнение емкости для сбора воды. Автономная конструкция не требует каких-либо трубопроводов или специальных схем, поэтому настройка выполняется быстро и просто. Экологически безвредный хладагент R410A соответствует мировым стандартам по охране окружающей среды

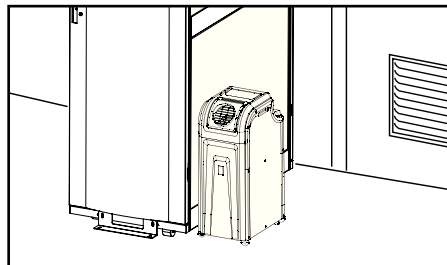
### Рекомендуемое применение:



1. Охлаждение перегретых стоек.



2. Охлаждение перегретых зон оборудования внутри или снаружи корпуса стойки.



3. Охлаждение небольшого помещения.

## Важные правила техники безопасности



### СОХРАНИТЕ ЭТИ ПРАВИЛА

Данное руководство содержит правила безопасности и предупреждения, которые нужно соблюдать во время монтажа, эксплуатации и хранения этого продукта. Несоблюдение этих правил может повлиять на гарантию.

### Предупреждения

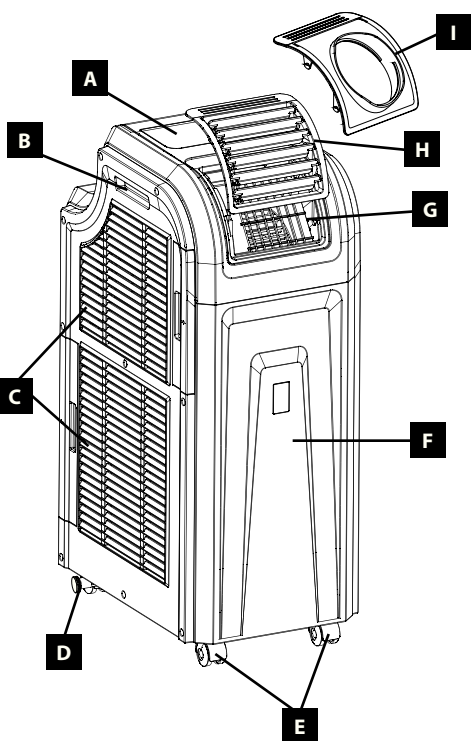
- Перед использованием настоящего изделия каждый пользователь должен самостоятельно определить степень его пригодности для предполагаемого применения, а также степень безопасности такого применения. Так как настоящее изделие имеет множество вариантов применения, производитель не дает гарантийных обязательств в отношении пригодности настоящего изделия для тех или иных конкретных применений.
- Блок кондиционирования устанавливается в помещении без резких перепадов температуры и влажности, которое не содержит токопроводящих веществ и пыли, вне зоны воздействия прямых солнечных лучей.
- Нужно оставить вокруг блока достаточно места для вентиляции, с задней и вентилируемой стороны — не менее 20 дюймов (51 см) от стен или других препятствий.
- Блок устанавливается на плоскую поверхность с уклоном не более 10°.
- Блок подключается непосредственно к розетке сети переменного тока, оборудованной заземлением. Невыполнение этого требования может привести к поражению электрическим током или пожару.
- Источник электропитания для этого блока должен быть однофазный, а его номинал согласуется с данными на заводской табличке блока.
- Нельзя переделывать вилку, а также использовать переходник, что может нарушить подключение к заземлению.
- Для подключения блока к розетке нельзя применять удлинители. Используется только шнур питания, который поставляется вместе с блоком.
- Следует соблюдать все необходимые правила и нормативы по безопасности, такие как Правила устройства электроустановок (NEC) в США.
- Не подключать дополнительное оборудование в розетку, в которую уже подключен блок. Перегрузка розетки может привести к поражению электрическим током или пожару.
- Нельзя включать или выключать блок путем вытаскивания или подключения сетевой вилки. Может произойти серьезное поражение электрическим током. Для включения или выключения блока использовать кнопку ON / OFF.
- Перед выполнением технического обслуживания блок нужно выключить и вытащить вилку из розетки.
- Перед подключением блока к специализированной системе дренажа его нужно выключить и вытащить вилку из розетки. Когда блок подключен к сети, существует опасность поражения электрическим током.
- Техническое обслуживание должно выполняться квалифицированным персоналом.
- Для очистки корпуса блока нельзя применять растворители, спирт, моющие средства или абразивные материалы. Эти вещества могут повредить корпус.
- Нельзя лить воду на блок. Это может привести к поражению электрическим током и повреждению блока.
- Запрещена эксплуатация блока без воздушного фильтра. Это может привести к скоплению пыли и повреждению блока.
- Запрещена эксплуатация блока в помещении с недостаточным воздухообменом. Обеспечить приток воздуха в соответствии с действующими строительными нормами.
- Не ставить на блок посторонние предметы.
- Не рекомендуется использовать это оборудование в приложениях искусственного поддержания жизнедеятельности, где отказ настоящего оборудования может вызвать остановку оборудования поддержания жизнедеятельности или значительно повлиять на его безопасность или эффективность. Не использовать это оборудование в средах, которые содержат легко воспламеняемые смеси обезболяющих составов с воздухом, кислородом или закисью азота.



## Внешний вид

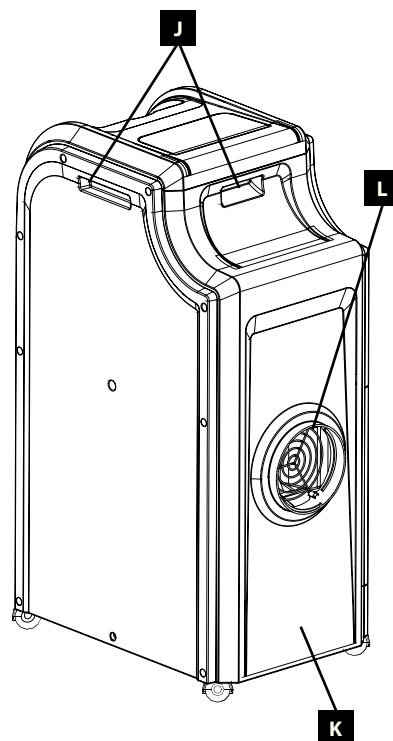
### Вид спереди

- A** Панель управления
- B** Углубление для переноса
- C** Крышки воздушного фильтра
- D** Дренажный слив (Показан с установленным дренажным патрубком)
- E** Ролики
- F** Передняя панель
- G** Решетка выпуска охлажденного воздуха
- H** Вставка с жалюзи (предварительно установлены)
- I** Переходник для охлаждающего воздуховода (опция)



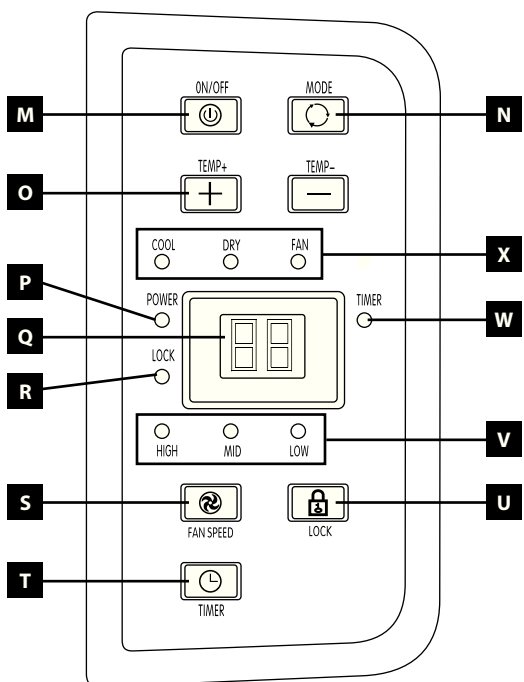
### Вид сзади

- J** Углубления для переноса
- K** Задняя панель
- L** Выпуск отработанного нагретого воздуха



### Панель управления

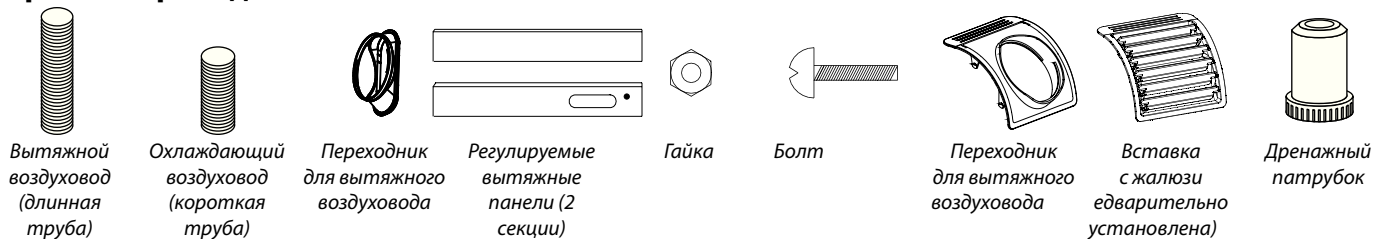
- M** Кнопка выключателя питания
- N** Кнопка "MODE" (режим)
- O** Кнопки регулировки температуры
- P** Светодиод "POWER" (питание)
- Q** цифровой дисплей (для температуры или задержки времени)
- R** Светодиод "LOCK" (блокировка)
- S** Кнопка "FAN SPEED" (режим работы вентилятора)
- T** Кнопка "TIMER" (таймер)
- U** Кнопка "LOCK" (блокировка)
- V** Светодиоды индикации скорости вращения вентилятора
- W** Светодиод "TIMER" (таймер)
- X** Светодиоды индикации режима работы



## Установка

**Предупреждение:** После извлечения блока из транспортной тары проверить на отсутствие повреждений или недостающих частей. (См. комплект поставки ниже.) Если вы столкнулись с проблемами, посетите веб-сайт [www.tripplite.com/support](http://www.tripplite.com/support) для получения помощи. Эксплуатация поврежденного блока запрещена.

### Перечень принадлежностей в комплекте поставки:

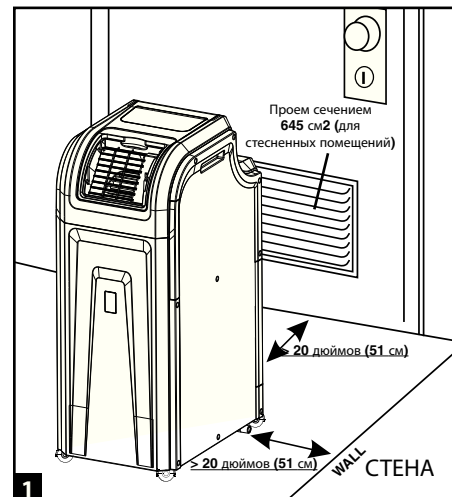


### 1 Размещение блока

Установить блок на плоской, ровной поверхности рядом с заземленной сетевой розеткой, параметры сети должны соответствовать указанным в заводской табличке (допускаются отклонения 90-110% от указанного напряжения). Нужно оставить вокруг блока достаточно места для вентиляции, с задней и вентилируемой стороны — не менее 20 дюймов (51 см) от стен или других препятствий. Блок должен быть расположен в таком месте, где имеется удобный доступ к подвесному потолку или окну, чтобы обеспечить прямой кратчайший путь для гибкого вытяжного воздуховода. Если планируется использовать гибкий воздуховод для направления охлажденного воздуха на конкретную стойку или устройство, нужно установить блок кондиционирования рядом с такой стойкой или устройством, чтобы создать прямой, кратчайший маршрут для воздуховода.

**Предупреждение:** Для подключения блока к розетке нельзя применять удлинители. Используется только шнур питания, который поставляется вместе с блоком.

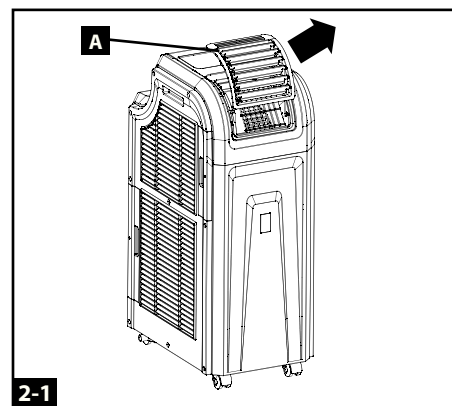
*Примечание:* Если блок будет работать в стесненном помещении (например, маленькой комнате), необходимо обеспечить приток воздуха для поддержания эффективного воздухообмена. Вентиляционный проем сечением 100 кв. дюймов (645 см<sup>2</sup>) или больше, оборудованный в нижней части двери, будет обеспечивать достаточный приток воздуха для типового помещения. Более подробная информация приведена в соответствующих строительных нормативах.



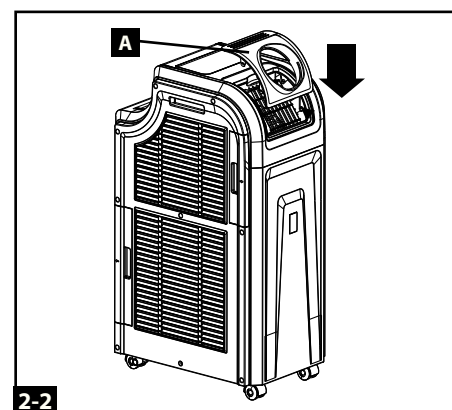
### 2 Присоединение охлаждающего воздуховода (опция)

Предварительно установленная вставка с жалюзи предназначена для охлаждения всего помещения. Если планируется охладить помещение целиком, шаг 2 можно пропустить и перейти к шагу 3. Если планируется использовать гибкий воздуховод для направления охлажденного воздуха на конкретное устройство или шкаф, выполнить инструкции, приведенные ниже.

**2-1** Удалить вставку с жалюзи **A** потянув ее наружу и вверх.

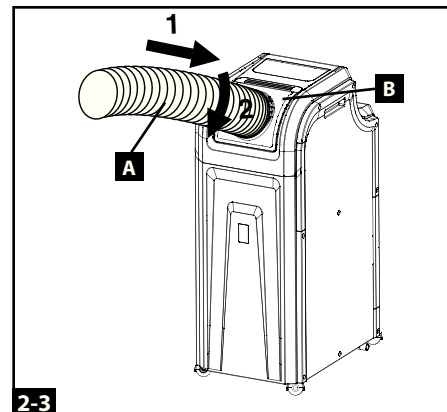


**2-2** Наложить переходник охлаждающего воздуховода **A** на вентиляционный проем и надавить его вниз, чтобы зафиксировать на месте.

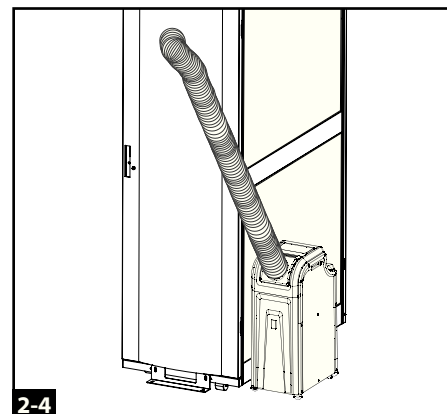


## Установка (продолжение)

- 2-3** Подсоединить гибкий охлаждающий воздуховод (короткая трубка **A**) к переходнику воздуховода **B**. Насадить воздуховод на круглую горловину переходника и вращать его по часовой стрелке, чтобы плотно навинтить на переходник.

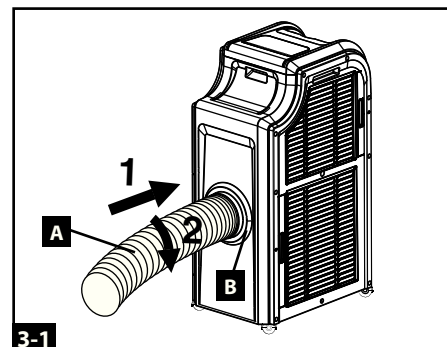


- 2-4** Разместить другой конец охлаждающего воздуховода возле устройства или шкафа, требующего охлаждения. Проложить воздуховод нужно по самому короткому и прямому маршруту. Если планируется охладить стойку, разместить конец охлаждающего воздуховода напротив перфорированной области в верхней части передней двери шкафа (или в верхней части блока оборудования, которое требует охлаждения). Охлажденный воздух будет проникать и распространяться через воздухозаборники в передней части стойки.

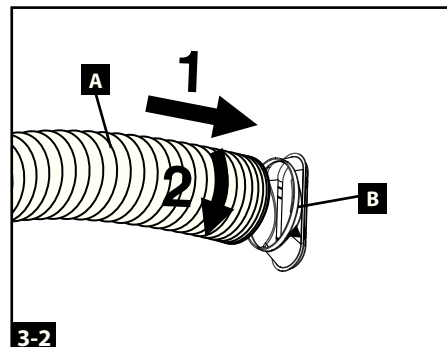


### 3 Присоединение вытяжного воздуховода

- 3-1** Присоединить гибкий вытяжной воздуховод (длинная трубка **A**) к выпуску отработанного нагретого воздуха на задней панели блока **B**. Насадить воздуховод на круглую горловину выпуска и вращать его по часовой стрелке, чтобы плотно навинтить на выпуск.



- 3-2** Присоединить другой конец вытяжного воздуховода **A** к переходнику вытяжного воздуховода **B**. Насадить воздуховод на круглую горловину переходника и вращать его по часовой стрелке, чтобы плотно навинтить на переходник. Если планируется вывести вытяжной воздуховод в пространство за подвесным потолком, перейти к шагу **4**. Если планируется вывести вытяжной воздуховод за окно, перейти к шагу **5**.



### 4 Присоединение вытяжного воздуховода к подвесному потолку

**Предупреждение:** Для некоторых потолков может потребоваться изменение процедуры монтажа. Пользователь должен самостоятельно определить пригодность принадлежностей и процедур до начала монтажа. Процедуры, описанные в данном руководстве, могут не подходить для всех случаев.

**4-1** Выбрать съемную потолочную панель поблизости от блока кондиционирования, чтобы обеспечить самый прямой и короткий путь для вытяжного воздуховода. Измерить ширину потолочной панели с учетом той части, которая опирается на опорную раму. Соединить две секции регулируемой вытяжной панели, а затем отрегулировать их так, чтобы они соответствовали ширине потолочной панели. После установки правильной ширины вытяжной панели зафиксировать ее на месте с помощью болта и гайки из комплекта поставки. Примечание: Вытяжную панель можно отрегулировать на ширину от 67,5 до 125 см.

**4-2** Вставить переходник вытяжного воздуховода в продолговатое отверстие в регулируемой вытяжной панели. Переходник защелкнется на месте.

**4-3** Сдвинуть потолочную панель и поместить вытяжную панель в потолочное пространство. Вытяжная панель должна опираться на опорную раму. *Примечание: Для обеспечения достаточного воздухообмена над вытяжной панелью должно быть не менее 10 дюймов (25,4 см) свободного пространства.*

**4-4** Сдвинуть потолочную панель на место таким образом, чтобы она стала вплотную к вытяжной панели и закрыла какие-либо зазоры в потолке. Герметичное уплотнение обеспечит максимальную эффективность охлаждения. Если установка выполняется постоянно, обрезать потолочную панель, чтобы она не перекрывала опорную раму.

*Примечание: Гибкий вытяжной воздуховод можно растянуть до максимальной длины 118 дюймов (300 см). Обеспечить для него самый прямой и короткий маршрут. Чрезмерный изгиб или растяжение воздуховода ведет к снижению эффективности охлаждения.*

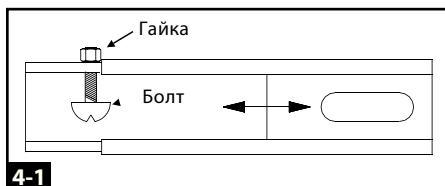
После завершения шага **4**, перейти к шагу **6**.

### 5 Присоединение вытяжного воздуховода к окну

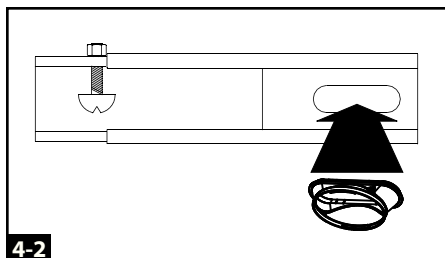
**Предупреждение:** Для некоторых окон может потребоваться изменение процедуры монтажа. Пользователь должен самостоятельно определить пригодность принадлежностей и процедур до начала монтажа. Процедуры, описанные в данном руководстве, могут не подходить для всех случаев.

**5-1** Измерить оконный проем. Соединить две секции регулируемой вытяжной панели, а затем отрегулировать их так, чтобы они соответствовали ширине оконного проема. После установки правильной ширины вытяжной панели зафиксировать ее на месте с помощью болта и гайки из комплекта поставки. *Примечание: Вытяжную панель можно отрегулировать на ширину от 67,5 до 125 см. Она пригодна для вертикальной и горизонтальной установки*

**5-2** Вставить переходник вытяжного воздуховода в продолговатое отверстие в регулируемой вытяжной панели. Переходник защелкнется на месте.



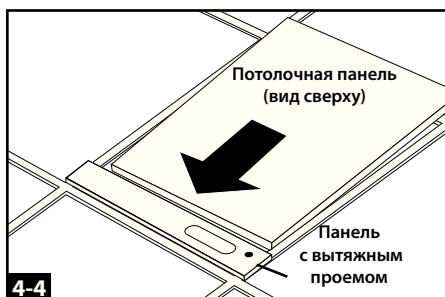
4-1



4-2



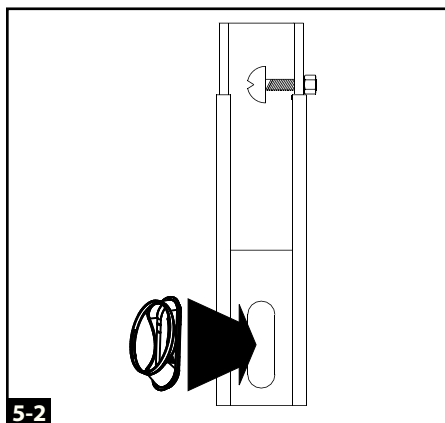
4-3



4-4



5-1

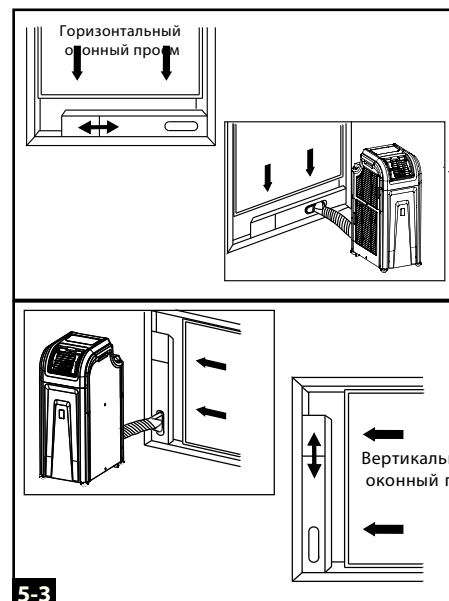
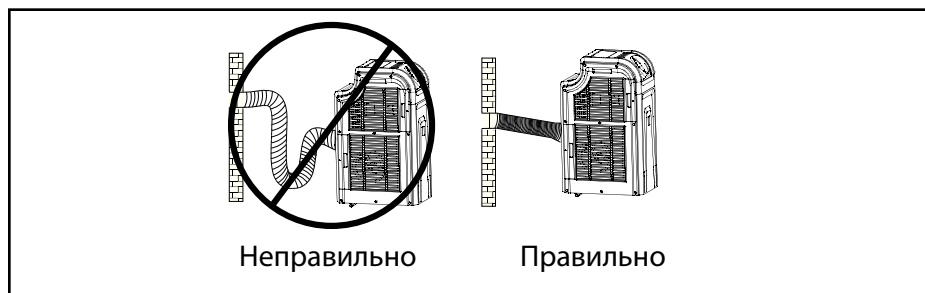


5-2

## Установка (продолжение)

- 5-3** Вставить вытяжную панель в оконный проем, а затем закрыть окно до вытяжной панели. Герметичное уплотнение обеспечит максимальную эффективность охлаждения. *Примечание: Для обеспечения достаточного воздухообмена за вытяжной панелью должно быть не менее 10 дюймов (25,4 см) свободного пространства.*

*Примечание: Гибкий вытяжной воздуховод можно растянуть до максимальной длины 118 дюймов (300 см). Обеспечить для него самый прямой и короткий маршрут. Чрезмерный изгиб или растяжение воздуховода ведет к снижению эффективности охлаждения.*



## 6 Установка дренажной заглушки

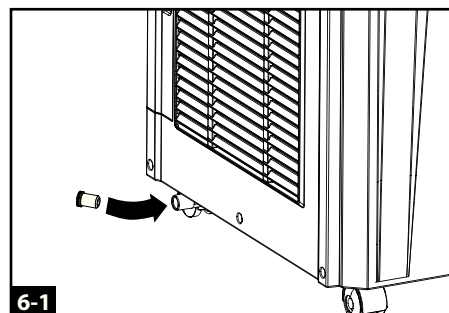
**Предупреждение:** Встроенный в блок испаритель не будет работать, пока в дренажный слив не будет вставлена заглушка.

Когда блок работает в режиме охлаждения или осушения, образуется конденсат. В блоке есть встроенный испаритель, который позволяет удалить конденсат вместе с потоком отработанного нагретого воздуха. Эта функция позволяет блоку работать длительное время, не требуя опустошения емкости для сбора воды.

- 6-1** Вставить заглушку в дренажный слив, чтобы задействовать функцию испарения конденсата.

*Примечание: Вместо использования функции испарения можно присоединить дренажный слив к специализированной дренажной системе. Вытащить дренажную заглушку, если она установлена, присоединить один конец дренажной трубки к дренажному сливу, а другой конец трубки присоединить к дренажной системе объекта. Если дренажная система забивается, конденсат будет собираться в небольшой внутренний резервуар. Если дренажная система остается забитой после заполнения внутреннего резервуара, блок кондиционирования автоматически выключится.*

**Предупреждение:** Перед подключением блока к специализированной системе дренажа его нужно выключить и вытащить вилку из розетки. Когда блок подключен к сети, существует опасность поражения электрическим током.



## Эксплуатация

**Предупреждение:** До начала эксплуатации установить блок в соответствии с инструкциями, приведенными в разделе «Установка».

### Электропитание

Включить или выключить устройство можно нажатием кнопки “ON/OFF”.

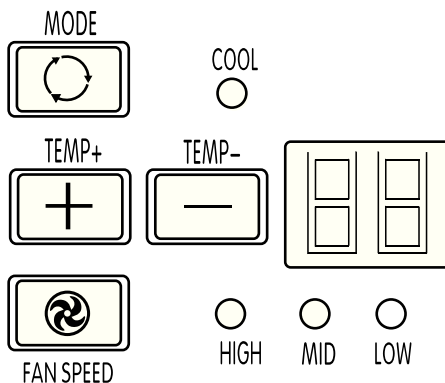


### Функция автоматического перезапуска

Блок кондиционирования будет автоматически включаться и возобновлять свою работу при восстановлении питания после отключения электроэнергии. Блок будет использовать те же настройки, что использовались непосредственно перед отключением электроэнергии. *Примечание: Если отключение электроэнергии кратковременное, блок будет работать в режиме вентилятора в течение двух минут, прежде чем*

### Режим охлаждения

При нажатии кнопки “MODE” режим циклически переключается между охлаждением, осушением и режимом вентиляции. Когда активен режим охлаждения, горит светодиод “COOL”.

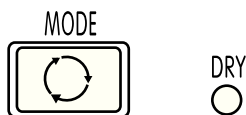


Температура в режиме охлаждения устанавливается кнопками TEMP+ и TEMP-. Выбранная температура отображается на цифровом дисплее.

Нажатием кнопки “FAN SPEED” можно переключаться между высокой, средней и низкой скоростью вращения вентилятора. Выбранная скорость вентилятора указывается соответствующим светодиодом.

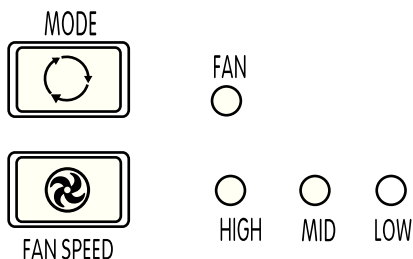
### Режим осушения

При нажатии кнопки “MODE” режим циклически переключается между охлаждением, осушением и режимом вентиляции. Когда активен режим осушения, горит светодиод “DRY”. В режиме осушения, вентилятор работает на фиксированной скорости, а органы управления температурой не оказывают влияния. Для оптимальной производительности в режиме осушения нужно закрыть окна и двери.



### Режим вентиляции

При нажатии кнопки “MODE” режим циклически переключается между охлаждением, осушением и режимом вентиляции. Когда активен режим осушения, горит светодиод “FAN”.



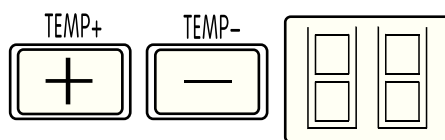
Нажатием кнопки “FAN SPEED” можно переключаться между высокой, средней и низкой скоростью вращения вентилятора. Выбранная скорость вентилятора указывается соответствующим светодиодом.

### Таймер

Кнопка “ТАЙМЕР” позволяет планировать автоматическое включение или выключение блока. Когда активен режим работы по таймеру, горит светодиод “TIMER”.

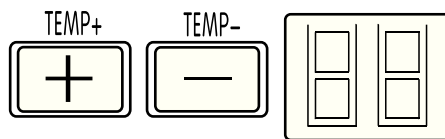


**Включение по таймеру** (Примечание: чтобы активировать функцию включения по таймеру, блок должен быть выключен. Прежде чем активировать функцию включения по таймеру, следует убедиться, что настройки режима, температуры и скорости вращения вентилятора выставлены правильно.) Для активирования таймера нужно нажать кнопку “TIMER”. Нажатием кнопок TEMP + и TEMP- можно установить время задержки (в часах) до включения блока кондиционирования. Выбранное время задержки в часах отображается на цифровом дисплее. Для подтверждения значения задержки нажать кнопку “TIMER” еще раз.



**Выключение по таймеру** (Примечание: чтобы активировать функцию выключения по таймеру, блок должен быть включен.)

Для активирования таймера нужно нажать кнопку “TIMER”. Нажатием кнопок TEMP + и TEMP- можно установить время задержки (в часах) до выключения блока кондиционирования. Выбранное время задержки в часах отображается на цифровом дисплее. Для подтверждения значения задержки нажать кнопку “TIMER” еще раз.



## Эксплуатация (продолжение)

### Блокировка системы

Для активирования функции блокировки системы нужно нажать кнопку "LOCK". Когда функция блокировки системы активна, горит светодиод "LOCK" и все остальные кнопки заблокированы, чтобы предотвратить случайное нажатие.



## Уход

Периодическое обслуживание продлевает срок службы блока и позволяет достичь максимальной эффективности эксплуатации.

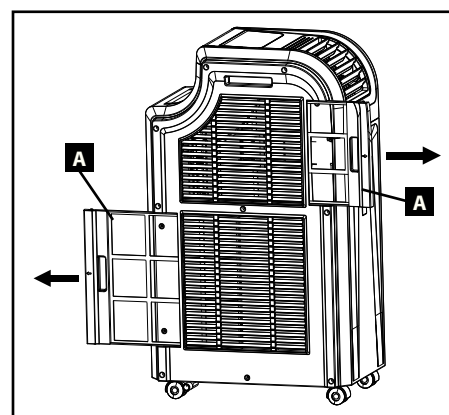
### Очистка воздушных фильтров

Воздушные фильтры следует содержать в чистоте и очищать от пыли. Когда фильтры загрязнены или забиты пылью, снижается эффективность охлаждения и это может ухудшать качество воздуха. Tripp Lite рекомендует чистить фильтры не реже одного раза в две недели.



**Перед очисткой фильтров блок нужно выключить и отсоединить от сети! Когда блок подключен к сети, существует опасность поражения электрическим током.**

1. Выключить блок и отсоединить его от сети.
2. Снять фильтры **A** выткнув их из корпуса.
3. Промыть фильтры в теплой воде с нейтральным моющим средством. Нельзя мыть фильтры в посудомоечной машине, либо использовать агрессивные моющие средства или химические вещества. После стирки дать фильтрам полностью высохнуть на воздухе. Примечание: Не использовать для очистки фильтров воду с температурой выше 40°C.
4. Установить фильтры, задвинув их обратно в корпус в первоначальное положение.
5. Подключить устройство к сети и возобновить нормальную работу.



### Очистка корпуса



**Перед очисткой корпуса блок нужно выключить и отсоединить от сети! Когда блок подключен к сети, существует опасность поражения электрическим током.**

1. Выключить блок и отсоединить его от сети.
2. Корпус блока следует протирать сухой, неабразивной тканью. Не использовать бензин, бензол, растворители или другие агрессивные химикаты, которые могут повредить поверхность. Нельзя лить воду непосредственно на блок или в рабочие компоненты. Это может привести к поражению электрическим током и порче электрических компонентов и изоляции проводов.
3. В крайнем случае, можно протереть блок влажной тряпкой, чтобы удалить загрязнение.

## Поиск и устранение неисправностей

Ниже приведен обзор возможных решений. Если вы столкнулись с проблемами, посетите веб-сайт [www.tripplite.com/support](http://www.tripplite.com/support) для получения помощи.

Проблема	Возможная причина	Возможное решение
Блок не работает.	Блок выключен.	Включить блок. (См. раздел "Эксплуатация").
	Блок не подключен.	Подключить блок к соответствующей электрической розетке.
	Отсутствует подача электроэнергии.	Проверить предохранители или автоматические прерыватели.
Охлаждающая способность неудовлетворительная.	Заблокированы входные или выходные воздуховоды.	Проверить, что все воздуховоды и впускные отверстия не создают препятствий движению воздуха.
	Установки температуры слишком высокие.	Отрегулировать установки температуры.
	Установки скорости вращения вентилятора слишком низкие.	Отрегулировать установки скорости вентилятора.
	Воздушные фильтры загрязнены.	Очистить воздушные фильтры.
	Электрическая мощность стойки, размер комнаты или температура окружающего воздуха превышают охлаждающие возможности одного блока.	Установить дополнительные блоки или связаться с компанией Tripp Lite для получения решений по дополнительному охлаждению, подходящих для конкретного случая.
Из блока течет вода.	Дренажная заглушка не установлена.	Вставить дренажную заглушку в дренажный слив. (См. раздел "Установка").
Блок создает чрезмерный шум или вибрацию.	Блок находится на неровной или неустойчивой поверхности.	Переместить блок на ровную, устойчивую поверхность.

## Хранение и обслуживание

### Хранение

Перед отправкой блока на хранение убедиться, что воздуховоды и проемы закреплены или сняты, и с ними правильно обращаются. Также нужно убедиться, что из блока слит конденсат.

### Сервисное обслуживание

На продукцию компании Tripp Lite дается ограниченная гарантия, условия которой изложены в настоящем руководстве. Также доступны различные программы продлеваемой гарантии и обслуживания на объекте от компании Tripp Lite.

Для получения более подробной информации о сервисном обслуживании посетите веб-сайт компании [www.tripplite.com/support](http://www.tripplite.com/support). Перед возвратом продукции для обслуживания, выполните следующие действия:

1. Просмотрите инструкции по установке и эксплуатации, изложенные в настоящем руководстве, чтобы убедиться, что проблемы происходят не из-за неправильного понимания инструкций.
2. Если проблема сохраняется, не обращайтесь и не возвращайте изделие торговому посреднику. Вместо этого посетите веб-сайт [www.tripplite.com/support](http://www.tripplite.com/support).
3. Если для решения проблемы требуется ремонт, посетите веб-сайт [www.tripplite.com/support](http://www.tripplite.com/support) и перейдите по ссылке Product Returns (возврат продукции). Здесь можно сделать запрос о номере разрешения на возврат (RMA), который необходим для ремонта. В этой простой интерактивной форме нужно будет заполнить номер модели устройства и его серийный номер, а также общую информацию о покупателе. Номер RMA вместе с инструкциями по отправке будет выслан по электронной почте. Любые повреждения продукции (прямые, косвенные, умышленные или побочные), полученные в результате транспортировки в компанию Tripp Lite или в уполномоченный сервисный центр, гарантией не покрываются. Транспортировка продукции в компанию Tripp Lite или авторизованный сервисный центр должна быть оплачена отправителем. На внешней стороне упаковки нанесите номер разрешения на возврат. Если продукт находится на гарантии, вложите копию чека или документа на приобретение. Доставка продукции для обслуживания осуществляйте через застрахованных перевозчиков по адресу, полученному вместе с разрешением на возврат.

### Warranty

Ограниченная гарантия 1 год

Продавец гарантирует для данного продукта отсутствие дефектов в материалах и технологиях в течение 1 года от даты первичной продажи при условии использования его в соответствии со всеми применимыми инструкциями. В случае выявления дефектов, связанных со свойствами материала или качеством изготовления данного изделия в течение указанного периода, продавец обязуется, по своему усмотрению, провести за свой счет его ремонт или замену. Обслуживание по данному гарантийному обязательству может быть получено при условии доставки или отгрузки продукта (при условии предоплаты всех затрат по доставке или отгрузке) по адресу: Tripp Lite, 1111 Запад, 35-я улица, Чикаго, Иллинойс 60609, США. Продавец оплачивает затраты по отправке обратно.

ЭТА ГАРАНТИЯ НЕ РАСПРОСТРАНЯЕТСЯ НА НОРМАЛЬНЫЙ ИЗНОС ИЛИ ПОВРЕЖДЕНИЕ ПРОДУКТА В РЕЗУЛЬТАТЕ НЕСЧАСТНОГО СЛУЧАЯ, НЕПРАВИЛЬНОГО ИСПОЛЬЗОВАНИЯ, НЕБРЕЖНОГО ОБРАЩЕНИЯ ИЛИ ПРЕНЕБРЕЖЕНИЯ ПРАВИЛАМИ ЭКСПЛУАТАЦИИ. ПРОДАВЕЦ НЕ ЗАЯВЛЯЕТ НИКАКИХ ГАРАНТИЙ, КРОМЕ ЯВНО ВЫРАЖЕННЫХ ЗДЕСЬ. ЗА ИСКЛЮЧЕНИЕМ ОГРАНИЧЕНИЙ, ЗАПРЕЩЕННЫХ ДЕЙСТВУЮЩИМ ЗАКОНОДАТЕЛЬСТВОМ, ВСЕ ПОДРАЗУМЕВАЕМЫЕ ГАРАНТИИ, ВКЛЮЧАЯ ВСЕ ГАРАНТИИ ПРИГОДНОСТИ К ПРОДАЖЕ ИЛИ ГОДНОСТИ ДЛЯ КОНКРЕТНОГО ПРИМЕНЕНИЯ, ОГРАНИЧЕНЫ ПО СРОКУ ДЕЙСТВИЯ ГАРАНТИЙНЫМ ПЕРИОДОМ, УКАЗАННЫМ ВЫШЕ; И ЭТА ГАРАНТИЯ ЯВНО ИСКЛЮЧАЕТ ВСЕ СЛУЧАЙНЫЕ ИЛИ ПОБОЧНЫЕ ПОВРЕЖДЕНИЯ. (Применимое законодательство некоторых стран запрещает ограничение срока действия подразумеваемой гарантии; в других странах запрещено исключение или ограничение действия гарантии в отношении случайных или последующих повреждений. В связи с этим, вышеперечисленные ограничения и исключения действия настоящей гарантии могут оказаться неприменимыми в вашем конкретном случае. Настоящая гарантия предоставляет вам определенные юридические права, которые могут быть дополнены другими правами в зависимости от юрисдикции).

ВНИМАНИЕ: Перед использованием настоящего изделия каждый пользователь должен самостоятельно определить степень его пригодности для предполагаемого применения, а также степень безопасности такого применения. Так как настоящее изделие имеет множество вариантов применения, производитель не дает гарантийных обязательств в отношении пригодности настоящего изделия для тех или иных конкретных применений.

### Регистрация гарантии

Посетите веб-сайт [www.tripplite.com/warranty](http://www.tripplite.com/warranty) сегодня и зарегистрируйте гарантию для своего нового продукта компании Tripp Lite. Вы будете автоматически принимать участие в розыгрыше бесплатного продукта от компании Tripp Lite!

\* Не нужно ничего приобретать. Не делайте, если это запрещено. Применяются некоторые ограничения. Открыто только для жителей США. Подробности приведены на веб-сайте [www.tripplite.com](http://www.tripplite.com).



### Идентификационные номера, свидетельствующие о соответствии нормативным требованиям

С целью идентификации, а также сертификации соответствия нормативным требованиям, приобретенному Вами изделию компании Tripp Lite присвоен уникальный серийный номер. Серийный номер, вместе со всей необходимой информацией и маркировками об одобрении, указан на ярлыке изготовителя, прикрепленном к изделию. При запросе информации о соответствии нормативным требованиям всегда сообщайте серийный номер изделия. Не следует путать серийный номер с маркой или номером модели изделия.

### Информация о соблюдении требований директивы WEEE для клиентов Tripp Lite и перерабатывающих организаций (Европейский союз)

Примечание: Это положение относится к изделиям, отмеченным логотипом WEEE.

Согласно директиве WEEE и исполнительных нормативных документов, когда потребители покупают новое электронное и электрическое оборудование у компании Tripp Lite, они получают право:

- Отправку старого оборудования, которое является эквивалентным по количеству и идентичным полученному новому оборудованию, на утилизацию (это условие может отличаться в зависимости от страны)
- Отправку нового оборудования обратно на утилизацию, когда оно в конечном итоге становится изношенным

Политика компании Tripp Lite состоит в непрерывном усовершенствовании. Технические характеристики могут быть изменены без уведомления.



1111 Запад, 35-я улица, Чикаго, Иллинойс 60609, США.

[www.tripplite.com/support](http://www.tripplite.com/support)