

# INSTALLATION INSTRUCTIONS FOR THE 4POSTRAIL KIT

## INTRODUCTION & SAFETY INSTRUCTIONS

This guide provides you instructions on how to install the rails into a 4-post rack and place a UPS or other device on them.

This rack mounting instruction is for standard rack enclosures and open frame racks. It may not be appropriate for all mounting application. Please contact the manufacturer of your 4-post rack when the hardware is not suitable for mounting.

**ATTENTION!** During the installation of a UPS, DO NOT turn the UPS on. It may cause an electric shock. Please ensure the UPS is OFF before installation.

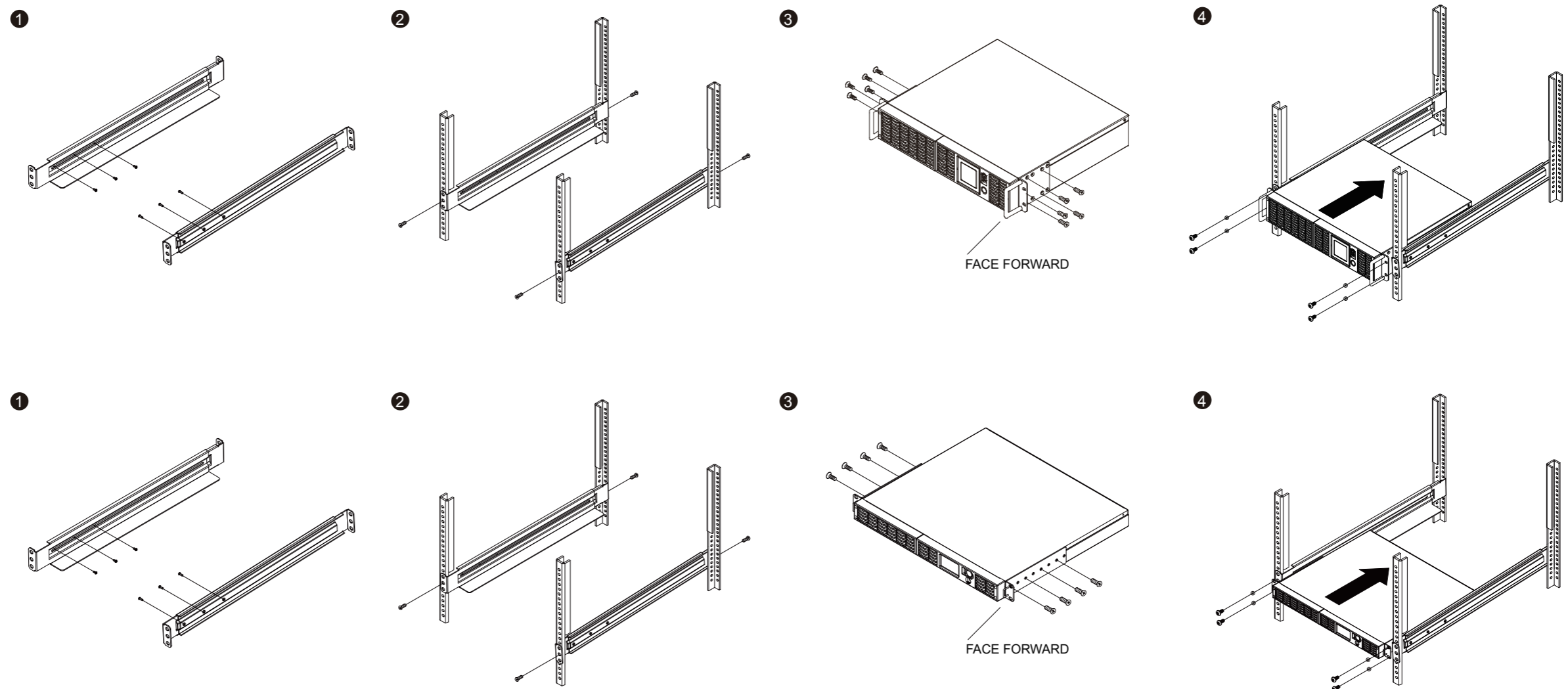
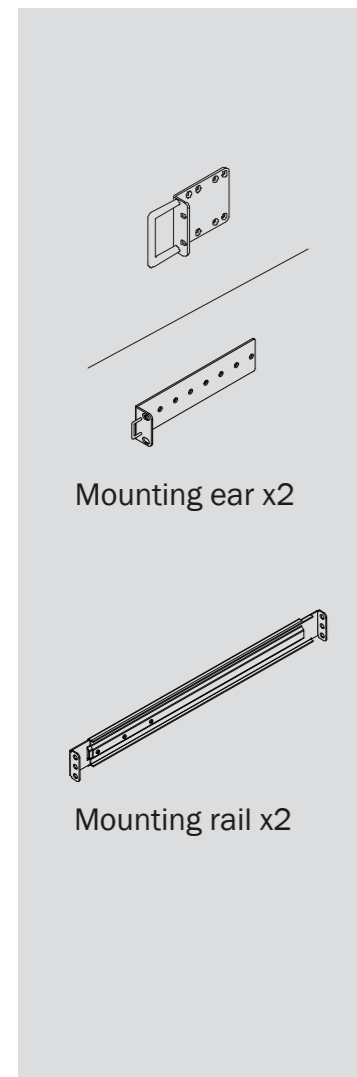
**ATTENTION!** The UPS is heavy. Be careful when lifting the UPS.

**ATTENTION!** The mounting rails are heavy. Be careful when affixing the rails to a 4-post rack.

**ATTENTION!** Use 2 people to install equipment on to the 4POSTRAIL rack mount rails.

## INSTALLATIONS

### 4POSTRAIL



- 1 Fasten each of two rails with the included screws. Leave the screws loose in order to adjust it to fit the rack length.
- 2 Adjust the rails to match the length of the rack, and then tighten the screws and nuts at the four corners.

- 3 Use the screws provided to affix the mounting ears to the two sides of the UPS. (If mounting a non-CyberPower product, use the mounting ears and screws provided with that equipment.)
- 4 Slide the UPS into the rails and affix the UPS in the rack by screwing the mounting ears to the rack.