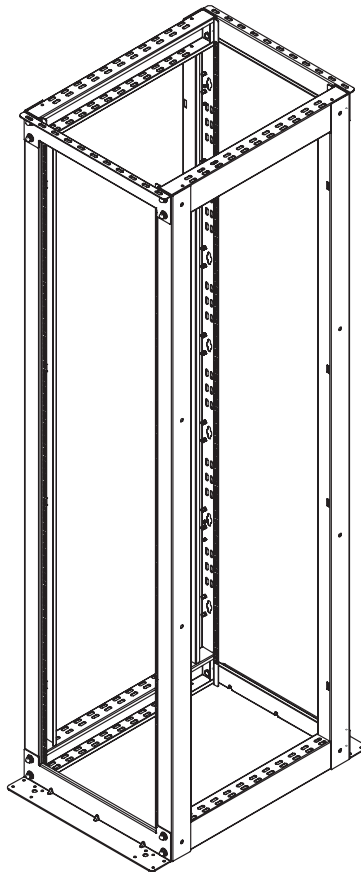


Assembly Instructions

SmartRack[®] 4-Post Heavy-Duty Open Frame Racks

Models: SR4POST48HD, SR4POST50HD, SR4POST52HD, SR4POST58HD



PROTECT YOUR INVESTMENT!

Register your product for quicker service and ultimate peace of mind.

You could also win an ISOBAR6ULTRA surge protector—a \$50 value!

www.tripplite.com/warranty



1111 West 35th Street, Chicago, IL 60609 USA • www.tripplite.com/support

Copyright © 2014 Tripp Lite. All trademarks are the sole property of their respective owners.

Parts List



A

Front Upright

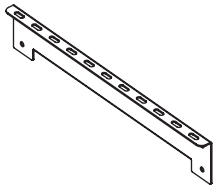
x2



B

Rear Upright

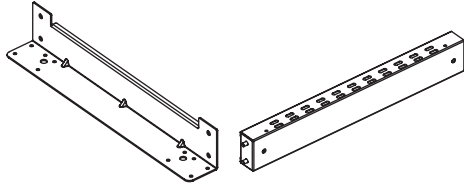
x2



C

Top Flange

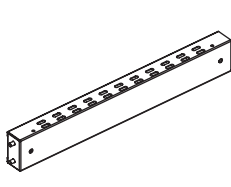
x2



D

Base Flange

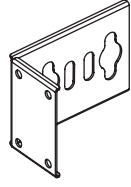
x2



E

Horizontal Beam

x4

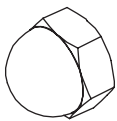


F

PDU Bracket

x2

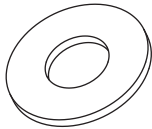
SRCASTER Kit (Optional, Sold Separately)



G

M10 Acorn Nut

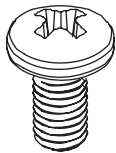
x16



H

M10 Flat Washer

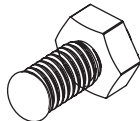
x16



I

M6x12 Phillips Head Screw

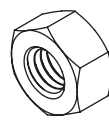
x4



J

M6x16mm Hex Head Screw

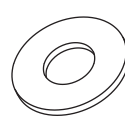
x16



K

M6 Hex Nut

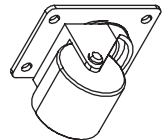
x16



L

M6 Flat Washer

x32



M

Caster

x4

Required tools (User Supplied):

- Phillips Head Screwdriver
- 16 mm Open End Wrench

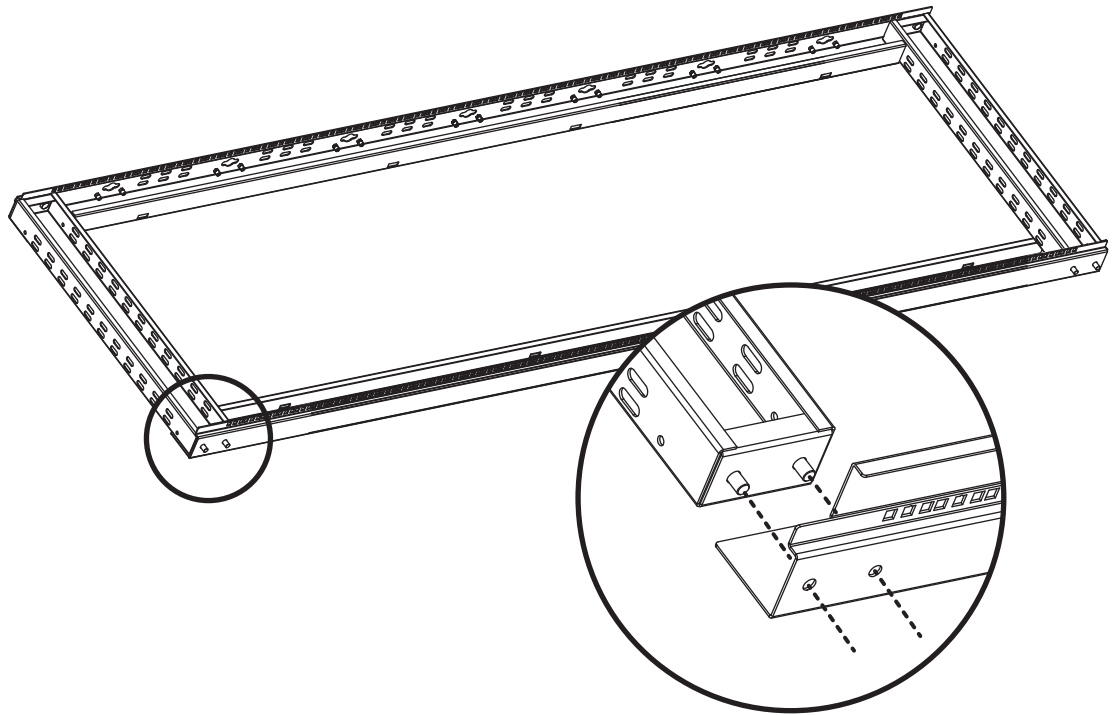
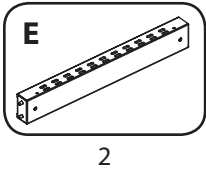
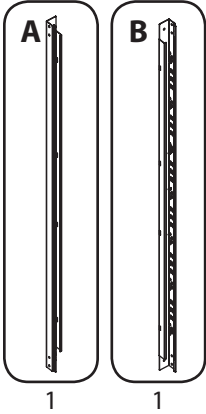


WARNING: The rack enclosure is extremely heavy. Do not attempt to unpack, move, assemble or install the enclosure without assistance. Until it has been properly assembled and stabilized, the enclosure is prone to tipping and could cause property damage and/or personal injury. Use extreme caution when assembling the enclosure. Do not attempt to install equipment without first stabilizing the enclosure.

step

1

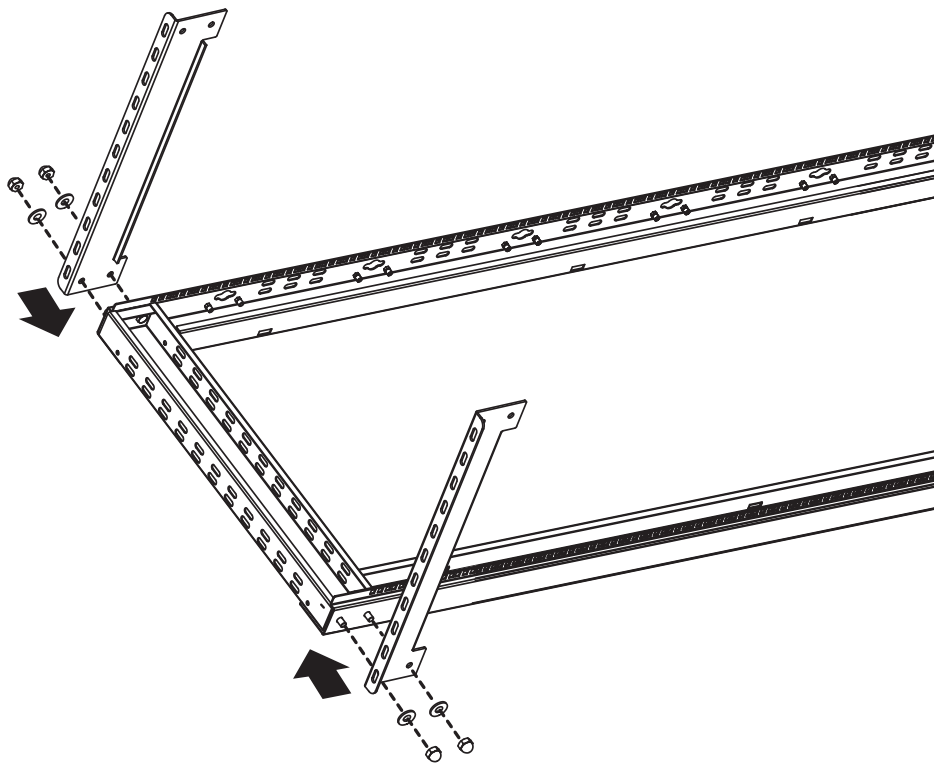
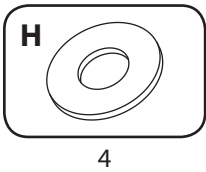
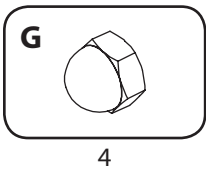
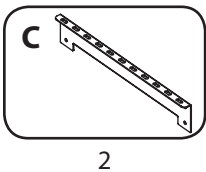
Lay out parts on the floor or a stable work surface and assemble as shown.



step

2

Attach the washers and acorn nuts, but leave them loose. This will allow the unit to flex later in the assembly process.

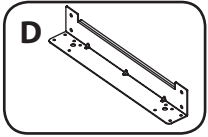


3

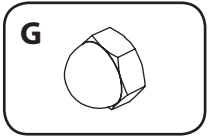
step

3

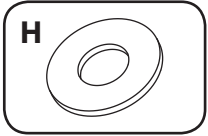
Attach the washers and acorn nuts, but leave them loose.



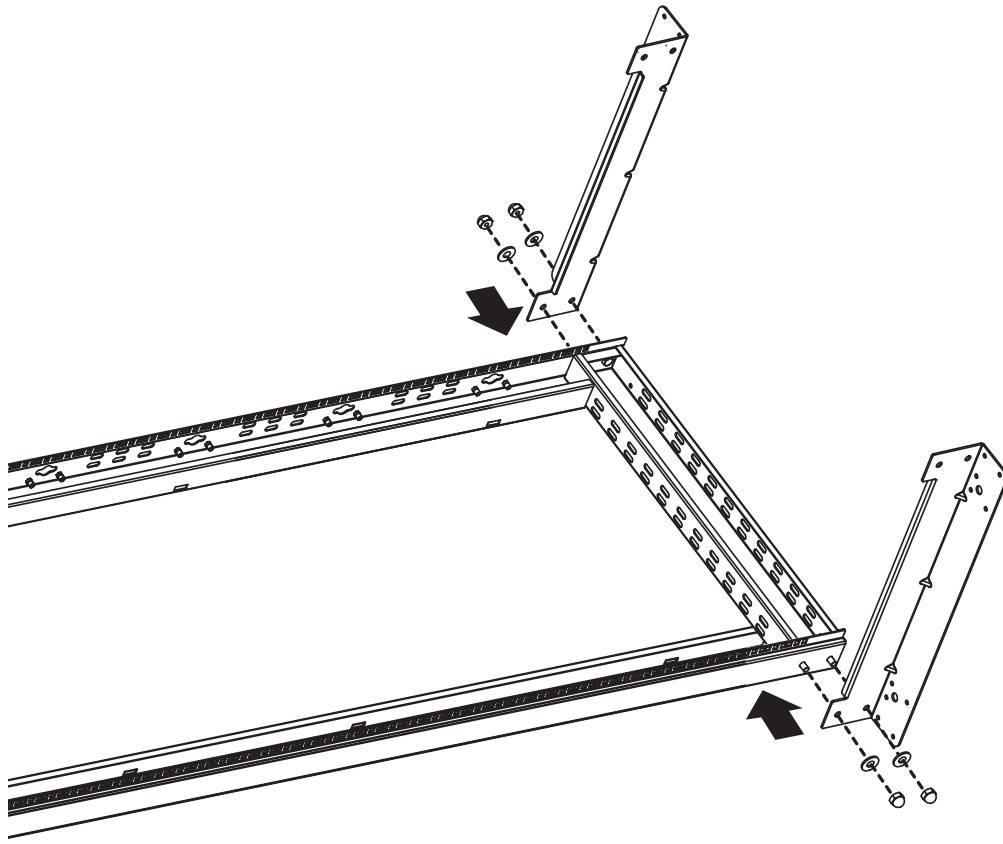
2



4

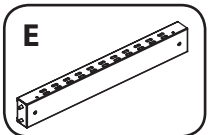


4

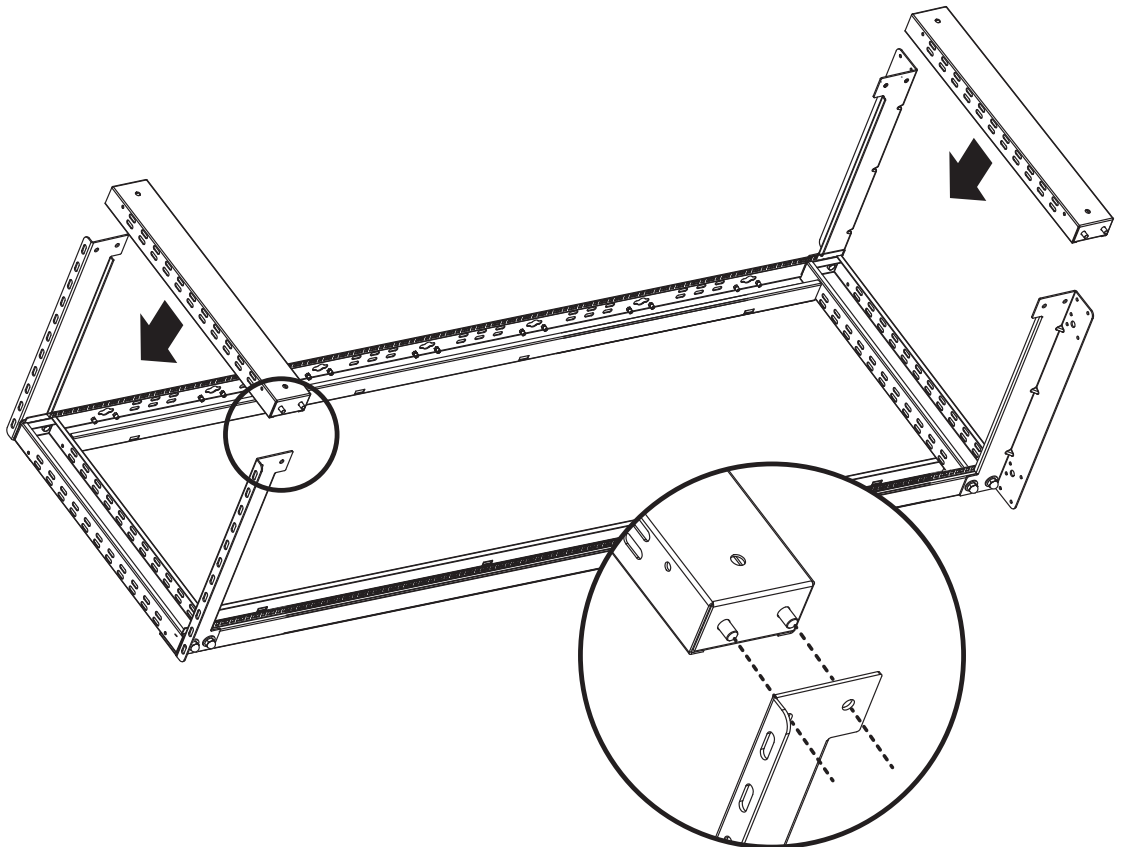


step

4



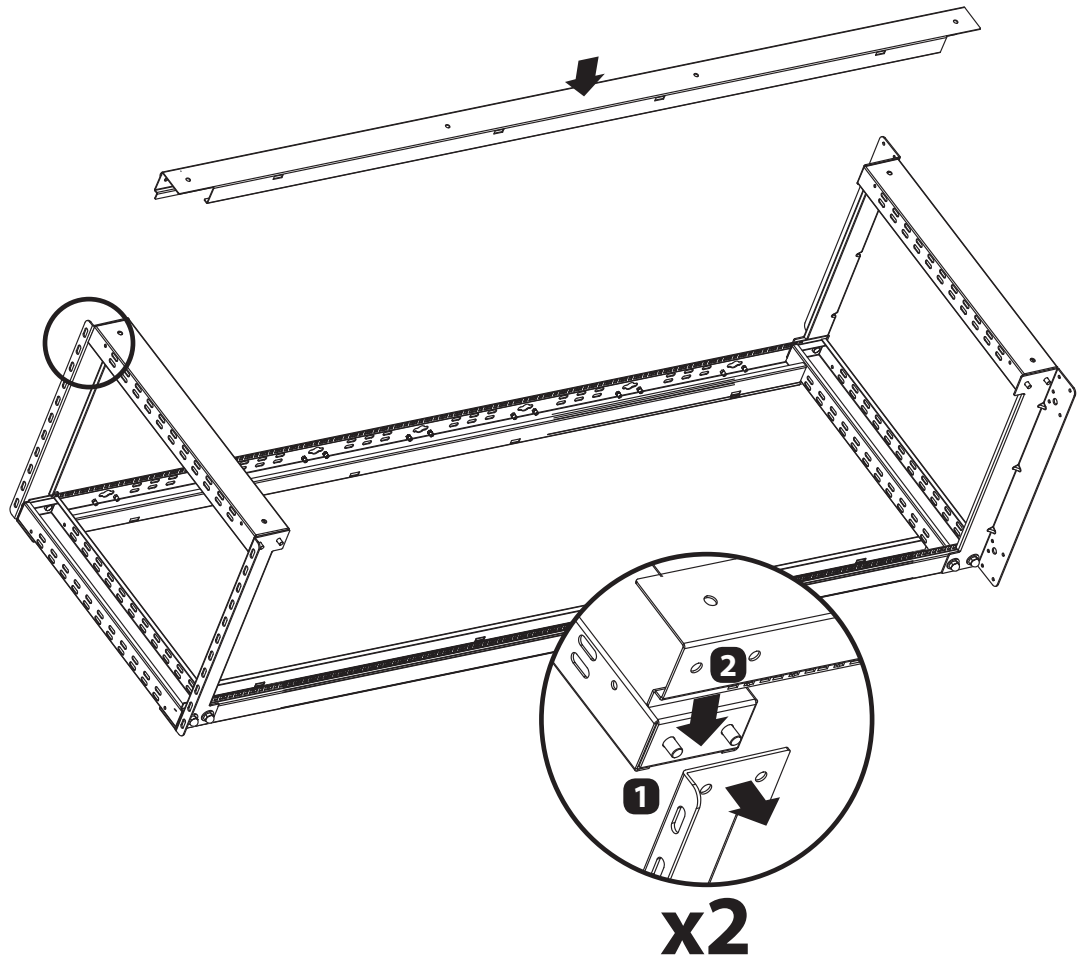
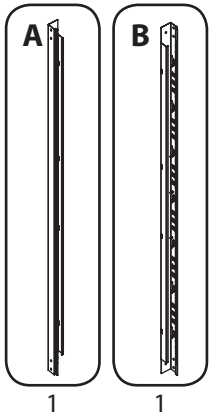
2



step

5

Lay rear upright on the unit. Pull apart the base flange and horizontal beam **1**. Align the holes at the end of the upright with the studs in the horizontal beam and push the upright onto the beam **2**. Push the base flange and horizontal beam back together.

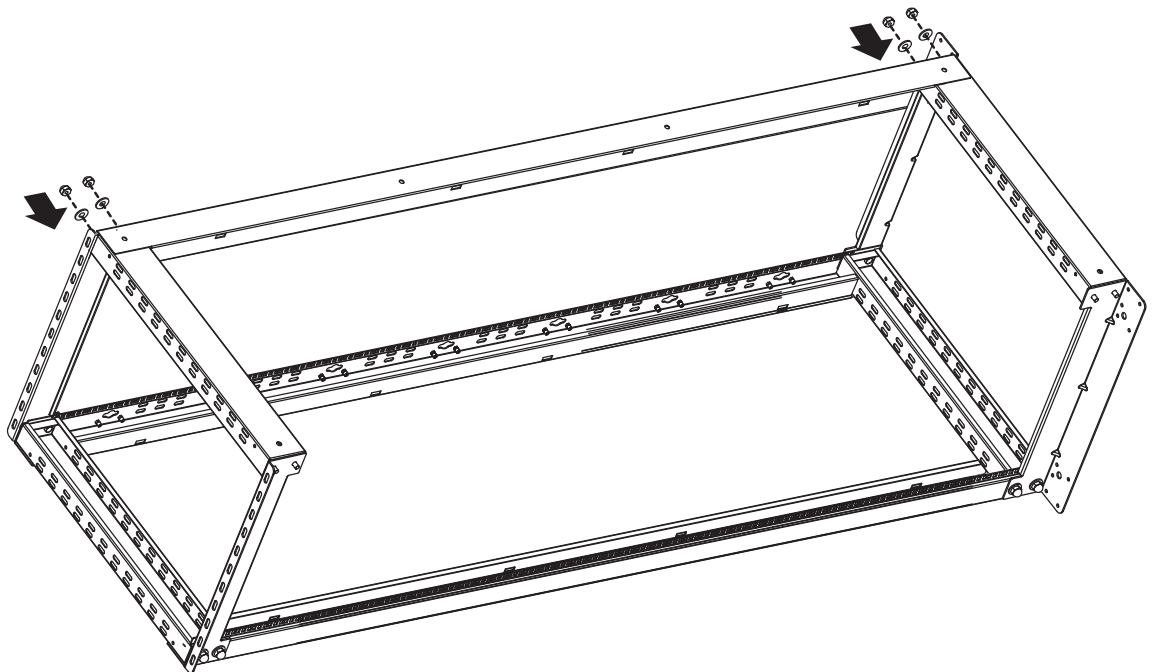
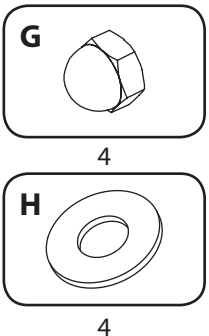


Repeat this process for the other end of the upright.

step

6

Attach the washers and acorn nuts, but leave them loose.

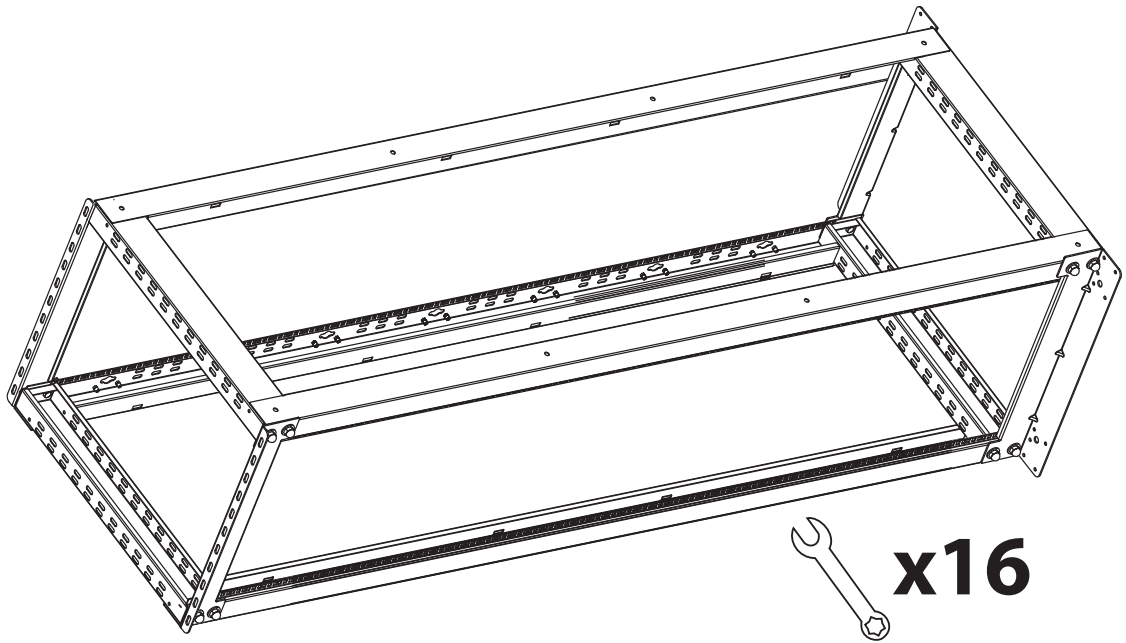


Repeat steps 5 & 6 to attach front upright.

step

7

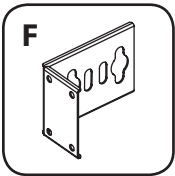
Using an open end wrench (user-supplied), tighten all acorn nuts firmly. Place the rack upright on a level surface and confirm it's stable.



step

8

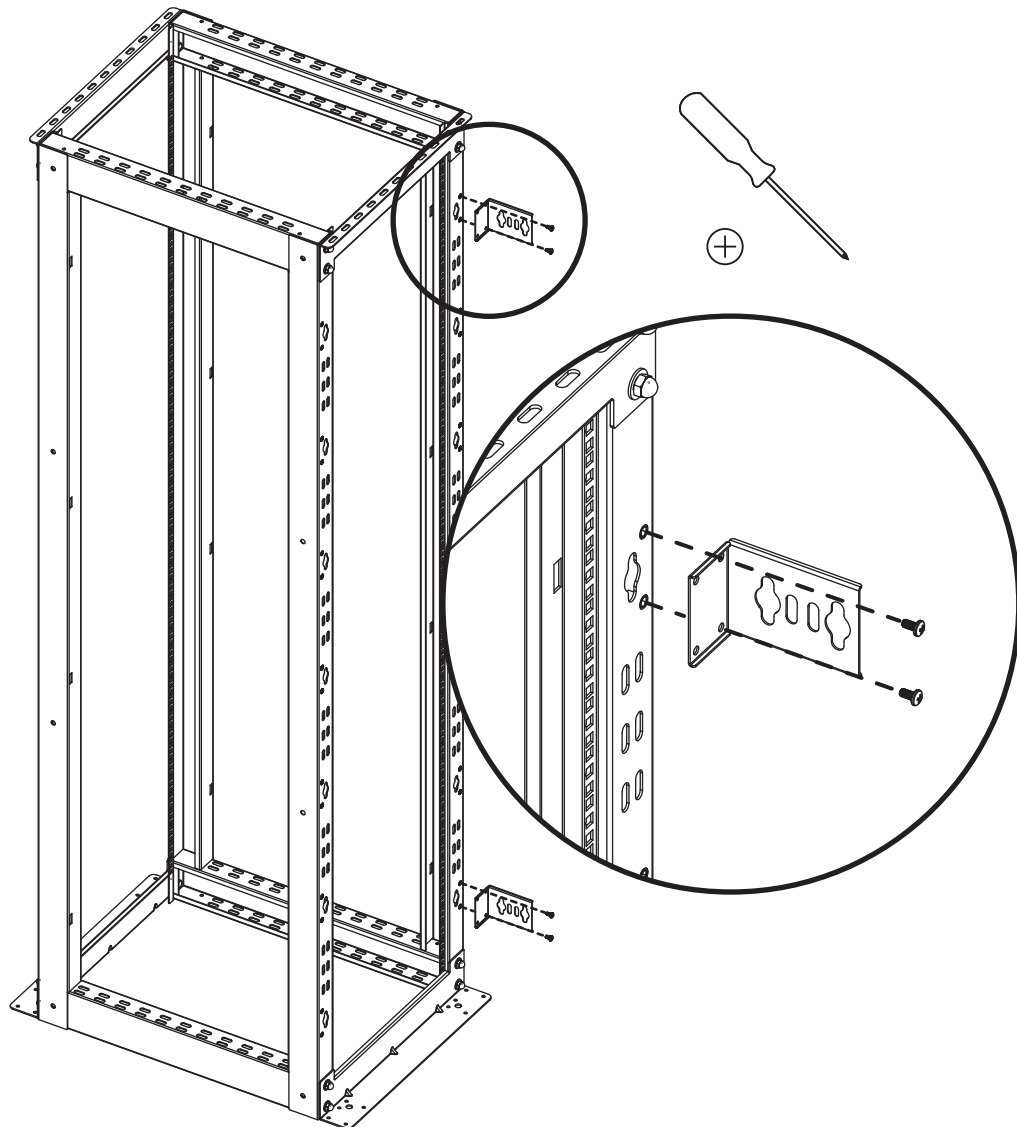
(Optional)
Attach PDU
Brackets



2



4



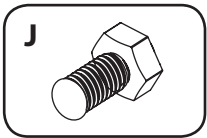
step

9

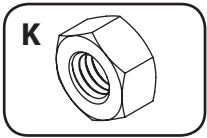
(Optional)
Attach Casters

Warning: Do not attempt to install casters while equipment is installed in the rack.

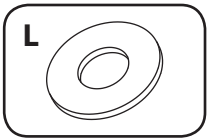
Note:
Installation requires Tripp Lite's Heavy-Duty Rolling Caster Kit (model SRCASTER, sold separately)



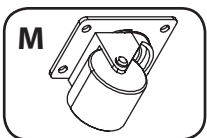
16



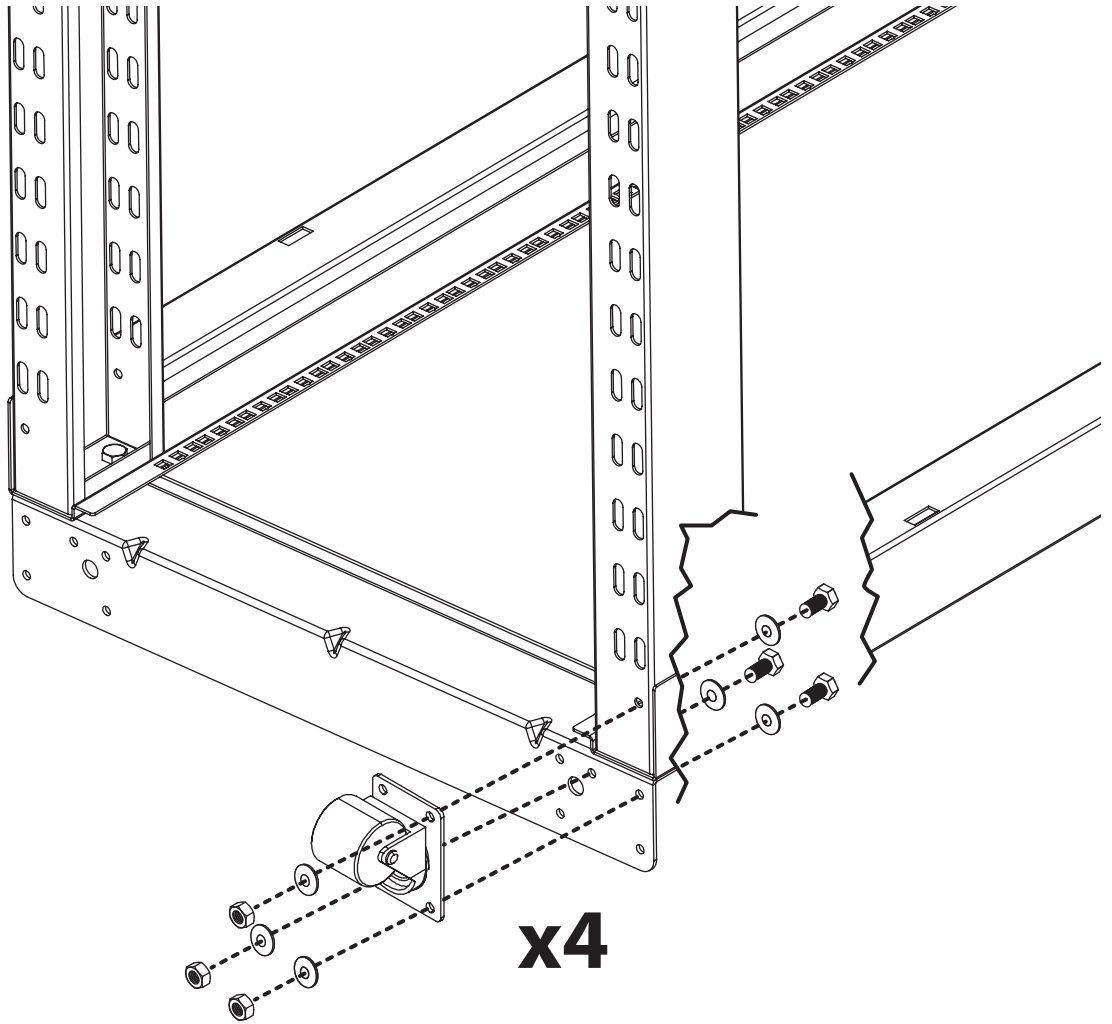
16



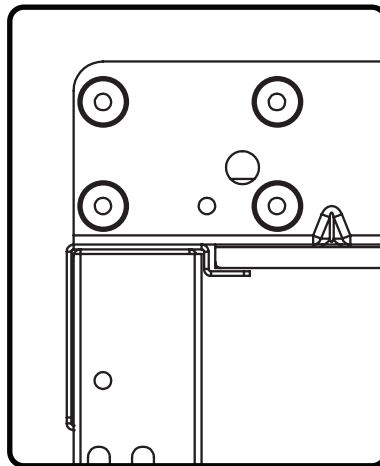
32



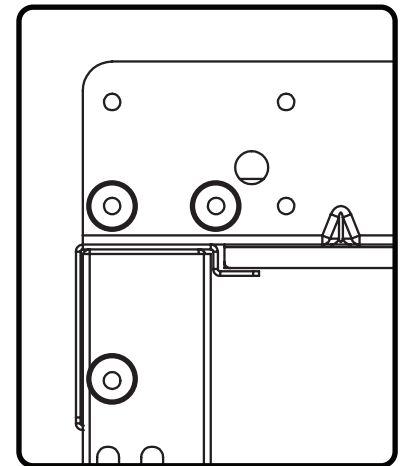
4



Configuration 1



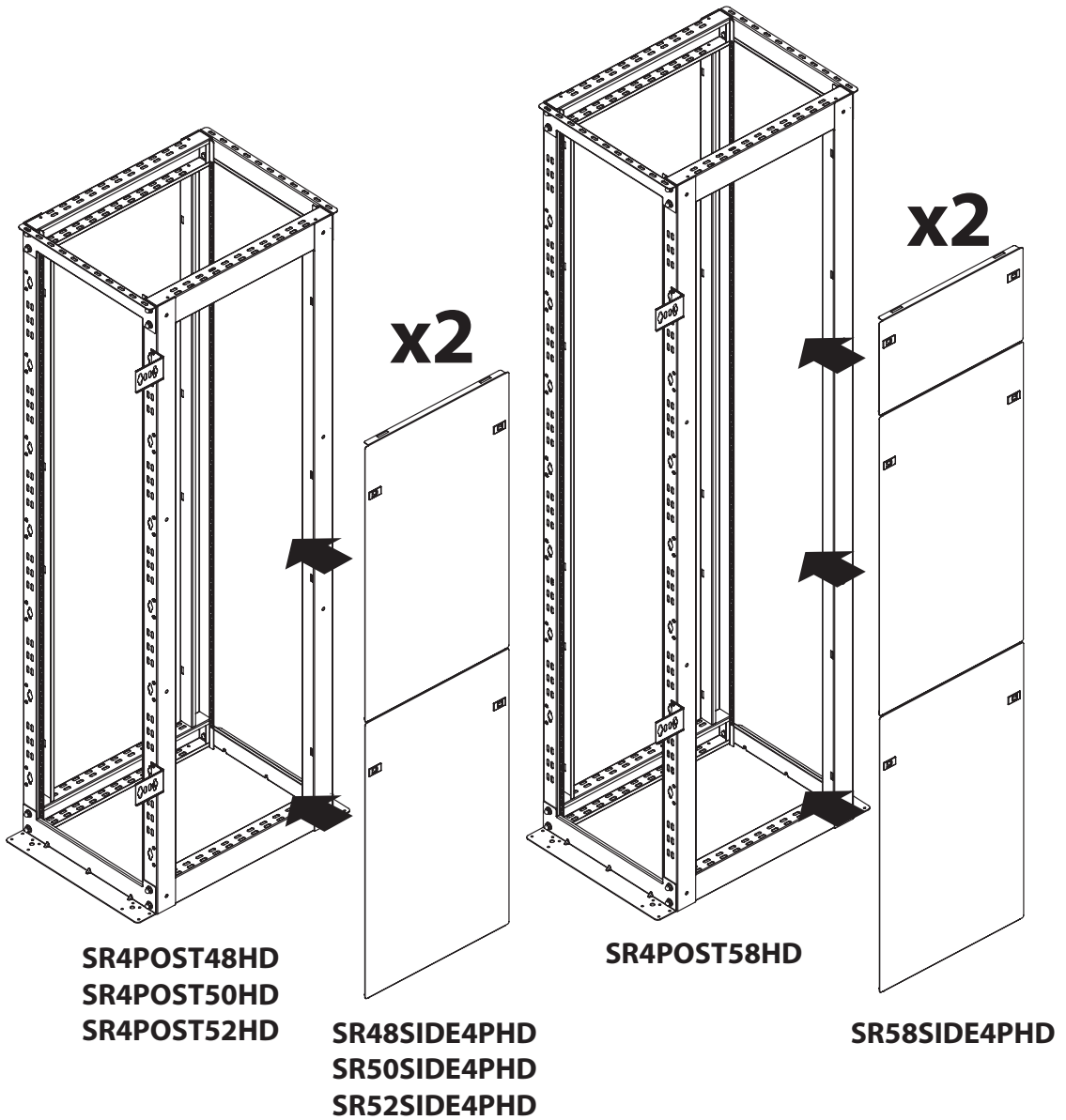
Configuration 2



step

10

(Optional)
Attach Side Panels
(sold separately)



Warranty and Product Registration

5-Year Limited Warranty

Seller warrants this product, if used in accordance with all applicable instructions, to be free from original defects in material and workmanship for a period of 5 years from the date of initial purchase. If the product should prove defective in material or workmanship within that period, Seller will repair or replace the product, in its sole discretion.

THIS WARRANTY DOES NOT APPLY TO NORMAL WEAR OR TO DAMAGE RESULTING FROM ACCIDENT, MISUSE, ABUSE OR NEGLIGENCE. SELLER MAKES NO EXPRESS WARRANTIES OTHER THAN THE WARRANTY EXPRESSLY SET FORTH HEREIN. EXCEPT TO THE EXTENT PROHIBITED BY APPLICABLE LAW, ALL IMPLIED WARRANTIES, INCLUDING ALL WARRANTIES OF MERCHANTABILITY OR FITNESS, ARE LIMITED IN DURATION TO THE WARRANTY PERIOD SET FORTH ABOVE; AND THIS WARRANTY EXPRESSLY EXCLUDES ALL INCIDENTAL AND CONSEQUENTIAL DAMAGES. (Some states do not allow limitations on how long an implied warranty lasts, and some states do not allow the exclusion or limitation of incidental or consequential damages, so the above limitations or exclusions may not apply to you. This warranty gives you specific legal rights, and you may have other rights which vary from jurisdiction to jurisdiction).

WARNING: The individual user should take care to determine prior to use whether this device is suitable, adequate or safe for the use intended. Since individual applications are subject to great variation, the manufacturer makes no representation or warranty as to the suitability or fitness of these devices for any specific application.

Product Registration

Visit www.tripplite.com/warranty today to register your new Tripp Lite product. You'll be automatically entered into a drawing for a chance to win a FREE Tripp Lite product!*

* No purchase necessary. Void where prohibited. Some restrictions apply. See Web site for details.

Tripp Lite follows a policy of continuous improvement. Product specifications are subject to change without notice.



1111 West 35th Street, Chicago, IL 60609 USA • www.tripplite.com/support