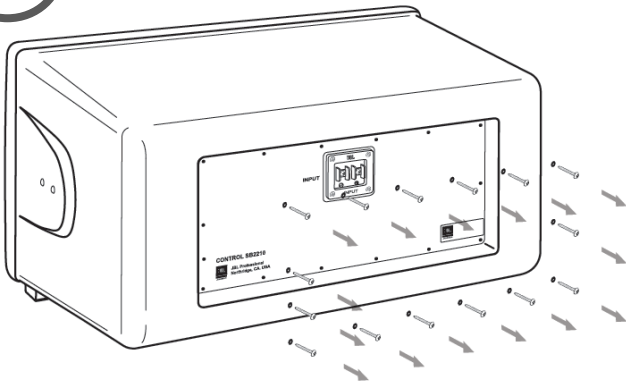




# MTC-SBT300

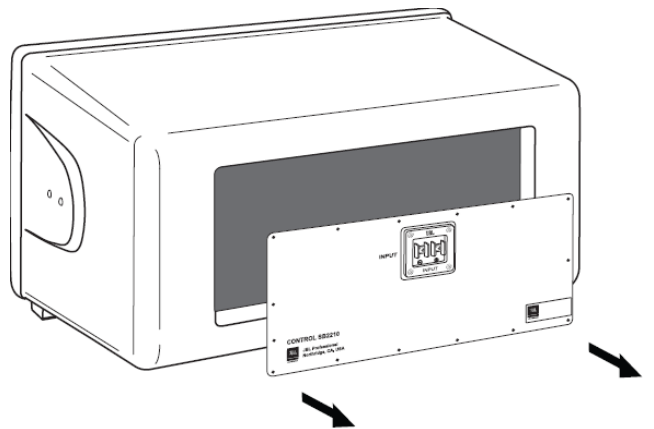
## Installation Instructions

1



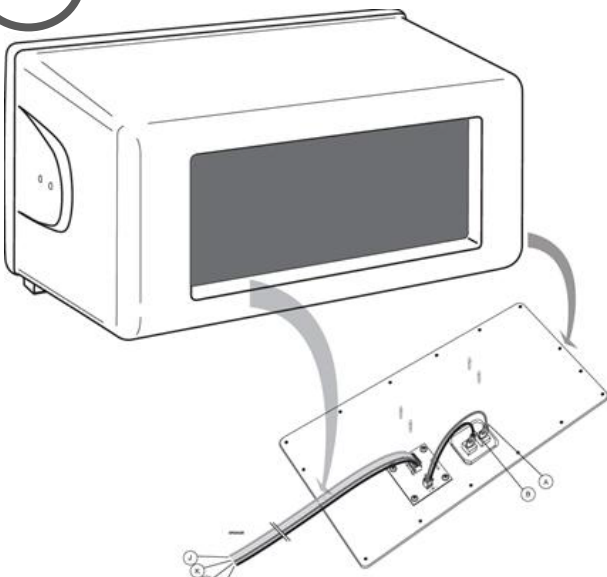
Remove screws from back plate of Control SB2210 cabinet. Keep all parts for re-assembly.

2



Remove back plate from enclosure

3



Place back plate on flat surface face down

### WIRE LABELLING IN DIAGRAMS

#### ORIGINAL WIRES (Being Removed)

- A – RED
- B – BLACK

#### TRANSFORMER SECONDARY (Output to Speakers)

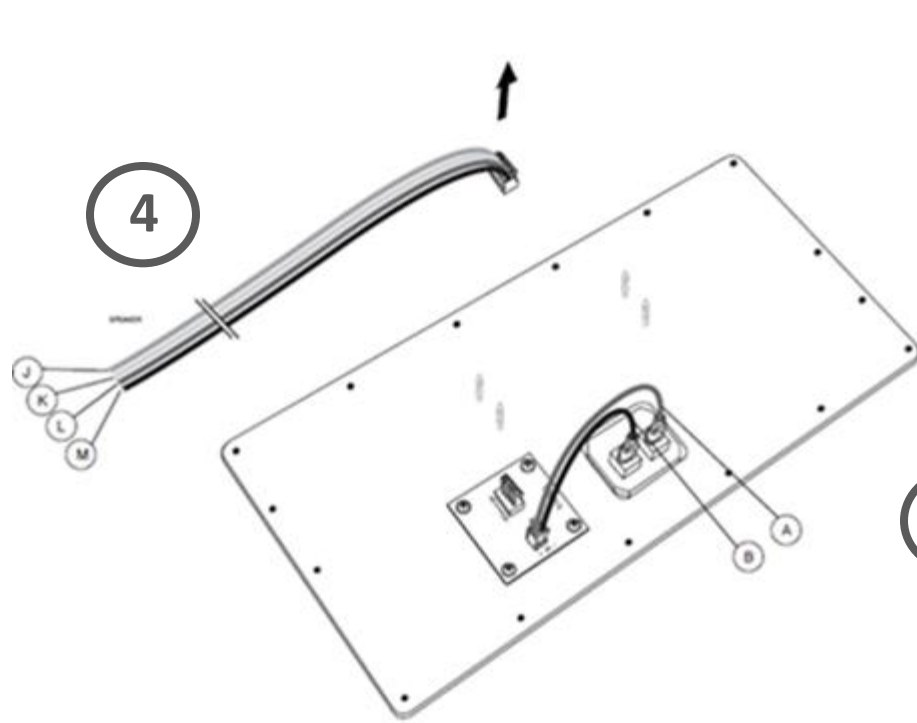
- C – YELLOW      “+” Output
- D – GREEN        “-” Output

#### TRANSFORMER PRIMARY (From Input Terminals)

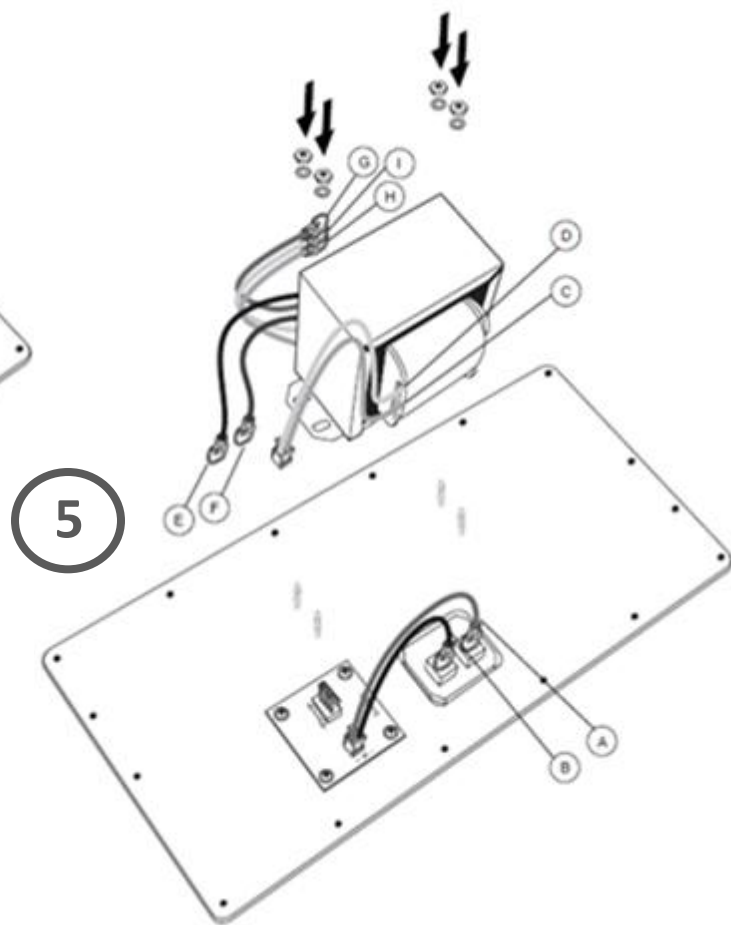
- E – BLACK        Common
- F – RED            Use for 300W@70V, N/C@100V
- G – BLUE         Use for 150W@70V, 300W@100V
- H – YELLOW      Use for 75W@70V, 150W@100V
- I – ORANGE        Use for 37W@70V, 75W@100V

#### MULTI-CABLE TO SPEAKER DRIVERS

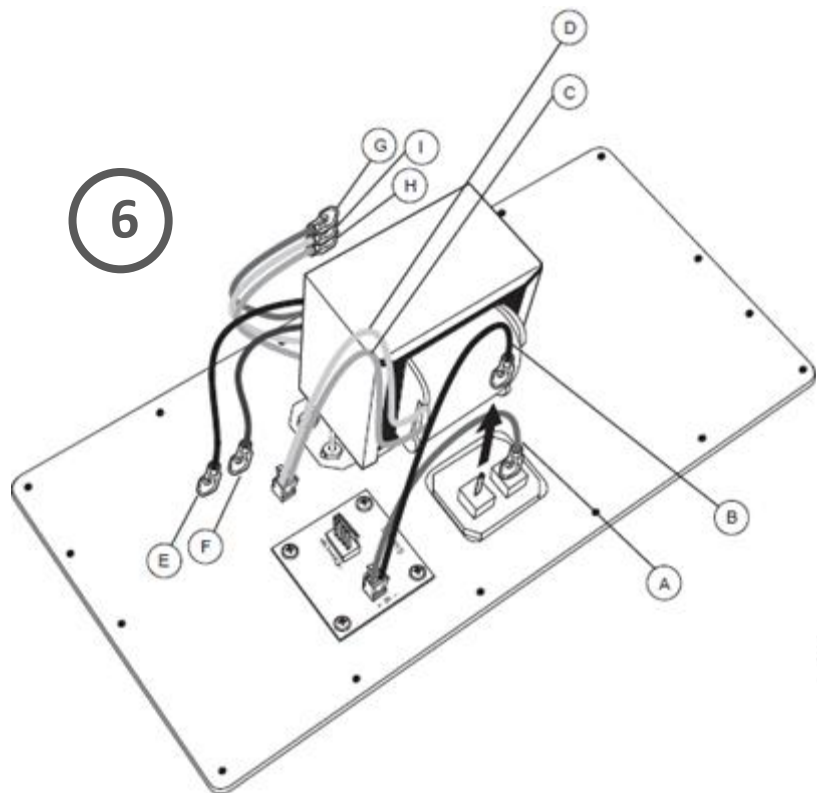
- J – GREEN
- K – WHITE
- L – RED
- M – BLACK



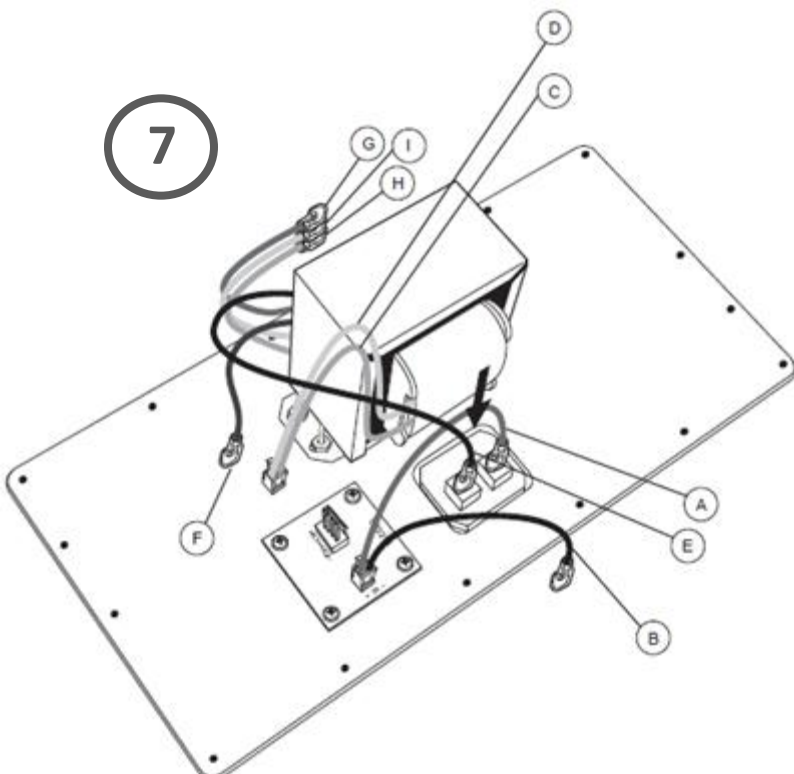
Unplug multi-pin connector from PC board as shown above.



Mount transformer on posts, attach with included star washers and nuts and tighten.

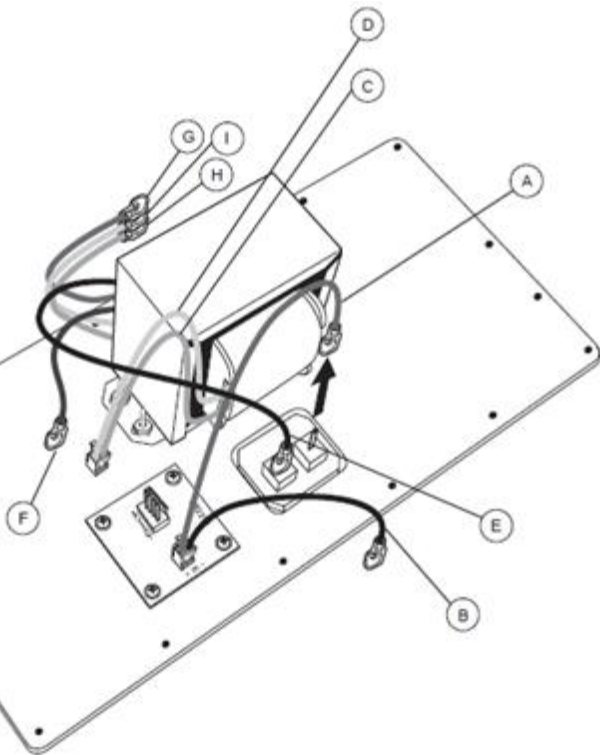


Remove black wire (B) from input PC board as shown in above drawing.



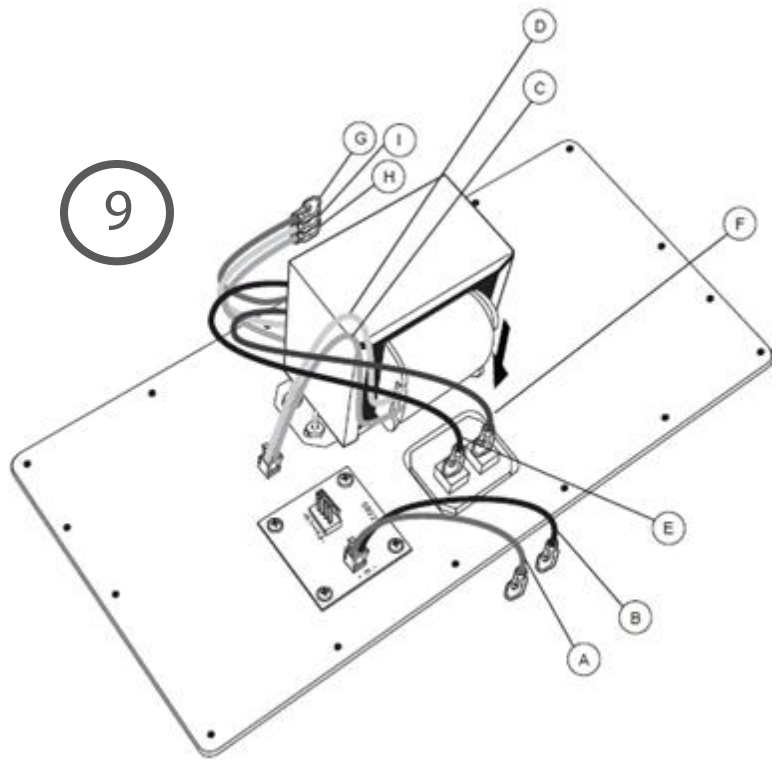
Connect black wire (E - common) from transformer to the open former location of black wire (B) as in above drawing.

8



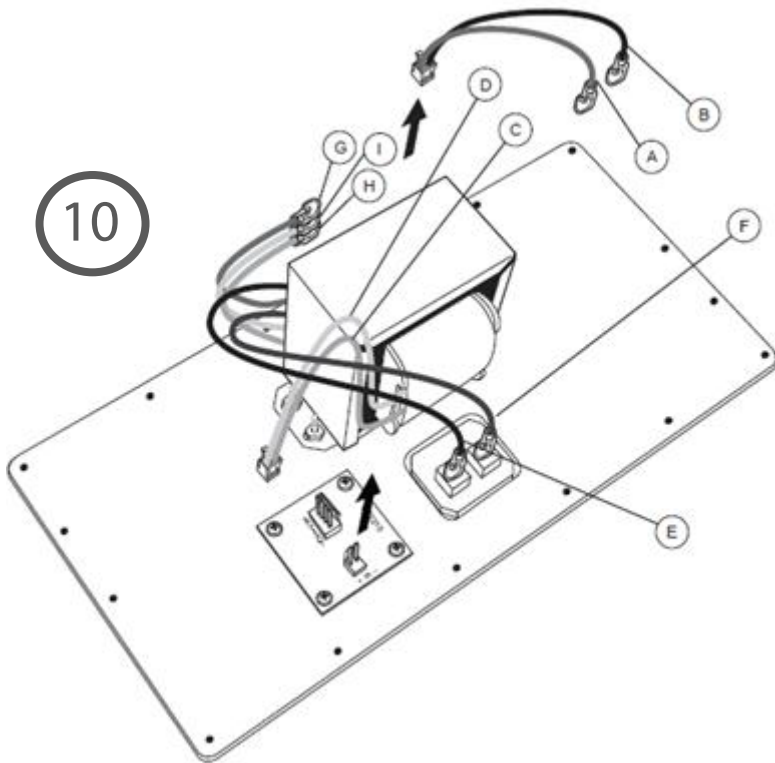
Remove red wire (A) from input PC board as shown in above drawing.

9



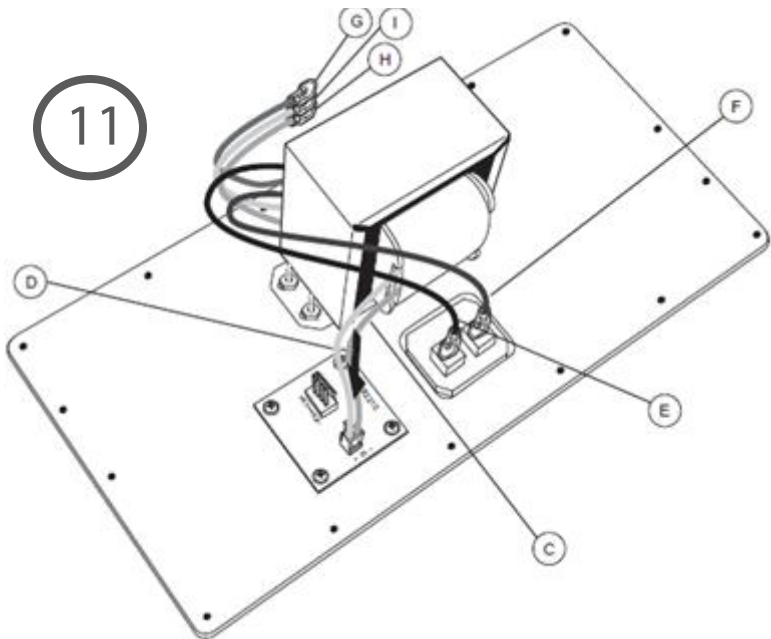
Place wire from transformer primary (F, G, H, or I) that corresponds to the desired wattage needed to tap (see chart of values on page 1) to the now open former location of the red wire (A). \*\*Please note above example shows red wire (F) connected to input PC board which is the 300W tap for 70V use.

10

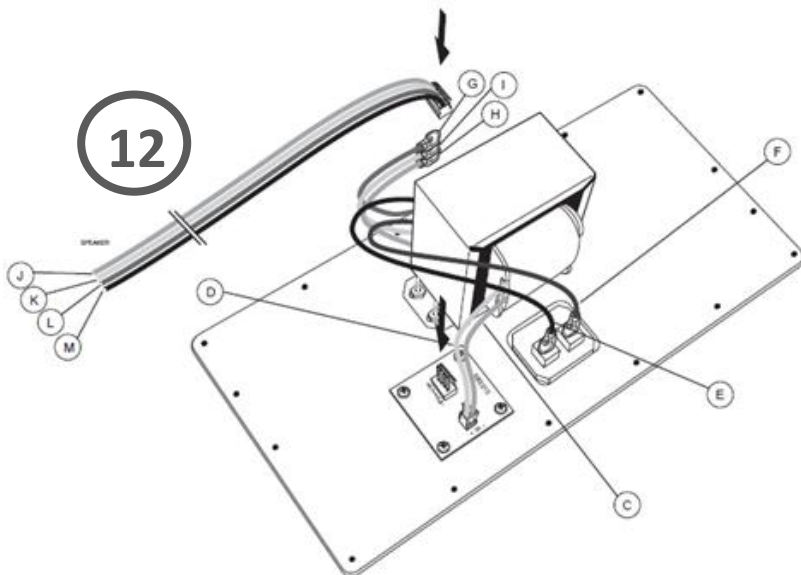


Unplug connector attached to the end of the red wire (A) and black wire (B) from the PC board and set aside. This cable connection is no longer needed for use with the transformer.

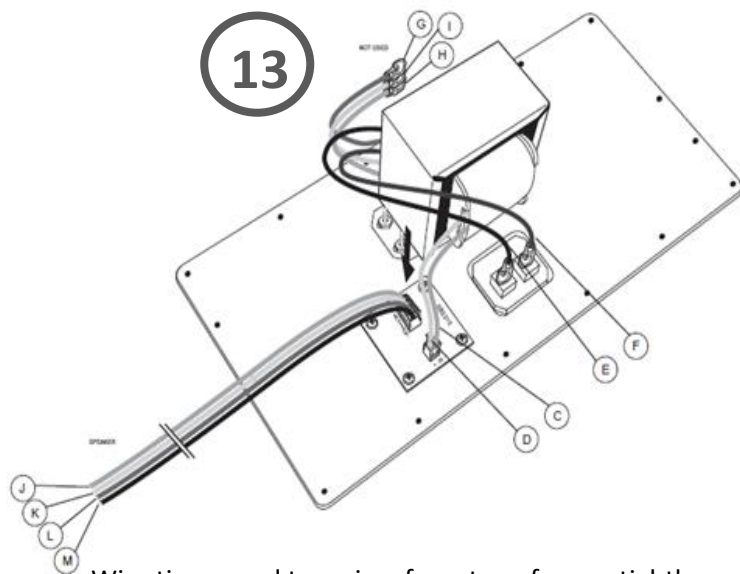
11



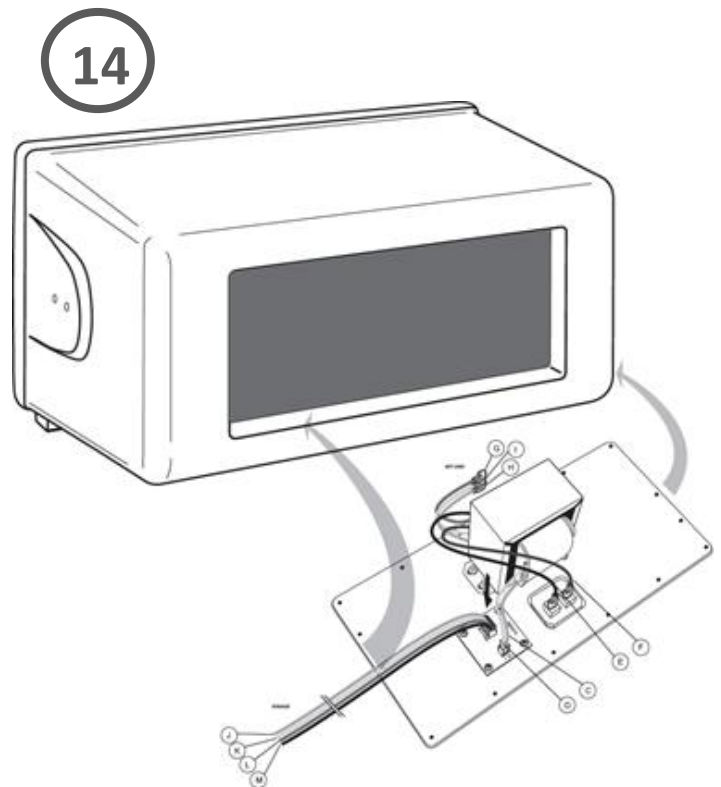
Attach yellow wire (D) and green wire (C) to the now open former location of the connector from the red wire (A) and black wire (B). This is the location for the positive "+" and negative "-" wires from the transformer secondary.



Reattach large multi-pin connector from the (2) woofers to the PC board as shown in above drawing.



Wire tie unused tap wires from transformer tightly so Conductive parts cannot contact each other or other parts and so that they can't rattle with vibration.



Replace back panel onto back of enclosure and tighten down plate firmly with original screws.

## WIRE LABELLING IN DIAGRAMS

### ORIGINAL WIRES (Being Removed)

- A – RED
- B – BLACK

### TRANSFORMER SECONDARY (Output to Speakers)

- C – GREEN        "+" Output
- D – YELLOW      "-" Output

### TRANSFORMER PRIMARY (From Input Terminals)

- E – BLACK        Common
- F – BLUE         Use for 300W@70V, N/C@100V
- G – RED          Use for 150W@70V, 300W@100V
- H – YELLOW      Use for 75W@70V, 150W@100V
- I – ORANGE       Use for 37W@70V, 75W@100V

### MULTI-CABLE TO SPEAKER DRIVERS

- J – GREEN
- K – WHITE
- L – RED
- M – BLACK