

# Owner's Manual

## Tablet Charge and Sync Cart

32-Port Models: CSC32USB (CSC32USBW)

### Table of Contents

|   |          |   |           |
|---|----------|---|-----------|
| <b>1. Important Safety Instructions</b>                     | <b>2</b> | <b>6. Wall Installation</b>                 | <b>6</b>  |
| <b>2. Overview</b>  | <b>2</b> | 6.1 Removing Casters and Handle             | 6         |
| <b>3. Feature Identification</b>                            | <b>3</b> | 6.2 Wall-Mounting the Charging Station      | 6         |
| <b>4. Setup</b>   | <b>4</b> | <b>7. Specifications</b>                    | <b>7</b>  |
| 4.1 Installing the Handle Bracket<br>and Power Cord Manager | 4        | <b>8. Storage, Service and Cleaning</b>     | <b>7</b>  |
| 4.2 Adjusting Storage Shelf Dividers                        | 4        | <b>9. Warranty and Product Registration</b> | <b>8</b>  |
| 4.3 Powering the USB Charger/Hub Unit                       | 4        | <b>Español</b>                              | <b>9</b>  |
| 4.4 Door Locks  | 4        | <b>Français</b>                             | <b>17</b> |
| <b>5. 32-Port USB Charger/Hub</b>                           | <b>5</b> |   |           |
| 5.1 USB Charger/Hub Features                                | 5        |   |           |
| 5.2 Connecting Devices to the<br>USB Charger/Hub            | 5        |   |           |
| 5.3 Connecting a Computer to the<br>USB Charger/Hub         | 5        |   |           |

### PROTECT YOUR INVESTMENT!

Register your product for quicker service and ultimate peace of mind.

You could also win an ISOBAR6ULTRA surge protector—a \$100 value!

[www.tripplite.com/warranty](http://www.tripplite.com/warranty)



1111 W. 35th Street, Chicago, IL 60609 USA • [www.tripplite.com/support](http://www.tripplite.com/support)

Copyright © 2016 Tripp Lite. All trademarks are the sole property of their respective owners.

# 1. Important Safety Instructions



## SAVE THESE INSTRUCTIONS

This manual contains instructions and warnings that must be followed during the installation and operation of the product described in this manual. Failure to comply may invalidate the warranty and cause property damage or personal injury.

### USB Charger/Hub Unit:

- To remove the USB Charger/Hub from the supply mains, the power cord serves as a disconnect device.
- If any of the following situations arise, schedule an appointment with a service technician to have your equipment inspected:
  - The equipment has been exposed to moisture
  - The equipment has been dropped and damaged
  - The equipment shows obvious signs of breakage
  - The equipment is not functioning properly or is not functioning according to the instructions described in this Owner's Manual
- Use of this equipment in life support applications where failure of this equipment can reasonably be expected to cause the failure of the life support equipment or to significantly affect its safety or effectiveness is not recommended.

### Charging Station Cabinet:

- Keep the charging station in a controlled indoor environment away from moisture, temperature extremes, flammable liquids and gasses, conductive contaminants, dust and direct sunlight.
- Leave adequate space around the charging station for proper ventilation. Do not block, cover or insert objects into the charging station's external ventilation openings.
- The charging station is extremely heavy. Use caution when handling the charging station. Do not attempt to unpack or mount it unassisted. Use a mechanical device such as a forklift or pallet jack to move the charging station in the shipping container.
- Do not place containers of liquid or stack items on the cabinet.
- Inspect the shipping container and the charging station for shipping damage. Do not use the charging station if it is damaged.
- Use caution when cutting packing materials. The charging station could be scratched, causing damage not covered by the warranty.
- Save all packing materials for later use. Repacking and shipping the charging station cabinet or equipment without the original packing materials may cause product damage that will void the warranty.

### For Mobile Applications:

- The charging station comes with four pre-installed locking/swivel casters.
- Always use the included handle when moving the charging station (see **section 4.1 Installing the Handle Bracket and Power Cord Manager** for more information).
- When moving the charging station cabinet, always push it from behind; never pull it toward you.
- A rolling charging station can cause personal injury and property damage if not properly supervised. If rolling the charging station down a ramp is required, use extreme caution. Do not attempt to use ramps that have a slope grade greater than 12%.

### For Wall-Mount Installations:

- Casters ship pre-installed with the charging station. Remove the casters and handle before attempting to mount the charging station to a wall (see **section 6.1 Removing Casters and Handle** for more information).
- Before mounting, first make sure that the wall surface can safely support the combined load of the charging station, equipment stored and all attached hardware and components.
- Always use suitable mounting means when installing to cinder block, concrete, drywall or wood studs.

# 2. Overview

Your charging station is an all-in-one solution for storing and charging for up to 32 devices. With four pre-installed locking/swivel casters and an attachable, reversible handle accessory, your charging station is ideal for mobile applications. Your charging station can also be conveniently mounted to walls, as well as configured for stationary desktop or floor placement. To prevent theft and device tampering, your charging station enclosure comes equipped with locking steel doors.

### 3. Feature Identification

#### CSC32USB(W)

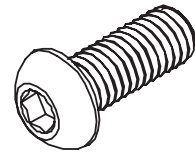
- 1** Locking Split Doors
- 2** Adjustable Storage Shelves (hold up to 16 Devices per Shelf)
- 3** Blanking Panels (Removable)
- 4** Reversible Handle
- 5** Swivel/Locking Casters
- 6** Power Cord Manager
- 7** Power Cord Access Holes (1 Located on Each Side)
- 8** Padlock Hasp (User Supplies Lock)
- 9** Cable Lock Routing Holes (User Supplies Lock)
- 10** Side Panel with Keyhole Wall Mount Slots  
(See Section 6 for More Information)

**Not Shown:**

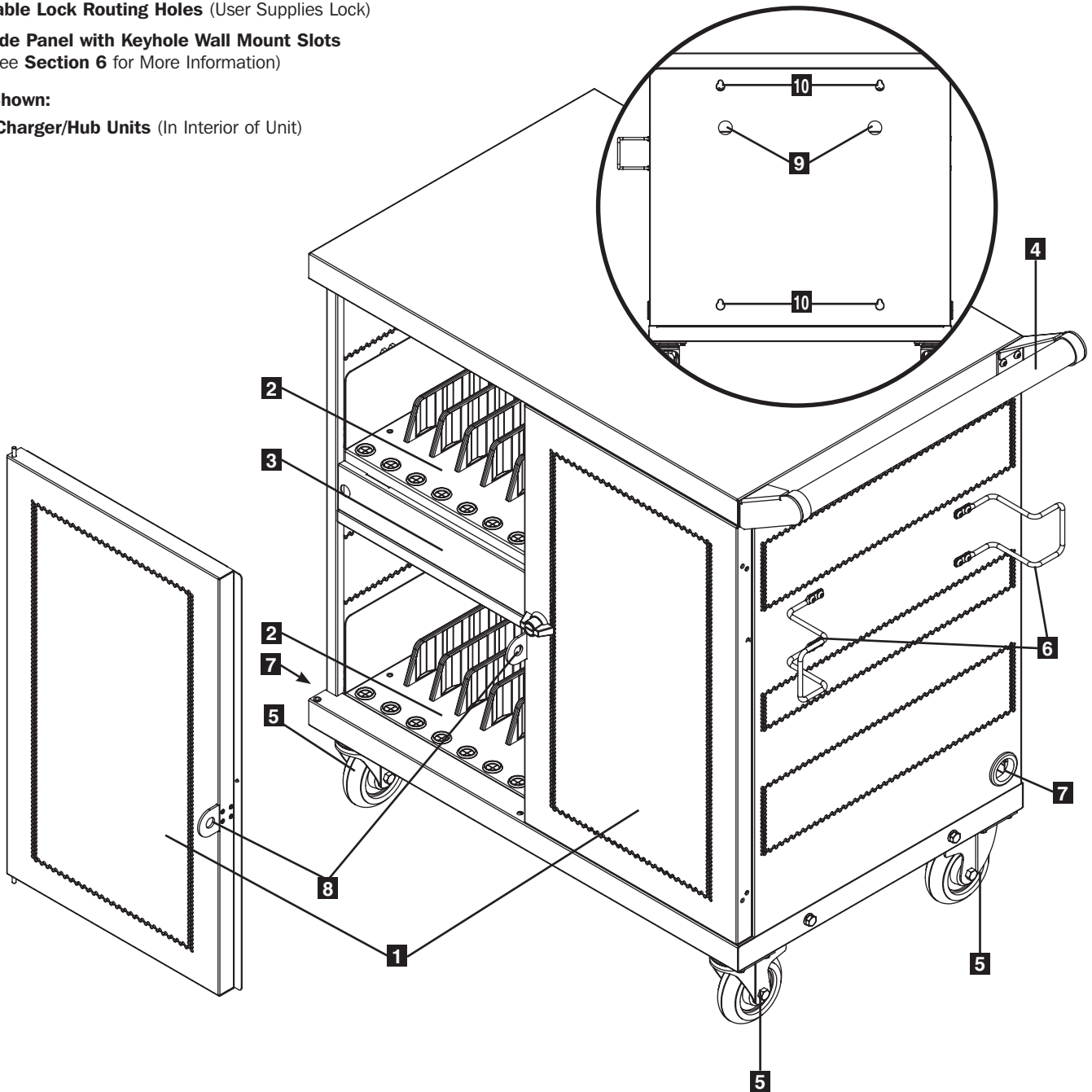
**USB Charger/Hub Units** (In Interior of Unit)

#### Included Accessory Hardware

12 x Hex Screws



Hex Key



## 4. Setup



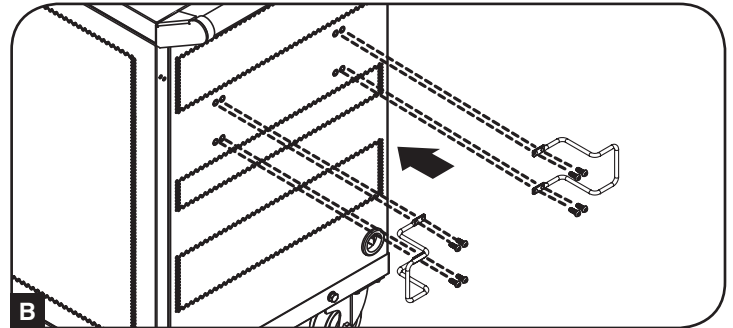
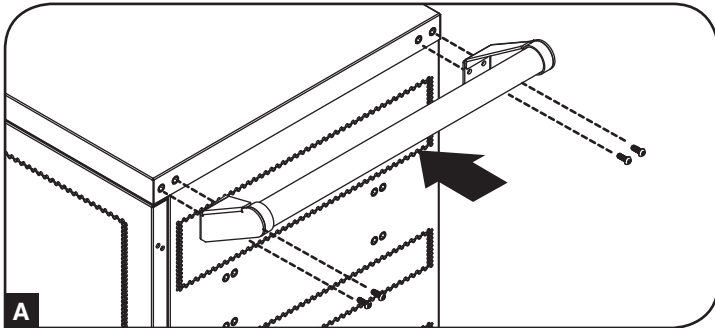
**Caution! Read All Instructions and Warnings Before Installation!**



**Warning: Charging stations can be extremely heavy. Do not attempt to unpack or mount the charging station without assistance. Follow the unpacking instructions document that shipped with this product before proceeding with setup. Use extreme caution when handling the charging station and be sure to follow all handling and installation instructions. Do not attempt to install equipment without first stabilizing the charging station.**

### 4.1 Installing the Handle Bracket and Power Cord Manager

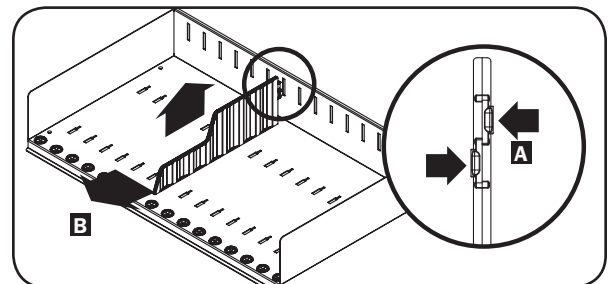
To install the handle bracket, use the included hex key tool to attach four (4) hex screws to the charging station cabinet **A**. To install the cord manager, use the same hex key tool to secure the eight hex screws that attach the cord manager brackets (four per bracket) to the charging station cabinet **B**.



### 4.2 Adjusting Storage Shelf Dividers

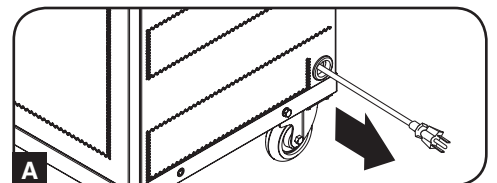
Your charging station comes with two storage shelves with adjustable dividers that can each accommodate up to 16 personal electronic devices per shelf.

Remove any personal electronic devices stored on the shelf tray. Then remove the blanking panel. To remove the shelf tray from the cabinet, push the shelf tray forward to disengage from the mounting hook, then pull the tray up and out. Once the shelf is removed, remove or rearrange the dividers by pushing in the two tabs securing the divider to the rear end **A**, then push the divider forward to disengage from the shelf tray **B**. Repeat as necessary for additional shelf dividers.



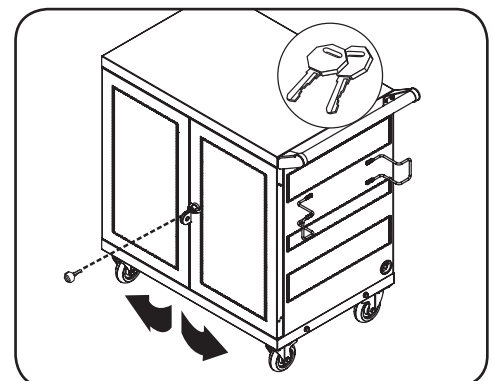
### 4.3 Powering the USB Charger/Hub Unit

With the bottom blanking panel removed, find the USB Charger/Hub unit's input plug and cable located in the charging station's bottom compartment, then push the input plug through one of the cable access hole grommets located on either side of the charging station cabinet **A** (using the cable access hole on the same side as the power cord manager is recommended). Plug the power cord into the nearest 3-prong, grounded wall outlet and reattach the blanking panel to the unit.



### 4.4 Door Locks

The split doors contain a lock that is accessible with the included keys.



## 5. 32-Port USB Charger/Hub

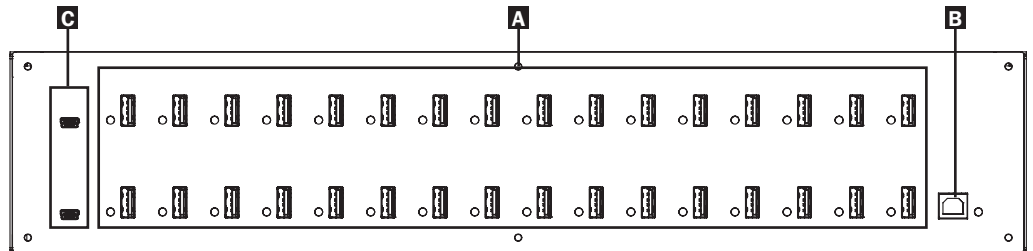
### 5.1 USB Charger/Hub Features

- Professional-grade USB charger/hub charges and syncs up to 32 USB devices, including iPads®, iPods® and iPhones® as well as Android™ tablets and smartphones.
- Provides each USB port with an optimum charge level for a particular device (up to 2.4 amps).
- Allows syncing to be performed with any device designed for USB data communications, per compatible file management software.
- Syncs Apple® devices via iTunes® software or Apple Configurator.
- Mini-USB Firmware Upgrade Port enables future software upgrades to support newer devices.
- 1U, rack-mountable housing can be configured for professional, educational or personal installations.
- IEC C14 inlet makes power connections easy, using the dedicated region power supply cords (included).

**A** 2.4A USB Device Ports with LED Indicator Lights (32 total)

**B** Computer Sync Port

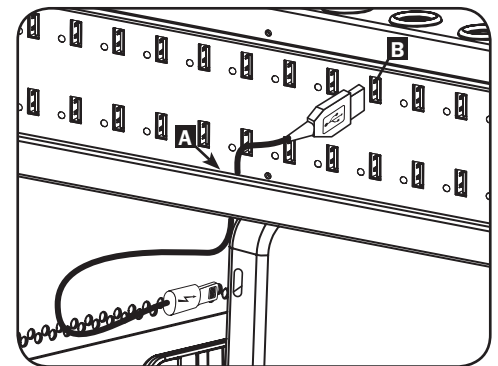
**C** Firmware Upgrade Ports



### 5.2 Connecting Devices to the USB Charger/Hub

Each storage shelf features 16 strain relief bushings that prevent the USB cable's device connectors from slipping through the bushing **A**. Using a user-supplied or device manufacturer's shielded USB cable, connect the USB cable to the device to be charged. Then pass the cable end through the strain relief bushing on the storage shelf and connect the USB connector into a USB charging port **B**. Repeat for all devices.

Tripp Lite offers individual and 10-pack cables for Apple® devices using USB to 30-Pin or USB to Lightning™ cables, as well as individual and 10-pack cables for USB 3.0 or 2.0 devices using USB A (male) to 5-Pin Micro B (male) cables.



| Cable Type  | Individual Cable Model Number | 10-Pack Cable Model Number |
|---|-------------------------------|----------------------------|
| Apple USB to 30-Pin Connector, 10 in.                       | M110-10N-BK                   | M110-10N-BK-10             |
| Apple USB to 30-Pin Connector, 3 ft.                        | M110-003-WH                   | —                          |
| Apple USB to 8-Pin Lightning Connector, 10 in.              | M100-10N-BK                   | M100-10N-BK-10             |
| Apple USB to 8-Pin Lightning Connector, 3 ft.               | M100-003-BK<br>M100-003-WH    | —                          |
| Apple USB to 8-Pin Lightning Connector, 6 ft.               | M100-006-BK<br>M100-006-WH    | —                          |
| Apple USB to 8-Pin Lightning Connector, 10 ft.              | M100-010-BK<br>M100-010-WH    | —                          |
| USB 3.0 SuperSpeed A (Male) to 5-Pin Micro-B (Male), 1 ft.  | U326-001-BK                   | U326-001-BK-10             |
| USB 3.0 SuperSpeed A (Male) to 5-Pin Micro-B (Male), 3 ft.  | U326-003<br>U326-003-BK       | —                          |
| USB 3.0 SuperSpeed A (Male) to 5-Pin Micro-B (Male), 10 ft. | U326-010                      | —                          |
| USB 2.0 Reversible A (Male) to 5-Pin Micro-B (Male), 1 ft.  | UR050-001*                    | UR050-001-10*              |
| USB 2.0 Reversible A (Male) to 5-Pin Micro-B (Male), 3 ft.  | UR050-003*<br>UR050-003-WH*   | —                          |
| USB 2.0 Reversible A (Male) to 5-Pin Micro-B (Male), 6 ft.  | UR050-006*<br>UR050-006-SLIM* | —                          |
| USB 2.0 Reversible A (Male) to 5-Pin Micro-B (Male), 10 ft. | UR050-010*                    | —                          |

\* Features a reversible USB A (male) connector for simplified installations.

Visit [www.tripp-lite.com](http://www.tripp-lite.com) for more information on our selection of premium USB cables.

### 5.3 Connecting a Computer to the USB Charger/Hub

In addition to device charging, the USB Charger/Hub is equipped with a hub function that syncs devices and their respective software applications via a connected computer. To enable the hub function, use the included USB cable to connect the USB B connector into unit's Computer Sync Port and the USB A connector into a computer's USB port.

**Note:** When a computer connection is established and multiple devices are connected to the USB Charger/Hub, the charge rate will reduce during syncing and resume to the normal charge rate upon completion.

**Note:** The Firmware Upgrade Port requires a mini-USB connection (cable not included).

## 6. Wall Installation

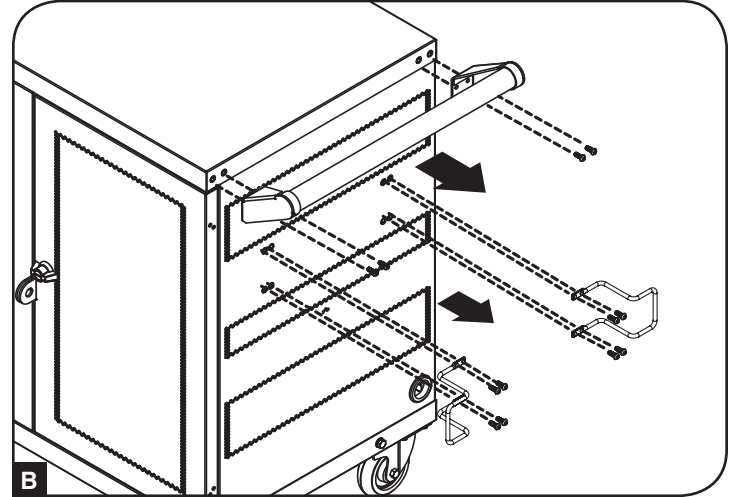
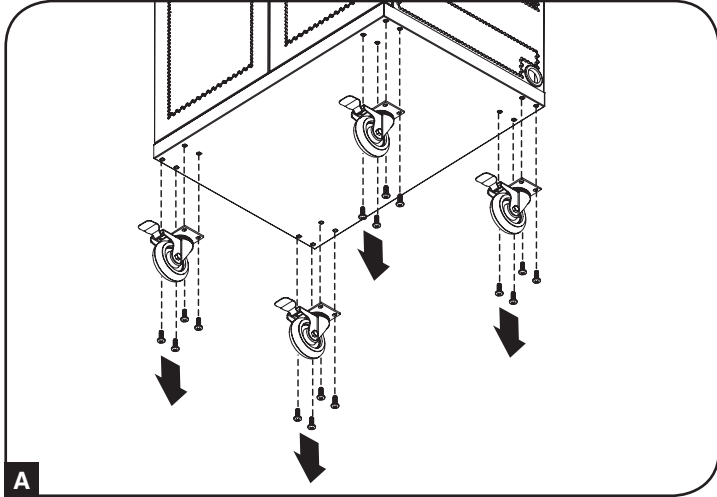
To use your charging station in a wall-mounting installation, first remove the casters and handle.

### 6.1 Removing Casters and Handle

**Warning:** Do not attempt to remove casters from the USB charger/hub with any laptops, tablets or other personal electronic devices inside.

To remove the casters and handle for stationary or wall-mount applications, unscrew the sixteen M6 screws securing the four casters (four per caster) to the enclosure **A**. If the handle and cord manager are attached to the unit per **section 4.1**, remove using the included hex key tool to unscrew the handle's four (4) hex screws and the cord manager's eight (8) hex screws from the charging station cabinet **B**.

**Note:** Save the casters, handle and all hardware for future use.



### 6.2 Wall-Mounting the Charging Station

For wall mounting, you will need:

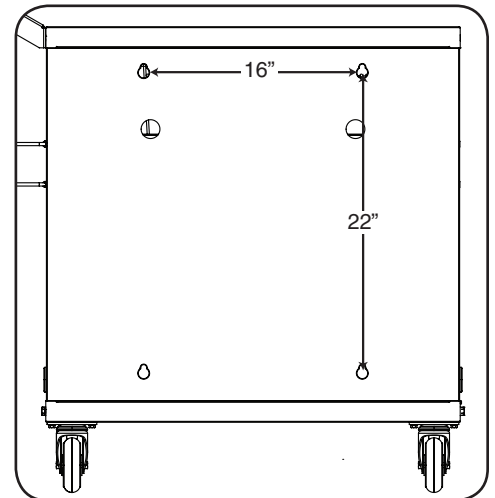
- Level
- Appropriate tools for wall mounting
- Appropriate hardware for wall mounting (not included)

**Warning:** Do not attempt to mount the charging station to the wall with any personal electronic devices inside.

There are 4 keyhole cutouts on the charging station cabinet's side panel. Each keyhole can accommodate an M5 or 3/16" bolt. Each of the keyhole sets are centered 16" apart horizontally and 22" vertically (see the corresponding model diagram for exact keyhole locations).

Using a level, measure to position your mounting areas precisely. Use appropriate fasteners (not included) to secure the charging station to the wall. Once the charging station is safely hanging on the fasteners and secured to the wall, open the unit from the rear door and tighten all mounting hardware.

**Note:** The charging station must be installed by a qualified technician. Before mounting, use a level and tape measure to position your mounting area precisely. Use appropriate fasteners (not included) to secure the charging station to the wall. Use suitable mounting means when installing to cinder block, concrete, drywall or wood studs. **Warning:** The supporting surface must be able to safely support the combined load of the charging station, equipment stored and all attached hardware and components. Go to the Specifications section for more information on your model's weight and dimensions.



## 7. Specifications

|   |  |
|---|--|
| <b>Model</b>                                | <b>CSC32USB(W)</b>   |
| Dimensions (H x W x D)                      | 36.1 x 34.8 x 20.2 in. / 917 x 884 x 513 mm                                    |
| Unit Weight                                 | 130.7 lb. / 59 kg  |
| Load Capacity*                              | 200 lb. (90 kg) Stationary or Rolling  |
| Charger/Hub Ports                           | 32 x USB 2.0 A (Female)<br>1 x USB 2.0 B (Female)<br>2 x USB 2.0 Mini (Female) |
| Transmission Speed                          | Up to 480 Mbps   |
| Power Requirement                           | Input: 100-240V, 2.5A, 50/60 Hz<br>Output: 5.0V, 2.4A Max (per USB port)       |
| Operating Temperature                       | 32° to 104° F / 0° to 40° C  |
| Operating Humidity                          | 5 to 95% RH, Non-Condensing  |
| Number of Charger/Hub Units                 | 2  |
| Charger/Hub Dimensions per Unit (H x W x D) | 1.75 x 17.5 x 9.5 in. / 45 x 445 x 240 mm                                      |
| Enclosure Material                          | Metal  |

\*Full wall-mount load capacity requires a mounting surface capable of bearing the full load of the charging station and all connected components. Specifications may be subject to change without further notice.

## 8. Storage, Service and Cleaning

### Storage

The enclosure should be stored in a controlled indoor environment away from moisture, temperature extremes, flammable liquids and gasses, conductive contaminants, dust and direct sunlight. Store the enclosure in its original shipping container if possible.

### Service

The enclosure is covered by the limited warranty described in this manual. For more information, visit [www.tripplite.com/support](http://www.tripplite.com/support).

### Cleaning

Before cleaning, always power off the charging station by unplugging it from its AC source. Dampen a clean, lint-free cloth with water and wipe down the unit, as necessary. Allow the surface area to dry before plugging in the unit.

**Note:** Avoid using abrasive cloths, solvents or aerosol sprays to clean the charging station; doing so can damage the unit.

## 9. Warranty and Product Registration

### 2-Year Limited Warranty

Seller warrants this product, if used in accordance with all applicable instructions, to be free from original defects in material and workmanship for a period of 2 years from the date of initial purchase. If the product should prove defective in material or workmanship within that period, Seller will repair or replace the product, at its sole discretion.

THIS WARRANTY DOES NOT APPLY TO NORMAL WEAR OR TO DAMAGE RESULTING FROM ACCIDENT, MISUSE, ABUSE OR NEGLIGENCE. SELLER MAKES NO EXPRESS WARRANTIES OTHER THAN THE WARRANTY EXPRESSLY SET FORTH HEREIN. EXCEPT TO THE EXTENT PROHIBITED BY APPLICABLE LAW, ALL IMPLIED WARRANTIES, INCLUDING ALL WARRANTIES OF MERCHANTABILITY OR FITNESS, ARE LIMITED IN DURATION TO THE WARRANTY PERIOD SET FORTH ABOVE; AND THIS WARRANTY EXPRESSLY EXCLUDES ALL INCIDENTAL AND CONSEQUENTIAL DAMAGES. (Some states do not allow limitations on how long an implied warranty lasts, and some states do not allow the exclusion or limitation of incidental or consequential damages, so the above limitations or exclusions may not apply to you. This warranty gives you specific legal rights, and you may have other rights which vary from jurisdiction to jurisdiction).

WARNING: The individual user should take care to determine prior to use whether this device is suitable, adequate or safe for the use intended. Since individual applications are subject to great variation, the manufacturer makes no representation or warranty as to the suitability or fitness of these devices for any specific application.

### Product Registration

Visit [www.tripplite.com/warranty](http://www.tripplite.com/warranty) today to register your new Tripp Lite product. You'll be automatically entered into a drawing for a chance to win a FREE Tripp Lite product!\*

\* No purchase necessary. Void where prohibited. Some restrictions apply. See website for details.

### Regulatory Compliance Identification Numbers

For the purpose of regulatory compliance certifications and identification, your Tripp Lite product has been assigned a unique series number. The series number can be found on the product nameplate label, along with all required approval markings and information. When requesting compliance information for this product, always refer to the series number. The series number should not be confused with the marketing name or model number of the product.

### FCC Notice, Class B

This device complies with part 15 of the FCC Rules. Operation is subject to the following two conditions: (1) This device may not cause harmful interference, and (2) this device must accept any interference received, including interference that may cause undesired operation.

Note: This equipment has been tested and found to comply with the limits for a Class B digital device, pursuant to part 15 of the FCC Rules. These limits are designed to provide reasonable protection against harmful interference in a residential installation. This equipment generates, uses and can radiate radio frequency energy and, if not installed and used in accordance with the instructions, may cause harmful interference to radio communications. However, there is no guarantee that interference will not occur in a particular installation. If this equipment does cause harmful interference to radio or television reception, which can be determined by turning the equipment off and on, the user is encouraged to try to correct the interference by one or more of the following measures:

- Reorient or relocate the receiving antenna.
- Increase the separation between the equipment and receiver.
- Connect the equipment into an outlet on a circuit different from that to which the receiver is connected.
- Consult the dealer or an experienced radio/TV technician for help.

Any changes or modifications to this equipment not expressly approved by Tripp Lite could void the user's authority to operate this equipment.

### WEEE Compliance Information for Tripp Lite Customers and Recyclers (European Union)



Under the Waste Electrical and Electronic Equipment (WEEE) Directive and implementing regulations, when customers buy new electrical and electronic equipment from Tripp Lite they are entitled to:

- Send old equipment for recycling on a one-for-one, like-for-like basis (this varies depending on the country)
- Send the new equipment back for recycling when this ultimately becomes waste

Tripp Lite has a policy of continuous improvement. Specifications are subject to change without notice.





# Manual del Propietario

## Estación Móvil para Carga de Tabletas y Sincronización

Modelos con 32 Puertos: CSC32USB (CSC32USBW)

### Índice

|   |           |   |           |
|---|-----------|---|-----------|
| <b>1. Instrucciones Importantes de Seguridad</b>  | <b>10</b> | <b>6. Instalación en Pared</b>                      | <b>14</b> |
| <b>2. Descripción General</b>   | <b>10</b> | 6.1 Desinstalación de las Ruedas y<br>la Manija     | 14        |
| <b>3. Identificación de Partes y Características</b>  | <b>11</b> | 6.2 Instalación en Pared de la Estación<br>de Carga | 14        |
| <b>4. Instalación</b>   | <b>12</b> | <b>7. Especificaciones</b>                          | <b>15</b> |
| 4.1 Instalación del Soporte de la Manija<br>y el Administrador del Cable<br>de Alimentación | 12        | <b>8. Almacenamiento, Servicio y Limpieza</b>       | <b>15</b> |
| 4.2 Ajuste de los Divisores de<br>Almacenamiento  | 12        | <b>9. Garantía</b>                                  | <b>16</b> |
| 4.3 Alimentación de la Unidad de<br>Cargador/Hub USB  | 12        | English   | 1         |
| 4.4 Cerraduras de la Puerta   | 12        | Français  | 17        |
| <b>5. Cargador/Hub USB de 32 Puertos</b>  | <b>13</b> |   |           |
| 5.1 Características del Cargador/Hub USB  | 13        |   |           |
| 5.2 Conexión de Dispositivos al<br>Cargador/Hub USB   | 13        |   |           |
| 5.3 Conexión de una Computadora al<br>Cargador/Hub USB                                      | 14        |   |           |



1111 W. 35th Street, Chicago, IL 60609 EE. UU. • [www.tripplite.com/support](http://www.tripplite.com/support)

Copyright © 2016 Tripp Lite. Todas las marcas registradas son propiedad de sus respectivos propietarios.

# 1. Instrucciones de Seguridad Importantes



## CONSERVE ESTAS INSTRUCCIONES

Este manual contiene instrucciones y advertencias que deben observarse durante la instalación y la operación del producto aquí descrito. El no hacerlo puede invalidar la garantía y causar daños materiales o lesiones personales.

### Unidad de Cargador/Hub USB:

- Para remover el Cargador/Hub USB de la alimentación del servicio público, el cable de alimentación funciona como dispositivo de desconexión.
- Si surge cualquiera de las siguientes situaciones, programe una cita para que un técnico de servicio inspeccione su equipo:
  - El equipo ha estado expuesto a humedad
  - El equipo se ha caído o dañado
  - El equipo muestra signos evidentes de roturas
  - El equipo no funciona correctamente o no funciona de acuerdo a las instrucciones descritas en el presente Manual del Propietario
- No se recomienda utilizar este equipo en aplicaciones de soporte de vida donde una falla podría llegar a causar la falla del equipo de soporte de vida o afectar significativamente su seguridad o efectividad.

### Gabinete de la Estación de Carga:

- Mantenga la estación de carga en un ambiente interior controlado, alejada de humedad, temperaturas extremas, líquidos y gases inflamables, contaminantes conductivos, polvo y luz solar directa.
- Deje un espacio adecuado alrededor de la estación de carga para que reciba una ventilación apropiada. No bloquee, cubra ni coloque objetos en las aberturas externas de ventilación de la estación de carga.
- La estación de carga es extremadamente pesada. Tenga cuidado al manipularla. No intente desempacarla ni instalarla sin ayuda. Utilice un dispositivo mecánico, como un montacargas o un gato hidráulico para tarimas, para mover la estación de carga en el contenedor de transporte.
- No coloque recipientes con líquidos ni apile artículos sobre el gabinete.
- Inspeccione el contenedor de transporte y la estación de carga para detectar daños producidos durante el envío. No utilice la estación si está dañada.
- Tenga cuidado cuando corte el material de empaque. La estación de carga podría sufrir rayaduras, y estos daños no están cubiertos por la garantía.
- Guarde todo el material de empaque para uso posterior. Volver a empacar y enviar el equipo o el gabinete de la estación de carga sin el material de empaque original puede ocasionar daños al producto que anularían la garantía.

### Para Aplicaciones Móviles:

- La estación de carga incluye cuatro ruedas giratorias con bloqueo preinstaladas.
- Cuando mueva la estación de carga, siempre utilice la manija incluida (para obtener más información, consulte la **sección 4.1 Instalación del Soporte de la Manija y el Administrador del Cable de Alimentación**).
- Cuando mueva el gabinete de la estación de carga, siempre empújelo desde la parte posterior; nunca lo jale hacia usted.
- Una estación de carga rodante puede ocasionar lesiones personales y daños materiales si no se supervisa correctamente. Tenga mucho cuidado si necesita trasladar hacia abajo la estación de carga por una rampa. No intente usar rampas que tengan una pendiente superior al 12%.

### Para Instalaciones en Pared:

- Las ruedas se envían preinstaladas con la estación de carga. Retire las ruedas y la manija antes de instalar la estación de carga en la pared (para obtener más información, consulte la **sección 6.1 Extracción de Ruedas y Manija**).
- Antes de realizar la instalación, asegúrese de que la superficie de la pared pueda soportar con seguridad el peso combinado de la estación de carga, el equipo almacenado y todos los accesorios y los componentes conectados.
- Siempre utilice los medios de instalación adecuados para realizar la instalación en un bloque de hormigón, concreto, tabla roca o travesaños de madera.

# 2. Descripción General

La estación de carga es una solución integral para almacenamiento y carga de hasta 32 dispositivos. Con cuatro ruedas giratorias con bloqueo preinstaladas y una manija acoplable y reversible, la estación de carga es ideal para aplicaciones móviles. La estación de carga también puede instalarse en paredes de manera conveniente, así como configurarse sobre el escritorio o sobre el piso. Para evitar el robo y sabotaje del dispositivo, el gabinete de la estación de carga está equipado con puertas de acero con cerradura.

### 3. Identificación de Partes y Características

#### CSC32USB(W)

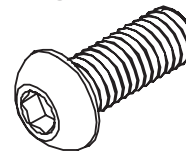
- 1** Puertas divididas con cerradura
- 2** Estantes de almacenamiento ajustables (con capacidad para almacenar hasta 16 dispositivos por estante)
- 3** Paneles obturadores (removibles)
- 4** Manija reversible
- 5** Ruedas giratorias con bloqueo
- 6** Administrador del cable de alimentación
- 7** Orificios de acceso del cable de alimentación (uno en cada lado)
- 8** Cerrojo para Candado (El Usuario Suministra el Candado)
- 9** Orificios para Pasar el Cable del Candado (El Usuario Suministra el Candado)
- 10** Panel lateral con ranuras con perforaciones para instalación en la pared (para obtener más información, consulte la **Sección 6**)

No se muestra:

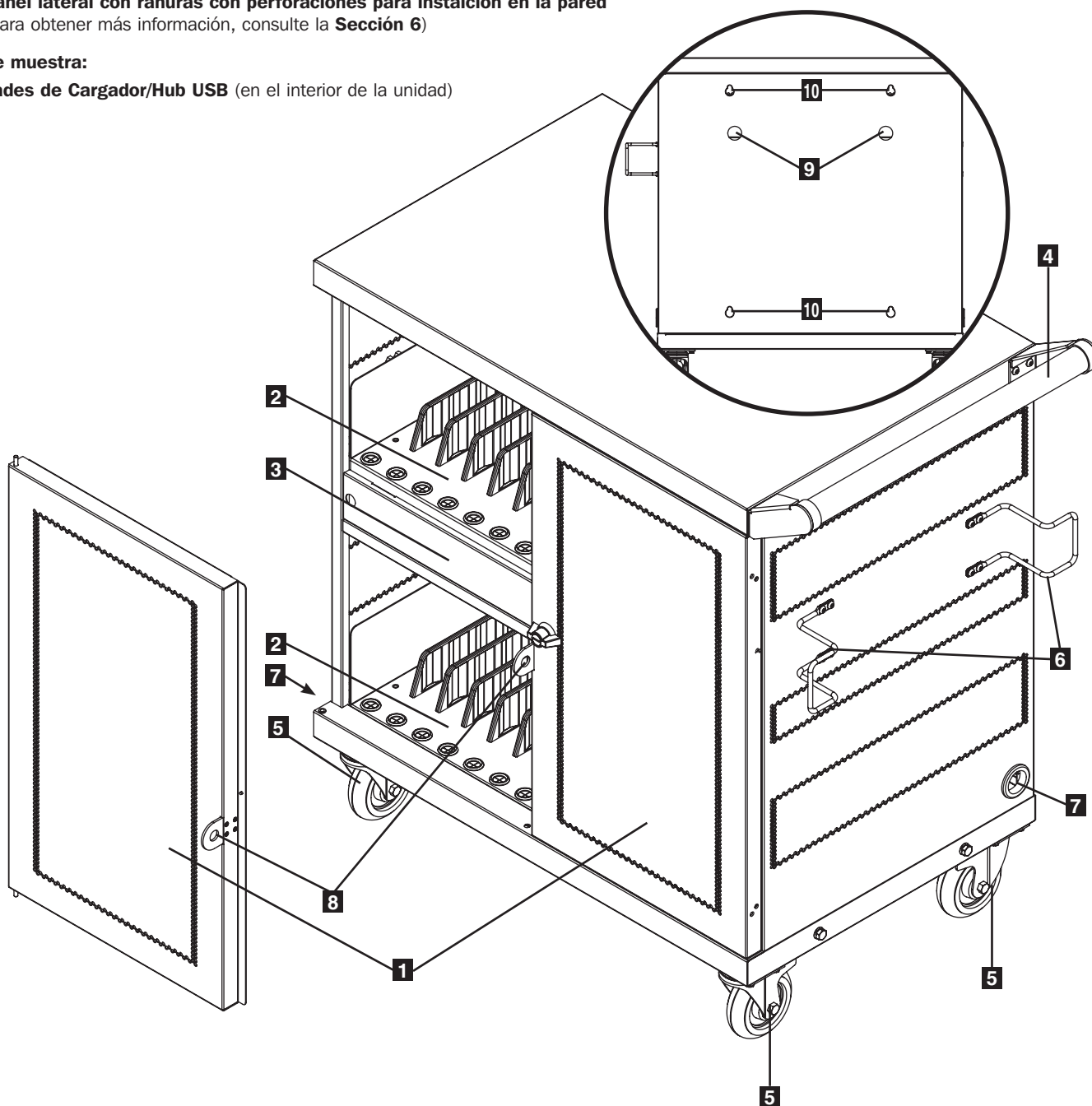
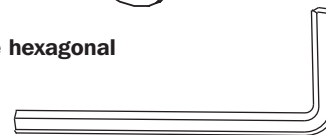
Unidades de Cargador/Hub USB (en el interior de la unidad)

#### Accesorios de Instalación Incluidos:

12 tornillos hexagonales



Llave hexagonal



## 4. Instalación



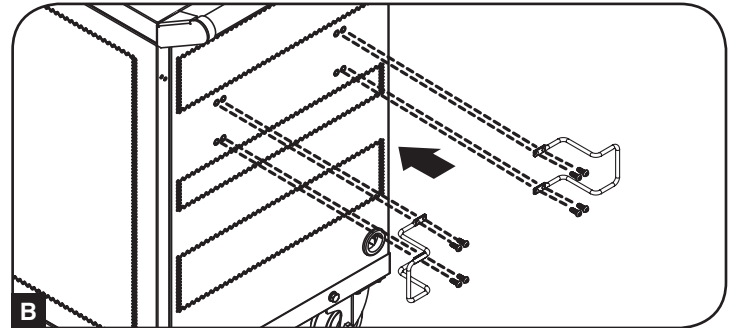
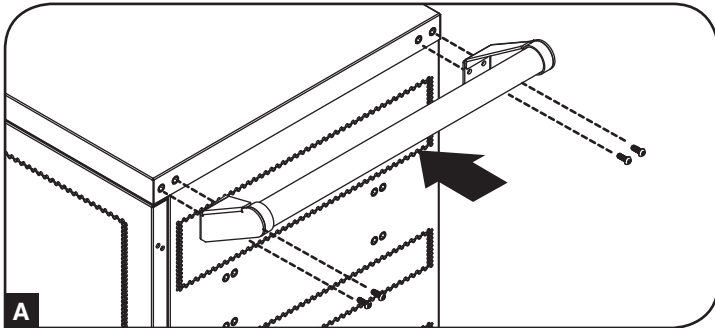
**¡Precaución! ¡Lea todas las instrucciones y las advertencias antes de realizar la instalación!**



**Advertencia:** las estaciones de carga pueden ser muy pesadas. No intente desempacar ni instalar la estación de carga sin ayuda. Antes de proceder con la instalación, siga las instrucciones de desempaque incluidas en el documento que se envía junto con el producto. Tenga mucho cuidado al manipular la estación de carga y asegúrese de seguir todas las instrucciones de manejo e instalación. No intente instalar el equipo sin antes estabilizar la estación de carga.

### 4.1 Instalación del Soporte de la Manija y el Administrador del Cable de Alimentación

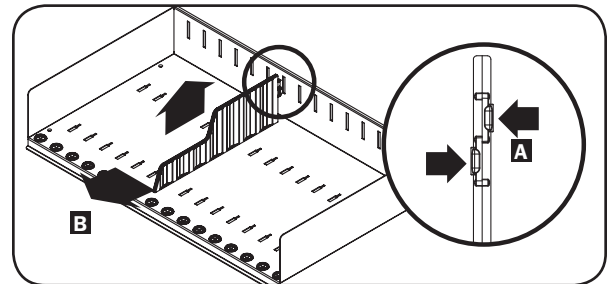
Para instalar el soporte de la manija, utilice la llave hexagonal incluida para colocar cuatro (4) tornillos hexagonales a del gabinete de la estación de carga **A**. Para instalar el administrador del cable de alimentación, utilice la misma llave hexagonal para asegurar los ocho tornillos hexagonales que unen los soportes del cable de alimentación (cuatro por soporte) al gabinete de la estación de carga **B**.



### 4.2 Ajuste de los Divisores del Estante de Almacenamiento

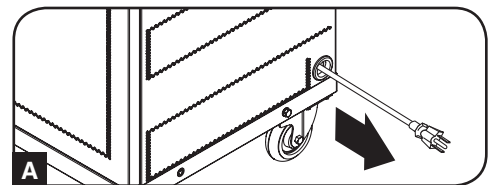
La estación de carga viene con dos estantes de almacenamiento con divisores ajustables, donde se pueden ubicar hasta 16 dispositivos electrónicos personales por estante.

Retire cualquier dispositivo electrónico que esté almacenado sobre el entrepaño. Luego retire el panel obturador. Para retirar el estante de la repisa del gabinete, oprímalo hacia adelante para desacoplarlo del gancho de instalación, después jale el estante hacia arriba y hacia afuera. Una vez que retire el estante, quite o vuelva a acomodar los divisores presionando las dos pestañas que ajustan el divisor al extremo posterior **A**, y luego empuje el divisor hacia adelante para desacoplarlo del entrepaño **B**. Repítalo si es necesario para los divisores adicionales.



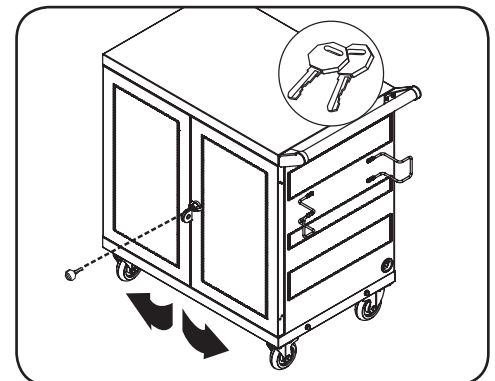
### 4.3 Alimentación de la Unidad de Cargador/Hub USB

Una vez que se ha retirado el panel obturador inferior, busque el cable y la clavija de entrada de la Unidad de Cargador/Hub USB en el compartimiento inferior de la estación de carga, luego empuje la clavija a través de una de las perforaciones de acceso al cable ubicadas a ambos lados del gabinete de la estación de carga **A** (se recomienda utilizar la misma perforación lateral de acceso que el administrador del cable de alimentación). Conecte el cable de alimentación en la toma en la pared de tres clavijas, debidamente aterrizada, más cercana y vuelva a colocar el panel obturador en la unidad.



### 4.4 Cerraduras de la Puerta

Las puertas divididas incluyen una cerradura que puede abrirse con las llaves incluidas.



## 5. Cargador/Hub USB de 32 Puertos

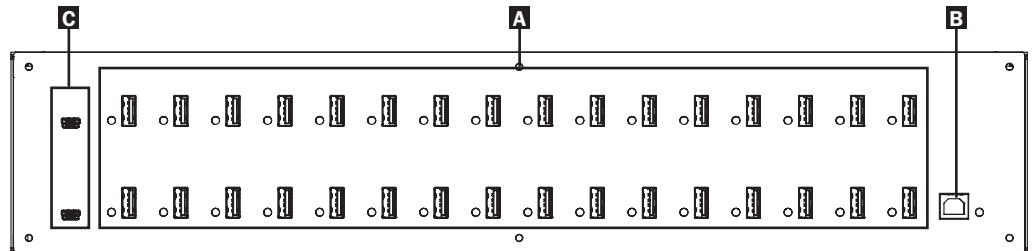
### 5.1 Características del Cargador/Hub USB

- El cargador/hub USB de grado profesional carga y sincroniza hasta 16 dispositivos con USB, incluyendo iPads®, iPods® y iPhones® y tabletas y smartphones Android™.
- Proporciona a cada puerto USB un nivel de carga óptimo para un dispositivo en particular (hasta 2.4 Amperes).
- Permite realizar la sincronización para cualquier dispositivo diseñado para comunicaciones de datos por USB, mediante software compatible para administración de archivos.
- Sincroniza dispositivos Syncs Apple® mediante el software iTunes® o Apple Configurator.
- El Puerto Mini-USB para Actualización de Firmware permite futuras actualizaciones de software a soporte dispositivos nuevos.
- El alojamiento para instalación en rack 1U puede configurarse para instalaciones profesionales, educativas o personales.
- La entrada IEC C14 hace fáciles las conexiones de alimentación, usando los cables de alimentación dedicados por región (incluidos).

**A** Puertos para Dispositivos con USB de 2.4A, con Indicadores LED (32 en total)

**B** Puerto de Sincronización de Computadora

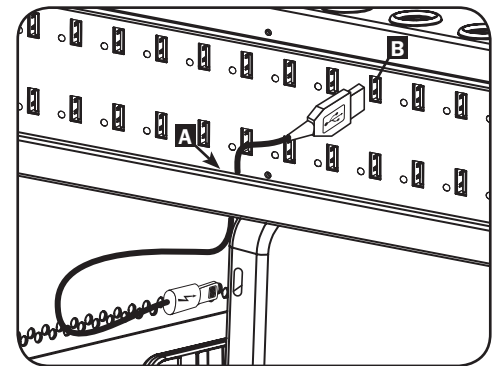
**C** Puertos de Actualización de Firmware



### 5.2 Conexión de Dispositivos al Cargador/Hub USB

Cada entrepaño de almacenamiento cuenta con 16 bujes relevadores de tensión que evitan que los conectores de dispositivos con cable USB se salgan por el buje **A**. Usando un cable USB blindado suministrado por el usuario o del fabricante del dispositivo, conecte el cable USB al dispositivo por cargar. Pase entonces el extremo del cable por el buje relevador de tensión en el entrepaño de almacenamiento y conecte el conector USB en un puerto de carga USB **B**. Repita para todos los dispositivos.

Tripp Lite ofrece cables individuales y en paquetes de 10 para dispositivos Apple® que usan cables USB a 30 Pines o USB a Lightning™, así como cables individuales y en paquetes de 10 para dispositivos USB 3.0 o 2.0 usando cables USB A (macho) a Micro B (macho) de 5 Pines.



| Tipo de Cable  | Cable Individual<br>Número de<br>Modelo | Paquete de<br>10 Cables<br>Número<br>de Modelo |
|--|---|--|
| Conector Apple USB a 30 Pines, 25.4 cm [10 pulg.]                          | M110-10N-BK                             | M110-10N-BK-10                                 |
| Conector Apple USB a 30 Pines, 0.9 m [3 pies]                              | M110-003-WH                             | —  |
| Conector Apple USB a Lightning de 8 Pines, 25.4 cm [10 pulg.]              | M100-10N-BK                             | M100-10N-BK-10                                 |
| Conector Apple USB a Lightning de 8 Pines, 0.9 m [3 pies]                  | M100-003-BK<br>M100-003-WH              | —  |
| Conector Apple USB a Lightning de 8 Pines, 1.8 m [6 pies]                  | M100-006-BK<br>M100-006-WH              | —  |
| Conector Apple USB a Lightning de 8 Pines, 3 m [10 pies]                   | M100-010-BK<br>M100-010-WH              | —  |
| USB 3.0 SuperSpeed A (Macho) a Micro-B (Macho) de 5 Pines, 30.5 cm [1 pie] | U326-001-BK                             | U326-001-BK-10                                 |
| USB 3.0 SuperSpeed A (Macho) a Micro-B (Macho) de 5 Pines, 0.9 m [3 pies]  | U326-003<br>U326-003-BK                 | —  |
| USB 3.0 SuperSpeed A (Macho) a Micro-B (Macho) de 5 Pines, 3 m [10 pies]   | U326-010                                | —  |
| USB 2.0 Reversible A (Macho) a Micro-B (Macho) de 5 Pines, 30.5 cm [1 pie] | UR050-001*                              | UR050-001-10*                                  |
| USB 2.0 Reversible A (Macho) a Micro-B (Macho) de 5 Pines, 0.9 m [3 pies]  | UR050-003*<br>UR050-003-WH*             | —  |
| USB 2.0 Reversible A (Macho) a Micro-B (Macho) de 5 Pines, 1.8 m [6 pies]  | UR050-006*<br>UR050-006-SLIM*           | —  |
| USB 2.0 Reversible A (Macho) a Micro-B (Macho) de 5 Pines, 3 m [10 pies]   | UR050-010*                              | —  |

\* Cuenta con un conector USB A (macho) reversible para instalaciones simplificadas.

Para más información sobre nuestra selección de cables USB premium, visite [www.triplite.com](http://www.triplite.com).

## 5. Cargador/Hub USB de 32 Puertos

### 5.3 Conexión de una Computadora al Cargador/Hub USB

Además del dispositivo de carga, el Cargador/Hub USB está equipado con una función de hub que sincroniza dispositivos y sus aplicaciones respectivas de software mediante una computadora conectada. Para permitir la función de hub utilice el cable USB incluido para conectar el conector USB B en el puerto de sincronización del Cargador/Hub USB y el conector USB A en el puerto USB de una computadora.

**Nota:** Cuando se ha establecido una conexión con una computadora y estén conectados múltiples dispositivos al Cargador/Hub USB, la tasa de carga se reducirá durante la sincronización y se restablecerá la tasa de carga normal una vez terminada ésta.

**Nota:** El Puerto de Actualización de Firmware requiere una conexión mini-USB (cable no incluido).

## 6. Instalación en Pared

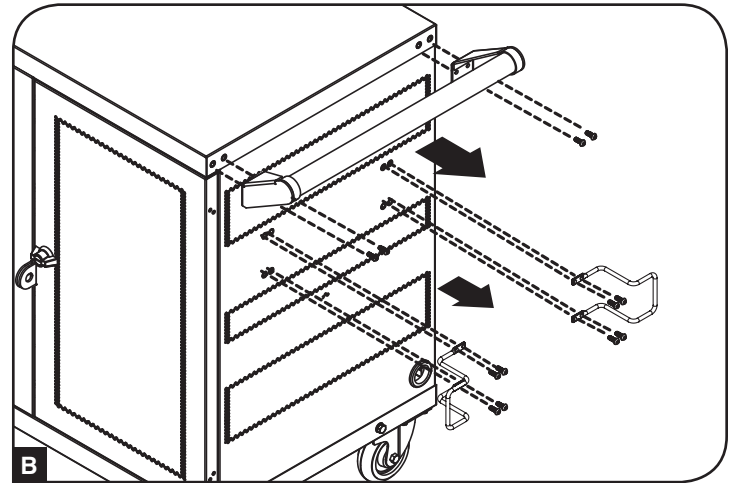
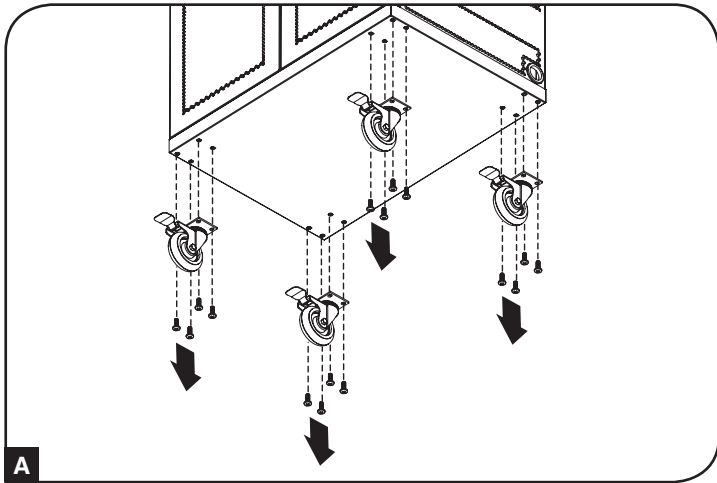
Para utilizar la estación de carga en una instalación montada en pared, primero retire las ruedas y la manija.

### 6.1 Desinstalación de las Ruedas y la Manija

**Advertencia:** no intente remover la ruedas de la Unidad de Cargador/Hub USB con ninguna laptop, tableta u otros dispositivos electrónicos personales dentro de ella.

Para retirar las ruedas y la manija de aplicaciones fijas o instaladas en pared, extraiga los 16 tornillos M6 que fijan las cuatro ruedas (cuatro por rueda) al gabinete **A**. Si la manija y el administrador de cables están acoplados a la unidad, según lo indicado en la sección 4.1, retírelos con la llave hexagonal incluida para extraer los ocho (8) tornillos hexagonales de la manija y los 8 tornillos hexagonales del administrador de cables del gabinete de la estación de carga **B**.

**Nota:** guarde las ruedas, la manija y todas las piezas para uso posterior.



### 6.2 Instalación en Pared de la Estación de Carga

Para realizar la instalación en pared, necesitará:

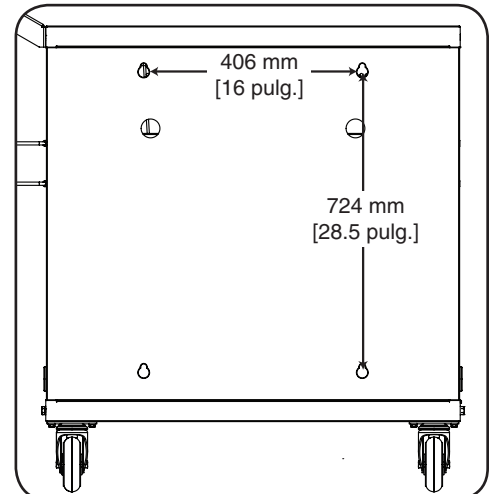
- Nivel
- Herramientas adecuadas para la instalación en pared
- Accesorios adecuados para la instalación en pared (no se incluyen)

**Advertencia:** no intente instalar la estación de carga a la pared con ningún dispositivo electrónico personal adentro.

El panel lateral del gabinete de la estación de carga tiene 4 perforaciones. Cada perforación admite un perno M5 o de 3/16 pulgadas. Cada juego de perforaciones está centrado a 406 mm [16 pulgadas] de distancia en dirección horizontal y a 724 mm [28.5 pulgadas] en dirección vertical (consulte el diagrama del modelo correspondiente para ver las ubicaciones exactas).

Use un nivel para determinar con precisión la posición de las áreas de instalación. Use sujetadores adecuados (no incluidos) para asegurar la estación de carga a la pared. Una vez que la estación de carga ya esté colgada firmemente en los sujetadores y asegurada a la pared, abra la unidad por la puerta posterior y ajuste todas las piezas de instalación.

**Nota:** la estación de carga debe ser instalada por un técnico calificado. Antes de instalar, use un nivel y cinta métrica para ubicar con precisión el área de instalación. Use sujetadores adecuados (no incluidos) para asegurar la estación de carga a la pared. Utilice los medios de instalación adecuados para realizar la instalación en un bloque de hormigón, concreto, tabla roca o travesaños de madera. **Advertencia:** la superficie de apoyo debe ser capaz de soportar con seguridad el peso combinado de la estación de carga, el equipo almacenado y de todos los accesorios y los componentes conectados. Para obtener más información sobre los pesos y las dimensiones de su modelo, consulte la sección de Especificaciones.



## 7. Especificaciones

|   |  |
|---|--|
| <b>Modelo</b>   | <b>CSC32USB(W)</b>   |
| Dimensiones del gabinete (Al x An x Pr)               | 917 x 884 x 513 mm / 36.1 x 34.8 x 20.2 pulg.                                  |
| Peso de la unidad                                     | 59 kg / 130.7 lb.  |
| Capacidad de carga*                                   | 90 kg (200 lb.) Estacionario o rondante  |
| Puertos de Cargador/Hub                               | 32 x USB 2.0 A (Hembra)<br>1 x USB 2.0 B (Hembra)<br>2 x USB 2.0 mini (Hembra) |
| Velocidad de Transmisión                              | Hasta 480 Mbps   |
| Requerimiento de Energía                              | Entrada: 110-240V, 2.5A, 50/60 Hz<br>Salida: 5.0V, 2.4A Max (por puerto USB)   |
| Temperatura de Operación                              | 0° a 40° C / 32° a 104° F  |
| Humedad de Funcionamiento                             | 5 a 95% de HR, Sin Condensación  |
| Número de Unidades de Cargador/Hub                    | 2  |
| Dimensiones de Cargador/Hub por Unidad (Al x An x Pr) | 45 x 445 x 240 mm / 1.75 x 17.5 x 9.5 pulg.                                    |
| Material del Gabinete                                 | Metal  |

\*Para la capacidad de carga total de instalación en pared, la superficie de instalación debe poder soportar el peso completo de la estación de carga y de todos los componentes conectados. Las especificaciones pueden estar sujetas a cambio sin previo aviso.

## 8. Almacenamiento, Servicio y Limpieza

### Almacenamiento

El gabinete debe estar almacenado en un entorno interior controlado, alejado de humedad, temperaturas extremas, líquidos y gases inflamables, contaminantes conductivos, polvo y luz solar directa. De ser posible, almacene el gabinete en el contenedor de embarque original.

### Servicio

El gabinete está cubierto por la garantía limitada descrita en el presente manual. Para obtener más información, visite [www.tripplite.com/support](http://www.tripplite.com/support).

### Limpieza

Antes de limpiar, siempre desconecte la estación de carga de la fuente CA. Humedezca un trapo limpio y sin pelusas con agua, y limpie la unidad según sea necesario. Deje que la superficie se seque antes de conectarla.

**Nota:** evite el uso de trapos abrasivos, solventes o aerosoles para limpiar la estación de carga, ya que pueden dañarla.

## 9. Garantía

### GARANTÍA LIMITADA DE 2 AÑOS

El vendedor garantiza que este producto no tiene defectos originales de materiales ni de mano de obra por un período de dos años a partir de la fecha original de compra, si se utiliza de acuerdo con todas las instrucciones correspondientes. En caso de demostrarse dentro de ese período que el producto tiene defectos de materiales o de mano de obra, el vendedor lo reparará o reemplazará a su exclusiva discreción. El servicio técnico bajo esta garantía solo puede ser obtenido si usted entrega o envía el producto (con todos los cargos de envío o entrega prepagos) a: Tripp Lite; 1111 W. 35th Street; Chicago IL 60609; EE. UU. El vendedor abonará los cargos de envío de devolución. Visite [www.tripplite.com/support](http://www.tripplite.com/support) antes de enviar cualquier equipo para reparación.

ESTA GARANTÍA NO CUBRE EL DESGASTE NORMAL NI LOS DAÑOS CAUSADOS POR ACCIDENTES, MAL USO, ABUSO O NEGLIGENCIA. EL VENDEDOR NO OFRECE NINGUNA GARANTÍA EXPRESA QUE NO SEA LA ESTABLECIDA EXPRESAMENTE EN EL PRESENTE DOCUMENTO. EXCEPTO EN LA MEDIDA EN QUE LO PROHIBAN LAS LEYES APLICABLES, LA DURACIÓN DE TODAS LAS GARANTÍAS IMPLÍCITAS, INCLUIDAS LAS DE COMERCIABILIDAD O APTITUD, SE LIMITA AL PERÍODO DE GARANTÍA ANTES MENCIONADO Y ESTA GARANTÍA EXCLUYE EXPRESAMENTE TODOS LOS DAÑOS INCIDENTALES E INDIRECTOS. (Algunos Estados no permiten las limitaciones a la duración de una garantía implícita y algunos Estados no permiten la exclusión o limitación de los daños incidentales o indirectos, de modo que las limitaciones o exclusiones antes mencionadas pueden no corresponder en su caso. Esta garantía le otorga derechos legales específicos y usted puede tener otros derechos que varían de una jurisdicción a otra).

ADVERTENCIA: Antes de usar este dispositivo, cada usuario debe ocuparse de determinar si es apto, adecuado o seguro para el uso que pretende darle. Dado que las aplicaciones individuales están sujetas a diversas variaciones, el fabricante no representa ni garantiza la idoneidad o condición de estos dispositivos para cualquier aplicación específica.

### Cumplimiento de las normas de los números de identificación

Para fines de identificación y certificación del cumplimiento de las normas, su producto Tripp Lite tiene asignado un número de serie único. Puede encontrar el número de serie en la etiqueta de la placa de identificación del producto, junto con los símbolos de aprobación e información requeridos. Al solicitar información sobre el cumplimiento de las normas para este producto, siempre mencione el número de serie. El número de serie no debe ser confundido con el nombre de identificación ni con el número de modelo del producto.

### Información de sobre Cumplimiento de la WEEE para Clientes de Tripp Lite y Recicladores (Unión Europea)



Según la Directiva de Residuos de Aparatos Eléctricos y Electrónicos (Waste Electrical and Electronic Equipment, WEEE) y sus reglamentos, cuando los clientes compran nuevos equipos eléctricos y electrónicos a Tripp Lite, tienen derecho a:

- Enviar equipos antiguos para reciclaje según una base de uno por uno, entre productos similares (esto varía dependiendo del país)
- Enviar el equipo nuevo de vuelta para reciclaje cuando este se convierta finalmente en desecho

Tripp Lite tiene una política de mejora continua. Las especificaciones están sujetas a cambio sin previo aviso.





# Manuel de l'utilisateur

## Chariot pour station de charge et de synchronisation de la tablette

Modèles à 32 ports : CSC32USB (CSC32USBW)

### Table des matières

|   |           |   |           |
|---|-----------|---|-----------|
| <b>1. Consignes de sécurité importantes</b>                                 | <b>18</b> | <b>6. Installation murale</b>                 | <b>22</b> |
| <b>2. Aperçu</b>  | <b>18</b> | 6.1 Enlever les roulettes et la poignée       | 22        |
| <b>3. Identification des caractéristiques</b>                               | <b>19</b> | 6.2 Montage mural de la station de chargement | 22        |
| <b>4. Configuration</b>   | <b>20</b> | <b>7. Spécifications</b>                      | <b>23</b> |
| 4.1 Installation du support de poignée et du guide du cordon d'alimentation | 20        | <b>8. Entreposage, entretien et nettoyage</b> | <b>23</b> |
| 4.2 Réglage des diviseurs de l'étagère de rangement                         | 20        | <b>9. Garantie</b>                            | <b>24</b> |
| 4.3 Mise sous tension de l'unité du chargeur USB/concentrateur              |           | English                                       | 1         |
| 4.4 Verrous de porte  | 20        | Español                                       | 9         |
| <b>5. Chargeur/concentrateur USB à 32 ports</b>                             | <b>21</b> |   |           |
| 5.1 Caractéristiques du chargeur USB /concentrateur                         | 21        |   |           |
| 5.2 Connecter les appareils au concentrateur/chargeur USB                   | 21        |   |           |
| 5.3 Connecter un ordinateur au concentrateur/chargeur USB                   | 22        |   |           |



1111 W. 35th Street, Chicago, IL 60609 EE. UU. • [www.tripplite.com/support](http://www.tripplite.com/support)

Droits d'auteur © 2016 Tripp Lite. Toutes les marques de commerce sont la propriété exclusive de leurs propriétaires respectifs.

# 1. Consignes de sécurité importantes



## CONSERVEZ CES INSTRUCTIONS.

Ce manuel contient des instructions et des avertissements qui doivent être suivis lors de l'installation et du fonctionnement du produit décrit dans ce manuel. Le non-respect peut annuler la garantie et causer des dommages à la propriété ou des blessures.

### Unité du chargeur USB/concentrateur :

- Pour retirer le chargeur USB/concentrateur de l'alimentation du secteur, le cordon d'alimentation sert de dispositif de débranchement.
- Si l'une des situations suivantes se présente, prendre rendez-vous pour faire inspecter l'équipement par un technicien en entretien :
  - L'équipement a été exposé à l'humidité.
  - L'équipement a été échappé et endommagé.
  - L'équipement montre des signes évidents de dommages.
  - L'équipement ne fonctionne pas correctement ou ne fonctionne pas conformément aux directives du manuel de l'utilisateur.
- Il n'est pas recommandé d'utiliser cet équipement pour des appareils de survie où une défaillance de cet équipement peut, selon toute vraisemblance, entraîner la défaillance de l'appareil de maintien de vie ou affecter de façon majeure sa sécurité ou son efficacité.

### Armoire de la station de chargement

- Garder la station de chargement dans un environnement intérieur contrôlé, à l'écart de l'humidité, des températures extrêmes, des liquides et des gaz inflammables, des contaminants conducteurs, de la poussière et de la lumière directe du soleil.
- Laisser suffisamment d'espace autour de la station de chargement pour assurer une bonne ventilation. Ne pas bloquer, couvrir ou insérer des objets dans les ouvertures de ventilation externes de la station de chargement.
- La station de chargement est extrêmement lourde. Faire preuve de vigilance lors de la manutention de la station de chargement. Ne pas tenter de la débarrer ou de la monter sans assistance. Utiliser un dispositif mécanique comme un chariot élévateur à fourche ou un transpalette manuel pour déplacer la station de chargement dans le conteneur d'expédition.
- Ne pas placer de récipients contenant un liquide ou empiler des objets sur l'armoire.
- Inspecter le conteneur d'expédition et la station de chargement pour s'assurer qu'elle n'a subi aucun dommage durant le transport. Ne pas utiliser la station de chargement si elle est endommagée.
- Faire preuve de vigilance au moment de couper le matériel d'emballage. Cela risquerait d'égratigner la station de chargement, causant des dommages qui ne sont pas couverts par la garantie.
- Conserver tout le matériel d'emballage en vue d'une utilisation ultérieure. Remballer et expédier l'armoire de la station de chargement ou l'équipement sans le matériel d'emballage d'origine pourrait causer des dommages au produit et annuler la garantie.

### Pour les applications mobiles :

- La station de chargement comprend quatre roulettes verrouillables/orientables préinstallées.
- Toujours utiliser la poignée incluse lors du déplacement de la station de chargement (voir la **section 4.1 Installation du support de la poignée et du guide du cordon d'alimentation** pour plus de renseignements).
- Lors du déplacement de l'armoire de la station de chargement, toujours la pousser par derrière; ne jamais la tirer vers soi.
- Une station de chargement déplacée sur ses roulettes, sans supervision adéquate, pourrait causer des blessures corporelles et des pertes matérielles. Si la station de chargement doit être roulée vers le bas d'une rampe, procéder avec la plus grande prudence. Ne pas tenter d'utiliser des rampes qui ont une pente supérieure à 12 %.

### Pour les installations murales :

- Les roulettes sont expédiées préinstallées avec la station de chargement. Enlever les roulettes et la poignée avant de tenter de monter la station de chargement au mur (voir la **section 6.1 Enlever les roulettes et la poignée** pour plus de renseignements).
- Avant le montage, s'assurer d'abord que la surface du mur peut supporter sans risque la charge combinée de la station de chargement, de l'équipement stocké et de tout le matériel et composants attachés.
- Toujours utiliser des moyens de montage appropriés pour une installation sur des blocs de béton de mâchefer, du béton, des cloisons sèches ou des colombages en bois.

# 2. Aperçu

La station de chargement est une solution tout-en-un pour ranger et charger jusqu'à 32 appareils. Avec quatre roulettes verrouillables/orientables préinstallées et une poignée amovible réversible, la station de chargement est idéale pour les applications mobiles. La station de chargement peut être commodément montée aux murs de même que configurée pour un ordinateur de bureau ou placée sur le plancher. Pour prévenir le vol et l'altération de l'appareil, le boîtier de la station de chargement est équipé de portes en acier verrouillables.

### 3. Identification des caractéristiques

#### CSC32USB(W)

- 1** Portes en deux parties verrouillables
- 2** Étagères de rangement réglables (chaque étagère peut recevoir jusqu'à 16 appareils)
- 3** Panneaux de suppression (amovibles)
- 4** Poignée réversible
- 5** Roulettes orientables/verrouillables
- 6** Guide du cordon d'alimentation
- 7** Trous d'accès au cordon d'alimentation (1 de chaque côté)
- 8** Moraillon à cadenas (L'utilisateur fournit le dispositif de verrouillage.)
- 9** Ouvertures pour l'acheminement du dispositif de verrouillage des câbles (L'utilisateur fournit le dispositif de verrouillage.)
- 10** Panneau latéral avec fentes pour montage mural en trou de serrure (Voir la Section 6 pour plus de renseignements)

Non illustré :

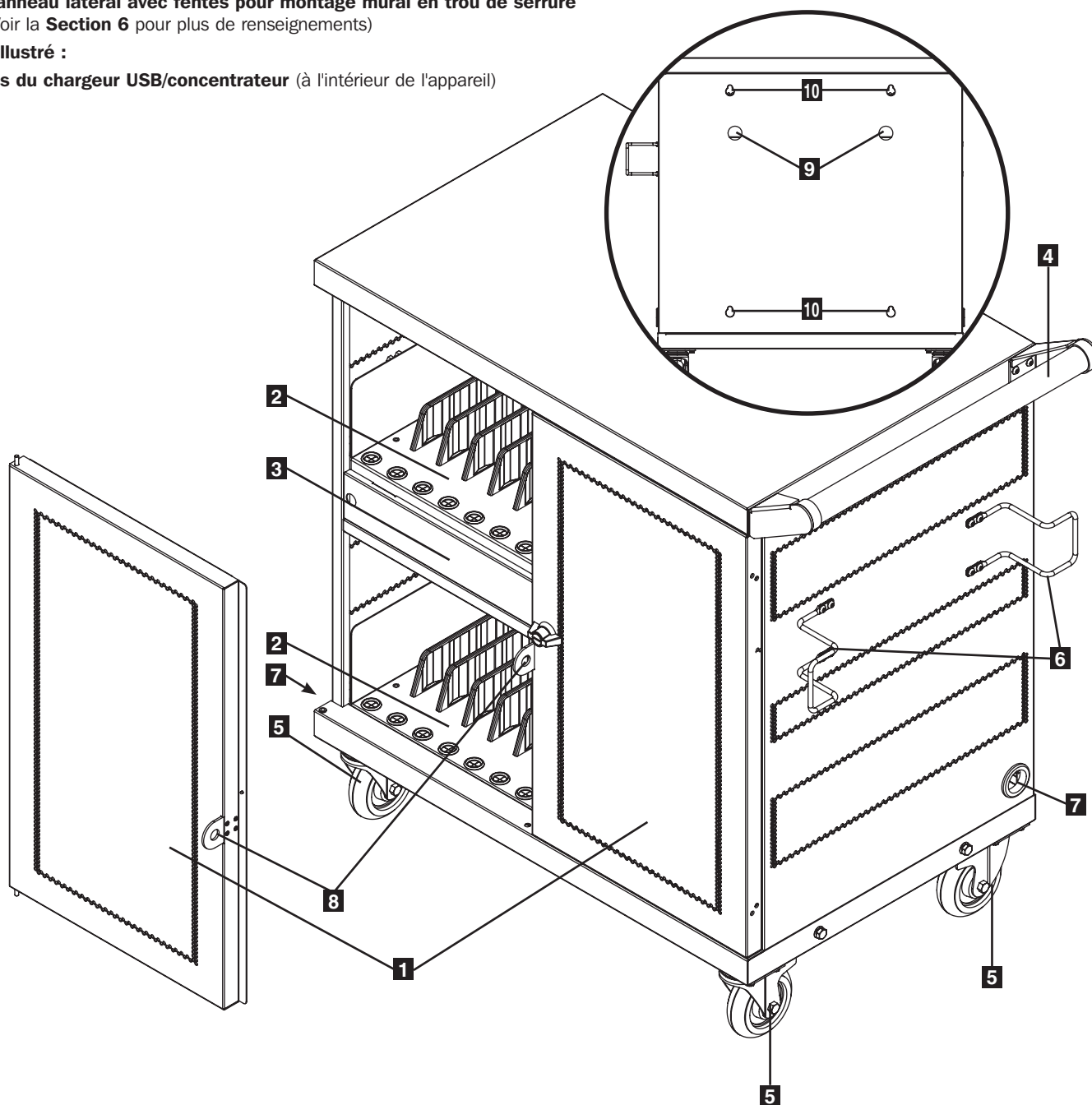
Unités du chargeur USB/concentrateur (à l'intérieur de l'appareil)

#### Quincaillerie pour les accessoires incluse

12 x vis hexagonales



Clé hexagonale



## 4. Configuration



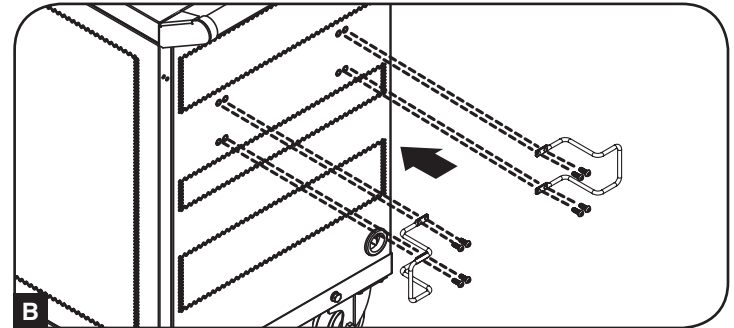
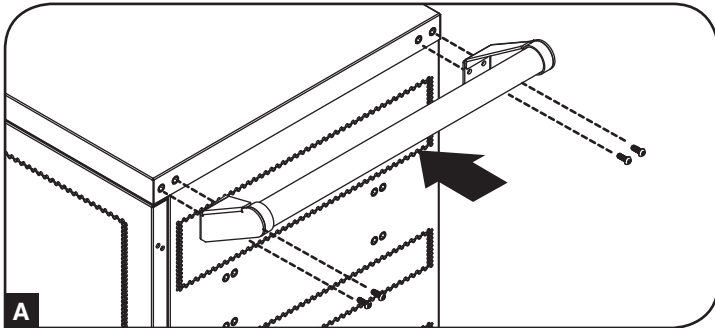
**Mise en garde! Lire toutes les instructions et les avertissements avant l'installation.**



**Avertissement :** Les stations de chargement peuvent être extrêmement lourdes. Ne pas tenter de débarrer ou de monter la station de chargement sans assistance. Suivre les instructions de déballage du manuel expédié avec ce produit avant de procéder à la configuration. Faire preuve de vigilance lors de la manutention de la station de chargement et s'assurer de respecter toutes les instructions concernant la manutention et l'installation. Ne pas tenter d'installer l'équipement sans d'abord stabiliser la station de chargement.

### 4.1 Installation du support de poignée et du guide du cordon d'alimentation

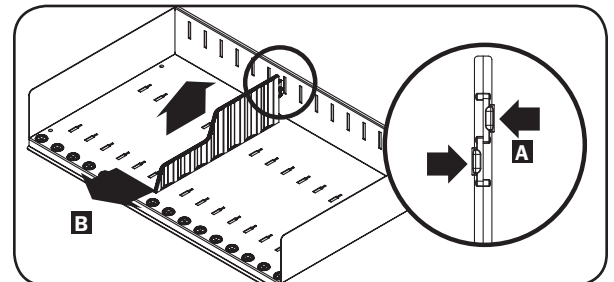
Pour installer le support de la poignée, utiliser la clé hexagonale incluse pour fixer quatre (4) vis hexagonales aux de l'armoire de la station de chargement **A**. Pour installer le guide du cordon, utiliser la même clé hexagonale pour retenir en place les huit vis hexagonales qui retiennent les supports du guide du cordon (quatre par support) à l'armoire de la station de chargement **B**.



### 4.2 Réglage des diviseurs de l'étagère de rangement

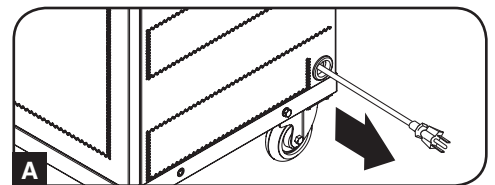
La station de chargement est fournie avec deux étagères de rangement avec diviseurs réglables qui peuvent chacune recevoir jusqu'à 16 appareils électroniques personnels par étagère.

Enlever tous les appareils électroniques personnels rangés sur le plateau de l'étagère. Retirer ensuite le panneau de suppression. Pour retirer le plateau d'étagère de l'armoire, pousser le plateau d'étagère vers l'avant pour le dégager du crochet de montage, puis tirer le plateau vers le haut puis hors de l'armoire. Une fois l'étagère enlevée, retirer ou réarranger les séparateurs en poussant sur les deux languettes retenant le séparateur à l'extrémité arrière **A**, puis pousser le séparateur vers l'avant pour le dégager du plateau d'étagère **B**. Répéter, au besoin, pour chaque séparateur d'étagère supplémentaire.



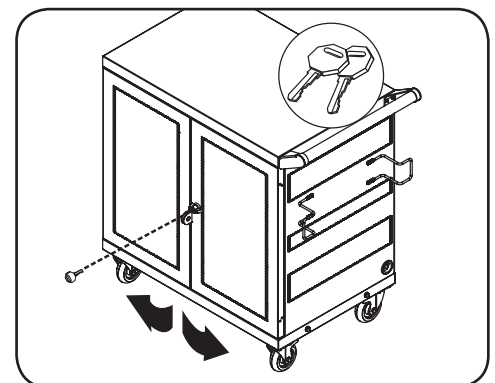
### 4.3 Mise sous tension de l'unité du chargeur USB/concentrateur

Une fois le panneau de suppression inférieur retiré, trouver la fiche d'alimentation de l'unité du chargeur USB/concentrateur et le câble qui se trouvent dans le compartiment inférieur de la station de chargement, puis pousser la fiche d'alimentation à travers l'un des passe-fils du trou d'accès aux câbles situé sur l'un ou l'autre des côtés de l'armoire de la station de chargement **A** (il est recommandé d'utiliser le même côté du trou d'accès aux câbles que le guide du cordon d'alimentation). Brancher le cordon d'alimentation dans la prise de courant à 3 broches mise à la masse la plus près et rattacher le panneau de suppression à l'appareil.



### 4.4 Verrous de porte

Les portes en deux parties comportent un verrou qui est accessible avec les clés incluses.



## 5. Chargeur/concentrateur USB à 32 ports

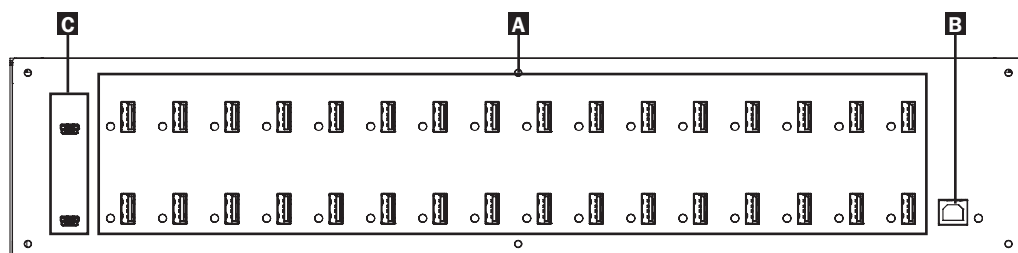
### 5.1 Caractéristiques du chargeur USB /concentrateur

- Le chargeur/concentrateur USB de qualité professionnelle charge et synchronise jusqu'à 16 appareils USB, y compris des iPads®, iPods® et iPhones®, et les tablettes et téléphones intelligents Android™.
- Fournit à chaque port USB un niveau de charge optimal pour un appareil particulier (jusqu'à 2,4 ampères).
- Permet que la synchronisation soit effectuée avec tout appareil conçu pour les communications de données USB au moyen d'un logiciel de gestion des fichiers compatible.
- Synchronise les appareils Apple® via le logiciel iTunes® ou Apple Configurator.
- Le port de mise à niveau de micrologiciel mini-USB permet la mise à niveau des logiciels pour soutenir de nouveaux dispositifs.
- Le boîtier de 1U pouvant être monté en bâti peut être configuré pour les installations professionnelles, pédagogiques ou personnelles.
- L'entrée IEC C14 facilite les connexions de l'alimentation en utilisant les cordons d'alimentation régionaux dédiés (inclus).

**A** Ports pour appareils USB de 2,4 A avec témoins à DEL (16 au total)

**B** Port de synchronisation pour ordinateur

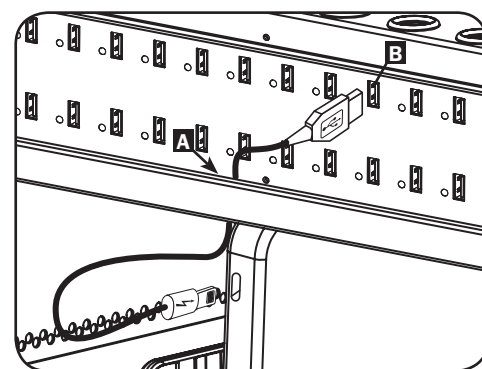
**C** Ports de mise à niveau de micrologiciel



### 5.2 Connecter les appareils au concentrateur/chargeur USB

Chaque étagère de rangement comporte 16 bagues anti-traction qui empêchent les connecteurs des câbles USB de glisser par les bagues **A**. En utilisant un câble USB blindé dont vous disposez ou fourni par le fabricant de l'appareil, connectez le câble USB à l'appareil qui doit être chargé. Faites ensuite passer l'extrémité du câble par la bague anti-traction de l'étagère de rangement et connectez le connecteur USB à un port de chargement USB **B**. Faites la même chose pour les autres appareils.

Tripp Lite propose des câbles individuels et des lots de 10 câbles pour les appareils Apple® nécessitant des câbles USB vers 30 broches ou USB vers Lightning™, ainsi que des câbles individuels et des lots de 10 câbles pour les appareils USB 3.0 ou 2.0 nécessitant des câbles USB A (mâle) vers 5 broches Micro B (mâle).



| Type de câble   | Câble individuel<br>Numéro de modèle | Lot de 10 câbles<br>Numéro de modèle |
|---|--------------------------------------|--------------------------------------|
| Connecteur Apple USB vers 30 broches, 25,4 cm (10 po)                       | M110-10N-BK                          | M110-10N-BK-10                       |
| Connecteur Apple USB vers 30 broches, 0,9 m (3 pieds)                       | M110-003-WH                          | —                                    |
| Connecteur Apple USB vers 8 broches Lightning, 25,4 cm (10 po)              | M100-10N-BK                          | M100-10N-BK-10                       |
| Connecteur Apple USB vers 8 broches Lightning, 0,9 m (3 pieds)              | M100-003-BK<br>M100-003-WH           | —                                    |
| Connecteur Apple USB vers 8 broches Lightning, 1,8 m (6 pieds)              | M100-006-BK<br>M100-006-WH           | —                                    |
| Connecteur Apple USB vers 8 broches Lightning, 3 m (10 pieds)               | M100-010-BK<br>M100-010-WH           | —                                    |
| USB 3.0 SuperSpeed A (mâle) vers 5 broches Micro-B (mâle), 30,48 cm (12 po) | U326-001-BK                          | U326-001-BK-10                       |
| USB 3.0 SuperSpeed A (mâle) vers 5 broches Micro-B (mâle), 0,9 m (3 pieds)  | U326-003<br>U326-003-BK              | —                                    |
| USB 3.0 SuperSpeed A (mâle) vers 5 broches Micro-B (mâle), 3 m (10 pieds)   | U326-010                             | —                                    |
| USB 2.0 réversible A (mâle) vers 5 broches Micro-B (mâle), 30,48 cm (12 po) | UR050-001*                           | UR050-001-10*                        |
| USB 2.0 réversible A (mâle) vers 5 broches Micro-B (mâle), 0,9 m (3 pieds)  | UR050-003*<br>UR050-003-WH*          | —                                    |
| USB 2.0 réversible A (mâle) vers 5 broches Micro-B (mâle), 1,8 m (6 pieds)  | UR050-006*<br>UR050-006-SLIM*        | —                                    |
| USB 2.0 réversible A (mâle) vers 5 broches Micro-B (mâle), 3 m (10 pieds)   | UR050-010*                           | —                                    |

\* Dispose d'un connecteur USB A (mâle) réversible pour une installation plus simple.

Visitez [www.tripplite.com](http://www.tripplite.com) pour plus d'informations sur notre sélection de câbles USB de haute qualité.

## 5. Chargeur/concentrateur USB à 32 ports

### 5.3 Connecter un ordinateur au concentrateur/chargeur USB

En plus de charger l'appareil, l'unité est équipée d'une fonction de concentrateur qui synchronise les appareils et leurs applications logicielles respectives via un ordinateur raccordé. Pour activer la fonction de concentrateur, utiliser le câble USB inclus pour brancher le connecteur B USB au port de synchronisation pour ordinateur du chargeur/concentrateur USB et le connecteur A USB dans le port USB d'un ordinateur.

**Remarque :** Lorsque la connexion d'un ordinateur est établie et que plusieurs appareils sont branchés au chargeur/concentrateur USB, le taux de charge sera réduit durant la synchronisation et le taux de charge normal reprendra une fois la synchronisation terminée.

**Remarque :** Le port de mise à niveau de micrologiciel nécessite une connexion mini-USB (câble non inclus).

## 6. Installation murale

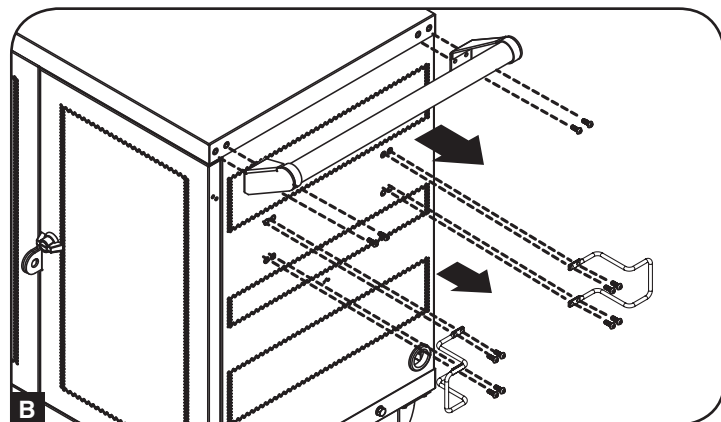
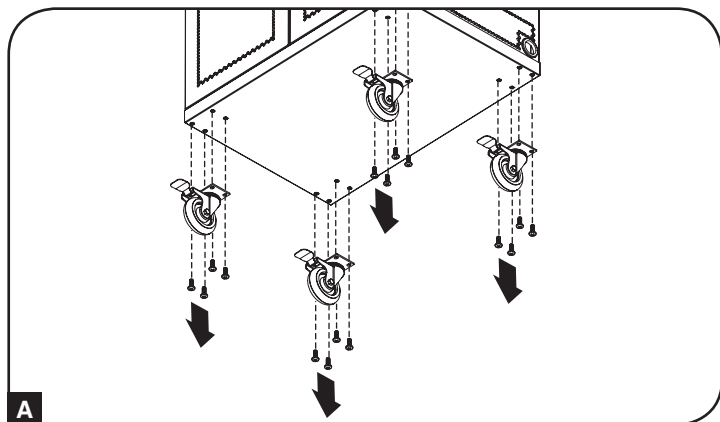
Pour utiliser la station de chargement dans une installation murale, enlever d'abord les roulettes et la poignée.

### 6.1 Enlever les roulettes et la poignée

**Avertissement :** Ne pas tenter d'enlever les roulettes de la Unidad de Cargador/Hub USB pour tablettes avec des ordinateurs portatifs, des tablettes ou autres appareils électroniques personnels à l'intérieur.

Pour enlever les roulettes et la poignée pour les applications stationnaires ou murales, dévisser les seize vis M6 retenant les quatre roulettes (quatre par roulette) au boîtier **A**. Si la poignée et le guide du cordon sont fixés à l'appareil tel que précisé à la section 4.2, les enlever en utilisant la clé hexagonale incluse pour dévisser les huit (8) vis hexagonales de la poignée et les huit vis hexagonales du guide du cordon de l'armoire de la station de chargement **B**.

**Remarque :** Garder les roulettes, la poignée et toute la quincaillerie en vue d'une utilisation ultérieure.



### 6.2 Montage mural de la station de chargement

Pour le montage mural, il faut :

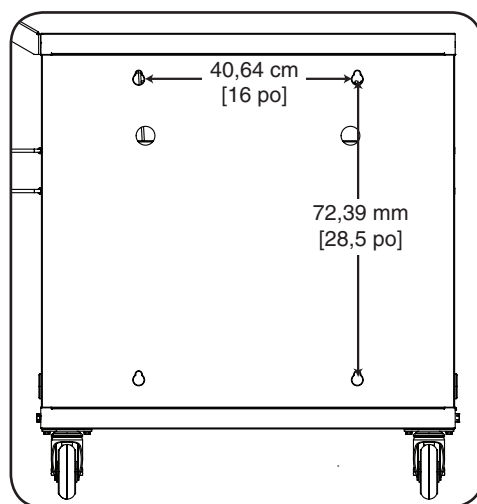
- Un niveau
- Les outils appropriés pour le montage mural
- La quincaillerie appropriée pour le montage mural (non incluse)

**Avertissement :** Ne pas tenter de monter la station de chargement au mur avec des appareils électroniques personnels à l'intérieur.

On retrouve 4 découpes en trou de serrure sur le panneau latéral de l'armoire de la station de chargement. Chaque trou de serrure peut accueillir un boulon M5 ou de 4,76 mm (3/16 po). Chacun des ensembles de trous de serrure sont centrés à 40,64 cm (16 po) l'un de l'autre sur le plan horizontal et sont espacés de 72,39 cm (28,5 po) sur le plan vertical (voir les diagrammes correspondant à chaque modèle pour l'emplacement exact des trous de serrure).

À l'aide d'un niveau, mesurer avec précision la position des zones de montage. Utiliser des fixations appropriées (non incluses) pour retenir la station de chargement au mur. Une fois la station de chargement solidement suspendue sur les pièces de fixation et solidement fixée au mur, ouvrir la porte arrière de l'appareil et serrer toute la quincaillerie de montage.

**Remarque :** La station de chargement doit être installée par un technicien qualifié. Avant le montage, utiliser un niveau et un ruban à mesurer pour placer avec précision les zones de montage. Utiliser des fixations appropriées (non incluses) pour retenir la station de chargement au mur. Utiliser des moyens de montage appropriés pour une installation sur des blocs de béton de mâchefer, du béton, des cloisons sèches ou des colombages en bois. **Avertissement :** La surface d'appui doit pouvoir supporter sans risque la charge combinée de la station de chargement, de l'équipement stocké et de tout le matériel et composants attachés. Consulter la section Spécifications pour plus de renseignements sur le poids et les dimensions de votre modèle.



## 7. Spécifications

|   |   |
|---|---|
| <b>Modèle</b>   | <b>CSC32USB(W)</b>  |
| Dimensions (H x L x P)                                  | 917 x 884 x 513 mm / 36,1 x 34,8 x 20,2 po  |
| Poids unitaire  | 59 kg / 130,7 livres  |
| Capacité nominale*                                      | 90 kg (200 livres) Immobile ou En mouvement                                       |
| Ports pour chargeur/mandrin                             | 32 x USB 2.0 A (femelle)<br>1 x USB 2.0 B (femelle)<br>2 x USB 2.0 mini (femelle) |
| Vitesse de transmission                                 | Jusqu'à 480 Mbps  |
| Besoins en puissance                                    | Entrée : 110 à 240 V, 2,5 A, 50/60 Hz<br>Sortie : 5,0 V, 2,4 A Max (par port USB) |
| Température supportée pour un fonctionnement normal     | 0° à 40° C / 32° à 104° F   |
| Humidité supportée pour un fonctionnement normal        | 5 à 95 % HR, sans condensation  |
| Nombre de chargeur/mandrin                              | 2   |
| Dimensions du chargeur/mandrin par appareil (H x L x P) | 45 x 445 x 240 mm / 1,75 x 17,5 x 9,5 po  |
| Matériau du boîtier                                     | Métal   |

\*La capacité de charge totale pour le montage mural exige une surface de montage pouvant supporter la charge totale de la station de chargement et de tous les composants connectés. Les spécifications sont sujettes à changement sans préavis.

## 8. Entreposage, entretien et nettoyage

### Entreposage

L'armoire doit être entreposée dans un environnement intérieur contrôlé, à l'écart de l'humidité, des températures extrêmes, des liquides et des gaz inflammables, des contaminants conducteurs, de la poussière et de la lumière directe du soleil. Entreposer l'armoire dans son conteneur d'expédition original si possible.

### Entretien

L'armoire est couverte par la garantie limitée décrite dans ce manuel. Pour plus de renseignements, visitez [www.tripplite.com/support](http://www.tripplite.com/support).

### Nettoyage

Avant de nettoyer, toujours mettre la station de chargement hors tension en la débranchant de sa source CA. Au besoin, essuyer l'appareil avec un linge humide, propre et non pelucheux. Laisser sécher la surface avant de brancher l'appareil.

**Remarque :** Éviter l'utilisation de chiffons abrasifs, de solvants ou de pulvérisateurs aérosols pour nettoyer la station de chargement; cela risquerait d'endommager l'appareil.

## 9. Garantie

### GARANTIE LIMITÉE DE 2 ANS

Le vendeur garantit que ce produit, s'il est utilisé selon toutes les directives applicables, est exempt de défauts d'origine de matériel et de main-d'oeuvre pour une période de 2 ans à partir de la date initiale d'achat. Si le produit s'avère défectueux en matériel ou en main-d'oeuvre durant cette période, le vendeur réparera ou remplacera le produit à sa discrétion. Vous pouvez obtenir un service selon cette garantie seulement en livrant ou en expédiant le produit (avec les frais d'expédition et de livraison prépayés) à : Tripp Lite, 1111 W. 35th Street, Chicago, IL 60609 USA. Le vendeur paiera les frais d'expédition de retour. Visitez [www.triplite.com/support](http://www.triplite.com/support) avant de retourner de l'équipement pour réparation.

CETTE GARANTIE NE S'APPLIQUE PAS À L'USURE NORMALE OU AUX DOMMAGES RÉSULTANT D'ACCIDENTS, D'ABUS OU DE NÉGLIGENCE. LE VENDEUR N'OFFRE AUCUNE GARANTIE EXPLICITE AUTRE QUE LA GARANTIE EXPRESSÉMENT SIGNIFIÉE À LA PRÉSENTE. EXCEPTÉ SELON LES LIMITES DE LA LOI APPLICABLE, TOUTES LES GARANTIES IMPLICITES, Y COMPRIS TOUTES LES GARANTIES DE QUALITÉ MARCHANDE OU DE CONFORMITÉ À UN BESOIN PARTICULIER, SONT LIMITÉES EN DURÉE À LA PÉRIODE DE GARANTIE ÉNONCÉE CI DESSUS ET CETTE GARANTIE EXCLUE EXPLICITEMENT TOUS LES DOMMAGES ACCESSOIRES OU CONSÉCUTIFS. Certaines juridictions ne permettent pas la limitation de la durée d'une garantie implicite et certaines juridictions ne permettent pas la limitation ou l'exclusion de dommages accessoires ou consécutifs, en conséquence, les limitations et les exclusions ci dessus pourraient ne pas s'appliquer à vous. Cette garantie vous donne des droits légaux spécifiques et vous pourriez avoir d'autres droits selon les juridictions.

MISE EN GARDE : L'utilisateur devra prendre soin de déterminer avant de l'utiliser si cet appareil convient, est adéquat et sûr pour l'usage prévu. Puisque les applications individuelles sont sujettes à de grandes variations, le fabricant ne fait aucune représentation ni n'offre de garantie quand à l'applicabilité et à la conformité de ces appareils pour une application particulière.

### Numéros d'identification de conformité aux règlements

À des fins de certification et d'identification de conformité aux règlements, votre produit Tripp Lite a reçu un numéro de série unique. Ce numéro se retrouve sur la plaque signalétique du produit, avec les inscriptions et informations d'approbation requises. Lors d'une demande d'information de conformité pour ce produit, utilisez toujours le numéro de série. Il ne doit pas être confondu avec le nom de la marque ou le numéro de modèle du produit.

### L'information de conformité WEEE pour les clients de Tripp Lite et recycleurs (Union européenne)



Sous les directives et règlements de déchet d'équipements électrique et électronique (Waste Electrical and Electronic Equipment, WEEE), lorsque les clients achètent le matériel électrique et électronique neuf de Tripp Lite ils sont autorisés à :

- Envoyer le vieux matériel pour le recyclage sur une base de un-contre-un et en nature (ceci varie selon le pays)
- Renvoyer le matériel neuf pour recyclage quand ceci devient éventuellement un rebut

La politique de Tripp Lite en est une d'amélioration continue. Les spécifications sont sujettes à changement sans préavis.

