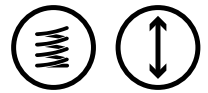




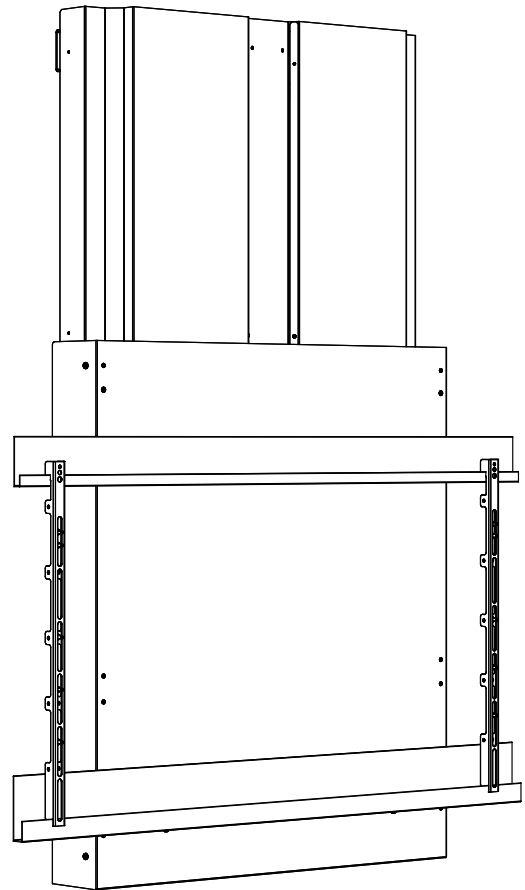
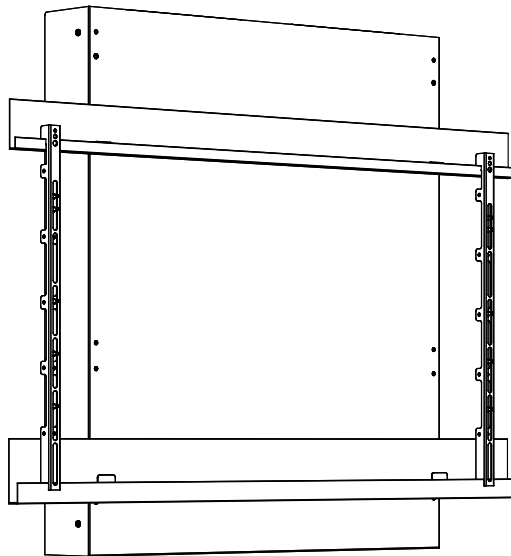
EZ1/ML360 USER MANUAL



EZ-LIFT TOUCH INTERACTIVE WALL MOUNTS

Consists of:

EZ1/MB26/396 Mount Body
EZ1/MA3 VESA Interface



CAPACITY

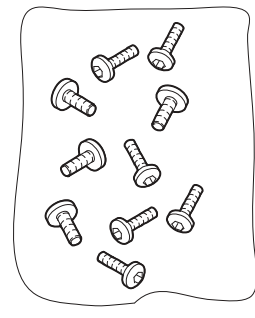
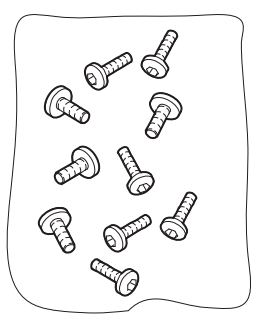
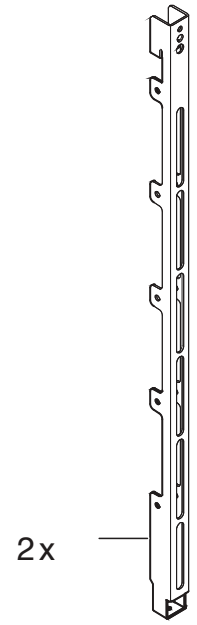
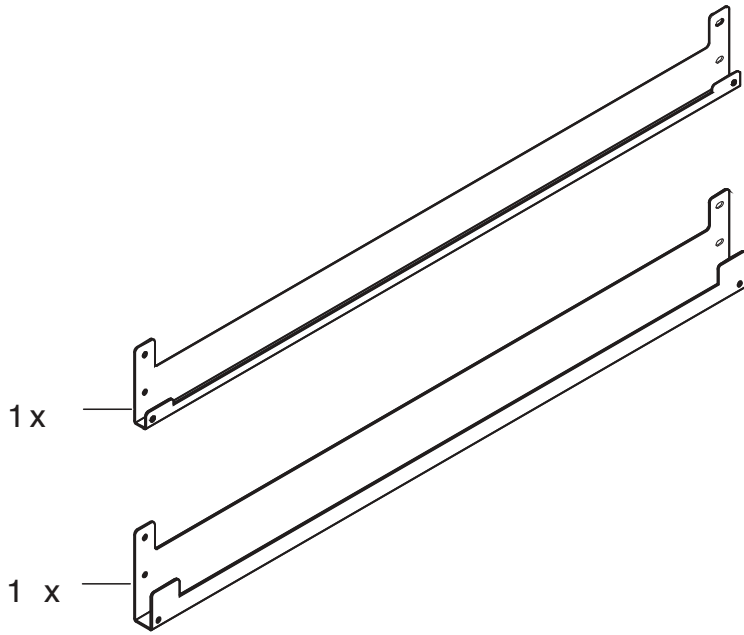
Supports most displays between 196-361 lbs (89-164 kg)

VESA Mounting

Horizontal - 400-600mm

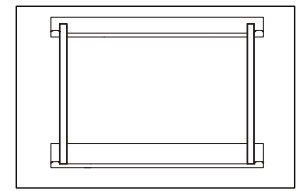
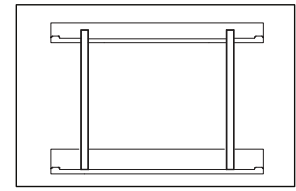
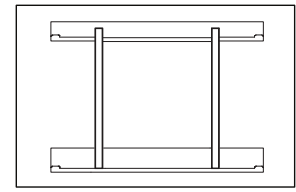
Vertical - 400-1200mm

PARTS



M6 x 12mm (10x)
or M8 x 12mm (10x)
or M10 x 12mm (10x)

M6 x 12mm (10x)

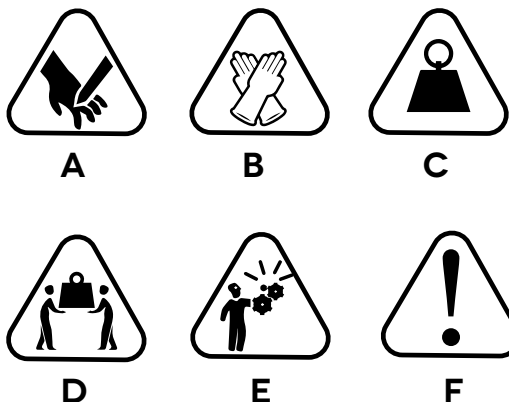


How to use this manual

- 1 Read manual carefully before you install the mount
- 2 Carry out the actions fully and in the given sequence
- 3 The mount guarantee is voided if the product is not correctly installed or modified in any way

Warning symbols used

- A Sharp edges
- B Wear glove
- C Physical load
- D Two people required
- E Entanglement hazard
- F Warning: Can cause personal injury or equipment damage



Intended use

The EZ-Touch Mount is a system that compensates the mass of vertically moving applications to ease vertical movement of the application.

General warning

The application may only be attached to or removed from the EZ-Touch when the EZ-Touch is in closed position. The EZ-Touch is under strong spring force. Only operate the EZ-Touch with an adequately balanced application attached to the application frame. Do not remove any parts of the EZ-Touch. Only the finishing cover can be removed.

Mounting fittings

Mounting fittings are not included with the product. Obtain advice from a specialist.

Setting the springs

Adjust only the outer springs:

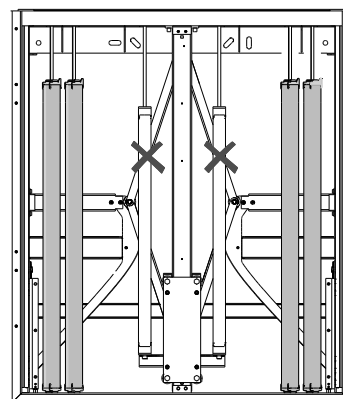
- Adjust the height of the outer springs equally
- Make sure that the height of the display is balanced
- Increase the spring tension as much as possible
- Make sure that the display does not move up

Never adjust the inner springs

Disposal of the EZ-Touch

Springs should be unattached before disposal of the EZ-Touch. Sort the EZ-Touch, the accessories and the packaging for the environmentally friendly recycling.

Never adjust inner springs!



Prepare Mounting Site

The EZ-Touch was designed to be installed on a 16" on center 2" x 4" wood stud, or metal studs, using high-quality hollow wall toggle installed in the center of the stud or a solid concrete wall.



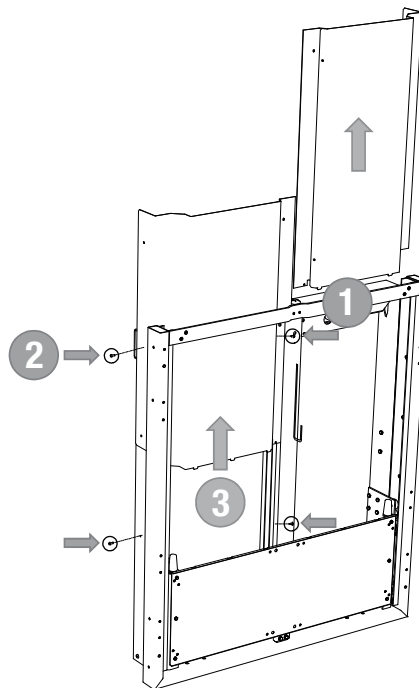
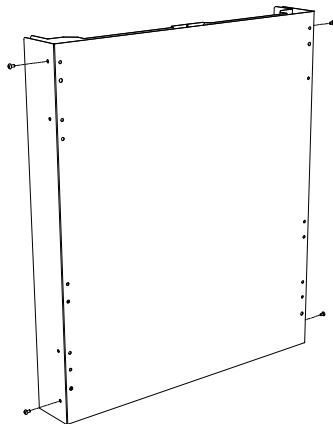
WARNING: INSTALLING THE MOUNT IN UNDERRATED OR DAMAGED CONCRETE CAN LEAD TO SERIOUS INJURY OR DAMAGE TO PRODUCT! When installing into concrete only install the mount in a solid concrete wall made of 2500 PSI (17.3 MPa) or stronger concrete. Never install the mount into cracked, chipped or flaking concrete.



WARNING: IMPROPER INSTALLATION CAN LEAD TO MOUNT FALLING CAUSING SERIOUS PERSONAL INJURY OR DAMAGE TO EQUIPMENT! It is the installers responsibility to make sure the structure to which the EZ-Touch is being installed is capable of supporting three times the combined weight of the EZ-Touch and all attached equipment is not to exceed: **497lbs / 225kg**

Mounting EZ-TOUCH to Wall EZ1/MB26/396

Unpack the EZ-Touch. Remove the application frame cover. Remove the wall frame covers: Undo the screws front (1) and side (2) and slide out to the top (3).



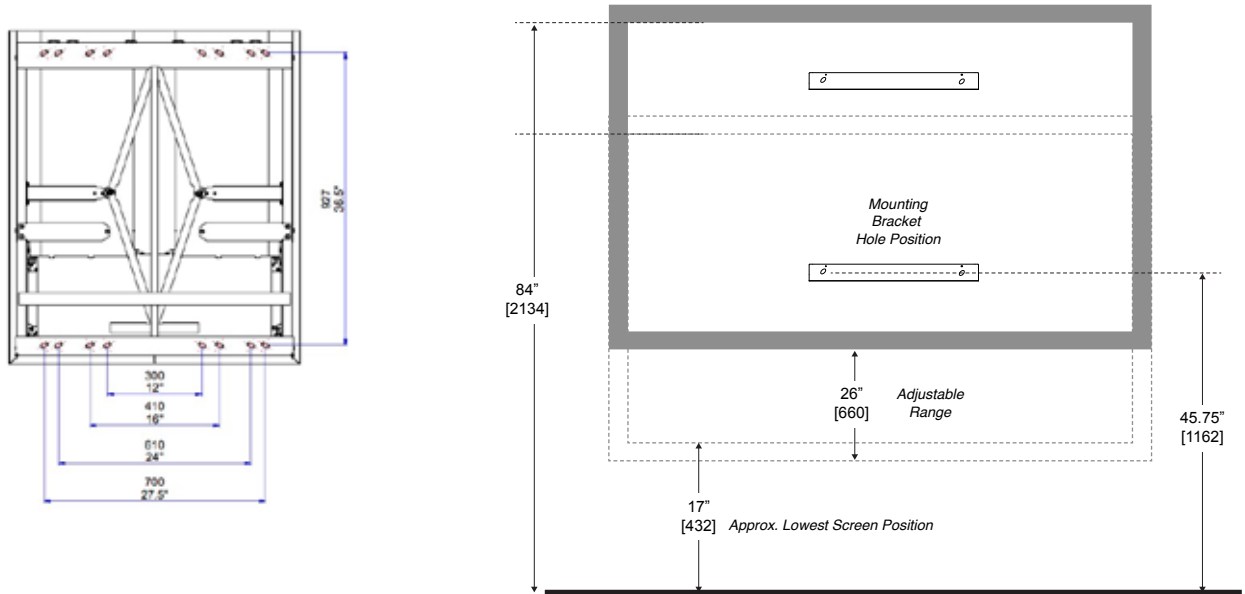
Locating your mount

WOOD CONSTRUCTION: locate two framing studs (minimum of 16" (405 mm) apart) at the desired location using a stud finder device.

MASONRY: a minimum width of 16" (405 mm) is required between fasteners.

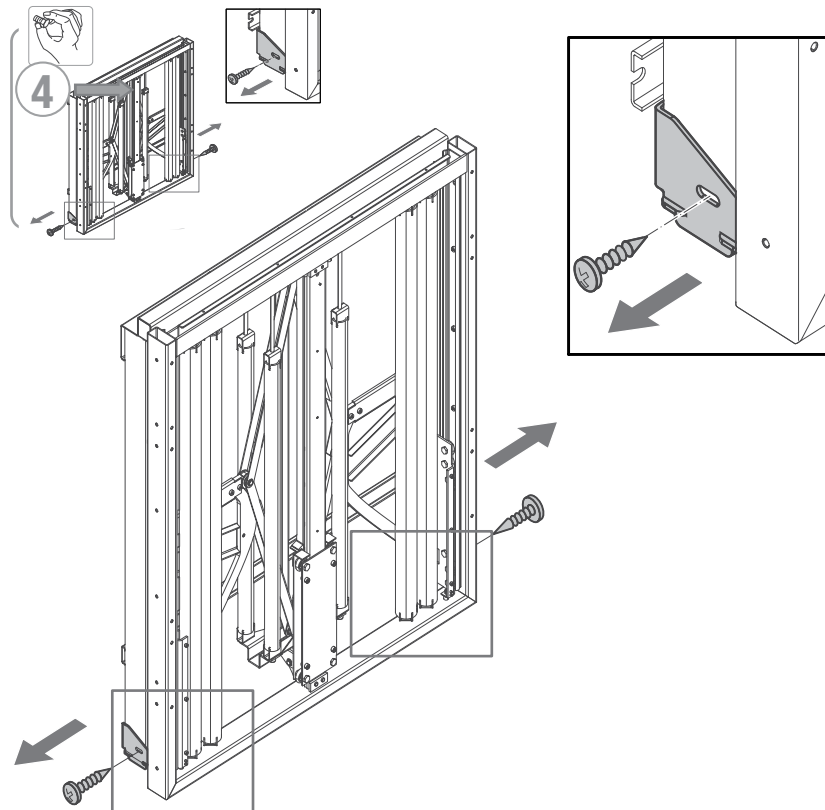
Determine Mounting Height

See below for recommended mounting height for 84" Microsoft Surface Hub bottom bracket. For other size displays please use our mounting height calculator found at www.salamandercommercial.com/ez-lift



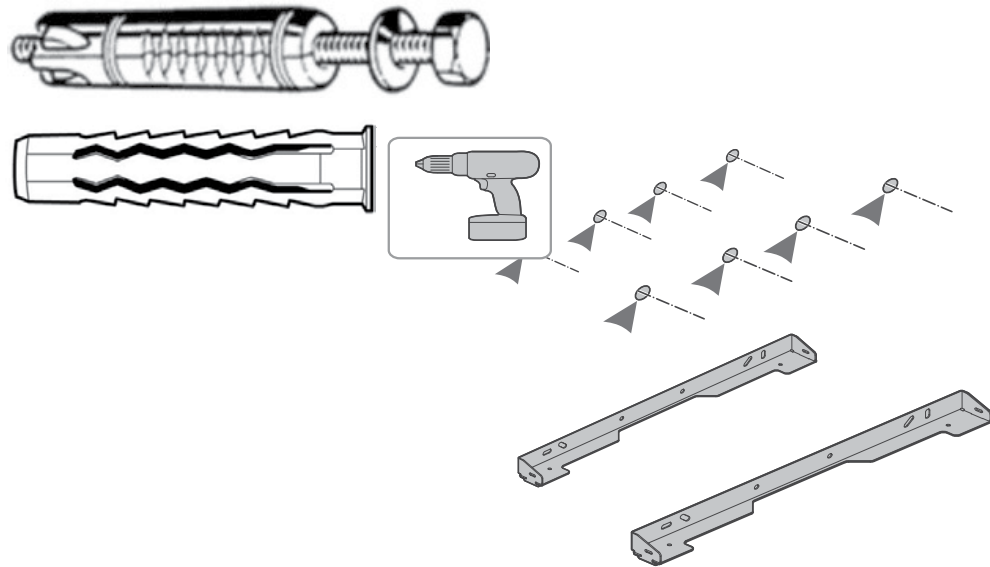
Mount wall brackets

Remove the wall bracket (4): Undo the screws left and right and remove the bracket.

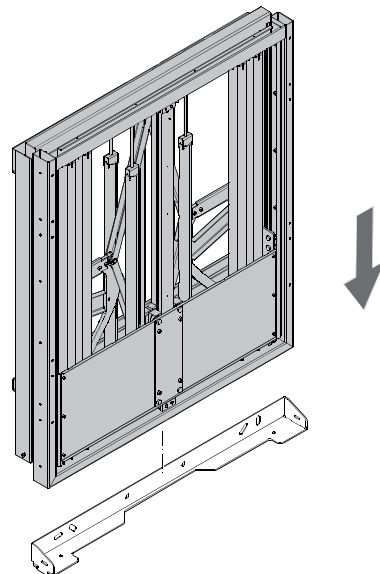


Mount Wall Bracket

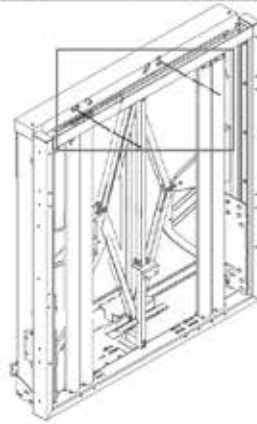
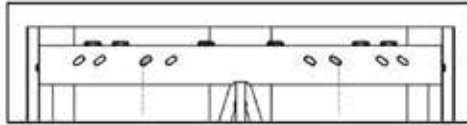
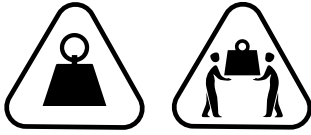
Mount the wall bracket to the wall. Fasteners not included, select based on type of wall. Be sure wall structure is sufficient to handle load. Accommodates 3/8 inch (10 mm) fasteners.



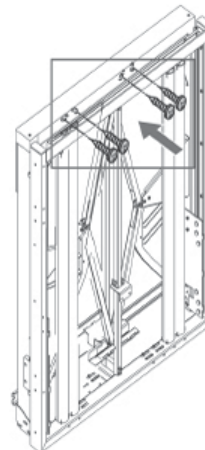
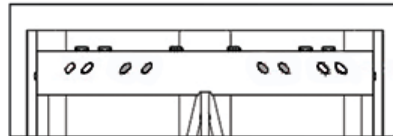
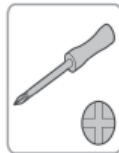
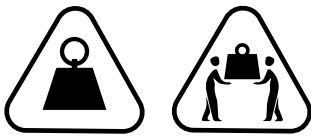
Lift the EZ-Touch in place. Hold it there. **WARNING - VERY HEAVY**



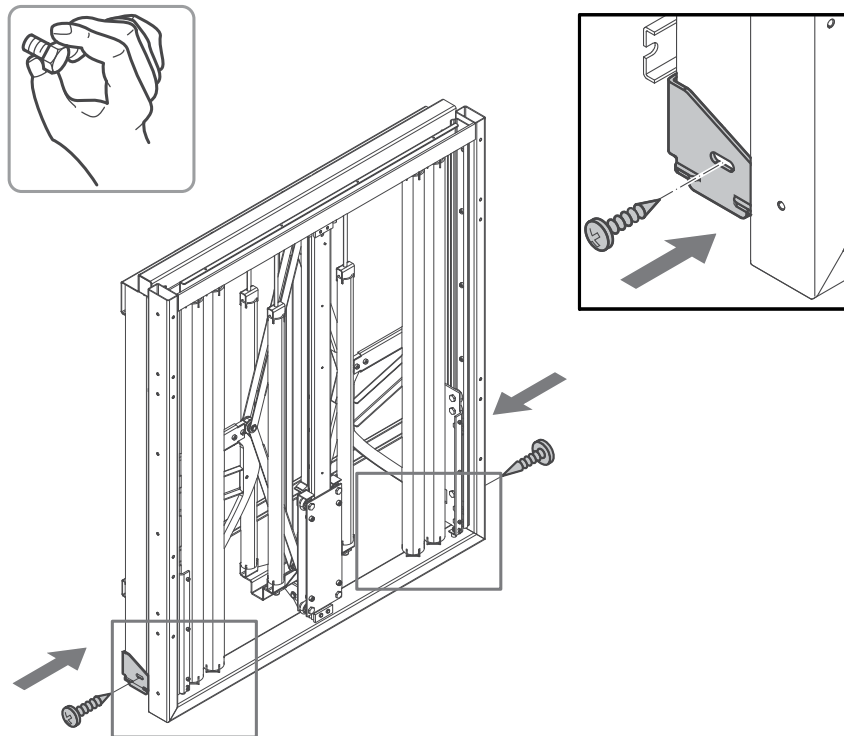
Mark the mounting holes at the top of the EZ-Touch. Take the EZ-Touch down and put it aside, drill the holes.



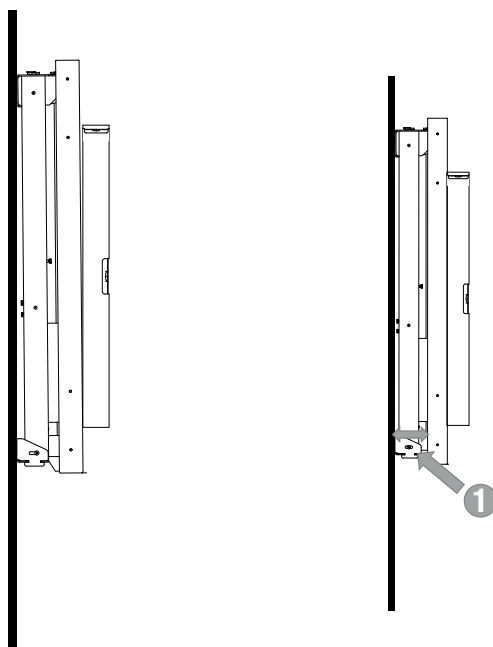
Lift the EZ-Touch in place. Tighten screws at the top.



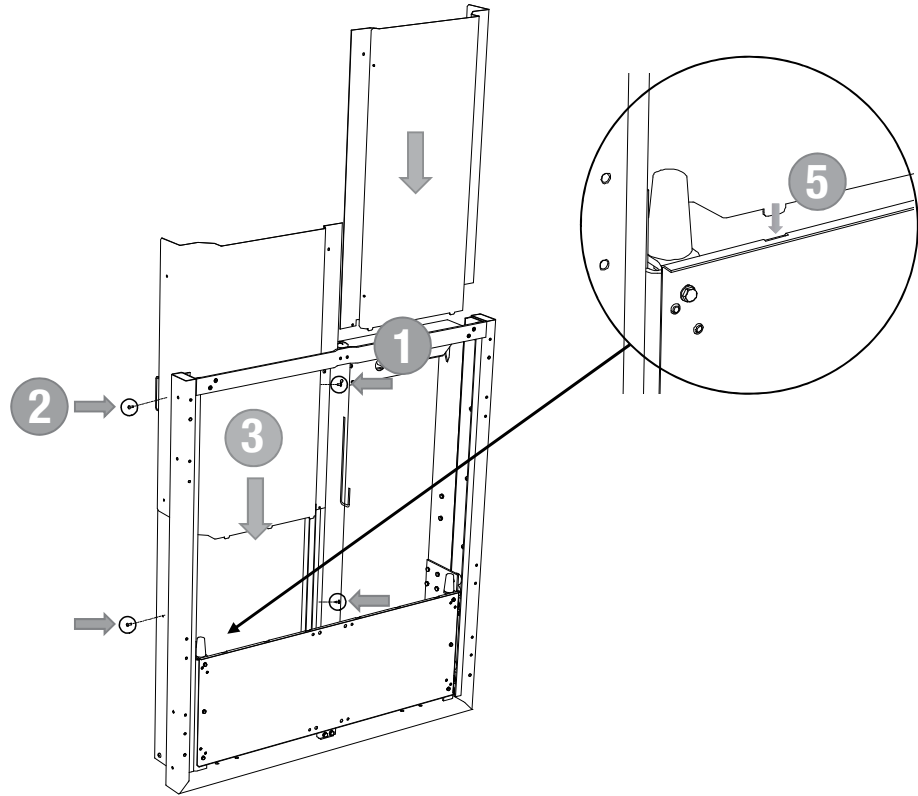
Put the security screws back securing the wall bracket to the EZ-Touch. Do not tighten the screws yet



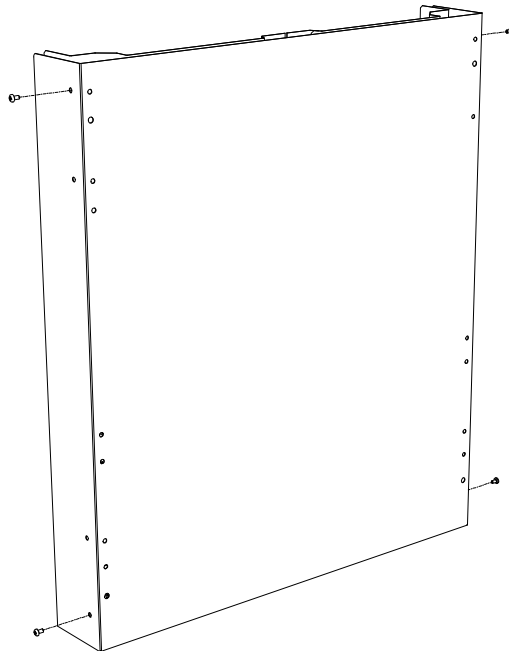
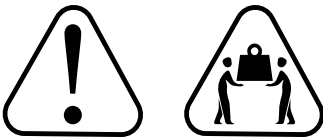
Always level the EZ-Touch vertically! Avoid it crashing into the wall during use and noise from misalignment. Level the EZ-Touch at the bottom. Tighten the security screws (1) on both sides.



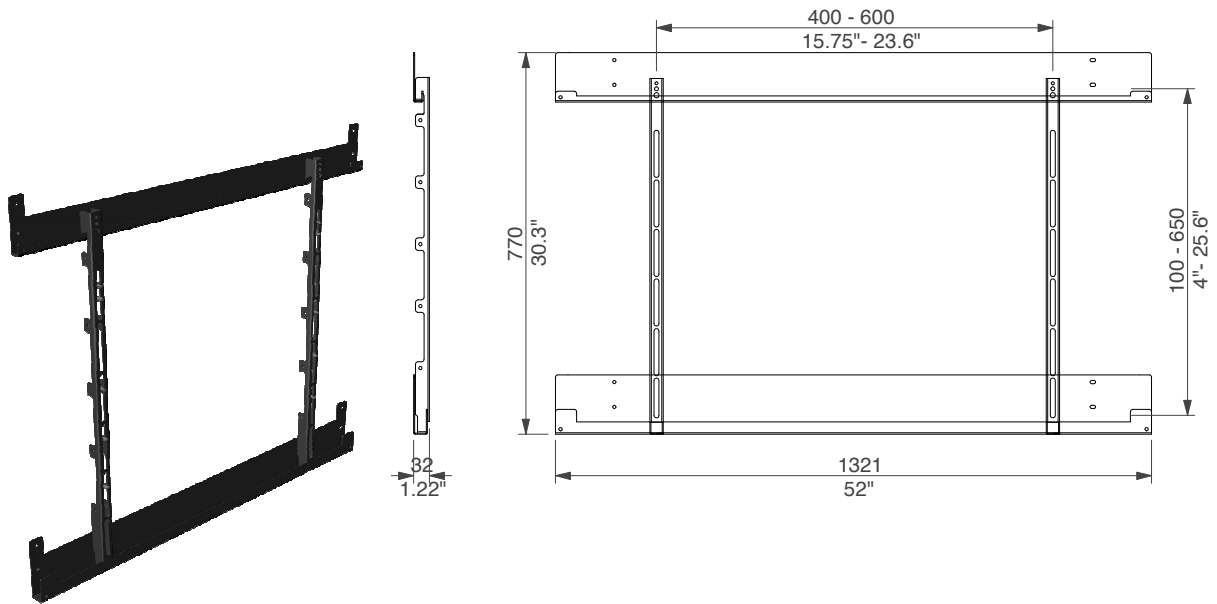
Mount the wall frame covers (3): Slide them in from the top, make sure the tabs at the bottom (5) slide in to the slots. Tighten the screws front (1) and side (2)



Mount the application frame cover (optional), tighten the 2 screws on either side at the indicated positions.

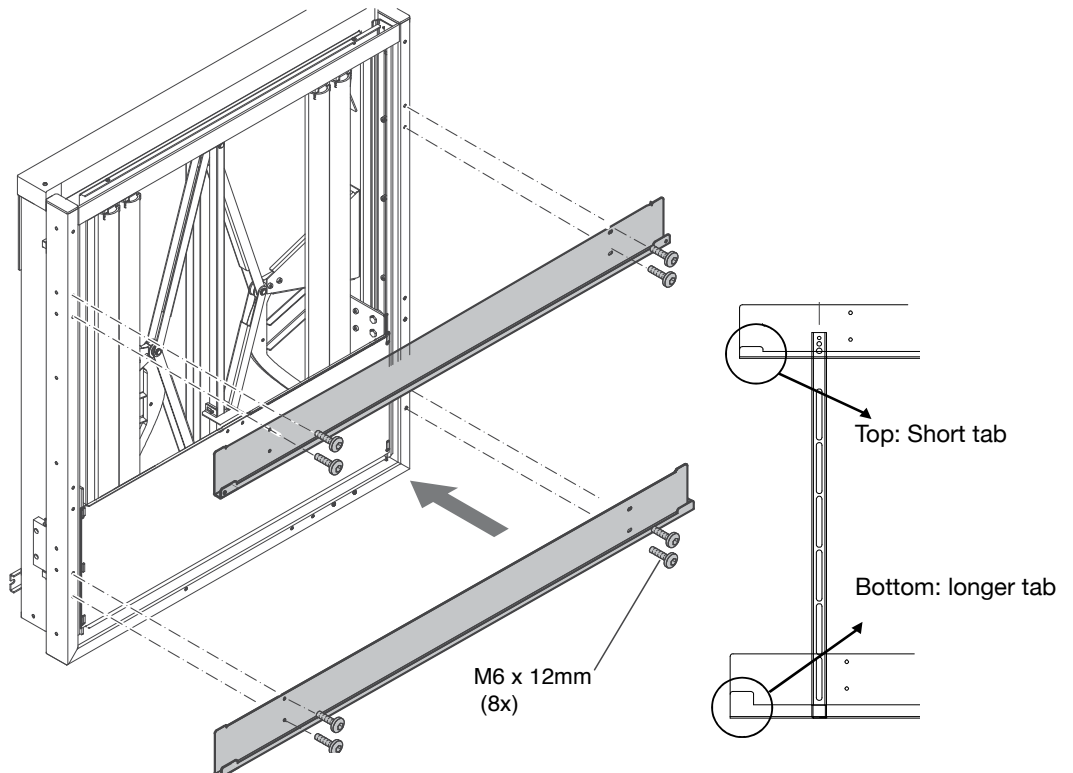


Mounting VESA Bracket to EZ-Touch # EZ1/MA3

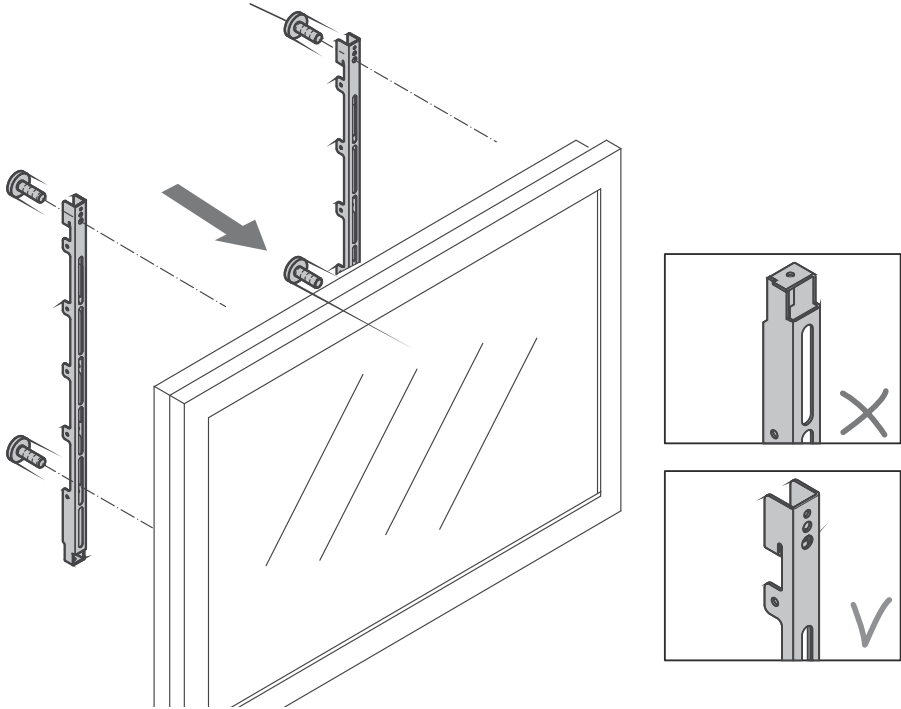


Mount the horizontal profiles to the EZ-Touch.

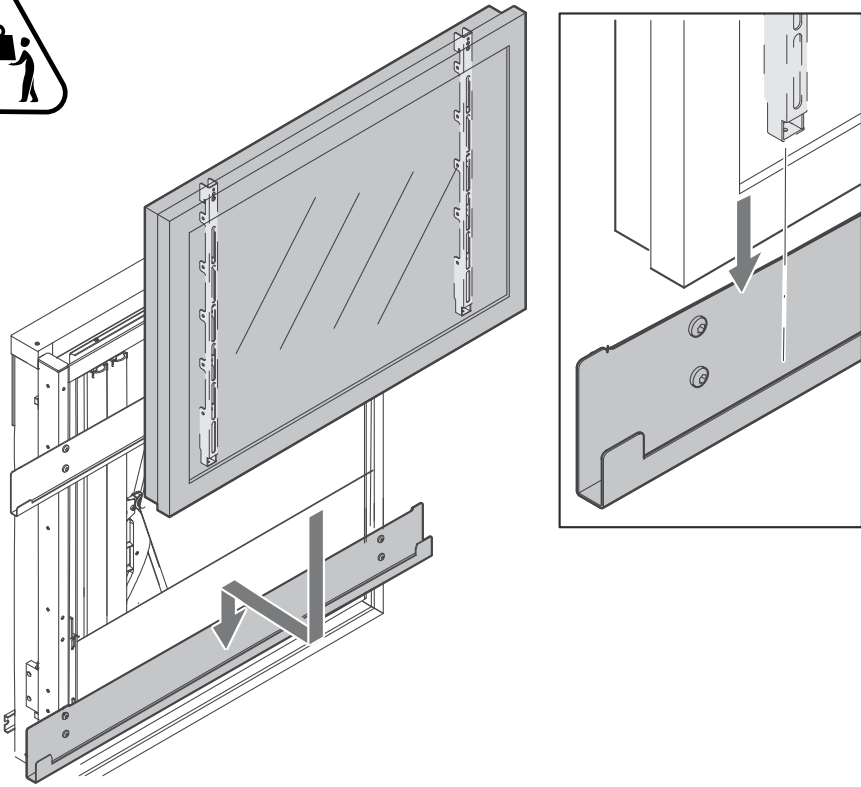
NOTE: top and bottom profiles are different



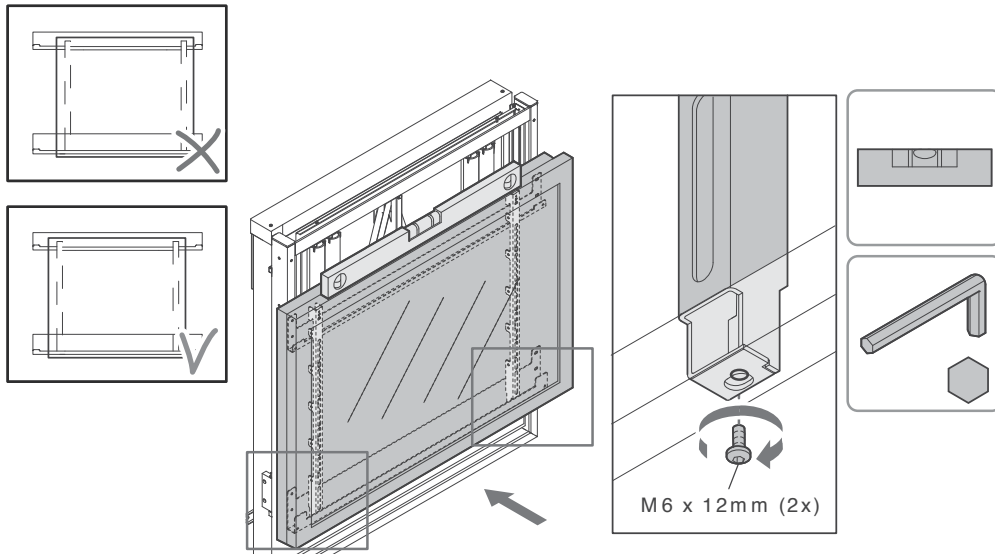
Mount the vertical profiles to the touch panel. Metric hardware 6, 8 and 10 mm included NOTE: holes at the top



Lift the panel on to the EZ- Touch. NOTE: Flat against the brackets, then lower it **HEAVY: TWO PERSON JOB**



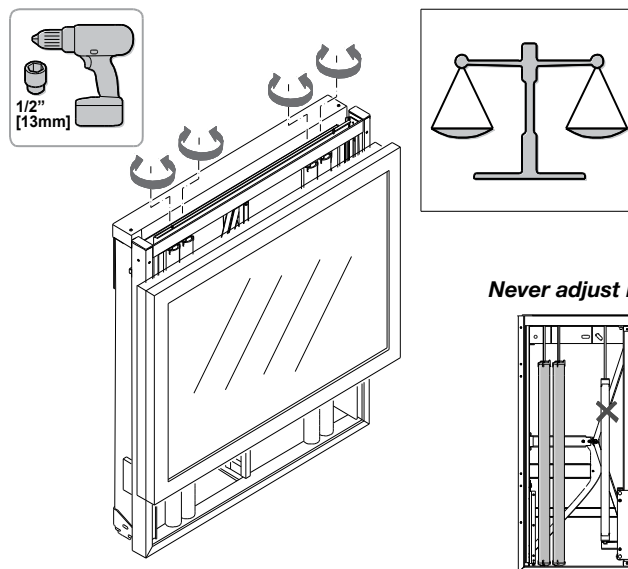
Center the touch panel on the EZ-Touch



Now secure the assembly by inserting the security screws from the bottom and tightening them. Use a 4 mm allen key.

Balancing the EZ-Touch

Balance the weight on the EZ-Touch by loosening (rotate counter clockwise) the 4 outermost bolts. Use a drill driver and a 1/2" or 13 mm socket. Undo each bolt 5 seconds in turn until the panel is balancing. Fine-tune the balance.



SALAMANDER
DESIGNS

LIMITED WARRANTY FOR COMMERCIAL VIDEO DISPLAY STANDS AND MOUNTS

Salamander warrants against manufacturing defects for two (2) years from the date of purchase. Salamander will repair or replace, at our option, any product defective in materials or craftsmanship. Batteries are not covered by the warranty.

Full warranty including limitations and warranty claim information may be found at www.salamandercommercial.com

Subject to printing errors and technical amendments.