



USER MANUAL

EZ-TOUCH SERIES INTERACTIVE WALL MOUNTS

EZ1/ML145

Bundle

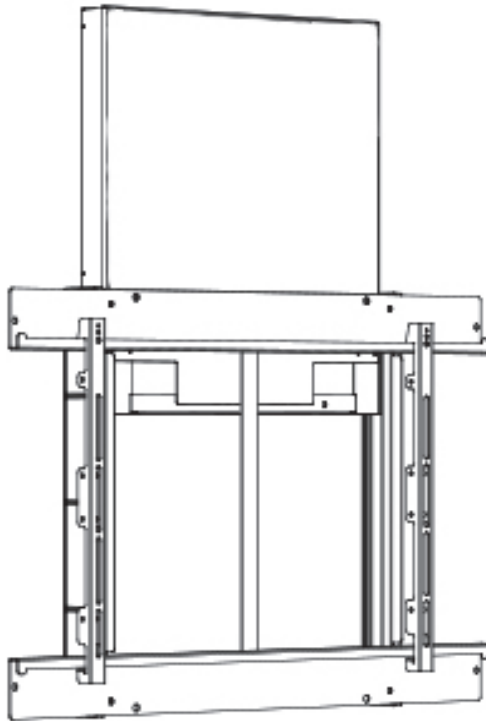
Consists of:

EZ1/MB16/154

Mount Body

EZ1/MA1

VESA Bracket



CAPACITY

Displays up to **81-145 lbs (37-66 kg)**

VESA Mounting

M4, M6, or M8 Fasteners
Horizontal - 200-800mm
Vertical - 100-440mm

EZ1/MLT112

Bundle

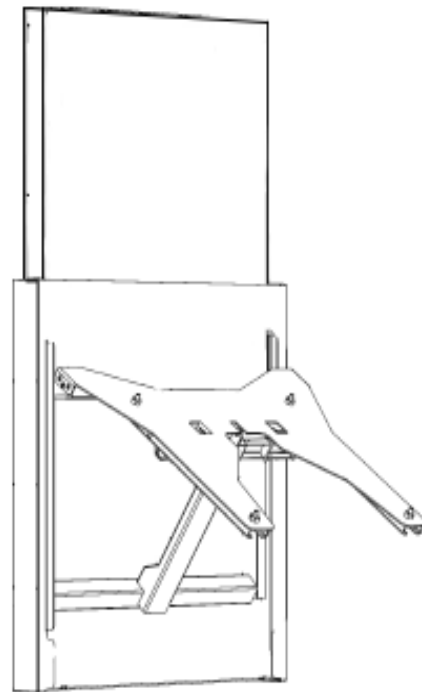
Consists of:

EZ1/MB16/154

Mount Body

EZ1/MA2

VESA Tilt Frame



CAPACITY

Displays up to **48-112 lbs (22-51 kg)**

VESA Mounting

M6 or M8 Fasteners
Horizontal - 400, 600mm
Vertical - 400mm

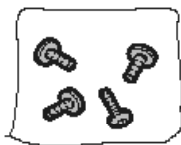
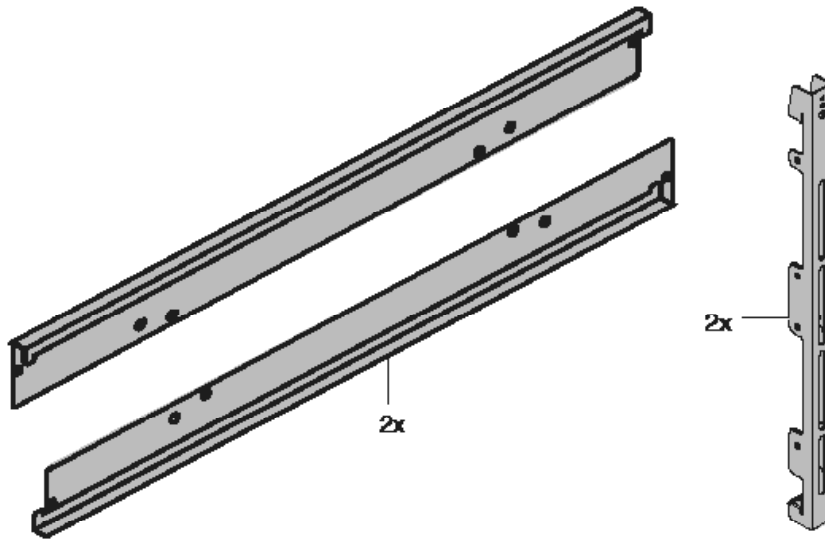
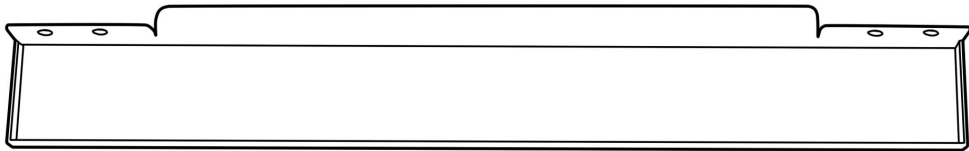
Note: *Some display panels are not designed for horizontal or drafting positions. Check display manufacturer for details.*

PARTS - EZ1/ML145

A



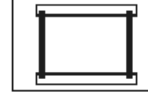
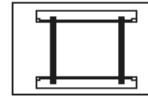
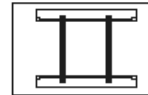
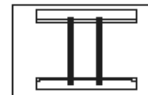
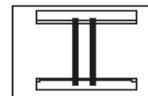
B x 2



M 8 x 10 m m (4 x)



**M 4 x 12 m m (10 x)
or M 6 x 12 m m (10 x)
or M 8 x 12 m m (10 x)**

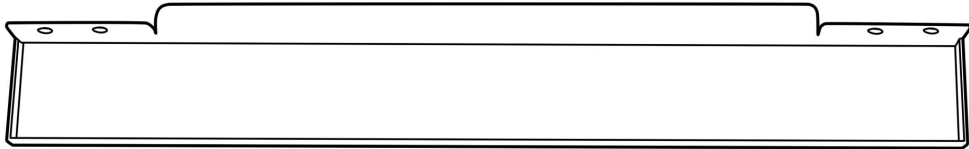


PARTS - EZ1/MLT112

A



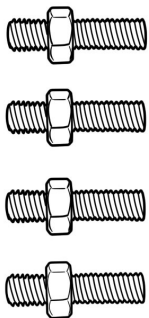
B (2x)



C (2x)

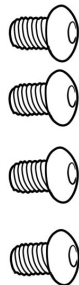


D



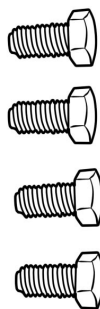
M6

E



M8

F



M8

G



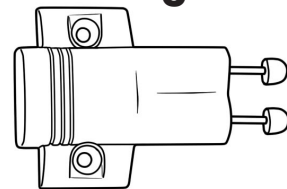
H



I



J

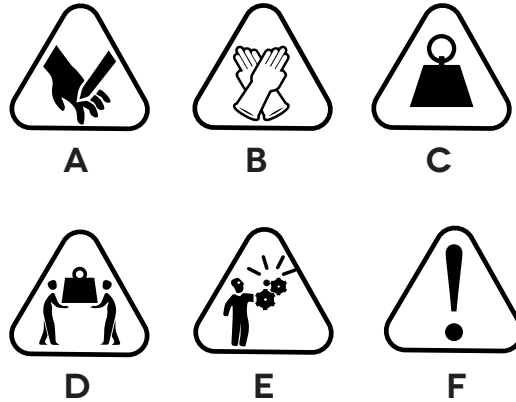


How to use this manual

- 1 Read manual carefully before you install the mount
- 2 Carry out the actions fully and in the given sequence
- 3 The mount guarantee is voided if the product is not correctly installed or modified in any way

Warning symbols used

- A Sharp edges
- B Wear glove
- C Physical load
- D Two people required
- E Entanglement hazard
- F Warning: Can cause personal injury or equipment damage



Intended use

The EZ-Touch Mount is a system that compensates the mass of vertically moving displays to ease vertical movement of the display.

General warning

The display may only be attached to or removed from the EZ-Touch when the EZ-Touch is in closed position. The EZ-Touch is under strong spring force. Only operate the EZ-Touch with an adequately balanced display attached to the display frame. Do not remove any parts of the EZ-Touch. Only the finishing cover can be removed.

Mounting fasteners

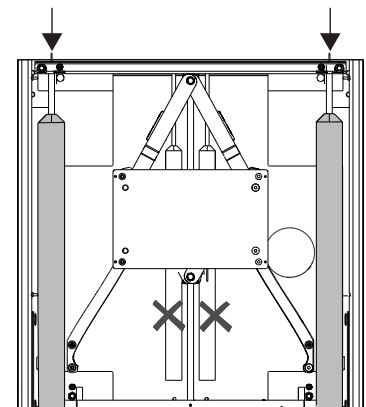
Mounting fasteners are not included with the product. Obtain advice from a specialist.

Setting the springs

Adjust only the outer springs:

- Adjust the height of the outer springs equally
- Make sure that the height of the display is balanced
- Increase the spring tension as much as possible
- Make sure that the display does not move up

Never adjust the inner springs



Disposal of the EZ-Touch

Springs should be unattached before disposal of the EZ-Touch. Sort the EZ-Touch, the accessories and the packaging for environmentally friendly recycling.

Installation of EZ1/MB16/154 Mount Body Prepare Mounting Site



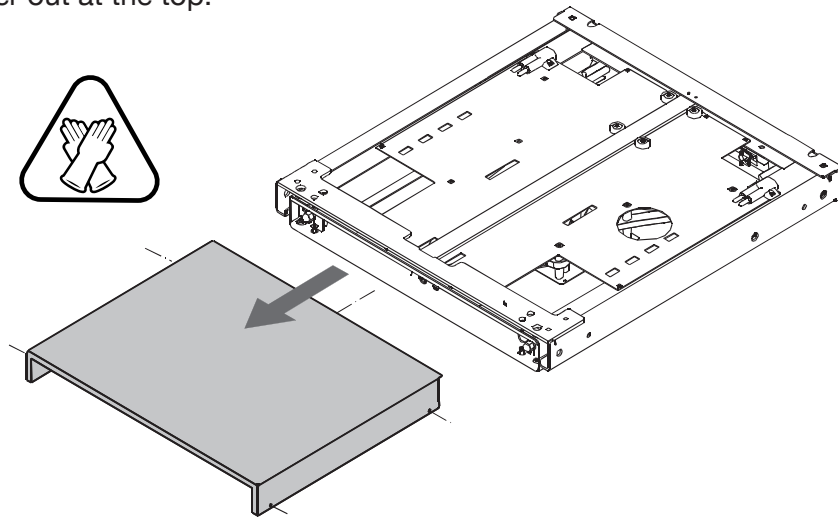
WARNING: IMPROPER INSTALLATION CAN LEAD TO MOUNT FALLING CAUSING SERIOUS PERSONAL INJURY OR DAMAGE TO EQUIPMENT! It is the installers responsibility to make sure the structure to which the EZ-Touch is being installed is capable of supporting three times the combined weight of the EZ-Touch and all attached equipment is not to exceed the following weight capacities: The EZ-Touch was designed to be installed on a 16" on center 2" x 4" wood stud, metal stud or a solid masonry wall using high-quality hollow wall anchors in the center of the studs or solid masonry wall.



WARNING: INSTALLING THE MOUNT IN UNDERRATED OR DAMAGED CONCRETE CAN LEAD TO SERIOUS INJURY OR DAMAGE TO PRODUCT! When installing into concrete only install the mount in a solid concrete wall made of 2500 PSI (17.3 MPa) or stronger concrete. Never install the mount into cracked, chipped or flaking concrete.

Mounting EZ1-Touch Mount Body to Wall

Unpack the EZ1-Touch and remove the Wall frame cover and its bag of screws. Slide the cover out at the top.



Locating your mount

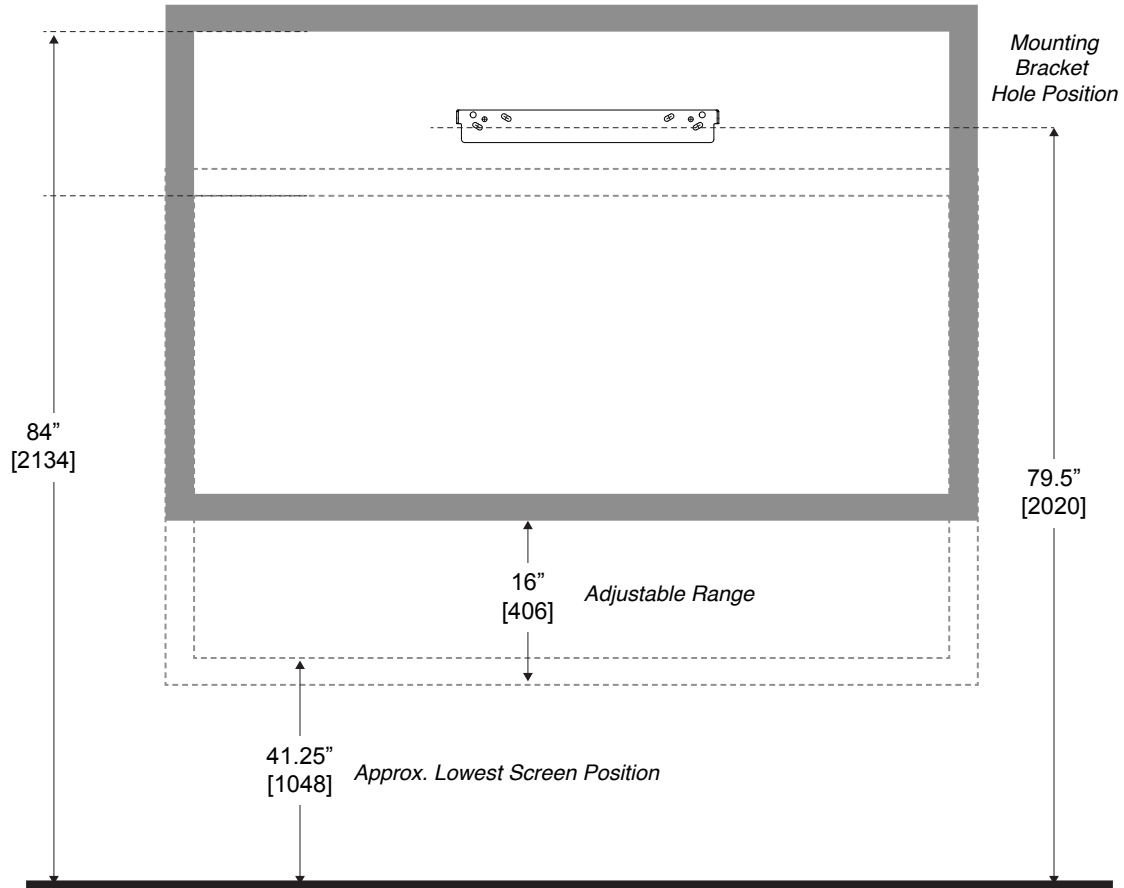
WOOD CONSTRUCTION: locate two framing studs (minimum of 16" (405 mm) apart) at the desired location using a stud finder device.

MASONRY:

A minimum width of 16" (405 mm) is required between fasteners.

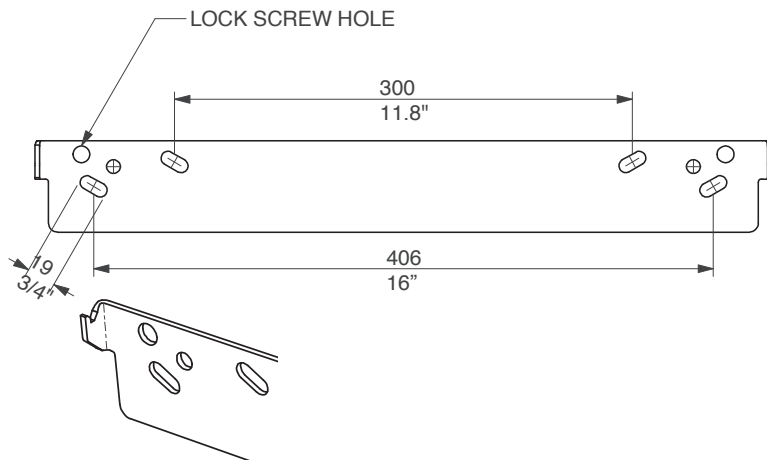
Determine mounting height

See below for recommended mounting height for 55" Display. For other size displays please use our mounting height calculator found at www.salamandercommercial.com.

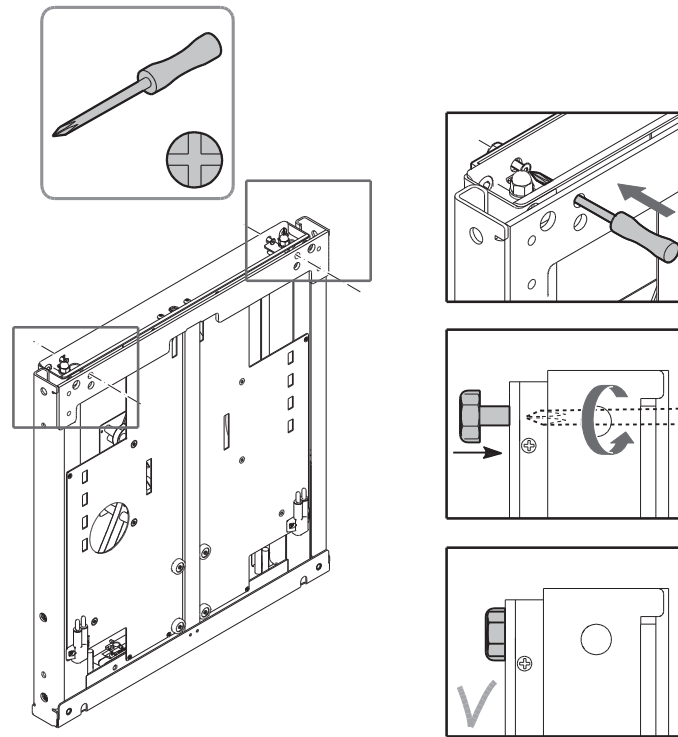


Mounting bracket level to wall

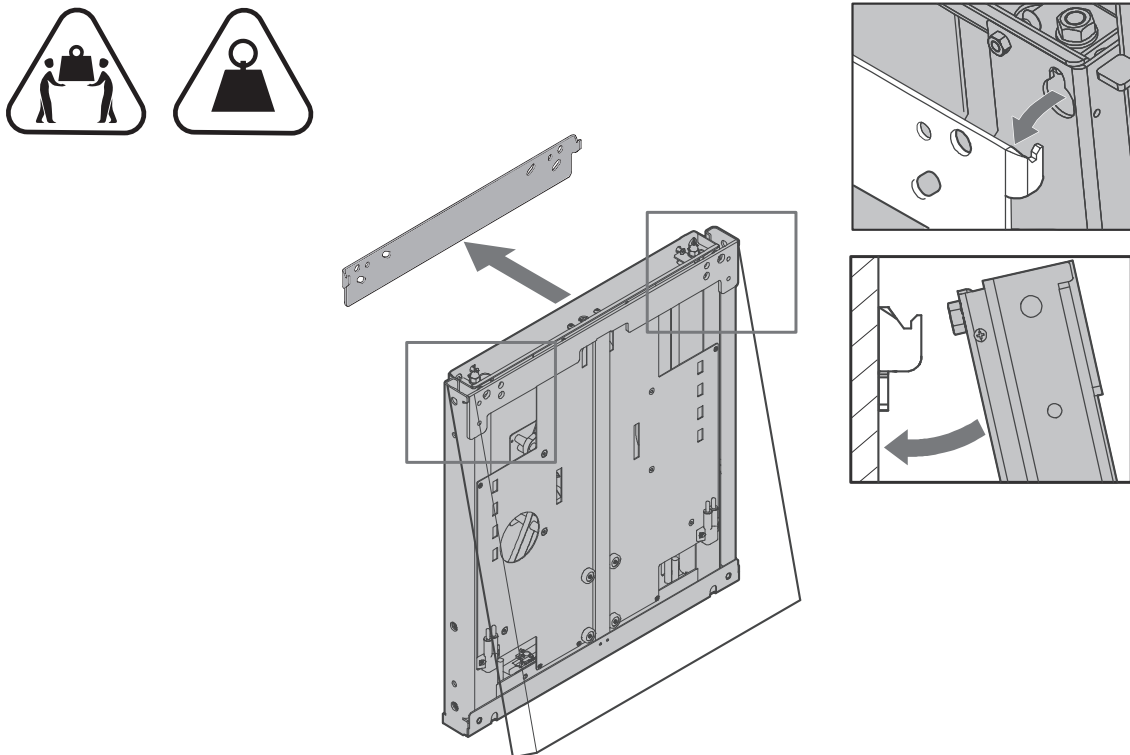
Take the wall bracket out (A) of the box. Note the slotted/slanted holes for level wall mounting.



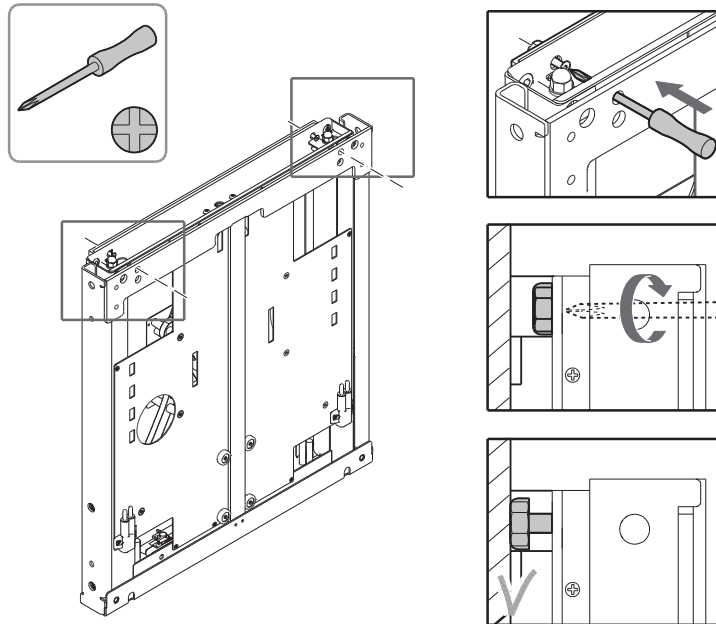
Make sure security screws are unlocked



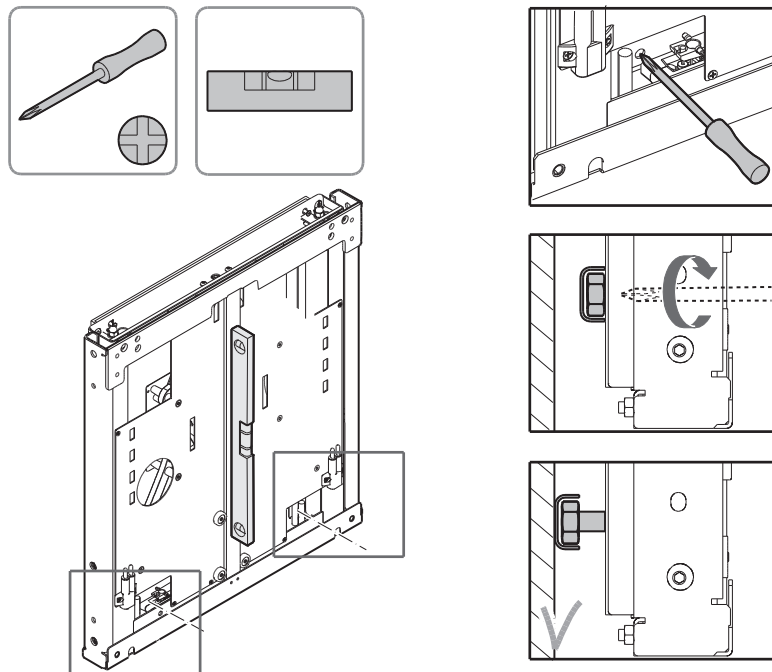
Lift the mount onto bracket



Lock mount with security screws

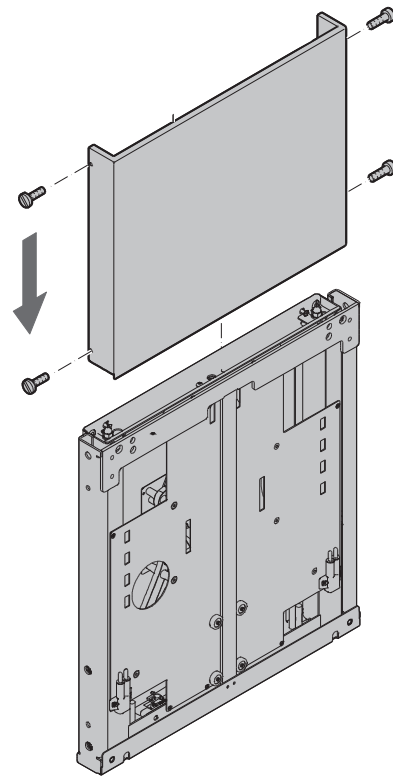
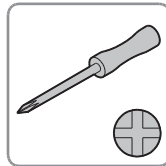


Level vertically with feet at the bottom



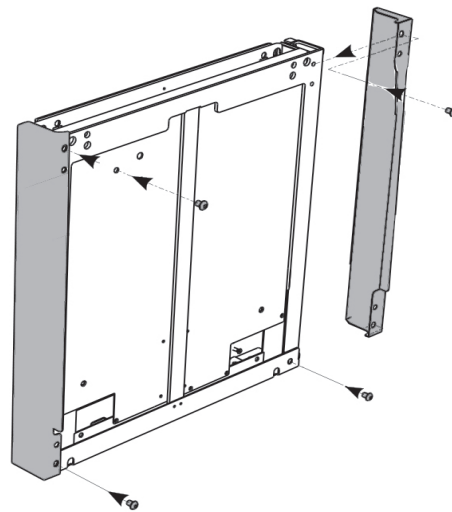
For assembly of EZ1/MLT112 skip to page 12 in this document. Continue below for EZ1/ML145

Mount wall cover

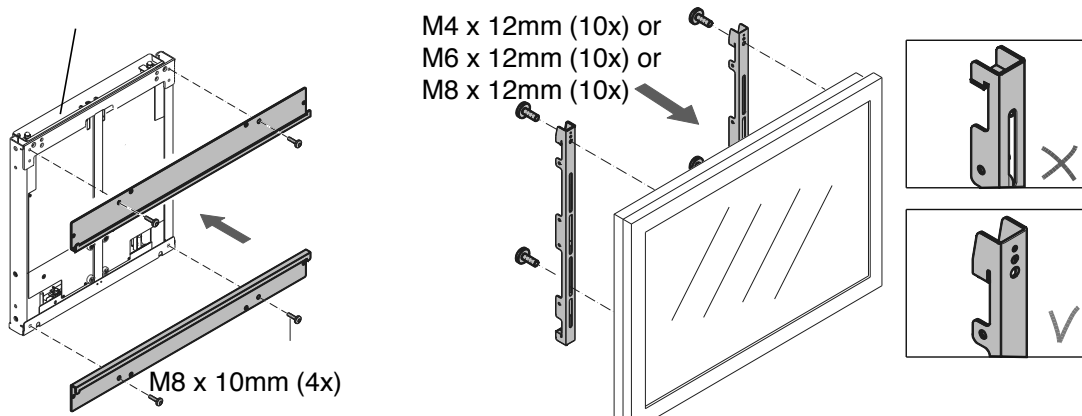


Installation of EZ1/MA1 Vesa Bracket

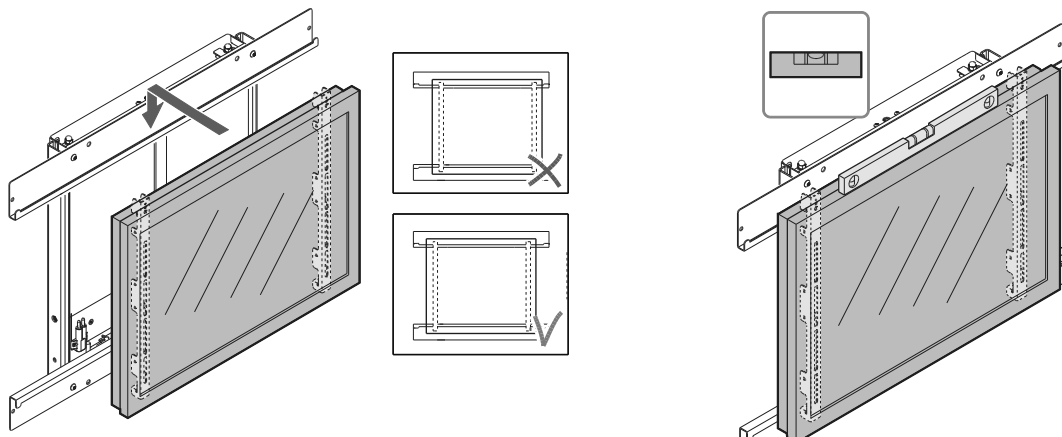
Attach the side covers (B)



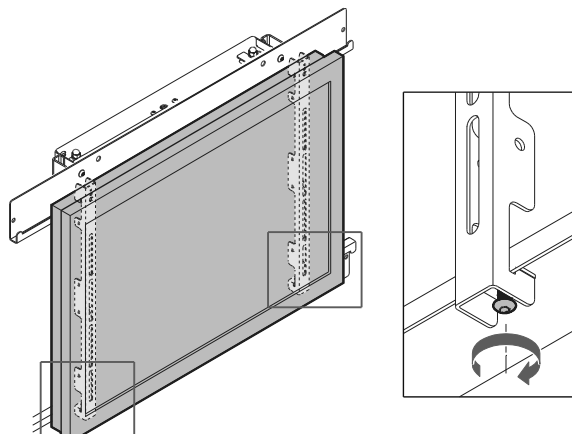
Attach brackets to mount and display



Hang display onto horizontal bracket and level

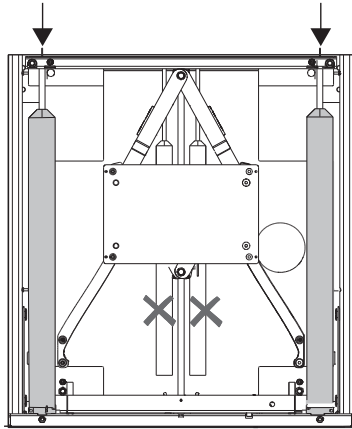


Lock display with safety lock screws from the bottom

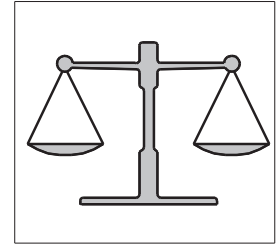
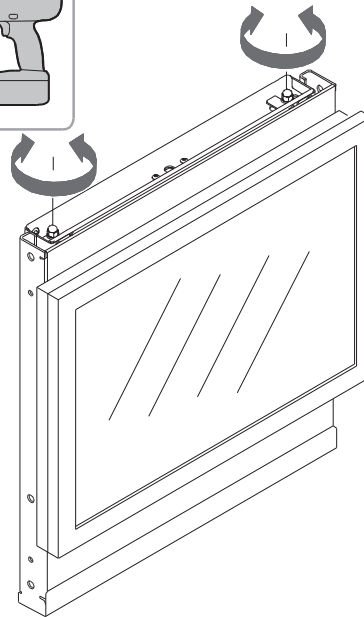
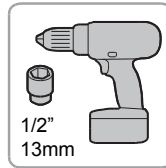


Set balance

Balancing: Springs are always fully tightened for safety. Use a drill driver and 1/2" (13 mm) socket, rotate counter clockwise (loosen). Do three seconds left and three seconds right until the application starts to lower. Now tighten until balanced.

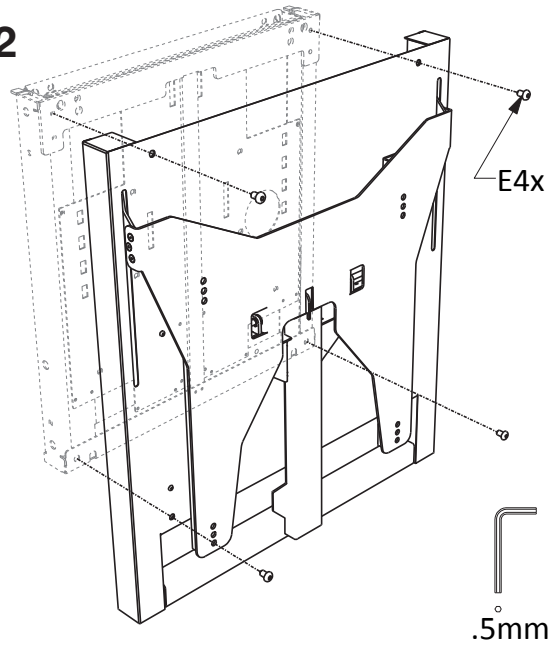


Never adjust the inner springs!

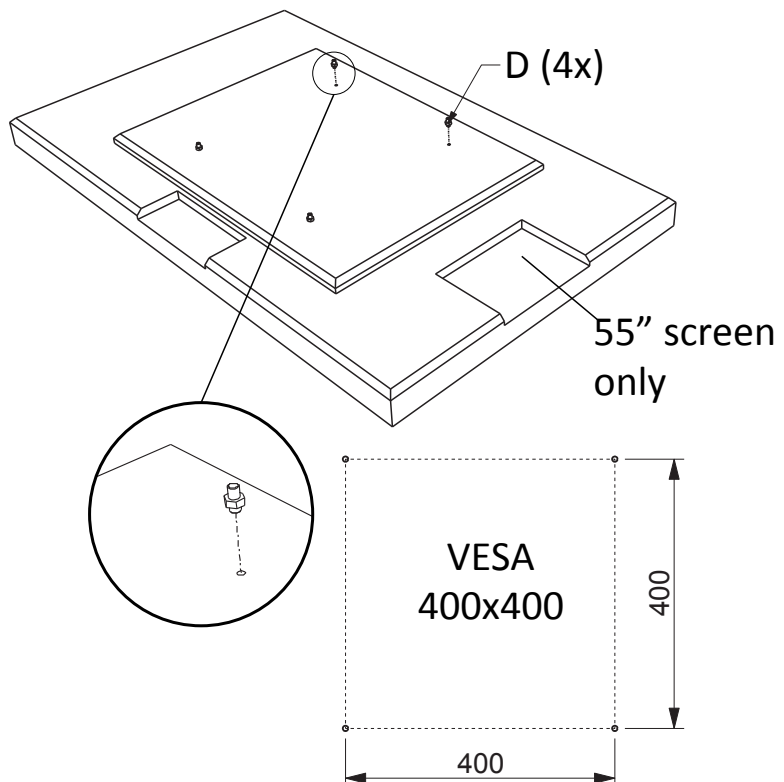


Continued assembly of EZ1/MLT112

Installation of EZ1/MA2 VESA Tilt Frame

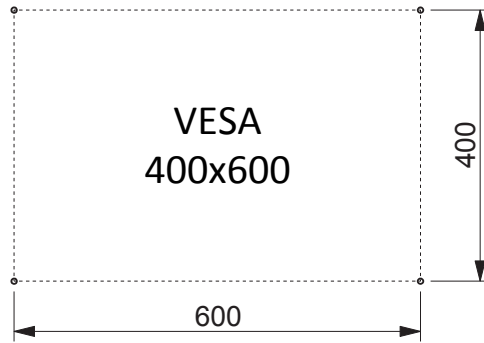
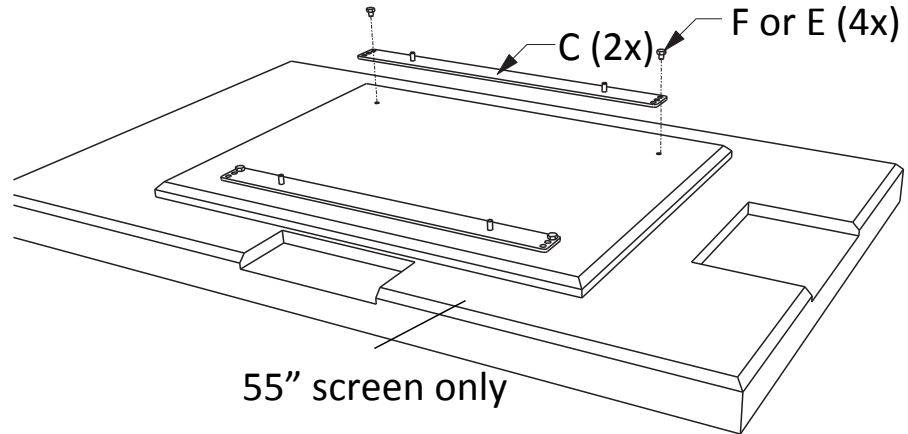


Prepare display with VESA 400x400 M6 fasteners (D)



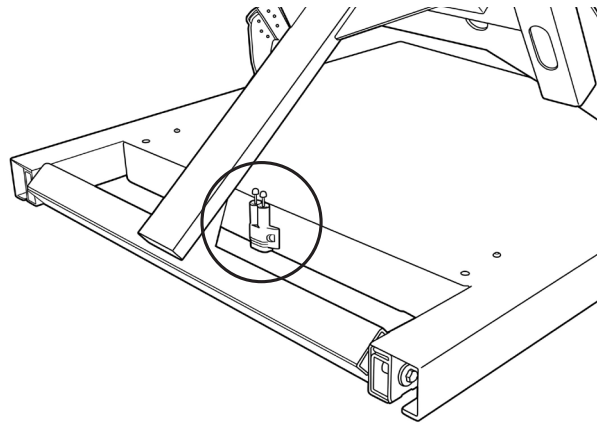
Prepare display with VESA 400x600

M6 or M8 fasteners (E or F)

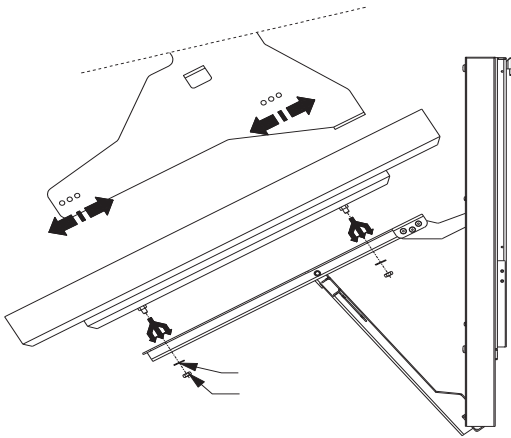


Position the display

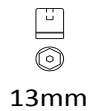
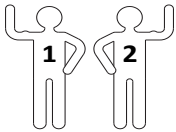
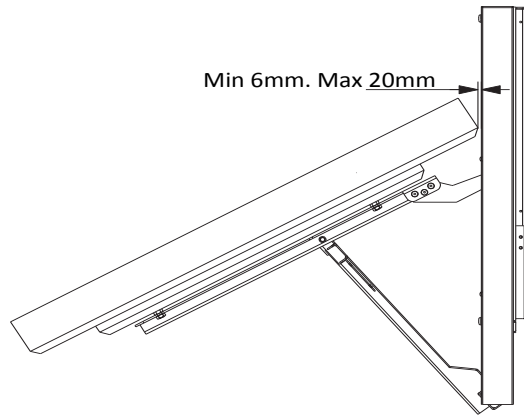
Install shock absorber (J) onto tilt mechanism using supplied screws (I).



Open tilt-frame and position screen on tilt-frame



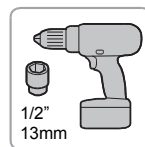
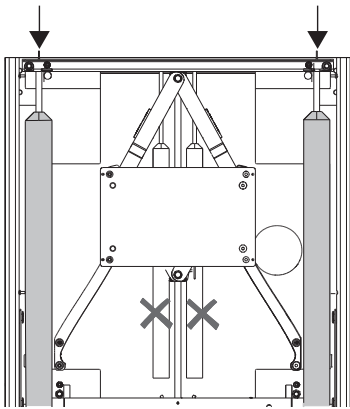
Min 6mm. Max 20mm



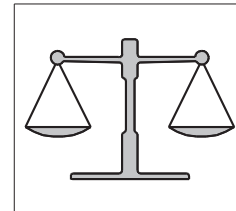
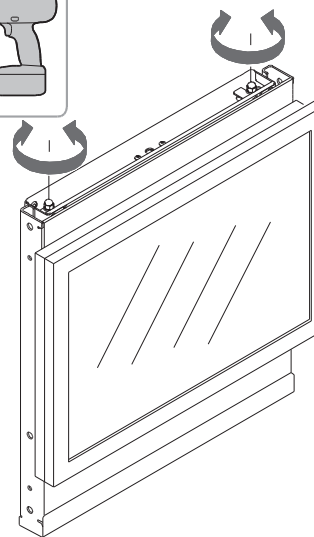
13mm

Set the balance

Balancing: Springs are always fully tightened for safety. Use a drill driver and 1/2" (13 mm) socket, rotate counter clockwise (loosen). Do three seconds to left side and three seconds to the right side until the application starts to lower. Now tighten until balanced.



1/2"
13mm



SALAMANDER
DESIGNS

SALAMANDER WARRANTY
LIMITED WARRANTY FOR COMMERCIAL VIDEO DISPLAY STANDS AND MOUNTS

Salamander warrants against manufacturing defects for two (2) years from the date of purchase. Salamander will repair or replace, at our option, any product defective in materials or craftsmanship. Batteries are not covered by the warranty.

Full warranty including limitations and warranty claim information may be found at www.salamandercommercial.com

Subject to printing errors and technical amendments.