



# Cisco UCS C240 M4 Server Installation and Service Guide

June 21, 2016

Cisco Systems, Inc.  
[www.cisco.com](http://www.cisco.com)

Cisco has more than 200 offices worldwide.  
Addresses, phone numbers, and fax numbers  
are listed on the Cisco website at  
[www.cisco.com/go/offices](http://www.cisco.com/go/offices).

Text Part Number: OL-32474-01

THE SPECIFICATIONS AND INFORMATION REGARDING THE PRODUCTS IN THIS MANUAL ARE SUBJECT TO CHANGE WITHOUT NOTICE. ALL STATEMENTS, INFORMATION, AND RECOMMENDATIONS IN THIS MANUAL ARE BELIEVED TO BE ACCURATE BUT ARE PRESENTED WITHOUT WARRANTY OF ANY KIND, EXPRESS OR IMPLIED. USERS MUST TAKE FULL RESPONSIBILITY FOR THEIR APPLICATION OF ANY PRODUCTS.

THE SOFTWARE LICENSE AND LIMITED WARRANTY FOR THE ACCOMPANYING PRODUCT ARE SET FORTH IN THE INFORMATION PACKET THAT SHIPPED WITH THE PRODUCT AND ARE INCORPORATED HEREIN BY THIS REFERENCE. IF YOU ARE UNABLE TO LOCATE THE SOFTWARE LICENSE OR LIMITED WARRANTY, CONTACT YOUR CISCO REPRESENTATIVE FOR A COPY.

The following information is for FCC compliance of Class A devices: This equipment has been tested and found to comply with the limits for a Class A digital device, pursuant to part 15 of the FCC rules. These limits are designed to provide reasonable protection against harmful interference when the equipment is operated in a commercial environment. This equipment generates, uses, and can radiate radio-frequency energy and, if not installed and used in accordance with the instruction manual, may cause harmful interference to radio communications. Operation of this equipment in a residential area is likely to cause harmful interference, in which case users will be required to correct the interference at their own expense.

The following information is for FCC compliance of Class B devices: This equipment has been tested and found to comply with the limits for a Class B digital device, pursuant to part 15 of the FCC rules. These limits are designed to provide reasonable protection against harmful interference in a residential installation. This equipment generates, uses and can radiate radio frequency energy and, if not installed and used in accordance with the instructions, may cause harmful interference to radio communications. However, there is no guarantee that interference will not occur in a particular installation. If the equipment causes interference to radio or television reception, which can be determined by turning the equipment off and on, users are encouraged to try to correct the interference by using one or more of the following measures:

- Reorient or relocate the receiving antenna.
- Increase the separation between the equipment and receiver.
- Connect the equipment into an outlet on a circuit different from that to which the receiver is connected.
- Consult the dealer or an experienced radio/TV technician for help.

Modifications to this product not authorized by Cisco could void the FCC approval and negate your authority to operate the product.

The Cisco implementation of TCP header compression is an adaptation of a program developed by the University of California, Berkeley (UCB) as part of UCB's public domain version of the UNIX operating system. All rights reserved. Copyright © 1981, Regents of the University of California.

NOTWITHSTANDING ANY OTHER WARRANTY HEREIN, ALL DOCUMENT FILES AND SOFTWARE OF THESE SUPPLIERS ARE PROVIDED "AS IS" WITH ALL FAULTS. CISCO AND THE ABOVE-NAMED SUPPLIERS DISCLAIM ALL WARRANTIES, EXPRESSED OR IMPLIED, INCLUDING, WITHOUT LIMITATION, THOSE OF MERCHANTABILITY, FITNESS FOR A PARTICULAR PURPOSE AND NONINFRINGEMENT OR ARISING FROM A COURSE OF DEALING, USAGE, OR TRADE PRACTICE.

IN NO EVENT SHALL CISCO OR ITS SUPPLIERS BE LIABLE FOR ANY INDIRECT, SPECIAL, CONSEQUENTIAL, OR INCIDENTAL DAMAGES, INCLUDING, WITHOUT LIMITATION, LOST PROFITS OR LOSS OR DAMAGE TO DATA ARISING OUT OF THE USE OR INABILITY TO USE THIS MANUAL, EVEN IF CISCO OR ITS SUPPLIERS HAVE BEEN ADVISED OF THE POSSIBILITY OF SUCH DAMAGES.

CCDE, CCENT, CCSI, Cisco Eos, Cisco Explorer, Cisco HealthPresence, Cisco IronPort, the Cisco logo, Cisco Nurse Connect, Cisco Pulse, Cisco SensorBase, Cisco StackPower, Cisco StadiumVision, Cisco TelePresence, Cisco TrustSec, Cisco Unified Computing System, Cisco WebEx, DCE, Flip Channels, Flip for Good, Flip Mino, Flipshare (Design), Flip Ultra, Flip Video, Flip Video (Design), Instant Broadband, and Welcome to the Human Network are trademarks; Changing the Way We Work, Live, Play, and Learn, Cisco Capital, Cisco Capital (Design), Cisco:Financed (Stylized), Cisco Store, Flip Gift Card, and One Million Acts of Green are service marks; and Access Registrar, Aironet, AllTouch, AsyncOS, Bringing the Meeting To You, Catalyst, CCDA, CCDP, CCIE, CCIP, CCNA, CCNP, CCSP, CCVP, Cisco, the Cisco Certified Internetwork Expert logo, Cisco IOS, Cisco Lumin, Cisco Nexus, Cisco Press, Cisco Systems, Cisco Systems Capital, the Cisco Systems logo, Cisco Unity, Collaboration Without Limitation, Continuum, EtherFast, EtherSwitch, Event Center, Explorer, Follow Me Browsing, GainMaker, iLUNIX, IOS, iPhone, IronPort, the IronPort logo, Laser Link, LightStream, Linksys, MeetingPlace, MeetingPlace Chime Sound, MGX, Networkers, Networking Academy, PCNow, PIX, PowerKEY, PowerPanels, PowerTV, PowerTV (Design), PowerVu, Prisma, ProConnect, ROSA, SenderBase, SMARTnet, Spectrum Expert, StackWise, WebEx, and the WebEx logo are registered trademarks of Cisco and/or its affiliates in the United States and certain other countries.

Cisco and the Cisco Logo are trademarks of Cisco Systems, Inc. and/or its affiliates in the U.S. and other countries. A listing of Cisco's trademarks can be found at [www.cisco.com/go/trademarks](http://www.cisco.com/go/trademarks). Third party trademarks mentioned are the property of their respective owners. The use of the word partner does not imply a partnership relationship between Cisco and any other company. (1005R)

Any Internet Protocol (IP) addresses and phone numbers used in this document are not intended to be actual addresses and phone numbers. Any examples, command display output, network topology diagrams, and other figures included in the document are shown for illustrative purposes only. Any use of actual IP addresses or phone numbers in illustrative content is unintentional and coincidental.

*Cisco UCS C240 M4 Server Installation and Service Guide*  
© 2016 Cisco Systems, Inc. All rights reserved.



**Preface ix**

Audience ix

Conventions ix

Related Documentation xv

Documentation Feedback xv

Obtaining Documentation and Submitting a Service Request xv

---

CHAPTER 1

**Overview 1-1**

External Features Overview 1-1

Replaceable Component Locations 1-7

Summary of Server Features 1-8

---

CHAPTER 2

**Installing the Server 2-1**

Unpacking and Inspecting the Server 2-2

Preparing for Server Installation 2-3

Installation Guidelines 2-3

Rack Requirements 2-4

Equipment Requirements 2-4

Supported Slide Rail Kits 2-4

Slide Rail Adjustment Range and Cable Management Arm Dimensions 2-4

Installing the Server In a Rack 2-5

Installing the Slide Rails 2-5

Installing the Cable Management Arm (Optional) 2-8

Reversing the Cable Management Arm (Optional) 2-9

Initial Server Setup 2-10

Connecting and Powering On the Server (Standalone Mode) 2-10

Local Connection Procedure 2-10

Remote Connection Procedure 2-11

Cisco IMC Configuration Utility Setup 2-12

NIC Modes and NIC Redundancy Settings 2-14

NIC Modes 2-14

NIC Redundancy 2-14

System BIOS and Cisco IMC Firmware 2-15  
 Updating the BIOS and Cisco IMC Firmware 2-15  
 Accessing the System BIOS 2-16

CHAPTER 3

**Maintaining the Server 3-1**

Server Monitoring and Management Tools 3-1  
 Cisco Integrated Management Interface 3-1  
 Server Configuration Utility 3-1

Status LEDs and Buttons 3-2  
 Front Panel LEDs 3-2  
 Rear Panel LEDs and Buttons 3-5  
 Internal Diagnostic LEDs 3-8

Preparing for Server Component Installation 3-9  
 Required Equipment 3-9  
 Shutting Down and Powering Off the Server 3-9  
 Removing and Replacing the Server Top Cover 3-10  
 Serial Number Location 3-12  
 Hot-Swap or Hot-Plug Replacement 3-12

Installing or Replacing Server Components 3-13  
 Replaceable Component Locations 3-14  
 Replacing SAS/SATA Hard Drives or Solid State Drives 3-15  
 SAS/SATA Drive Population Guidelines 3-15  
 Replacing SAS/SATA Drives 3-18  
 Replacing NVMe PCIe Solid State Drives 3-19  
 NVMe PCIe SSD Population Guidelines 3-19  
 NVMe PCIe SSD Requirements and Restrictions 3-19  
 Replacing an NVMe PCIe SSD 3-19  
 Installing a PCIe Interposer Board 3-20

Replacing Fan Modules 3-23  
 Replacing DIMMs 3-25  
 Memory Performance Guidelines and Population Rules 3-25  
 DIMM Replacement Procedure 3-28

Replacing CPUs and Heatsinks 3-29  
 Special Information For Upgrades to Intel Xeon v4 CPUs 3-29  
 CPU Configuration Rules 3-29  
 Replacing a CPU and Heatsink 3-30  
 Additional CPU-Related Parts to Order with RMA Replacement Motherboards 3-33

Replacing a SATA Interposer Board 3-34  
 Replacing a Cisco Modular RAID Controller Card 3-36

RAID Card Firmware Compatibility	3-36
Replacement Procedure	3-36
Replacing a Modular RAID Controller Transportable Memory Module (TMM)	3-38
Replacing the Supercap Power Module (RAID Backup Battery)	3-40
Replacing a Software RAID 5 Key Module	3-42
Replacing the Motherboard RTC Battery	3-44
Replacing an Internal SD Card	3-45
Enabling or Disabling the Internal USB Port	3-46
Replacing a PCIe Riser	3-47
Replacing a PCIe Card	3-49
PCIe Slots	3-49
Replacing a PCIe Card	3-51
Special Considerations for Cisco UCS Virtual Interface Cards	3-53
Special Considerations for Cisco UCS Fusion ioMemory3 Storage Accelerator Cards	3-54
Installing Multiple PCIe Cards and Resolving Limited Resources	3-55
Installing an NVIDIA GPU Card	3-57
Replacing Internal SATA Boot Drives	3-57
Replacing an Internal SATA Boot Drive	3-57
Installing a Trusted Platform Module (TPM)	3-59
TPM 2.0 Considerations	3-59
Installing the TPM Hardware	3-60
Enabling TPM Support in the BIOS	3-62
Enabling the Intel TXT Feature in the BIOS	3-63
Replacing Power Supplies	3-64
Replacing an AC Power Supply	3-64
Replacing a DC Power Supply	3-65
Installing a Version 2 930W DC Power Supply, UCSC-PSU2V2-930DC	3-66
Installing a Version 1 930W DC Power Supply, UCSC-PSU-930WDC	3-67
Installation Grounding	3-68
Replacing an mLOM Card	3-69
Service DIP Switches	3-71
DIP Switch Location on the Motherboard	3-71
Using the BIOS Recovery DIP Switch	3-72
Procedure 1: Reboot with recovery.cap File	3-72
Procedure 2: Use BIOS Recovery DIP switch and recovery.cap File	3-73
Using the Clear Password DIP Switch	3-74
Using the Clear CMOS DIP Switch	3-75

APPENDIX A

**Server Specifications** A-1

- Physical Specifications A-1
- Power Specifications A-2
  - 650 W AC Power Supply A-2
  - 1200 W AC Power Supply A-3
  - 1400 W AC Power Supply A-4
  - 930 W DC (Version 2) Power Supply, UCSC-PSU2V2-930DC A-5
  - 930 W DC (Version 1) Power Supply, UCSC-PSU-930WDC A-5
- Environmental Specifications A-6

APPENDIX B

**Power Cord Specifications** B-1

- Supported Power Cords and Plugs B-1
- AC Power Cord Illustrations B-3

APPENDIX C

**RAID Controller Considerations** C-1

- Supported RAID Controllers and Required Cables C-2
- RAID Card Firmware Compatibility C-3
  - Write-Cache Policy for Cisco 12G SAS Modular RAID Controller C-3
- Support Matrix For Cisco UCS C240 M4 Server RAID Controllers C-4
- Cisco UCS SAS 9300-8e HBA Considerations C-4
  - Mixing Rules C-4
  - Cisco UCS 9300-8e Bad Drive and Predictive Failure Behavior C-4
  - Setting the Preferred Boot Device for Cisco UCS 9300-8e C-5
- Mixing Drive Types in RAID Groups C-6
- RAID Backup Units C-6
- RAID Controller Cabling C-7
  - Cable Routing C-7
  - Cisco UCS C240 M4 Server RAID Controller Cabling Instructions C-8
    - SFF 8-Drive Direct-Connect Backplane, No Expander C-8
    - SFF 16-Drive Backplane with Integrated Expander C-8
    - SFF 24-Drive Backplane with Expander Cabling C-9
    - LFF 12-Drive Backplane with Expander C-9
- Embedded SATA RAID Controller C-10
  - Embedded SATA RAID Controller Requirements For Front-Facing Drive Control C-10
  - Embedded SATA RAID: Two SATA Controllers C-11
  - Embedded SATA RAID Controller Considerations C-12
  - Installing a SATA Interposer Board For Front-Facing Drive Control C-12
  - Installing a Software RAID 5 Key Module for Embedded RAID 5 Support C-12

Enabling the Embedded RAID Controller in the BIOS	C-13
Enabling SATA Mode and Selecting Option ROM Mode	C-13
Disabling the Embedded RAID Controller in the BIOS	C-14
Launching the LSI Embedded MegaRAID Configuration Utilities	C-14
Installing LSI MegaSR Drivers For Windows and Linux	C-15
Downloading the LSI MegaSR Drivers	C-15
Microsoft Windows Driver Installation	C-16
Linux Driver Installation	C-18
Restoring RAID Configuration After Replacing a RAID Controller	C-23
For More Information	C-24

---

 APPENDIX D

**GPU Card Installation** D-1

Overview of Server Firmware Requirements	D-1
GPU Card Configuration Rules	D-2
Requirement For All Supported GPUs: Memory-Mapped I/O Greater than 4 GB	D-3
Replacing a GPU Card (Less Than 300 W)	D-4
Installing an NVIDIA K80 GPU Card and 300 W GPU Conversion Kit	D-6
Installing a Tesla M60 GPU Card and 300 W GPU Conversion Kit	D-13
Installation Overview	D-13
Installing the NVIDIA M60 Hardware	D-13
NVIDIA GRID License Server Overview	D-21
Registering Your Product Activation Keys With NVIDIA	D-22
Downloading the GRID Software Suite	D-22
Installing NVIDIA GRID License Server Software	D-23
Installing GRID Licenses From the NVIDIA Licensing Portal to the License Server	D-25
Managing GRID Licenses	D-27
Switching Between Compute Mode and Graphics Mode	D-29
Installing Drivers to Support the NVIDIA GPU Cards	D-31
For More Information	D-32

---

 APPENDIX E

**Installation for Cisco UCS Manager Integration** E-1







# Preface

---

This preface describes the audience, organization, and conventions of the *Cisco UCS C240 M4 Server Installation and Service Guide*. It also provides information about how to obtain related documentation.

## Audience

This guide is for experienced network administrators who configure and maintain Cisco servers.

## Conventions

This document uses the following conventions for notes, cautions, and safety warnings. Notes and cautions contain important information that you should know.



**Note**

---

Means *reader take note*. Notes contain helpful suggestions or references to material that are not covered in the publication.

---



**Caution**

---

Means *reader be careful*. Cautions contain information about something you might do that could result in equipment damage or loss of data.

---

Safety warnings appear throughout this guide in procedures that, if performed incorrectly, can cause physical injuries. A warning symbol precedes each warning statement.



Warning

## IMPORTANT SAFETY INSTRUCTIONS

This warning symbol means danger. You are in a situation that could cause bodily injury. Before you work on any equipment, be aware of the hazards involved with electrical circuitry and be familiar with standard practices for preventing accidents. Use the statement number provided at the end of each warning to locate its translation in the translated safety warnings that accompanied this device. Statement 1071

### SAVE THESE INSTRUCTIONS

Waarschuwing

## BELANGRIJKE VEILIGHEIDSINSTRUCTIES

Dit waarschuwingssymbool betekent gevaar. U verkeert in een situatie die lichamelijk letsel kan veroorzaken. Voordat u aan enige apparatuur gaat werken, dient u zich bewust te zijn van de bij elektrische schakelingen betrokken risico's en dient u op de hoogte te zijn van de standaard praktijken om ongelukken te voorkomen. Gebruik het nummer van de verklaring onderaan de waarschuwing als u een vertaling van de waarschuwing die bij het apparaat wordt geleverd, wilt raadplegen.

### BEWAAR DEZE INSTRUCTIES

Varoitus

## TÄRKEITÄ TURVALLISUUSOHJEITA

Tämä varoitusmerkki merkitsee vaaraa. Tilanne voi aiheuttaa ruumiillisia vammoja. Ennen kuin käsittelet laitteistoa, huomioi sähköpiirien käsittelemiseen liittyvät riskit ja tutustu onnettomuuksien yleisiin ehkäisytapoihin. Turvallisuusvaroitusten käännökset löytyvät laitteen mukana toimitettujen käännettyjen turvallisuusvaroitusten joukosta varoitusten lopussa näkyvien lausuntonumeroiden avulla.

### SÄILYTÄ NÄMÄ OHJEET

Attention

## IMPORTANTES INFORMATIONS DE SÉCURITÉ

Ce symbole d'avertissement indique un danger. Vous vous trouvez dans une situation pouvant entraîner des blessures ou des dommages corporels. Avant de travailler sur un équipement, soyez conscient des dangers liés aux circuits électriques et familiarisez-vous avec les procédures couramment utilisées pour éviter les accidents. Pour prendre connaissance des traductions des avertissements figurant dans les consignes de sécurité traduites qui accompagnent cet appareil, référez-vous au numéro de l'instruction situé à la fin de chaque avertissement.

### CONSERVEZ CES INFORMATIONS

Warnung

## WICHTIGE SICHERHEITSHINWEISE

Dieses Warnsymbol bedeutet Gefahr. Sie befinden sich in einer Situation, die zu Verletzungen führen kann. Machen Sie sich vor der Arbeit mit Geräten mit den Gefahren elektrischer Schaltungen und den üblichen Verfahren zur Vorbeugung vor Unfällen vertraut. Suchen Sie mit der am Ende jeder Warnung angegebenen Anweisungsnummer nach der jeweiligen Übersetzung in den übersetzten Sicherheitshinweisen, die zusammen mit diesem Gerät ausgeliefert wurden.

### BEWAHREN SIE DIESE HINWEISE GUT AUF.

**Avvertenza      IMPORTANTI ISTRUZIONI SULLA SICUREZZA**

Questo simbolo di avvertenza indica un pericolo. La situazione potrebbe causare infortuni alle persone. Prima di intervenire su qualsiasi apparecchiatura, occorre essere al corrente dei pericoli relativi ai circuiti elettrici e conoscere le procedure standard per la prevenzione di incidenti. Utilizzare il numero di istruzione presente alla fine di ciascuna avvertenza per individuare le traduzioni delle avvertenze riportate in questo documento.

**CONSERVARE QUESTE ISTRUZIONI**

**Advarsel      VIKTIGE SIKKERHETSINSTRUKSJONER**

Dette advarselssymbolet betyr fare. Du er i en situasjon som kan føre til skade på person. Før du begynner å arbeide med noe av utstyret, må du være oppmerksom på farene forbundet med elektriske kretser, og kjenne til standardprosedyrer for å forhindre ulykker. Bruk nummeret i slutten av hver advarsel for å finne oversettelsen i de oversatte sikkerhetsadvarslene som fulgte med denne enheten.

**TA VARE PÅ DISSE INSTRUKSJONENE**

**Aviso      INSTRUÇÕES IMPORTANTES DE SEGURANÇA**

Este símbolo de aviso significa perigo. Você está em uma situação que poderá ser causadora de lesões corporais. Antes de iniciar a utilização de qualquer equipamento, tenha conhecimento dos perigos envolvidos no manuseio de circuitos elétricos e familiarize-se com as práticas habituais de prevenção de acidentes. Utilize o número da instrução fornecido ao final de cada aviso para localizar sua tradução nos avisos de segurança traduzidos que acompanham este dispositivo.

**GUARDE ESTAS INSTRUÇÕES**

**¡Advertencia!      INSTRUCCIONES IMPORTANTES DE SEGURIDAD**

Este símbolo de aviso indica peligro. Existe riesgo para su integridad física. Antes de manipular cualquier equipo, considere los riesgos de la corriente eléctrica y familiarícese con los procedimientos estándar de prevención de accidentes. Al final de cada advertencia encontrará el número que le ayudará a encontrar el texto traducido en el apartado de traducciones que acompaña a este dispositivo.

**GUARDE ESTAS INSTRUCCIONES**

**Varning!      VIKTIGA SÄKERHETSANVISNINGAR**

Denna varningssignal signalerar fara. Du befinner dig i en situation som kan leda till personskada. Innan du utför arbete på någon utrustning måste du vara medveten om farorna med elkretsar och känna till vanliga förfaranden för att förebygga olyckor. Använd det nummer som finns i slutet av varje varning för att hitta dess översättning i de översatta säkerhetsvarningar som medföljer denna anordning.

**SPARA DESSA ANVISNINGAR**

**Figyelem FONTOS BIZTONSÁGI ELOÍRÁSOK**

**Ez a figyelmeztető jel veszélyre utal. Sérülésveszélyt rejte helyzetben van. Mielott bármely berendezésen munkát végezte, legyen figyelemmel az elektromos áramkörök okozta kockázatokra, és ismerkedjen meg a szokásos balesetvédelmi eljárásokkal. A kiadványban szereplo figyelmeztetések fordítása a készülékhez mellékelt biztonsági figyelmeztetések között található; a fordítás az egyes figyelmeztetések végén látható szám alapján keresheto meg.**

**ORIZZE MEG EZEKET AZ UTASÍTÁSOKAT!**

**Предупреждение ВАЖНЫЕ ИНСТРУКЦИИ ПО СОБЛЮДЕНИЮ ТЕХНИКИ БЕЗОПАСНОСТИ**

**Этот символ предупреждения обозначает опасность. То есть имеет место ситуация, в которой следует опасаться телесных повреждений. Перед эксплуатацией оборудования выясните, каким опасностям может подвергаться пользователь при использовании электрических цепей, и ознакомьтесь с правилами техники безопасности для предотвращения возможных несчастных случаев. Воспользуйтесь номером заявления, приведенным в конце каждого предупреждения, чтобы найти его переведенный вариант в переводе предупреждений по безопасности, прилагаемом к данному устройству.**

**СОХРАНИТЕ ЭТИ ИНСТРУКЦИИ**

**重要的安全性说明**

此警告符号代表危险。您正处于可能受到严重伤害的工作环境中。在您使用设备开始工作之前，必须充分意识到触电的危险，并熟练掌握防止事故发生的标准工作程序。请根据每项警告结尾提供的声明号码来找到此设备的安全性警告说明的翻译文本。

**请保存这些安全性说明**

**的标准工作程序。详 安全上の重要な注意事項**

「危険」の意味です。人身事故を予防するための注意事項が記述されています。装置の取り扱い作業を行うときは、電気回路の危険性に注意し、一般的な事故防止策に留意してください。警告の各国語版は、各注意事項の番号を基に、装置に付属の「Translated Safety Warnings」を参照してください。

これらの注意事項を保管しておいてください。

**주의 중요 안전 지침**

이 경고 기호는 위험을 나타냅니다. 작업자가 신체 부상을 일으킬 수 있는 위험한 환경에 있습니다. 장비에 작업을 수행하기 전에 전기 회로와 관련된 위험을 숙지하고 표준 작업 관례를 숙지하여 사고를 방지하십시오. 각 경고의 마지막 부분에 있는 경고문 번호를 참조하여 이 장치와 함께 제공되는 번역된 안전 경고문에서 해당 번역문을 찾으십시오.

이 지시 사항을 보관하십시오.

**Aviso INSTRUÇÕES IMPORTANTES DE SEGURANÇA**

Este símbolo de aviso significa perigo. Você se encontra em uma situação em que há risco de lesões corporais. Antes de trabalhar com qualquer equipamento, esteja ciente dos riscos que envolvem os circuitos elétricos e familiarize-se com as práticas padrão de prevenção de acidentes. Use o número da declaração fornecido ao final de cada aviso para localizar sua tradução nos avisos de segurança traduzidos que acompanham o dispositivo.

**GUARDE ESTAS INSTRUÇÕES**

**Advarsel VIGTIGE SIKKERHEDSANVISNINGER**

Dette advarselssymbol betyder fare. Du befinder dig i en situation med risiko for legemeskadedigelse. Før du begynder arbejde på udstyr, skal du være opmærksom på de involverede risici, der er ved elektriske kredsløb, og du skal sætte dig ind i standardprocedurer til undgåelse af ulykker. Brug erklæringsnummeret efter hver advarsel for at finde oversættelsen i de oversatte advarsler, der fulgte med denne enhed.

**GEM DISSE ANVISNINGER**

**تحذير**

**إرشادات الأمان الهامة**

يوضح رمز التحذير هذا وجود خطر. وهذا يعني أنك متواجد في مكان قد ينتج عنه التعرض للإصابات. قبل بدء العمل، احذر مخاطر التعرض للصدمات الكهربائية وكن على علم بالإجراءات القياسية للحيلولة دون وقوع أي حوادث. استخدم رقم البيان الموجود في آخر كل تحذير لتحديد مكان ترجمته داخل تحذيرات الأمان المترجمة التي تأتي مع الجهاز. قم بحفظ هذه الإرشادات

**Upozorenje VAŽNE SIGURNOSNE NAPOMENE**

Ovaj simbol upozorenja predstavlja opasnost. Nalazite se u situaciji koja može prouzročiti tjelesne ozljede. Prije rada s bilo kojim uređajem, morate razumjeti opasnosti vezane uz električne sklopove, te biti upoznati sa standardnim načinima izbjegavanja nesreća. U prevedenim sigurnosnim upozorenjima, priloženima uz uređaj, možete prema broju koji se nalazi uz pojedino upozorenje pronaći i njegov prijevod.

**SAČUVAJTE OVE UPUTE**

**Upozornění DŮLEŽITÉ BEZPEČNOSTNÍ POKYNY**

Tento upozorňující symbol označuje nebezpečí. Jste v situaci, která by mohla způsobit nebezpečí úrazu. Před prací na jakémkoliv vybavení si uvědomte nebezpečí související s elektrickými obvody a seznamte se se standardními opatřeními pro předcházení úrazům. Podle čísla na konci každého upozornění vyhledejte jeho překlad v přeložených bezpečnostních upozorněních, která jsou přiložena k zařízení.

**USCHOVEJTE TYTO POKYNY**

Προειδοποίηση ΣΗΜΑΝΤΙΚΕΣ ΟΔΗΓΙΕΣ ΑΣΦΑΛΕΙΑΣ

Αυτό το προειδοποιητικό σύμβολο σημαίνει κίνδυνο. Βρίσκεστε σε κατάσταση που μπορεί να προκαλέσει τραυματισμό. Πριν εργαστείτε σε οποιοδήποτε εξοπλισμό, να έχετε υπόψη σας τους κινδύνους που σχετίζονται με τα ηλεκτρικά κυκλώματα και να έχετε εξοικειωθεί με τις συνήθεις πρακτικές για την αποφυγή ατυχημάτων. Χρησιμοποιήστε τον αριθμό δήλωσης που παρέχεται στο τέλος κάθε προειδοποίησης, για να εντοπίσετε τη μετάφρασή της στις μεταφρασμένες προειδοποιήσεις ασφαλείας που συνοδεύουν τη συσκευή.

ΦΥΛΑΞΤΕ ΑΥΤΕΣ ΤΙΣ ΟΔΗΓΙΕΣ

הרהר

**הוראות בטיחות חשובות**

סימן אזהרה זה מסמל סכנה. אתה נמצא במצב העלול לגרום לפציעה. לפני שתעבוד עם ציוד כלשהו, עליך להיות מודע לסכנות הכרוכות במעגלים חשמליים ולהכיר את הנהלים המקובלים למניעת תאונות. השתמש במספר ההוראה המסופק בסופה של כל אזהרה כדי לאתר את התרגום באזהרות הבטיחות המתורגמות שמצורפות להתקן.

**שמור הוראות אלה**

Opomena

**ВАЖНИ БЕЗБЕДНОСНИ НАПАТСТВИЈА**

Симболот за предупредување значи опасност. Се наоѓате во ситуација што може да предизвика телесни повреди. Пред да работите со опремата, бидете свесни за ризикот што постои кај електричните кола и треба да ги познавате стандардните постапки за спречување на несреќни случаи. Искористете го бројот на изјавата што се наоѓа на крајот на секое предупредување за да го најдете неговиот период во преведените безбедносни предупредувања што се испорачани со уредот.

**ЧУВАЈТЕ ГИ ОБИЕ НАПАТСТВИЈА**

Ostrzeżenie

**WAŻNE INSTRUKCJE DOTYCZĄCE BEZPIECZEŃSTWA**

Ten symbol ostrzeżenia oznacza niebezpieczeństwo. Zachodzi sytuacja, która może powodować obrażenia ciała. Przed przystąpieniem do prac przy urządzeniach należy zapoznać się z zagrożeniami związanymi z układami elektrycznymi oraz ze standardowymi środkami zapobiegania wypadkom. Na końcu każdego ostrzeżenia podano numer, na podstawie którego można odszukać tłumaczenie tego ostrzeżenia w dołączonym do urządzenia dokumencie z tłumaczeniami ostrzeżeń.

**NINIEJSZE INSTRUKCJE NALEŻY ZACHOWAĆ**

Upozornenie

**DÔLEŽITÉ BEZPEČNOSTNÉ POKYNY**

Tento varovný symbol označuje nebezpečenstvo. Nachádzate sa v situácii s nebezpečenstvom úrazu. Pred prácou na akomkoľvek vybavení si uvedomte nebezpečenstvo súvisiace s elektrickými obvodmi a oboznámte sa so štandardnými opatreniami na predchádzanie úrazom. Podľa čísla na konci každého upozornenia vyhľadajte jeho preklad v preložených bezpečnostných upozorneniach, ktoré sú priložené k zariadeniu.

**USCHOVAJTE SI TENTO NÁVOD**

## Opozorilo **POMEMBNI VARNOSTNI NAPOTKI**

**Ta opozorilni simbol pomeni nevarnost. Nahajate se v situaciji, kjer lahko pride do telesnih poškodb. Preden pričnete z delom na napravi, se morate zavedati nevarnosti udara električnega toka, ter tudi poznati preventivne ukrepe za preprečevanje takšnih nevarnosti. Uporabite obrazložitevno številko na koncu posameznega opozorila, da najdete opis nevarnosti v priloženem varnostnem priročniku.**

**SHRANITE TE NAPOTKE!**

**警告 重要安全性指示**  
此警告符號代表危險，表示可能造成人身傷害。使用任何設備前，請留心電路相關危險，並熟悉避免意外的標準作法。您可以使用每項警告後的聲明編號，查詢本裝置隨附之安全性警告譯文中的翻譯。請妥善保留此指示

## Related Documentation

The documentation set for the Cisco Unified Computing System (UCS) C-Series rack-mount servers is described in the roadmap document at the following link:

[Cisco UCS C-Series Documentation Roadmap](#)

## Documentation Feedback

To provide technical feedback on this document, or to report an error or omission, please send your comments to [ucs-docfeedback@external.cisco.com](mailto:ucs-docfeedback@external.cisco.com). We appreciate your feedback.

## Obtaining Documentation and Submitting a Service Request

For information on obtaining documentation, using the Cisco Bug Search Tool (BST), submitting a service request, and gathering additional information, see *What's New in Cisco Product Documentation* at: <http://www.cisco.com/c/en/us/td/docs/general/whatsnew/whatsnew.html>.

Subscribe to *What's New in Cisco Product Documentation*, which lists all new and revised Cisco technical documentation, as an RSS feed and deliver content directly to your desktop using a reader application. The RSS feeds are a free service.







# Overview

---

This chapter provides an overview of the Cisco UCS C240 M4 server features:

- [External Features Overview, page 1-1](#)
- [Replaceable Component Locations, page 1-7](#)
- [Summary of Server Features, page 1-8](#)

## External Features Overview

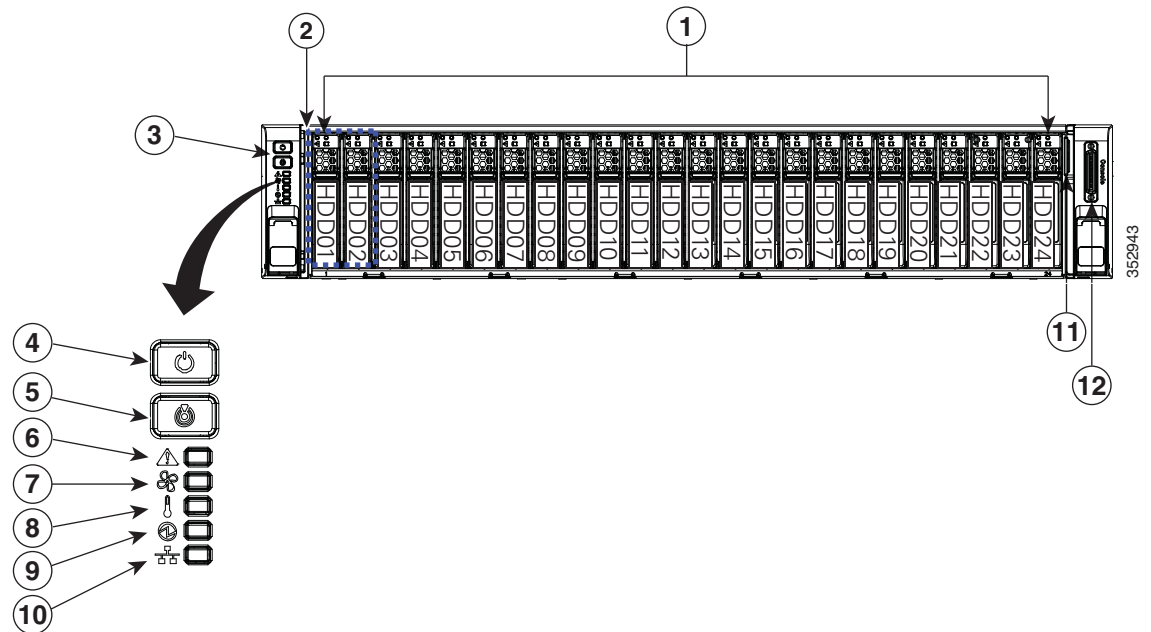
The figures in this chapter show an overview of external server features.

The server is orderable in four different versions, each with one of four different front panel/drive backplane configurations:

- Cisco UCS C240 M4—Small form-factor (SFF) drives with 24-drive backplane and expander. This version holds up to 24 2.5-inch SAS/SATA hard drives or solid state drives (SSDs). This version also supports up to 2 NVMe PCIe SSDs. See [Figure 1-1](#).
- Cisco UCS C240 M4—SFF drives, with 16-drive backplane and integrated expander. This version holds up to 16 2.5-inch SAS/SATA hard drives or solid state drives. This version also supports up to 2 NVMe PCIe SSDs. See [Figure 1-2](#).
- Cisco UCS C240 M4—SFF drives, with 8-drive direct-connect backplane and no expander. This version holds up to 8 2.5-inch SAS/SATA hard drives or solid state drives. This version also supports up to 2 NVMe PCIe SSDs. See [Figure 1-3](#).
- Cisco UCS C240 M4—Large form-factor (LFF) drives, with 12-drive backplane and integrated expander. This version holds up to 12 3.5-inch SAS/SATA hard drives. See [Figure 1-4](#).
- The rear panel features are the same for all four versions of the server. See [Figure 1-5](#).

Figure 1-1 shows the front panel features of the SFF drives, 24-drive version of the server. This version of the server has a 24-drive backplane and an integrated expander.

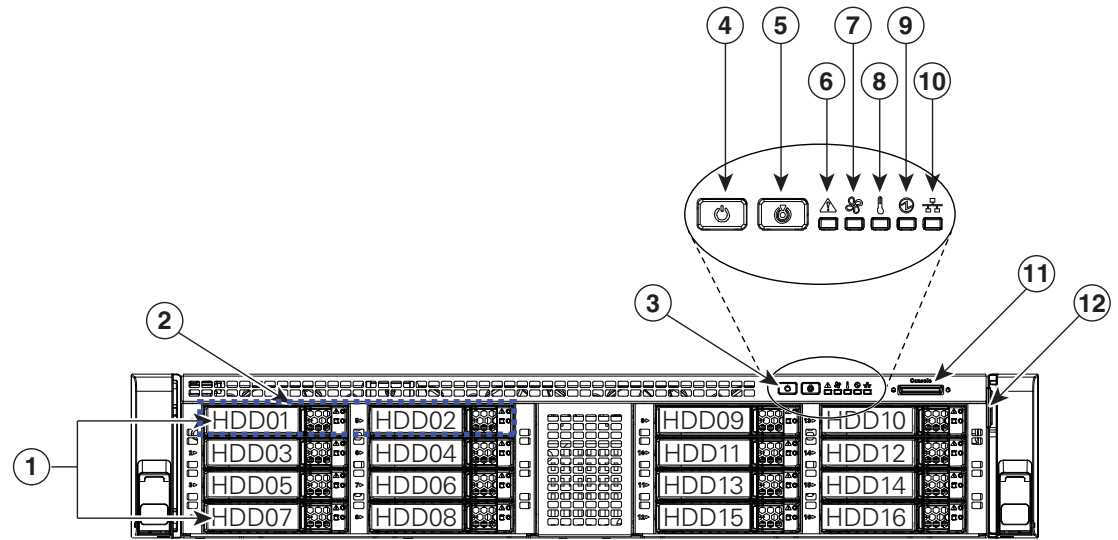
Figure 1-1 Cisco UCS C240 M4 Server (SFF Drives, 24-Drive) Front Panel Features



1	Drive bays 1–24 support SAS/SATA drives.	7	Fan status LED
2	Drive bays 1 and 2 support NVMe PCIe SSDs and SAS/SATA drives.	8	Temperature status LED
3	Operations panel buttons and LEDs	9	Power supply status LED
4	Power button/LED	10	Network link activity LED
5	Unit Identification button/LED	11	Pull-out asset tag
6	System status LED	12	KVM connector (used with KVM cable that provides two USB 2.0, one VGA, and one serial connector)

Figure 1-2 shows the front-panel features of the SFF drives, 16-drive version of the server. This version of the server has a 16-drive backplane and an integrated expander.

Figure 1-2 Cisco UCS C240 M4 Server (SFF Drives, 16-Drive) Front Panel Features

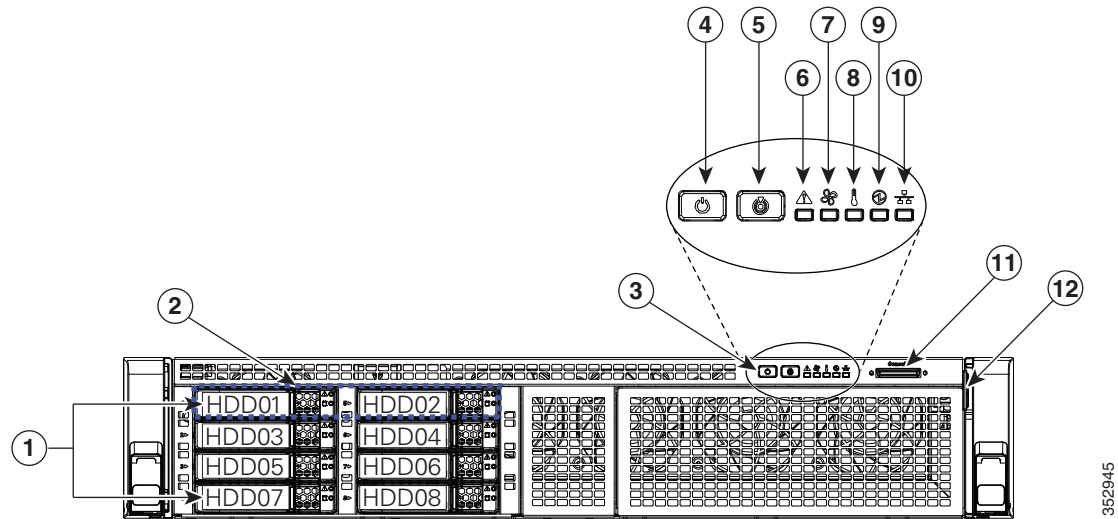


352944

1	Drive bays 1–16 support SAS/SATA drives.	7	Fan status LED
2	Drive bays 1 and 2 support NVMe PCIe SSDs and SAS/SATA drives.	8	Temperature status LED
3	Operations panel buttons and LEDs	9	Power supply status LED
4	Power button/LED	10	Network link activity LED
5	Unit Identification button/LED	11	KVM connector (used with KVM cable that provides two USB 2.0, one VGA, and one serial connector)
6	System status LED	12	Pull-out asset tag

Figure 1-3 shows the front-panel features of the SFF drives, 8-drive version of the server. This version of the server has a direct-connect, 8-drive backplane (no expander).

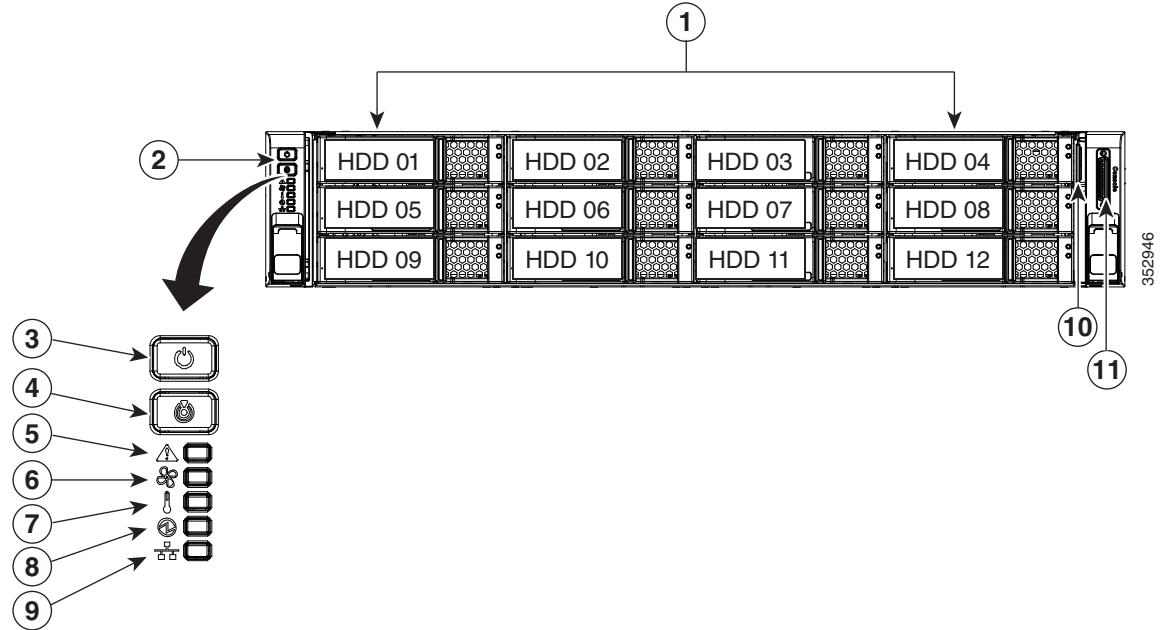
Figure 1-3 Cisco UCS C240 M4 Server (SFF Drives, 8-Drive) Front Panel Features



1	Drive bays 1–8 support SAS/SATA drives.	7	Fan status LED
2	Drive bays 1 and 2 support NVMe PCIe SSDs and SAS/SATA drives.	8	Temperature status LED
3	Operations panel buttons and LEDs	9	Power supply status LED
4	Power button/LED	10	Network link activity LED
5	Unit Identification button/LED	11	KVM connector (used with KVM cable that provides two USB 2.0, one VGA, and one serial connector)
6	System status LED	12	Pull-out asset tag

Figure 1-4 shows the front panel features of the LFF drives, 12-drive version of the server. This version of the server has a 12-drive backplane with an integrated expander.

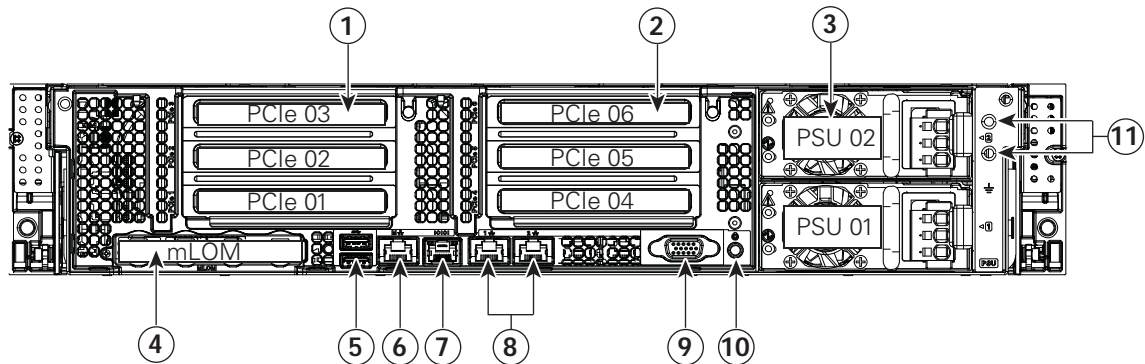
Figure 1-4 Cisco UCS C240 M4 Server (LFF Drives, 12-Drive) Front Panel Features



1	Drive bays 1–16 (up to 16 2.5-inch drives)	7	Temperature status LED
2	Operations panel buttons and LEDs	8	Power supply status LED
3	Power button/LED	9	Network link activity LED
4	Unit Identification button/LED	10	Pull-out asset tag
5	System status LED	11	KVM connector (used with KVM cable that provides two USB 2.0, one VGA, and one serial connector)
6	Fan status LED		

Figure 1-5 shows the rear panel features of the server (identical for all versions of the server).

Figure 1-5 Cisco UCS C240 M4 Server Rear Panel Features



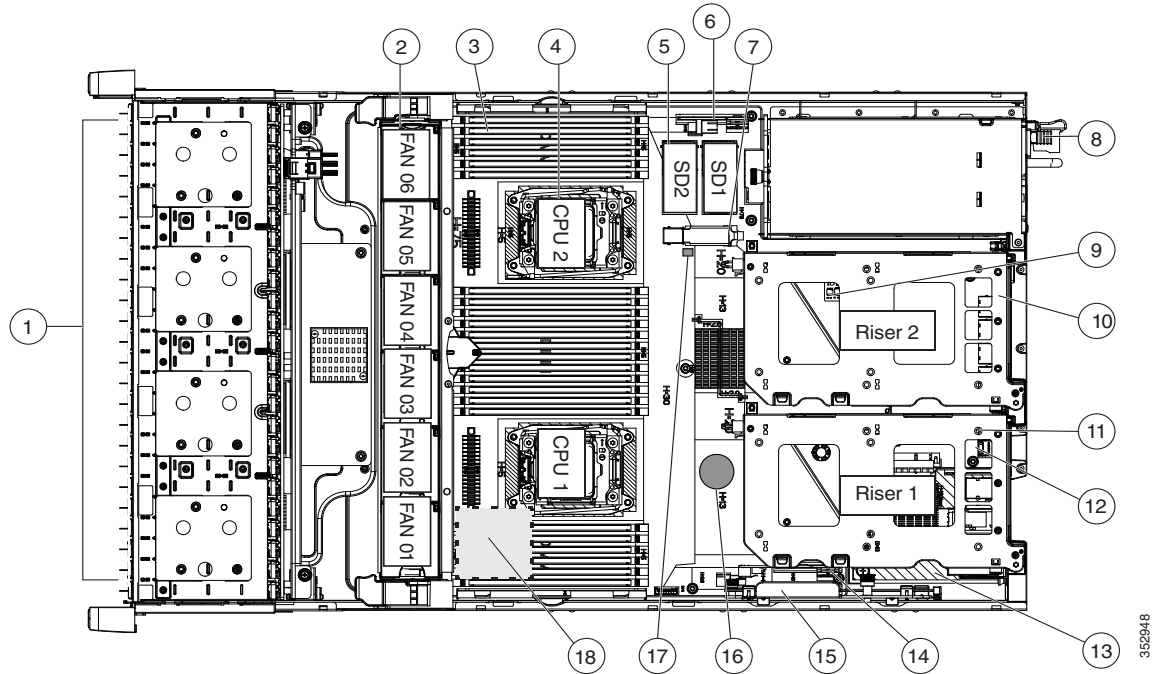
352947

1	PCIe riser 1 (slots 1, 2, 3*) *Slot 3 not present in all versions. See <a href="#">Replacing a PCIe Card, page 3-49</a> for riser options and slot specifications.	7	Serial port (RJ-45 connector)
2	PCIe riser 2 (slots 4, 5, 6)	8	Dual 1-Gb Ethernet ports (LAN1, LAN2)
3	Power supplies (DC power supplies shown) See <a href="#">Power Specifications, page A-2</a> for specifications and options.	9	VGA video port (DB-15 connector)
4	Modular LAN-on-motherboard (mLOM) card slot	10	Rear Unit Identification button/LED
5	USB 3.0 ports (two)	11	Grounding-lug holes (for DC power supplies)
6	1-Gb dedicated management port		

# Replaceable Component Locations

Figure 1-6 shows the locations of the field-replaceable components. The view shown is from the top down with the top covers and air baffle removed.

Figure 1-6 Replaceable Component Locations



<p>1 Drives bays. All drive bays support SAS/SATA drives.</p> <p>SFF, 8-, 16-, and 24-drive versions only: Drive bays 1 and 2 support SAS/SATA drives and NVMe PCIe SSDs. NVMe drives require a PCIe interposer board for PCIe bus connection (see item 6).</p>	<p>10 PCIe riser 2 (PCIe slots 4, 5, 6)</p>
<p>2 Fan modules (six, hot-swappable)</p>	<p>11 PCIe riser 1 (PCIe slots 1, 2, 3*)</p> <p>*Slot 3 not present in all versions. See <a href="#">Replacing a PCIe Card, page 3-49</a> for riser options and slot specifications.</p>
<p>3 DIMM sockets on motherboard (up to 24 DIMMs)</p>	<p>12 SATA boot drives (two sockets available only on PCIe riser 1 option 1C)</p>
<p>4 CPUs and heatsinks (two)</p>	<p>13 mLOM card socket on motherboard under PCIe riser 1</p>
<p>5 Cisco SD card slots on motherboard (two)</p>	<p>14 Socket for embedded RAID interposer board</p>
<p>6 PCIe interposer board socket</p>	<p>15 Cisco modular RAID controller PCIe slot (dedicated slot and bracket)</p>
<p>7 USB 3.0 slot on motherboard</p>	<p>16 RTC battery on motherboard</p>
<p>8 Power supplies (hot-swappable, accessed through rear panel)</p>	<p>17 Embedded RAID header for RAID 5 key</p>
<p>9 Trusted platform module (TPM) socket on motherboard, under PCIe riser 2</p>	<p>18 Supercap power module (RAID backup) mounting location on air baffle (not shown)</p>

## Summary of Server Features


Table 1-1 lists a summary of server features.

**Table 1-1 Cisco UCS C240 M4 Server Features**

Chassis	Two rack-unit (2RU) chassis.
Processors	Up to two Intel Xeon E5-2600 v3 Series processors.
Memory	24 DDR4 DIMM <sup>1</sup> sockets on the motherboard (12 each CPU).
Multi-bit error protection	Multi-bit error protection is supported.
Baseboard management	BMC, running Cisco Integrated Management Controller (Cisco IMC) firmware. Depending on your Cisco IMC settings, Cisco IMC can be accessed through the 1-Gb dedicated management port, the 1-Gb Ethernet LOM ports, or a Cisco virtual interface card.
Network and management I/O	The server provides these connectors: <ul style="list-style-type: none"> <li>• One 1-Gb Ethernet dedicated management port</li> <li>• Two 1-Gb BASE-T Ethernet LAN ports</li> <li>• One RS-232 serial port (RJ-45 connector)</li> <li>• One 15-pin VGA<sup>2</sup> connector</li> <li>• Two USB<sup>3</sup> 3.0 connectors</li> <li>• One front-panel KVM connector that is used with the KVM cable, which provides two USB 2.0, one VGA, and one serial (DB-9) connector.</li> </ul>
Modular I/O	A dedicated socket can be used to add an mLOM card for additional rear-panel connectivity (up to four 1-Gb or 10-Gb Ethernet ports).
WoL	1-Gb BASE-T Ethernet LAN ports support the wake-on-LAN (WoL) standard.
Power	Two power supplies: <ul style="list-style-type: none"> <li>• AC power supplies optionally 650 W AC, 1200 W AC, or 1400 W AC each.</li> <li>• DC power supplies 930 W DC each.</li> </ul> Do not mix power supply types or wattages in the server. Redundant as 1+1. See also <a href="#">Power Specifications, page A-2</a> .
ACPI	The advanced configuration and power interface (ACPI) 4.0 standard is supported.
Cooling	Six hot-swappable fan modules for front-to-rear cooling.
PCIe I/O	Up to six horizontal PCIe <sup>4</sup> expansion slots on two risers. Riser 1 can be ordered as one of three different versions: <ul style="list-style-type: none"> <li>• With slots 1, 2, and 3.</li> <li>• With slots 1 and 2, and a blank slot to accommodate GPU card width.</li> <li>• With slots 1 and 2, plus two connectors for SATA boot drives.</li> </ul> Riser 2 contains slots 4, 5, and 6. See <a href="#">Replacing a PCIe Card, page 3-49</a> for specifications of the slots.
InfiniBand	The InfiniBand architecture is supported by the bus slots.



Table 1-1 Cisco UCS C240 M4 Server Features (continued)

Storage	<p>Drives are installed into front-panel drive bays that provide hot-swappable access for SAS/SATA drives. The server is orderable in four different versions, each with one of four different front panel/backplane configurations:</p> <ul style="list-style-type: none"> <li>• Cisco UCS C240 M4—Small form-factor (SFF) drives with 24-drive backplane and expander. This version holds up to 24 2.5-inch SAS/SATA hard drives or solid state drives (SSDs). This version also supports up to 2 NVMe PCIe SSDs.</li> <li>• Cisco UCS C240 M4—SFF drives with 16-drive backplane and integrated expander. This version holds up to 16 2.5-inch SAS/SATA hard drives or solid state drives. This version also supports up to 2 NVMe PCIe SSDs.</li> <li>• Cisco UCS C240 M4—SFF drives with 8-drive direct-connect backplane and no expander. This version holds up to 8 2.5-inch SAS/SATA hard drives or solid state drives. This version also supports up to 2 NVMe PCIe SSDs.</li> <li>• Cisco UCS C240 M4—Large form-factor (LFF) drives with 12-drive backplane and integrated expander. This version holds up to 12 3.5-inch SAS/SATA hard drives.</li> </ul> <p> <b>Note</b> You cannot change the backplane type after-factory. To change a front panel/backplane configuration, a chassis replacement is required.</p>
Internal USB	One internal USB 3.0 port on the motherboard that you can use with a USB thumb drive for additional storage.
SD cards	<p>Two internal bays on the motherboard for up to two SD cards.</p> <p>The two flash drives can be configured in a RAID 1 configuration.</p>
Disk Management (RAID)	<p>Dedicated internal socket for a PCIe-style RAID controller card.</p> <p>The server can optionally use its own embedded SATA RAID controller with the installation of a SATA interposer board. You can optionally add a RAID 5 key to upgrade this SATA RAID.</p> <p>For a list of RAID<sup>5</sup> controller options and required cabling, see <a href="#">RAID Controller Considerations, page C-1</a>.</p>
RAID Backup	Mounting point on the air baffle for the supercap power module that is used with the Cisco modular RAID controller card.
Video	VGA video resolution up to 1920 x 1200, 16 bpp at 60 Hz, and up to 256 MB of video memory.

1. DIMM = dual inline memory module
2. VGA = video graphics array
3. USB = universal serial bus
4. PCIe = peripheral component interconnect express
5. RAID = redundant array of independent disks





## Installing the Server

---

This chapter describes how to install the server, and it includes the following sections:

- [Unpacking and Inspecting the Server, page 2-2](#)
- [Preparing for Server Installation, page 2-3](#)
- [Installing the Server In a Rack, page 2-5](#)
- [Initial Server Setup, page 2-10](#)
- [NIC Modes and NIC Redundancy Settings, page 2-14](#)
- [System BIOS and Cisco IMC Firmware, page 2-15](#)
- [Updating the BIOS and Cisco IMC Firmware, page 2-15](#)



Note

---

Before you install, operate, or service a server, review the [Regulatory Compliance and Safety Information for Cisco UCS C-Series Servers](#) for important safety information.

---



Warning

---

### IMPORTANT SAFETY INSTRUCTIONS

This warning symbol means danger. You are in a situation that could cause bodily injury. Before you work on any equipment, be aware of the hazards involved with electrical circuitry and be familiar with standard practices for preventing accidents. Use the statement number provided at the end of each warning to locate its translation in the translated safety warnings that accompanied this device. Statement 1071

---

# Unpacking and Inspecting the Server

**Caution**

When handling internal server components, wear an ESD strap and handle modules by the carrier edges only.

**Tip**

Keep the shipping container in case the server requires shipping in the future.

**Note**

The chassis is thoroughly inspected before shipment. If any damage occurred during transportation or any items are missing, contact your customer service representative immediately.

- 
- Step 1** Remove the server from its cardboard container and save all packaging material.
- Step 2** Compare the shipment to the equipment list provided by your customer service representative. Verify that you have all items.
- Step 3** Check for damage and report any discrepancies or damage to your customer service representative. Have the following information ready:
- Invoice number of shipper (see the packing slip)
  - Model and serial number of the damaged unit
  - Description of damage
  - Effect of damage on the installation
-

# Preparing for Server Installation

This section provides information about preparing for server installation, and it includes the following topics:

- [Installation Guidelines, page 2-3](#)
- [Rack Requirements, page 2-4](#)
- [Equipment Requirements, page 2-4](#)
- [Slide Rail Adjustment Range and Cable Management Arm Dimensions, page 2-4](#)

## Installation Guidelines



Warning

**To prevent the system from overheating, do not operate it in an area that exceeds the maximum recommended ambient temperature of: 35° C (95° F).**  
Statement 1047



Warning

**The plug-socket combination must be accessible at all times, because it serves as the main disconnecting device.**  
Statement 1019



Warning

**This product relies on the building's installation for short-circuit (overcurrent) protection. Ensure that the protective device is rated not greater than: 250 V, 15 A.**  
Statement 1005



Warning

**Installation of the equipment must comply with local and national electrical codes.**  
Statement 1074



Caution

To ensure proper airflow it is necessary to rack the servers using rail kits. Physically placing the units on top of one another or “stacking” without the use of the rail kits blocks the air vents on top of the servers, which could result in overheating, higher fan speeds, and higher power consumption. We recommend that you mount your servers on rail kits when you are installing them into the rack because these rails provide the minimal spacing required between the servers. No additional spacing between the servers is required when you mount the units using rail kits.



Caution

Avoid UPS types that use ferroresonant technology. These UPS types can become unstable with systems such as the Cisco UCS, which can have substantial current draw fluctuations from fluctuating data traffic patterns.

When you are installing a server, use the following guidelines:

- Plan your site configuration and prepare the site before installing the server. See the [Cisco UCS Site Preparation Guide](#) for the recommended site planning tasks.
- Ensure that there is adequate space around the server to allow for servicing the server and for adequate airflow. The airflow in this server is from front to back.
- Ensure that the air-conditioning meets the thermal requirements listed in the [Server Specifications, page A-1](#).
- Ensure that the cabinet or rack meets the requirements listed in the “[Rack Requirements](#)” section on [page 2-4](#).
- Ensure that the site power meets the power requirements listed in the [Server Specifications, page A-1](#). If available, you can use an uninterruptible power supply (UPS) to protect against power failures.

## Rack Requirements

This section provides the requirements for the standard open racks.

The rack must be of the following type:

- A standard 19-in. (48.3-cm) wide, four-post EIA rack, with mounting posts that conform to English universal hole spacing, per section 1 of ANSI/EIA-310-D-1992.
- The rack post holes can be square 0.38-inch (9.6 mm), round 0.28-inch (7.1 mm), #12-24 UNC, or #10-32 UNC when you use the supplied slide rails.
- The minimum vertical rack space per server must be two RUs, equal to 3.5 in. (88.9 mm).

## Equipment Requirements

The slide rails supplied by Cisco Systems for this server do not require tools for installation if you install them in a rack that has square 0.38-inch (9.6 mm), round 0.28-inch (7.1 mm), or #12-24 UNC threaded holes.

## Supported Slide Rail Kits

This server supports one rail kit option: Cisco part UCSC-RAILB-M4= (ball-bearing rail kit).

Do not attempt to use a rail kit that was for the Cisco UCS C240 M3 server; the rail kit for the Cisco UCS C240 M4 server has been designed specifically for it.

## Slide Rail Adjustment Range and Cable Management Arm Dimensions

The slide rails for this server have an adjustment range of 26 to 36 inches (660 to 914 mm).

The optional cable management arm (CMA) adds additional length requirements:

- The additional distance from the rear of the server to the rear of the CMA is 5.4 inches (137.4 mm)
- The total length of the server including the CMA is 34.4 inches (874 mm).

# Installing the Server In a Rack

This section contains the following sections:

- [Installing the Slide Rails, page 2-5](#)
- [Installing the Cable Management Arm \(Optional\), page 2-8](#)
- [Reversing the Cable Management Arm \(Optional\), page 2-9](#)

## Installing the Slide Rails

This section describes how to install the server in a rack using the rack kits that are sold by Cisco.



**Warning**

To prevent bodily injury when mounting or servicing this unit in a rack, you must take special precautions to ensure that the system remains stable. The following guidelines are provided to ensure your safety:

This unit should be mounted at the bottom of the rack if it is the only unit in the rack.

When mounting this unit in a partially filled rack, load the rack from the bottom to the top with the heaviest component at the bottom of the rack.

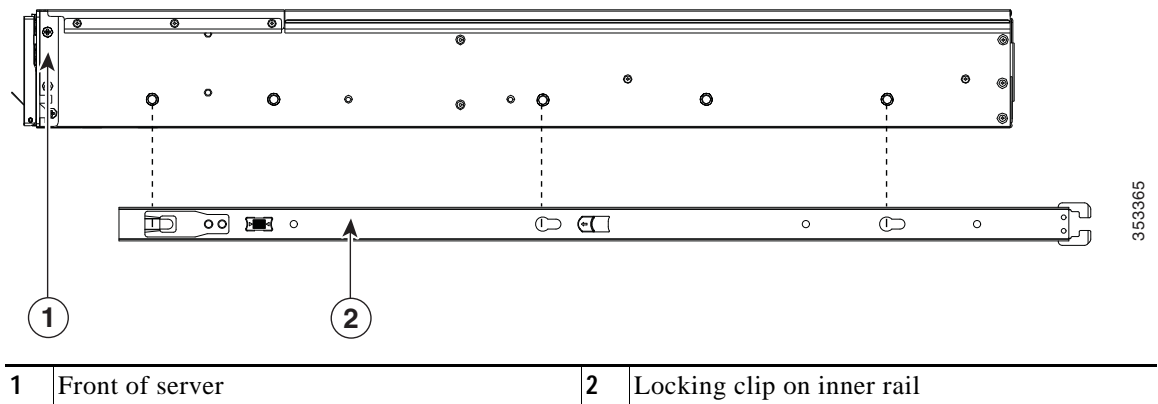
If the rack is provided with stabilizing devices, install the stabilizers before mounting or servicing the unit in the rack.  
Statement 1006

### Step 1

Attach the inner rails to the sides of the server:

- Align an inner rail with one side of the server so that the three keyed slots in the rail align with the three pegs on the side of the server (see [Figure 2-1](#)).
- Set the keyed slots over the pegs, and then slide the rail toward the front to lock it in place on the pegs. The front slot has a metal clip that locks over the front peg.
- Install the second inner rail to the opposite side of the server.

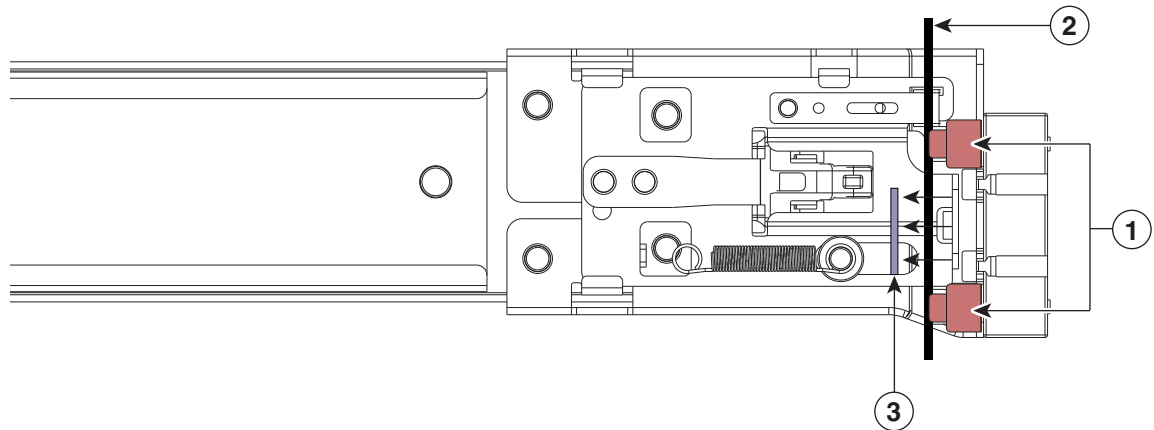
**Figure 2-1** Attaching Inner Rail to Side of Server



**Step 2** Open the front securing plate on both slide-rail assemblies. The front end of the slide-rail assembly has a spring-loaded securing plate that must be open before you can insert the mounting pegs into the rack-post holes (see [Figure 2-2](#)).

On the outside of the assembly, push the green arrow button toward the rear to open the securing plate.

**Figure 2-2** Front Securing Mechanism, Inside of Front End



1	Front mounting pegs	3	Securing plate shown pulled back to open position
2	Rack post		

**Step 3** Install the slide rails into the rack:

- a. Align one slide-rail assembly front end with the front rack-post holes that you want to use.

The slide rail front-end wraps around the outside of the rack post and the mounting pegs enter the rack-post holes from the outside-front (see [Figure 2-2](#)).



**Note** The rack post must be between the mounting pegs and the open securing plate.

- b. Push the mounting pegs into the rack-post holes from the outside-front.
- c. Press the securing plate release button, marked “PUSH.” The spring-loaded securing plate closes to lock the pegs in place.
- d. Adjust the slide-rail length, and then push the rear mounting pegs into the corresponding rear rack-post holes. The slide rail must be level front-to-rear.  
The rear mounting pegs enter the rear rack-post holes from the inside of the rack post.
- e. Attach the second slide-rail assembly to the opposite side of the rack. Ensure that the two slide-rail assemblies are at the same height with each other and are level front-to-back.
- f. Pull the inner slide rails on each assembly out toward the rack front until they hit the internal stops and lock in place.



**Step 4** Insert the server into the slide rails:

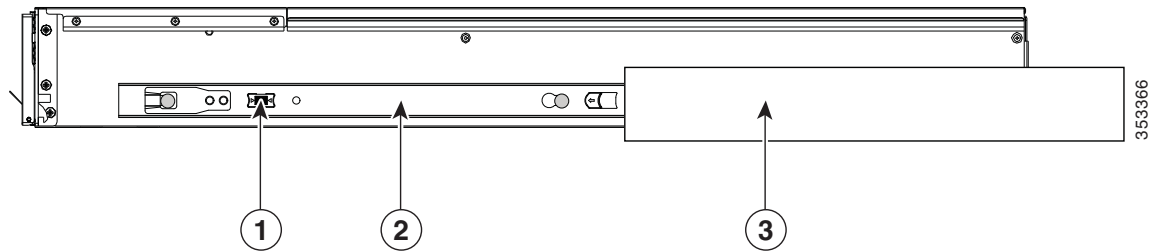


**Caution**

This server can weigh up to 67 pounds (59 kilograms) when fully loaded with components. We recommend that you use a minimum of two people or a mechanical lift when lifting the server. Attempting this procedure alone could result in personal injury or equipment damage.

- a. Align the rear of the inner rails that are attached to the server sides with the front ends of the empty slide rails on the rack.
- b. Push the inner rails into the slide rails on the rack until they stop at the internal stops.
- c. Slide the release clip toward the rear on both inner rails ([Figure 2-3](#)), and then continue pushing the server into the rack until its front slam latches engage with the rack posts.

**Figure 2-3** Inner Rail Release Clip



1	Inner rail release clip	3	Outer rail attached to rack post
2	Inner rail attached to server		

**Step 5** (Optional) Secure the server in the rack more permanently by using the two screws that are provided with the slide rails. Perform this step if you plan to move the rack with servers installed.

With the server fully pushed into the slide rails, open a hinged slam latch lever on the front of the server and insert the screw through the hole that is under the lever. The screw threads into the static part of the rail on the rack post and prevents the server from being pulled out. Repeat for the opposite slam latch.

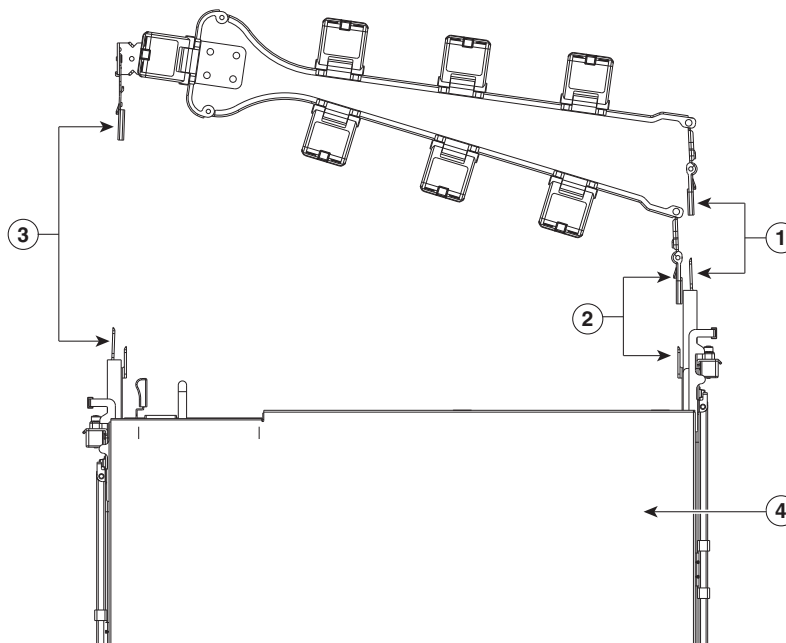
## Installing the Cable Management Arm (Optional)



**Note** The CMA is reversible left to right. To reverse the CMA, see [Reversing the Cable Management Arm \(Optional\)](#), page 2-9 before installation.

- Step 1** With the server pushed fully into the rack, slide the CMA tab of the CMA arm that is farthest from the server onto the end of the stationary slide rail that is attached to the rack post (see [Figure 2-4](#)). Slide the tab over the end of the rail until it clicks and locks.
- Step 2** Slide the CMA tab that is closest to the server over the end of the inner rail that is attached to the server (see [Figure 2-4](#)). Slide the tab over the end of the rail until it clicks and locks.
- Step 3** Pull out the width-adjustment slider that is at the opposite end of the CMA assembly until it matches the width of your rack (see [Figure 2-4](#)).
- Step 4** Slide the CMA tab that is at the end of the width-adjustment slider onto the end of the stationary slide rail that is attached to the rack post (see [Figure 2-4](#)). Slide the tab over the end of the rail until it clicks and locks.
- Step 5** Open the hinged flap at the top of each plastic cable guide and route your cables through the cable guides as desired.

**Figure 2-4** Attaching the Cable Management Arm to the Rear of the Slide Rails

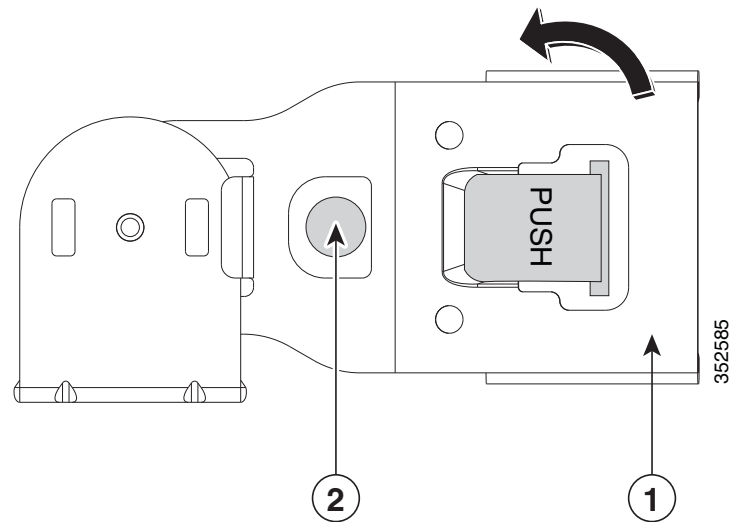


1	CMA tab on arm farthest from server and end of stationary outer slide rail	3	CMA tab on width-adjustment slider and end of stationary outer slide rail
2	CMA tab on arm closest to the server and end of inner slide rail attached to server	4	Rear of server

## Reversing the Cable Management Arm (Optional)

- Step 1** Rotate the entire CMA assembly 180 degrees. The plastic cable guides must remain pointing upward.
- Step 2** Flip the tabs at the end of each CMA arm so that they point toward the rear of the server.
- Step 3** Pivot the tab that is at the end of the width-adjustment slider. Depress and hold the metal button on the outside of the tab and pivot the tab 180 degrees so that it points toward the rear of the server.

**Figure 2-5** Reversing the CMA



<b>1</b>	CMA tab on end of width-adjustment slider	<b>2</b>	Metal button for rotating
----------	---	----------	---------------------------

# Initial Server Setup

## Connecting and Powering On the Server (Standalone Mode)



### Note

This section describes how to power on the server, assign an IP address, and connect to server management when using the server *in standalone mode*. To use the server in UCS integration, specific cabling and settings are required. See [Installation for Cisco UCS Manager Integration, page E-1](#).

The server is shipped with these default settings:

- The NIC mode is Shared LOM EXT.  
Shared LOM EXT mode enables the 1-Gb Ethernet ports and the ports on any installed Cisco virtual interface card (VIC) to access Cisco Integrated Management Interface (Cisco IMC). If you want to use the 10/100/1000 dedicated management ports to access Cisco IMC, you can connect to the server and change the NIC mode as described in [Step 1](#) of the following procedure.
- The NIC redundancy is active-active. All Ethernet ports are utilized simultaneously.
- DHCP is enabled.
- IPv4 is enabled. You can change this to IPv6.

There are two methods for connecting to the system for initial setup:

- Local setup—Use this procedure if you want to connect a keyboard and monitor to the system for setup. This procedure requires a KVM cable (Cisco PID N20-BKVM). See [Local Connection Procedure, page 2-10](#).
- Remote setup—Use this procedure if you want to perform setup through your dedicated management LAN. See [Remote Connection Procedure, page 2-11](#).



### Note

To configure the system remotely, you must have a DHCP server on the same network as the system. Your DHCP server must be preconfigured with the range of MAC addresses for this server node. The MAC address is printed on a label that is on the pull-out asset tag on the front panel (see [Figure 1-1](#) through [Figure 1-4](#)). This server node has a range of six MAC addresses assigned to the Cisco IMC. The MAC address printed on the label is the beginning of the range of six contiguous MAC addresses.

## Local Connection Procedure

- Step 1** Attach a power cord to each power supply in your server, and then attach each power cord to a grounded AC power outlet. See [Power Specifications, page A-2](#) for power specifications.
- Wait for approximately two minutes to let the server boot in standby power during the first bootup.
- You can verify system power status by looking at the system Power Status LED on the front panel (see [External Features Overview, page 1-1](#)). The system is in standby power mode when the LED is amber.
- Step 2** Connect a USB keyboard and VGA monitor to the server using one of the following methods:
- Connect a USB keyboard and VGA monitor to the corresponding connectors on the rear panel (see [External Features Overview, page 1-1](#)).

- Connect an optional KVM cable (Cisco PID N20-BKVM) to the KVM connector on the front panel (see [External Features Overview, page 1-1](#) for the connector location). Connect your USB keyboard and VGA monitor to the KVM cable.
- Step 3** Open the Cisco IMC Configuration Utility:
- a. Press and hold the front panel power button for four seconds to boot the server.
  - b. During bootup, press **F8** when prompted to open the Cisco IMC Configuration Utility.
- This utility has two windows that you can switch between by pressing F1 or F2.
- Step 4** Continue with [Cisco IMC Configuration Utility Setup, page 2-12](#).
- 

## Remote Connection Procedure

- Step 1** Attach a power cord to each power supply in your server, and then attach each power cord to a grounded AC power outlet. See [Power Specifications, page A-2](#) for power specifications.
- Wait for approximately two minutes to let the server boot in standby power during the first bootup.
- You can verify system power status by looking at the system Power Status LED on the front panel (see [External Features Overview, page 1-1](#)). The system is in standby power mode when the LED is amber.
- Step 2** Plug your management Ethernet cable into the dedicated management port on the rear panel (see [External Features Overview, page 1-1](#)).
- Step 3** Allow your preconfigured DHCP server to assign an IP address to the server node.
- Step 4** Use the assigned IP address to access and log in to the Cisco IMC for the server node. Consult with your DHCP server administrator to determine the IP address.



**Note** The default user name for the server is *admin*. The default password is *password*.

---

- Step 5** From the Cisco IMC Server Summary page, click **Launch KVM Console**. A separate KVM console window opens.
- Step 6** From the Cisco IMC Summary page, click **Power Cycle Server**. The system reboots.
- Step 7** Select the KVM console window.



**Note** The KVM console window must be the active window for the following keyboard actions to work.

---

- Step 8** When prompted, press **F8** to enter the Cisco IMC Configuration Utility. This utility opens in the KVM console window.
- This utility has two windows that you can switch between by pressing F1 or F2.
- Step 9** Continue with [Cisco IMC Configuration Utility Setup, page 2-12](#).
-

## Cisco IMC Configuration Utility Setup

The following procedure is performed after you connect to the system and open the Cisco IMC Configuration Utility.

### Step 1 Set NIC mode and NIC redundancy:

- a. Set the NIC mode to choose which ports to use to access Cisco IMC for server management (see [Figure 1-5](#) for identification of the ports):
  - Shared LOM EXT (default)—This is the shared LOM extended mode, the factory-default setting. With this mode, the shared LOM and Cisco Card interfaces are both enabled.

In this mode, DHCP replies are returned to both the shared LOM ports and the Cisco card ports. If the system determines that the Cisco card connection is not getting its IP address from a Cisco UCS Manager system because the server is in standalone mode, further DHCP requests from the Cisco card are disabled. Use the Cisco Card NIC mode if you want to connect to Cisco IMC through a Cisco card in standalone mode.

- Dedicated—The dedicated management port is used to access Cisco IMC. You must select a NIC redundancy and IP setting.
- Shared LOM—The 1-Gb Ethernet ports are used to access Cisco IMC. You must select a NIC redundancy and IP setting.
- Cisco Card—The ports on an installed Cisco UCS virtual interface card (VIC) are used to access Cisco IMC. You must select a NIC redundancy and IP setting.

See also the required VIC Slot setting below.

- VIC Slot—If you use the Cisco Card NIC mode, you must select this setting to match where your VIC is installed. The choices are Riser1, Riser2, or Flex-LOM (the mLOM slot).
  - If you select Riser1, slot 2 is the primary slot, but you can use slot 1.
  - If you select Riser2, slot 5 is the primary slot, but you can use slot 4.
  - If you select Flex-LOM, you must use an mLOM-style VIC in the mLOM slot.
- b. Use this utility to change the NIC redundancy to your preference. This server has three possible NIC redundancy settings:
  - None—The Ethernet ports operate independently and do not fail over if there is a problem. This setting can be used only with the Dedicated NIC mode.
  - Active-standby—If an active Ethernet port fails, traffic fails over to a standby port.
  - Active-active—All Ethernet ports are utilized simultaneously. Shared LOM EXT mode can have only this NIC redundancy setting. Shared LOM and Cisco Card modes can have both Active-standby and Active-active settings.

### Step 2 Choose whether to enable DHCP for dynamic network settings, or to enter static network settings.



**Note** Before you enable DHCP, you must preconfigure your DHCP server with the range of MAC addresses for this server. The MAC address is printed on a label on the rear of the server. This server has a range of six MAC addresses assigned to Cisco IMC. The MAC address printed on the label is the beginning of the range of six contiguous MAC addresses.

The static IPv4 and IPv6 settings include the following:

- The Cisco IMC IP address.
- The prefix/subnet.

For IPv6, valid values are 1–127.

- The gateway.  
For IPv6, if you do not know the gateway, you can set it as none by entering `::` (two colons).
- The preferred DNS server address.  
For IPv6, you can set this as none by entering `::` (two colons).

- Step 3** (Optional) Use this utility to make VLAN settings.
- Step 4** Press **F1** to go to the second settings window, then continue with the next step.  
From the second window, you can press **F2** to switch back to the first window.
- Step 5** (Optional) Set a hostname for the server.
- Step 6** (Optional) Enable dynamic DNS and set a dynamic DNS (DDNS) domain.
- Step 7** (Optional) If you check the Factory Default check box, the server reverts to the factory defaults.
- Step 8** (Optional) Set a default user password.
- Step 9** (Optional) Enable auto-negotiation of port settings or set the port speed and duplex mode manually.




---

**Note** Auto-negotiation is applicable only when you use the Dedicated NIC mode. Auto-negotiation sets the port speed and duplex mode automatically based on the switch port to which the server is connected. If you disable auto-negotiation, you must set the port speed and duplex mode manually.

---

- Step 10** (Optional) Reset port profiles and the port name.
- Step 11** Press **F5** to refresh the settings that you made. You might have to wait about 45 seconds until the new settings appear and the message, “Network settings configured” is displayed before you reboot the server in the next step.
- Step 12** Press **F10** to save your settings and reboot the server.




---

**Note** If you chose to enable DHCP, the dynamically assigned IP and MAC addresses are displayed on the console screen during bootup.

---

Use a browser and the IP address of the Cisco IMC to connect to the Cisco IMC management interface. The IP address is based upon the settings that you made (either a static address or the address assigned by your DHCP server).




---

**Note** The default username for the server is *admin*. The default password is *password*.

---

To manage the server, see the *Cisco UCS C-Series Rack-Mount Server Configuration Guide* or the *Cisco UCS C-Series Rack-Mount Server CLI Configuration Guide* for instructions on using those interfaces. The links to these documents are in the C-Series documentation roadmap:

<http://www.cisco.com/go/unifiedcomputing/c-series-doc>

# NIC Modes and NIC Redundancy Settings

## NIC Modes

This server has the following NIC mode settings that you can choose from:

- **Shared LOM EXT (default)**—This mode is the shared LOM extended mode that is the factory-default setting. With this mode, the shared LOM and Cisco Card interfaces are both enabled.  
In this mode, DHCP replies are returned to both the shared LOM ports and the Cisco card ports. If the system determines that the Cisco card connection is not getting its IP address from a Cisco UCS Manager system because the server is in standalone mode, further DHCP requests from the Cisco card are disabled. If the system determines that the Cisco card connection is getting its IP address from a Cisco UCS Manager system, the reply has parameters that automatically move the server to UCSM mode.
- **Dedicated**—The dedicated management port is used to access Cisco IMC. You must select a NIC redundancy and IP setting.
- **Shared LOM**—The 1-Gb Ethernet ports are used to access Cisco IMC. You must select a NIC redundancy and IP setting.
- **Cisco Card**—The ports on an installed Cisco UCS virtual interface card (VIC) are used to access Cisco IMC. You must select a NIC redundancy and IP setting.

See also the required VIC Slot setting below.

- **VIC Slot**—If you use the Cisco Card NIC mode, you select this setting to match where your VIC is installed. The choices are Riser1, Riser2, or Flex-LOM (the mLOM slot).
  - If you select Riser1, slot 2 is the primary slot, but you can also use slot 1.
  - If you select Riser2, slot 5 is the primary slot, but you can also use slot 4.
  - If you select Flex-LOM, you must use an mLOM-style VIC in the mLOM slot.

## NIC Redundancy

This server has the following NIC redundancy settings that you can choose from:

- **None**—The Ethernet ports operate independently and do not fail over if there is a problem. This setting can be used only with the Dedicated NIC mode.
- **Active-standby**—If an active Ethernet port fails, traffic fails over to a standby port.
- **Active-active**—All Ethernet ports are utilized simultaneously. Shared LOM EXT mode can have only this NIC redundancy setting. Shared LOM and Cisco Card modes can have both Active-standby and Active-active settings.

The active/active setting uses Mode 5 or Balance-TLB (adaptive transmit load balancing). This is channel bonding that does not require any special switch support. The outgoing traffic is distributed according to the current load (computed relative to the speed) on each slave. Incoming traffic is received by the current slave. If the receiving slave fails, another slave takes over the MAC address of the failed receiving slave.



# System BIOS and Cisco IMC Firmware

This section includes information about the system BIOS and it includes the following sections:

- [Updating the BIOS and Cisco IMC Firmware, page 2-15](#)
- [Accessing the System BIOS, page 2-16](#)

## Updating the BIOS and Cisco IMC Firmware



### Caution

When you upgrade the BIOS firmware, you must also upgrade Cisco IMC firmware to the same version or the server will not boot. Do not power on the server until the BIOS and Cisco IMC firmware are matching or the server does not boot.

Cisco provides the Cisco Host Upgrade Utility to assist with simultaneously upgrading the BIOS, Cisco IMC, and other firmware to compatible levels.

The server uses firmware obtained from and certified by Cisco. Cisco provides release notes with each firmware image. There are several methods for updating the firmware:

- **Recommended method for system components firmware update:** Use the Cisco Host Upgrade Utility to simultaneously upgrade Cisco IMC, BIOS, LOM, LSI storage controller, and Cisco UCS VIC firmware to compatible levels.

See the *Cisco Host Upgrade Utility Quick Reference Guide* for your firmware level at the documentation roadmap link below.

- You can upgrade the BIOS using the EFI interface, or upgrade from a Windows or Linux platform. See the *Cisco UCS C-Series Rack-Mount Server BIOS Upgrade Guide*.
- You can upgrade Cisco IMC and BIOS firmware by using the Cisco IMC GUI interface. See the *Cisco UCS C-Series Rack-Mount Server Configuration Guide*.
- You can upgrade Cisco IMC and BIOS firmware by using the Cisco IMC CLI interface. See the *Cisco UCS C-Series Rack-Mount Server CLI Configuration Guide*.

For links to the documents listed above, see the documentation roadmap at the following URL:

<http://www.cisco.com/go/unifiedcomputing/c-series-doc>

## Accessing the System BIOS

You can change the BIOS settings for your server. Detailed instructions are also printed on the BIOS screens.

- 
- Step 1** Enter the BIOS setup utility by pressing the **F2** key when prompted during bootup.



---

**Note** The version and build of the current BIOS are displayed on the Main page of the utility.

---

- Step 2** Use the arrow keys to select the BIOS menu page.
- Step 3** Highlight the field to be modified by using the arrow keys.
- Step 4** Press **Enter** to select the field that you want to change, and then modify the value in the field.
- Step 5** Press the right arrow key until the Exit menu screen is displayed.
- Step 6** Follow the instructions on the Exit menu screen to save your changes and exit the setup utility (or Press **F10**). You can exit without saving changes by pressing **Esc**.
-



## Maintaining the Server

---

This chapter describes how to diagnose server system problems using LEDs. It also provides information about how to install or replace hardware components, and it includes the following sections:

- [Server Monitoring and Management Tools, page 3-1](#)
- [Status LEDs and Buttons, page 3-2](#)
- [Preparing for Server Component Installation, page 3-9](#)
- [Installing or Replacing Server Components, page 3-13](#)
- [Service DIP Switches, page 3-71](#)

## Server Monitoring and Management Tools

### Cisco Integrated Management Interface

You can monitor the server inventory, health, and system event logs by using the built-in Cisco Integrated Management Controller (Cisco IMC) GUI or CLI interfaces. See the user documentation for your firmware release at the following URL:

[http://www.cisco.com/en/US/products/ps10739/products\\_installation\\_and\\_configuration\\_guides\\_list.html](http://www.cisco.com/en/US/products/ps10739/products_installation_and_configuration_guides_list.html)

### Server Configuration Utility

Cisco has also developed the Cisco Server Configuration Utility for C-Series servers, which can aid and simplify the following tasks:

- Monitoring server inventory and health
- Diagnosing common server problems with diagnostic tools and logs
- Setting the BIOS booting order
- Configuring some RAID configurations
- Installing operating systems

You can also download the ISO image from Cisco.com. See the user documentation for your version of the utility at the following URL:

[http://www.cisco.com/en/US/products/ps10493/products\\_user\\_guide\\_list.html](http://www.cisco.com/en/US/products/ps10493/products_user_guide_list.html)

# Status LEDs and Buttons

This section describes the location and meaning of LEDs and buttons and includes the following topics

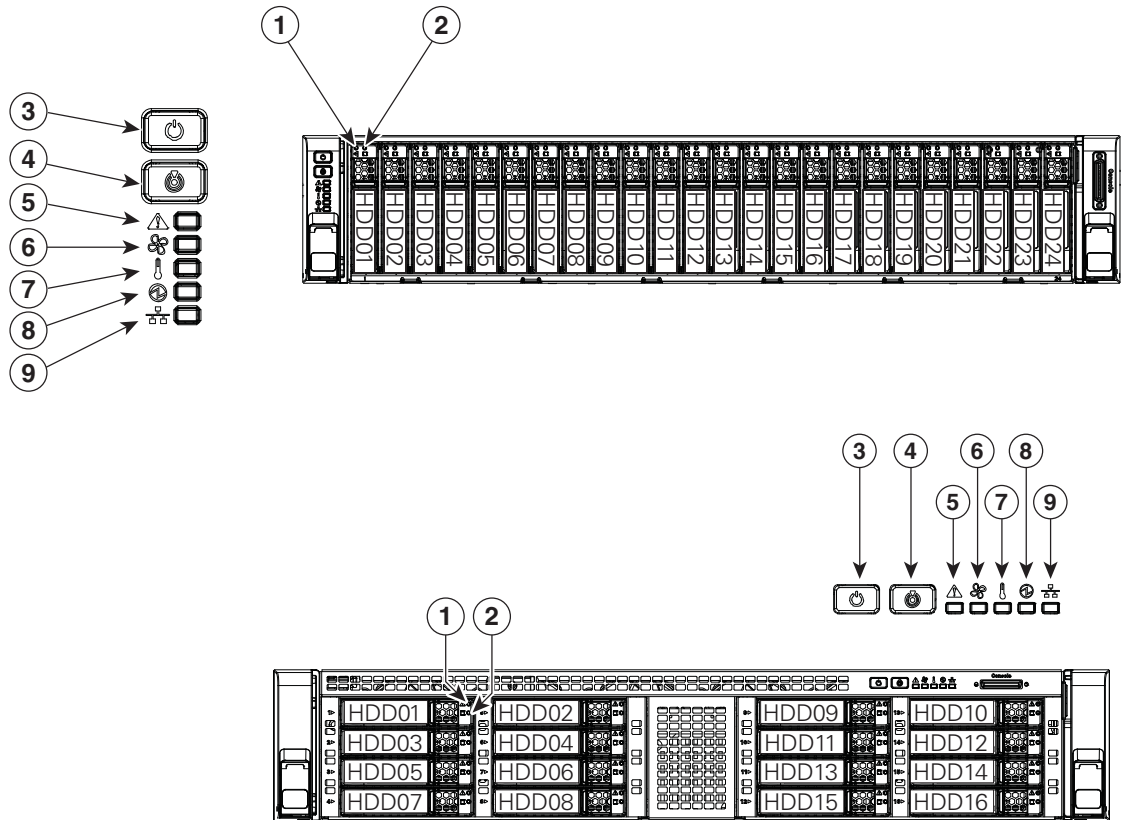
- [Front Panel LEDs, page 3-2](#)
- [Rear Panel LEDs and Buttons, page 3-5](#)
- [Internal Diagnostic LEDs, page 3-8](#)

## Front Panel LEDs

Figure 3-1 shows the front panel LEDs. Table 3-1 defines the LED states.

The small form factor (SFF) drives, 24-drive version and the SFF drives, 16-drive version are shown.

Figure 3-1 Front Panel LEDs



1	Hard drive fault LED (on each drive tray) <b>Note:</b> NVMe PCIe SSDs drive tray LEDs have slightly different behavior. See <a href="#">Table 3-1</a> for the LED states.	6	Fan status LED
2	Hard drive activity LED (on each drive tray)	7	Temperature status LED
3	Power button/power status LED	8	Power supply status LED
4	Unit Identification button/LED	9	Network link activity LED
5	System status LED		

**Table 3-1** Front Panel LEDs, Definitions of States

	LED Name	State
1 SAS	Hard drive fault <b>Note:</b> If your controller is a Cisco UCS RAID SAS 9300-8i or 9300-8e HBA, see <a href="#">Cisco UCS SAS 9300-8e HBA Considerations</a> , page C-4 for differing LED behavior.	<ul style="list-style-type: none"> <li>• Off—The hard drive is operating properly.</li> <li>• Amber—Drive fault detected.</li> <li>• Amber, blinking—The device is rebuilding.</li> <li>• Amber, blinking with one-second interval—Drive locate function activated.</li> </ul>
2 SAS	Hard drive activity	<ul style="list-style-type: none"> <li>• Off—There is no hard drive in the hard drive tray (no access, no fault).</li> <li>• Green—The hard drive is ready.</li> <li>• Green, blinking—The hard drive is reading or writing data.</li> </ul>
1 PCIe	NVMe PCIe SSD status (SFF, 8-drives version only)	<ul style="list-style-type: none"> <li>• Off—The drive is not in use and can be safely removed.</li> <li>• Green—The drive is in use and functioning properly.</li> <li>• Green, blinking—the driver is initializing following insertion or the driver is unloading following an eject command.</li> <li>• Amber—The drive has failed.</li> <li>• Amber, blinking—A drive Locate command has been issued in the software.</li> </ul>
2 PCIe	NVMe PCIe SSD activity (SFF, 8-drives version only)	<ul style="list-style-type: none"> <li>• Off—No drive activity.</li> <li>• Green, blinking—There is drive activity.</li> </ul>
3	Power button/LED	<ul style="list-style-type: none"> <li>• Off—There is no AC power to the server.</li> <li>• Amber—The server is in standby power mode. Power is supplied only to the Cisco IMC and some motherboard functions.</li> <li>• Green—The server is in main power mode. Power is supplied to all server components.</li> </ul>
4	Unit Identification	<ul style="list-style-type: none"> <li>• Off—The unit identification function is not in use.</li> <li>• Blue—The unit identification function is activated.</li> </ul>

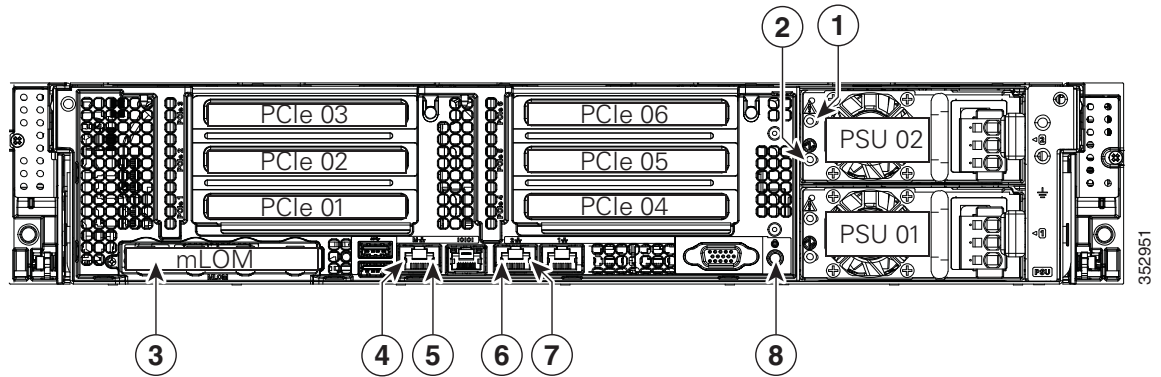
Table 3-1 Front Panel LEDs, Definitions of States (continued)

	LED Name	State
5	System status	<ul style="list-style-type: none"> <li>• Green—The server is running in a normal operating condition.</li> <li>• Green, blinking—The server is performing system initialization and memory check.</li> <li>• Amber, steady—The server is in a degraded operational state. For example:               <ul style="list-style-type: none"> <li>– Power supply redundancy is lost.</li> <li>– CPUs are mismatched.</li> <li>– At least one CPU is faulty.</li> <li>– At least one DIMM is faulty.</li> <li>– At least one drive in a RAID configuration failed.</li> </ul> </li> <li>• Amber, blinking—The server is in a critical fault state. For example:               <ul style="list-style-type: none"> <li>– Boot failed.</li> <li>– Fatal CPU and/or bus error is detected.</li> <li>– Server is in an over-temperature condition.</li> </ul> </li> </ul>
6	Fan status	<ul style="list-style-type: none"> <li>• Green—All fan modules are operating properly.</li> <li>• Amber, steady—One or more fan modules breached the critical threshold.</li> <li>• Amber, blinking—One or more fan modules breached the non-recoverable threshold.</li> </ul>
7	Temperature status	<ul style="list-style-type: none"> <li>• Green—The server is operating at normal temperature.</li> <li>• Amber, steady—One or more temperature sensors breached the critical threshold.</li> <li>• Amber, blinking—One or more temperature sensors breached the non-recoverable threshold.</li> </ul>
8	Power supply status	<ul style="list-style-type: none"> <li>• Green—All power supplies are operating normally.</li> <li>• Amber, steady—One or more power supplies are in a degraded operational state.</li> <li>• Amber, blinking—One or more power supplies are in a critical fault state.</li> </ul>
9	Network link activity	<ul style="list-style-type: none"> <li>• Off—The Ethernet link is idle.</li> <li>• Green—One or more Ethernet LOM ports are link-active, but there is no activity.</li> <li>• Green, blinking—One or more Ethernet LOM ports are link-active, with activity.</li> </ul>

## Rear Panel LEDs and Buttons

Figure 3-2 shows the rear panel LEDs and buttons. Table 3-2 defines the LED states.

Figure 3-2 Rear Panel LEDs and Buttons



1	Power supply fault LED	5	1-Gb Ethernet dedicated management link status LED
2	Power supply AC status LED	6	1-Gb Ethernet link speed LED
3	Optional mLOM card LEDs (not shown, see Table 3-2)	7	1-Gb Ethernet link status LED
4	1-Gb Ethernet dedicated management link speed LED	8	Unit Identification button/LED

Table 3-2 Rear Panel LEDs, Definitions of States

LED Name	State
1 Power supply fault This is a summary; for advanced power supply LED information, see Table 3-3.	<ul style="list-style-type: none"> <li>Off—The power supply is operating normally.</li> <li>Amber, blinking—An event warning threshold has been reached, but the power supply continues to operate.</li> <li>Amber, solid—A critical fault threshold has been reached, causing the power supply to shut down (for example, a fan failure or an over-temperature condition).</li> </ul>
2 Power supply status This is a summary; for advanced power supply LED information, see Table 3-3.	<p>AC power supplies:</p> <ul style="list-style-type: none"> <li>Off—There is no AC power to the power supply.</li> <li>Green, blinking—AC power OK; DC output not enabled.</li> <li>Green, solid—AC power OK; DC outputs OK.</li> </ul> <p>DC power supplies:</p> <ul style="list-style-type: none"> <li>Off—There is no DC power to the power supply.</li> <li>Green, blinking—DC power OK; DC output not enabled.</li> <li>Green, solid—DC power OK; DC outputs OK.</li> </ul>

**Table 3-2** Rear Panel LEDs, Definitions of States (continued)

	LED Name	State
3	Optional mLOM 10-Gb SFP+ (there is a single status LED)	<ul style="list-style-type: none"> <li>• Off—No link is present.</li> <li>• Green, steady—Link is active.</li> <li>• Green, blinking—Traffic is present on the active link.</li> </ul>
3	Optional mLOM 10-Gb BASE-T link speed	<ul style="list-style-type: none"> <li>• Off—Link speed is 10 Mbps.</li> <li>• Amber—Link speed is 100 Mbps/1 Gbps.</li> <li>• Green—Link speed is 10 Gbps.</li> </ul>
3	Optional mLOM 10-Gb BASE-T link status	<ul style="list-style-type: none"> <li>• Off—No link is present.</li> <li>• Green—Link is active.</li> <li>• Green, blinking—Traffic is present on the active link.</li> </ul>
4	1-Gb Ethernet dedicated management link speed	<ul style="list-style-type: none"> <li>• Off—Link speed is 10 Mbps.</li> <li>• Amber—Link speed is 100 Mbps.</li> <li>• Green—Link speed is 1 Gbps.</li> </ul>
5	1-Gb Ethernet dedicated management link status	<ul style="list-style-type: none"> <li>• Off—No Link is present.</li> <li>• Green—Link is active.</li> <li>• Green, blinking—Traffic is present on the active link.</li> </ul>
6	1-Gb Ethernet link speed	<ul style="list-style-type: none"> <li>• Off—Link speed is 10 Mbps.</li> <li>• Amber—Link speed is 100 Mbps.</li> <li>• Green—Link speed is 1 Gbps.</li> </ul>
7	1-Gb Ethernet link status	<ul style="list-style-type: none"> <li>• Off—No link is present.</li> <li>• Green—Link is active.</li> <li>• Green, blinking—Traffic is present on the active link.</li> </ul>
8	Unit Identification	<ul style="list-style-type: none"> <li>• Off—The unit identification function is not in use.</li> <li>• Blue—The unit identification function is activated.</li> </ul>



In [Table 3-3](#), read the status and fault LED states together in each row to determine the event that cause this combination.

**Table 3-3** *Rear Power Supply LED States*

Green PSU Status LED State	Amber PSU Fault LED State	Event
• Solid on	• Off	12V main on (main power mode)
• Blinking	• Off	12V main off (standby power mode)
• Off	• Off	No AC power input (all PSUs present)
• Off	• On	No AC power input (redundant supply active)
• Blinking	• Solid on	12V over-voltage protection (OVP)
• Blinking	• Solid on	12V under-voltage protection (UVP)
• Blinking	• Solid on	12V over-current protection (OCP)
• Blinking	• Solid on	12V short-circuit protection (SCP)
• Solid on	• Solid on	PSU fan fault/Lock (before OTP)
• Blinking	• Solid on	PSU fan fault/Lock (after OTP)
• Blinking	• Solid on	Over-temperature protection (OTP)
• Solid on	• Blinking	OTP warning
• Solid on	• Blinking	OCP warning
• Blinking	• Off	12V main off (CR slave PSU is in sleep mode)

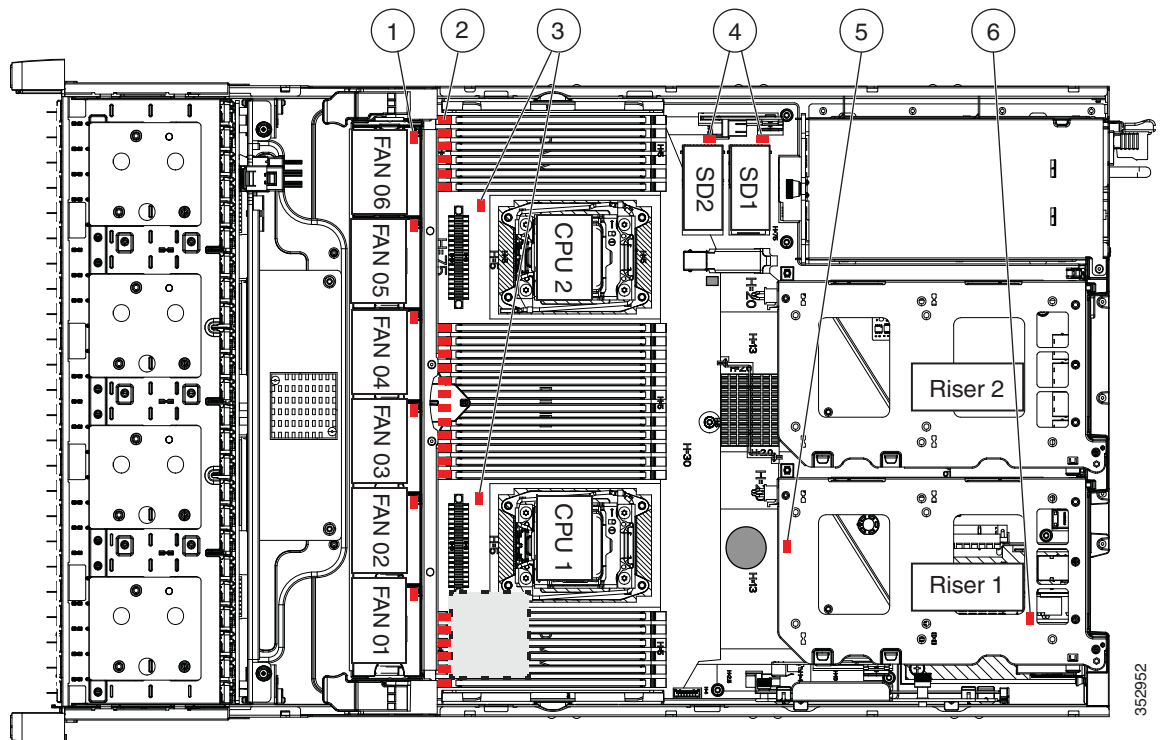
## Internal Diagnostic LEDs

The server is equipped with a supercap voltage source that can activate internal component fault LEDs up to 30 minutes after AC power is removed. The server has internal fault LEDs for CPUs, DIMMs, fan modules, SD cards, the RTC battery, and the mLOM card.

To use these LEDs to identify a failed component, press the front or rear Unit Identification button (see [Figure 3-1](#) or [Figure 3-2](#)) with AC power removed. An LED lights amber to indicate a faulty component.

See [Figure 3-3](#) for the locations of these internal LEDs.

**Figure 3-3** Internal Diagnostic LED Locations



1	Fan module fault LEDs (one on each fan module)	4	SD card fault LEDs
2	DIMM fault LEDs (one directly in front of each DIMM socket on the motherboard)	5	RTC battery fault LED (under PCIe riser 1)
3	CPU fault LEDs	6	mLOM card fault LED (under PCIe riser 1)

**Table 3-4** Internal Diagnostic LEDs, Definition of States

LED Name	State
Internal diagnostic LEDs (all)	<ul style="list-style-type: none"> <li>Off—Component is functioning normally.</li> <li>Amber—Component has a fault.</li> </ul>

# Preparing for Server Component Installation

This section describes how to prepare for component installation, and it includes the following topics:

- [Required Equipment, page 3-9](#)
- [Shutting Down and Powering Off the Server, page 3-9](#)
- [Removing and Replacing the Server Top Cover, page 3-10](#)
- [Serial Number Location, page 3-12](#)
- [Hot-Swap or Hot-Plug Replacement, page 3-12](#)

## Required Equipment

The following equipment is used to perform the procedures in this chapter:

- Number 2 Phillips-head screwdriver
- Electrostatic discharge (ESD) strap or other grounding equipment such as a grounded mat

## Shutting Down and Powering Off the Server

The server can run in two power modes:

- Main power mode—Power is supplied to all server components and any operating system on your drives can run.
- Standby power mode—Power is supplied only to the service processor and the cooling fans and it is safe to power off the server from this mode.

You can invoke a graceful shutdown or a hard shutdown by using either of the following methods:

- Use the Cisco IMC management interface.
- Use the **Power** button on the server front panel. To use the **Power** button, follow these steps:

- 
- Step 1** Check the color of the Power Status LED (see the “[Front Panel LEDs](#)” section on page 3-2).
- Green—The server is in main power mode and must be shut down before it can be safely powered off. Go to [Step 2](#).
  - Amber—The server is already in standby mode and can be safely powered off. Go to [Step 3](#).

- Step 2** Invoke either a graceful shutdown or a hard shutdown:



### Caution

To avoid data loss or damage to your operating system, you should always invoke a graceful shutdown of the operating system.

- Graceful shutdown—Press and release the **Power** button. The operating system performs a graceful shutdown and the server goes to standby mode, which is indicated by an amber Power Status LED.
- Emergency shutdown—Press and hold the **Power** button for 4 seconds to force the main power off and immediately enter standby mode.

- Step 3** Disconnect the power cords from the power supplies in your server to completely power off the server.
-

## Removing and Replacing the Server Top Cover

---

- Step 1** Remove the top cover (see [Figure 3-4](#)).
- If the cover latch is locked, use a screwdriver to turn the lock 90-degrees counterclockwise to unlock it. See [Figure 3-4](#).
  - Lift on the end of the latch that has the green finger grip. The cover is pushed back to the open position as you lift the latch.
  - Lift the top cover straight up from the server and set it aside.

- Step 2** Replace the top cover:



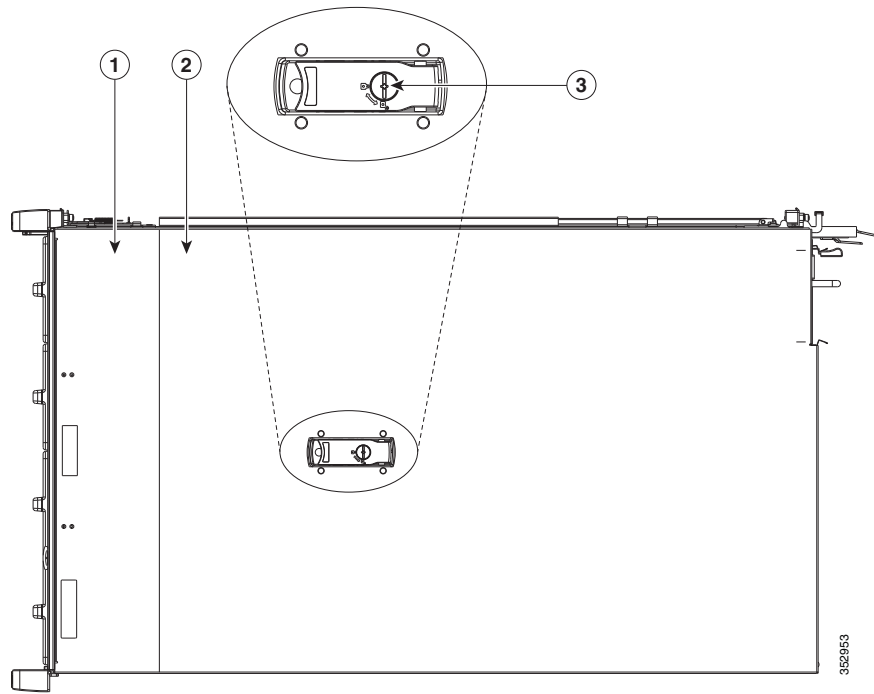
---

**Note** The latch must be in the fully open position when you set the cover back in place, which allows the opening in the latch to sit over a peg that is on the fan tray.

---

- With the latch in the fully open position, place the cover on top of the server about one-half inch (1.27 cm) behind the lip of the front cover panel. The opening in the latch should fit over the peg that sticks up from the fan tray.
- Press the cover latch down to the closed position. The cover is pushed forward to the closed position as you push down the latch.
- If desired, lock the latch by using a screwdriver to turn the lock 90-degrees clockwise.

Figure 3-4 Removing the Top Cover



1	Front cover panel	3	Locking cover latch
2	Top cover		

## Serial Number Location

The serial number (SN) for the server is printed on a label on the top of the server, near the front.

## Hot-Swap or Hot-Plug Replacement

Some components can be removed and replaced without powering off and removing AC power from the server.

- Hot-swap replacement—You do not have to precondition or shut down the component in the software before you remove it for the following components:
  - SAS/SATA hard drives or SSDs
  - Cooling fan modules
  - Power supplies (when 1+1 redundant)
- Hot-plug replacement—You must take the component offline before removing it for the following component:
  - NVMe PCIe SSDs

# Installing or Replacing Server Components

**Warning**

Blank faceplates and cover panels serve three important functions: they prevent exposure to hazardous voltages and currents inside the chassis; they contain electromagnetic interference (EMI) that might disrupt other equipment; and they direct the flow of cooling air through the chassis. Do not operate the system unless all cards, faceplates, front covers, and rear covers are in place.

Statement 1029

**Caution**

When handling server components, wear an ESD strap to avoid damage.

**Tip**

You can press the Unit Identification button on the front panel or rear panel to turn on a flashing Unit Identification LED on the front and rear panels of the server. This button allows you to locate the specific server that you are servicing when you go to the opposite side of the rack. You can also activate these LEDs remotely by using the Cisco IMC interface. See the [“Status LEDs and Buttons” section on page 3-2](#) for locations of these LEDs.

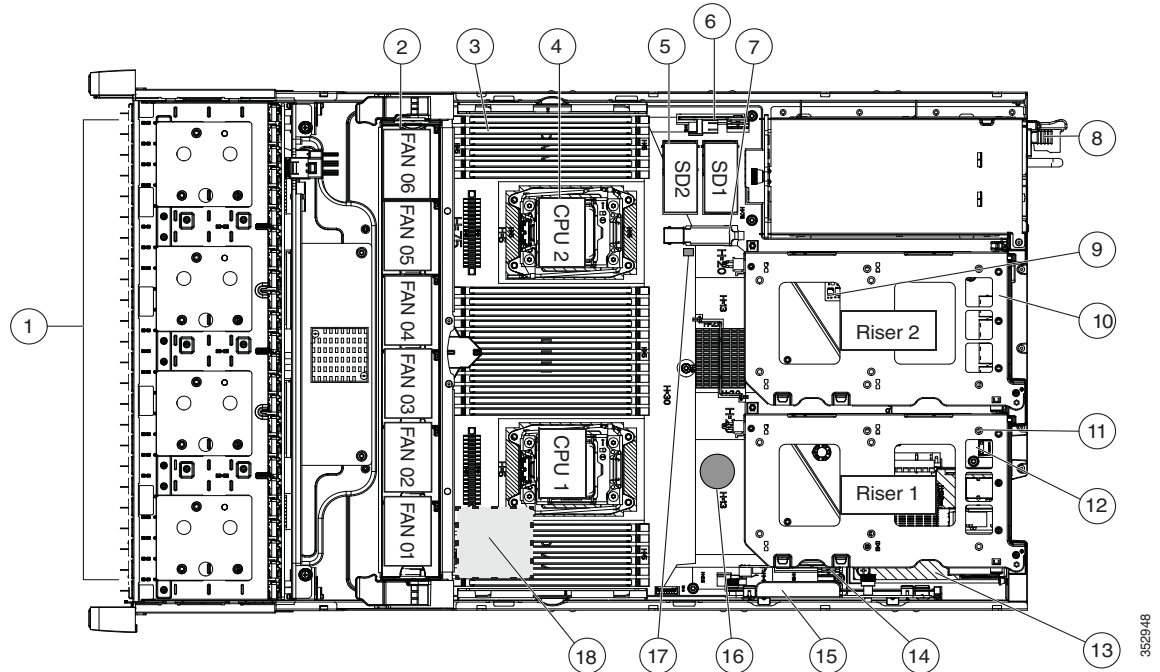
This section describes how to install and replace server components, and it includes the following topics:

- [Replaceable Component Locations, page 3-14](#)
- [Replacing SAS/SATA Hard Drives or Solid State Drives, page 3-15](#)
- [Replacing NVMe PCIe Solid State Drives, page 3-19](#)
- [Replacing Fan Modules, page 3-23](#)
- [Replacing DIMMs, page 3-25](#)
- [Replacing CPUs and Heatsinks, page 3-29](#)
- [Replacing a SATA Interposer Board, page 3-34](#)
- [Replacing a Cisco Modular RAID Controller Card, page 3-36](#)
- [Replacing a Modular RAID Controller Transportable Memory Module \(TMM\), page 3-38](#)
- [Replacing the Supercap Power Module \(RAID Backup Battery\), page 3-40](#)
- [Replacing a Software RAID 5 Key Module, page 3-42](#)
- [Replacing the Motherboard RTC Battery, page 3-44](#)
- [Replacing an Internal SD Card, page 3-45](#)
- [Enabling or Disabling the Internal USB Port, page 3-46](#)
- [Replacing a PCIe Riser, page 3-47](#)
- [Replacing a PCIe Card, page 3-49](#)
- [Installing an NVIDIA GPU Card, page 3-57](#)
- [Replacing Internal SATA Boot Drives, page 3-57](#)
- [Installing a Trusted Platform Module \(TPM\), page 3-59](#)
- [Replacing Power Supplies, page 3-64](#)
- [Replacing an mLOM Card, page 3-69](#)

## Replaceable Component Locations

Figure 3-5 shows the locations of the components that are supported as field-replaceable. The view shown is from the top down, with the top covers and air baffle removed.

Figure 3-5 Replaceable Component Locations



1	Drives bays. All drive bays support SAS/SATA drives. SFF, 8-, 16-, and 24-drive versions only: Drive bays 1 and 2 support SAS/SATA drives and NVMe PCIe SSDs. NVMe drives require a PCIe interposer board for PCIe bus connection (see item 6).	10	PCIe riser 2 (PCIe slots 4, 5, 6)
2	Fan modules (six, hot-swappable)	11	PCIe riser 1 (PCIe slots 1, 2, 3*) *Slot 3 not present in all versions. See <a href="#">Replacing a PCIe Card, page 3-49</a> for riser options and slot specifications.
3	DIMM sockets on motherboard (up to 24 DIMMs)	12	SATA boot drives (two sockets available only on PCIe riser 1 option 1C)
4	CPUs and heatsinks (two)	13	mLOM card socket on motherboard under PCIe riser 1
5	Cisco SD card slots on motherboard (two)	14	Socket for embedded RAID interposer board
6	PCIe interposer board socket	15	Cisco modular RAID controller PCIe slot (dedicated slot and bracket)
7	USB 3.0 slot on motherboard	16	RTC battery on motherboard
8	Power supplies (hot-swappable, accessed through rear panel)	17	Embedded RAID header for RAID 5 key
9	Trusted platform module (TPM) socket on motherboard, under PCIe riser 2	18	Supercap power module (RAID backup) mounting location on air baffle (not shown)

The Technical Specifications Sheets for all versions of this server, which include supported component part numbers, are at [Cisco UCS Servers Technical Specifications Sheets](#).



## Replacing SAS/SATA Hard Drives or Solid State Drives

This section includes the following information:

- [SAS/SATA Drive Population Guidelines, page 3-15](#)
- [Replacing SAS/SATA Drives, page 3-18](#)

### SAS/SATA Drive Population Guidelines

The server is orderable in four different versions, each with one of four different front panel/backplane configurations:

- Cisco UCS C240 M4—Small form-factor (SFF) drives with 24-drive backplane and expander. This version holds up to 24 2.5-inch SAS/SATA hard drives or solid state drives (SSDs). SAS/SATA drives are hot-swappable.
- Cisco UCS C240 M4—SFF drives, with 16-drive backplane and integrated expander. This version holds up to 16 2.5-inch SAS/SATA hard drives or solid state drives. SAS/SATA drives are hot-swappable.
- Cisco UCS C240 M4—SFF drives, with 8-drive direct-connect backplane and no expander. This version holds up to 8 2.5-inch SAS/SATA hard drives or solid state drives. SAS/SATA drives are hot-swappable.
- Cisco UCS C240 M4—Large form-factor (LFF) drives, with 12-drive backplane and integrated expander. This version holds up to 12 3.5-inch SAS/SATA hard drives. SAS/SATA drives are hot-swappable.

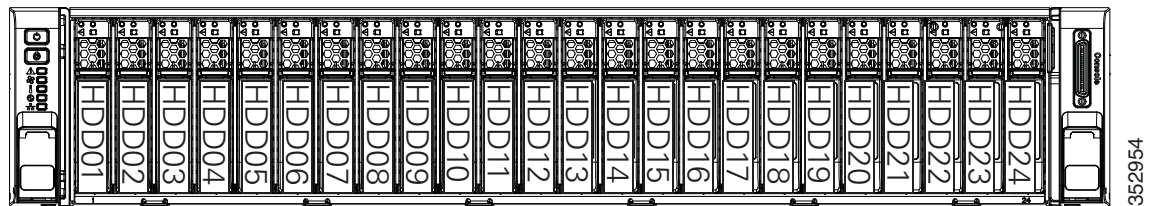


Note

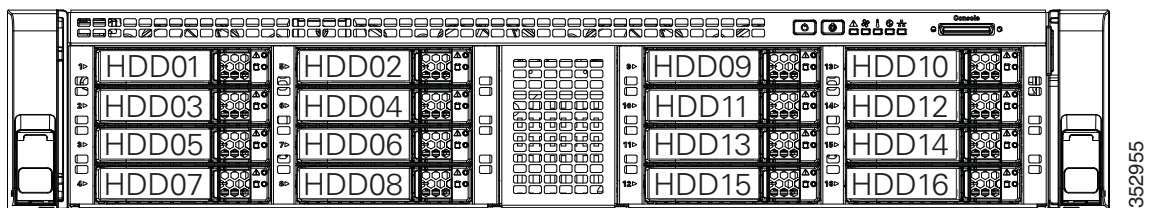
You cannot change the backplane type after-factory. To change a front panel/backplane configuration, a chassis replacement is required.

The drive-bay numbering for all server versions is shown in [Figure 3-6](#) through [Figure 3-9](#).

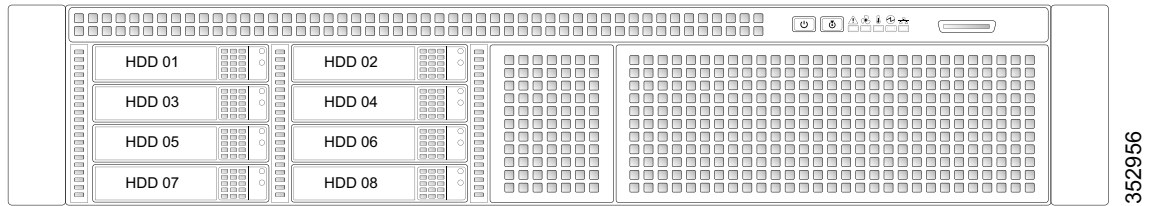
**Figure 3-6** Drive Numbering, SFF Drives, 24-Drive Version



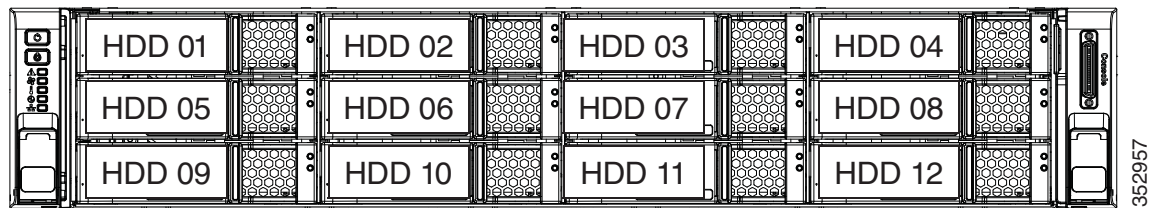
**Figure 3-7** Drive Numbering, SFF Drives, 16-Drive Version



**Figure 3-8** Drive Numbering, SFF Drives, 8-Drive Version



**Figure 3-9** Drive Numbering, LFF Drives, 12-Drive Version



Observe these drive population guidelines for optimal performance:

- When populating drives, add drives in the lowest numbered bays first.
- Keep an empty drive blanking tray in any unused bays to ensure optimal airflow and cooling.
- You can mix hard drives and solid state drives in the same server. However, you cannot configure a logical volume (virtual drive) that contains a mix of hard drives and SSDs. That is, when you create a logical volume, it must contain all hard drives or all SSDs.

#### 4K Sector Format Drives Considerations

- You must boot 4K sector format drives in UEFI mode, not legacy mode. See [Setting Up Booting in UEFI Mode in the BIOS Setup Utility, page 3-17](#) or [Setting Up Booting in UEFI Mode in the Cisco IMC GUI, page 3-17](#).
- Do not configure 4K sector format and 512-byte sector format drives as part of the same RAID volume.
- Operating system support on 4K sector drives is as follows: Windows: Win2012 and Win2012R2; Linux: RHEL 6.5, 6.6, 6.7, 7.0, 7.2; SLES 11 SP3, and SLES 12. ESXi/Vmware is not supported.

### Setting Up Booting in UEFI Mode in the BIOS Setup Utility

- 
- Step 1 Enter the BIOS setup utility by pressing the **F2** key when prompted during bootup.
  - Step 2 Go to the **Boot Options** tab.
  - Step 3 Set **UEFI Boot Options** to **Enabled**.
  - Step 4 Under **Boot Option Priorities**, set your OS installation media (such as a virtual DVD) as your **Boot Option #1**.
  - Step 5 Go to the **Advanced** tab.
  - Step 6 Select **LOM and PCIe Slot Configuration**.
  - Step 7 Set the **PCIe Slot ID: HBA Option ROM** to **UEFI Only**.
  - Step 8 Press **F10** to save changes and exit the BIOS setup utility. Allow the server to reboot.
  - Step 9 After the OS installs, verify the installation:
    - a. Enter the BIOS setup utility by pressing the **F2** key when prompted during bootup.
    - b. Go to the **Boot Options** tab.
    - c. Under **Boot Option Priorities**, verify that the OS you installed is listed as your **Boot Option #1**.
- 

### Setting Up Booting in UEFI Mode in the Cisco IMC GUI

- 
- Step 1 Use a web browser and the IP address of the server to log into the Cisco IMC GUI management interface.
  - Step 2 Navigate to **Server > BIOS**.
  - Step 3 Under **Actions**, click **Configure BIOS**.
  - Step 4 In the Configure BIOS Parameters dialog, select the **Advanced** tab.
  - Step 5 Go to the **LOM and PCIe Slot Configuration** section.
  - Step 6 Set the **PCIe Slot: HBA Option ROM** to **UEFI Only**.
  - Step 7 Click **Save Changes**. The dialog closes.
  - Step 8 Under **BIOS Properties**, set **Configured Boot Order** to **UEFI**.
  - Step 9 Under **Actions**, click **Configure Boot Order**.
  - Step 10 In the Configure Boot Order dialog, click **Add Local HDD**.
  - Step 11 In the Add Local HDD dialog, enter the information for the 4K sector format drive and make it first in the boot order.
  - Step 12 Save changes and reboot the server. The changes you made will be visible after the system reboots.
-

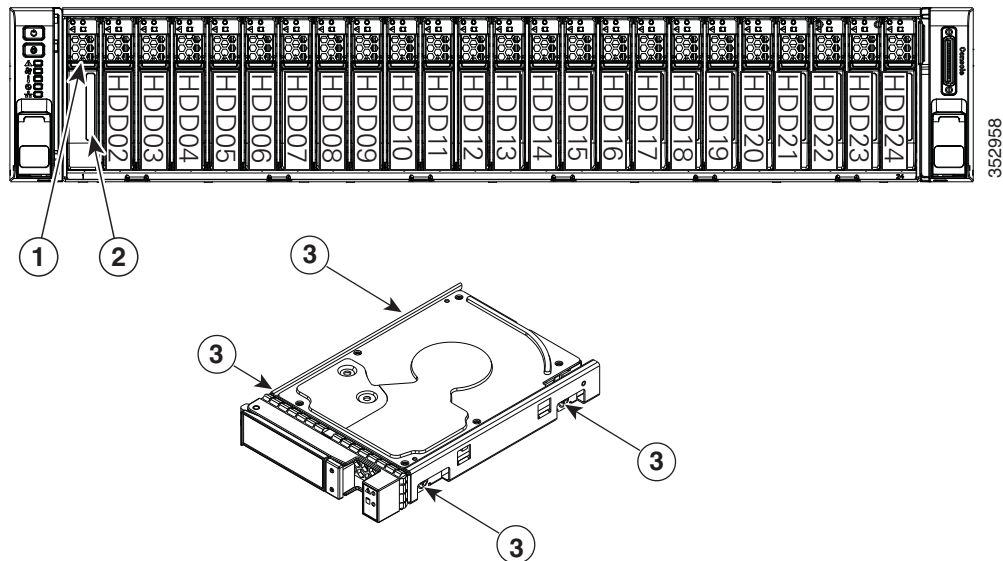
## Replacing SAS/SATA Drives


**Tip**

You do not have to shut down or power off the server to replace SAS/SATA hard drives or solid state drives (SSDs) because they are hot-swappable. To replace an NVMe PCIe SSD drive, which must be shut down before removal, see [Replacing NVMe PCIe Solid State Drives, page 3-19](#).

- Step 1** Remove the drive that you are replacing or remove a blank drive tray from an empty bay:
- Press the release button on the face of the drive tray. See [Figure 3-10](#).
  - Grasp and open the ejector lever and then pull the drive tray out of the slot.
  - If you are replacing an existing drive, remove the four drive-tray screws that secure the drive to the tray and then lift the drive out of the tray.
- Step 2** Install a new drive:
- Place a new drive in the empty drive tray and replace the four drive-tray screws.
  - With the ejector lever on the drive tray open, insert the drive tray into the empty drive bay.
  - Push the tray into the slot until it touches the backplane, and then close the ejector lever to lock the drive in place.

**Figure 3-10** Replacing Drives



1	Release button	3	Drive tray securing screws (four)
2	Ejector lever		—

## Replacing NVMe PCIe Solid State Drives

- [NVMe PCIe SSD Population Guidelines, page 3-19](#)
- [NVMe PCIe SSD Requirements and Restrictions, page 3-19](#)
- [Replacing an NVMe PCIe SSD, page 3-19](#)
- [Installing a PCIe Interposer Board, page 3-20](#)

### NVMe PCIe SSD Population Guidelines

The SFF versions of the server (8-, 16-, and 24-drive) support up to two NVMe PCIe solid state drives (SSDs) in drive bays 1 and 2 only.

### NVMe PCIe SSD Requirements and Restrictions

Observe these requirements for NVMe PCIe SSDs:

- The SFF 8-drives, 16-drives, or 24-drives version of the server.
- The PCIe interposer board with bundled cables for your server version:
  - SFF 8- or 16-drives server: UCSC-IP-SSD-240M4
  - SFF 24-drives server: UCSC-IP-SSD-240M4B
- The server must have two CPUs. The PCIe interposer board is not available in a single-CPU system.

Observe these restrictions for NVMe PCIe SSDs:

- You cannot boot from an NVMe PCIe SSD.
- You cannot control an NVMe PCIe SSD with a SAS RAID controller because they communicate with the server via the PCIe bus.



#### Caution

NVMe PCIe SSDs are hot-pluggable, which means that you must shut down the drive before removal, but you do not have to fully power off the server. To replace a SAS/SATA drive, see [Replacing SAS/SATA Drives, page 3-18](#).

### Replacing an NVMe PCIe SSD

For information about drive tray LEDs, see [Front Panel LEDs, page 3-2](#).

- 
- Step 1** Remove an existing NVMe PCIe SSD:
- a. Shut down the NVMe PCIe SSD. Use your operating system interface to shut down the drive, and then observe the drive-tray LED:
    - Green—The drive is in use and functioning properly. Do not remove.
    - Green, blinking—the driver is unloading following a shutdown command. Do not remove.
    - Off—The drive is not in use and can be safely removed.
  - b. Press the release button on the face of the drive tray. See [Figure 3-10](#).
  - c. Grasp and open the ejector lever and then pull the drive tray out of the slot.

- d. If you are replacing an existing SSD, remove the four drive tray screws that secure the SSD to the tray and then lift the SSD out of the tray.

**Note**

---

If this is the first time that NVMe PCIe SSDs are being installed in the server, you must install a PCIe interposer board and connect its cables before installing the drive. See [Installing a PCIe Interposer Board, page 3-20](#).

---

**Step 2** Install a new NVMe PCIe SSD:

- a. Place a new SSD in the empty drive tray and replace the four drive tray screws.
- b. With the ejector lever on the drive tray open, insert the drive tray into the empty drive bay.
- c. Push the tray into the slot until it touches the backplane, and then close the ejector lever to lock the drive in place.

**Step 3** Observe the drive-tray LED and wait until it returns to solid green before accessing the drive:

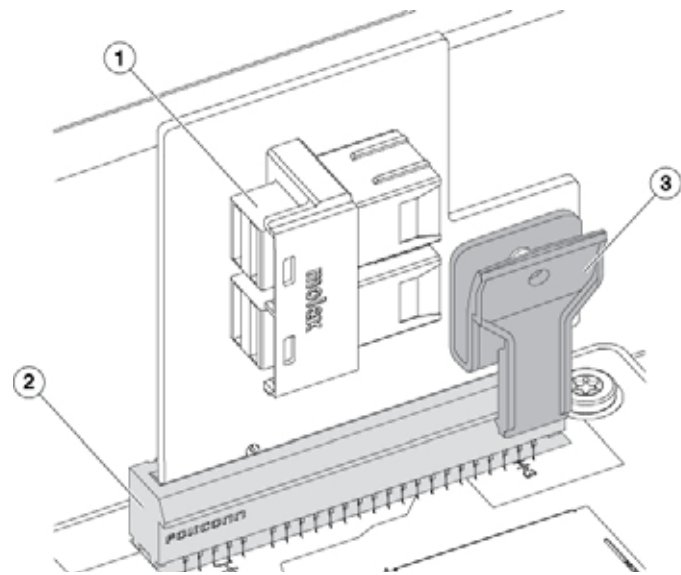
- Off—The drive is not in use.
  - Green, blinking—the driver is initializing following hot-plug insertion.
  - Green—The drive is in use and functioning properly.
- 

## Installing a PCIe Interposer Board


A PCIe interposer board is used to provide communication with the PCIe bus from the NVMe PCIe SSDs in the front panel bays. Use the correct interposer board, with bundled cables, for your version of the server:

- SFF 8-drive or 16-drive: UCSC-IP-SSD-240M4
- SFF 24-drive: UCSC-IP-SSD-240M4B

Figure 3-11 PCIe Interposer Board

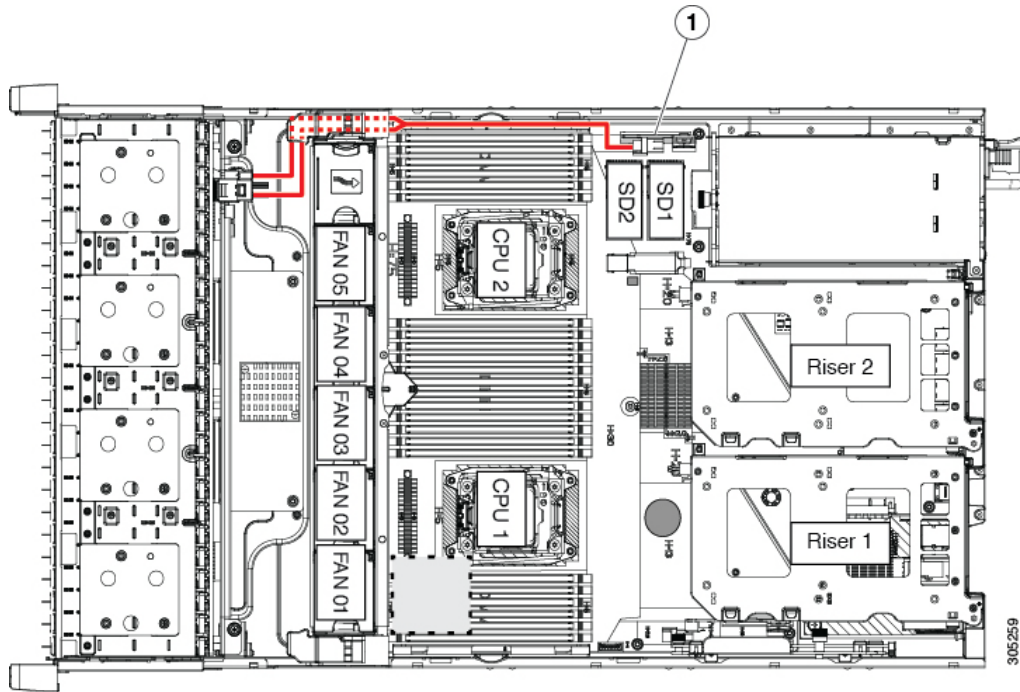


1	Connector for PCIe cable	3	Securing clip on interposer board
2	Motherboard socket		

- Step 1** Power off the server as described in [Shutting Down and Powering Off the Server, page 3-9](#).
- Step 2** Slide the server out the front of the rack far enough so that you can remove the top cover. You might have to detach cables from the rear panel to provide clearance.
-  **Caution** If you cannot safely view and access the component, remove the server from the rack.
- Step 3** Remove the top cover as described in [Removing and Replacing the Server Top Cover, page 3-10](#).
- Step 4** Install a new PCIe interposer board:
- Locate the PCIe interposer board socket on the motherboard (see [Figure 3-12](#)).
  - Pinch the securing clip on the board while you insert the board to the socket as shown in [Figure 3-11](#).
  - Carefully push down to seat the board, then release the securing clip.
- Step 5** Connect the two cables that come with the interposer board:
- Connect the double-connector end of the cable to the interposer board (see [Figure 3-11](#)).
  - Route the cables to the front of the server using the recommended path through the chassis cable guides as shown in [Figure 3-12](#).
  - Connect the two ends of the cable to the PCIe connectors on the drive backplane.
 

Connect the cable labeled Port A to the Port A connector; connect the cable labeled Port B to the Port B connector.
- Step 6** Replace the top cover.
- Step 7** Replace the server in the rack, replace cables, and then power on the server by pressing the **Power** button.

Figure 3-12 PCIe Interposer Board Cabling



1	PCIe interposer board socket on motherboard
---	---



## Replacing Fan Modules

The six hot-swappable fan modules in the server are numbered as follows when you are facing the front of the server.

**Figure 3-13 Fan Module Numbering**

FAN 6	FAN 5	FAN 4	FAN 3	FAN 2	FAN 1
-------	-------	-------	-------	-------	-------



### Tip

A fault LED is on the top of each fan module that lights amber if the fan module fails. To operate these LEDs from the SuperCap power source, remove AC power cords and then press the Unit Identification button. See also [Internal Diagnostic LEDs, page 3-8](#).



### Caution

You do not have to shut down or power off the server to replace fan modules because they are hot-swappable. However, to maintain proper cooling, do not operate the server for more than one minute with any fan module removed.

### Step 1

Slide the server out the front of the rack far enough so that you can remove the top cover. You might have to detach cables from the rear panel to provide clearance.



### Caution

If you cannot safely view and access the component, remove the server from the rack.

### Step 2

Remove the top cover as described in [Removing and Replacing the Server Top Cover, page 3-10](#).

### Step 3

Identify a faulty fan module by looking for a fan fault LED that is lit amber (see [Figure 3-14](#)).

### Step 4

Remove a fan module that you are replacing (see [Figure 3-14](#)):

- a. Grasp the top of the fan and pinch the green plastic latch toward the center.
- b. Lift straight up to remove the fan module from the server.

### Step 5

Install a new fan module:

- a. Set the new fan module in place, aligning the connector on the bottom of the fan module with the connector on the motherboard.



### Note

The arrow label on the top of the fan module, which indicates the direction of airflow, should point toward the rear of the server.

- b. Press down gently on the fan module until the latch clicks and locks in place.

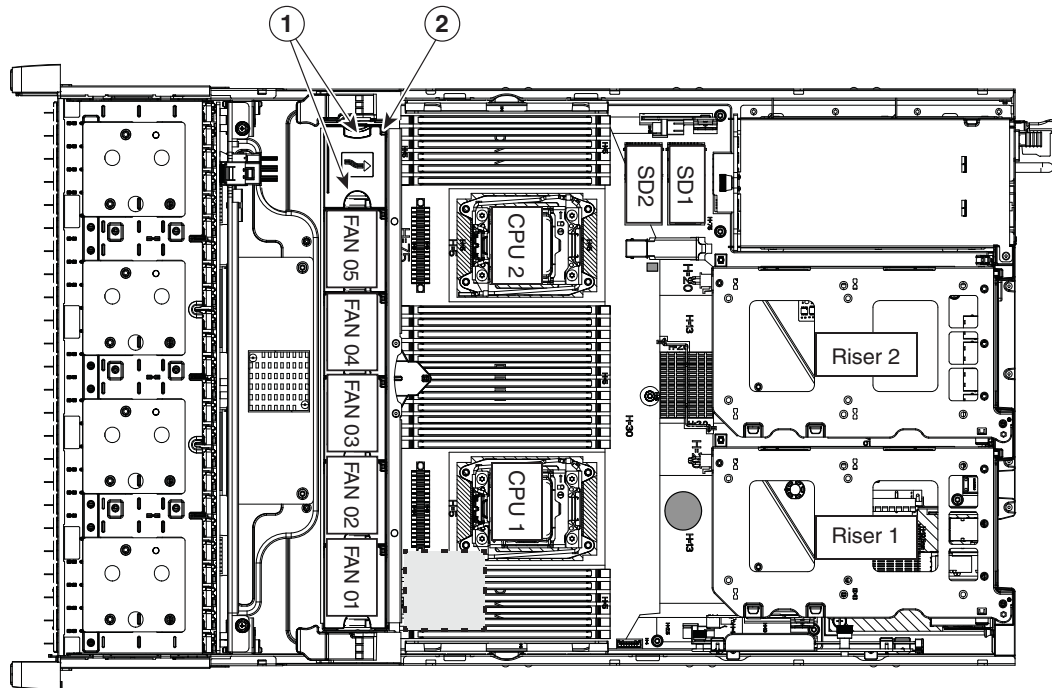
### Step 6

Replace the top cover.

### Step 7

Replace the server in the rack.

Figure 3-14 Fan Modules Latch and Fault LED



352050

1	Finger latch (on each fan module)	2	Fan module fault LED (on each fan module)
---	-----------------------------------	---	---

## Replacing DIMMs

This section includes the following topics:

- [Memory Performance Guidelines and Population Rules, page 3-25](#)
- [DIMM Replacement Procedure, page 3-28](#)



**Caution**

---

DIMMs and their sockets are fragile and must be handled with care to avoid damage during installation.

---



**Caution**

---

Cisco does not support third-party DIMMs. Using non-Cisco DIMMs in the server might result in system problems or damage to the motherboard.

---



**Note**

---

To ensure the best server performance, it is important that you are familiar with memory performance guidelines and population rules before you install or replace the memory.

---

## Memory Performance Guidelines and Population Rules

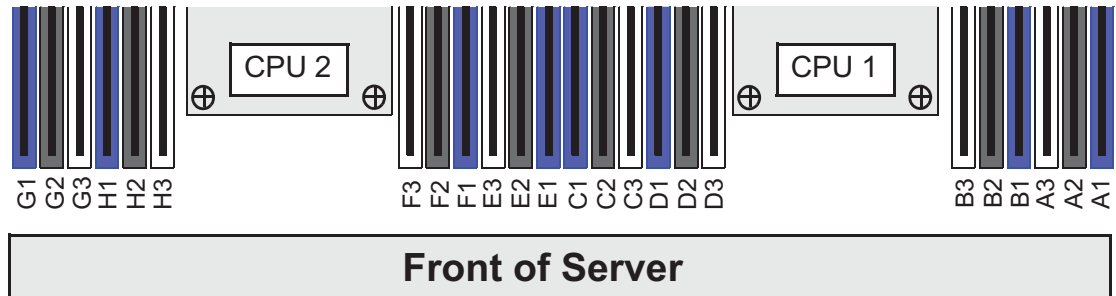
This section describes the type of memory that the server requires and its effect on performance. The section includes the following topics:

- [DIMM Socket Numbering, page 3-26](#)
- [DIMM Population Rules, page 3-26](#)
- [Memory Mirroring and RAS, page 3-27](#)
- [Lockstep Channel Mode, page 3-27](#)

## DIMM Socket Numbering

Figure 3-15 shows the numbering of the DIMM sockets and CPUs.

**Figure 3-15** CPUs and DIMM Socket Numbering on Motherboard



## DIMM Population Rules

Observe the following guidelines when installing or replacing DIMMs:

- Each CPU supports four memory channels.
  - CPU1 supports channels A, B, C, and D.
  - CPU2 supports channels E, F, G, and H.
- Each channel has three DIMM sockets (for example, channel A = slots A1, A2, and A3).
  - A channel can operate with one, two, or three DIMMs installed.
  - If a channel has only one DIMM, populate slot 1 first (the blue slot).
- When both CPUs are installed, populate the DIMM sockets of each CPU identically.
  - Fill blue #1 slots in the channels first: A1, E1, B1, F1, C1, G1, D1, H1
  - Fill black #2 slots in the channels second: A2, E2, B2, F2, C2, G2, D2, H2
  - Fill white #3 slots in the channels third: A3, E3, B3, F3, C3, G3, D3, H3
- Any DIMM installed in a DIMM socket for which the CPU is absent is not recognized. In a single-CPU configuration, populate the channels for CPU1 only (A, B, C, D).
- Memory mirroring reduces the amount of memory available by 50 percent because only one of the two populated channels provides data. When memory mirroring is enabled, you must install DIMMs in sets of 4, 6, 8, or 12 as described in [Memory Mirroring and RAS, page 3-27](#).
- NVIDIA GPUs can support only less than 1 TB of memory in the server. Therefore, do not install more than fourteen 64-GB DIMMs when using an NVIDIA GPU card in this server.
- Observe the DIMM mixing rules shown in [Table 3-5](#).

Table 3-5 DIMM Mixing Rules for C240 M4 Servers

DIMM Parameter	DIMMs in the Same Channel	DIMMs in the Same Bank
DIMM Capacity: RDIMM = 8 or 16 GB LRDIMM = 32 or 64 GB	<ul style="list-style-type: none"> <li>You can mix different capacity DIMMs in the same channel (for example, A1, A2, A3).</li> </ul>	<ul style="list-style-type: none"> <li>You can mix different capacity DIMMs in the same bank. However, for optimal performance DIMMs in the same bank (for example, A1, B1, C1, D1) should have the same capacity.</li> </ul>
DIMM Speed: 2133 or 2400 MHz	You can mix speeds, but DIMMs will run at the speed of the slowest DIMMs/CPUs installed in the channel.	You can mix speeds, but DIMMs will run at the speed of the slowest DIMMs/CPUs installed in the bank.
DIMM Type: RDIMMs or LRDIMMs	You cannot mix DIMM types in a channel.	You cannot mix DIMM types in a bank.

### Memory Mirroring and RAS

The Intel E5-2600 CPUs within the server support memory mirroring only when an even number of channels are populated with DIMMs. If one or three channels are populated with DIMMs, memory mirroring is automatically disabled. Furthermore, if memory mirroring is used, DRAM size is reduced by 50 percent for reasons of reliability.

For details on populating recommended memory mirroring configurations, see the specification sheet for the server:

- [Cisco UCS C240 M4 High Density Rack Server \(Small Form-Factor Disk Drive Model\) Specification Sheet](#)
- [Cisco UCS C240 M4 High Density Rack Server \(Large Form-Factor Disk Drive Model\) Specification Sheet](#)

### Lockstep Channel Mode

When you enable lockstep channel mode, each memory access is a 128-bit data access that spans four channels.

Lockstep channel mode requires that all four memory channels on a CPU must be populated identically with regard to size and organization. DIMM socket populations within a channel (for example, A1, A2, A3) do not have to be identical but the same DIMM slot location across all four channels must be populated the same.

For example, DIMMs in sockets A1, B1, C1, and D1 must be identical. DIMMs in sockets A2, B2, C2, and D2 must be identical. However, the A1-B1-C1-D1 DIMMs do not have to be identical with the A2-B2-C2-D2 DIMMs.

## DIMM Replacement Procedure

This section includes the following topics:

- [Identifying a Faulty DIMM, page 3-28](#)
- [Replacing DIMMs, page 3-28](#)

### Identifying a Faulty DIMM

Each DIMM socket has a corresponding DIMM fault LED, directly in front of the DIMM socket. See [Figure 3-3](#) for the locations of these LEDs. The LEDs light amber to indicate a faulty DIMM. To operate these LEDs from the SuperCap power source, remove AC power cords and then press the Unit Identification button.

### Replacing DIMMs

- 
- Step 1** Power off the server as described in [Shutting Down and Powering Off the Server, page 3-9](#).
- Step 2** Slide the server out the front of the rack far enough so that you can remove the top cover. You might have to detach cables from the rear panel to provide clearance.




---

**Caution** If you cannot safely view and access the component, remove the server from the rack.

---

- Step 3** Remove the top cover as described in [Removing and Replacing the Server Top Cover, page 3-10](#).
- Step 4** Remove the air baffle that sits over the DIMM sockets and set it aside.
- Step 5** Identify the faulty DIMM by observing the DIMM socket fault LEDs on the motherboard (see [Figure 3-3](#)).
- Step 6** Remove the DIMMs that you are replacing. Open the ejector levers at both ends of the DIMM socket, and then lift the DIMM out of the socket.
- Step 7** Install a new DIMM:




---

**Note** Before installing DIMMs, see the population guidelines. See [Memory Performance Guidelines and Population Rules, page 3-25](#).

---

- Align the new DIMM with the empty socket on the motherboard. Use the alignment key in the DIMM socket to correctly orient the DIMM.
  - Push down evenly on the top corners of the DIMM until it is fully seated and the ejector levers on both ends lock into place.
- Step 8** Replace the air baffle.
- Step 9** Replace the top cover.
- Step 10** Replace the server in the rack, replace cables, and then power on the server by pressing the **Power** button.
-

## Replacing CPUs and Heatsinks

This section contains the following topics:

- [Special Information For Upgrades to Intel Xeon v4 CPUs, page 3-29](#)
- [CPU Configuration Rules, page 3-29](#)
- [Replacing a CPU and Heatsink, page 3-30](#)
- [Additional CPU-Related Parts to Order with RMA Replacement Motherboards, page 3-33](#)

### Special Information For *Upgrades* to Intel Xeon v4 CPUs



#### Caution

You must upgrade your server firmware to the required minimum level *before* you upgrade to Intel v4 CPUs. Older firmware versions cannot recognize the new CPUs and this results in a non-bootable server.

The minimum software and firmware versions required for the server to support Intel v4 CPUs are as follows:

**Table 3-6** Minimum Requirements For Intel Xeon v4 CPUs

Software or Firmware	Minimum Version
Server CIMC	2.0(10)
Server BIOS	2.0(10)
Cisco UCS Manager (UCSM-managed system only)	3.1(0)

#### Do one of the following actions:

- If your server's firmware and/or Cisco UCS Manager software are already at the required levels shown in [Table 3-6](#), you can replace the CPU hardware by using the procedure in this section.
- If your server's firmware and/or Cisco UCS Manager software is earlier than the required levels, use the instructions in the [Cisco UCS C-Series Servers Upgrade Guide for Intel Xeon v4 CPUs](#) to upgrade your software. After you upgrade the software, return to the procedure in this section as directed to replace the CPU hardware.

## CPU Configuration Rules

This server has two CPU sockets. Each CPU supports four DIMM channels (12 DIMM sockets). See [Figure 3-15](#).

- The server can operate with one CPU or with two identical CPUs installed.
- The minimum configuration is that the server must have at least CPU1 installed. Install CPU1 first, and then CPU2.
- The following restrictions apply when using a single-CPU configuration:
  - The maximum number of DIMMs is 12 (only CPU1 channels A, B, C, and D).
  - PCIe riser 2, which contains PCIe slots 4, 5, and 6 is unavailable.
  - The PCIe SSD interposer board is unavailable.

## Replacing a CPU and Heatsink



### Caution

CPUs and their motherboard sockets are fragile and must be handled with care to avoid damaging pins during installation. The CPUs must be installed with heatsinks and their thermal grease to ensure proper cooling. Failure to install a CPU correctly might result in damage to the server.



### Note

This server uses the new independent loading mechanism (ILM) CPU sockets, so no Pick-and-Place tools are required for CPU handling or installation. Always grasp the plastic frame on the CPU when handling.

- Step 1** Power off the server as described in [Shutting Down and Powering Off the Server, page 3-9](#).
- Step 2** Slide the server out the front of the rack far enough so that you can remove the top cover. You might have to detach cables from the rear panel to provide clearance.



### Caution

If you cannot safely view and access the component, remove the server from the rack.

- Step 3** Remove the top cover as described in [Removing and Replacing the Server Top Cover, page 3-10](#).
- Step 4** Remove the plastic air baffle that sits over the CPUs.
- Step 5** Remove the heatsink that you are replacing:
- a. Use a Number 2 Phillips-head screwdriver to loosen the four captive screws that secure the heatsink.



### Note

Alternate loosening each screw evenly to avoid damaging the heatsink or CPU.



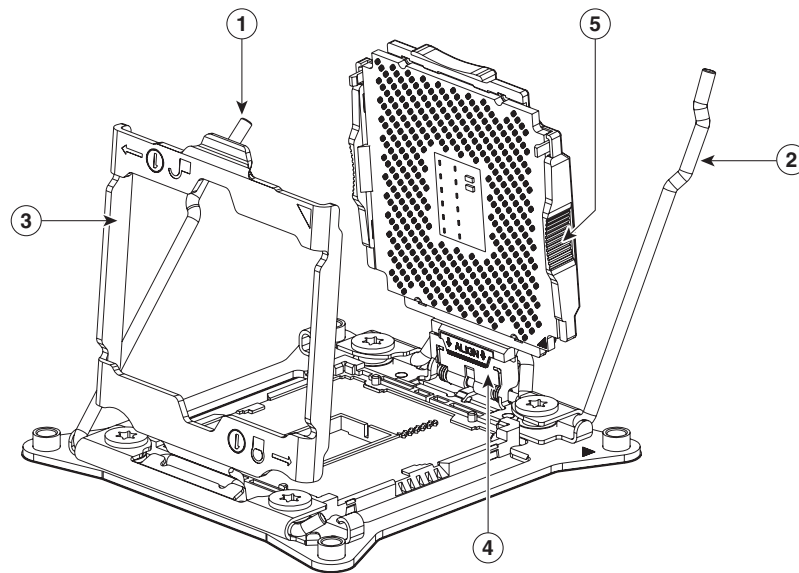


- b. Lift the heatsink off of the CPU.
- Step 6** Open the CPU retaining mechanism:
- a. Unclip the first retaining latch labeled with the  icon, and then unclip the second retaining latch labeled with the  icon. See [Figure 3-16](#).
  - b. Open the hinged CPU cover plate.



Figure 3-16 CPU Socket



1	CPU retaining latch 	4	Hinged CPU seat
2	CPU retaining latch 	5	Finger-grips on plastic CPU frame
3	Hinged CPU cover plate		

**Step 7** Remove any existing CPU:

- a. With the latches and hinged CPU cover plate open, swing the CPU in its hinged seat up to the open position, as shown in [Figure 3-16](#).
- b. Grasp the CPU by the finger-grips on its plastic frame and lift it up and out of the hinged CPU seat.
- c. Set the CPU aside on an antistatic surface.

**Step 8** Install a new CPU:



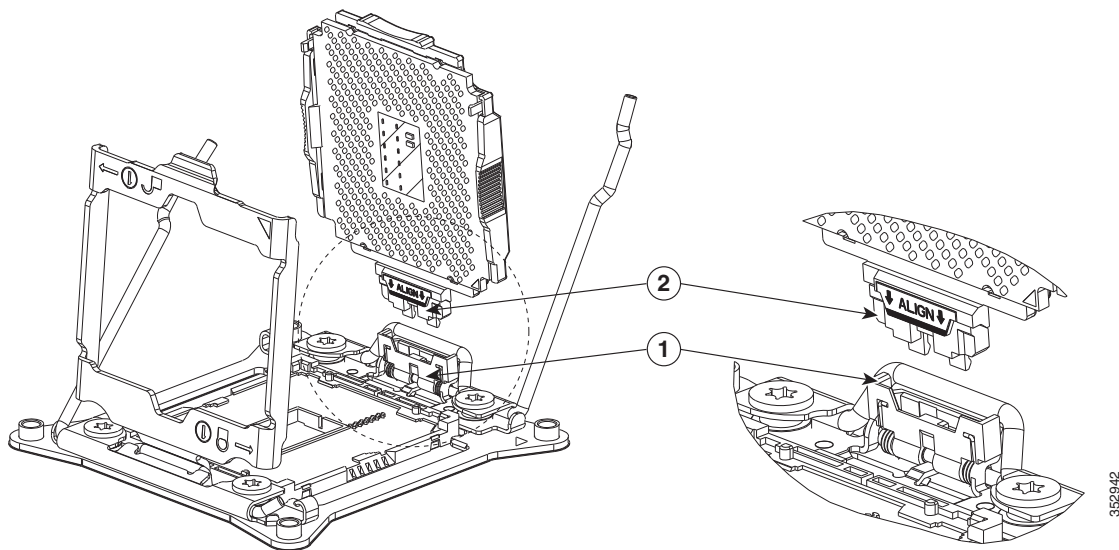
- a. Grasp the new CPU by the finger-grips on its plastic frame and align the tab on the frame that is labeled “ALIGN” with the hinged seat, as shown in [Figure 3-17](#).
- b. Insert the tab on the CPU frame into the seat until it stops and is held firmly.  
The line below the word “ALIGN” should be level with the edge of the seat, as shown in [Figure 3-17](#).
- c. Swing the hinged seat with the CPU down until the CPU frame clicks in place and holds flat in the socket.
- d. Close the hinged CPU cover plate.
- e. Clip down the CPU retaining latch with the  icon, and then clip down the CPU retaining latch with the  icon. See [Figure 3-16](#).

Figure 3-17 CPU and Socket Alignment Features



1	SLS mechanism on socket	2	Tab on CPU frame (labeled ALIGN)
---	-------------------------	---	----------------------------------

Step 9 Install a heat sink:



Caution

The heat sink must have new thermal grease on the heat sink-to-CPU surface to ensure proper cooling. If you are reusing a heat sink, you must remove the old thermal grease from the heatsink and the CPU surface. If you are installing a new heat sink, skip to Step c.

- a. Apply the cleaning solution, which is included with the heatsink cleaning kit (UCSX-HSCK=, shipped with spare CPUs), to the old thermal grease on the heatsink and CPU and let it soak for a least 15 seconds.
- b. Wipe all of the old thermal grease off the old heat sink and CPU using the soft cloth that is included with the heatsink cleaning kit. Be careful to not scratch the heat sink surface.



Note

New heatsinks come with a pre-applied pad of thermal grease. If you are reusing a heatsink, you must apply thermal grease from a syringe (UCS-CPU-GREASE3=).

- c. Align the four heatsink captive screws with the motherboard standoffs, and then use a Number 2 Phillips-head screwdriver to tighten the captive screws evenly.



Note

Alternate tightening each screw evenly to avoid damaging the heatsink or CPU.

Step 10 Replace the air baffle.

Step 11 Replace the top cover.

Step 12 Replace the server in the rack, replace cables, and then power on the server by pressing the **Power** button.

## Additional CPU-Related Parts to Order with RMA Replacement Motherboards

When a return material authorization (RMA) of the motherboard or CPU is done on a Cisco UCS C-series server, additional parts might not be included with the CPU or motherboard spare bill of materials (BOM). The TAC engineer might need to add the additional parts to the RMA to help ensure a successful replacement.

**Note**

This server uses the new independent loading mechanism (ILM) CPU sockets, so no Pick-and-Place tools are required for CPU handling or installation. Always grasp the plastic frame on the CPU when handling.

- Scenario 1—You are reusing the existing heatsinks:
  - Heat sink cleaning kit (UCSX-HSCK=)
  - Thermal grease kit for C240 M4 (UCS-CPU-GREASE3=)
- Scenario 2—You are replacing the existing heatsinks:
  - Heat sink (UCSC-HS-C240M4=)
  - Heat sink cleaning kit (UCSX-HSCK=)

A CPU heatsink cleaning kit is good for up to four CPU and heatsink cleanings. The cleaning kit contains two bottles of solution, one to clean the CPU and heatsink of old thermal interface material and the other to prepare the surface of the heatsink.

New heatsink spares come with a pre-applied pad of thermal grease. It is important to clean the old thermal grease off of the CPU prior to installing the heatsinks. Therefore, when you are ordering new heatsinks, you must order the heatsink cleaning kit.

## Replacing a SATA Interposer Board

The server uses a SATA interposer board and cable to connect the embedded RAID (PCH SATA) controller on the motherboard to the drive backplane. See [Figure 3-18](#) for the socket location.



### Note

The SATA interposer board and embedded RAID can be used only with the SFF, 8-drive backplane version of the server. It does not operate with an expander. You cannot use the embedded RAID controller and a hardware RAID controller card at the same time.

See [Embedded SATA RAID Controller, page C-10](#) for more information about using the embedded RAID controller and options.

- Step 1** Power off the server as described in the [Shutting Down and Powering Off the Server, page 3-9](#).
- Step 2** Slide the server out the front of the rack far enough so that you can remove the top cover. You might have to detach cables from the rear panel to provide clearance.



### Caution

If you cannot safely view and access the component, remove the server from the rack.

- Step 3** Remove the top cover as described in [Removing and Replacing the Server Top Cover, page 3-10](#).
- Step 4** Remove the plastic air baffle that sits over the CPUs to gain access to the interposer cables.
- Step 5** Remove PCIe riser 1 from the server to provide clearance. See [Replacing a PCIe Riser, page 3-47](#).
- Step 6** Remove any existing PCH SATA interposer board:
  - a. Disconnect both cable connectors from the interposer board.
  - b. Lift straight up on the board to remove it from its motherboard socket.
- Step 7** Install a new interposer board and cables:

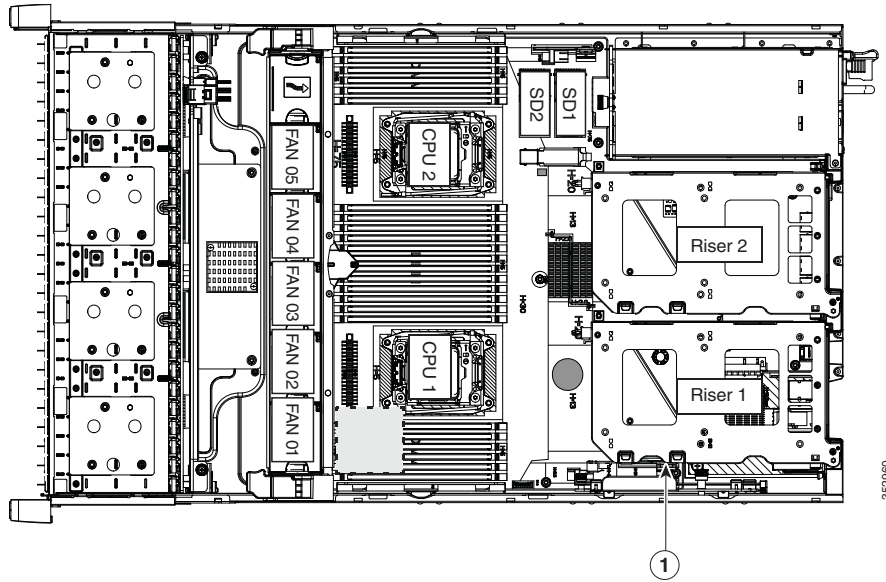


### Note

The required Y-cable and SATA interposer board are bundled as UCSC-IP-PCH-C240M4=.

- a. Align the board with the socket, and then gently press down on both top corners to seat it evenly.
  - b. Connect the single mini-SAS HD cable connector to the single connector on the backplane.
  - c. Route the cables through the plastic clips on the chassis wall.
  - d. Connect PORT A and PORT B cable connectors to their corresponding connectors on the new interposer board.
- Step 8** Replace PCIe riser 1 to the server.
  - Step 9** Replace the air baffle.
  - Step 10** Replace the top cover.
  - Step 11** Replace the server in the rack, replace cables, and then power on the server by pressing the **Power** button.

Figure 3-18 SATA Interposer Board Socket Location



3529160

1	SATA interposer board socket on motherboard	
---	---	--

## Replacing a Cisco Modular RAID Controller Card

The server has an internal, dedicated PCIe slot on the motherboard for a Cisco modular RAID controller card (see [Figure 3-19](#)).

See also:

- [Replacing a Modular RAID Controller Transportable Memory Module \(TMM\)](#), page 3-38
- [Replacing the Supercap Power Module \(RAID Backup Battery\)](#), page 3-40



### Note

You cannot use a hardware RAID controller card and the embedded RAID controller at the same time. See [RAID Controller Considerations](#), page C-1 for details about RAID support.

## RAID Card Firmware Compatibility

If the PCIe card that you are installing is a RAID controller card, firmware on the RAID controller must be verified for compatibility with the current Cisco IMC and BIOS versions that are installed on the server. If not compatible, upgrade or downgrade the RAID controller firmware accordingly using the Host Upgrade Utility (HUU) for your firmware release to bring it to a compatible level.

See the HUU guide for your Cisco IMC release for instructions on downloading and using the utility to bring server components to compatible levels: [HUU Guides](#)

## Replacement Procedure

- 
- Step 1** Power off the server as described in [Shutting Down and Powering Off the Server](#), page 3-9.
- Step 2** Slide the server out the front of the rack far enough so that you can remove the top cover. You might have to detach cables from the rear panel to provide clearance.



### Caution

If you cannot safely view and access the component, remove the server from the rack.

---

- Step 3** Remove the top cover as described in [Removing and Replacing the Server Top Cover](#), page 3-10.
- Step 4** Remove an existing RAID controller card:
- Disconnect the data cable from the card. Depress the tab on the cable connector and pull.
  - Disconnect the supercap power module cable from the transportable memory module (TMM), if present.
  - Lift straight up on the metal bracket that holds the card. The bracket lifts off of two pegs on the chassis wall.
  - Loosen the two thumbscrews that hold the card to the metal bracket and then lift the card from the bracket.
- Step 5** Install a new RAID controller card:

**Caution**

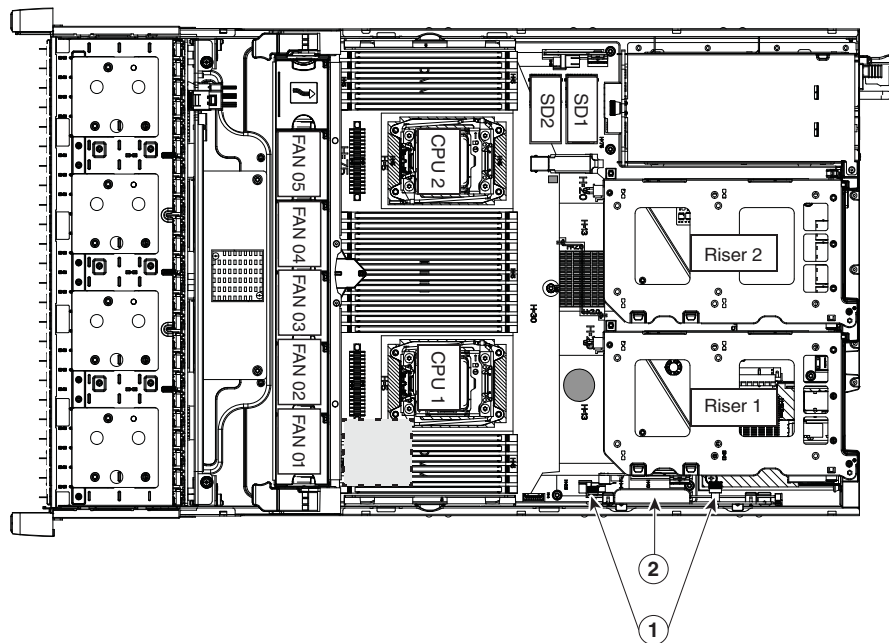
When installing the card to the bracket, be careful so that you do not scrape and damage electronic components on the underside of the card on features of the bracket. Also avoid scraping the card when you install the bracket to the pegs on the chassis wall.

- a. Set the new card on the metal bracket, aligned so that the thumbscrews on the card enter the threaded standoffs on the bracket. Tighten the thumbscrews to secure the card to the bracket.
- b. Align the two slots on the back of the bracket with the two pegs on the chassis wall.  
The two slots on the bracket must slide down over the pegs at the same time that you push the card into the motherboard socket.
- c. Gently press down on both top corners of the metal bracket to seat the card into the socket on the motherboard.
- d. Connect the supercap power module cable to its connector on the TMM, if present.
- e. Connect the single data cable to the card.

**Step 6** Replace the top cover.

**Step 7** Replace the server in the rack, replace cables, and then power on the server by pressing the **Power** button.

**Figure 3-19** Modular RAID Controller Card Location



1	Thumbscrews on card	2	Cisco modular RAID controller bracket
---	---------------------	---	---------------------------------------

## Replacing a Modular RAID Controller Transportable Memory Module (TMM)

The transportable memory module (TMM) that attaches to the modular RAID controller card can be installed or replaced after-factory.

See also:

- [Replacing a Cisco Modular RAID Controller Card, page 3-36](#)
- [Replacing the Supercap Power Module \(RAID Backup Battery\), page 3-40](#)

- 
- Step 1** Power off the server as described in [Shutting Down and Powering Off the Server, page 3-9](#).
- Step 2** Slide the server out the front of the rack far enough so that you can remove the top cover. You might have to detach cables from the rear panel to provide clearance.



**Caution** If you cannot safely view and access the component, remove the server from the rack.

- 
- Step 3** Remove the top cover as described in [Removing and Replacing the Server Top Cover, page 3-10](#).
- Step 4** Remove the modular RAID controller card from the server:
- Lift straight up on the metal bracket that holds the card. The bracket lifts off of two pegs on the chassis wall (see [Figure 3-19](#)).
  - Disconnect the supercap power module cable from the TMM that is attached to the card.
- Step 5** Remove the TMM from the modular RAID controller card (see [Figure 3-20](#)):
- The plastic bracket on the card has a securing plastic clip at each end of the TMM. Gently spread each clip away from the TMM.
  - Pull straight up on the TMM to lift it off the two plastic guide pegs and the socket on the card.
- Step 6** Install a TMM to the modular RAID controller card (see [Figure 3-20](#)):
- Align the TMM over the bracket on the card. Align the connector on the underside of the TMM with the socket on the card. Align the two guide holes on the TMM over the two guide pegs on the card.



**Caution** In the next step, keep the TMM level and parallel with the surface of the card to avoid damaging the connector or socket.

- 
- Gently lower the TMM so that the guide holes on the TMM go over the guide pegs on the card.
  - Press down on the TMM until the plastic clips on the bracket close over each end of the TMM.
  - Press down on the TMM to fully seat its connector with the socket on the card.
- Step 7** Install the modular RAID controller card back into the server:



**Note** If this is a first-time installation of your TMM, you must also install a supercap power module (SCPM). The SCPM cable attaches to a connector on the TMM. See [Replacing the Supercap Power Module \(RAID Backup Battery\), page 3-40](#).

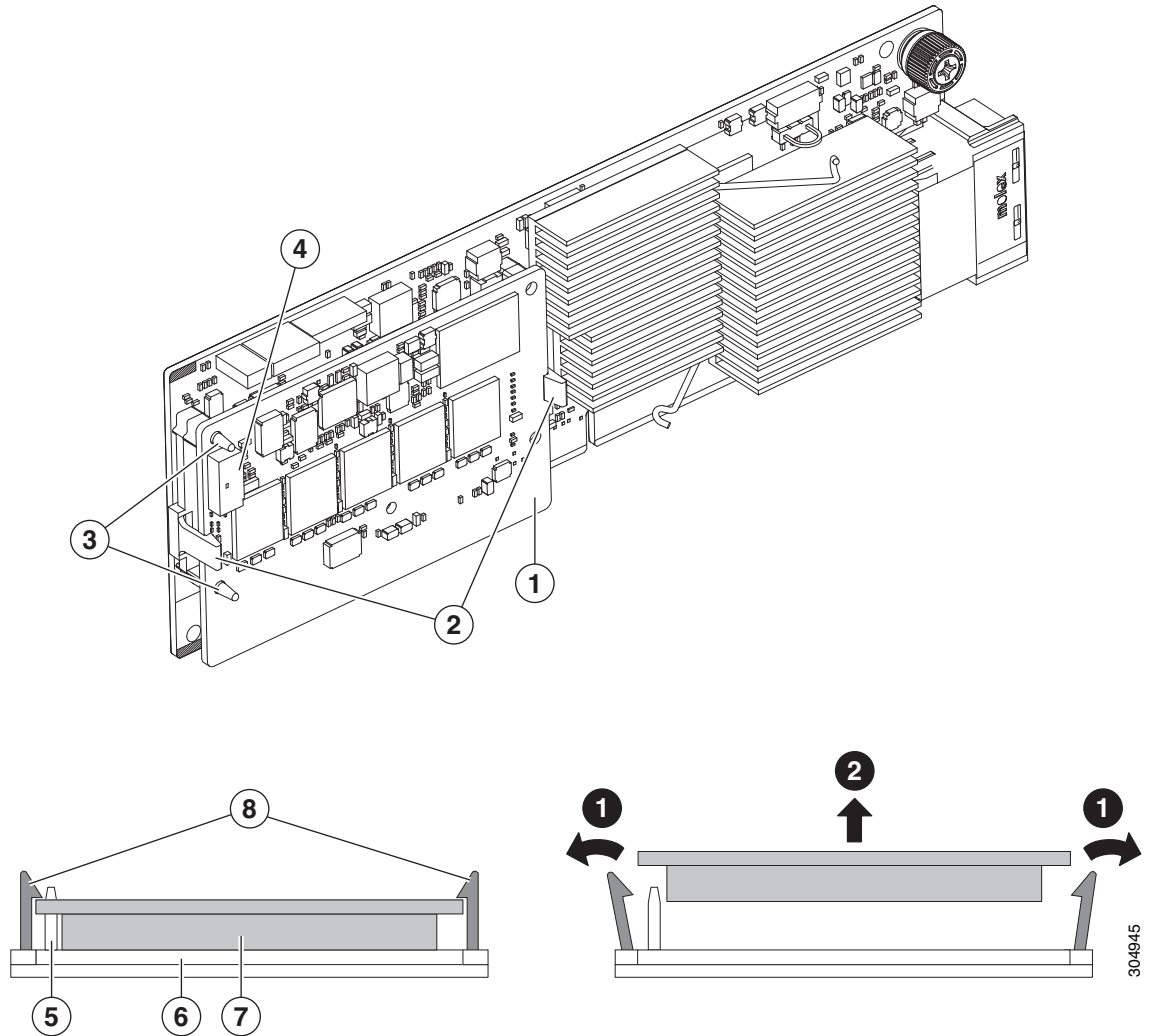
- 
- Connect the cable from the supercap power module (RAID battery) to the connector on the TMM (see [Figure 3-20](#)).
  - Align the two slots on the back of the RAID card bracket with the two pegs on the chassis wall.



The two slots on the bracket must slide down over the pegs at the same time that you push the card into the motherboard socket.

- c. Gently press down on both top corners of the metal bracket to seat the card into the socket on the motherboard.

Figure 3-20 TMM on Modular RAID Controller Card



1	TMM on modular RAID card	5	Side view, guide peg
2	Securing bracket clips	6	Side view, socket on modular RAID card
3	Guide pegs on bracket protruding through guide holes on TMM	7	Side view, connector on underside of TMM
4	SCPM cable connector on TMM	8	Side view, securing clips

## Replacing the Supercap Power Module (RAID Backup Battery)

This server supports installation of one supercap power module (SCPM). The unit mounts to a clip on the removable air baffle (see [Figure 3-21](#)). The SCPM requires that you have a transportable memory module (TMM) attached to your RAID controller card because the connector for the SCPM cable is on the TMM.

See also:

- [Replacing a Cisco Modular RAID Controller Card, page 3-36](#)
- [Replacing a Modular RAID Controller Transportable Memory Module \(TMM\), page 3-38](#)

The SCPM provides approximately three years of backup for the disk write-back cache DRAM in the case of a sudden power loss by offloading the cache to the NAND flash.



### Warning

**There is danger of explosion if the battery is replaced incorrectly. Replace the battery only with the same or equivalent type recommended by the manufacturer. Dispose of used batteries according to the manufacturer's instructions.**

Statement 1015

- 
- Step 1** Power off the server as described in [Shutting Down and Powering Off the Server, page 3-9](#).
- Step 2** Slide the server out the front of the rack far enough so that you can remove the top cover. You might have to detach cables from the rear panel to provide clearance.



### Caution

If you cannot safely view and access the component, remove the server from the rack.

- Step 3** Remove the top cover as described in [Removing and Replacing the Server Top Cover, page 3-10](#).
- Step 4** Remove an existing SCPM:
- Disconnect the existing SCPM cable from the transportable memory module (TMM) that is attached to the modular RAID controller card.
  - Pull back the plastic clip that closes over the SCPM slightly, and then slide the SCPM free of the clips on the air baffle mounting point (see [Figure 3-21](#)).
- Step 5** Install a new SCPM:
- Slide the new backup unit into the holder on the air baffle mounting point until the clip clicks over the top edge of the SCPM.
  - Connect the cable from the SCPM to the TMM that is attached to the modular RAID controller card.

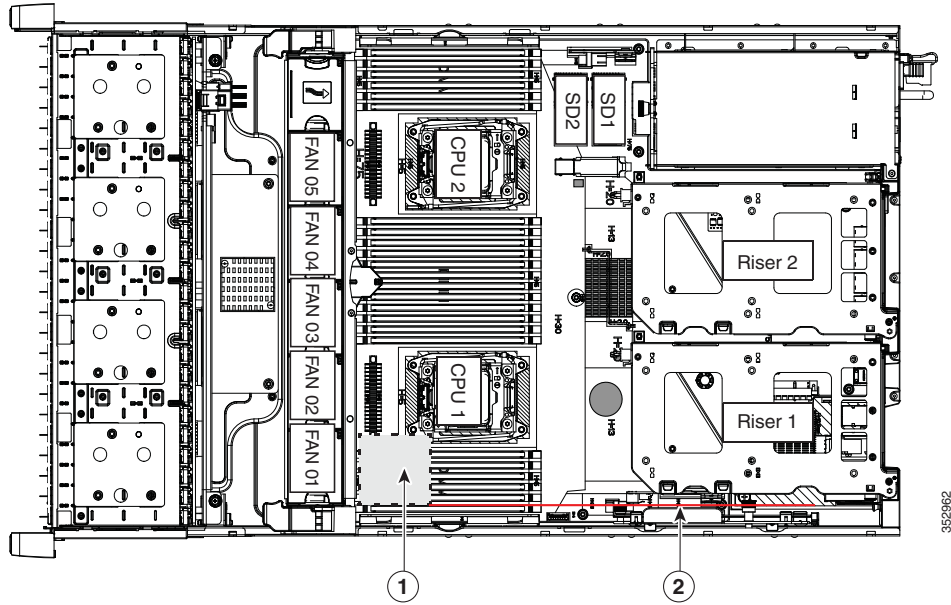


### Note

Put the cable through the opening on the rear of the air baffle (rather than over the air baffle) to keep the cable from interfering with the top cover of the server.

- Step 6** Replace the top cover.
- Step 7** Replace the server in the rack, replace cables, and then power on the server by pressing the **Power** button.

Figure 3-21 SCPM (RAID Backup Unit) Mounting Point and Cable Path



1	SCPM mounting point on removable air baffle (air baffle not shown)	2	SCPM cable routing path (the red line)
---	--	---	--

## Replacing a Software RAID 5 Key Module

The server has a two-pin header on the motherboard for a RAID 5 key module. This module upgrades the embedded SATA RAID controller options (see [Embedded SATA RAID Controller, page C-10](#)).

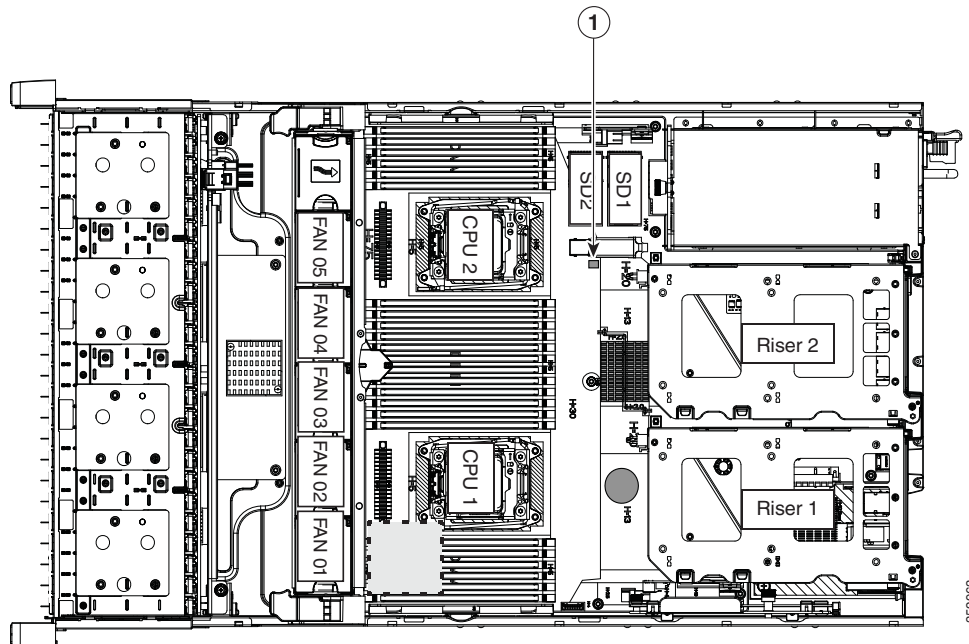
- Step 1** Power off the server as described in [Shutting Down and Powering Off the Server, page 3-9](#).
- Step 2** Slide the server out the front of the rack far enough so that you can remove the top cover. You might have to detach cables from the rear panel to provide clearance.



**Caution** If you cannot safely view and access the component, remove the server from the rack.

- Step 3** Remove the top cover as described in [Removing and Replacing the Server Top Cover, page 3-10](#).
- Step 4** Remove any existing software RAID key module:
- Locate the module on the motherboard (see [Figure 3-22](#)).
  - Hold the retention clips on the header open while you grasp the RAID key board and pull straight up (see [Figure 3-23](#)).

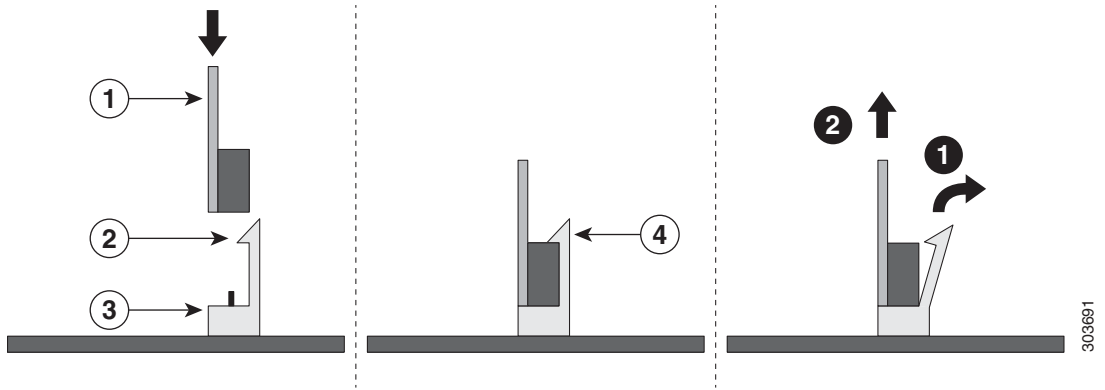
**Figure 3-22** RAID 5 Key Header Location on Motherboard



- |   |  |
|---|--|
| 1 | Software RAID 5 key header (adds RAID 5 support) |
|---|--|

- Step 5** Install a new software RAID key module:
- a. Align the module with the pins in the motherboard header.
  - b. Gently press down on the module until it is seated and the retention clip locks over the module (see [Figure 3-23](#)).

**Figure 3-23** Software RAID 5 Key Module Retention Clip



1	Printed circuit board on module	3	Motherboard header
2	Retention clip on motherboard header	4	Retention clip in installed position

303691

## Replacing the Motherboard RTC Battery



### Warning

There is danger of explosion if the battery is replaced incorrectly. Replace the battery only with the same or equivalent type recommended by the manufacturer. Dispose of used batteries according to the manufacturer's instructions. [Statement 1015]

The real-time clock (RTC) battery retains system settings when the server is disconnected from power. The battery type is CR2032. Cisco supports the industry-standard CR2032 battery, which can be purchased from most electronic stores.

- 
- Step 1 Power off the server as described in [Shutting Down and Powering Off the Server, page 3-9](#).
  - Step 2 Slide the server out the front of the rack far enough so that you can remove the top cover. You might have to detach cables from the rear panel to provide clearance.



### Caution

If you cannot safely view and access the component, remove the server from the rack.

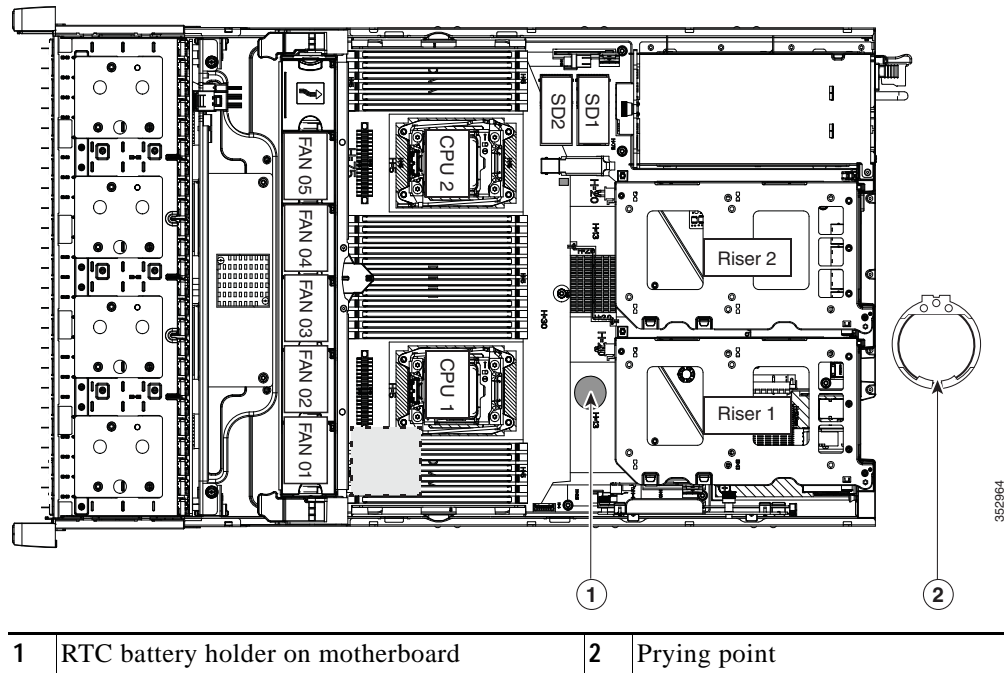
- Step 3 Remove the top cover as described in [Removing and Replacing the Server Top Cover, page 3-10](#).
- Step 4 Remove the battery from its holder on the motherboard (see [Figure 3-24](#)):
  - a. Use a small screwdriver or pointed object to press inward on the battery at the prying point (see [Figure 3-24](#)).
  - b. Lift up on the battery and remove it from the holder.
- Step 5 Install an RTC battery. Insert the battery into its holder and press down until it clicks in place.



**Note** The positive side of the battery marked "3V+" should face upward.

- Step 6 Replace the top cover.
- Step 7 Replace the server in the rack, replace cables, and power on the server by pressing the **Power** button.

Figure 3-24 RTC Battery Location and Prying Point



## Replacing an Internal SD Card

The server has two internal SD card bays on the motherboard.

Dual SD cards are supported. RAID 1 support can be configured through the Cisco IMC interface.

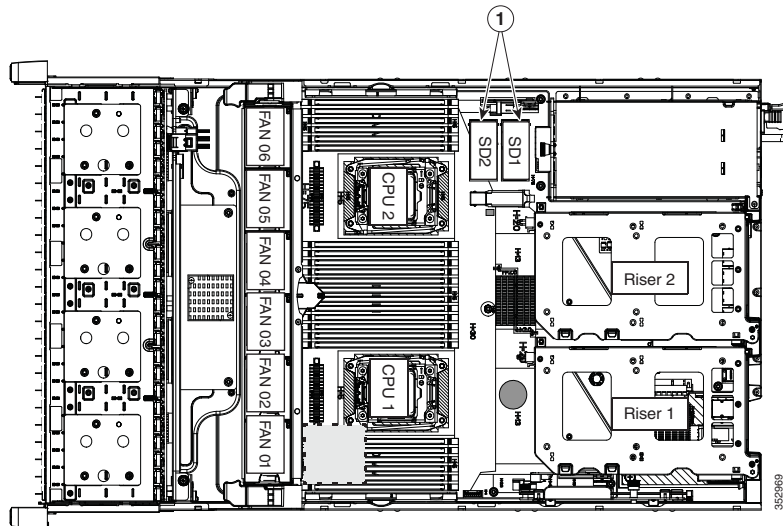
- Step 1** Power off the server as described in [Shutting Down and Powering Off the Server, page 3-9](#).
- Step 2** Slide the server out the front of the rack far enough so that you can remove the top cover. You might have to detach cables from the rear panel to provide clearance.



**Caution** If you cannot safely view and access the component, remove the server from the rack.

- Step 3** Remove the top cover as described in [Removing and Replacing the Server Top Cover, page 3-10](#).
- Step 4** Remove an SD card (see [Figure 3-25](#)).
  - a. Push on the top of the SD card, and then release it to allow it to spring out from the slot.
  - b. Remove the SD card from the slot.
- Step 5** Install an SD card:
  - a. Insert the SD card into the slot with the label side facing up.
  - b. Press on the top of the card until it clicks in the slot and stays in place.
- Step 6** Replace the top cover.
- Step 7** Replace the server in the rack, replace cables, and then power on the server by pressing the **Power** button.

Figure 3-25 SD Card Bay Location and Numbering on the Motherboard



1	SD card bays SD1 and SD2
---	--------------------------

## Enabling or Disabling the Internal USB Port



### Caution

We do not recommend that you Hot-swap the internal USB drive while the server is powered on.

The factory default is for all USB ports on the server to be enabled. However, the internal USB port can be enabled or disabled in the server BIOS. See [Figure 3-5](#) for the location of the internal USB 3.0 slot on the motherboard.

- Step 1 Enter the BIOS Setup Utility by pressing the **F2** key when prompted during bootup.
- Step 2 Navigate to the **Advanced** tab.
- Step 3 On the Advanced tab, select **USB Configuration**.
- Step 4 On the USB Configuration page, choose **USB Ports Configuration**.
- Step 5 Scroll to **USB Port: Internal**, press **Enter**, and then choose either **Enabled** or **Disabled** from the dialog box.
- Step 6 Press **F10** to save and exit the utility.



## Replacing a PCIe Riser

The server contains two toolless PCIe risers for horizontal installation of PCIe cards. See [Replacing a PCIe Card, page 3-49](#) for the specifications of the PCIe slots on the risers.

- Step 1** Power off the server as described in [Shutting Down and Powering Off the Server, page 3-9](#).
- Step 2** Slide the server out the front of the rack far enough so that you can remove the top cover. You might have to detach cables from the rear panel to provide clearance.



**Caution** If you cannot safely view and access the component, remove the server from the rack.

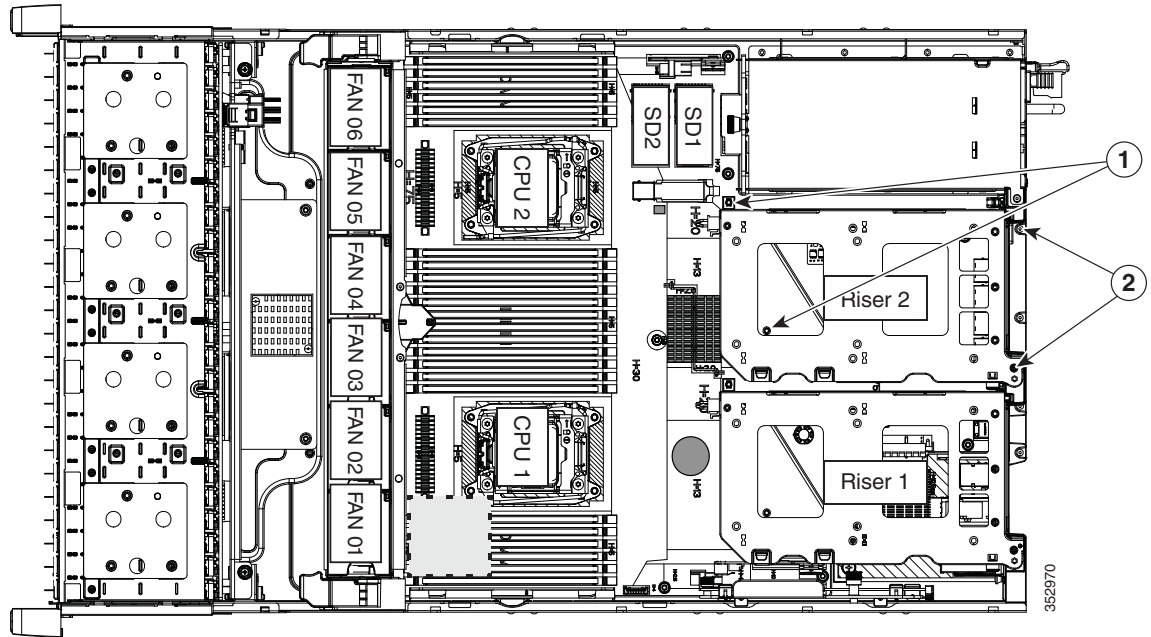
- Step 3** Remove the top cover as described in [Removing and Replacing the Server Top Cover, page 3-10](#).
- Step 4** Remove the PCIe riser that you are replacing (see [Figure 3-26](#)):
- Grasp the top of the riser and lift straight up on both ends to disengage its circuit board from the socket on the motherboard. Set the riser on an antistatic mat.
  - If the riser has a card installed, remove the card from the riser. See [Replacing a PCIe Card, page 3-49](#).
- Step 5** Install a new PCIe riser:
- If you removed a card from the old PCIe riser, install the card to the new riser (see [Replacing a PCIe Card, page 3-49](#)).
  - Position the PCIe riser over its socket on the motherboard and over its alignment slots in the chassis (see [Figure 3-26](#)). There are also two alignment pegs on the motherboard for each riser.



**Note** The PCIe risers are not interchangeable. If you plug a PCIe riser into the wrong socket, the server will not boot. Riser 1 must plug into the motherboard socket labeled “RISER1.” Riser 2 must plug into the motherboard socket labeled “RISER2.”

- Carefully push down on both ends of the PCIe riser to fully engage its circuit board connector with the socket on the motherboard.
- Step 6** Replace the top cover.
- Step 7** Replace the server in the rack, replace cables, and then power on the server by pressing the **Power** button.

Figure 3-26 PCIe Riser Alignment Features



1	Alignment peg locations on motherboard (two for each riser)	2	Alignment channel locations on chassis (two for each riser)
---	--	---	--

## Replacing a PCIe Card



### Caution

Cisco supports all PCIe cards qualified and sold by Cisco. PCIe cards not qualified or sold by Cisco are the responsibility of the customer. Although Cisco will always stand behind and support the C-Series rack-mount servers, customers using standard, off-the-shelf, third-party cards must go to the third-party card vendor for support if any issue with that particular third-party card occurs.

This section includes the following topics:

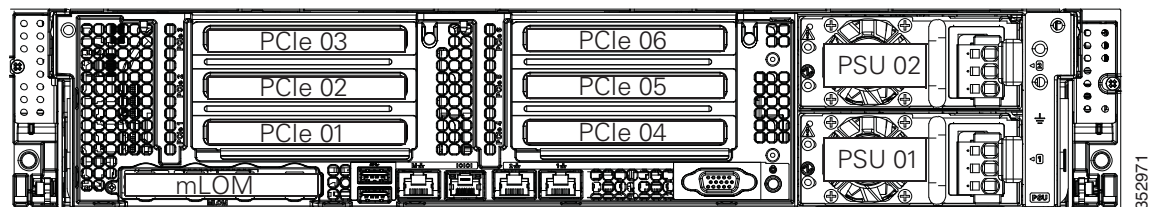
- [PCIe Slots, page 3-49](#)
- [Replacing a PCIe Card, page 3-51](#)
- [Special Considerations for Cisco UCS Virtual Interface Cards, page 3-53](#)
- [Special Considerations for Cisco UCS Fusion ioMemory3 Storage Accelerator Cards, page 3-54](#)
- [Installing Multiple PCIe Cards and Resolving Limited Resources, page 3-55](#)

## PCIe Slots

The server contains two toolless PCIe risers for horizontal installation of PCIe cards (see [Figure 3-27](#)).

- Riser 1 can be ordered as one of three different versions.
  - Version 1: Two slots (PCIE 1 and 2) and a blank to accommodate a GPU card in slot 2. See [Table 3-7](#).
  - Version 2: Three slots (PCIE 1, 2, and 3). See [Table 3-8](#).
  - Version 3: Two slots (PCIE 1 and 2) and two SATA boot-drive sockets. See [Table 3-9](#).
- Riser 2 contains slots PCIE 4, 5, and 6. See [Table 3-10](#).

**Figure 3-27** Rear Panel, Showing PCIe Slots



352971

**Table 3-7 Riser 1A (UCSC-PCI-1A-240M4) PCIe Expansion Slots**

Slot Number	Electrical Lane Width	Connector Length	Card Length <sup>1</sup>	Card Height <sup>2</sup>	NCSI <sup>3</sup> Support
1	Gen-3 x8	x24 connector	3/4 length	Full height	Yes <sup>4</sup>
2	Gen-3 x16	x24 connector	Full length	Full height	Yes
Blank	NA	NA	NA	NA	NA

1. This is the supported length because of internal clearance.
2. This is the size of the rear-panel opening.
3. NCSI = Network Communications Services Interface protocol
4. NCSI is supported in only one slot at a time in this riser version. If a GPU card is present in slot 2, NCSI support automatically moves to slot 1.

**Table 3-8 Riser 1B<sup>1</sup> (UCSC-PCI-1B-240M4) PCIe Expansion Slots**

Slot Number	Electrical Lane Width	Connector Length	Card Length	Card Height	NCSI Support
1	Gen-3 x8	x16 connector	3/4 length	Full height	No
2	Gen-3 x8	x24 connector	Full length	Full height	Yes
3	Gen-3 x8	x16 connector	Full length	Full height	No

1. GPU cards are not supported in this riser 1B version. There is no GPU power connector in this version. Use riser version 1A or 1C for GPU cards.

**Table 3-9 Riser 1C (UCSC-PCI-1C-240M4) PCIe Expansion Slots**

Slot Number	Electrical Lane Width	Connector Length	Card Length	Card Height	NCSI Support
1	Gen-3 x8	x16 connector	3/4 length	Full height	Yes
2	Gen-3 x16	x24 connector	Full length	Full height	Yes
SATA boot-drive sockets (two)	NA	NA	NA	NA	NA

**Table 3-10 Riser 2 (UCSC-PCI-2-240M4) PCIe Expansion Slots**

Slot Number	Electrical Lane Width	Connector Length	Card Length	Card Height	NCSI Support
4	Gen-3 x8	x24 connector	3/4 length	Full height	Yes
5	Gen-3 x16	x24 connector	Full length	Full height	Yes <sup>1</sup>
6	Gen-3 x8	x16 connector	Full length	Full height	No

1. NCSI is supported in only one slot at a time in this riser version. If a GPU card is present in slot 5, NCSI support automatically moves to slot 4.

## Replacing a PCIe Card

The Technical Specifications Sheets for all versions of this server, which include supported component part numbers, are at [Cisco UCS Servers Technical Specifications Sheets](#).



**Note** If you are installing a Cisco UCS Virtual Interface Card, there are prerequisite considerations. See [Special Considerations for Cisco UCS Virtual Interface Cards](#), page 3-53.



**Note** If you are installing a Fusion ioMemory3 card, there are prerequisite considerations. See [Special Considerations for Cisco UCS Fusion ioMemory3 Storage Accelerator Cards](#), page 3-54.



**Note** If you are installing a RAID controller card, see [RAID Controller Considerations](#), page C-1 for more information about supported cards and cabling.

- Step 1** Shut down and power off the server as described in [Shutting Down and Powering Off the Server](#), page 3-9.
- Step 2** Slide the server out the front of the rack far enough so that you can remove the top cover. You might have to detach cables from the rear panel to provide clearance.



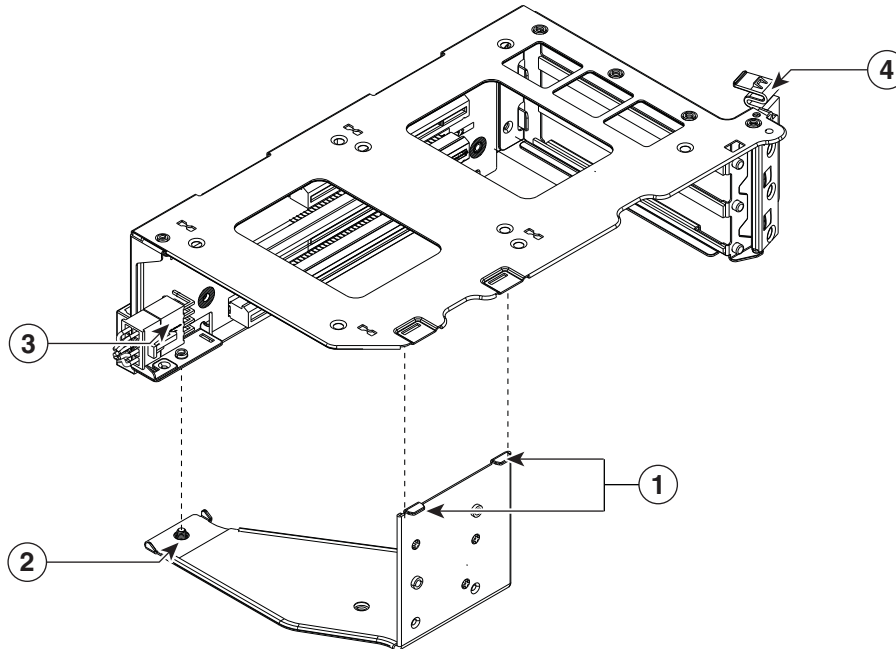
**Caution** If you cannot safely view and access the component, remove the server from the rack.

- Step 3** Remove the top cover as described in [Removing and Replacing the Server Top Cover](#), page 3-10.
- Step 4** Remove a PCIe card (or a blanking panel) from the PCIe riser:
- Lift straight up on both ends of the riser to disengage its circuit board from the socket on the motherboard. Set the riser on an antistatic mat.
  - On the bottom of the riser, loosen the single thumbscrew that holds the securing plate (see [Figure 3-28](#)).
  - Swing open the securing plate and remove it from the riser to provide access.
  - Swing open the card-tab retainer that secures the back-panel tab of the card (see [Figure 3-28](#)).
  - Pull evenly on both ends of the PCIe card to disengage it from the socket on the PCIe riser (or remove a blanking panel) and then set the card aside.
- Step 5** Install a PCIe card:
- Align the new PCIe card with the empty socket on the PCIe riser.
  - Push down evenly on both ends of the card until it is fully seated in the socket.  
Ensure that the card rear panel tab sits flat against the PCIe riser rear panel opening.
  - Close the card-tab retainer (see [Figure 3-28](#)).
  - Return the securing plate to the riser. Insert the two hinge-tabs into the two slots on the riser, and then swing the securing plate closed.
  - Tighten the single thumbscrew on the bottom of the securing plate.
  - Position the PCIe riser over its socket on the motherboard and over its alignment features in the chassis (see [Figure 3-26](#)).

- g. Carefully push down on both ends of the PCIe riser to fully engage its circuit board connector with the socket on the motherboard.

- Step 6** Replace the top cover.
- Step 7** Replace the server in the rack, replace cables, and then power on the server by pressing the **Power** button.
- Step 8** If you replaced a RAID controller card, continue with [Restoring RAID Configuration After Replacing a RAID Controller](#), page C-23.

**Figure 3-28** PCIe Riser Securing Features (Three-Slot Riser Shown)



353239

1	Securing plate hinge-tabs	3	GPU card power connector
2	Securing plate thumbscrew (knob not visible on underside of plate)	4	Card-tab retainer in open position

## Special Considerations for Cisco UCS Virtual Interface Cards

Table 3-11 describes the requirements for the supported Cisco UCS virtual interface cards (VICs). The server can support up to two PCIe-style VICs plus one mLOM-style VIC.



### Note

If you use the Cisco Card NIC mode, you must also make a VIC Slot setting that matches where your VIC is installed. The options are Riser1, Riser2, or Flex-LOM. See [NIC Modes and NIC Redundancy Settings, page 2-14](#).

If you want to use the Cisco UCS VIC card for Cisco UCS Manager integration, also see the [Cisco UCS C-Series Server Integration with UCS Manager Guides](#) for details about supported configurations, cabling, and other requirements.

**Table 3-11** Cisco UCS C240 M4 Requirements for Virtual Interface Cards

Virtual Interface Card (VIC)	Number of this VIC Supported in Server	Slots That Support VICs	Primary Slot for Cisco UCS Manager Integration	Primary Slot for Cisco Card NIC Mode	Minimum Cisco IMC Firmware	Minimum VIC Firmware
Cisco UCS VIC1225 UCSC-PCIE-CSC-02	4 PCIe	PCIE 2 PCIE 1	Riser 1: PCIE 2 See footnote. <sup>2</sup>	Riser 1: PCIE 2 Riser 2: PCIE 5	1.4(6)	2.1(0)
Cisco UCS VIC1225T UCSC-PCIE-C10T-02	4 PCIe	PCIE 5 PCIE 4 See footnote <sup>1</sup>	Riser 1: PCIE 2 See footnote. <sup>3</sup>	Riser 1: PCIE 2 Riser 2: PCIE 5	1.5(1)	2.1(1)
Cisco UCS VIC1385 <sup>4</sup> UCSC-PCIE-C40Q-03	2 PCIe		Not supported at this time	Riser 1: PCIE 2 Riser 2: PCIE 5	2.0(4)	4.0(4b)
Cisco UCS VIC 1227 UCSC-MLOM-CSC-02	1 mLOM	mLOM	mLOM	mLOM	2.0(3)	4.0(0)
Cisco UCS VIC 1227T UCSC-MLOM-C10T-02	1 mLOM	mLOM	mLOM	mLOM	2.0(4)	4.0(4b)
Cisco UCS VIC 1387 UCSC-MLOM-C40Q-03	1 mLOM	mLOM	mLOM	mLOM	2.0(9)	4.1(1d)

- For riser PID UCSC-PCI-1B-240M4: slot 2 is the only slot that supports a VIC in riser version 1B. In this riser version, slot 2 is an 8x lane, so if you are using Cisco UCS VIC1385, give it priority on slot 5 instead for best performance.
- Although all slots support standby power, we recommend that you use an mLOM card for Cisco UCS Manager integration. Slot 2 is the primary PCIe slot for integration, but if an mLOM-style card is present it takes priority over the PCIe slot for integration.
- Although all slots support standby power, we recommend that you use an mLOM card for Cisco UCS Manager integration. Slot 2 is the primary PCIe slot for integration, but if an mLOM-style card is present it takes priority over the PCIe slot for integration.
- For Cisco UCS VIC1385, always use the primary slots 2 and 5 for optimal performance. You can use the other supported slots, but you might see degraded performance. If multiple VIC cards are present, give the Cisco UCS VIC1385 priority on the primary slots 2 and 5 for best performance.



### Note

The Cisco UCS VIC 1227 (UCSC-MLOM-CSC-02) is not compatible to use in *Cisco Card* NIC mode with a certain Cisco SFP+ module. Do not use a Cisco SFP+ module part number 37-0961-01 that has a serial number in the range MOC1238.xxxx to MOC1309.xxxx. If you use the Cisco UCS VIC 1227 in Cisco Card NIC mode, use a different part number Cisco SFP+ module, or you can use this part number 37-0961-01 if the serial number is *not* included in the range above. See the data sheet for this adapter for other supported SFP+ modules: [Cisco UCS VIC 1227 Data Sheet](#)

## Special Considerations for Cisco UCS Fusion ioMemory3 Storage Accelerator Cards

Table 3-12 describes the requirements for the supported Cisco UCS Fusion ioMemory3 cards.

**Table 3-12** Cisco UCS C240 M4 Requirements for Fusion ioMemory3 Cards

Card	Maximum Number of Cards Supported	Slots That Support These Cards	Minimum Cisco IMC Firmware	Card Height (rear-panel tab)
Cisco UCS 1000 GB Fusion ioMemory3 PX Performance Line UCSC-F-FIO-1000PS=	6 <sup>1</sup>	All	2.0(2)	Half height
Cisco UCS 1300 GB Fusion ioMemory3 PX Performance Line UCSC-F-FIO-1300PS=	6	All	2.0(2)	Half height <sup>2</sup>
Cisco UCS 2600 GB Fusion ioMemory3 PX Performance Line UCSC-F-FIO-2600PS=	6	All	2.0(2)	Half height
Cisco UCS 5200 GB Fusion ioMemory3 PX Performance Line UCSC-F-FIO-5200PS=	6	All	2.0(2)	Full height
Cisco UCS 3200 GB Fusion ioMemory3 SX Scale Line UCSC-F-FIO-3200SS=	6	All	2.0(2)	Half height
Cisco UCS 6400 GB Fusion ioMemory3 SX Scale Line UCSC-F-FIO-6400SS=	6	All	2.0(2)	Full height

1. PCIe riser 1 versions UCSC-PCI-1A-240M4 and UCSC-PCI-1C-240M4 have only two slots and therefore, when using those versions only five cards are supported in the server.
2. A rear-panel tab adapter is required to fit the half-height cards in full-height slots.



## Installing Multiple PCIe Cards and Resolving Limited Resources

When a large number of PCIe add-on cards are installed in the server, the system might run out of the following resources required for PCIe devices:

- Option ROM memory space
- 16-bit I/O space

The topics in this section provide guidelines for resolving the issues related to these limited resources:

- [Resolving Insufficient Memory Space to Execute Option ROMs, page 3-55](#)
- [Resolving Insufficient 16-Bit I/O Space, page 3-56](#)

### Resolving Insufficient Memory Space to Execute Option ROMs

The system has very limited memory to execute PCIe legacy option ROMs, so when a large number of PCIe add-on cards are installed in the server, the system BIOS might not be able to execute all of the option ROMs. The system BIOS loads and executes the option ROMs in the order that the PCIe cards are enumerated (slot 1, slot 2, slot 3, and so on).

If the system BIOS does not have sufficient memory space to load any PCIe option ROM, it skips loading that option ROM, reports a system event log (SEL) event to the Cisco IMC controller and reports the following error in the Error Manager page of the BIOS Setup utility:

ERROR CODE	SEVERITY	INSTANCE	DESCRIPTION
146	Major	N/A	PCI out of resources error. Major severity requires user intervention but does not prevent system boot.

To resolve this issue, disable the Option ROMs that are not needed for system booting. The BIOS Setup Utility provides the setup options to enable or disable the Option ROMs at the PCIe slot level for the PCIe expansion slots and at the port level for the onboard NICs. These options can be found in the BIOS Setup Utility **Advanced > PCI Configuration** page.

- **Guidelines for RAID controller booting**

If the server is configured to boot primarily from RAID storage, make sure that the option ROMs for the slots where your RAID controllers are installed are enabled in the BIOS, depending on your RAID controller configuration.

If the RAID controller does not appear in the system boot order even with the option ROMs for those slots enabled, the RAID controller option ROM might not have sufficient memory space to execute. In that case, disable other option ROMs that are not needed for the system configuration to free up some memory space for the RAID controller option ROM.

- **Guidelines for onboard NIC PXE booting**

If the system is configured to primarily perform PXE boot from onboard NICs, make sure that the option ROMs for the onboard NICs to be booted from are enabled in the BIOS Setup Utility. Disable other option ROMs that are not needed to create sufficient memory space for the onboard NICs.

## Resolving Insufficient 16-Bit I/O Space

The system has only 64 KB of legacy 16-bit I/O resources available. This 64 KB of I/O space is divided between the CPUs in the system because the PCIe controller is integrated into the CPUs. This server BIOS has the capability to dynamically detect the 16-bit I/O resource requirement for each CPU and then balance the 16-bit I/O resource allocation between the CPUs during the PCI bus enumeration phase of the BIOS POST.

When a large number of PCIe cards are installed in the system, the system BIOS might not have sufficient I/O space for some PCIe devices. If the system BIOS is not able to allocate the required I/O resources for any PCIe devices, the following symptoms have been observed:

- The system might get stuck in an infinite reset loop.
- The BIOS might appear to hang while initializing PCIe devices.
- The PCIe option ROMs might take excessive time to complete, which appears to lock up the system.
- PCIe boot devices might not be accessible from the BIOS.
- PCIe option ROMs might report initialization errors. These errors are seen before the BIOS passes control to the operating system.
- The keyboard might not work.

To work around this problem, rebalance the 16-bit I/O load using the following methods:

1. Physically remove any unused PCIe cards.
2. If the system has one or more Cisco virtual interface cards (VICs) installed, disable the PXE boot on the VICs that are not required for the system boot configuration by using the Network Adapters page in Cisco IMC Web UI to free up some 16-bit I/O resources. Each VIC uses a minimum 16 KB of 16-bit I/O resource, so disabling PXE boot on Cisco VICs would free up some 16-bit I/O resources that can be used for other PCIe cards that are installed in the system.

## Installing an NVIDIA GPU Card

See [Appendix D, “GPU Card Installation”](#).

## Replacing Internal SATA Boot Drives



Note

SATA boot drives are supported only in the SFF 24-drive and LFF 12-drive versions of the server.


The SFF 24-drive and LFF 12-drive versions of the server can support two solid-state SATA boot drives, but only when the PCIe riser 1C option is installed (UCSC-PCI-1C-240M4). This version of riser 1 has two SATA boot drive connectors in place of slot 3.



Note

The two internal SATA boot drives can be mirrored in a RAID 1 configuration when managed by the embedded RAID controller or in advanced host controller interface (AHCI) mode through your Windows or Linux operating system. The SATA mode must be enabled and selected in the BIOS, as described in [Enabling the Embedded RAID Controller in the BIOS, page C-13](#).

## Replacing an Internal SATA Boot Drive

- Step 1** Shut down and power off the server as described in [Shutting Down and Powering Off the Server, page 3-9](#).
- Step 2** Slide the server out the front of the rack far enough so that you can remove the top cover. You might have to detach cables from the rear panel to provide clearance.
-  **Caution** If you cannot safely view and access the component, remove the server from the rack.
- Step 3** Remove the top cover as described in [Removing and Replacing the Server Top Cover, page 3-10](#).
- Step 4** Remove PCIe riser 1C from the server:
- Lift straight up on both ends of the riser to disengage its circuit board from the socket on the motherboard. Set the riser on an antistatic mat.
  - On the bottom of the riser, loosen the single thumbscrew that holds the securing plate. See [Figure 3-28](#).
  - Swing open the securing plate and remove it from the riser to provide access.
- Step 5** Remove an existing SATA boot drive from PCIe riser 1C.
- Grasp the carrier-tabs on each side of the boot drive and pinch them together as you pull the boot drive from its cage and the socket on the PCIe riser.
- Step 6** Install a new SATA boot drive to PCIe riser 1C.
- Grasp the two carrier-tabs on either side of the boot drive and pinch them together as you insert the drive into the cage on the riser.
  - Push the drive straight into the cage to engage it with the socket on the riser. Stop when the carrier-tabs click and lock into place on the cage.

- Step 7** Return PCIe riser 1C to the server:
- Return the securing plate to the riser. Insert the two hinge-tabs into the two slots on the riser, and then swing the securing plate closed.
  - Tighten the single thumbscrew that holds the securing plate.
  - Position the PCIe riser over its socket on the motherboard and over its alignment features in the chassis (see [Figure 3-26](#)).
  - Carefully push down on both ends of the PCIe riser to fully engage its circuit board connector with the socket on the motherboard.
- Step 8** Replace the top cover.
- Step 9** Replace the server in the rack, replace cables, and then power on the server by pressing the **Power** button.
- Step 10** Set the boot order for these SATA boot drives in the server BIOS as desired:
- Boot the server and press **F2** when prompted to enter the BIOS Setup Utility.
  - Select the **Boot Options** tab.
  - Set the boot order for your SATA boot drives.
  - Press **F10** to exit the utility and save your changes.
-

## Installing a Trusted Platform Module (TPM)

The trusted platform module (TPM) is a small circuit board that connects to a motherboard socket and is secured by a one-way screw.

### TPM 2.0 Considerations

Trusted platform module (TPM) version 2.0 is supported on Intel v3- or Intel v4-based platforms.

If there is an existing TPM 1.2 installed in the server, you cannot upgrade to TPM 2.0.

If there is no existing TPM in the server, you can install TPM 2.0. You must first upgrade to Intel v4 code, regardless of whether the installed CPU is Intel v3 or v4. TPM 2.0 requires Intel v4 code or later.



#### Caution

If your Intel v3 or Intel v4 system is currently supported and protected by TPM version 2.0, a potential security exposure might occur if you downgrade the system software and BIOS to a version earlier than those shown in [Table 3-13](#).



#### Note

If the TPM 2.0 becomes unresponsive, reboot the server.

**Table 3-13** *TPM Matrix by Intel CPU Version*

Intel CPU	TPM Version Supported	Minimum Cisco IMC Version	Minimum UCS Manager (UCSM) Version
Intel v3	TPM 1.2	2.0(3)	2.2(3)
	TPM 2.0	2.0(10)	2.2(7) or 3.1(1)
Intel v4	TPM 1.2	2.0(10)	2.2(7) or 3.1(1)
	TPM 2.0	2.0(10)	2.2(7) or 3.1(1)

## Installing the TPM Hardware

This section contains the following procedures, which must be followed in this order when installing and enabling a TPM:

1. [Installing the TPM Hardware, page 3-60](#)
2. [Enabling TPM Support in the BIOS, page 3-62](#)
3. [Enabling the Intel TXT Feature in the BIOS, page 3-63](#)



### Note

For security purposes, the TPM is installed with a one-way screw. It cannot be removed with a standard screwdriver.

- Step 1** Prepare the server for component installation:
- Step 2** Power off the server as described in [Shutting Down and Powering Off the Server, page 3-9](#).
- Step 3** Slide the server out the front of the rack far enough so that you can remove the top cover. You might have to detach cables from the rear panel to provide clearance.

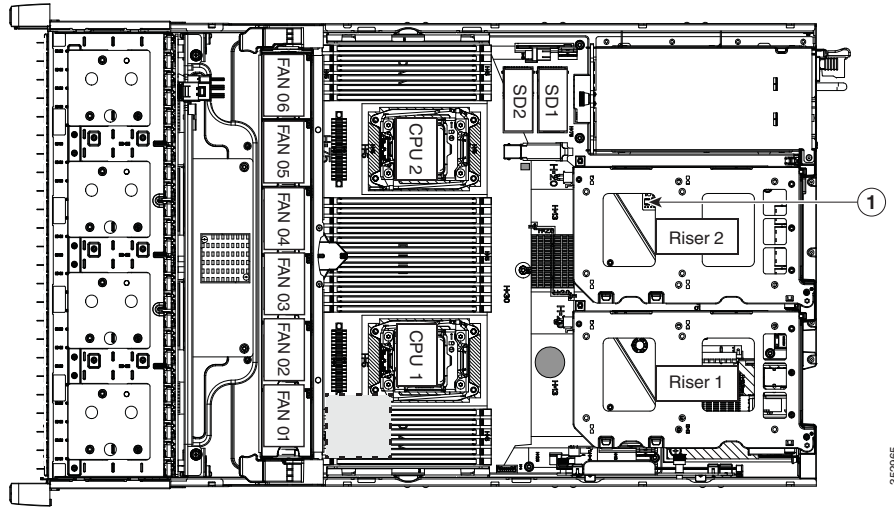


### Caution

If you cannot safely view and access the component, remove the server from the rack.

- Step 4** Remove the top cover as described in [Removing and Replacing the Server Top Cover, page 3-10](#).
- Step 5** Remove PCIe riser 2 to provide clearance. See [Replacing a PCIe Riser, page 3-47](#) for instructions.
- Step 6** Install a TPM:
  - a. Locate the TPM socket on the motherboard, as shown in [Figure 3-29](#).
  - b. Align the connector that is on the bottom of the TPM circuit board with the motherboard TPM socket. Align the screw hole and standoff on the TPM board with the screw hole that is adjacent to the TPM socket.
  - c. Push down evenly on the TPM to seat it in the motherboard socket.
  - d. Install the single one-way screw that secures the TPM to the motherboard.
- Step 7** Replace PCIe riser 2 to the server. See [Replacing a PCIe Riser, page 3-47](#) for instructions.
- Step 8** Replace the top cover.
- Step 9** Replace the server in the rack, replace cables, and then power on the server by pressing the **Power** button.
- Step 10** Continue with [Enabling TPM Support in the BIOS, page 3-62](#).

Figure 3-29 TPM Socket Location on Motherboard



3522965

- |   |   |
|---|---|
| 1 | TPM socket location on the motherboard (under PCIe riser 2) |
|---|---|

## Enabling TPM Support in the BIOS



---

**Note** After hardware installation, you must enable TPM support in the BIOS:

---

- Step 1** Enable TPM support:
- Watch during bootup for the F2 prompt, and then press **F2** to enter BIOS setup.
  - Log in to the BIOS Setup Utility with your BIOS Administrator password.
  - On the BIOS Setup Utility window, choose the **Advanced** tab.
  - Choose **Trusted Computing** to open the TPM Security Device Configuration window.
  - Change TPM SUPPORT to **Enabled**.
  - Press **F10** to save your settings and reboot the server.
- Step 2** Verify that TPM support is now enabled:
- Watch during bootup for the F2 prompt, and then press **F2** to enter BIOS setup.
  - Log into the BIOS Setup utility with your BIOS Administrator password.
  - Choose the **Advanced** tab.
  - Choose **Trusted Computing** to open the TPM Security Device Configuration window.
  - Verify that TPM SUPPORT and TPM State are Enabled.
- Step 3** Continue with [Enabling the Intel TXT Feature in the BIOS, page 3-63](#).
-



## Enabling the Intel TXT Feature in the BIOS

Intel Trusted Execution Technology (TXT) provides greater protection for information that is used and stored on the business server. A key aspect of that protection is the provision of an isolated execution environment and associated sections of memory where operations can be conducted on sensitive data, invisibly to the rest of the system. Intel TXT provides for a sealed portion of storage where sensitive data such as encryption keys can be kept, helping to shield them from being compromised during an attack by malicious code.

- 
- Step 1** Reboot the server and watch for the prompt to press F2.
- Step 2** When prompted, press **F2** to enter the BIOS Setup utility.
- Step 3** Verify that the prerequisite BIOS values are enabled:
- Choose the **Advanced** tab.
  - Choose **Intel TXT(LT-SX) Configuration** to open the Intel TXT(LT-SX) Hardware Support window.
  - Verify that the following items are listed as Enabled:
    - VT-d Support (default is Enabled)
    - VT Support (default is Enabled)
    - TPM Support
    - TPM State
  - If VT-d Support and VT Support are already enabled, skip to [Step 4](#).
  - If VT-d Support and VT Support are not enabled, continue with the next steps to enable them.
  - Press **Escape** to return to the BIOS Setup utility **Advanced** tab.
  - On the Advanced tab, choose **Processor Configuration** to open the Processor Configuration window.
  - Set Intel (R) VT and Intel (R) VT-d to **Enabled**.
- Step 4** Enable the Intel Trusted Execution Technology (TXT) feature:
- Return to the Intel TXT(LT-SX) Hardware Support window if you are not already there.
  - Set TXT Support to **Enabled**.
- Step 5** Press **F10** to save your changes and exit the BIOS Setup utility.
-

## Replacing Power Supplies

The server can have one or two power supplies. When two power supplies are installed they are redundant as 1+1 and hot-swappable.

- [Replacing an AC Power Supply, page 3-64](#)
- [Replacing a DC Power Supply, page 3-65](#)
- [Installation Grounding, page 3-68](#)
- See [Power Specifications, page A-2](#) for more information about the supported power supplies.
- See [Rear Panel LEDs and Buttons, page 3-5](#) for information about the power supply LEDs.
- See [Replacing a DC Power Supply, page 3-65](#) for information about wiring a DC power supply.

### Replacing an AC Power Supply



Note

If you have ordered a server with power supply redundancy (two power supplies), you do not have to power off the server to replace power supplies because they are redundant as 1+1 and hot-swappable.



Note

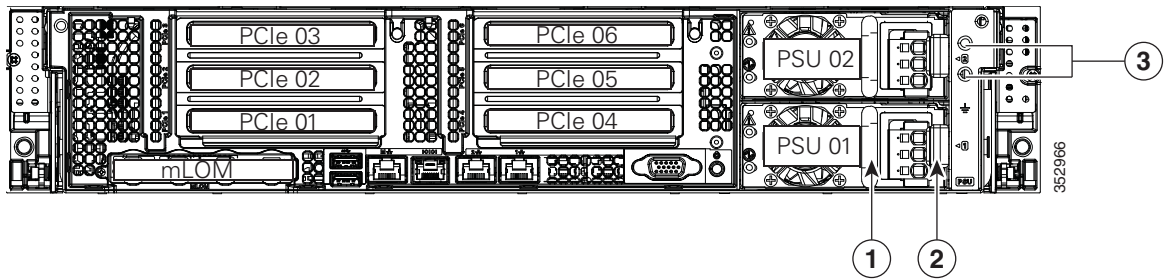
Do not mix power supply types in the server. Both power supplies must be the same wattage and Cisco product ID (PID).

- Step 1** Remove the power supply that you are replacing or a blank panel from an empty bay:
- Perform one of the following actions:
    - If your server has only one power supply, shut down and power off the server as described in [Shutting Down and Powering Off the Server, page 3-9](#).
    - If your server has two power supplies, you do not have to shut down the server.
  - Remove the power cord from the power supply that you are replacing.
 

For a DC power supply, release the electrical connector block from the power supply by pushing the orange plastic button on the top of the connector inward toward the power supply (see [Figure 3-32](#)). Pull the connector block from the power supply.
  - Grasp the power supply handle while pinching the green release lever towards the handle (see [Figure 3-30](#)).
  - Pull the power supply out of the bay.
- Step 2** Install a new power supply:
- Grasp the power supply handle and insert the new power supply into the empty bay.
  - Push the power supply into the bay until the release lever locks.
  - Connect the power cord to the new power supply.
 

For a DC power supply, push the electrical connector block into the power supply.
  - If you shut down the server, press the **Power** button to return the server to main power mode.

Figure 3-30 Power Supplies



1	Power supply handle	3	Screw holes for grounding lug
2	Power supply release lever		

## Replacing a DC Power Supply

- [Installing a Version 2 930W DC Power Supply, UCSC-PSU2V2-930DC, page 3-66](#)
- [Installing a Version 1 930W DC Power Supply, UCSC-PSU-930WDC, page 3-67](#)
- [Installation Grounding, page 3-68](#)



Warning

A readily accessible two-poled disconnect device must be incorporated in the fixed wiring. Statement 1022



Warning

This product requires short-circuit (overcurrent) protection, to be provided as part of the building installation. Install only in accordance with national and local wiring regulations. Statement 1045



Warning

When installing or replacing the unit, the ground connection must always be made first and disconnected last. Statement 1046



Warning

Installation of the equipment must comply with local and national electrical codes. Statement 1074



Warning

Hazardous voltage or energy may be present on DC power terminals. Always replace cover when terminals are not in service. Be sure uninsulated conductors are not accessible when cover is in place. Statement 1075

## Installing a Version 2 930W DC Power Supply, UCSC-PSU2V2-930DC

If you are using the Version 2 930W DC power supply, you connect power using a 3-wire cable with a keyed connector that plugs into a fixed power input socket on the power supply. See also [Installing a Version 1 930W DC Power Supply, UCSC-PSU-930WDC](#), page 3-67.



### Caution

Before beginning this wiring procedure, turn off the DC power source from your facility's circuit breaker to avoid electric shock hazard.

**Step 1** Turn off the DC power source from your facility's circuit breaker to avoid electric shock hazard.

**Step 2** Wire the supplied 3-wire connector cable to your facility's DC power source.



### Note

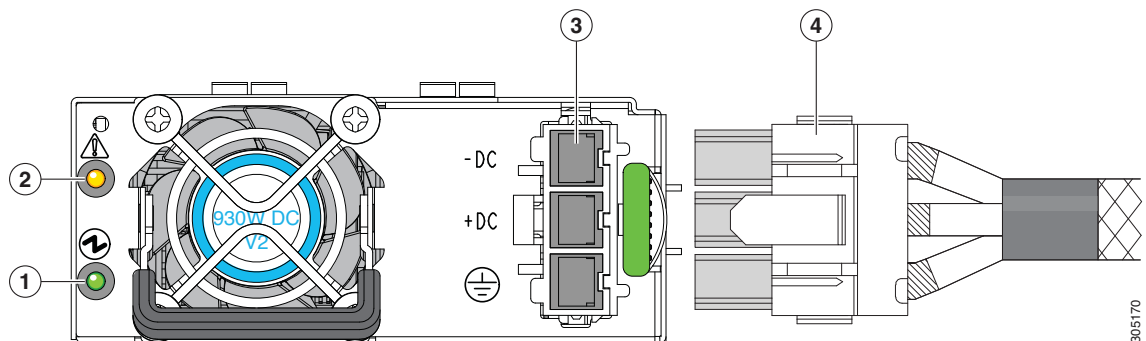
The supplied connector cable contains 8 AWG gauge wires. The recommended facility wire gauge is 8 AWG. The minimum facility wire gauge is 10 AWG.

**Step 3** Plug the supplied connector cable into the power input socket on the power supply. The connector is keyed to the socket so that the polarity is aligned correctly.

**Step 4** Return power from your facility's DC power source at the circuit breaker.

**Step 5** See [Installation Grounding](#), page 3-68 for additional information about chassis grounding.

**Figure 3-31** Version 2 930 W, -48 VDC Power Supply Connector Block



1	Power supply status LED	3	Fixed power input socket
2	Power supply fault LED	4	Supplied connector cable

## Installing a Version 1 930W DC Power Supply, UCSC-PSU-930WDC

If you are using a Version 1 930W DC power supply, stripped wires connect power to the removable connector block. See also [Installing a Version 2 930W DC Power Supply, UCSC-PSU2V2-930DC](#), page 3-66.



### Caution

Before beginning this wiring procedure, turn off the DC power source from your facility's circuit breaker to avoid electric shock hazard.

**Step 1** Turn off the DC power source from your facility's circuit breaker to avoid electric shock hazard.

**Step 2** Remove the DC power connector block from the power supply. (The spare PID for this connector is UCSC-CONN-930WDC=.)

To release the connector block from the power supply, push the orange plastic button on the top of the connector inward toward the power supply and pull the connector block out.

**Step 3** Strip 15mm (.59 inches) of insulation off the DC wires that you will use.



### Note

The recommended wire gauge is 8 AWG. The minimum wire gauge is 10 AWG.

**Step 4** Orient the connector as shown in [Figure 3-32](#), with the orange plastic button toward the top.

**Step 5** Use a small screwdriver to depress the spring-loaded wire retainer lever on the lower spring-cage wire connector. Insert your green (ground) wire into the aperture and then release the lever.

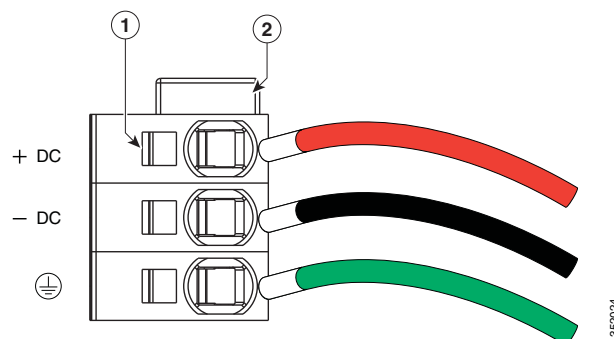
**Step 6** Use a small screwdriver to depress the wire retainer lever on the middle spring-cage wire connector. Insert your black (DC negative) wire into the aperture and then release the lever.

**Step 7** Use a small screwdriver to depress the wire retainer lever on the upper spring-cage wire connector. Insert your red (DC positive) wire into the aperture and then release the lever.

**Step 8** Insert the connector block back into the power supply. Make sure that your red (DC positive) wire aligns with the power supply label, "+ DC".

**Step 9** See [Installation Grounding](#), page 3-68 for additional information about chassis grounding.

**Figure 3-32** Version 1 930 W, -48 VDC Power Supply Connector Block



1	Wire retainer lever	2	Orange plastic button on top of the connector
---	---------------------	---	---

## Installation Grounding

The AC power supplies have internal grounding and so no additional grounding is required when the supported AC power cords are used.

When using a DC power supply, additional grounding of the server chassis to the earth ground of the rack is available. Screw holes for use with your grounding lugs and grounding wires are supplied on the chassis rear panel.

**Note**

---

The grounding points on the chassis are sized for M5 screws. The grounding points are spaced at 0.625 inches (15.86 mm). You must provide your own screws, grounding lug, and grounding wire. The grounding lug required is a Panduit LCD10-14AF-L or equivalent. The grounding cable that you provide must be 14 AWG (2 mm), minimum 60° C wire, or as permitted by the local code.

---

See [Figure 3-30](#) for the location of the grounding lug screw-holes on the chassis rear panel.

## Replacing an mLOM Card

The server can use an mLOM card to provide additional connectivity. The mLOM card socket remains powered when the server is in 12 V standby power mode and it supports the network communications services (NCSI) protocol.

- 
- Step 1** Power off the server as described in [Shutting Down and Powering Off the Server, page 3-9](#).
- Step 2** Slide the server out the front of the rack far enough so that you can remove the top cover. You might have to detach cables from the rear panel to provide clearance.



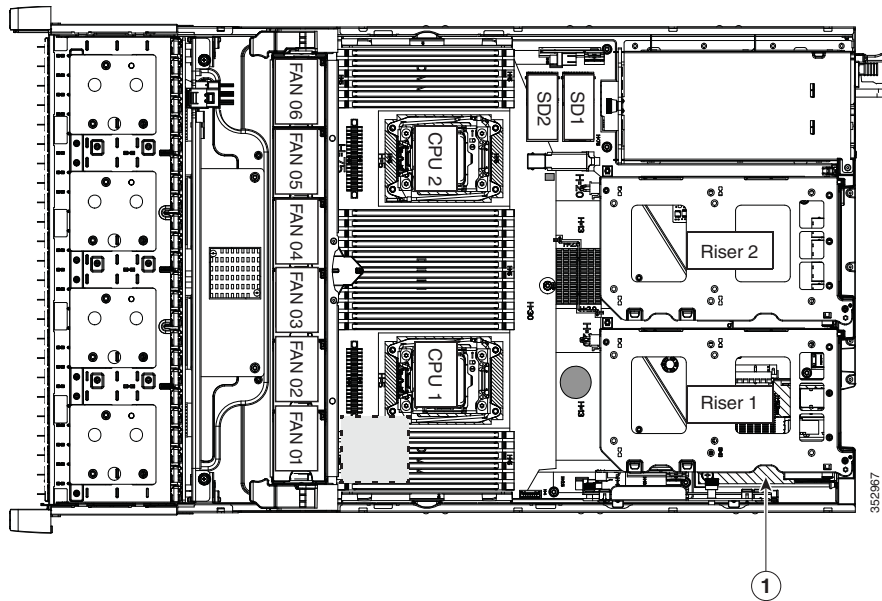
---

**Caution** If you cannot safely view and access the component, remove the server from the rack.

---

- Step 3** Remove the top cover as described in [Removing and Replacing the Server Top Cover, page 3-10](#).
- Step 4** Remove PCIe riser 1 to provide clearance. See [Replacing a PCIe Riser, page 3-47](#) for instructions.
- Step 5** Remove any existing mLOM card or a blanking panel (see [Figure 3-33](#)):
- Loosen the single thumbscrew that secures the mLOM card to the chassis floor.
  - Slide the mLOM card horizontally to disengage its connector from the motherboard socket.
- Step 6** Install a new mLOM card:
- Set the mLOM card on the chassis floor so that its connector is aligned with the motherboard socket and its thumbscrew is aligned with the standoff on the chassis floor.
  - Push the card's connector into the motherboard socket horizontally.
  - Tighten the thumbscrew to secure the card to the chassis floor.
- Step 7** Return PCIe riser 1 to the server. See [Replacing a PCIe Riser, page 3-47](#) for instructions.
- Step 8** Replace the top cover.
- Step 9** Replace the server in the rack, replace cables, and then power on the server by pressing the **Power** button.

Figure 3-33 mLOM Card Location



- |   |   |
|---|---|
| 1 | mLOM card socket location on motherboard (under PCIe riser 1) |
|---|---|



# Service DIP Switches

This section includes the following topics:

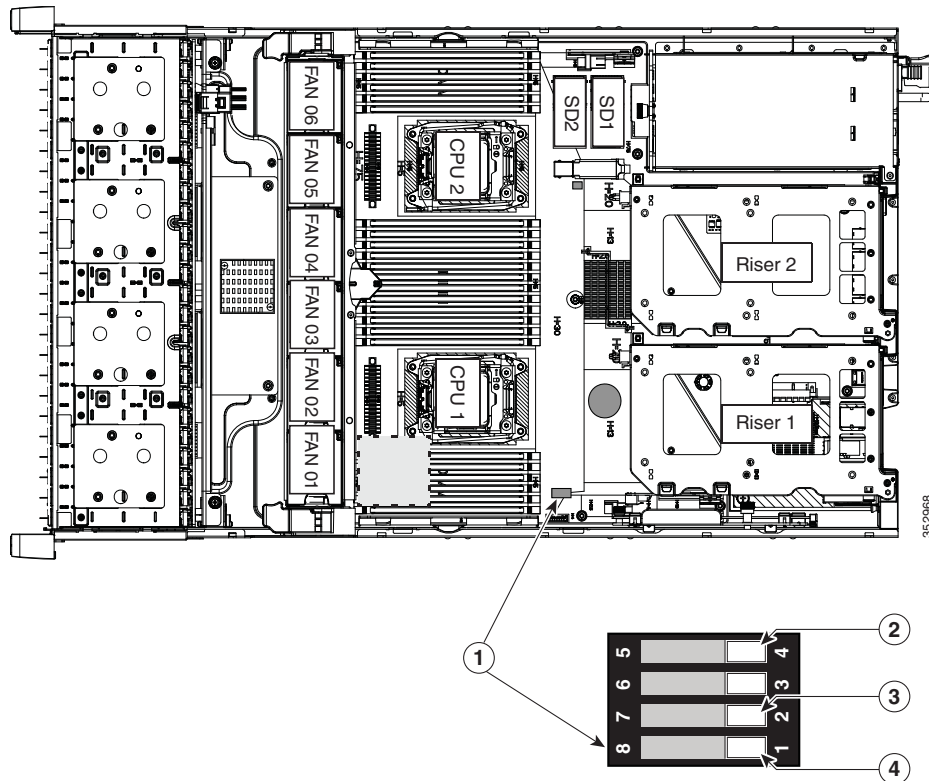
- [DIP Switch Location on the Motherboard, page 3-71](#)
- [Using the BIOS Recovery DIP Switch, page 3-72](#)
- [Using the Clear Password DIP Switch, page 3-74](#)
- [Using the Clear CMOS DIP Switch, page 3-75](#)

## DIP Switch Location on the Motherboard

See [Figure 3-34](#). The position of the block of DIP switches (SW8) is shown in red. In the magnified view, all switches are shown in the default position.

- BIOS recovery—switch 1.
- Clear password—switch 2.
- Not used—switch 3.
- Clear CMOS—switch 4.

**Figure 3-34** Service DIP Switches



1	DIP switch block SW8	3	Clear password switch 2
2	Clear CMOS switch 4	4	BIOS recovery switch 1

## Using the BIOS Recovery DIP Switch

Depending on which stage the BIOS becomes corrupted, you might see different behavior.

- If the BIOS BootBlock is corrupted, you might see the system get stuck on the following message:

```
Initializing and configuring memory/hardware
```

- If it is a non-BootBlock corruption, the following message is displayed:

```
****BIOS FLASH IMAGE CORRUPTED****
Flash a valid BIOS capsule file using Cisco IMC WebGUI or CLI interface.
IF Cisco IMC INTERFACE IS NOT AVAILABLE, FOLLOW THE STEPS MENTIONED BELOW.
1. Connect the USB stick with recovery.cap file in root folder.
2. Reset the host.
IF THESE STEPS DO NOT RECOVER THE BIOS
1. Power off the system.
2. Mount recovery jumper.
3. Connect the USB stick with recovery.cap file in root folder.
4. Power on the system.
Wait for a few seconds if already plugged in the USB stick.
REFER TO SYSTEM MANUAL FOR ANY ISSUES.
```



### Note

As indicated by the message shown above, there are two procedures for recovering the BIOS. Try procedure 1 first. If that procedure does not recover the BIOS, use procedure 2.

## Procedure 1: Reboot with recovery.cap File

- Step 1** Download the BIOS update package and extract it to a temporary location.
- Step 2** Copy the contents of the extracted recovery folder to the root directory of a USB thumb drive. The recovery folder contains the recovery.cap file that is required in this procedure.



**Note** The recovery.cap file must be in the root directory of the USB thumb drive. Do not rename this file. The USB thumb drive must be formatted with either FAT16 or FAT32 file systems.

- Step 3** Insert the USB thumb drive into a USB port on the server.
- Step 4** Reboot the server.
- Step 5** Return the server to main power mode by pressing the **Power** button on the front panel.

The server boots with the updated BIOS boot block. When the BIOS detects a valid recovery.cap file on the USB thumb drive, it displays this message:

```
Found a valid recovery file...Transferring to Cisco IMC
System would flash the BIOS image now...
System would restart with recovered image after a few seconds...
```





- Step 6** Wait for server to complete the BIOS update, and then remove the USB thumb drive from the server.



**Note** During the BIOS update, Cisco IMC shuts down the server and the screen goes blank for about 10 minutes. Do not unplug the power cords during this update. Cisco IMC powers on the server after the update is complete.

## Procedure 2: Use BIOS Recovery DIP switch and recovery.cap File

See [Figure 3-34](#) for the location of the SW8 block of DIP switches.

- 
- Step 1** Download the BIOS update package and extract it to a temporary location.
- Step 2** Copy the contents of the extracted recovery folder to the root directory of a USB thumb drive. The recovery folder contains the recovery.cap file that is required in this procedure.
-  **Note** The recovery.cap file must be in the root directory of the USB thumb drive. Do not rename this file. The USB thumb drive must be formatted with either FAT16 or FAT32 file systems.
- 
- Step 3** Power off the server as described in [Shutting Down and Powering Off the Server, page 3-9](#).
- Step 4** Disconnect all power cords from the power supplies.
- Step 5** Slide the server out the front of the rack far enough so that you can remove the top cover. You might have to detach cables from the rear panel to provide clearance.
-  **Caution** If you cannot safely view and access the component, remove the server from the rack.
- 
- Step 6** Remove the top cover as described in [Removing and Replacing the Server Top Cover, page 3-10](#).
- Step 7** Slide the BIOS recovery DIP switch from position 1 to the closed position (see [Figure 3-34](#)).
- Step 8** Reconnect AC power cords to the server. The server powers up to standby power mode.
- Step 9** Insert the USB thumb drive that you prepared in [Step 2](#) into a USB port on the server.
- Step 10** Return the server to main power mode by pressing the **Power** button on the front panel.
- The server boots with the updated BIOS boot block. When the BIOS detects a valid recovery.cap file on the USB thumb drive, it displays this message:
- ```
Found a valid recovery file...Transferring to Cisco IMC
System would flash the BIOS image now...
System would restart with recovered image after a few seconds...
```
- Step 11** Wait for server to complete the BIOS update, and then remove the USB thumb drive from the server.
-  **Note** During the BIOS update, Cisco IMC shuts down the server and the screen goes blank for about 10 minutes. Do not unplug the power cords during this update. Cisco IMC powers on the server after the update is complete.
- 
- Step 12** After the server has fully booted, power off the server again and disconnect all power cords.
- Step 13** Slide the BIOS recovery DIP switch from the closed position back to the default position 1.
-  **Note** If you do not move the jumper, after recovery completion you see the prompt, “Please remove the recovery jumper.”
- 
- Step 14** Replace the top cover, replace the server in the rack, replace power cords and any other cables, and then power on the server by pressing the **Power** button.
-

## Using the Clear Password DIP Switch

See [Figure 3-34](#) for the location of this DIP switch. You can use this switch to clear the administrator password.

- 
- Step 1** Power off the server as described in [Shutting Down and Powering Off the Server, page 3-9](#).
  - Step 2** Disconnect all power cords from the power supplies.
  - Step 3** Slide the server out the front of the rack far enough so that you can remove the top cover. You might have to detach cables from the rear panel to provide clearance.




---

**Caution** If you cannot safely view and access the component, remove the server from the rack.

---

- Step 4** Remove the top cover as described in [Removing and Replacing the Server Top Cover, page 3-10](#).
- Step 5** Slide the clear password DIP switch from position 2 to the closed position (see [Figure 3-34](#)).
- Step 6** Reinstall the top cover and reconnect AC power cords to the server. The server powers up to standby power mode, indicated when the Power LED on the front panel is amber.
- Step 7** Return the server to main power mode by pressing the **Power** button on the front panel. The server is in main power mode when the Power LED is green.




---

**Note** You must allow the entire server, not just the service processor, to reboot to main power mode to complete the reset. The state of the jumper cannot be determined without the host CPU running.

---

- Step 8** Press the **Power** button to shut down the server to standby power mode, and then remove AC power cords from the server to remove all power.
- Step 9** Remove the top cover from the server.
- Step 10** Slide the clear CMOS DIP switch from the closed position back to default position 2 (see [Figure 3-34](#)).




---

**Note** If you do not move the jumper, the CMOS settings are reset to the default every time that you power-cycle the server.

---

- Step 11** Replace the top cover, replace the server in the rack, replace power cords and any other cables, and then power on the server by pressing the **Power** button.
-

## Using the Clear CMOS DIP Switch

See [Figure 3-34](#) for the location of this DIP switch. You can use this switch to clear the server's CMOS settings in the case of a system hang. For example, if the server hangs because of incorrect settings and does not boot, use this jumper to invalidate the settings and reboot with defaults.

**Caution**

Clearing the CMOS removes any customized settings and might result in data loss. Make a note of any necessary customized settings in the BIOS before you use this clear CMOS procedure.

- Step 1** Power off the server as described in [Shutting Down and Powering Off the Server, page 3-9](#).
- Step 2** Disconnect all power cords from the power supplies.
- Step 3** Slide the server out the front of the rack far enough so that you can remove the top cover. You might have to detach cables from the rear panel to provide clearance.

**Caution**

If you cannot safely view and access the component, remove the server from the rack.

- Step 4** Remove the top cover as described in [Removing and Replacing the Server Top Cover, page 3-10](#).
- Step 5** Slide the clear CMOS DIP switch from position 4 to the closed position (see [Figure 3-34](#)).
- Step 6** Reinstall the top cover and reconnect AC power cords to the server. The server powers up to standby power mode, indicated when the Power LED on the front panel is amber.
- Step 7** Return the server to main power mode by pressing the **Power** button on the front panel. The server is in main power mode when the Power LED is green.

**Note**

You must allow the entire server, not just the service processor, to reboot to main power mode to complete the reset. The state of the jumper cannot be determined without the host CPU running.

- Step 8** Press the **Power** button to shut down the server to standby power mode, and then remove AC power cords from the server to remove all power.
- Step 9** Remove the top cover from the server.
- Step 10** Move the clear CMOS DIP switch from the closed position back to default position 4 (see [Figure 3-34](#)).

**Note**

If you do not move the jumper, the CMOS settings are reset to the default every time that you power-cycle the server.

- Step 11** Replace the top cover, replace the server in the rack, replace power cords and any other cables, and then power on the server by pressing the **Power** button.





# Server Specifications

This appendix lists the technical specifications for the server and includes the following sections:

- [Physical Specifications, page A-1](#)
- [Power Specifications, page A-2](#)
- [Environmental Specifications, page A-6](#)

## Physical Specifications

[Table A-1](#) lists the physical specifications for the server.

**Table A-1**      *Physical Specifications*

| Description                                            | Specification                                                                                                                               |
|--------------------------------------------------------|---------------------------------------------------------------------------------------------------------------------------------------------|
| Height                                                 | 3.4 in. (8.70 cm)                                                                                                                           |
| Width (including slam latches)                         | 19.0 in. (48.26 cm)                                                                                                                         |
| Depth (length)                                         | 29.0 in. (73.70 cm)                                                                                                                         |
| Depth, including slam latches and power supply handles | 31.5 in. (80.00 cm)                                                                                                                         |
| Maximum Weight (fully loaded)                          | SFF 8-drive: 52.9 lb. (24.0 Kg)<br>SFF 16-drive: 58.9 lb. (26.7 Kg)<br>SFF 24-drive: 62.7 lb. (28.4 Kg)<br>LFF 12-drive: 67.5 lb. (30.6 Kg) |

# Power Specifications

The power specifications for the four power supply options are listed in the following sections:

- [650 W AC Power Supply, page A-2](#)
- [1200 W AC Power Supply, page A-3](#)
- [1400 W AC Power Supply, page A-4](#)
- [930 W DC \(Version 2\) Power Supply, UCSC-PSU2V2-930DC, page A-5](#)
- [930 W DC \(Version 1\) Power Supply, UCSC-PSU-930WDC, page A-5](#)

You can get more specific power information for your exact server configuration by using the Cisco UCS Power Calculator:

<http://ucspowercalc.cisco.com>

## 650 W AC Power Supply

[Table A-2](#) lists the specifications for each 650 W AC power supply (Cisco part number UCSC-PSU2V2-650W=).

**Table A-2** Power Supply Specifications

| Description                  | Specification                                                               |
|------------------------------|-----------------------------------------------------------------------------|
| AC input voltage             | Nominal range: 100–120 VAC, 200–240 VAC<br>(Range: 90–132 VAC, 180–264 VAC) |
| AC input frequency           | Nominal range: 50 to 60Hz<br>(Range: 47–63 Hz)                              |
| Maximum AC input current     | 7.6 A at 100 VAC<br>3.65 A at 208 VAC                                       |
| Maximum input volt-amperes   | 760 VA at 100 VAC                                                           |
| Maximum output power per PSU | 650 W                                                                       |
| Maximum inrush current       | 35 A (sub-cycle duration)                                                   |
| Maximum hold-up time         | 12 ms at 650 W                                                              |
| Power supply output voltage  | 12 VDC                                                                      |
| Power supply standby voltage | 3.3 VDC                                                                     |
| Efficiency rating            | Climate Savers Platinum Efficiency (80Plus Platinum certified)              |
| Form factor                  | RSP1                                                                        |
| Input connector              | IEC320 C14                                                                  |



## 1200 W AC Power Supply

Table A-3 lists the specifications for each 1200 W AC power supply (Cisco part number UCSC-PSU2V2-1200W=).

**Table A-3** Power Supply Specifications

| Description                  | Specification                                                               |
|------------------------------|-----------------------------------------------------------------------------|
| AC input voltage             | Nominal range: 100–120 VAC, 200–240 VAC<br>(Range: 90–132 VAC, 180–264 VAC) |
| AC input frequency           | Nominal range: 50 to 60Hz<br>(Range: 47–63 Hz)                              |
| Maximum AC input current     | 11 A at 100 VAC<br>7 A at 200 VAC                                           |
| Maximum input volt-amperes   | 1456 VA                                                                     |
| Maximum output power per PSU | 800 W at 100–120 VAC<br>1200 W at 200–240 VAC                               |
| Maximum inrush current       | 35 A (sub-cycle duration)                                                   |
| Maximum hold-up time         | 12 ms at 1200 W                                                             |
| Power supply output voltage  | 12 VDC                                                                      |
| Power supply standby voltage | 12 VDC                                                                      |
| Efficiency rating            | Climate Savers Platinum Efficiency (80Plus Platinum certified)              |
| Form factor                  | RSP1                                                                        |
| Input connector              | IEC320 C14                                                                  |

## 1400 W AC Power Supply

Table A-2 lists the specifications for each 1400 W AC power supply (Cisco part number UCSC-PSU2-1400=).

**Table A-4** 1400 W Power Supply Specifications

| Description                  | Specification                                                  |
|------------------------------|----------------------------------------------------------------|
| AC input voltage             | Nominal range: 200–240 VAC<br>(Range: 180–264 VAC)             |
| AC input frequency           | Nominal range: 50 to 60Hz<br>(Range: 47–63 Hz)                 |
| Maximum AC input current     | 8.5 A at 200 VAC                                               |
| Maximum input volt-amperes   | 1700 VA                                                        |
| Maximum output power per PSU | 1400 W at 200–240 VAC                                          |
| Maximum inrush current       | 35 A (sub-cycle duration)                                      |
| Maximum hold-up time         | 12 ms at 1200 W                                                |
| Power supply output voltage  | 12 VDC                                                         |
| Power supply standby voltage | 12 VDC                                                         |
| Efficiency rating            | Climate Savers Platinum Efficiency (80Plus Platinum certified) |
| Form factor                  | RSP1                                                           |
| Input connector              | IEC320 C14                                                     |

## 930 W DC (Version 2) Power Supply, UCSC-PSU2V2-930DC

Table A-6 lists the specifications for each 930 W DC power supply (Cisco part number UCSC-PSU2V2-930DC=).

**Table A-5** 930 W DC Power Supply Specifications

| Description                  | Specification                                                    |
|------------------------------|------------------------------------------------------------------|
| DC input voltage range       | Nominal range: –48 to –60 VDC nominal<br>(Range: –40 to –60 VDC) |
| Maximum DC input current     | 28 A at –40 VDC                                                  |
| Maximum input W              | 1104 W                                                           |
| Maximum output power per PSU | 930 W                                                            |
| Maximum inrush current       | 35 A (sub-cycle duration)                                        |
| Maximum hold-up time         | 5 ms at 930 W                                                    |
| Power supply output voltage  | 12 VDC                                                           |
| Power supply standby voltage | 12 VDC                                                           |
| Efficiency rating            | > 92% at 50% load                                                |
| Form factor                  | RSP1 (C-Series 2U and 4U servers)                                |
| Input connector              | Fixed 3-wire block                                               |

## 930 W DC (Version 1) Power Supply, UCSC-PSU-930WDC

Table A-6 lists the specifications for each 930 W DC power supply (Cisco part number UCSC-PSU-930WDC=).

**Table A-6** 930 W DC Power Supply Specifications

| Description                  | Specification                                                    |
|------------------------------|------------------------------------------------------------------|
| DC input voltage range       | Nominal range: –48 to –60 VDC nominal<br>(Range: –40 to –60 VDC) |
| Maximum DC input current     | 23 A at –48 VDC                                                  |
| Maximum input W              | 1104 W                                                           |
| Maximum output power per PSU | 930 W                                                            |
| Maximum inrush current       | 35 A (sub-cycle duration)                                        |
| Maximum hold-up time         | 8 ms at 930 W                                                    |
| Power supply output voltage  | 12 VDC                                                           |
| Power supply standby voltage | 12 VDC                                                           |
| Efficiency rating            | > 92% at 50% load                                                |
| Form factor                  | RSP1 (C-Series 2U and 4U servers)                                |
| Input connector              | Removable connector block UCSC-CONN-930WDC=                      |

# Environmental Specifications

Table A-7 lists the environmental specifications for the server.

**Table A-7**      *Environmental Specifications*

| Description                                                                                   | Specification                                                                                                     |
|-----------------------------------------------------------------------------------------------|-------------------------------------------------------------------------------------------------------------------|
| Temperature, operating                                                                        | 41 to 95°F (5 to 35°C)<br>Derate the maximum temperature by 1°C per every 305 meters of altitude above sea level. |
| Temperature, nonoperating<br>(when the server is in storage or is transported)                | –40 to 149°F (–40 to 65°C)                                                                                        |
| Humidity (RH), operating                                                                      | 10 to 90%                                                                                                         |
| Humidity, non-operating                                                                       | 5 to 93%                                                                                                          |
| Altitude, operating                                                                           | 0 to 10,000 feet                                                                                                  |
| Altitude, nonoperating<br>(when the server is in storage or is transported)                   | 0 to 40,000 feet                                                                                                  |
| Sound power level<br>Measure A-weighted per ISO7779 LwAd (Bels)<br>Operation at 73°F (23°C)   | 5.8                                                                                                               |
| Sound pressure level<br>Measure A-weighted per ISO7779 LpAm (dBA)<br>Operation at 73°F (23°C) | 43                                                                                                                |



# Power Cord Specifications

This appendix provides supported power cable specifications.

## Supported Power Cords and Plugs

Each power supply has a separate power cord. Standard power cords or jumper power cords are available for connection to the server. The jumper power cords, for use in racks, are available as an optional alternative to the standard power cords.



**Note** Only the approved power cords or jumper power cords provided with the server are supported.

[Table B-1](#) lists the power cords for the server power supplies.

**Table B-1** Supported Power Cords for the Server

| Description                                                                                         | Length |        | Power Cord Reference Illustration |
|-----------------------------------------------------------------------------------------------------|--------|--------|-----------------------------------|
|                                                                                                     | Feet   | Meters |                                   |
| CAB-250V-10A-AR<br>Power Cord, 250 VAC 10 A IRAM 2073 Plug<br>Argentina                             | 8.2    | 2.5    | <a href="#">Figure B-1</a>        |
| CAB-9K10A-AU<br>250 VAC 10 A 3112 Plug,<br>Australia                                                | 8.2    | 2.5    | <a href="#">Figure B-2</a>        |
| CAB-250V-10A-CN<br>Power Cord, 250 VAC 10 A GB 2009 Plug<br>China                                   | 8.2    | 2.5    | <a href="#">Figure B-3</a>        |
| CAB-9K10A-EU<br>Power Cord, 250 VAC 10 A M 2511 Plug<br>Europe                                      | 8.2    | 2.5    | <a href="#">Figure B-4</a>        |
| CAB-250V-10A-ID<br>Power Cord, 250 VAC 16A EL-208 Plug<br>South Africa, United Arab Emirates, India | 8.2    | 2.5    | <a href="#">Figure B-5</a>        |
| CAB-250V-10A-IS<br>Power Cord, 250 VAC 10 A SI32 Plug<br>Israel                                     | 8.2    | 2.5    | <a href="#">Figure B-6</a>        |

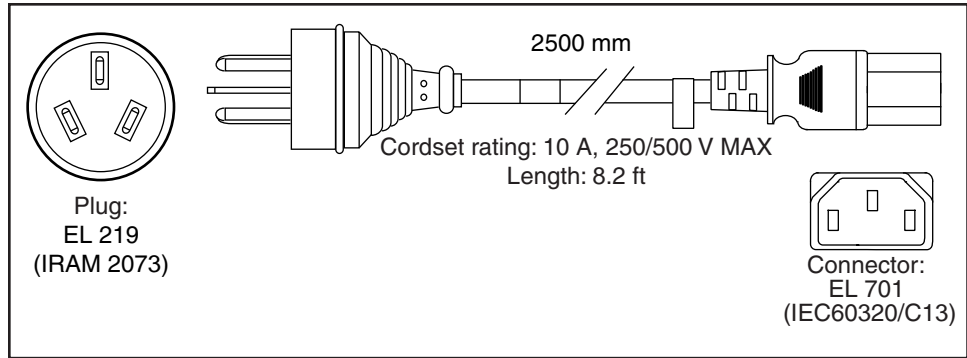
**Table B-1** Supported Power Cords for the Server (continued)

| Description                                                                                                      | Length |        | Power Cord Reference Illustration |
|------------------------------------------------------------------------------------------------------------------|--------|--------|-----------------------------------|
|                                                                                                                  | Feet   | Meters |                                   |
| CAB-9K10A-IT<br>Power Cord, 250 VAC 10 A CEI 23-16 Plug<br>Italy                                                 | 8.2    | 2.5    | <a href="#">Figure B-7</a>        |
| CAB-9K10A-SW<br>Power Cord, 250 VAC 10 A MP232 Plug<br>Switzerland                                               | 8.2    | 2.5    | <a href="#">Figure B-8</a>        |
| CAB-9K10A-UK<br>Power Cord, 250 VAC 10 A BS1363 Plug (13 A fuse)<br>United Kingdom                               | 8.2    | 2.5    | <a href="#">Figure B-9</a>        |
| CAB-AC-250V/13A<br>Power Cord, 250 VAC 13 A IEC60320 Plug<br>North America                                       | 6.6    | 2.0    | <a href="#">Figure B-10</a>       |
| CAB-N5K6A-NA<br>Power Cord, 250 VAC 13 A NEMA 6-15 Plug,<br>North America                                        | 8.2    | 2.5    | <a href="#">Figure B-11</a>       |
| CAB-9K12A-NA<br>Power cord, 125 VAC, 13 A, NEMA 5-15 Plug<br>North America                                       | 8.2    | 2.5    | <a href="#">Figure B-12</a>       |
| CAB-C13-CBN<br>Cabinet Jumper Power Cord, 250 VAC 10 A,<br>C13-C14 Connectors                                    | 2.2    | 0.68   | <a href="#">Figure B-13</a>       |
| CAB-C13-C14-2M<br>Cabinet Jumper Power Cord, 250 VAC 10 A,<br>C13-C14 Connectors                                 | 6.6    | 2.0    | <a href="#">Figure B-14</a>       |
| CAB-C13-C14-AC<br>Cabinet Jumper Power Cord, 250 VAC 10 A,<br>C13-C14 Connectors                                 | 9.8    | 3.0    | <a href="#">Figure B-15</a>       |
| CAB-48DC-40A-8AWG<br>Power cord, -48 VDC 40 A,<br>Three-socket Mini-Fit connector to three-wire<br>pigtail 8 AWG | 11.7   | 3.5    | <a href="#">Figure B-16</a>       |

# AC Power Cord Illustrations

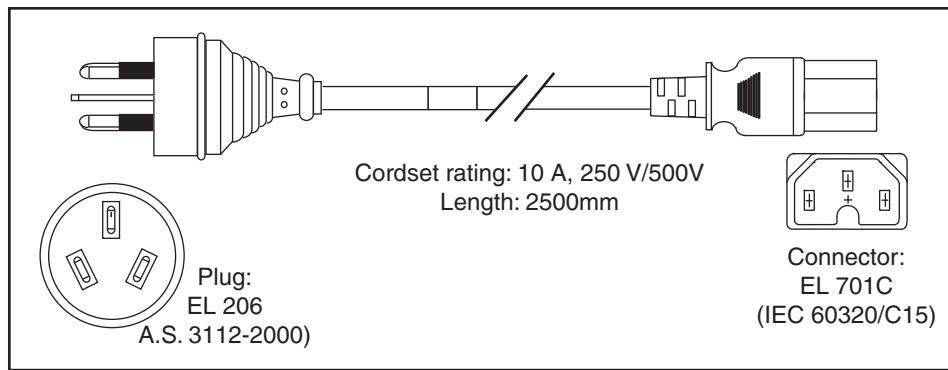
This section includes the AC power cord illustrations. See [Figure B-1](#) through [Figure B-15](#).

**Figure B-1 CAB-250V-10A-AR**



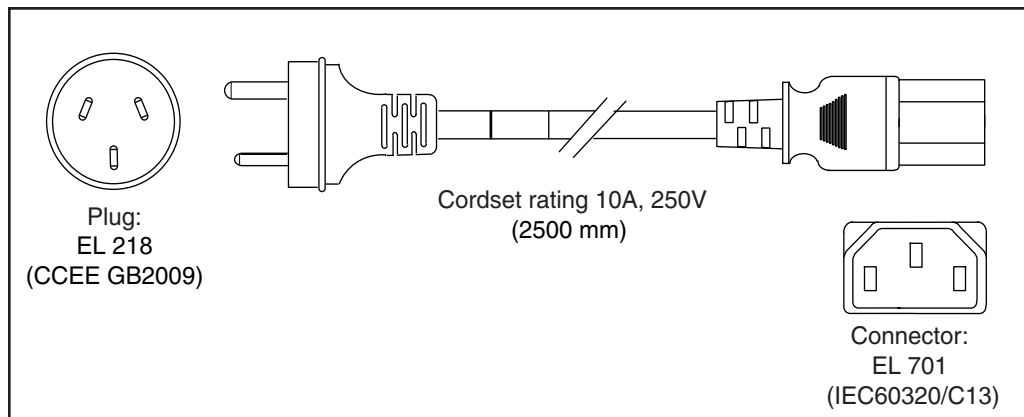
186571

**Figure B-2 CAB-9K10A-AU**



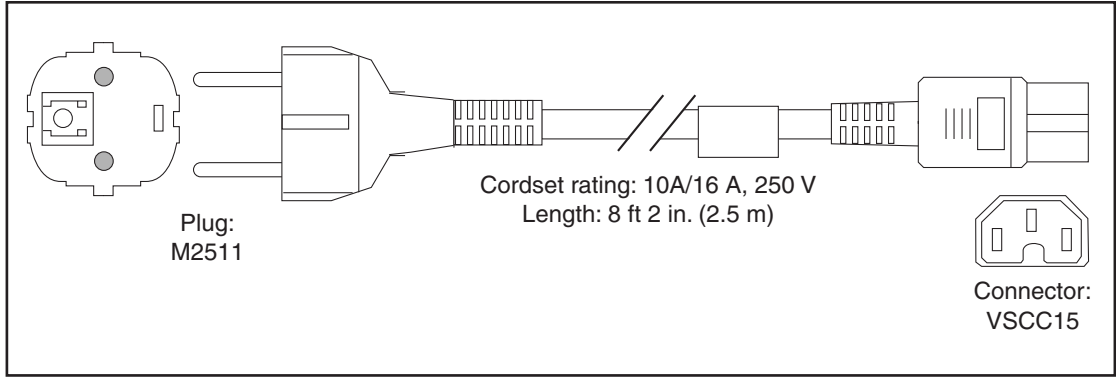
186581

**Figure B-3 CAB-250V-10A-CN**

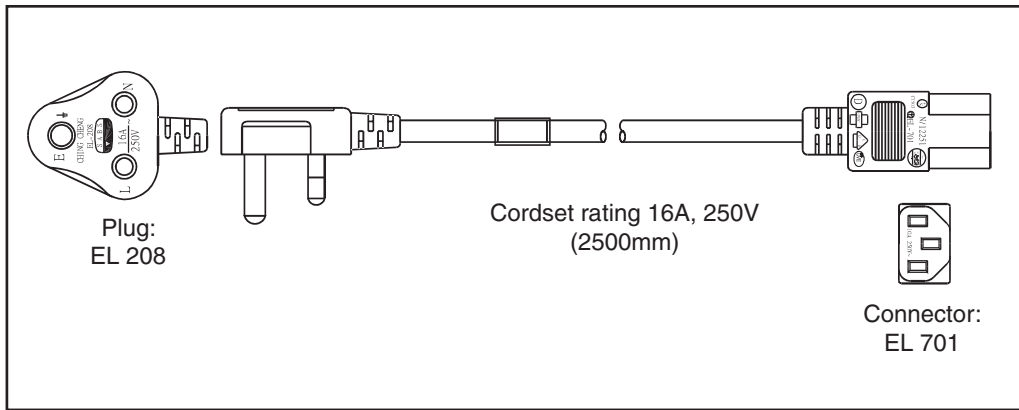


186573

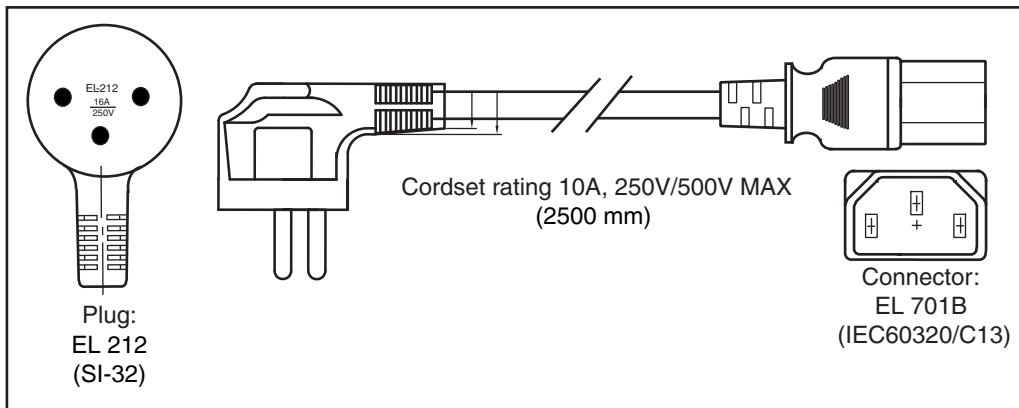
**Figure B-4 CAB-9K10A-EU**



**Figure B-5 CAB-250V-10A-ID**

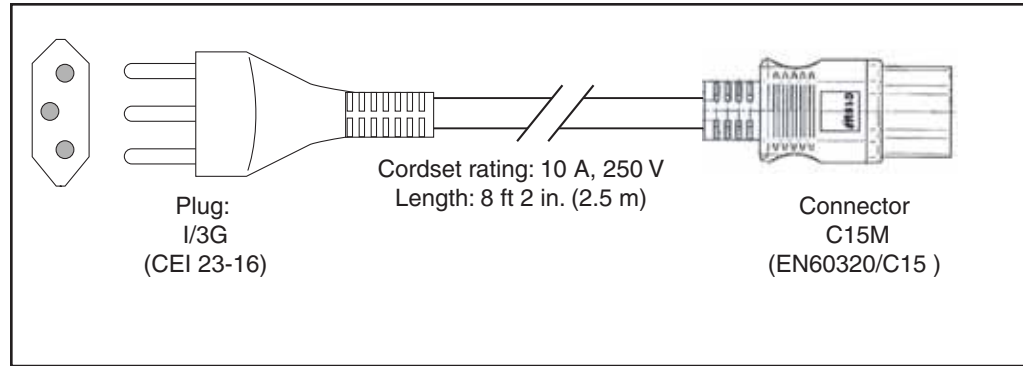


**Figure B-6 CAB-250V-10A-IS**

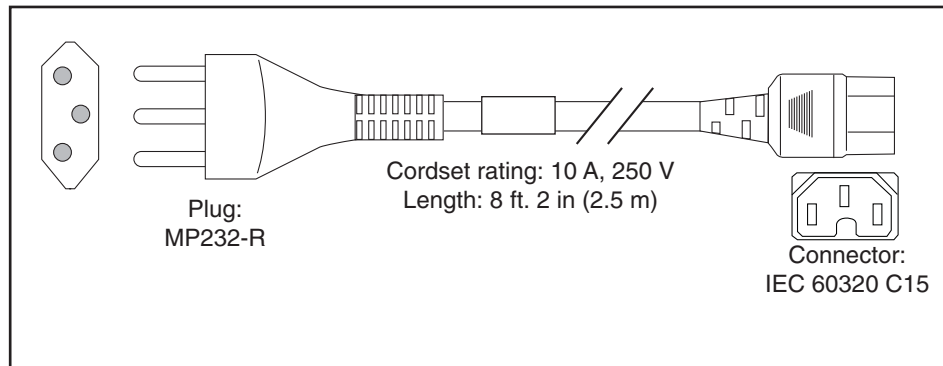




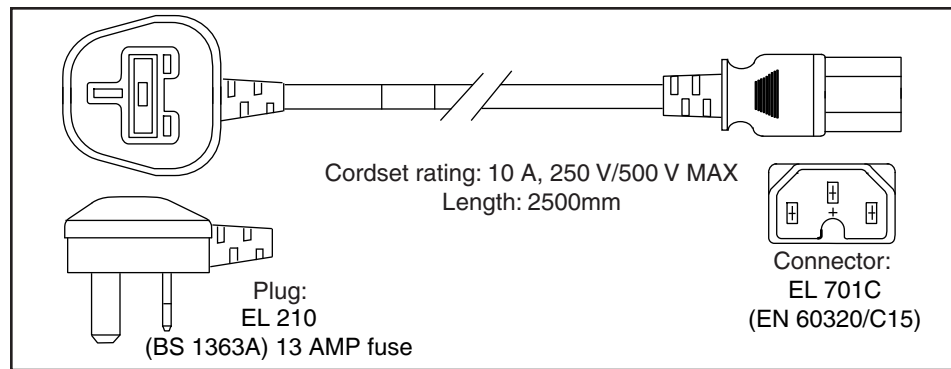
**Figure B-7 CAB-9K10A-IT**



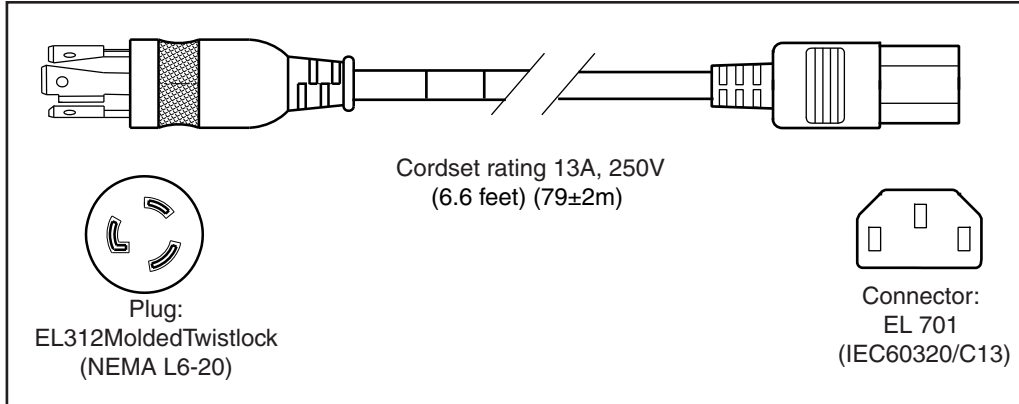
**Figure B-8 CAB-9K10A-SW**



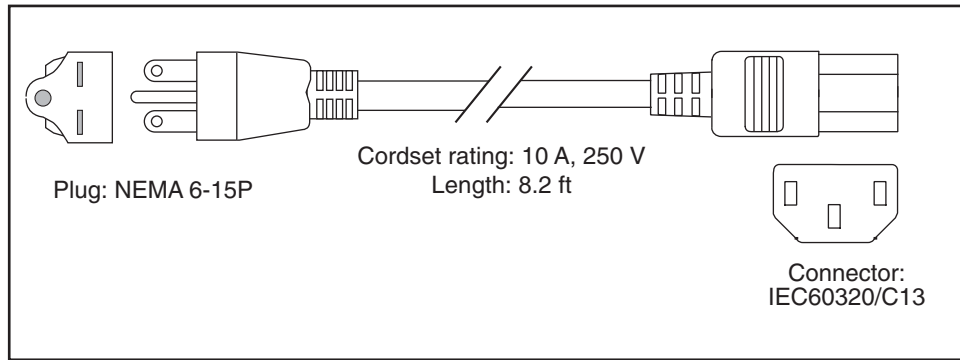
**Figure B-9 CAB-9K10A-UK**



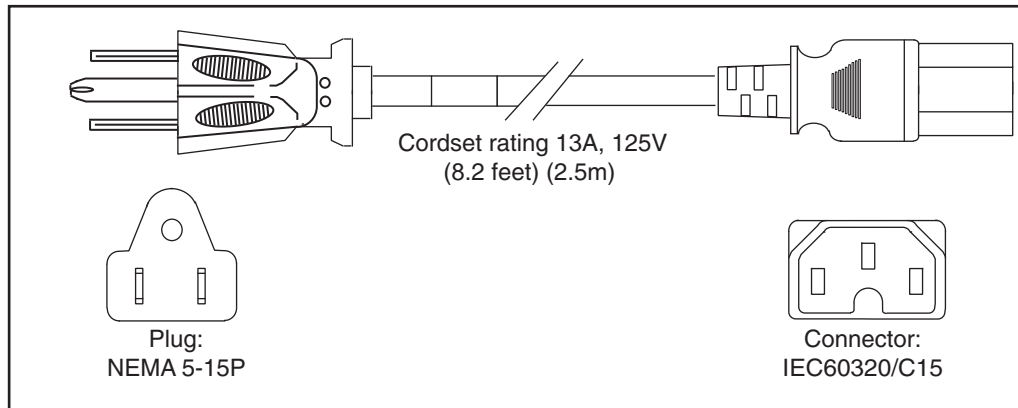
**Figure B-10 CAB-AC-250V/13A**



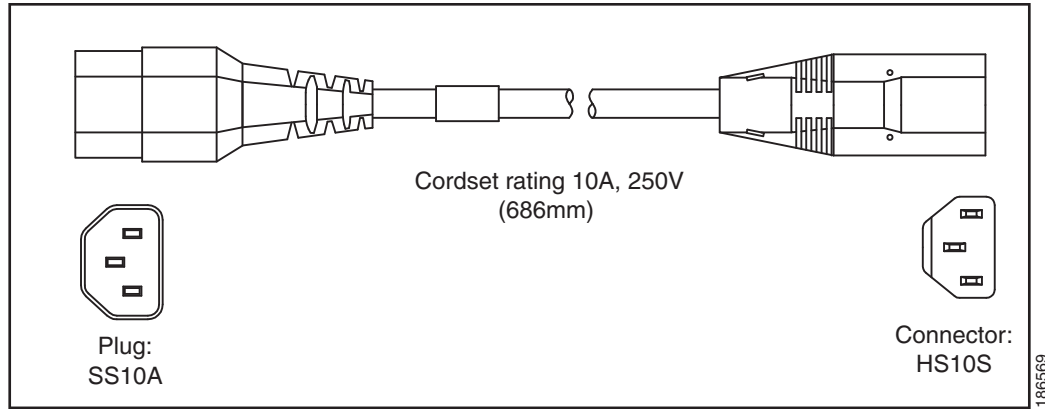
**Figure B-11 CAB-N5K6A-NA**



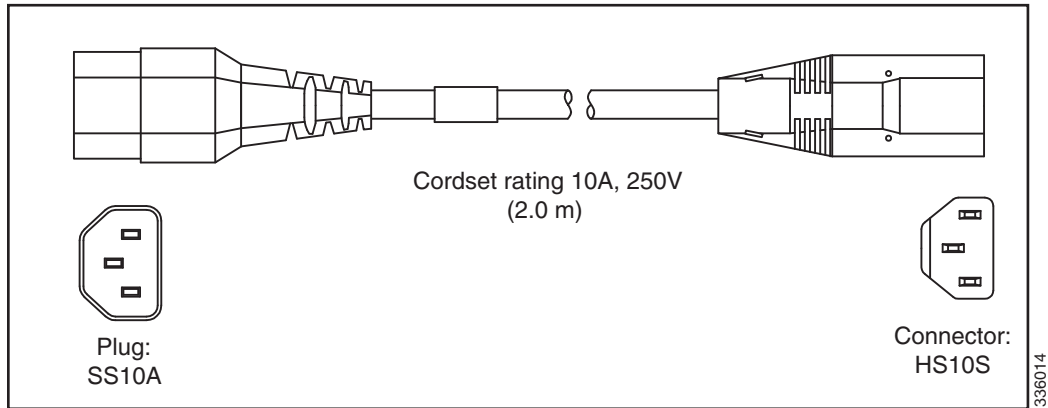
**Figure B-12 CAB-9K12A-NA**



**Figure B-13** CAB-C13-CBN, Jumper Power Cord (0.68 m)



**Figure B-14** CAB-C13-C14-2M, Jumper Power Cord (2 m)



**Figure B-15** CAB-C13-C14-AC, Jumper Power Cord (3 m)

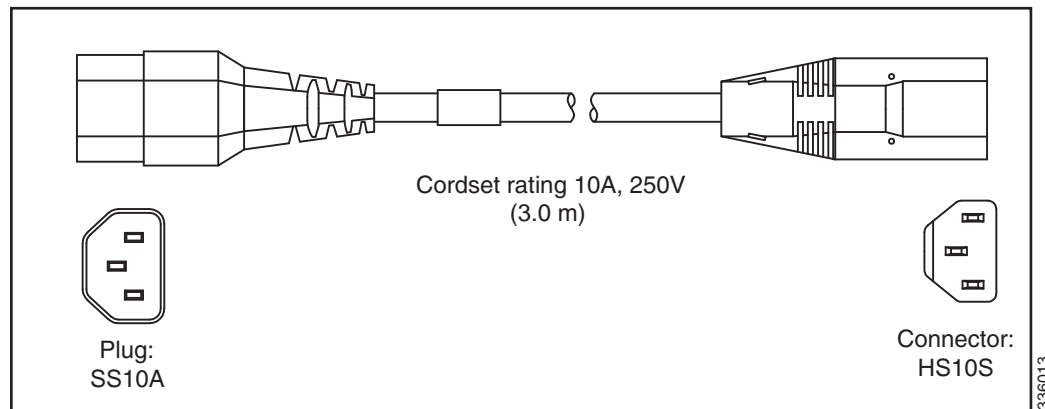
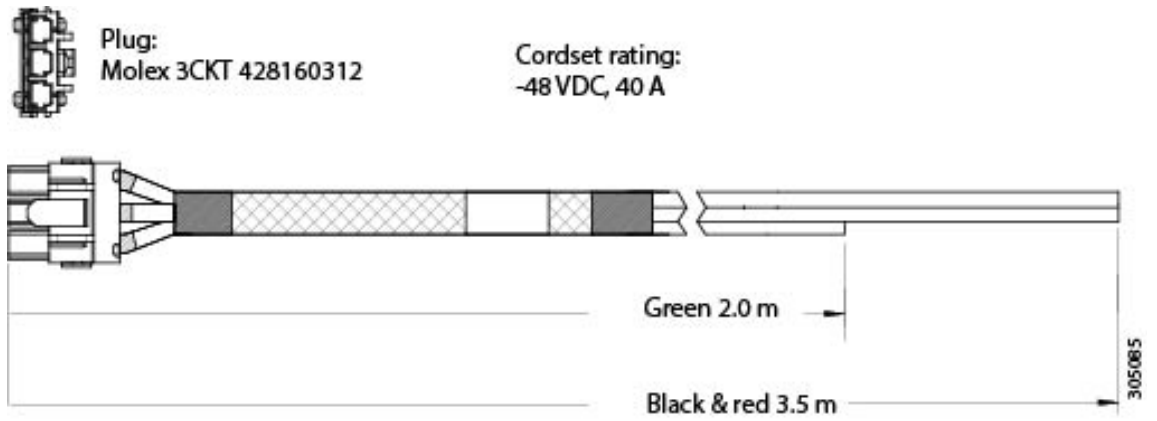


Figure B-16 CAB-48DC-40A-8AWG, DC Power Cord (3.5 m)





## RAID Controller Considerations

---

This appendix contains the following sections:

- [Supported RAID Controllers and Required Cables, page C-2](#)
- [RAID Card Firmware Compatibility, page C-3](#)
- [Write-Cache Policy for Cisco 12G SAS Modular RAID Controller, page C-3](#)
- [Support Matrix For Cisco UCS C240 M4 Server RAID Controllers, page C-4](#)
- [Cisco UCS SAS 9300-8e HBA Considerations, page C-4](#)
- [Mixing Drive Types in RAID Groups, page C-6](#)
- [RAID Backup Units, page C-6](#)
- [RAID Controller Cabling, page C-7](#)
- [Embedded SATA RAID Controller, page C-10](#)
- [Restoring RAID Configuration After Replacing a RAID Controller, page C-23](#)
- [For More Information, page C-24](#)

Also see these procedures for replacing RAID-related hardware:

- [Replacing a Cisco Modular RAID Controller Card, page 3-36](#)
- [Replacing a Modular RAID Controller Transportable Memory Module \(TMM\), page 3-38](#)
- [Replacing the Supercap Power Module \(RAID Backup Battery\), page 3-40](#)
- [Replacing a SATA Interposer Board, page 3-34](#)
- [Replacing a Software RAID 5 Key Module, page 3-42](#)

# Supported RAID Controllers and Required Cables

This server supports the RAID controllers and cable requirements shown in [Table C-1](#).



## Caution

In a SFF 8-drive server, do not use the embedded software RAID controller and a hardware RAID controller card to control the front-facing drives at the same time. This combination is not supported and could result in data loss. You can use the embedded software RAID controller to control internal SAS SSD boot drives (SFF 24-drive and LFF 12-drive server versions only) while you use a hardware RAID controller card to control the front-facing drives.



## Note

See [Support Matrix For Cisco UCS C240 M4 Server RAID Controllers, page C-4](#) for information about controller support by server version and drive type.

**Table C-1** Cisco UCS C240 M4 RAID Options

| Controller                                                                                                                                                | Style    | Supported Server Version/<br>Maximum Front-Facing Drives<br>Controlled                                                                                                                                                                                    | SCPM             | RAID Levels                                                                                                                                          | Required Cables                                                                                                                                                                                                                                       |
|-----------------------------------------------------------------------------------------------------------------------------------------------------------|----------|-----------------------------------------------------------------------------------------------------------------------------------------------------------------------------------------------------------------------------------------------------------|------------------|------------------------------------------------------------------------------------------------------------------------------------------------------|-------------------------------------------------------------------------------------------------------------------------------------------------------------------------------------------------------------------------------------------------------|
| Embedded RAID (PCH SATA)                                                                                                                                  | On board | <ul style="list-style-type: none"> <li>SFF 8-drives/no expander: 8 internal SATA drives</li> </ul>                                                                                                                                                        | No               | 0, 1, 5 <sup>1</sup> , 10                                                                                                                            | <ul style="list-style-type: none"> <li>SFF 8-drives/no expander: Cable and required SATA interposer board bundled as UCSC-IP-PCH-C240M4=</li> </ul>                                                                                                   |
| Cisco UCS 12G SAS Modular RAID Controller<br><br>This controller can be ordered with modular flash-based write cache (FBWC) options: 1 GB, 2 GB, or 4 GB. | PCIe     | <ul style="list-style-type: none"> <li>SFF 8-drives/no expander: 8 internal drives</li> <li>SFF 16-drives/expander: 16 internal drives</li> <li>SFF 24-drives/expander: 24 internal drives</li> <li>LFF 12-drives/expander: 12 internal drives</li> </ul> | Yes <sup>2</sup> | Variable by cache size: <ul style="list-style-type: none"> <li>No cache: 0, 1, 10</li> <li>1GB, 2GB, or 4GB cache: 0, 1, 5, 6, 10, 50, 60</li> </ul> | <ul style="list-style-type: none"> <li>SFF 8-drives/no expander: (UCS-240CBLMR8=)</li> <li>SFF 16 drives/expander: (UCS-240CBLMR16=)</li> <li>SFF 24 drives/expander: (UCS-240CBLMR24=)</li> <li>LFF 12 drives/expander: (UCS-240CBLMR12=)</li> </ul> |
| Cisco UCS 12G SAS Modular HBA<br><br>Note: See also <a href="#">Write-Cache Policy for Cisco 12G SAS Modular RAID Controller, page C-3</a> .              | PCIe     | <ul style="list-style-type: none"> <li>SFF 8-drives/no expander: 8 internal drives</li> <li>SFF 16-drives/expander: 16 internal drives</li> <li>SFF 24-drives/expander: 24 internal drives</li> <li>LFF 12-drives/expander: 12 internal drives</li> </ul> | No               | Non-RAID                                                                                                                                             | <ul style="list-style-type: none"> <li>SFF 8-drives/no expander: (UCS-240CBLMR8=)</li> <li>SFF 16 drives/expander: (UCS-240CBLMR16=)</li> <li>SFF 24 drives/expander: (UCS-240CBLMR24=)</li> <li>LFF 12 drives/expander: (UCS-240CBLMR12=)</li> </ul> |
| Cisco UCS SAS 9300-8e HBA<br><br>Note: See also <a href="#">Cisco UCS SAS 9300-8e HBA Considerations, page C-4</a> .                                      | PCIe     | <ul style="list-style-type: none"> <li>All server versions 8 external SAS+SATA ports, controlling up to 1024 non-RAID external drives</li> </ul>                                                                                                          | No               | Non-RAID                                                                                                                                             | <ul style="list-style-type: none"> <li>External storage cables are not sold by Cisco.</li> </ul> <p>NOTE: This HBA does not support optical cables for connection to external storage (copper only).</p>                                              |

1. Embedded RAID 5 support requires an optional RAID 5 key module.

2. SCPM = SuperCap power module (RAID backup unit). See [RAID Backup Units, page C-6](#).

# RAID Card Firmware Compatibility

If the PCIe card that you are installing is a RAID controller card, firmware on the RAID controller must be verified for compatibility with the current Cisco IMC and BIOS versions that are installed on the server. If not compatible, upgrade or downgrade the RAID controller firmware accordingly using the Host Upgrade Utility (HUU) for your firmware release to bring it to a compatible level.

See the HUU guide for your Cisco IMC release for instructions on downloading and using the utility to bring server components to compatible levels: [HUU Guides](#)

## Write-Cache Policy for Cisco 12G SAS Modular RAID Controller

For this server and other Cisco Generation M4 servers, the default write-cache policy for the Cisco Modular RAID controller is *Write Through* (irrespective of the presence of a charged Supercap power module or “good BBU”). This utilizes the optimal performance characteristics of the controller.

If you have Cisco IMC 2.0(5) or later firmware installed to the M4 server, the write policy can be set to *Write Back*, if preferred.

You can set the write policy using the following methods:

- For standalone servers, use the Cisco IMC interface to set Virtual Drive Properties > Write Policy. See the “Managing Storage Adapters” section in your Cisco IMC Configuration Guide. [Cisco IMC GUI and CLI Configuration Guides](#)
- For Cisco UCS-integrated servers, use the Cisco UCS Manager interface to set the write-cache policy as part of virtual drive configuration in your storage profile. [Cisco UCS Manager Configuration Guides](#)
- Use the LSI Option ROM Configuration Utility.

# Support Matrix For Cisco UCS C240 M4 Server RAID Controllers

Table C-2 lists the support for the available controllers by server version.

Table C-2 Support Matrix For C240 M4 RAID Controllers

| C240 M4 Version | Boot SSD (Internal) Supported? | Embedded Software RAID Control Boot SSD (Internal)? | AHCI Mode Control Boot SSD (Internal)? | Hardware Controller Card Control Boot SSD (Internal)? | Embedded Software RAID Control Front-Facing drives? | AHCI mode Control Front-Facing drives? | Cisco 12G Modular RAID Controller Card Control Front-Facing Drives? | SAS 9300-8i HBA Controller Card Control Front-Facing Drives? |
|-----------------|--------------------------------|-----------------------------------------------------|----------------------------------------|-------------------------------------------------------|-----------------------------------------------------|----------------------------------------|---------------------------------------------------------------------|--------------------------------------------------------------|
| SFF 8 HDD       | No                             | N/A                                                 | N/A                                    | N/A                                                   | Yes                                                 | No                                     | Yes                                                                 | N/A                                                          |
| LFF 12 HDD      | Yes                            | Yes                                                 | Yes                                    | No                                                    | No                                                  | No                                     | Yes                                                                 | Yes                                                          |
| SFF 16 HDD      | No                             | N/A                                                 | N/A                                    | N/A                                                   | No                                                  | No                                     | Yes                                                                 | N/A                                                          |
| SFF 24 HDD      | Yes                            | Yes                                                 | Yes                                    | No                                                    | No                                                  | No                                     | Yes                                                                 | Yes                                                          |

## Cisco UCS SAS 9300-8e HBA Considerations

This section contains the following topics:

- [Optical Cables Not Supported for 9300-8e HBA, page C-4](#)
- [Mixing Rules, page C-4](#)
- [Cisco UCS 9300-8e Bad Drive and Predictive Failure Behavior, page C-4](#)
- [Setting the Preferred Boot Device for Cisco UCS 9300-8e, page C-5](#)

### Optical Cables Not Supported for 9300-8e HBA

The 9300-8e HBA does not support optical cables for connection to external storage (copper only).

### Mixing Rules

Mixing the Cisco UCS 9300-8e HBA in the same server as the Cisco UCS 12G SAS Modular HBA requires the following firmware levels:

- Cisco IMC/BIOS 2.0(8) or later
- Cisco UCS Manager 2.2(6) or later (for integrated servers only)

### Cisco UCS 9300-8e Bad Drive and Predictive Failure Behavior

The bad drive and predictive failure behavior for the Cisco UCS SAS 9300-e HBA cards is different than that for LSI MegaRAID cards. The list below compares behavior for these HBA cards and LSI MegaRAID cards.

- Bad/invalid/0MB drive handling:
  - MegaRAID: The bad drive is marked BAD in the GUI/CLI interfaces and the fault LED on the drive is solid amber.



- HBA: The bad drive is not shown in the GUI/CLI and there is no LED indication.
- Drive predictive failure:
  - MegaRAID: If the drive is part of a RAID volume with a spare, the software performs an auto-copy backup and then marks the drive failed/BAD with the fault LED on the drive solid amber.
  - HBA: There is no error handling and there is no LED indication. The operating system must handle the fault.

## Setting the Preferred Boot Device for Cisco UCS 9300-8e

Currently, the boot device order for these HBAs does not map to a physical slot as seen in the Boot Option dialog of the server BIOS Setup Utility. This makes it difficult to differentiate between multiple devices.

Use the following procedure to select the preferred boot device in the LSI BIOS CU SAS Topology screen. When you select the preferred boot device in the BIOS CU SAS Topology screen, it is displayed at the top of the list in the server BIOS Setup Utility Boot Option dialog, making it easy to identify.

- 
- Step 1** In the LSI SAS BIOS CU, navigate to the SAS Topology screen.
- Step 2** Press **Alt+B** to select or deselect a device as the preferred boot device. On this screen, you can identify the device by slot number.
- Step 3** Press **Alt+A** to select or deselect a device as the alternate boot device. On this screen, you can identify the device by slot number. The alternate boot device is used if the preferred boot device is not detected.
- Step 4** Return to the BIOS CU SAS Topology screen.  
The Device Info column shows which devices you selected with the designators `BOOT` and `ALT`.
- Step 5** In the server BIOS Setup Utility, open the Boot Option dialog.  
The preferred device that you selected in the LSI BIOS CU is listed at the top of the list.
- Step 6** Select the device at the top of the list as your boot option.
-

## Mixing Drive Types in RAID Groups

[Table C-3](#) lists the technical capabilities for mixing hard disk drive (HDD) and solid state drive (SSD) types in a RAID group. However, see the recommendations that follow for the best performance.

**Table C-3** Drive Type Mixing in RAID Groups

| Mix of Drive Types in RAID Group | Allowed? |
|----------------------------------|----------|
| SAS HDD + SATA HDD               | Yes      |
| SAS SSD + SATA SSD               | Yes      |
| HDD + SSD                        | No       |

### Mixing Drive Types in RAID Groups

For the best performance, follow these guidelines:

- Use either all SAS or all SATA drives in a RAID group.
- Use the same capacity for each drive in the RAID group.
- Never mix HDDs and SSDs in the same RAID group.

## RAID Backup Units

This server supports installation of one SuperCap power module (SCPM). The units mount to clips on the removable air baffle (see [Figure 3-21](#)).

The SCPM provides approximately three years of backup for the disk write-back cache DRAM in the case of a sudden power loss by offloading the cache to the NAND flash.

For SCPM replacement instructions, see [Replacing the Supercap Power Module \(RAID Backup Battery\)](#), page 3-40.

# RAID Controller Cabling

This section includes the following topics:

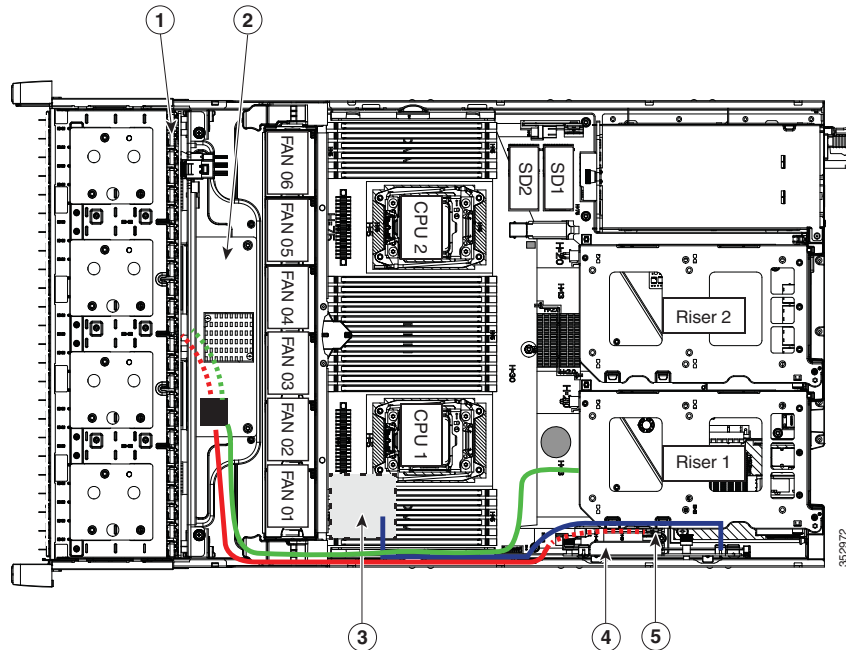
- [Cable Routing, page C-7](#)
- [Cisco UCS C240 M4 Server RAID Controller Cabling Instructions, page C-8](#)

## Cable Routing

The RAID controller connectors in this server are shown in [Figure C-1](#).

- The red line shows the recommended cable routing path from the Cisco modular RAID controller card or the embedded SATA RAID interposer board to the drive backplane or expander. Cable clips on the chassis wall secure the cables.
- The blue line shows the recommended cable routing path from the Cisco modular RAID controller to the SCPM on the removable air baffle. The SCPM cable should pass through the opening on the rear of the air baffle to avoid interfering with the top cover.
- The green line shows the recommended cable routing path from an HBA in slot 1 to the drive backplane or expander.

**Figure C-1 RAID Controller Connectors and Cable Paths**



|                                                                                                                               |                                                                                         |
|-------------------------------------------------------------------------------------------------------------------------------|-----------------------------------------------------------------------------------------|
| <p><b>1</b> Drive backplane<br/>The SFF 16-drive and LFF 12-drive options have an expander integrated into the backplane.</p> | <p><b>4</b> Cisco modular RAID controller PCIe slot (dedicated slot on motherboard)</p> |
| <p><b>2</b> Expander<br/>The SFF 24-drive version (shown) has an expander separate from the backplane.</p>                    | <p><b>5</b> Embedded SATA RAID interposer board socket on motherboard</p>               |
| <p><b>3</b> SCPM mounting location on removable air baffle (air baffle not shown)</p>                                         |                                                                                         |

# Cisco UCS C240 M4 Server RAID Controller Cabling Instructions

This section contains cabling instructions for controlling front-facing drives in the four server versions and their supported cables:

- [SFF 8-Drive Direct-Connect Backplane, No Expander, page C-8](#)
- [SFF 16-Drive Backplane with Integrated Expander, page C-8](#)
- [SFF 24-Drive Backplane with Expander Cabling, page C-9](#)
- [LFF 12-Drive Backplane with Expander, page C-9](#)

## SFF 8-Drive Direct-Connect Backplane, No Expander

The SFF 8-drive option does not use a SAS expander, so connections from the controller are made directly to the backplane. The cable connections required for each type of controller are as follows:

### Embedded RAID

This option can control up to eight front-facing SATA drives (in two groups of four drives).

The required UCSC-IP-PCH-C240M4= kit includes the SATA interposer board and one Y-cable (mini-SAS HD to mini-SAS 36-pin x2).

Make the following connections:

1. Connect the PORT A cable connector to the PORT A connector on the interposer board.
2. Connect the PORT B cable connector to the PORT B connector on the interposer board.
3. Connect the single mini-SAS HD cable connector to the single connector on the backplane.

### Cisco UCS 12G Modular RAID Controller

This option can control up to eight drives.

The required UCS-240CBLMR8= cable kit has one cable with a mini-SAS HD connector on each end.

Make the following connections:

1. Connect one end of the cable to the modular RAID controller card.
2. Connect the other end of the cable to the single mini-SAS HD connector on the backplane.

## SFF 16-Drive Backplane with Integrated Expander

The SFF 16-drive option has a SAS expander integrated with the backplane.

### Cisco UCS 12G Modular RAID Controller

This option can control up to 16 drives.

The required UCS-C240CBLMR16= cable kit has one cable with a mini-SAS HD connector on each end.

Make the following connections:

1. Connect one end of the cable to the modular RAID controller card.
2. Connect the other end of the cable to the single mini-SAS HD connector on the backplane.

## SFF 24-Drive Backplane with Expander Cabling

The SFF 24-drive option has a backplane and SAS expander.



Note

---

No cabling is required for the embedded SATA RAID controller to control the internal SSD boot drives.

---

### Cisco UCS 12G Modular RAID Controller

This option can control up to 24 drives.

The required UCS-240CBLMR24= cable kit has one cable with a mini-SAS HD connector on each end.

Make the following connections:

1. Connect one end of the cable to the modular RAID controller card.
2. Connect the other end of the cable to the single mini-SAS HD connector on the expander.

### Cisco UCS SAS 9300-8i HBA

This option can control up to 24 drives (non-RAID).

The required 240CBLHBA24= cable kit has one cable with a mini-SAS HD connector on each end.

Make the following connections:

1. Connect one end of the cable to the modular RAID controller card.
2. Connect the other end of the cable to the single mini-SAS HD connector on the expander.

## LFF 12-Drive Backplane with Expander

The LFF 12-drive option has a SAS expander integrated with the backplane.



Note

---

No cabling is required for the embedded SATA RAID controller to control the internal SSD boot drives.

---

### Cisco UCS 12G Modular RAID Controller

This option can control up to 12 drives.

The required UCS-240CBLMR12= cable kit has one Y-cable with a mini-SAS HD double connector on one end and two mini-SAS HD single connectors on the other end.

1. Connect the mini-SAS double connector to the modular RAID controller card.
2. Connect single connector PORT A to the PORT A connector on the backplane.
3. Connect single connector PORT B to the PORT B connector on the backplane.

### Cisco UCS SAS 9300-8i HBA

This option can control up to 12 drives (non-RAID).

The required 240CBLHBA12= cable kit has one Y-cable with a mini-SAS HD double connector on one end and two mini-SAS HD single connectors on the other end.

Make the following connections:

1. Connect the mini-SAS double connector to the modular RAID controller card.
2. Connect single connector PORT A to the PORT A connector on the backplane.
3. Connect single connector PORT B to the PORT B connector on the backplane.

# Embedded SATA RAID Controller



## Note

VMware ESX/ESXi or any other virtualized environments are not supported for use with the embedded MegaRAID controller. Hypervisors such as Hyper-V, Xen, or KVM are also not supported for use with the embedded MegaRAID controller.

This server includes an embedded MegaRAID controller hub that can control up to eight SATA-only front-facing drives (SFF 8-drive server only). It can also control up to two internal boot SSDs (SFF 24-drive and LFF 12-drive servers only).

This section contains the following topics:

- [Embedded SATA RAID Controller Requirements For Front-Facing Drive Control, page C-10](#)
- [Embedded SATA RAID: Two SATA Controllers, page C-11](#)
- [Embedded SATA RAID Controller Considerations, page C-12](#)
- [Installing a SATA Interposer Board For Front-Facing Drive Control, page C-12](#)
- [Installing a Software RAID 5 Key Module for Embedded RAID 5 Support, page C-12](#)
- [Enabling the Embedded RAID Controller in the BIOS, page C-13](#)
- [Disabling the Embedded RAID Controller in the BIOS, page C-14](#)
- [Launching the LSI Embedded MegaRAID Configuration Utilities, page C-14](#)
- [Installing LSI MegaSR Drivers For Windows and Linux, page C-15](#)

## Embedded SATA RAID Controller Requirements For Front-Facing Drive Control

The embedded SATA RAID controller hub requires the following items:

- For front-facing drive control—The SFF, 8-drive version of the server.
 

The embedded RAID option is available for front-facing drive control only with the SFF 8-drive, direct-connect backplane.
- A SATA interposer board and Y-cable (bundled as UCSC-IP-PCH-C240M4=).
 

This interposer board plugs into the motherboard and provides cable connectors.
- (Optional) A SATA RAID 5 key module.
 

This optional module can be installed to a motherboard header to add SATA RAID 5 support for front-facing drives.
- The embedded SATA RAID controller must be enabled in the server BIOS.
- (Optional) LSI MegaSR drivers for Windows or Linux.



## Note

The embedded SATA RAID controller can also manage internal SSD boot drives in a RAID 1 array. For that case, the requirement is either the LFF 12-drive or the SFF 24-drive version of the server. Only the LFF 12-drive and the SFF 24-drive versions of the server support internal boot SSDs. No cabling is required for managing the internal SSD boot drives.

## Embedded SATA RAID: Two SATA Controllers

The embedded RAID Patsburgh controller hub (PCH) is split into two controllers: SATA and sSATA (secondary SATA). These two controllers are seen as separate RAID controllers in the Cisco IMC interface and are configurable separately.

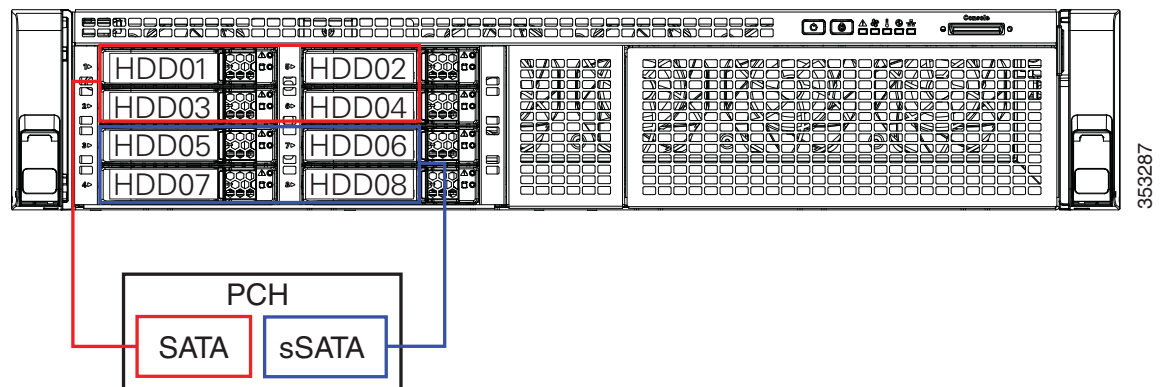
- The first SATA controller controls front-facing drives 1–4; it can also control the two internal SATA SSD boot drives (see [Table C-4](#)).
- The secondary sSATA controller controls front-facing drives 5–8 (see [Table C-4](#)).

**Table C-4** SATA and sSATA Listing of Drives in LSI SW RAID Utilities

| SATA                      | sSATA          |
|---------------------------|----------------|
| 0—Front HDD 01            | 0—Front HDD 05 |
| 1—Front HDD 02            | 1—Front HDD 06 |
| 2—Front HDD 03            | 2—Front HDD 07 |
| 3—Front HDD 04            | 3—Front HDD 08 |
| 4—SSD internal boot drive |                |
| 5—SSD internal boot drive |                |

- When configuring RAID groups, you cannot create a group that spans more than four drives.
  - The first SATA controller can control a RAID group of up to four drives, comprised of only front drives 1–4 (see [Figure C-2](#)).
  - The first SATA controller can also control a RAID 1 group of the two internal SATA boot drives.
  - The secondary sSATA controller can control a RAID group of up to four drives, comprised of only front drives 5–8 (see [Figure C-2](#)).

**Figure C-2** Embedded RAID Controller Drive Groups



- See [Enabling the Embedded RAID Controller in the BIOS, page C-13](#) for instructions on enabling the two SATA controllers.
- Each controller is listed separately in the BIOS. You can select the boot order of the controllers in the BIOS (use the **Boot Options** tab in the BIOS Setup Utility).



**Note** To set the boot order for virtual drives, use the LSI Embedded RAID Configuration Utility (legacy or UEFI version). See [Launching the LSI Embedded MegaRAID Configuration Utilities, page C-14](#).

## Embedded SATA RAID Controller Considerations

Note the following considerations for controlling front-facing drives (SFF 8-drive server version only):

- The default setting for this embedded controller hub is SATA RAID 0, 1, and 10 support for up to eight front-facing SATA drives.
- You can upgrade to SATA RAID 0, 1, 5, and 10 support for up to eight front-facing SATA drives (in two groups of four drives) by installing a RAID 5 key module on the motherboard. See [Installing a Software RAID 5 Key Module for Embedded RAID 5 Support, page C-12](#).
- When you order the server with this embedded controller, the controller is enabled in the BIOS. Instructions for enabling the controller are included for the case in which a server is reset to defaults (Disabled). See [Enabling the Embedded RAID Controller in the BIOS, page C-13](#).
- You cannot downgrade from using a HW RAID controller card to using the software RAID embedded controller for front-facing drive control.



### Caution

Data migration from software RAID (embedded RAID) to HW RAID (a controller card) is *not* supported and could result in data loss. Migrations from software RAID to HW RAID are supported only *before* there is data on the drives, or the case in which there are no drives in the server.

- The required drivers for this controller are already installed and ready to use with the LSI software RAID Configuration Utility (legacy version or UEFI via the server BIOS). However, if you will use this controller with Windows or Linux, you must download and install additional drivers for those operating systems. See [Installing LSI MegaSR Drivers For Windows and Linux, page C-15](#).

## Installing a SATA Interposer Board For Front-Facing Drive Control

The Embedded RAID controller requires a SATA interposer board for front-facing drive control. The RAID cables included connect from this board to the eight-drive, direct-connect backplane.

To install a SATA interposer board, see [Replacing a SATA Interposer Board, page 3-34](#).

## Installing a Software RAID 5 Key Module for Embedded RAID 5 Support

The software RAID 5 key module contains a chip on a small circuit board. This module attaches to a two-pin motherboard header. This chip upgrades support to add embedded SATA RAID 5 support for front-facing drive control.

To install a RAID 5 key module, see [Replacing a Software RAID 5 Key Module, page 3-42](#).



## Enabling the Embedded RAID Controller in the BIOS

**Note**

The default setting in the BIOS for the embedded controller is disabled.

When you enable this controller, both the primary (SATA) and secondary (sSATA) controllers are enabled.

## Enabling SATA Mode and Selecting Option ROM Mode

- Step 1** Set the SATA mode for managing the two boot drives:
- Boot the server and press **F2** when prompted to enter the BIOS Setup utility.
  - Choose the **Advanced** tab, and then choose **LOM and PCIe Slots Configuration**.
  - Select **PCH SATA Mode** and then choose one of the options from the dialog:
    - AHCI—Advanced host controller interface. You can manage the internal SSD boot drives by using your operating system's storage management feature.
    - Disabled—The embedded RAID controller is disabled.
    - LSI SW RAID—In supported server versions, you can manage the internal SSD boot drives or the front-facing drives by using the server's embedded SATA RAID controller. For support by server version, see [Support Matrix For Cisco UCS C240 M4 Server RAID Controllers, page C-4](#).

**Note**

Before you change from LSI SW RAID mode to AHCI mode, delete all the RAID volumes configured in the connected physical drives.

- If you selected LSI SW RAID mode and you want to set the option ROM mode, continue with the next step. If not, skip to [Step 3](#).

**Note**

There is no option ROM mode in AHCI SATA mode.

- Step 2** Optional: Set the SATA option ROM mode for the two boot drives (only with LSI SW RAID SATA mode):
- Choose the **Advanced** tab, and then choose **LOM and PCIe Slots Configuration**.
  - Select **PCH SATA OPROM Mode** and then choose one of the options from the dialog:
    - Enabled—You can boot from these boot drives. You can use the UEFI management interface or the free-standing legacy management utility.
    - Disabled—You cannot boot from these boot drives.
    - UEFI Only—Select this to enable booting but manage RAID only by using the UEFI version of the LSI utility that is built into the server BIOS. See [Launching the LSI Embedded MegaRAID Configuration Utilities, page C-14](#).
    - Legacy Only—Select this enable booting but manage RAID only by using the free-standing version of the LSI utility. See [Launching the LSI Embedded MegaRAID Configuration Utilities, page C-14](#).
- Step 3** Press **F10** to save your changes and exit the utility.

## Disabling the Embedded RAID Controller in the BIOS

- 
- Step 1** Boot the server and press **F2** when prompted to enter the BIOS Setup Utility.
- Step 2** Select the **Advanced** tab, and then select **LOM and PCIe Slots Configuration**.
- Step 3** Set PCH SATA Mode to **Disabled**.
- Step 4** Press **F10** to save your changes and exit the utility.
- 

## Launching the LSI Embedded MegaRAID Configuration Utilities

You can use one of the two LSI utilities:

- Launch the legacy free-standing utility by pressing **Ctrl+M** when you see the prompt during system boot.
- Launch the UEFI version of the LSI utility that is built into the server BIOS as follows:
  1. Press **F2** when you see the prompt during system boot to open the BIOS Setup Utility.
  2. Select the **Advanced** tab.
  3. Open the UEFI utility for the primary (SATA) or the secondary controller (sSATA) by selecting one of the following:
    - LSI SW RAID Configuration Utility (SATA)
    - LSI SW RAID Configuration Utility (sSATA)



---

**Note** The secondary SATA (sSATA) UEFI utility is activated only in a SFF 8-drive version of the server where it can be used to control front-facing drives 5–8. It is not used when controlling the internal boot drives in a SFF 24-drive or LFF 12-drive version of the server.

---



---

**Note** These UEFI options are activated only if you have already set the PCH SATA OPROM Mode to Enabled or UEFI Only. See [Enabling SATA Mode and Selecting Option ROM Mode, page C-13](#).

---

For information about using the Embedded MegaRAID software to configure your disk arrays, see the [LSI Embedded MegaRAID Software User Guide](#).

## Installing LSI MegaSR Drivers For Windows and Linux

**Note**

The required drivers for this controller are already installed and ready to use with the LSI software RAID Configuration Utility. However, if you will use this controller with Windows or Linux, you must download and install additional drivers for those operating systems.

This section explains how to install the LSI MegaSR drivers for the following supported operating systems:

- Microsoft Windows Server
- Red Hat Enterprise Linux (RHEL)
- SUSE Linux Enterprise Server (SLES)

For the specific supported OS versions, see the [Hardware and Software Interoperability Matrix](#) for your server release.

This section contains the following topics:

- [Downloading the LSI MegaSR Drivers, page C-15](#)
- [Microsoft Windows Driver Installation, page C-16](#)
- [Linux Driver Installation, page C-18](#)

### Downloading the LSI MegaSR Drivers

The MegaSR drivers are included in the C-Series driver ISO for your server and OS. Download the drivers from Cisco.com.

- Step 1** Find the drivers ISO file download for your server online and download it to a temporary location on your workstation:
- a. See the following URL: <http://www.cisco.com/cisco/software/navigator.html>
  - b. Click **Unified Computing and Servers** in the middle column.
  - c. Click **Cisco UCS C-Series Rack-Mount Standalone Server Software** in the right-hand column.
  - d. Click your model of server in the right-hand column.
  - e. Click **Unified Computing System (UCS) Drivers**.
  - f. Click the release number that you are downloading.
  - g. Click **Download** to download the drivers' ISO file.
  - h. Verify the information on the next page, and click **Proceed With Download**.
  - i. Continue through the subsequent screens to accept the license agreement and then browse to a location where you want to save the drivers' ISO file.

## Microsoft Windows Driver Installation

This section describes how to install the LSI MegaSR driver in a Windows installation.

This section contains the following topics:

- [Windows Server 2008R2 Driver Installation, page C-16](#)
- [Updating the Windows Driver, page C-17](#)
- [Linux Driver Installation, page C-18](#)

### Windows Server 2008R2 Driver Installation

The Windows operating system automatically adds the driver to the registry and copies the driver to the appropriate directory.

- 
- Step 1** Create a RAID drive group using the LSI Software RAID Configuration Utility before you install this driver for Windows. Launch this utility by pressing **Ctrl-M** when `LSI SWRAID` is shown during the BIOS POST.
- Step 2** Download the Cisco UCS C-Series drivers' ISO, as described in [Downloading the LSI MegaSR Drivers, page C-15](#).
- Step 3** Prepare the drivers on a USB thumb drive:
- a. Burn the ISO image to a disk.
  - b. Browse the contents of the drivers folders to the location of the embedded MegaRAID drivers:  
`<OS>/Storage/Intel/C600/`
  - c. Expand the Zip file, which contains the folder with the MegaSR driver files.
  - d. Copy the expanded folder to a USB thumb drive.
- Step 4** Start the Windows driver installation using one of the following methods:
- To install from local media, connect an external USB DVD drive to the server and then insert the first Windows installation disk into the drive. Skip to [Step 6](#).
  - To install from remote ISO, log in to the server's Cisco IMC interface and continue with the next step.
- Step 5** Launch a Virtual KVM console window and click the **Virtual Media** tab.
- a. Click **Add Image** and browse to select your remote Windows installation ISO file.
  - b. Check the check box in the Mapped column for the media that you just added, and then wait for mapping to complete.
- Step 6** Power cycle the server.
- Step 7** Press **F6** when you see the F6 prompt during bootup. The Boot Menu window opens.
- Step 8** On the Boot Manager window, choose the physical disk or virtual DVD and press **Enter**. The Windows installation begins when the image is booted.
- Step 9** Press **Enter** when you see the prompt, "Press any key to boot from CD."
- Step 10** Observe the Windows installation process and respond to prompts in the wizard as required for your preferences and company standards.

- Step 11** When Windows prompts you with “Where do you want to install Windows,” install the drivers for embedded MegaRAID:
- a. Click **Load Driver**. You are prompted by a Load Driver dialog box to select the driver to be installed.
  - b. Connect the USB thumb drive that you prepared in [Step 3](#) to the target server.
  - c. On the Windows Load Driver dialog that you opened in Step a, click **Browse**.
  - d. Use the dialog box to browse to the location of the drivers folder on the USB thumb drive, and then click **OK**.  
  
Windows loads the drivers from the folder and when finished, the driver is listed under the prompt, “Select the driver to be installed.”
  - e. Click **Next** to install the drivers.
- 

### Updating the Windows Driver

---

- Step 1** Click **Start**, point to **Settings**, and then click **Control Panel**.
- Step 2** Double-click **System**, click the **Hardware** tab, and then click **Device Manager**. Device Manager starts.
- Step 3** In Device Manager, double-click **SCSI and RAID Controllers**, right-click the device for which you are installing the driver, and then click **Properties**.
- Step 4** On the Driver tab, click **Update Driver** to open the Update Device Driver wizard, and then follow the wizard instructions to update the driver.
-

## Linux Driver Installation

This section explains the steps to install the embedded MegaRAID device driver in a Red Hat Enterprise Linux installation or a SUSE Linux Enterprise Server installation.

This section contains the following topics:

- [Obtaining the Driver Image File, page C-18](#)
- [Preparing Physical Installation Disks For Linux, page C-18](#)
- [Installing the Red Hat Linux Driver, page C-20](#)
- [Installing the SUSE Linux Enterprise Server Driver, page C-21](#)

### Obtaining the Driver Image File

See [Downloading the LSI MegaSR Drivers, page C-15](#) for instructions on obtaining the drivers. The Linux driver is offered in the form of `dud-[driver version].img`, which is the boot image for the embedded MegaRAID stack.



**Note**

The LSI MegaSR drivers that Cisco provides for Red Hat Linux and SUSE Linux are for the original GA versions of those distributions. The drivers do not support updates to those OS kernels.

### Preparing Physical Installation Disks For Linux

This section describes how to prepare physical Linux installation disks from the driver image files, using either the Windows operating system or the Linux operating system.



**Note**

The driver image is too large for a floppy disk, so use a USB thumb drive instead.



**Note**

Alternatively, you can mount the `dud.img` file as a virtual floppy disk, as described in the installation procedures.

#### Preparing Physical Installation Disks with the Windows Operating System

Under Windows, you can use the RaWrite floppy image-writer utility to create disk images from image files.

- 
- Step 1** Download the Cisco UCS C-Series drivers ISO, as described in [Downloading the LSI MegaSR Drivers, page C-15](#) and save it to your Windows system that has a diskette drive.
- Step 2** Extract the `dud.img` file:
- a. Burn the ISO image to a disc.
  - b. Browse the contents of the drivers folders to the location of the embedded MegaRAID drivers:  
`/<OS>/Storage/Intel/C600/`
  - c. Expand the Zip file, which contains the folder with the driver files.
- Step 3** Copy the driver update disk image `dud-[driver version].img` and your file `raw write.exe` to a directory.




---

**Note** RaWrite is not included in the driver package.

---

- Step 4** If necessary, use this command to change the filename of the driver update disk to a name with fewer than eight characters: **copy dud-[driver version].img dud.img**
- Step 5** Open the DOS Command Prompt and navigate to the directory where raw write.exe is located.
- Step 6** Enter the following command to create the installation diskette: **raw write**
- Step 7** Press **Enter**.  
You are prompted to enter the name of the boot image file.
- Step 8** Enter: **dud.img**
- Step 9** Press **Enter**.  
You are prompted for the target disk.
- Step 10** Insert a floppy disk into the server and enter: **A:**
- Step 11** Press **Enter**.
- Step 12** Press **Enter** again to start copying the file to the diskette.
- Step 13** After the command prompt returns and the floppy disk drive LED goes out, remove the disk.
- Step 14** Label the diskette with the image name.
- 

### Preparing Installation Disks with a Linux Operating System

Under Red Hat Linux and SUSE Linux, you can use a driver disk utility to create disk images from image files.




---

**Note** The driver image is too large for a floppy disk, so use a USB thumb drive instead.

---

- Step 1** Download the Cisco UCS C-Series drivers ISO, as described in [Downloading the LSI MegaSR Drivers, page C-15](#) and save it to your Linux system that has a disk drive.
- Step 2** Extract the dud.img file:
- a. Burn the ISO image to a disc.
  - b. Browse the contents of the drivers folders to the location of the embedded MegaRAID drivers:  
/ <OS>/Storage/Intel/C600/
  - c. Expand the Zip file, which contains the folder with the driver files.
- Step 3** Copy the driver update disk image dud-[driver version].img to your Linux system.
- Step 4** Insert a blank USB thumb drive into a port on your Linux system.
- Step 5** Create a directory and mount the DUD image to that directory:  
**mkdir <destination\_folder>**  
**mount -o loop <driver\_image> <destination\_folder>**
- Step 6** Copy the contents in the directory to your USB thumb drive.
-

## Installing the Red Hat Linux Driver



**Note** This server supports Red Hat Linux 6.5 or later.

For the specific supported OS versions, see the [Hardware and Software Interoperability Matrix](#) for your server release.

This section describes the fresh installation of the Red Hat Enterprise Linux device driver on systems with the embedded MegaRAID stack.

- 
- Step 1** Create a RAID drive group using the LSI Software RAID Configuration utility before you install this driver for the OS. Launch this utility by pressing **Ctrl-M** when `LSI SWRAID` is shown during the BIOS POST.
- Step 2** Prepare the `dud.img` file using one of the following methods:
- To install from a physical disk: Use one of the procedures in [Preparing Physical Installation Disks For Linux, page C-18](#). Then return to [Step 4](#) of this procedure.
  - To install from a virtual floppy disk: Download and save the Cisco UCS C-Series drivers' ISO, as described in [Downloading the LSI MegaSR Drivers, page C-15](#). Then continue with the next step.
- Step 3** Extract the `dud.img` file:
- a. Burn the ISO image to a disc.
  - b. Browse the contents of the drivers folders to the location of the embedded MegaRAID drivers:  
`/<OS>/Storage/Intel/C600/`
  - c. Copy the `dud-<driver version>.img` file to a temporary location on your workstation.
- Step 4** Start the Linux driver installation using one of the following methods:
- To install from local media, connect an external USB DVD drive to the server and then insert the first RHEL installation disk into the drive. Then continue with [Step 6](#).
  - To install from remote ISO, log in to the server's Cisco IMC interface. Then continue with the next step.
- Step 5** Launch a Virtual KVM console window and click the **Virtual Media** tab.
- a. Click **Add Image** and browse to select your remote RHEL installation ISO file.
  - b. Click **Add Image** again and browse to select your `dud.img` file.
  - c. Check the check boxes in the Mapped column for the media that you just added, then wait for mapping to complete.
- Step 6** Power cycle the server.
- Step 7** Press **F6** when you see the F6 prompt during bootup. The Boot Menu window opens.
- Step 8** On the Boot Manager window, select the physical disk or virtual DVD and press **Enter**. The RHEL installation begins when the image is booted.



- Step 9** Enter one of the following commands at the boot prompt:
- For RHEL 6.x (32- and 64-bit), enter:  
**linux dd blacklist=isci blacklist=ahci nodmraid noprobe=<atadrive number>**
  - For RHEL 7.x (32- and 64-bit), enter:  
**linux dd modprobe.blacklist=ahci nodmraid**




---

**Note** The **noprobe** values depend on the number of drives. For example, to install RHEL 6.5 on a RAID 5 configuration with three drives, enter  
**Linux dd blacklist=isci blacklist=ahci nodmraid noprobe=ata1 noprobe=ata2**

---

- Step 10** Press **Enter**.  
The prompt asks whether you have a driver disk.
- Step 11** Use the arrow key to choose **Yes**, and then press **Enter**.
- Step 12** Choose **fd0** to indicate that you have a floppy disk with the driver on it.
- Step 13** Do one of the following actions:
- If you prepared the IMG file on a physical diskette in [Step 2](#), connect an external disk drive to the target server and then insert the disk in the A:/ drive and press **Enter**.
  - If you mapped the IMG file as a virtual floppy in [Step 5](#), choose the location of the virtual floppy.
- The installer locates and loads the driver for your device. The following message appears:  
Loading megasr driver...
- Step 14** Follow the Red Hat Linux installation procedure to complete the installation.
- Step 15** Reboot the system.
- 

## Installing the SUSE Linux Enterprise Server Driver

For the specific supported OS versions, see the [Hardware and Software Interoperability Matrix](#) for your server release.

This section describes the installation of the SUSE Linux Enterprise Server driver on a system with the embedded MegaRAID stack.

- 
- Step 1** Create a RAID drive group using the LSI SWRAID Configuration utility before you install this driver for the OS. Launch this utility by pressing **Ctrl+M** when `LSI SWRAID` is shown during the BIOS POST.
- Step 2** Prepare the dud.img file using one of the following methods:
- To install from a physical disk, use one of the procedures in [Preparing Physical Installation Disks For Linux](#), page C-18.  
Then return to [Step 4](#) of this procedure.
  - To install from a virtual floppy disk, download and save the Cisco UCS C-Series drivers' ISO, as described in [Downloading the LSI MegaSR Drivers](#), page C-15.  
Then continue with the next step.
- Step 3** Extract the dud.img file:
- a. Burn the ISO image to a disc.
  - b. Browse the contents of the drivers folders to the location of the embedded MegaRAID drivers:

/<OS>/Storage/Intel/C600/

- c. Copy the `dud-<driver version>.img` file to a temporary location on your workstation.

- Step 4** Start the Linux driver installation using one of the following methods:
- To install from local media, connect an external USB DVD drive to the server and then insert the first RHEL install disc into the drive. Skip to [Step 6](#).
  - To install from remote ISO, log in to the server's Cisco IMC interface and continue with the next step.
- Step 5** Launch a Virtual KVM console window and click the **Virtual Media** tab.
- a. Click **Add Image** and browse to select your remote RHEL installation ISO file.
  - b. Click **Add Image** again and browse to select your `dud.img` file.
  - c. Check the check box in the Mapped column for the media that you just added, and then wait for mapping to complete.
- Step 6** Power cycle the server.
- Step 7** Press **F6** when you see the F6 prompt during bootup. The Boot Menu window opens.
- Step 8** On the Boot Manager window, select the physical disk or virtual DVD and press **Enter**. The SLES installation begins when the image is booted.
- Step 9** When the first SLES screen appears, choose **Installation**.
- Step 10** Enter one of the following in the Boot Options field:
- For SLES 11 and SLES 11 SP1 (32- and 64-bit), enter: **brokenmodules=ahci**
  - For SLES 11 SP2 (32-and 64-bit), enter: **brokenmodules=ahci brokenmodules=iscsi**
  - For SLES 12, enter: **brokenmodules=ahci**
- Step 11** Press **F6** for the driver and choose **Yes**.
- Step 12** Do one of the following actions:
- If you prepared the IMG file on a physical disk in [Step 2](#), insert the USB thumb drive to the target server and then insert the disk in the A:/ drive and press **Enter**.
  - If you mapped the IMG file as a virtual floppy in [Step 5](#), choose the location of the virtual floppy. "Yes" appears under the F6 Driver heading.
- Step 13** Press **Enter** to choose Installation.
- Step 14** Press **OK**.
- The following message is displayed: `LSI Soft RAID Driver Updates added.`
- Step 15** At the menu, choose the driver update medium and press the **Back** button.
- Step 16** Continue and complete the installation process by following the prompts in the installation wizard.
-

# Restoring RAID Configuration After Replacing a RAID Controller

When you replace a RAID controller, the RAID configuration that is stored in the controller is lost. Use the following procedure to restore your RAID configuration to your new RAID controller.

- 
- Step 1** Replace your RAID controller. See [Replacing a PCIe Card, page 3-49](#).
- Step 2** If this was a full chassis swap, replace all drives into the drive bays, in the same order that they were installed in the old chassis.
- Step 3** Reboot the server and watch for the prompt to press F.



**Note** For newer RAID controllers, you are not prompted to press F. Instead, the RAID configuration is imported automatically. In this case, skip to [Step 6](#).

---

- Step 4** Press **F** when you see the following on-screen prompt:
- ```
Foreign configuration(s) found on adapter.  
Press any key to continue or 'C' load the configuration utility,  
or 'F' to import foreign configuration(s) and continue.
```
- Step 5** Press any key (other than C) to continue when you see the following on-screen prompt:
- ```
All of the disks from your previous configuration are gone. If this is  
an unexpected message, then please power of your system and check your cables  
to ensure all disks are present.  
Press any key to continue, or 'C' to load the configuration utility.
```
- Step 6** Watch the subsequent screens for confirmation that your RAID configuration was imported correctly.
- If you see the following message, your configuration was successfully imported. The LSI virtual drive is also listed among the storage devices.  

```
N Virtual Drive(s) found on host adapter.
```
  - If you see the following message, your configuration was not imported. This situation can happen if you do not press F quickly enough when prompted. In this case, reboot the server and try the import operation again when you are prompted to press F.  

```
0 Virtual Drive(s) found on host adapter.
```
-

## For More Information

The LSI utilities have help documentation for more information about using the utilities.

For basic information about RAID and for using the utilities for the RAID controller cards that are supported in Cisco servers, see the [Cisco UCS Servers RAID Guide](#).

Full Avago Technologies/LSI documentation is also available:

- For hardware SAS MegaRAID—[Avago Technologies/LSI 12 Gb/s MegaRAID SAS Software User's Guide, Rev. F](#)
- For embedded software MegaRAID—[LSI Embedded MegaRAID Software User Guide](#)



# GPU Card Installation

This appendix contains the following topics:

- [Overview of Server Firmware Requirements, page D-1](#)
- [GPU Card Configuration Rules, page D-2](#)
- [Requirement For All Supported GPUs: Memory-Mapped I/O Greater than 4 GB, page D-3](#)
- [Replacing a GPU Card \(Less Than 300 W\), page D-4](#)
- [Installing an NVIDIA K80 GPU Card and 300 W GPU Conversion Kit, page D-6](#)
- [Installing a Tesla M60 GPU Card and 300 W GPU Conversion Kit, page D-13](#)
- [Installing Drivers to Support the NVIDIA GPU Cards, page D-31](#)

## Overview of Server Firmware Requirements

[Table D-1](#) lists the minimum server firmware versions for the supported GPU cards.

| GPU               | Cisco IMC/BIOS Minimum Version |
|-------------------|--------------------------------|
| NVIDIA GRID K1    | 2.0(3a)                        |
| NVIDIA GRID K2    | 2.0(3a)                        |
| NVIDIA Tesla K10  | 2.0(3e)                        |
| NVIDIA Tesla K20  | 2.0(3e)                        |
| NVIDIA Tesla K20X | 2.0(3e)                        |
| NVIDIA Tesla K40  | 2.0(3a)                        |
| NVIDIA Tesla K80  | 2.0(6)                         |
| NVIDIA Tesla M60  | 2.0(9)                         |

## GPU Card Configuration Rules

The rules for configuring the server with GPUs differ, depending on the server version and other factors. Observe the following rules when populating GPUs in the server:

- All GPU cards require two CPUs and two minimum 1400 W power supplies in the server.
- For riser 1, use version 1A (slot 2) for GPU cards. This server can be ordered with one of three PCIe riser 1 versions. GPU cards are not supported in version 1B (UCSC-PCI-1B-240M4) or 1C (UCSC-PCI-1C-240M4).
- GPU cards are also supported in PCIe riser 2, slot 5.



### Caution

**Cisco C240 M4 LFF and C240 M4 SFF 24-drive servers only:** When using NVIDIA GPU cards, you must preserve at least 10 mm of space between servers to ensure adequate air flow. When using GPU cards with this version of the server, the operating temperature range is 32° to 95° F (0° to 35° C).

- Mixing rules:
  - You can mix GRID K1 and K2 GPU cards in the same server.
  - Do not mix GRID GPU cards with Tesla GPU cards in the same server.
  - Do not mix different models of Tesla GPU cards in the same server.
- NVIDIA GPUs can support only less-than 1 TB of memory in the server. Therefore, do not install more than fourteen 64-GB DIMMs when using an NVIDIA GPU card in this server.
- [Table D-2](#) shows the rules for populating GPU cards in the server.

**Table D-2** *NVIDIA GPU Population Rules*

| Single GPU Other Than K80 or M60          | Single K80 or M60 GPU | Dual GPUs (All)                            |
|-------------------------------------------|-----------------------|--------------------------------------------|
| Riser 1A, slot 2<br>or<br>Riser 2, slot 5 | Riser 1A, slot 2      | Riser 1A, slot 2<br>and<br>Riser 2, slot 5 |



### Note

You can install a GPU card and a Cisco UCS VIC in the same riser. When you install a GPU card in slot 2, NCSI support in riser 1A automatically moves to slot 1. When you install a GPU card in slot 5, NCSI support in riser 2 automatically moves to slot 4.

## Requirement For All Supported GPUs: Memory-Mapped I/O Greater than 4 GB

All supported GPU cards require enablement of the BIOS setting that allows greater than 4 GB of memory-mapped I/O (MMIO).

### Standalone Server

If the server is used in standalone mode, this BIOS setting is enabled by default:

Advanced > PCI Configuration > Memory Mapped I/O Above 4 GB [**Enabled**]

If you need to change this from a different setting, enter the BIOS Setup Utility by pressing F2 when prompted during bootup.

### Cisco UCS Manager Controlled Server

If the server is integrated with Cisco UCS Manager and controlled by a service profile, this setting is not enabled by default in the service profile. You must enable it with a BIOS policy in your service profile.

- 
- Step 1** Refer to the Cisco UCS Manager configuration guide (GUI or CLI) for your release for instructions on configuring service profiles:  
[Cisco UCS Manager Configuration Guides](#)
- Step 2** Refer to the chapter on Configuring Server-Related Policies > Configuring BIOS Settings.
- Step 3** In the section of your profile for PCI Configuration BIOS Settings, set `Memory Mapped IO Above 4GB Config` to one of the following:
- **Enabled**—Maps I/O of 64-bit PCI devices to 64 GB or greater address space.
  - **Platform Default**—The policy uses the value for this attribute contained in the BIOS defaults for the server. Use this only if you know that the server BIOS is set to use the default enabled setting for this item.
- Step 4** Reboot the server.




---

**Note** Cisco UCS Manager pushes BIOS configuration changes through a BIOS policy or default BIOS settings to the Cisco Integrated Management Controller (CIMC) buffer. These changes remain in the buffer and do not take effect until the server is rebooted.

---

## Replacing a GPU Card (Less Than 300 W)

- Use this section to install or replace a GPU card that draws less than 300 W power. Use this section to install the following GPUs:
  - GRID K1
  - GRID K2
  - Tesla K10
  - Tesla K20
  - Tesla K20X
  - Tesla K40
- For the 300 W GPU cards (Tesla K80 and Tesla M60), see:
  - [Installing an NVIDIA K80 GPU Card and 300 W GPU Conversion Kit, page D-6](#)
  - [Installing a Tesla M60 GPU Card and 300 W GPU Conversion Kit, page D-13](#)

---

**Step 1** Shut down and power off the server as described in [Shutting Down and Powering Off the Server, page 3-9](#).

**Step 2** Slide the server out the front of the rack far enough so that you can remove the top cover. You might have to detach cables from the rear panel to provide clearance.




---

**Caution** If you cannot safely view and access the component, remove the server from the rack.

---

**Step 3** Remove the top cover as described in [Removing and Replacing the Server Top Cover, page 3-10](#).

**Step 4** Remove the PCIe risers and any existing GPU card:

- a. Lift straight up on both ends of the riser to disengage its circuit board from the socket on the motherboard. Set the riser on an antistatic mat.
- b. On the bottom of the riser, loosen the single thumbscrew that holds the securing plate. See [Figure 3-28](#).
- c. Swing open the securing plate and remove it from the riser to provide access.
- d. Swing open the card-tab retainer that secures the back-panel tab of the card (see [Figure 3-28](#)).
- e. Pull evenly on both ends of the GPU card to disengage it from the socket on the PCIe riser (or remove a blanking panel) and then set the card aside.




---

**Note** See [GPU Card Configuration Rules, page D-2](#) before you install the GPU cards to the risers. Slot population restrictions apply.

---

**Step 5** Install your first GPU card into PCIe slot 2 or slot 5. See [Figure 3-27](#) for the riser and slot locations.




---

**Note** GPU cards are not supported in PCIe riser 1 version 1B (UCSC-PCI-1B-240M4) or 1C (UCSC-PCI-1C-240M4). Use riser 1 version 1A (slot 2) or riser 2 (slot 5) for GPU cards.

---

- a. Align the GPU card with the socket on the riser, and then gently push the card's edge connector into the socket. Press evenly on both corners of the card to avoid damaging the connector.
- b. Connect the GPU card power cable into the GPU card and into the GPU POWER connector on the PCIe riser (see [Figure 3-28](#)).



- c. Return the securing plate to the riser. Insert the two hinge-tabs into the two slots on the riser, and then swing the securing plate closed.
- d. Tighten the single thumbscrew that holds the securing plate.
- e. Close the card-tab retainer (see [Figure 3-28](#)).
- f. Position the PCIe riser over its socket on the motherboard and over its alignment features in the chassis (see [Figure 3-26](#)).
- g. Carefully push down on both ends of the PCIe riser to fully engage its circuit board connector with the socket on the motherboard.

**Step 6** Replace the top cover.

**Step 7** Replace the server in the rack, replace cables, and then power on the server by pressing the **Power** button.

**Step 8** Continue with [Installing Drivers to Support the NVIDIA GPU Cards, page D-31](#).

---

## Installing an NVIDIA K80 GPU Card and 300 W GPU Conversion Kit

The NVIDIA K80 GPU card requires a special conversion kit for the Cisco UCS C240 M4 server.



**Caution**

Do not operate the C240 M4 server with the 300W GPU kit installed, but no GPU card installed. The kit has been designed to provide adequate airflow for cooling only when at least one GPU card is installed.

### 300 W GPU Card Conversion Kit

The contents of the conversion kit are as follows:

- Replacement fan-module fan cage
- CPU cleaning kit
- Low-profile CPU heatsinks (two)
- Replacement air baffle (includes base, bridge, and filler panel)
- NVIDIA K80 GPU card
- 300 W GPU card front support bracket
- 300 W GPU card straight power cable



**Note**

Your GPU card might be shipped with two power cables: a straight cable and a Y-cable. The straight cable is used for connecting power to the GPU card in this server; do not use the Y-cable, which is used for connecting the GPU card in external devices only.

### Installing the NVIDIA K80 GPU Card

- Step 1** Shut down and power off the server as described in [Shutting Down and Powering Off the Server, page 3-9](#).
- Step 2** Slide the server out the front of the rack far enough so that you can remove the top cover. You might have to detach cables from the rear panel to provide clearance.



**Caution**

If you cannot safely view and access the component, remove the server from the rack.

- Step 3** Remove the top cover as described in [Removing and Replacing the Server Top Cover, page 3-10](#).
- Step 4** If the server has a SuperCap power module (RAID battery unit) in the holder on the air baffle, disconnect the cable from the module and then remove it from the clips on the air baffle and set it aside ([Figure D-1](#)).
- Step 5** Remove the plastic air-baffle that covers the CPUs and DIMMs.
- Step 6** Remove the existing server fan cage (see [Figure D-1](#)):
  - a. Open the plastic locking-lever at each end of the existing fan cage to the upright 90-degree position.
  - b. Lift the existing fan cage with fan modules from the server. Set the fan cage with fan modules aside.
- Step 7** Install the new empty server fan cage from the conversion kit:
  - a. Open the plastic locking-lever at each end of the new fan cage to the upright 90-degree position.
  - b. Set the new fan cage into the guides on the chassis walls and then lower the cage evenly.
  - c. Close the plastic locking-lever at each end of the fan cage to the flat, locked position.

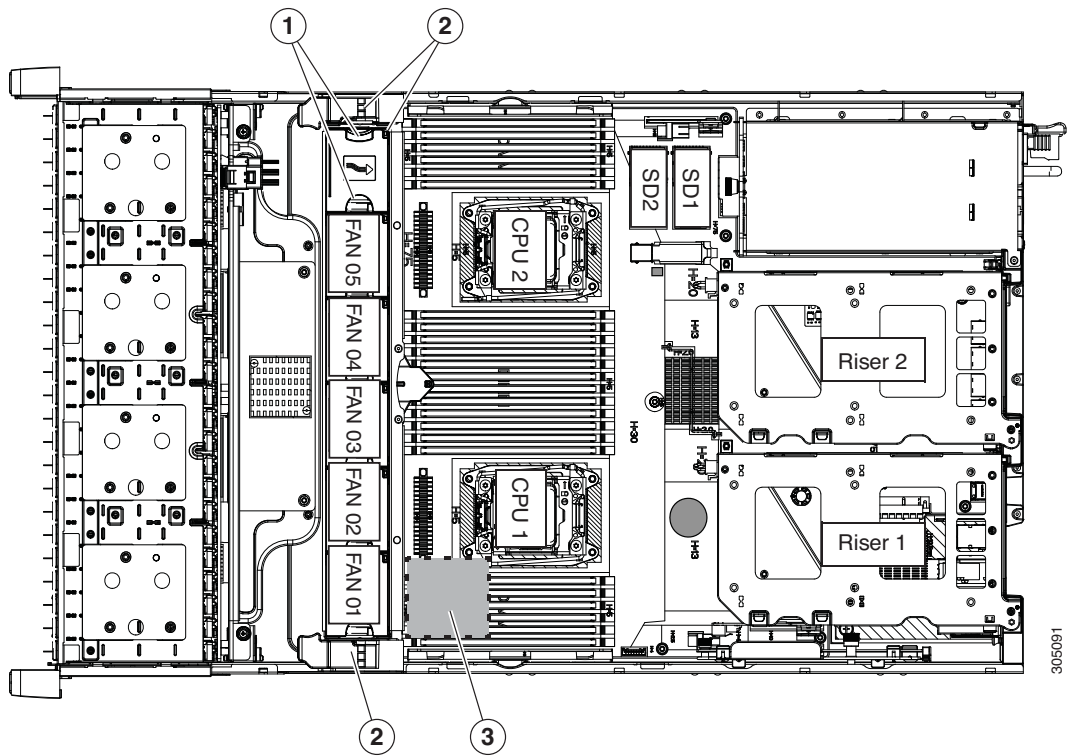
- Step 8** Move the six fan modules from the old fan cage to the new fan cage that you just installed:
- Pinch the two finger latches on each fan module together, then lift up on the module to remove it from the cage (see [Figure D-1](#)).
  - Set the fan module in an open slot in the new fan cage, aligning the connector on the bottom of the fan module with the connector on the motherboard.



**Note** The arrow label on the top of the fan module, which indicates the direction of airflow, should point toward the rear of the server.

- Press down gently on the fan module until the latch clicks and locks in place.
- Repeat until you have moved all fan modules into the new fan cage.

**Figure D-1 Fan Cage and Fan Modules**



|   |                                     |   |                                                                               |
|---|-------------------------------------|---|-------------------------------------------------------------------------------|
| 1 | Finger latches (on each fan module) | 3 | SuperCap power module position on removable air baffle (air baffle not shown) |
| 2 | Fan cage plastic locking-levers     |   |                                                                               |

- Step 9** Remove the existing heatsink from each CPU.
- Use a Number 2 Phillips-head screwdriver to loosen the four captive screws that secure the heatsink.



**Note** Alternate loosening each screw evenly to avoid damaging the heatsink or CPU.

- Lift the heatsink off of the CPU and set it aside.

- Step 10** Use the heatsink cleaning kit that comes with the conversion kit to clean the existing thermal grease from the top surface of each CPU.

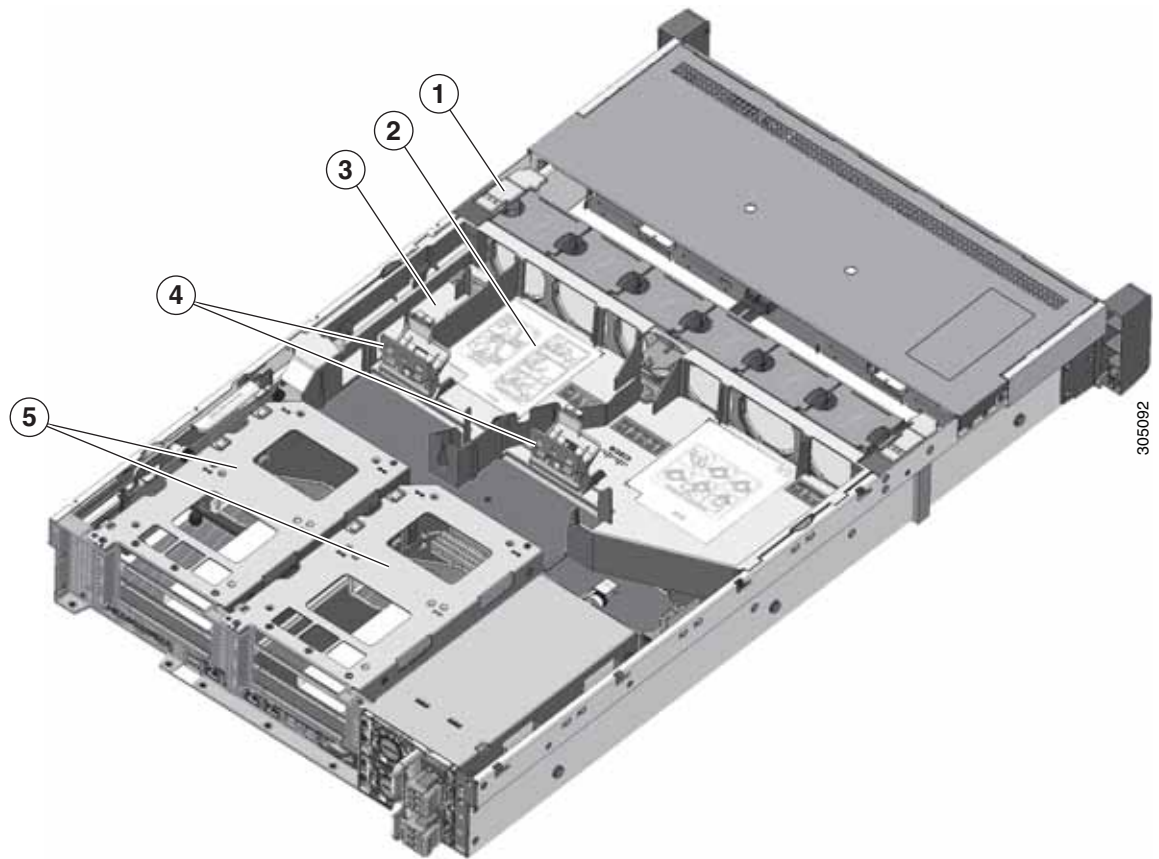
- Step 11** Install the low-profile replacement heatsinks that come with the conversion kit:
- Remove the protective tape from the pre-applied pad of thermal grease that is on the underside of the new heatsink.
  - Align the four heatsink captive screws with the motherboard standoffs, and then use a Number 2 Phillips-head screwdriver to tighten the captive screws evenly.



**Note** Alternate tightening each screw evenly to avoid damaging the heatsink or CPU.

- Step 12** Set the base of the replacement air baffle into the server (see [Figure D-2](#)).

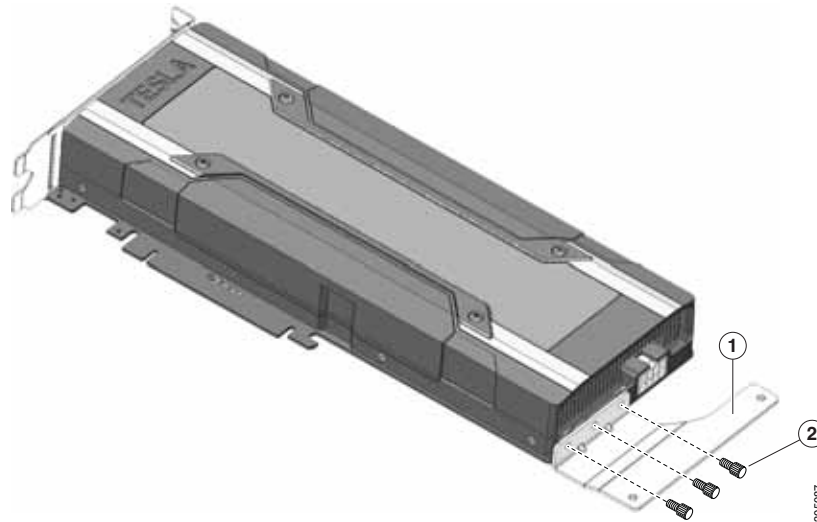
**Figure D-2** Air Baffle Base



|   |                                       |   |                                   |
|---|---------------------------------------|---|-----------------------------------|
| 1 | Fan cage                              | 4 | GPU front support bracket latches |
| 2 | Air baffle base                       | 5 | PCIe risers                       |
| 3 | Holder for RAID battery on air baffle |   |                                   |

- Step 13** Install the NVIDIA K80 GPU card front support bracket to the GPU card (see [Figure D-3](#)):
- Remove the three thumbscrews from the front end of the GPU card.
  - Set the three holes in the GPU card front support bracket over the three screw holes.
  - Insert and tighten the three thumbscrews into the three screw holes to secure the front bracket to the GPU card.

**Figure D-3** Front Support Bracket



|   |                       |   |                     |
|---|-----------------------|---|---------------------|
| 1 | Front support bracket | 2 | Thumbscrews (three) |
|---|-----------------------|---|---------------------|

- Step 14** Remove the PCIe riser from the server.



**Note** If you have only a single K80 GPU, it must be installed in PCIe riser 1A.

- Grasp the top of the riser and lift straight up on both ends to disengage its circuit board from the socket on the motherboard.
- Set the riser on an antistatic surface.
- On the bottom of the riser, loosen the single thumbscrew that holds the securing plate (see [Figure 3-28](#)).
- Swing open the securing plate and remove it from the riser to provide access.
- Swing open the card-tab retainer (see [Figure 3-28](#)).

- Step 15** Install your first K80 GPU card into PCIe riser 1A, slot 2. See [Figure 3-27](#) for the riser and slot locations.



**Note** Observe the populations rules in [GPU Card Configuration Rules, page D-2](#). Use riser 1 version 1A (UCSC-PCI-1A-240M4), slot 2 or riser 2 (slot 5) for GPU cards. GPU cards are *not* supported in PCIe riser 1 version 1B (UCSC-PCI-1B-240M4) or 1C (UCSC-PCI-1C-240M4).

- Align the GPU card with the socket on the riser, and then gently push the card's edge connector into the socket. Press evenly on both corners of the card to avoid damaging the connector.

- b. The straight-cable connectors are color-coded. Connect the GPU card power cable *black* connector into *black* connector on the GPU card and the *white* connector into the *white* GPU POWER connector on the PCIe riser (see [Figure 3-28](#)).

**Caution**

Do not reverse the GPU power cable. Connect the *black* connector on the cable to the *black* connector on the GPU card. Connect the *white* connector on the cable to the *white* connector on the PCIe riser.

**Note**

Your GPU card might be shipped with two power cables: a straight cable and a Y-cable. The straight cable is used for connecting power to the GPU card in this server; **do not use the Y-cable**, which is used for connecting the GPU card in external devices only.

- c. Close the card-tab retainer (see [Figure 3-28](#)).
- d. Return the securing plate to the riser. Insert the two hinge-tabs into the two slots on the riser, and then swing the securing plate closed.
- e. Tighten the single thumbscrew that holds the securing plate.

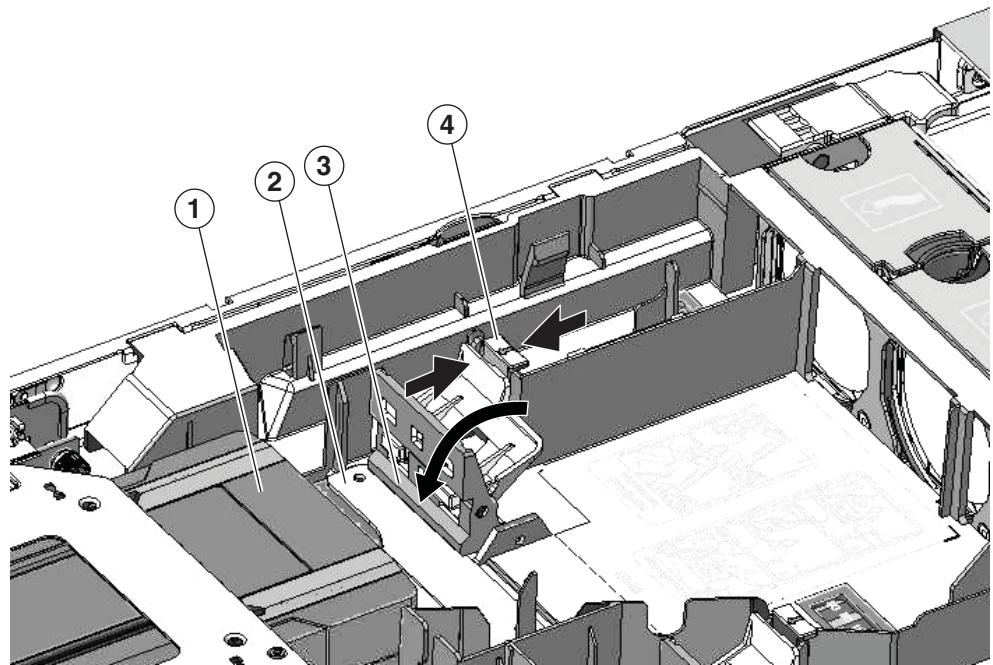
**Step 16** Install the PCIe riser with GPU card back into the server:

- a. Position the PCIe riser over its socket on the motherboard and over its alignment features in the chassis (see [Figure 3-26](#)).
- b. Carefully push down on both ends of the PCIe riser to fully engage its circuit board connector with the socket on the motherboard.

**Step 17** Insert the front support bracket that you installed to the card in [Step 13](#) into the latch that is on the air baffle base that you installed in [Step 12](#).

- a. Pinch the latch release tab (see [Figure D-4](#)) and hinge the latch toward the front of the server.
- b. Hinge the latch back down so that its lip closes over the front edge of the support bracket that is attached to the GPU card (see [Figure D-4](#)).
- c. Ensure that the latch release tab clicks and locks the latch in place.

Figure D-4 GPU Front Support Bracket Inserted to Air Baffle Latch



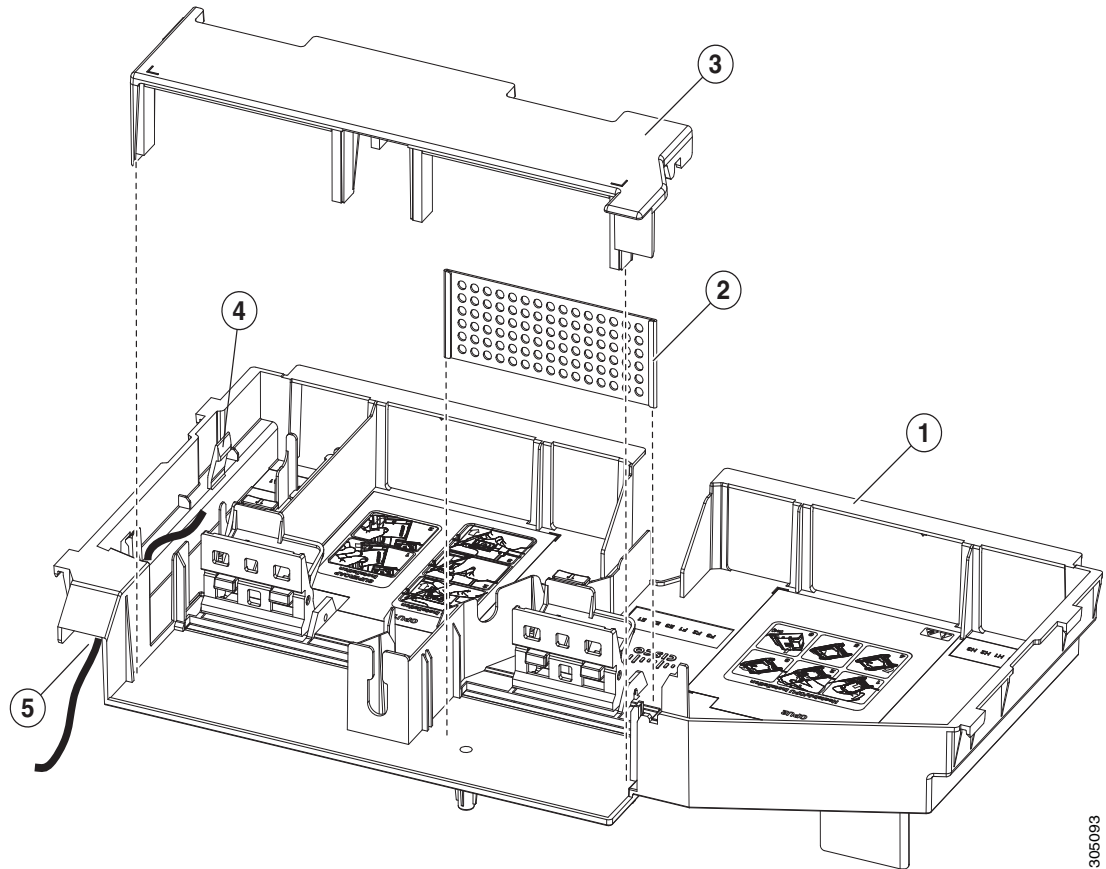
|   |                                       |   |                              |
|---|---------------------------------------|---|------------------------------|
| 1 | Front end of GPU                      | 3 | Lip on support bracket latch |
| 2 | Front support bracket attached to GPU | 4 | Latch release tab            |

**Note**

If your server has two GPUs, skip the following step. The filler panel shunts airflow to the PCIe riser in which a GPU is installed. A system with two GPUs does not use the filler.

- Step 18** If your system has only a single K80 GPU, install the filler panel to the air baffle base in slot 2 as shown in [Figure D-5](#). Slide the filler panel edges into the slots as shown.

Figure D-5 Air Baffle Filler Panel and Bridge



305093

|   |                 |   |                                                                                       |
|---|-----------------|---|---------------------------------------------------------------------------------------|
| 1 | Air baffle base | 4 | Holding clip for SuperCap module (RAID battery)                                       |
| 2 | Filler panel    | 5 | Path for SuperCap module cable through air baffle opening (SuperCap module not shown) |
| 3 | Bridge          |   |                                                                                       |

- Step 19** Install the bridge to the air baffle. Ridges on the bridge legs slide into slots on the air baffle base (see [Figure D-5](#)).
- Step 20** If the server has a SuperCap power module (RAID battery unit), install it to the holding clip on the new air baffle (see [Figure D-5](#)).
- Set the module into the clips and gently press down until the clip closes over the module.
  - Route the module's cable through the opening in the air baffle (see [Figure D-5](#)) so that it does not interfere with the server top cover.
- Step 21** Replace the top cover to the server.
- Step 22** Replace the server in the rack, replace cables, and then power on the server by pressing the **Power** button.
- Step 23** Continue with [Installing Drivers to Support the NVIDIA GPU Cards](#), page D-31.



# Installing a Tesla M60 GPU Card and 300 W GPU Conversion Kit

## Installation Overview

When installing an NVIDIA M60 GPU and the GRID software, use the topics in this section in the following order:

1. Install the hardware.
  - [Installing the NVIDIA M60 Hardware, page D-13](#)
2. Register your product activation keys with NVIDIA.
  - [NVIDIA GRID License Server Overview, page D-21](#)
  - [Registering Your Product Activation Keys With NVIDIA, page D-22](#)
3. Download the GRID software suite.
  - [Downloading the GRID Software Suite, page D-22](#)
4. Install the GRID License Server software to a host.
  - [Installing NVIDIA GRID License Server Software, page D-23](#)
5. Generate licenses on the NVIDIA Licensing Portal and download them.
  - [Installing GRID Licenses From the NVIDIA Licensing Portal to the License Server, page D-25](#)
6. Manage your GRID licenses.
  - [Managing GRID Licenses, page D-27](#)
7. Decide whether to use the GPU in compute mode or graphics mode.
  - [Switching Between Compute Mode and Graphics Mode, page D-29](#)

## Installing the NVIDIA M60 Hardware

The NVIDIA Tesla M60 GPU requires a hardware conversion kit for the Cisco UCS C240 M4 server.

### 300 W GPU Card Conversion Kit



#### Caution

Do not operate the C240 M4 server with the 300W GPU kit installed, but no GPU card installed. The kit has been designed to provide adequate airflow for cooling only when at least one GPU card is installed.

The contents of the conversion kit are as follows:

- Replacement fan-module fan cage
- CPU cleaning kit
- Low-profile CPU heatsinks (two)
- Replacement air baffle (includes base, bridge, and filler panel)
- NVIDIA M60 GPU card
- 300 W GPU card front support bracket
- 300 W GPU card straight power cable

**Note**

Your GPU card might be shipped with two power cables: a straight cable and a Y-cable. The straight cable is used for connecting power to the GPU card in this server; do not use the Y-cable, which is used for connecting the GPU card in external devices only.

## Installing the NVIDIA M60 GPU Card

- Step 1** Shut down and power off the server as described in [Shutting Down and Powering Off the Server](#), page 3-9.
- Step 2** Slide the server out the front of the rack far enough so that you can remove the top cover. You might have to detach cables from the rear panel to provide clearance.

**Caution**

If you cannot safely view and access the component, remove the server from the rack.

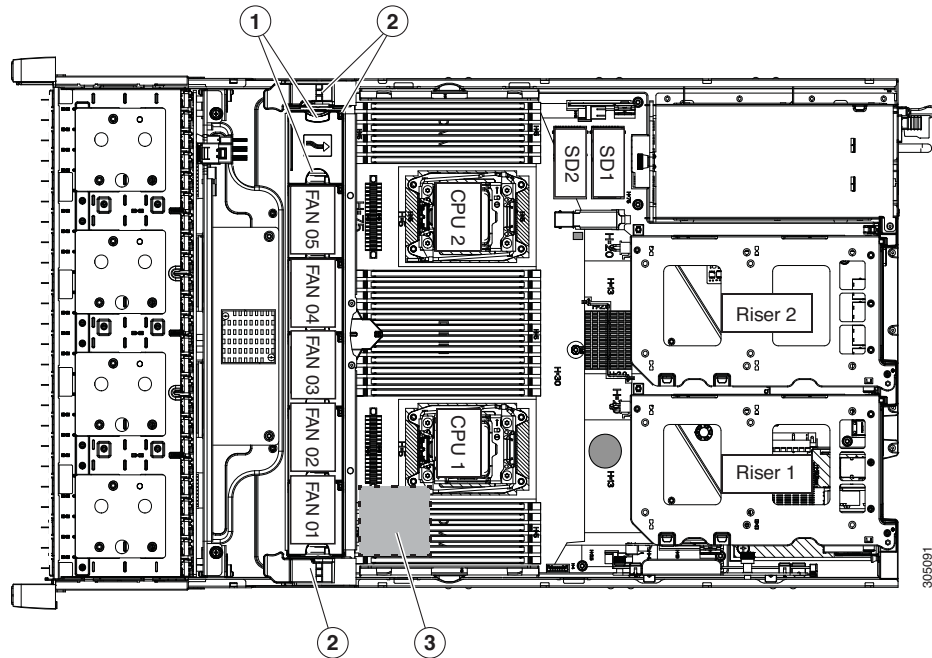
- Step 3** Remove the top cover as described in [Removing and Replacing the Server Top Cover](#), page 3-10.
- Step 4** If the server has a SuperCap power module (RAID battery unit) in the holder on the air baffle, disconnect the cable from the module and then remove it from the clips on the air baffle and set it aside ([Figure D-6](#)).
- Step 5** Remove the plastic air-baffle that covers the CPUs and DIMMs.
- Step 6** Remove the existing server fan cage (see [Figure D-6](#)):
- Open the plastic locking-lever at each end of the existing fan cage to the upright 90-degree position.
  - Lift the existing fan cage with fan modules from the server. Set the fan cage with fan modules aside.
- Step 7** Install the new empty server fan cage from the conversion kit:
- Open the plastic locking-lever at each end of the new fan cage to the upright 90-degree position.
  - Set the new fan cage into the guides on the chassis walls and then lower the cage evenly.
  - Close the plastic locking-lever at each end of the fan cage to the flat, locked position.
- Step 8** Move the six fan modules from the old fan cage to the new fan cage that you just installed:
- Pinch the two finger latches on each fan module together, then lift up on the module to remove it from the cage (see [Figure D-6](#)).
  - Set the fan module in an open slot in the new fan cage, aligning the connector on the bottom of the fan module with the connector on the motherboard.

**Note**

The arrow label on the top of the fan module, which indicates the direction of airflow, should point toward the rear of the server.

- Press down gently on the fan module until the latch clicks and locks in place.
- Repeat until you have moved all fan modules into the new fan cage.

Figure D-6 Fan Cage and Fan Modules



|   |                                     |   |                                                                               |
|---|-------------------------------------|---|-------------------------------------------------------------------------------|
| 1 | Finger latches (on each fan module) | 3 | SuperCap power module position on removable air baffle (air baffle not shown) |
| 2 | Fan cage plastic locking-levers     |   |                                                                               |

- Step 9** Remove the existing heatsink from each CPU.
- Use a Number 2 Phillips-head screwdriver to loosen the four captive screws that secure the heatsink.



**Note** Alternate loosening each screw evenly to avoid damaging the heatsink or CPU.

- Lift the heatsink off of the CPU and set it aside.

- Step 10** Use the heatsink cleaning kit that comes with the conversion kit to clean the existing thermal grease from the top surface of each CPU.

- Step 11** Install the low-profile replacement heatsinks that come with the conversion kit:

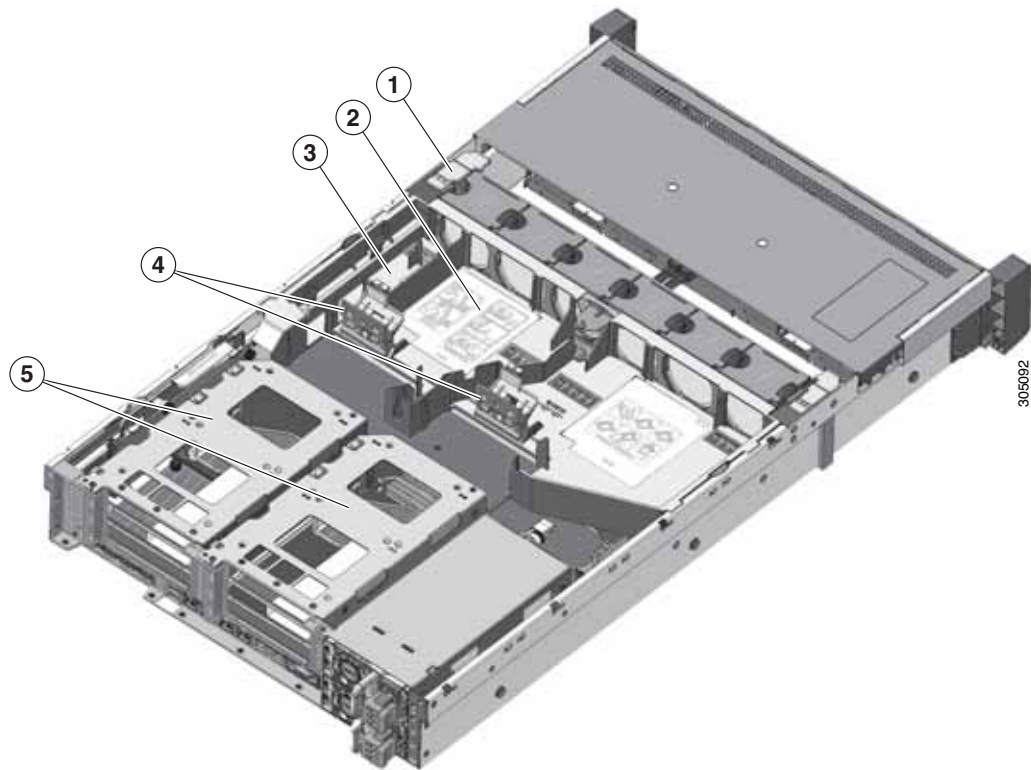
- Remove the protective tape from the pre-applied pad of thermal grease that is on the underside of the new heatsink.
- Align the four heatsink captive screws with the motherboard standoffs, and then use a Number 2 Phillips-head screwdriver to tighten the captive screws evenly.



**Note** Alternate tightening each screw evenly to avoid damaging the heatsink or CPU.

- Step 12** Set the base of the replacement air baffle into the server (see [Figure D-7](#)).

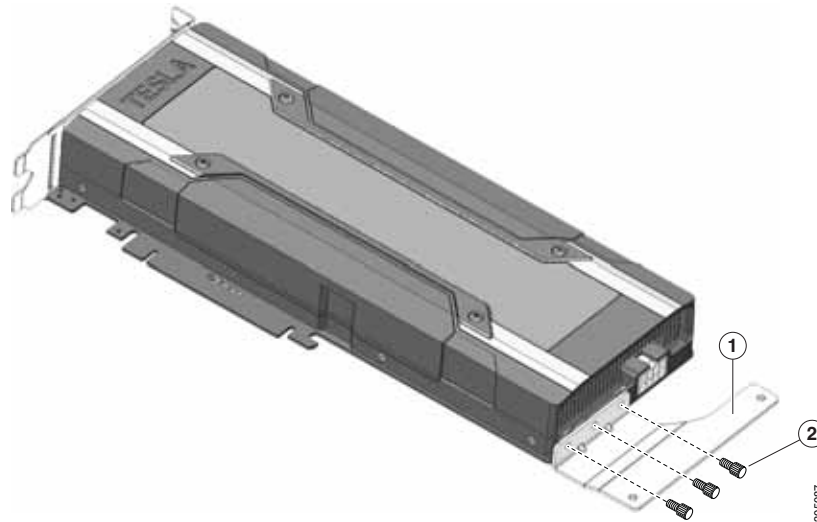
Figure D-7 Air Baffle Base



|   |                                       |   |                                   |
|---|---------------------------------------|---|-----------------------------------|
| 1 | Fan cage                              | 4 | GPU front support bracket latches |
| 2 | Air baffle base                       | 5 | PCIe risers                       |
| 3 | Holder for RAID battery on air baffle |   |                                   |

- Step 13** Install the NVIDIA M60 GPU card front support bracket to the GPU card (see [Figure D-8](#)):
- Remove the three thumbscrews from the front end of the GPU card.
  - Set the three holes in the GPU card front support bracket over the three screw holes.
  - Insert and tighten the three thumbscrews into the three screw holes to secure the front bracket to the GPU card.

**Figure D-8 Front Support Bracket**



|   |                       |   |                     |
|---|-----------------------|---|---------------------|
| 1 | Front support bracket | 2 | Thumbscrews (three) |
|---|-----------------------|---|---------------------|

- Step 14** Remove the PCIe riser from the server.



**Note** If you have only a single M60 GPU, it must be installed in PCIe riser 1A.

- Grasp the top of the riser and lift straight up on both ends to disengage its circuit board from the socket on the motherboard.
- Set the riser on an antistatic surface.
- On the bottom of the riser, loosen the single thumbscrew that holds the securing plate (see [Figure 3-28](#)).
- Swing open the securing plate and remove it from the riser to provide access.
- Swing open the card-tab retainer (see [Figure 3-28](#)).

- Step 15** Install your first M60 GPU card into PCIe riser 1A, slot 2. See [Figure 3-27](#) for the riser and slot locations.



**Note** Observe the populations rules in [GPU Card Configuration Rules, page D-2](#). Use riser 1 version 1A (UCSC-PCI-1A-240M4), slot 2 or riser 2 (slot 5) for GPU cards. GPU cards are *not* supported in PCIe riser 1 version 1B (UCSC-PCI-1B-240M4) or 1C (UCSC-PCI-1C-240M4).

- Align the GPU card with the socket on the riser, and then gently push the card's edge connector into the socket. Press evenly on both corners of the card to avoid damaging the connector.

- b. The straight-cable connectors are color-coded. Connect the GPU card power cable *black* connector into *black* connector on the GPU card and the *white* connector into the *white* GPU POWER connector on the PCIe riser (see [Figure 3-28](#)).

**Caution**

Do not reverse the GPU power cable. Connect the *black* connector on the cable to the *black* connector on the GPU card. Connect the *white* connector on the cable to the *white* connector on the PCIe riser.

**Note**

Your GPU card might be shipped with two power cables: a straight cable and a Y-cable. The straight cable is used for connecting power to the GPU card in this server; **do not use the Y-cable**, which is used for connecting the GPU card in external devices only.

- c. Close the card-tab retainer (see [Figure 3-28](#)).
- d. Return the securing plate to the riser. Insert the two hinge-tabs into the two slots on the riser, and then swing the securing plate closed.
- e. Tighten the single thumbscrew that holds the securing plate.

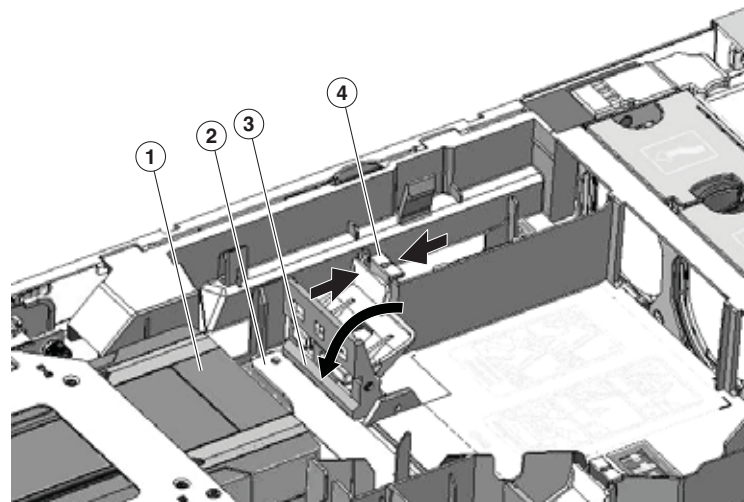
**Step 16** Install the PCIe riser with GPU card back into the server:

- a. Position the PCIe riser over its socket on the motherboard and over its alignment features in the chassis (see [Figure 3-26](#)).
- b. Carefully push down on both ends of the PCIe riser to fully engage its circuit board connector with the socket on the motherboard.

**Step 17** Insert the front support bracket that you installed to the card in [Step 13](#) into the latch that is on the air baffle base that you installed in [Step 12](#).

- a. Pinch the latch release tab (see [Figure D-4](#)) and hinge the latch toward the front of the server.
- b. Hinge the latch back down so that its lip closes over the front edge of the support bracket that is attached to the GPU card (see [Figure D-4](#)).
- c. Ensure that the latch release tab clicks and locks the latch in place.

**Figure D-9 GPU Front Support Bracket Inserted to Air Baffle Latch**



|   |                                       |   |                              |
|---|---------------------------------------|---|------------------------------|
| 1 | Front end of GPU                      | 3 | Lip on support bracket latch |
| 2 | Front support bracket attached to GPU | 4 | Latch release tab            |

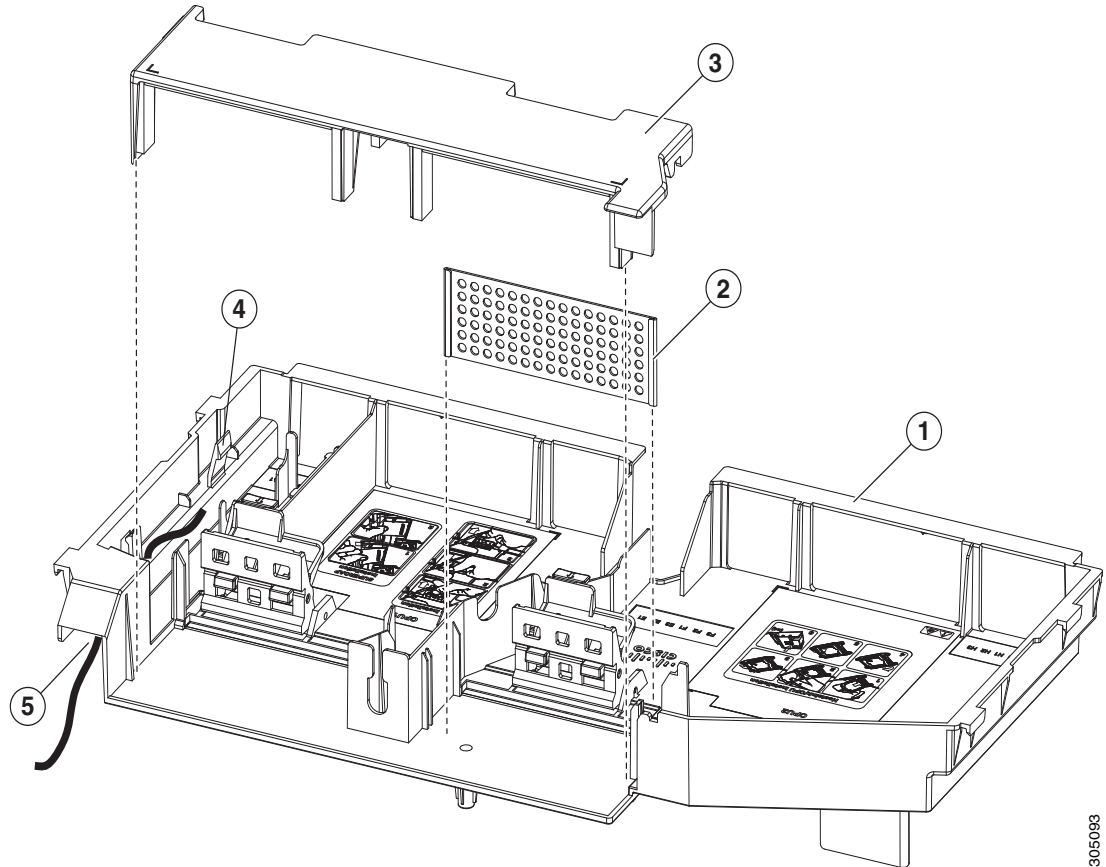


**Note**

If your server has two GPUs, skip the following step. The filler panel shunts airflow to the PCIe riser in which a GPU is installed. A system with two GPUs does not use the filler.

- Step 18** If your system has only a single M60 GPU, install the filler panel to the air baffle base in slot 2 as shown in [Figure D-5](#). Slide the filler panel edges into the slots as shown.

Figure D-10 Air Baffle Filler Panel and Bridge



305093

|   |                 |   |                                                                                       |
|---|-----------------|---|---------------------------------------------------------------------------------------|
| 1 | Air baffle base | 4 | Holding clip for SuperCap module (RAID battery)                                       |
| 2 | Filler panel    | 5 | Path for SuperCap module cable through air baffle opening (SuperCap module not shown) |
| 3 | Bridge          |   |                                                                                       |

- Step 19** Install the bridge to the air baffle. Ridges on the bridge legs slide into slots on the air baffle base (see [Figure D-5](#)).
- Step 20** If the server has a SuperCap power module (RAID battery unit), install it to the holding clip on the new air baffle (see [Figure D-5](#)).
- Set the module into the clips and gently press down until the clip closes over the module.
  - Route the module's cable through the opening in the air baffle (see [Figure D-5](#)) so that it does not interfere with the server top cover.
- Step 21** Replace the top cover to the server.
- Step 22** Replace the server in the rack, replace cables, and then power on the server by pressing the **Power** button.
- Step 23** Continue with [Installing Drivers to Support the NVIDIA GPU Cards, page D-31](#).

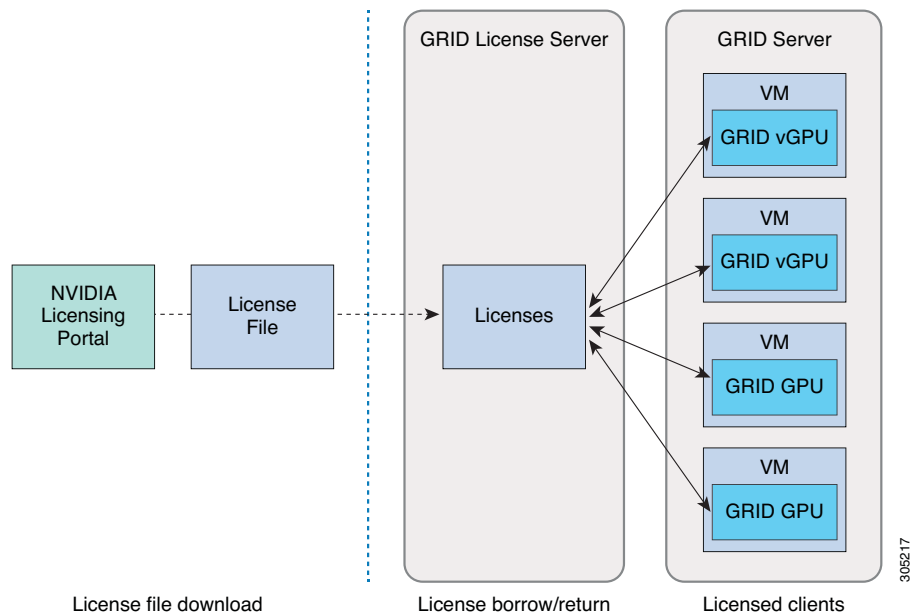


## NVIDIA GRID License Server Overview

The NVIDIA Tesla M60 GPU combines Tesla and GRID functionality when the licensed GRID features such as *GRID vGPU* and *GRID Virtual Workstation* are enabled. These features are enabled during OS boot by borrowing a software license that is served over the network from the NVIDIA GRID License Server virtual appliance. The license is returned to the license server when the OS shuts down.

You obtain the licenses that are served by the GRID License Server from NVIDIA’s Licensing Portal as downloadable license files, which you install into the GRID License Server via its management interface (see [Figure D-11](#)).

**Figure D-11** GRID Licensing Architecture



There are three editions of GRID licenses, which enable three different classes of GRID features. The GRID software automatically selects the license edition based on the features that you are using (see [Table D-3](#)).

**Table D-3** GRID Licensing Editions

| GRID License Edition                | GRID Features                                                                                                                                       |
|-------------------------------------|-----------------------------------------------------------------------------------------------------------------------------------------------------|
| GRID Virtual GPU (vGPU)             | <ul style="list-style-type: none"> <li>Virtual GPUs for business desktop computing</li> </ul>                                                       |
| GRID Virtual Workstation            | <ul style="list-style-type: none"> <li>Virtual GPUs for midrange workstation computing</li> </ul>                                                   |
| GRID Virtual Workstation – Extended | <ul style="list-style-type: none"> <li>Virtual GPUs for high-end workstation computing</li> <li>Workstation graphics on GPU pass-through</li> </ul> |

## Registering Your Product Activation Keys With NVIDIA

After your order is processed, NVIDIA sends you a Welcome email that contains your product activation keys (PAKs) and a list of the types and quantities of licenses that you purchased.

- 
- Step 1** Select the **Log In** link, or the **Register** link if you do not already have an account.  
The NVIDIA Software Licensing Center > License Key Registration dialog opens.
- Step 2** Complete the License Key Registration form and then click **Submit My Registration Information**.  
The NVIDIA Software Licensing Center > Product Information Software dialog opens.
- Step 3** If you have additional PAKs, click **Register Additional Keys**. For each additional key, complete the form on the License Key Registration dialog and then click **Submit My Registration Information**.
- Step 4** Agree to the terms and conditions and set a password when prompted.
- 

## Downloading the GRID Software Suite

- 
- Step 1** Return to the NVIDIA Software Licensing Center > Product Information Software dialog.
- Step 2** Click the **Current Releases** tab.
- Step 3** Click the **NVIDIA GRID** link to access the Product Download dialog. This dialog includes download links for:
- NVIDIA License Manager software
  - The gpumodeswitch utility
  - The host driver software
- Step 4** Use the links to download the software.
-

## Installing NVIDIA GRID License Server Software

For full installation instructions and troubleshooting, refer to the *NVIDIA GRID License Server User Guide*. Also refer to the *NVIDIA GRID License Server Release Notes* for the latest information about your release.

<http://www.nvidia.com>

### Platform Requirements for NVIDIA GRID License Server

- The hosting platform can be a physical or a virtual machine. NVIDIA recommends using a host that is dedicated only to running the License Server.
- The hosting platform must run a supported Windows OS.
- The hosting platform must have a constant IP address.
- The hosting platform must have at least one constant Ethernet MAC address.
- The hosting platform's date and time must be set accurately.

### Installing on Windows

The License Server requires a Java runtime environment and an Apache Tomcat installation. Apache Tomcat is installed when you use the NVIDIA installation wizard for Windows.

- 
- Step 1** Download and install the latest Java 32-bit runtime environment from <https://www.oracle.com/downloads/index.html>.




---

**Note** Install the 32-bit Java Runtime Environment, regardless of whether your platform is Windows 32-bit or 64-bit.

---

- Step 2** Create a server interface:
- On the NVIDIA Software Licensing Center dialog, click **Grid Licensing > Create License Server**.
  - On the Create Server dialog, fill in your desired server details.
  - Save the .bin file that is generated onto your license server for installation.
- Step 3** Unzip the NVIDIA License Server installer Zip file that you downloaded previously and run `setup.exe`.
- Step 4** Accept the EULA for the NVIDIA License Server software and the Apache Tomcat software. Tomcat is installed automatically during the License Server installation.
- Step 5** Use the installer wizard to step through the installation.




---

**Note** On the Choose Firewall Options dialog, select the ports to be opened in the firewall. NVIDIA recommends that you use the default setting, which opens port 7070 but leaves port 8080 closed.

---

- Step 6** Verify the installation. Open a web browser on the License Server host and connect to the URL <http://localhost:8080/licserver>. If the installation was successful, you see the NVIDIA License Client Manager interface.
-

## Installing on Linux

The License Server requires a Java runtime environment and an Apache Tomcat installation. You must install both separately before installing the License Server on Linux.

---

**Step 1** Verify that Java was installed with your Linux installation. Use the following command:

```
java -version
```

If no Java version is displayed, use your Linux package manager to install with the following command:

```
sudo yum install java
```

**Step 2** Use your Linux package manager to install the tomcat and tomcat-webapps packages.

a. Use the following command to install Tomcat:

```
sudo yum install java
```

b. Enable the Tomcat service for automatic startup on boot:

```
sudo systemctl enable tomcat.service
```

c. Start the Tomcat service:

```
sudo systemctl start tomcat.service
```

d. Verify that the Tomcat service is operational. Open a web browser on the License Server host and connect to the URL <http://localhost:8080>. If the installation was successful, you see the Tomcat webapp.

**Step 3** Install the License Server:

a. Unpack the License Server tar file using the following command:

```
tar xfz NVIDIA-linux-2015.09-0001.tgz
```

b. Run the unpacked setup binary as root:

```
sudo ./setup.bin
```

c. Accept the EULA and then continue with the installation wizard to finish the installation.




---

**Note** On the Choose Firewall Options dialog, select the ports to be opened in the firewall. NVIDIA recommends that you use the default setting, which opens port 7070 but leaves port 8080 closed.

---

**Step 4** Verify the installation. Open a web browser on the License Server host and connect to the URL <http://localhost:8080/licserver>. If the installation was successful, you see the NVIDIA License Client Manager interface.

---

## Installing GRID Licenses From the NVIDIA Licensing Portal to the License Server

### Accessing the GRID License Server Management Interface

Open a web browser on the License Server host and access the URL <http://localhost:8080/licserver>.  
If you configured the License Server host's firewall to permit remote access to the License Server, the management interface is accessible from remote machines at the URL <http://hostname:8080/licserver>.

### Reading Your License Server's MAC Address

Your License Server's Ethernet MAC address is used as an identifier when registering the License Server with NVIDIA's Licensing Portal.

- 
- Step 1** Access the GRID License Server Management Interface in a browser. See [Accessing the GRID License Server Management Interface, page D-25](#).
  - Step 2** In the left-side **License Server** panel, select **Configuration**. The **License Server Configuration** panel opens. Next to **Server host ID**, a pull-down menu lists the possible Ethernet MAC addresses.
  - Step 3** Select your License Server's MAC address from the **Server host ID** pull-down.



**Note** It is important to use the same Ethernet ID consistently to identify the server when generating licenses on NVIDIA's Licensing Portal. NVIDIA recommends that you select one entry for a primary, non-removable Ethernet interface on the platform.

---

### Installing Licenses From the Licensing Portal

- 
- Step 1** Access the GRID License Server Management Interface in a browser. See [Accessing the GRID License Server Management Interface, page D-25](#).
  - Step 2** In the left-side **License Server** panel, select **Configuration**. The **License Server Configuration** panel opens.
  - Step 3** Use the License Server Configuration menu to install the .bin file that you generated earlier.
    - a. Click **Choose File**.
    - b. Browse to the license .bin file that you want to install and click **Open**.
    - c. Click **Upload**.

The license file is installed on your License Server. When installation is complete, you see the confirmation message, "Successfully applied license file to license server."

---

## Viewing Available Licenses

Use the following procedure to view which licenses are installed and available, along with their properties.

- 
- Step 1** Access the GRID License Server Management Interface in a browser. See [Accessing the GRID License Server Management Interface, page D-25](#).
  - Step 2** In the left-side **License Server** panel, select **Licensed Feature Usage**.
  - Step 3** Click on a feature in the **Feature** column to see detailed information about the current usage of that feature.
- 

## Viewing Current License Usage

Use the following procedure to view information about which licenses are currently in-use and borrowed from the server.

- 
- Step 1** Access the GRID License Server Management Interface in a browser. See [Accessing the GRID License Server Management Interface, page D-25](#).
  - Step 2** In the left-side **License Server** panel, select **Licensed Clients**.
  - Step 3** To view detailed information about a single licensed client, click on its **Client ID** in the list.
-

## Managing GRID Licenses

Features that require GRID licensing run at reduced capability until a GRID license is acquired.

### Acquiring a GRID License on Windows

To acquire a GRID license on Windows, use the following procedure.

- 
- Step 1** Open the NVIDIA Control Panel using one of the following methods:
- Right-click on the Windows desktop and select NVIDIA Control Panel from the menu.
  - Open Windows Control Panel and double-click the NVIDIA Control Panel icon.
- Step 2** In the NVIDIA Control Panel left-pane under **Licensing**, select **Manage License**.
- The **Manage License** task pane opens and shows the current license edition being used. The GRID software automatically selects the license edition based on the features that you are using. The default is Tesla (unlicensed).
- Step 3** If you want to acquire a license for GRID Virtual Workstation, under License Edition, select **GRID Virtual Workstation**.
- Step 4** In the **License Server** field, enter the address of your local GRID License Server.
- The address can be a domain name or an IP address.
- Step 5** In the **Port Number** field, enter your port number or leave it set to the default used by the server, which is 7070.
- Step 6** Select **Apply**.
- The system requests the appropriate license edition from your configured License Server. After a license is successfully acquired, the features of that license edition are enabled.



---

**Note** After you configure licensing settings in the NVIDIA Control Panel, the settings persist across reboots.

---

## Acquiring a GRID License on Linux

To acquire a GRID license on Linux, use the following procedure.

- 
- Step 1** Edit the configuration file `/etc/nvidia/gridd.conf`:
- ```
sudo vi /etc/nvidia/gridd.conf
```
- Step 2** Edit the `ServerUrl` line with the address of your local GRID License Server.  
The address can be a domain name or an IP address. See the example file below.
- Step 3** Append the port number (default 7070) to the end of the address with a colon. See the example file below.
- Step 4** Edit the `FeatureType` line with the integer for the license type. See the example file below.
- GRID vGPU = 1
  - GRID Virtual Workstation = 2
- Step 5** Restart the `nvidia-gridd` service.
- ```
sudo service nvidia-gridd restart
```

The service automatically acquires the license edition that you specified in the `FeatureType` line. You can confirm this in `/var/log/messages`.




---

**Note** After you configure licensing settings in `gridd.conf`, the settings persist across reboots.

---

### Sample configuration file:

```
# /etc/nvidia/gridd.conf - Configuration file for NVIDIA Grid Daemon
# Description: Set License Server URL
# Data type: string
# Format: "<address>:<port>"
ServerUrl=10.31.20.45:7070

# Description: Set Feature to be enabled
# Data type: integer
# Possible values:
# 1 => for GRID vGPU
# 2 => for GRID Virtual Workstation
FeatureType=1
```

---



## Switching Between Compute Mode and Graphics Mode

### Overview of GPU Modes

The NVIDIA Tesla M60 GPU is shipped in compute mode, which is optimized for high-performance compute (HPC) applications. However, while compute mode is best for HPC usage, it can cause compatibility issues with OS and hypervisors if you use the GPU primarily as a graphics device.

The mode is determined at power-on, from settings stored in the GPU's non-volatile memory. You can use the command-line tool `gpumodeswitch` to toggle the GPU between compute mode and graphics mode. [Table D-4](#) and [Table D-5](#) compare the compute mode and graphic mode default settings.

**Table D-4** Compute Mode Default Settings

| Setting                                | Value         | Notes                                                                                           |
|----------------------------------------|---------------|-------------------------------------------------------------------------------------------------|
| Classcode                              | 3D Controller | This classcode tells the OS that the GPU is not intended for use as the primary display device. |
| Memory base address register (BAR)     | 8 GB          | A large BAR is exposed for direct access to the frame buffer from the CPU and PCIe devices.     |
| I/O base BAR                           | Disabled      | The GPU does not consume any legacy I/O resources when used as a non-display device.            |
| Error-correcting code (ECC) protection | Enabled       | ECC is enabled on the GPU frame buffer to protect against single- and multi-bit memory errors.  |

**Table D-5** Graphic Mode Default Settings

| Setting                                | Value          | Notes                                                                                         |
|----------------------------------------|----------------|-----------------------------------------------------------------------------------------------|
| Classcode                              | VGA Controller | This classcode tells the OS that the GPU can function as the primary display device.          |
| Memory base address register (BAR)     | 256 MB         | A smaller BAR is exposed for direct access to the frame buffer from the CPU and PCIe devices. |
| I/O base BAR                           | Enabled        | The GPU exposes an I/O BAR to claim the resources required to operate as a VGA controller.    |
| Error-correcting code (ECC) protection | Disabled       | ECC protection is disabled.                                                                   |

## Using gpumodeswitch

The command line utility `gpumodeswitch` can be run in the following environments:

- Windows 64-bit command prompt (requires administrator permissions)
- Linux 32/64-bit shell (including Citrix XenServer dom0) (requires root permissions)



---

**Note**

Consult NVIDIA product release notes for the latest information on compatibility with compute and graphic modes.

---

The `gpumodeswitch` utility supports the following commands:

- `--listgpumodes`

This command writes information to a log file named `listgpumodes.txt` in the current working directory.

- `--gpumode graphics`

Switches to graphics mode. Switches mode of all supported GPUs in the server unless you specify otherwise when prompted.

- `--gpumode compute`

Switches to compute mode. Switches mode of all supported GPUs in the server unless you specify otherwise when prompted.



---

**Note**

After you switch GPU mode, reboot the server to ensure that the modified resources of the GPU are correctly accounted for by any OS or hypervisor running on the server.

---

## Installing Drivers to Support the NVIDIA GPU Cards

After you install the hardware, you must update to the correct level of server BIOS and then install NVIDIA drivers and other software in this order:

- 1. [Updating the C240 M4 Server BIOS, page D-31](#)
- 2. [Updating the NVIDIA Drivers, page D-31](#)

### 1. Updating the C240 M4 Server BIOS

Install the latest Cisco UCS C240 M4 server BIOS by using the Host Upgrade Utility for the Cisco UCS C240 M4 server.




---

**Note** You must do this procedure before you update the NVIDIA drivers.

---

- Step 1** Navigate to the following URL: <http://www.cisco.com/cisco/software/navigator.html>.
  - Step 2** Click **Servers–Unified Computing** in the middle column.
  - Step 3** Click **Cisco UCS C-Series Rack-Mount Standalone Server Software** in the right-hand column.
  - Step 4** Click the name of your model of server in the right-hand column.
  - Step 5** Click **Unified Computing System (UCS) Server Firmware**.
  - Step 6** Click the release number.
  - Step 7** Click **Download Now** to download the ucs-server platform-huu-version\_number.iso file.
  - Step 8** Verify the information on the next page, and then click **Proceed With Download**.
  - Step 9** Continue through the subsequent screens to accept the license agreement and browse to a location where you want to save the file.
  - Step 10** Use the Host Upgrade Utility to update the server BIOS.
- The user guides for the Host Upgrade Utility are at [Utility User Guides](#).
- 

### 2. Updating the NVIDIA Drivers

After you update the server BIOS, you can install NVIDIA drivers to your hypervisor virtual machine.

- Step 1** Install your hypervisor software on a computer. Refer to your hypervisor documentation for the installation instructions.
  - Step 2** Create a virtual machine in your hypervisor. Refer to your hypervisor documentation for instructions.
  - Step 3** Install the NVIDIA drivers to the virtual machine. Download the drivers from <http://www.nvidia.com/Download/index.aspx>.
  - Step 4** Restart the server.
  - Step 5** Check that the virtual machine is able to recognize the NVIDIA card. In Windows, use the Device Manager and look under Display Adapters.
-

## For More Information

The LSI utilities have help documentation for more information about using the utilities.

For basic information about RAID and for using the utilities for the RAID controller cards that are supported in Cisco servers, see the [Cisco UCS Servers RAID Guide](#).

Full Avago Technologies/LSI documentation is also available:

- For hardware SAS MegaRAID—[Avago Technologies/LSI 12 Gb/s MegaRAID SAS Software User's Guide, Rev. F](#)
- For embedded software MegaRAID—[LSI Embedded MegaRAID Software User Guide](#)



## Installation for Cisco UCS Manager Integration

---

The Cisco UCS Manager integration instructions have been moved to the integration guides found here:  
[Cisco UCS C-Series Server Integration with UCS Manager Guides](#)

Refer to the guide that is for the version of Cisco UCS Manager that you are using.

Also refer to the release notes for Cisco UCS Manager software and C-Series software for any special considerations regarding integration in your release.

- [Cisco UCS Manager Release Notes](#)
- [Cisco C-Series Software Release Notes](#)

