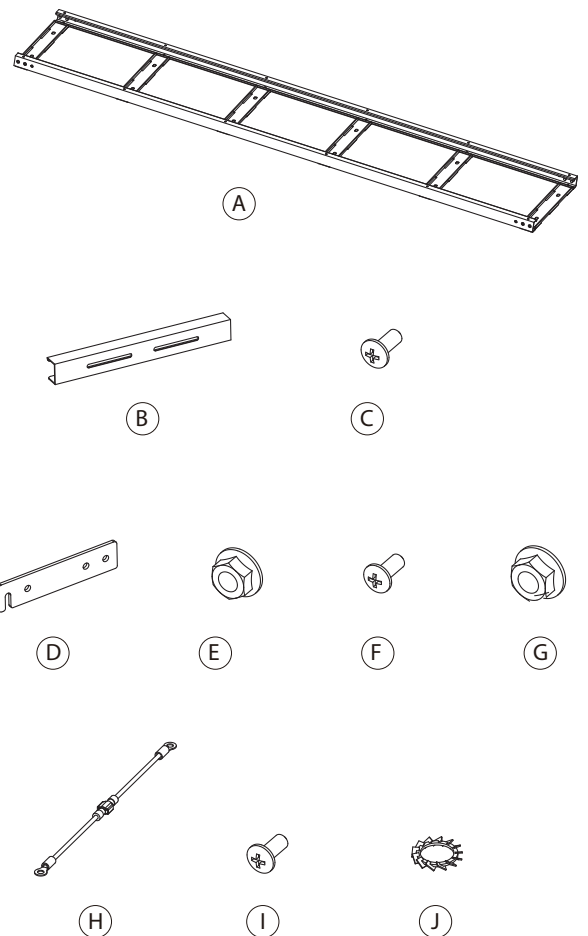


Cable Ladder Kit

CRA30008

Parts List

Item	Part	Qty
Ladder Components		
A	Ladder Section (5ft/1.5m)	2
Assembly Hardware		
B	Ladder Connector	2
C	M6 Phillips Pan Head Screw	4
Installation Hardware		
D	Hook Bracket	4
E	M5 Flange Nut	8
F	M6 Phillips Pan Head Screw	4
G	M6 Flange Nut	4
Grounding Hardware		
H	Grounding Wire	2
I	M6 Phillips Pan Head Screw	2
J	Toothed Lock Washer	2



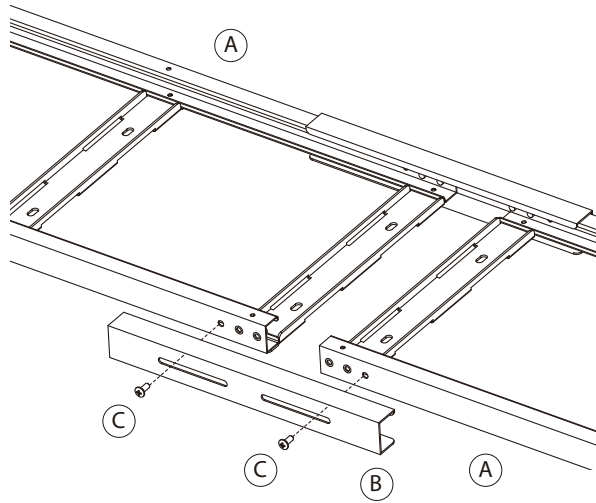
SAVE THESE INSTRUCTIONS

Please read this manual and follow the instructions for installation and use.

Assembly

The cable ladder includes 2 sections (A). Individual sections can be used alone (5ft/1.5m), or they can be tied together to form a longer cable ladder (10ft/3m).

To tie both sections together, use 4 x M6 screws (C) to bolt the ladder connectors (B) on to the ladder sections (A) as shown below.

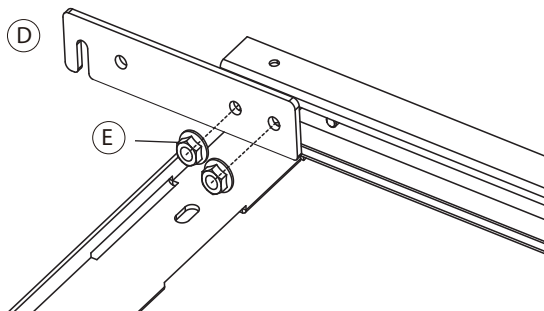


Installation

Rack Enclosure

A power cable trough (CRA30009) or a data cable partition (CRA30010) is required to be installed on a rack enclosure prior to the installation of the cable ladder. The cable ladder can be used to connect cable runs between rack aisles or within a rack row.

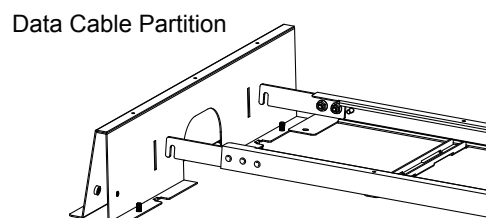
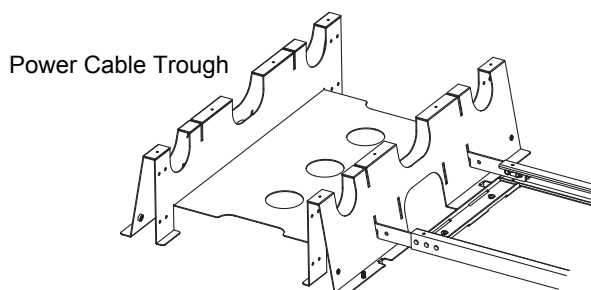
First, bolt the hook brackets (D) using the included M5 flange nuts (E) to the rivets on the cable ladder as shown below.



Installing Cable Ladder Across Rack Aisles

Insert the ladder hooks into the slots in the power cable trough or data cable partition as shown below.

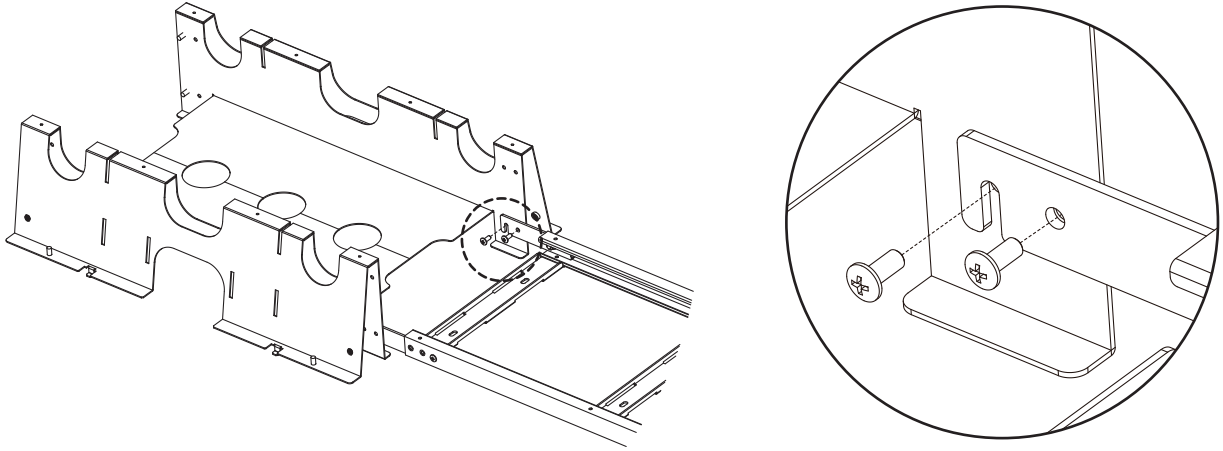
NOTE: The cable troughs have two sets of slots at different heights. Install the cable ladder using the slots best suited for your application.



Installing Cable Ladder Within Rack Row

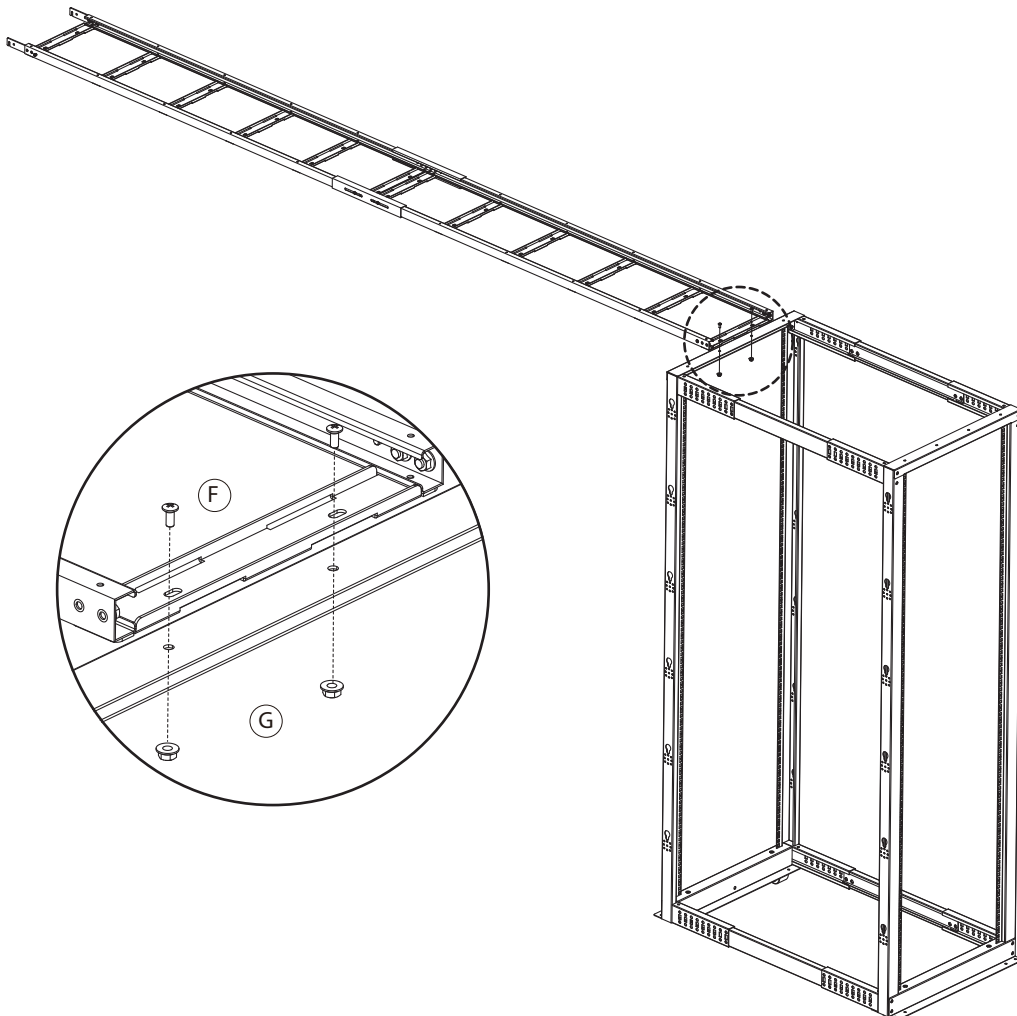
Screw the ladder hooks on to the power cable trough using the existing M6 screws as shown below.

NOTE: Cable ladder installation within a rack row can only be done with the use of power cable troughs (CRA30009).



Install on Open Frame Rack

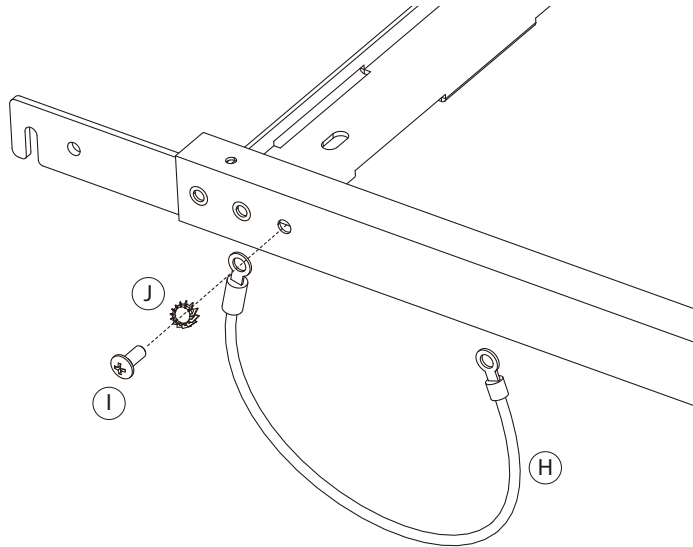
To install the cable ladder on an open frame rack, place one end of the ladder on top of the rack and use the M6 screws (F) with the M6 flange nuts (G) to secure the ladder as shown below.



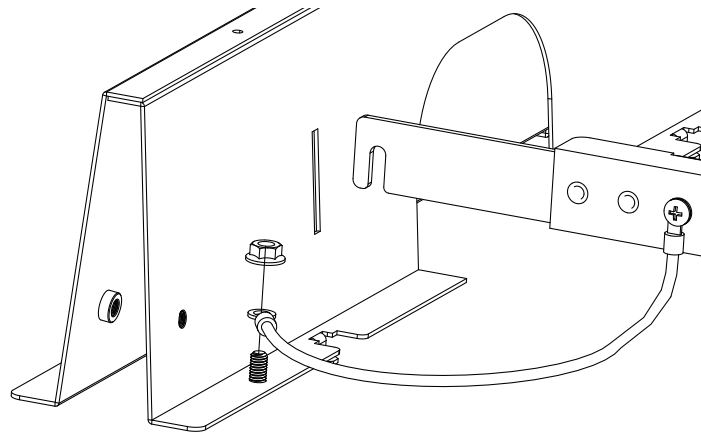
NOTE: For safety the cable ladder should always be installed between racks of the same height.

Ground Connection

1. To ground the cable ladder, screw the included grounding wire (H) using an M6 screw (I) and toothed lock washer (J) to the pre-installed rivet nut on the cable ladder as shown below.



2. Connect the other end of the grounding wire to the ground screw on the power cable trough or data cable partition. Secure the ground wire using the existing M6 flange nut as shown below.



CyberPower[®]

Cyber Power Systems, Inc.

www.cyberpower.com

For USA and Canada:

4241 12th Ave East, Suite 400

Shakopee, MN 55379

Toll-free: (877) 297-6937

For all other regions:

Please visit our website for local contact information.