



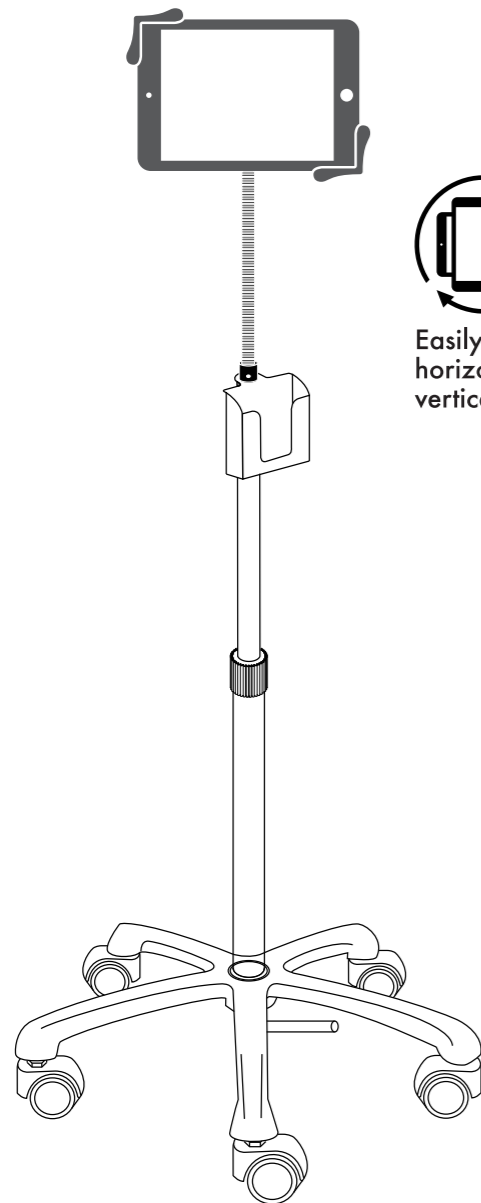
CTA DIGITAL

PAD-HFS

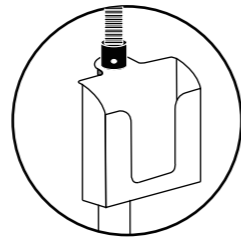
Heavy-Duty Gooseneck Floor Stand for 7-13 Inch Tablets

INSTRUCTION MANUAL

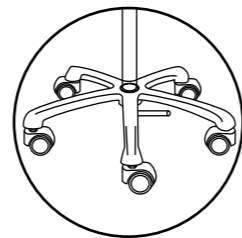
Thank you for choosing CTA Digital's product. We hope that you will enjoy using it. Please follow the guidelines and instructions as laid out in this instruction manual.



Easily adjusts for horizontal or vertical views



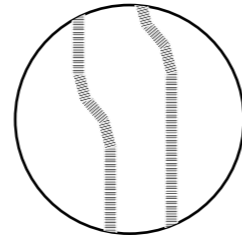
Attachable battery-pack cradle



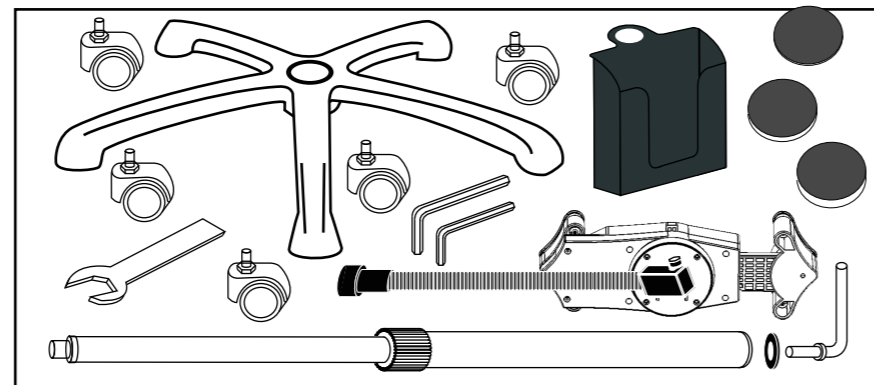
Attachable and detachable swivel casters



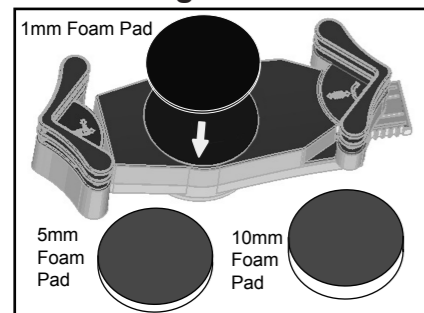
Adjustable holder for tablets 7 - 13 inches



Ultra-flexible and sturdy gooseneck



1. Attaching Foam Pad to Tablet Holder



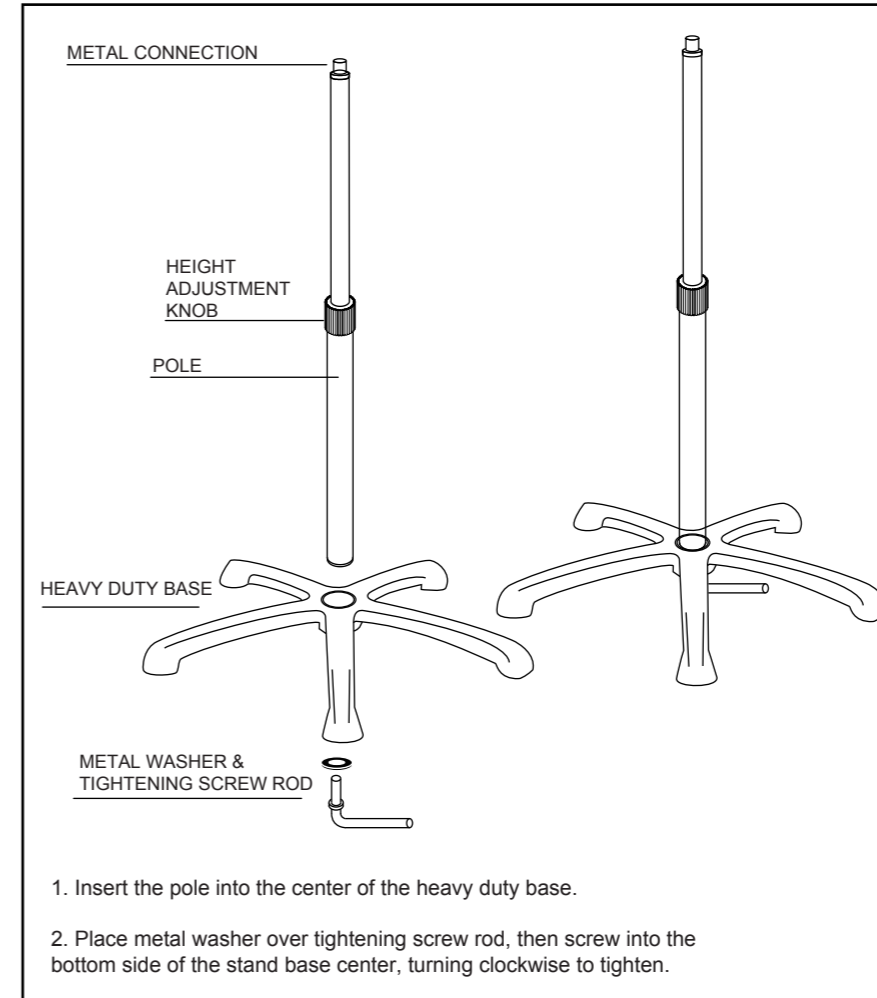
Select the appropriate foam pad according to the thickness of your tablet (or tablet in its case), then press adhesive side into center of the tablet holder.

Use this table to determine the appropriate foam pad to use with your tablet.

Note: sizes refer to total tablet size with or without a case.

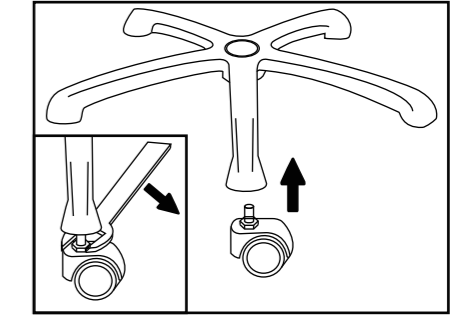
Foam Pad Thickness	Tablet Thickness:
1mm	0.67-1.06in / 17-27mm
5mm	0.51-0.91in / 13-23mm
10mm	0.31-0.71in / 8-18mm

Instructions: 2. Stand Assembly:



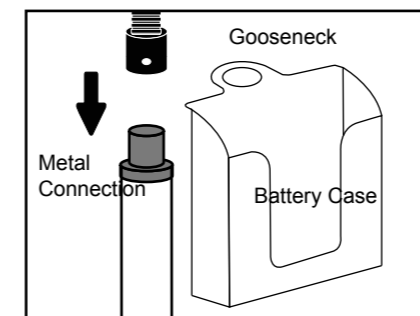
1. Insert the pole into the center of the heavy duty base.
2. Place metal washer over tightening screw rod, then screw into the bottom side of the stand base center, turning clockwise to tighten.

Attaching Wheels: Connect wheels to stand base before attaching pole.

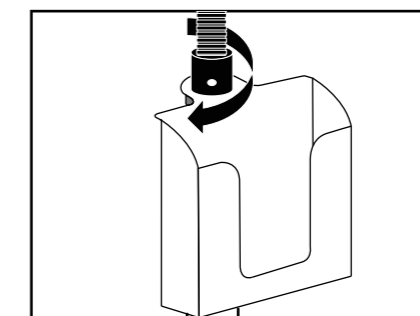


Screw wheels into floor base by hand, then use wrench to tighten.

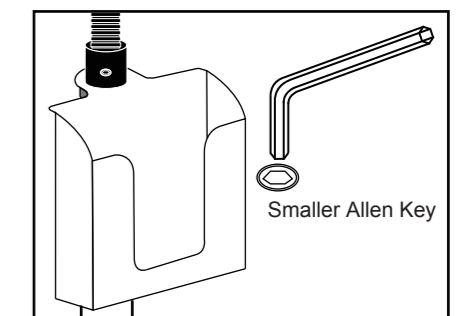
3. Connecting the Tablet gooseneck holder



1. Place battery pack cradle over top of the pole's metal connection.

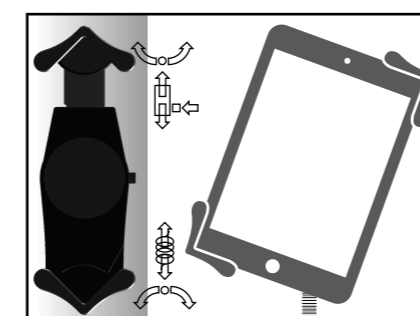


2. Place gooseneck over metal connection and turn clockwise to tighten.

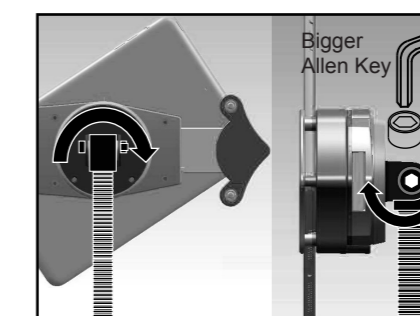


3. Use smaller Allen key to tighten the meter screw inside the gooseneck.
- Note: if meter screws are already in, unscrew before attaching gooseneck in step 2.*

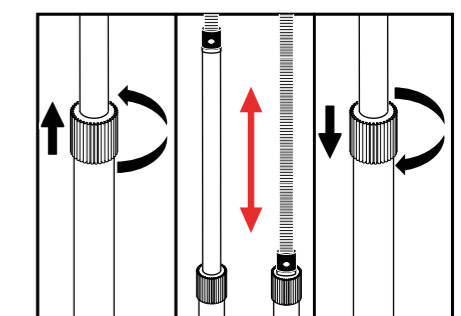
4. Installing your Device and Adjusting the Floor Stand:



1. Press the button on the side of the holder center to slide out holder arm. Insert your tablet against the spring end, then slide the other arm back in, closing firmly.



2. Tighten and loosen the gooseneck to holder connection screw to adjust ease of rotation.



3. Rotate plastic grip counter clockwise to loosen, then adjust pole to desired height. Rotate plastic grip clockwise to tighten.