



Xerox® VersaLink® B7025/B7030/B7035
Multifunction Printer
User Guide

© 2017 Xerox Corporation. All rights reserved. Unpublished rights reserved under the copyright laws of the United States. Contents of this publication may not be reproduced in any form without permission of Xerox Corporation.

Copyright protection claimed includes all forms of matters of copyrightable materials and information now allowed by statutory or judicial law or hereinafter granted, including without limitation, material generated from the software programs which are displayed on the screen such as styles, templates, icons, screen displays, looks, and so on.

Xerox® and Xerox and Design®, Phaser®, PhaserSMART®, PhaserMatch®, PhaserCal®, PhaserMeter™, CentreWare®, PagePack®, eClick®, PrintingScout®, Walk-Up®, WorkCentre®, FreeFlow®, SMARTsend®, Scan to PC Desktop®, MeterAssistant®, SuppliesAssistant®, Xerox Secure Access Unified ID System®, Xerox Extensible Interface Platform®, ColorQube®, ConnectKey®, Global Print Driver®, VersaLink®, AltaLink®, and Mobile Express Driver® are trademarks of Xerox Corporation in the United States and/or other countries.

Adobe® Reader®, Adobe® Type Manager®, ATM™, Flash®, Macromedia®, Photoshop®, and PostScript® are trademarks of Adobe Systems Incorporated in the United States and/or other countries.

Apple®, Bonjour®, EtherTalk™, TrueType®, iPad®, iPhone®, iPod®, iPod touch®, Mac® and Mac OS® are trademarks of Apple Inc., registered in the U.S. and other countries. AirPrint® and the AirPrint Logo® are trademarks of Apple Inc.

Google Cloud Print™ web printing service, Gmail™ webmail service, and Android™ mobile technology platform are trademarks of Google, Inc.

HP-GL®, HP-UX®, and PCL® are trademarks of Hewlett-Packard Corporation in the United States and/or other countries.

IBM® and AIX® are trademarks of International Business Machines Corporation in the United States and/or other countries.

Microsoft®, Windows Vista®, Windows®, and Windows Server® are trademarks of Microsoft Corporation in the United States and other countries.

McAfee®, ePolicy Orchestrator®, and McAfee ePO™ are trademarks or registered trademarks of McAfee, Inc. in the United States and other countries.

Novell®, NetWare®, NDPS®, NDS®, IPX™, and Novell Distributed Print Services™ are trademarks of Novell, Inc. in the United States and other countries.

PANTONE® and other Pantone, Inc. trademarks are the property of Pantone, Inc.

SGI® and IRIX® are trademarks of Silicon Graphics International Corp. or its subsidiaries in the United States and/or other countries.

Sun, Sun Microsystems, and Solaris are trademarks or registered trademarks of Oracle and/or its affiliates in the United States and other countries.

UNIX® is a trademark in the United States and other countries, licensed exclusively through X/ Open Company Limited.

Wi-Fi CERTIFIED Wi-Fi Direct® is a trademark of the Wi-Fi Alliance.

Document version 1.0: May 2017

Contents

1	Safety	11
	Notices and Safety	12
	Electrical Safety	13
	General Guidelines.....	13
	Power Cord	14
	Emergency Power Off.....	14
	Telephone Line Cord.....	14
	Operational Safety	15
	Operational Guidelines	15
	Ozone Release	15
	Printer Location	16
	Printer Supplies	16
	Maintenance Safety	17
	Printer Symbols.....	18
	Environmental, Health, and Safety Contact Information.....	20
2	Getting Started	21
	Parts of the Printer	22
	Front View.....	22
	Duplex Automatic Document Feeder.....	23
	Control Panel	24
	Internal Parts.....	26
	Rear View	26
	Configurations	27
	Power Options	28
	Powering On the Printer	28
	Powering Off the Printer.....	29
	Entering and Exiting Sleep Mode and Low Power Mode	29
	Power Saver.....	30
	Accessing the Printer	31
	Accounting.....	31
	Logging In.....	31
	Convenience Authentication	31
	Introduction to Apps	32
	Information Pages	33
	Printing Information Pages.....	33
	Configuration Report.....	34
	Printing the Configuration Report.....	34
	The Embedded Web Server.....	34

Installation and Setup	36
Installation and Setup Overview	36
Selecting a Location for the Printer	36
Connecting the Printer	37
More Information.....	52
3 Customize and Personalize	53
Customize and Personalize Overview	54
Customizing or Personalizing the Home Screen.....	55
Customizing or Personalizing the Apps.....	56
Customizing or Personalizing the Feature List.....	56
Customizing or Personalizing the Entry Screen	56
Saving Presets	57
Removing App Customization.....	57
Customizing App Default Settings	58
4 Xerox® Apps	59
Xerox® App Gallery.....	60
Xerox® App Gallery Overview	60
Setting up the Xerox® App Gallery	60
Accessing the Xerox® App Gallery	62
Installing or Updating an App from the Xerox® App Gallery.....	63
Logging out of your App Gallery Account	64
Device.....	65
Device Overview	65
About	66
Supply Status.....	66
Billing and Usage Counters.....	67
Reset to Factory Defaults	68
Remote Services	68
Address Book	69
Address Book Overview.....	69
Editing the Address Book.....	69
Managing Favorites.....	73
Jobs	74
Jobs Overview.....	74
Managing Jobs.....	74
Managing Special Job Types.....	76
Managing Jobs using the Embedded Web Server.....	80
Copy.....	81
Copy Overview.....	81
Making a Copy	82
Copy Workflows.....	84

ID Card Copy	92
ID Card Copy Overview.....	92
Copying an ID Card.....	92
Email	93
Email Overview.....	93
Sending a Scanned Image in an Email.....	93
Scan To	95
Scan To Overview	95
Scanning to an Email Address.....	96
Scanning to a User Home Folder	97
Scan to Desktop.....	98
Scanning to a Shared Folder on a Network Computer	98
Scanning Images into an Application on a Connected Computer	101
Fax	102
Fax Overview.....	102
Sending a Fax.....	103
Fax Workflows.....	105
USB.....	112
USB Overview	112
Scanning to a USB Flash Drive.....	112
Printing From a USB Flash Drive	113
5 Printing	115
Printing Overview	116
Selecting Printing Options.....	117
Print Driver Help	117
Windows Printing Options.....	118
Macintosh Printing Options	120
UNIX and Linux Printing.....	121
Mobile Printing Options.....	124
Print Jobs.....	125
Managing Jobs.....	125
Printing Special Job Types.....	126
Printing Features.....	130
Selecting Paper Options for Printing.....	130
Printing on Both Sides of the Paper	131
Print Quality	132
Image Options	132
Printing Multiple Pages to a Single Sheet.....	132
Printing Booklets	133
Using Special Pages	133
Orientation	136
Advanced Tab	137
Using Custom Paper Sizes	139
Defining Custom Paper Sizes.....	139
Printing on Custom Paper Sizes.....	140

6	Paper and Media	141
	Paper and Media Overview	142
	Supported Paper.....	143
	Ordering Paper	143
	General Paper Loading Guidelines	143
	Paper That Can Damage Your Printer.....	144
	Paper Storage Guidelines.....	144
	Supported Paper Types and Weights.....	145
	Supported Standard Paper Sizes.....	146
	Supported Standard Paper Sizes for Automatic 2-Sided Printing	147
	Supported Paper Types and Weights for Automatic 2-Sided Printing	147
	Supported Custom Paper Sizes	147
	Paper Tray Settings.....	148
	Configuring Tray Settings.....	148
	Configuring Trays 3 and 4 of the Tandem Tray Module	149
	Configuring Tray 6.....	150
	Loading Paper	153
	Loading Paper in Trays 1–4.....	153
	Loading Paper in Trays 3 and 4 of the Tandem Tray Module	157
	Loading Paper in the Bypass Tray	158
	Loading Paper in Tray 6	161
	Printing on Special Paper	163
	Envelopes.....	163
	Labels.....	167
7	Maintenance	175
	General Precautions.....	176
	Cleaning the Printer	177
	Cleaning the Exterior of the Printer	177
	Cleaning the Interior	179
	Supplies.....	181
	Consumables	181
	Routine Maintenance Items	181
	Ordering Supplies.....	189
	Toner Cartridges.....	192
	Recycling Supplies.....	192
	Adjustments and Maintenance Procedures.....	193
	Adjusting Paper Registration.....	193
	Adjusting the Altitude	195
	Managing the Printer	196
	Viewing the Meter Reading	196
	Printing the Billing Summary Report	197
	Moving the Printer.....	198

8	Troubleshooting	199
	General Troubleshooting	200
	Printer Does Not Power On.....	200
	Printer Resets or Powers Off Frequently.....	201
	Printer Does Not Print.....	201
	Printing Takes Too Long.....	202
	Document Prints From Wrong Tray	203
	Automatic 2-Sided Printing Problems	203
	Printer is Making Unusual Noises.....	203
	Paper Tray Does Not Close.....	203
	Condensation has Formed Inside the Printer.....	204
	Paper Jams	205
	Locating Paper Jams.....	205
	Minimizing Paper Jams.....	207
	Clearing Paper Jams	208
	Troubleshooting Paper Jams	217
	Clearing Finisher Jams	219
	Print-Quality Problems	228
	Controlling Print-Quality.....	228
	Paper and Media.....	229
	Solving Print-Quality Problems.....	229
	Copy and Scan Problems	233
	Fax Problems	234
	Problems Sending Faxes.....	234
	Problems Receiving Faxes.....	235
	Getting Help.....	236
	Viewing Warning Messages on the Control Panel.....	236
	Viewing Current Errors on the Control Panel.....	236
	Using the Integrated Troubleshooting Tools.....	236
	Online Support Assistant.....	237
	Information Pages.....	237
	More Information.....	238

A Specifications	239
Printer Configurations and Options.....	240
Available Configurations.....	240
Features.....	240
Options and Upgrades.....	242
Physical Specifications.....	243
Weights and Dimensions.....	243
Total Space Requirements.....	246
Environmental Specifications.....	249
Temperature.....	249
Relative Humidity.....	249
Elevation.....	249
Electrical Specifications.....	250
Power Supply Voltage and Frequency.....	250
Power Consumption.....	250
ENERGY STAR Qualified Product.....	250
Germany - Blue Angel.....	251
Recycling Supplies.....	251
Performance Specifications.....	252
Print Speed.....	252

B	Regulatory Information	253
	Basic Regulations.....	254
	United States FCC Regulations.....	254
	Canada.....	254
	Certifications in Europe	255
	European Union Lot 4 Imaging Equipment Agreement Environmental Information.....	255
	Germany.....	258
	Turkey RoHS Regulation.....	258
	Eurasian Economic Community Certification	258
	Regulatory Information for 2.4 GHz Wireless Network Adapter	259
	Ozone Release	259
	Copy Regulations.....	260
	United States.....	260
	Canada.....	261
	Other Countries.....	262
	Fax Regulations	263
	United States.....	263
	Canada.....	265
	European Union.....	266
	New Zealand.....	267
	South Africa	268
	Safety Certification.....	269
	Material Safety Data Sheets.....	270

C	Recycling and Disposal	271
	All Countries.....	272
	North America.....	273
	European Union.....	274
	Domestic/Household Environment	274
	Professional/Business Environment	274
	Collection and Disposal of Equipment and Batteries.....	275
	Battery Symbol Note.....	275
	Battery Removal.....	275
	Other Countries.....	276
D	Apps Features	277

Safety

1

This chapter includes:

- [Notices and Safety](#) 12
- [Electrical Safety](#) 13
- [Operational Safety](#) 15
- [Maintenance Safety](#) 17
- [Printer Symbols](#) 18
- [Environmental, Health, and Safety Contact Information](#) 20

Your printer and the recommended supplies have been designed and tested to meet strict safety requirements. Attention to the following information ensures the continued safe operation of your Xerox printer.

Notices and Safety

Read the following instructions carefully before operating your printer. Refer to these instructions to ensure the continued safe operation of your printer.

Your Xerox® printer and supplies are designed and tested to meet strict safety requirements. These include safety agency evaluation and certification, and compliance with electromagnetic regulations and established environmental standards.

The safety and environment testing and performance of this product have been verified using Xerox® materials only.

Note: Unauthorized alterations, which can include the addition of new functions or connection of external devices, can affect the product certification. For more information, contact your Xerox representative.

Electrical Safety

This section includes:

- [General Guidelines](#) 13
- [Power Cord](#) 13
- [Emergency Power Off](#) 14
- [Telephone Line Cord](#) 14

General Guidelines



WARNINGS:

- Do not push objects into slots or openings on the printer. Touching a voltage point or shorting out a part could result in fire or electric shock.
- Do not remove the covers or guards that are fastened with screws unless you are installing optional equipment and are instructed to do so. Power off the printer when performing these installations. Disconnect the power cord when removing covers and guards for installing optional equipment. Except for user-installable options, there are no parts that you can maintain or service behind these covers.

The following are hazards to your safety:

- The power cord is damaged or frayed.
- Liquid is spilled into the printer.
- The printer is exposed to water.
- The printer emits smoke, or the surface is unusually hot.
- The printer emits unusual noise or odors.
- The printer causes a circuit breaker, fuse, or other safety device to activate.

If any of these conditions occur, do the following:

1. Power off the printer immediately.
2. Disconnect the power cord from the electrical outlet.
3. Call an authorized service representative.

Power Cord

Use the power cord supplied with your printer.

Plug the power cord directly into a properly grounded electrical outlet. Ensure that each end of the cord is connected securely. If you do not know if an outlet is grounded, ask an electrician to check the outlet.



WARNING: To avoid risk of fire or electrical shock, do not use extension cords, power strips, or power plugs for more than 90 days. When a permanent outlet receptacle cannot be installed, use only one factory-assembled extension cord of the appropriate gauge for each printer or multifunction printer. Always adhere to national and local building, fire, and electrical codes regarding length of cord, conductor size, grounding, and protection.

- Do not use a ground adapter plug to connect the printer to an electrical outlet that does not have a ground connection terminal.
- Verify that the printer is plugged into an outlet that is providing the correct voltage and power. Review the electrical specification of the printer with an electrician if necessary.
- Secure the power cord in place using the bracket provided with the printer.
- Do not place the printer in an area where people can step on the power cord.
- Do not place objects on the power cord.
- Do not plug or unplug the power cord while the power switch is in the On position.
- If the power cord becomes frayed or worn, replace it.
- To avoid electrical shock and damage to the cord, grasp the plug when unplugging the power cord.

The power cord is attached to the printer as a plug-in device on the back of the printer. If it is necessary to disconnect all electrical power from the printer, disconnect the power cord from the electrical outlet.

Emergency Power Off

If any of the following conditions occur, power off the printer immediately and disconnect the power cord from the electrical outlet. Contact an authorized Xerox service representative to correct the problem if:

- The equipment emits unusual odors or makes unusual noises.
- The power cable is damaged or frayed.
- A wall panel circuit breaker, fuse, or other safety device has been tripped.
- Liquid is spilled into the printer.
- The printer is exposed to water.
- Any part of the printer is damaged.

Telephone Line Cord



WARNING: To reduce the risk of fire, use only No. 26 American Wire Gauge (AWG) or larger telecommunication line cord.

Operational Safety

Your printer and supplies were designed and tested to meet strict safety requirements. These include safety agency examination, approval, and compliance with established environmental standards.

Your attention to the following safety guidelines helps to ensure the continued, safe operation of your printer.

Operational Guidelines

- Do not remove any trays while the printer is printing.
- Do not open the doors when the printer is printing.
- Do not move the printer while is printing.
- Keep hands, hair, neckties, and so on away from the exit and feed rollers.
- Covers, which require tools for removal, protect the hazard areas within the printer. Do not remove the protective covers.
- Do not override any electrical or mechanical interlock devices.
- Do not attempt to remove paper that is jammed deeply inside the product. Switch off the product promptly and contact your local Xerox representative.



WARNING: The metallic surfaces in the fuser area are hot. Always use caution when removing paper jams from this area and avoid touching any metallic surfaces.

Ozone Release

This printer produces ozone during normal operation. The amount of ozone produced is dependent on copy volume. Ozone is heavier than air and is not produced in amounts large enough to harm anyone. Install the printer in a well-ventilated room.

For more information in the United States and Canada, go to www.xerox.com/environment. In other markets, please contact your local Xerox representative or go to www.xerox.com/environment_europe.

Printer Location

- Place the printer on a level, solid, non-vibrating surface with adequate strength to hold its weight. To find the weight for your printer configuration, refer to [Physical Specifications](#) on page 243.
- Do not block or cover the slots or openings on the printer. These openings are provided for ventilation and to prevent overheating of the printer.
- Place the printer in an area where there is adequate space for operation and servicing.
- Place the printer in a dust-free area.
- Do not store or operate the printer in an extremely hot, cold, or humid environment.
- Do not place the printer near a heat source.
- Do not place the printer in direct sunlight to avoid exposure to light-sensitive components.
- Do not place the printer where it is directly exposed to the cold air flow from an air conditioning system.
- Do not place the printer in locations susceptible to vibrations.
- For optimum performance, use the printer at the elevations specified in Elevation.

Printer Supplies

- Use the supplies designed for your printer. The use of unsuitable materials can cause poor performance and a possible safety hazard.
- Follow all warnings and instructions marked on, or supplied with, the product, options, and supplies.
- Store all consumables in accordance with the instructions given on the package or container.
- Keep all consumables away from the reach of children.
- Never throw toner, toner cartridges, drum cartridges, or waste cartridges into an open flame.
- When handling cartridges, for example toner and such, avoid skin or eye contact. Eye contact can cause irritation and inflammation. Do not attempt to disassemble the cartridge, which can increase the risk of skin or eye contact.



CAUTION: Use of non-Xerox supplies is not recommended. The Xerox Warranty, Service Agreement, and Total Satisfaction Guarantee do not cover damage, malfunction, or degradation of performance caused by use of non-Xerox supplies, or the use of Xerox supplies not specified for this printer. The Total Satisfaction Guarantee is available in the United States and Canada. Coverage could vary outside these areas. Please contact your Xerox representative for details.

Maintenance Safety

Do not attempt any maintenance procedure that is not specifically described in the documentation supplied with your printer.





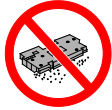






- Clean the device with a dry lint-free cloth only.
- Do not burn any consumables or routine maintenance items. For information on Xerox® supplies recycling programs, go to www.xerox.com/gwa.








WARNING: Do not use aerosol cleaners. Aerosol cleaners can be explosive or flammable when used on electromechanical equipment.

When installing the device in a hallway or similar restricted area, additional space requirements can apply. Ensure that you comply with all workspace safety regulations, building codes, and fire codes for your area.

Printer Symbols

Symbol	Description
	Warning: Indicates a serious hazard that can result in death or serious injury if not avoided.
	Hot Warning: Hot surface on or in the printer. Use caution to avoid personal injury.
	Warning: Moving parts. To avoid personal injury, use caution.
	Caution: Indicates a mandatory action to take in order to avoid damage to the property.
	Caution: To avoid damage to the property, be careful not to spill toner when handling the waste cartridge.
	Do not touch the part or area of the printer.
	Do not expose the drum cartridges to direct sunlight.
	Do not burn the toner cartridges.
	Do not burn the waste cartridge.
	Do not burn the drum cartridges.
	Do not use paper attached with staples or any form of binding clip.

Symbol	Description
	Do not use folded, creased, curled, or wrinkled paper.
	Do not use inkjet paper.
	Do not use transparencies or overhead projector sheets.
	Do not reload paper previously printed on or used.
	Do not copy money, revenue stamps, or postage stamps.

For details about all the printer symbols that appear on your printer, refer to the *Printer Symbols* guide at www.xerox.com/office/VLB70XXdocs.

Environmental, Health, and Safety Contact Information

For more information on Environment, Health, and Safety in relation to this Xerox product and supplies, contact the following customer help lines:

United States and Canada: 1-800-ASK-XEROX (1-800-275-9376)

Europe: +44 1707 353 434

For product safety information in the United States and Canada, go to www.xerox.com/environment.

For product safety information in Europe, go to www.xerox.com/environment_europe.

Getting Started

2

This chapter includes:

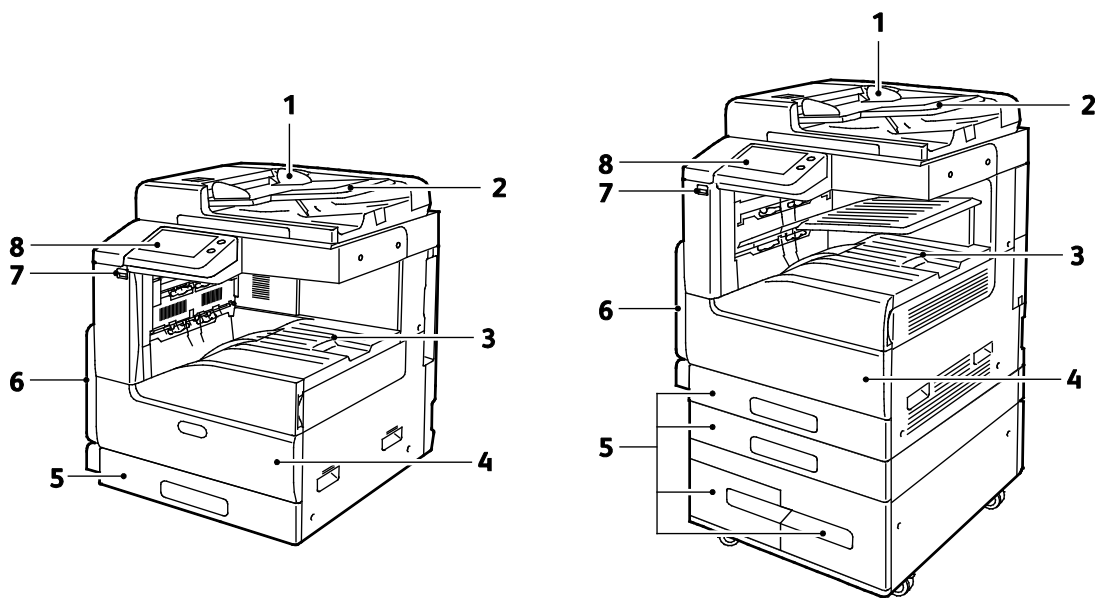
- Parts of the Printer22
- Power Options.....28
- Accessing the Printer31
- Introduction to Apps32
- Information Pages33
- Configuration Report34
- Installation and Setup36
- More Information.....52

Parts of the Printer

This section includes:

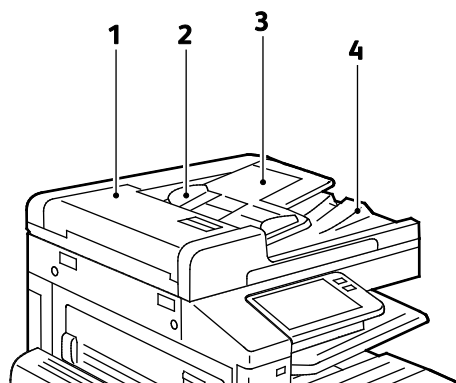
- [Front View](#)22
- [Duplex Automatic Document Feeder](#).....23
- [Control Panel](#).....24
- [Internal Parts](#).....25
- [Rear View](#).....26
- [Configurations](#).....27

Front View



- 1. Paper Guides
- 2. Duplex Automatic Document Feeder Input Tray
- 3. Paper Output, shown with and without the optional Center Top Tray
- 4. Front Door
- 5. Paper Trays. Configurations vary from 1 to 4 trays. Tandem Tray shown on bottom right
- 6. Bypass Tray
- 7. USB Port
- 8. Control Panel

Duplex Automatic Document Feeder



- | | |
|--------------------------|-------------------------------------|
| 1. Document Feeder Cover | 3. Duplex Automatic Document Feeder |
| 2. Paper Guides | 4. Document Output Tray |

Duplex Automatic Document Feeder Guidelines

The Duplex Automatic Document Feeder accommodates the following original-size documents:

- Width: 125–297 mm (4.9–11.7 in.)
- Length: 85–431 mm (3.3–17 in.)
- Weight: 38–128 g/m²

Follow these guidelines when loading original documents into the duplex automatic document feeder:

- Load original documents face up so that the top of the document enters the feeder first.
- Place only loose sheets of undamaged paper in the duplex automatic document feeder.
- Adjust the paper guides so that they fit against the original documents.
- Insert paper in the duplex automatic document feeder only when ink on the paper is dry.
- Do not load original documents above the MAX fill line.

Document Glass Guidelines

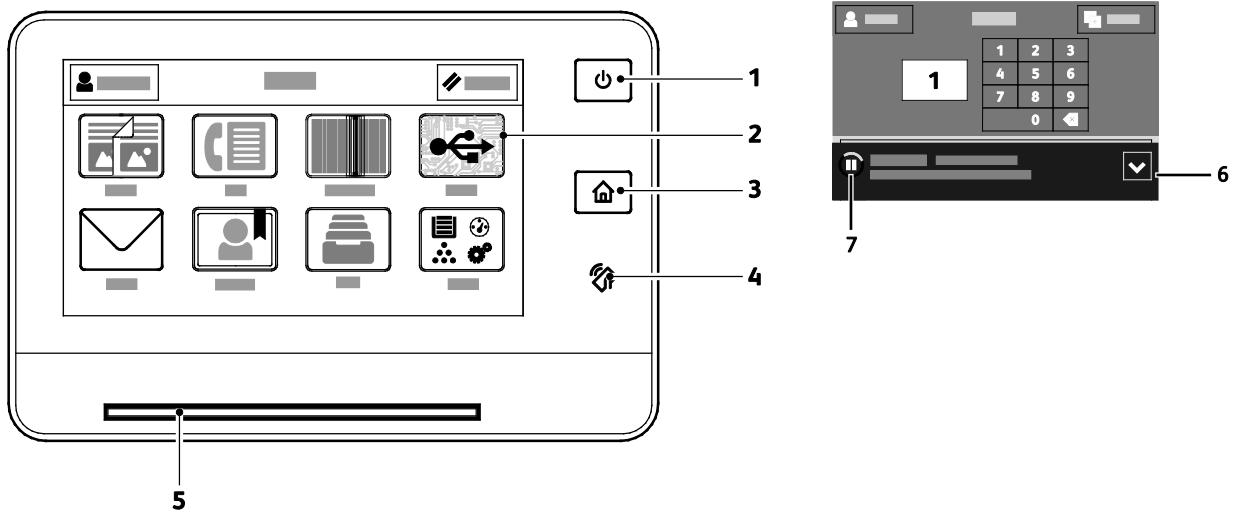
The document glass accommodates original size documents up to 332 x 437 mm (13.1 x 17.2 in.). Use the document glass rather than the duplex automatic document feeder to copy or scan the following types of original documents:

- Paper with paper clips or staples attached
- Paper with wrinkles, curls, folds, tears, or notches
- Coated or carbonless paper or items other than paper, such as cloth or metal
- Envelopes
- Books

Control Panel

The control panel consists of a touch screen and buttons you press to control the functions available on the printer. The control panel:

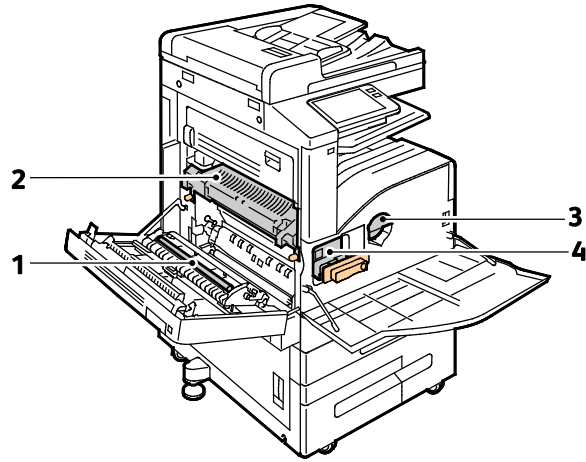
- Displays the current operating status of the printer.
- Provides access to print, copy, and scan features.
- Provides access to reference materials.
- Provides access to Tools and Setup menus.
- Prompts you to load paper, replace supplies, and clear jams.
- Displays errors and warnings.
- Provides the Power/Wake button used for powering on or off the printer. This button also supports the power-saver modes, and blinks to indicate the power status of the printer.



Item	Name	Description
1	Power/Wake Button	<p>This button serves several power-related functions.</p> <p>When the printer is powered off, this button powers on the printer.</p> <ul style="list-style-type: none"> • When the printer is powered on, pressing this button displays a menu on the control panel. From this menu, you can choose to enter Sleep mode, restart, or power off the printer. • When the printer is powered on, but in a low-power mode or Sleep mode, pressing this button wakes the printer. • When the printer is powered on, holding this button for 10-seconds turns off the printer. <p>This button blinks to indicate the power status of the printer.</p> <ul style="list-style-type: none"> • When the light blinks slowly, the printer is in low-power mode or Sleep mode. • When the light blinks rapidly, the printer is powering down, or exiting a low-power mode.
2	Touch Screen Display	The screen displays information and provides access to printer functions.

Item	Name	Description
3	Home Button	This button provides access to the Home menu for access to printer features, such as copy, scan, and fax.
4	NFC Area (Optional)	Near Field Communication (NFC), is a technology that enables devices to communicate when they are within 10 cm (4 in.) of each other. Use the NFC area to obtain a network interface or to establish a TCP/IP connection between your device and the printer.
5	Status LED	<p>This light blinks blue or amber to indicate printer status.</p> <p>Blue</p> <ul style="list-style-type: none"> • Blinks blue once to acknowledge a successful Authentication request. • Blinks blue once slowly for a copy or print job initiated at the control panel. • Blinks blue twice slowly for fax or print job received from the network. • Blinks blue rapidly while the printer is powering up, or to signal detection of a Wi-Fi Direct connection request. <p>Amber</p> <ul style="list-style-type: none"> • Blinks amber to indicate an error condition or warning that requires your attention. For example, an out of toner condition, a paper jam, or out of paper for the current job. • It also blinks amber to indicate a system error, which typically is associated with an error code.
6	Notification Banner	Notifications and messages are displayed in a pop-up banner below the apps area. To view the full notification, touch the center of the banner. After you have reviewed the information, touch X to close.
7	Pause Icon	When a job is being scanned or processed, a Pause icon appears in the notification banner area. To pause the current job, touch the Pause icon. The job pauses with the option to resume or delete the job.

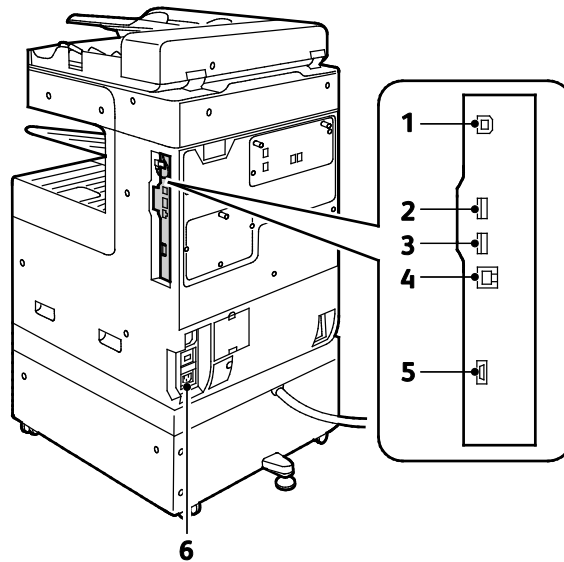
Internal Parts



- 1. Transfer Roller
- 2. Fuser

- 3. Toner Cartridge
- 4. Drum Cartridge

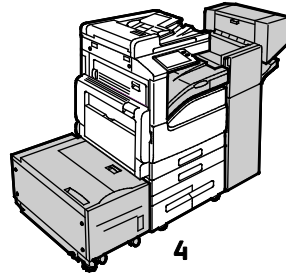
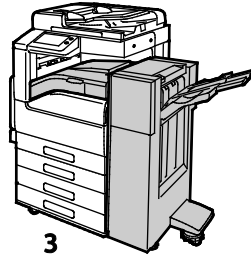
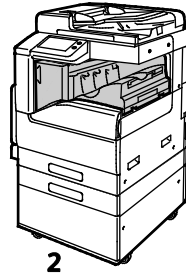
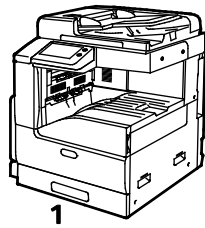
Rear View



- 1. USB Host Port
- 2. USB Device Port
- 3. Wi-Fi Connectivity Port

- 4. Ethernet Port
- 5. Foreign Device Interface
- 6. Power Connection

Configurations



1. Base Model

2. Printer, Additional Trays, and Integrated Office Finisher

3. Printer, Additional Trays, and Office Finisher

4. Printer, Additional Trays, High-Capacity, Feeder, and Office Finisher with Booklet Maker

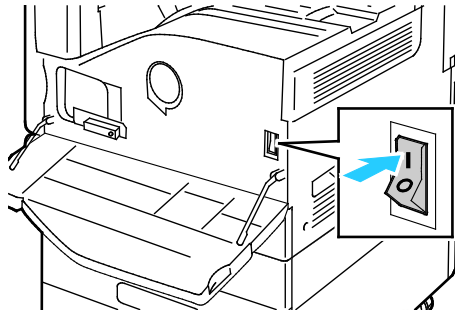
Power Options

The printer has a single multifunction button on the control panel. The Power/Wake button restarts, powers up, or powers down the printer. This button also enters and exits low-power mode, and flashes when the printer is in power-saver mode.

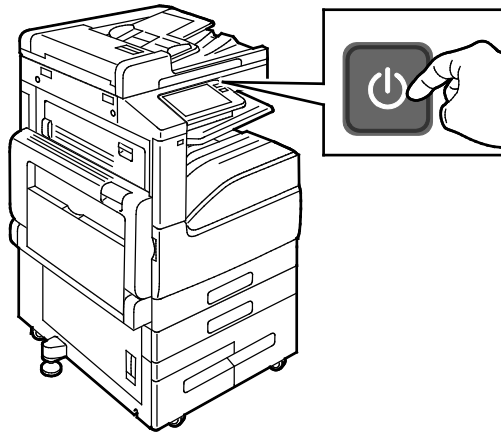
Powering On the Printer

To power on the printer:

1. Open the front door, then press the power switch to the On position.



2. At the printer control panel, press the **Power/Wake** button.

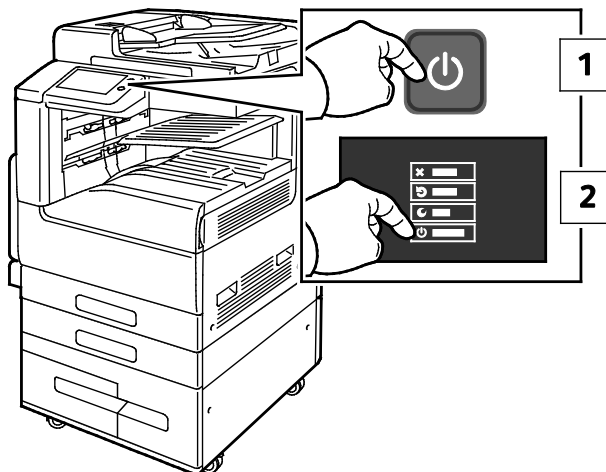


CAUTION: Do not unplug the power cord while the printer powers up.

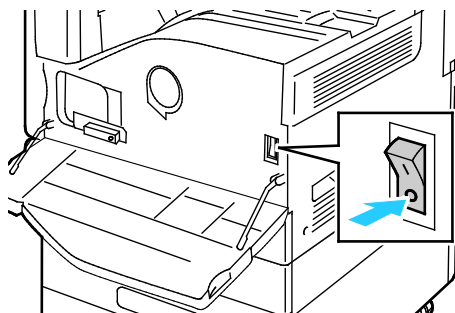
Powering Off the Printer

To power off the printer:

1. At the printer control panel, press the **Power/Wake** button, then touch **Power Off**.



2. Open the front door, then press the power switch off.



CAUTION: Do not unplug the power cord while the printer powers down.

Entering and Exiting Sleep Mode and Low Power Mode

After the printer is powered on but is in Sleep Mode or Low-Power Mode:

- The touch screen appears blank and unresponsive.
- The printer exits Low-Power mode or Sleep mode automatically when it receives data from a connected device.

To wake the printer manually, press the **Power/Wake** button.

Power Saver

You can set the time the printer spends idle in ready mode before the printer transitions to a lower power level.

There are two levels of power-saver mode.

- **Low-Power Timeout:** The printer shifts from Ready mode to Low-Power mode to reduce standby power consumption.
- **Sleep Timeout:** The printer shifts from Low-Power mode to Sleep mode for a greater reduction in power consumption.

Accessing the Printer

Accounting

Accounting monitors the print, copy, scan, and fax impressions produced and who produces them.

The system administrator must create user accounts and enable the accounting feature. When accounting is enabled, you must log in to the printer before accessing services. You must also provide your account details in the print driver before printing documents from a computer. The system administrator can set limits to restrict the total number of jobs by type that a user can produce. The administrator can also generate reports listing usage data for individual users and groups.

For details, refer to the *System Administrator Guide* at www.xerox.com/office/VLB70XXdocs.

Logging In

Logging in is the process by which you identify yourself to the printer for authentication. If authentication is set, to access printer features, you log in with your user credentials.

Logging In at the Control Panel

1. At the printer control panel, press the **Home** button.
2. Touch **Log In**.
3. Type the User Name using the keypad, then touch **Enter**.
4. If prompted, enter the password, then press **Enter**.
5. Touch **OK**.

Note: To access each service that is password-protected, repeat steps 3 and 4.

Convenience Authentication

When Convenience Authorization is enabled, users swipe a pre-programmed identification card through a Proximity Card Reader at the control panel. To use this method, purchase and install a USB card reader and an authentication server that supports the Xerox® Convenience Authentication API.

Introduction to Apps

Xerox Apps are a gateway to the features and functions of your device. There are standard Apps that are already installed on the device and that appear on the Home screen. There are also Apps that are installed as standard but are hidden when your device is used for the first time.









When you log in, the apps that are configured for your personal account appear on the control panel.

You can download more Apps for your device from the Xerox® App Gallery. For details, refer to [Xerox Apps Gallery Overview](#) on page 60.

Information Pages

Your printer has a set of information pages that you can print. These pages include configuration and font information, demonstration pages, and more.

The following Information Pages are available:

Name	Description
 Configuration Report	The Configuration Report provides printer information including installed options, network settings, port setup, tray information, and more.
 Billing Summary Report	The Billing Summary Report provides information about the device and a detailed listing of the billing meters and sheet counts.
 Supplies Usage Report	The Supplies Usage Report provides coverage information and part numbers for reordering supplies.
 PostScript Font List <i>Note:</i> PostScript Fonts are optional.	The PostScript Font List provides a printout of all PostScript fonts that are available on the printer.
 PCL Font List	The PCL Font List provides a printout of all PCL fonts that are available on the printer.
 Demonstration Print	Demonstration Print provides a demonstration of the current print quality.
 Startup Page	The Startup Page provides basic printer configuration and network information.
 Job History Report	The printer retains information on previous print jobs, including the date, time, job type, document name, output color, paper size, number of pages, and results. The status of a maximum of 200 jobs prints on the Job History Report.

Printing Information Pages

1. At the printer control panel, press the **Home** button.
2. Touch **Device > About > Information Pages**.
3. To print an information page, touch the desired page.
4. To return to the Home screen, press the **Home** button.

Configuration Report

The Configuration Report provides product information including, installed options, network settings, port setup, tray information, and more.

Printing the Configuration Report

1. At the printer control panel, press the **Home** button.
2. Touch **Device > About > Information Pages**.
3. Touch **Configuration Report**.
4. To return to the Home screen, press the **Home** button.

The Embedded Web Server

The Embedded Web Server is the administration and configuration software that is installed in the printer. It allows you to configure and administer the printer from a Web browser.

The Embedded Web Server requires:

- A TCP/IP connection between the printer and the network in Windows, Macintosh, UNIX, or Linux environments.
- TCP/IP and HTTP enabled in the printer.
- A network-connected computer with a Web browser that supports JavaScript.

Accessing the Embedded Web Server

At your computer, open a Web browser. In the address field, type the IP address of the printer, then press **Enter** or **Return**.

Finding the IP Address of Your Printer

To install the print driver for a network-connected printer, you need the IP address of your printer. You also need the IP address to access the settings of your printer through the Embedded Web Server. You can view the IP address of your printer on the control panel or on the Configuration Report.

Note: Wait until the printer has been on for 2 minutes to view the TCP/IP address. If the TCP/IP address is 0.0.0.0, or begins with 169, it indicates a network connectivity issue.

To view the IP address of the printer on the control panel:

1. At the printer control panel, press the **Home** button.
2. Touch **Device > About**.
3. Record the IP address from the display.
4. To return to the Home screen, press the **Home** button.

To obtain the printer IP address from the Configuration Report:

1. At the printer control panel, press the **Home** button.
2. Touch **Device > About > Information Pages**.
3. Touch **Configuration Report**. The IP address appears in the Connectivity section of the Configuration Report for IPv4 or IPv6.

To return to the Home screen, press the **Home** button.

Installation and Setup

For reference:

Installation Guide packaged with your printer.

Online Support Assistant at www.xerox.com/office/VLB70XXsupport

Installation and Setup Overview

Before you print, ensure that your computer and the printer are plugged in, powered on, and connected. Configure the initial settings of the printer, then install the print driver software and utilities on your computer.

You can connect to your printer directly from your computer using USB, or connect to a network using an Ethernet cable or wireless connection. Hardware and cabling requirements vary for the different connection methods. Routers, network hubs and switches, modems, Ethernet cables, and USB cables are not included with your printer and are purchased separately. Xerox recommends an Ethernet connection because it is typically faster than a USB connection, and it provides access to the Embedded Web Server.

For more information, refer to the *System Administrator Guide* at www.xerox.com/office/VLB70XXdocs.

Selecting a Location for the Printer

1. Select a dust-free area with temperatures from 10–32°C (50–90°F), and relative humidity 10–85%.
Note: Sudden temperature fluctuations can affect print quality. Rapid heating of a cold room can cause condensation inside the printer, directly interfering with image transfer.
2. Place the printer on a level, solid, non-vibrating surface with adequate strength to hold the weight of the printer. The printer must be horizontal with all four feet in solid contact with the surface. To find the weight for your printer configuration, refer to [Weights and Dimension](#) on page 243. Select a location with adequate clearance to access supplies and to provide proper ventilation. To find the clearance requirements for your printer, refer to [Total Space Requirements](#) on page 245.
3. After positioning the printer, connect it to the power source and computer or network.

Connecting the Printer

This section includes:

- [Selecting a Connection Method](#).....37
- [Connecting to a Computer Using USB](#)38
- [Connecting to a Wired Network](#).....38
- [Connecting to a Wireless Network](#).....38
- [Connecting to a Telephone Line](#)44
- [Initial Printer Setup](#).....44
- [Configuring AirPrint](#)44
- [Configuring Google Cloud Print](#)45
- [Installing the Software](#).....47

Selecting a Connection Method

You can connect the printer to your computer using a USB cable, Ethernet cable, or wireless connection. The method that you select depends on how your computer is connected to the network. A USB connection is a direct connection and is the easiest to set up. An Ethernet connection is used to connect to a network. If you are using a network connection, it is important to understand how your computer is connected to the network.

Note: Hardware and cabling requirements vary for the different connection methods. Routers, network hubs, network switches, modems, Ethernet cables, and USB cables are not included with your printer and must be purchased separately.

- **USB:** If you connect the printer to one computer and do not have a network, use a USB connection. A USB connection offers fast data speeds, but typically not as fast as a network connection.
Note: To access the Embedded Web Server, a network connection is required.
- **Network:** If your computer is connected to an office network or home network, use an Ethernet cable to connect the printer to the network. You cannot connect the printer directly to the computer. A connection through a router or network switch is required. An Ethernet network can be used for one or more computers and supports many printers and systems simultaneously. An Ethernet connection is typically faster than USB and allows you direct access to the settings of the printer using the Embedded Web Server.
- **Wireless Network:** If your environment includes a wireless router or wireless access point, you can connect the printer to the network with a wireless connection. A wireless network connection provides the same access and services as a wired connection provides. A wireless network connection is typically faster than USB and allows direct access to the settings of the printer using the Embedded Web Server.
- **Telephone:** To send and receive faxes, the multifunction printer must be connected to a dedicated telephone line.

Connecting to a Computer Using USB

- Windows 7, Windows 8.1, Windows Server 2008, Windows 10, Windows Server 2008 R2, and Windows Server 2012.
- Macintosh OS X version 10.9 and later.
- UNIX and Linux: Your printer supports connection to various UNIX platforms through the network interface.

To connect the printer to the computer using a USB cable:

1. Connect the **B** end of a standard A/B USB 2.0 or USB 3.0 cable to the USB Port on the back of the printer.
2. Connect the **A** end of the USB cable to the USB port on the computer.
3. If the Windows Found New Hardware Wizard appears, cancel it.
4. Install the print driver.

For more information, refer to [Installing the Software](#) on page 47.

Connecting to a Wired Network

1. Ensure that the printer is powered off.
2. Attach a Category 5 or better Ethernet cable from the printer to the network or router socket. Use an Ethernet switch or router, and two or more Ethernet cables. Connect the computer to the switch or router with one cable, then connect the printer to the switch or router with the second cable. Connect to any port on the switch or router except the uplink port.
3. Attach the power cord, then plug in the printer and turn it on.
4. Set the network IP printer address, or set up the printer for automatic printer IP detection. For more information, refer to the *System Administrator Guide* at www.xerox.com/office/VLB70XXdocs.

Connecting to a Wireless Network

A wireless local area network (WLAN) provides the means to connect two or more devices in a LAN without a physical connection. The printer can connect to a wireless LAN that includes a wireless router or wireless access point. Before connecting the printer to a wireless network, the wireless router must be configured with a service set identifier (SSID) and any necessary credentials.

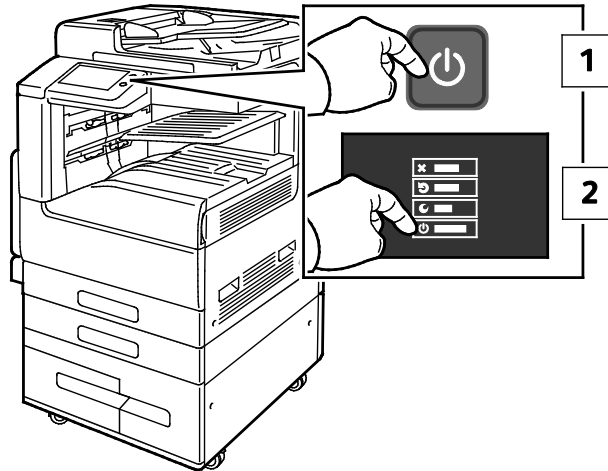
Note: Wireless networking is available only on printers with the optional Wireless Network Adapter installed.

Installing the Wireless Network Adapter

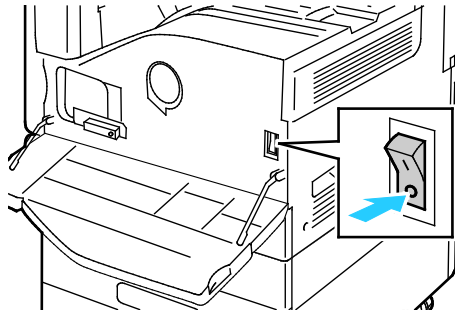
The optional wireless network adapter plugs in to the back of the control board. After the adapter is installed, and wireless networking is enabled and configured, the adapter is able to connect to a wireless network.

To install the Wireless Network Adapter:

1. Power off the printer.
 - a. At the control panel, press the **Power/Wake** button, then touch **Power Off**.



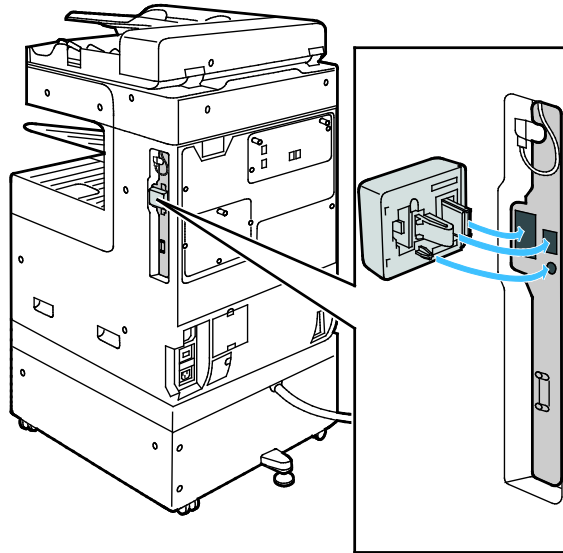
- b. Open the front door, then press the power switch off.



CAUTION: Do not unplug the power cord while the printer powers down.

2. Remove the packaging from the Wireless Network Adapter.

3. To install the Wireless Network Adapter, follow the instructions provided with the Wireless Network Adapter.



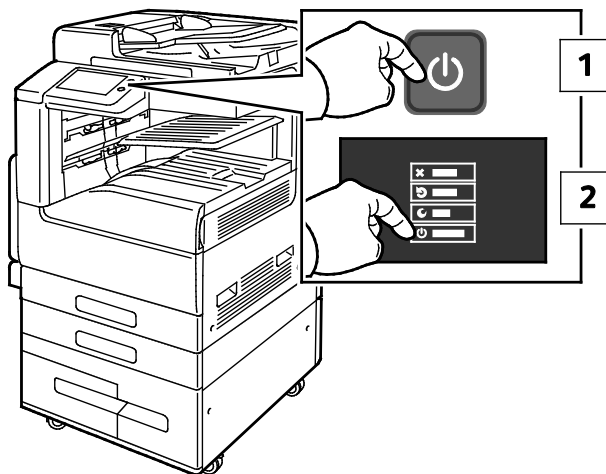
CAUTION: Pulling on the adapter can cause damage. Once the adapter is installed, remove it only as needed, and as directed in the Wireless Network Adapter removal instructions. For details, refer to [Removing the Wireless Network Adapter](#) on page 40.

4. Configure the Wi-Fi settings. For details about configuring the Wi-Fi settings, refer to the *System Administrator Guide* at www.xerox.com/office/VLB70XXdocs.

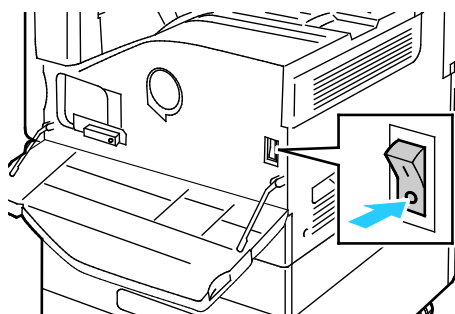
Removing the Wireless Network Adapter


To remove the Wireless Network Adapter:

1. Power off the printer:
 - a. At the printer control panel, press the **Power/Wake** button, then touch **Power Off**.

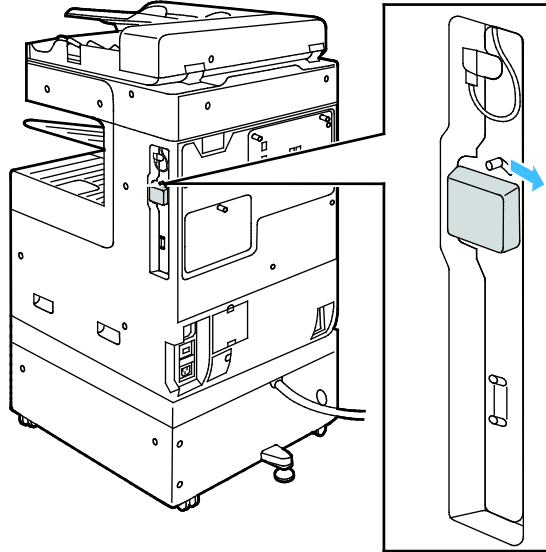



- b. Open the front door, then press the power switch off.



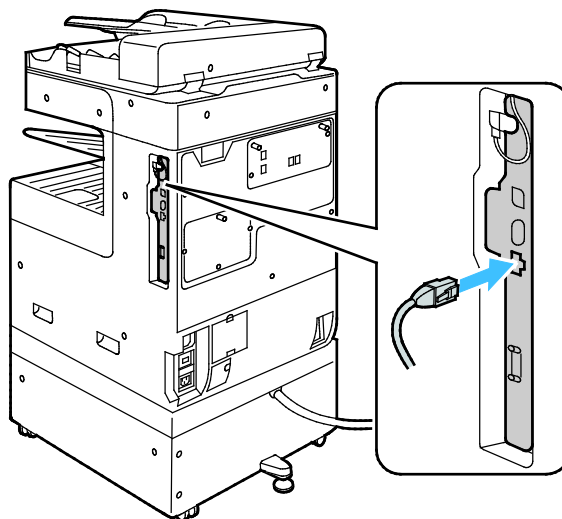
 **CAUTION:** Do not unplug the power cord while the printer powers down.

2. To release the Wireless Network Adapter from the connection panel on the side of the printer, gently grasp the adapter and push the release lever to the side. Carefully pull the adapter away from the printer.

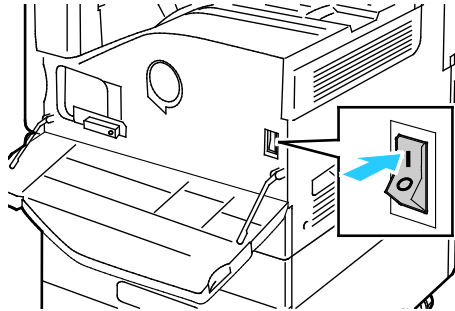


 **CAUTION:** Do not use force to pull on the Wireless Network Adapter. If the latch is released properly, the adapter pulls out easily. Pulling on the adapter can damage it.

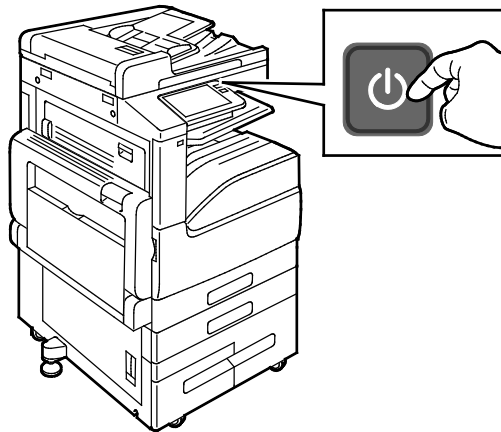
3. Connect the printer to your computer with a USB cable or through the network using an Ethernet cable.



4. Power on the printer:
 - a. Open the front door, then press the power switch to the On position.



- b. At the printer control panel, press the **Power/Wake** button.



5. **Note:** If the printer was installed previously in a wireless network environment, it could retain setup and configuration information from that environment. To prevent the printer from attempting to connect to the previous network, reset the wireless settings. For more information, refer to the *System Administrator Guide* at www.xerox.com/office/VLB70XXdocs.

Connecting to Wi-Fi Direct

You can connect to your printer from a Wi-Fi mobile device, such as a tablet, computer, or smart phone, using Wi-Fi Direct. Wi-Fi Direct is disabled by default.

Note: Wireless networking is available only on printers with the optional Wireless Network Adapter installed.

To connect with Wi-Fi Direct, follow the directions provided with your mobile device.

Connecting with Wi-Fi Direct from Your Mobile Device

To connect with Wi-Fi Direct, follow the directions provided with your mobile device.

Connecting to a Telephone Line



WARNING: To reduce the risk of fire, use only No. 26 American Wire Gauge (AWG) or larger telecommunication line cord.

1. Ensure that the printer is powered off.
2. Connect a standard RJ11 cable, No. 26 American Wire Gauge (AWG) or larger, to the Line port on the back of the printer.
3. Connect the other end of the RJ11 cable to an operating telephone line.
4. Power on the printer.
5. Enable and configure the Fax functions.

Initial Printer Setup

Before installing the printer software, verify that the printer is set up correctly. Setup includes enabling the optional features and assigning an IP address for the Ethernet network connection. The installation wizard starts automatically the first time the printer is started. The installation wizard prompts the System Administrator to configure the following settings:

- Language
- Network Connection
- Proxy Server Setup
- Date and Time
- Measurements
- LDAP Settings
- Apps Setup
- Security Settings

For more information on configuring the printer settings, refer to the *System Administrator Guide* at www.xerox.com/office/VLB70XXdocs.

Configuring AirPrint

AirPrint is a software feature that allows you to print from wired or wireless Apple iOS-based mobile devices and Mac OS-based devices without the need to install a print driver. AirPrint-enabled printers allow you to print or fax directly from a Mac, an iPhone, iPad, or iPod touch. You can use AirPrint to print from a wired device or a wireless device without using a print driver.



Notes:

- Not all applications support AirPrint.
 - Wireless devices must join the same wireless network as the printer.
 - For AirPrint to function, both IPP and Bonjour (mDNS) protocols must be enabled.
 - The device that submits the AirPrint job must be on the same subnet as the printer. To allow devices to print from different subnets, configure your network to pass multicast DNS traffic across subnets.
 - The Mac OS device must be Mac OS 10.7 or later.
 - AirPrint-enabled printers work with all models of iPad, iPhone (3GS or later), and iPod touch (third-generation or later), running the latest version of iOS.
1. At your computer, open a Web browser. In the address field, type the IP address of the printer, then press **Enter** or **Return**.

Note: If you do not know the IP address for your printer, refer to [Finding the IP Address of Your Printer](#) on page 34.
 2. In the Embedded Web Server, click **Home > Connectivity**.

Note: If this feature does not appear, log in as a system administrator.
 3. For Mobile Printing, click **AirPrint**.
 4. To enable AirPrint, click the **Enable** toggle button.

Note: AirPrint is enabled by default when IPP and Bonjour (mDNS) are both enabled.

 - To change the printer name, in the Name field, enter a new name.
 - To enter a location for the printer, in the Location field, enter the location of the printer.
 - To enter a physical location or address for the printer, in the Geo-Location field, enter the geographic latitude and longitude coordinates in decimal form. For example, use coordinates such as 45.325026, -122.766831 for a location.
 5. Click **OK**.
 6. To activate your changes, at the prompt, click **Restart Now**.

Configuring Google Cloud Print

Google Cloud Print™ allows you to print documents that are stored in the cloud without using a print driver.

Before you begin:

- Set up a Google email account.
- Configure the printer to use IPv4.
- Configure Proxy Server settings as needed.

To configure Google Cloud Print:

1. At your computer, open a Web browser. In the address field, type the IP address of the printer, then press **Enter** or **Return**.

Note: If you do not know the IP address for your printer, refer to [Finding the IP Address of Your Printer](#) on page 34.

2. In the Embedded Web Server, click **Home > Connectivity**.
3. For Mobile Printing, click **Google Cloud Print**.
4. To enable Google Cloud Print, click the **Enable** toggle button.
5. Click **OK**.
6. Restart the printer, then wait two minutes for the printer to connect.
7. Refresh your Web browser, then for Mobile Printing, click **Google Cloud Print**.
8. Click **Printer Registration**.
9. Click **Register**.
A printer registration page prints.
10. To register the printer, in your Web browser, type the URL provided, or use your mobile phone to scan the barcode.
After the printer is registered, a confirmation status window appears.
11. To access the Google Cloud Print feature, in your Google account, click **Manage Your Printer**.

Note: The default printer name appears in this format: Model name (MAC address).

Installing the Software

This section includes:

- [Operating System Requirements](#).....47
- [Installing the Print Drivers for a Windows Network Printer](#)48
- [Installing the Print Drivers for a Windows USB Printer](#)48
- [Installing the Drivers and Utilities for Macintosh OS X](#).....49
- [Installing Drivers and Utilities for UNIX and Linux](#).....50
- [Installing the Printer as a Web Service on Devices](#)50

Before installing driver software, verify that the printer is plugged in, turned on, connected correctly, and has a valid IP address. If you cannot find the IP address, refer to [Finding the IP Address of Your Printer](#) on page 34.

If the *Software and Documentation disc* is not available, download the latest drivers from www.xerox.com/office/VLB70XXdrivers.

Operating System Requirements

- Windows 7, Windows 8.1, Windows Server 2008, Windows 10, Windows Server 2008 R2, and Windows Server 2012.
- Macintosh OS X version 10.9 and later.
- UNIX and Linux: Your printer supports connection to various UNIX platforms through the network interface.

Installing the Print Drivers for a Windows Network Printer

1. Insert the *Software and Documentation disc* into the appropriate drive on your computer. If the installer does not start automatically, navigate to the drive, and double-click the **Setup.exe** installer file.
2. Select your printer model.
3. Click **Install Drivers**.
4. Select **Install Print Driver**, **Install Scan Driver**, or **Install Print and Scan Drivers**.
5. At the License Agreement, click **I Agree**.
6. From the list of discovered printers, select your printer.

Note: When installing drivers for a network printer, if your printer does not appear in the list, click the **IP Address or DNS Name** button. In the IP Address or DNS Name field, type the IP address of your printer, then click **Search** to locate and select your printer. If you do not know the IP address of the printer, refer to [Finding the IP Address of Your Printer](#) on page 34.

7. Click **Next**.
8. If desired, you can name your printer by typing a name in the **Queue Name** field.
9. If installing a print driver, make a print driver selection.
10. If installing a scan driver, make a scan driver selection.
11. Click **Install**.
12. If desired, set the printer as the default printer.

Note: Before selecting **Share Printer**, contact your system administrator.

13. To complete the installation, click **Finish**, then click **Close**.

Installing the Print Drivers for a Windows USB Printer

1. Insert the *Software and Documentation disc* into the appropriate drive on your computer.
If the installer does not start automatically, navigate to the drive, and double-click the **Setup.exe** installer file.
2. Click **Install Software**.
3. At the License Agreement, select **I Agree**, then click **Next**.
4. To install the printer support software, select **Software**, then click **Next**.
5. In the Software and Documentation window, clear the check box for any undesired options.
6. Click **Next**.
7. To complete the installation, click **Finish**.

Installing the Drivers and Utilities for Macintosh OS X

1. Insert the *Software and Documentation disc* into the appropriate drive on your computer.
Note: The latest print drivers are also available for download from www.xerox.com/office/VLB70XXdrivers.
2. Open Xerox® Print Drivers 3.xx.x.dmg/.pkg as needed for your printer.
3. To run Xerox® Print Drivers 3.xx.x.dmg/.pkg, double-click the appropriate file name.
4. When prompted, click **Continue**.
5. To accept the license agreement, click **I Agree**.
6. To accept the current installation location, click **Install**, or select another location for the installation files, then click **Install**.
7. If prompted, enter your password, then click **OK**.
8. From the list of discovered printers, select your printer, then click **Next**.
9. If your printer does not appear in the list of discovered printers:
 - a. Click the **Network Printer Icon**.
 - b. Type the IP address of your printer, then click **Continue**.
 - c. Select your printer in the list of discovered printers, then click **Continue**.
10. If your printer was not detected, verify that the printer is powered on and that the Ethernet or USB cable is connected properly.
11. To accept the print queue message, click **OK**.
12. Select or clear the **Set Printer as Default** and **Print a Test Page** check boxes.
13. Click **Continue**, then click **Close**.

Installing Drivers and Utilities for UNIX and Linux

For details on installing print drivers and utilities for UNIX and Linux, refer to [UNIX and Linux Printing](#) on page 121.

Installing the Printer as a Web Service on Devices

Web Services on Devices (WSD) allow a client to discover and access a remote device and its associated services across a network. WSD supports device discovery, control, and use.

To install a WSD printer using the Add Device Wizard:

1. At your computer, click **Start**, then select **Devices and Printers**.
2. To launch the Add Device Wizard, click **Add a Device**.
3. In the list of available devices, select the one you want to use, then click **Next**.

Note: If the printer you want to use does not appear in the list, click the **Cancel** button. Add the WSD printer manually using the Add Printer Wizard.

4. Click **Close**.

To install a WSD printer using the Add Printer Wizard:

1. At your computer, click **Start**, then select **Devices and Printers**.
2. To launch the Add Printer Wizard, click **Add a Printer**.
3. Click **Add a network, wireless, or Bluetooth printer**.
4. In the list of available devices, select the one you want to use, then click **Next**.
5. If the printer you want to use does not appear in the list, click **The printer that I want is not listed**.
6. Select **Add a printer using a TCP/IP address or hostname**, then click **Next**.
7. From the Device type field, select **Web Services Device**.
8. Enter the printer IP address in the Hostname or IP address field, then click **Next**.
9. Click **Close**.

More Information

You can obtain more information about your printer from these sources:

Resource	Location
<i>Installation Guide</i>	Packaged with the printer.
Other documentation for your printer	www.xerox.com/office/VLB70XXdocs
Technical support information for your printer; including online technical support, Online Support Assistant, and print driver downloads.	www.xerox.com/office/VLB70XXsupport
Information Pages	Print from the control panel. For details, refer to Information Pages on page 33.
Order supplies for your printer	www.xerox.com/office/VLB70XXsupplies
Local sales and Technical Customer Support	www.xerox.com/office/worldcontacts
Printer registration	www.xerox.com/office/register
Xerox® Direct online store	www.direct.xerox.com/

Customize and Personalize

3

This chapter includes:

- [Customize and Personalize Overview](#)54
- [Customizing or Personalizing the Home Screen](#).....55
- [Customizing or Personalizing the Apps](#)56

Customize and Personalize Overview

This chapter provides information on how to customize and personalize your device to meet the specific demands of your workflows.



You can Customize your Apps, hide, or show Apps on the Home screen, and rearrange the order to suit your job priorities. For each App, you can hide or show individual features and configure default settings to meet the needs of your workgroup. You can save job settings for repeated use.

Customization enables users to work more productively.



When individual user accounts are configured on the device, you can Personalize the device to meet specific user needs. You can configure your personal Home page to hide or show only the Apps you use. Each of the feature lists can be tailored to your job requirements. Default settings for each app can be specified, and settings for regular jobs can be saved for your use.

Personalization options ensure that the features and functions displayed meet individual user needs, improving efficiency.

Customizing or Personalizing the Home Screen

To hide or show an App on the Home screen:

1. At the printer control panel, press the **Home** button.
2. Touch **Customize**.
3. To display an installed App that is hidden initially:
 - a. Touch the plus icon (+).
 - b. Touch the App that you want to appear on the control panel.
 - c. Touch **Done**.
4. To hide an installed App:
 - a. For the desired App, touch **X**.
 - b. Touch **Done**.
5. Verify that only the desired Apps appear on the Home screen.

To rearrange Apps on the Home screen:

1. At the printer control panel, press the **Home** button.
2. Touch **Customize**.
3. Touch and hold the required app.
4. Drag the app to the new location.
5. Release the app.
6. Touch **Done**.
7. Verify that the apps appear in the correct location on the Home screen.

Customizing or Personalizing the Apps

Customization enables you to modify the features available, delete a saved preset, or remove customized settings applied to an App.

Customizing or Personalizing the Feature List

To customize an App Features list:

1. At the printer control panel, press the **Home** button.
2. Touch the App required.
3. Scroll to the bottom of the Entry Screen, then touch **Customize**.
4. Touch **Feature List**.

Note: For logged-in administrators, a window appears that asks you to confirm if the changes are for a Guest or for you.

5. Touch the desired option.
 - To hide a feature, for the required feature, touch the **Eye** icon. To signify that the feature is hidden, the Eye icon appears with a line across it.
 - To show a feature, for the required feature, touch the **Eye** icon. To signify that a feature is visible, the Eye icon appears with no line across it.
6. To reorder the menu features, touch and drag the features into the needed order.
7. To save the current configuration, touch **Done**.

Customizing or Personalizing the Entry Screen

The Entry Screen appears when the Fax, Email, or Scan To Apps are selected. The Entry Screen provides options for entering recipient or destination details for a job. You can use this procedure to choose the options that appear on the Entry Screen.

To customize the Entry Screen for an App:

1. At the printer control panel, press the **Home** button.
2. Touch the App required.
3. Scroll to the bottom of the Entry Screen, then touch **Customize**.
4. Touch **Entry Screen**.
5. Touch the needed options.

Note: For logged-in administrators, a window appears that prompts you to confirm if the changes are for a Guest or for you.

6. To save the current configuration, touch **Done**.

Saving Presets

You can use this feature to save a particular combination of App settings for future jobs. You can save the settings with a name and retrieve them for later use.

To save the current App settings:

1. At the printer control panel, press the **Home** button.
2. Touch the App required.
3. Select the job settings.
4. Scroll to the bottom, then touch **Save**.
5. Touch **Save as New Preset**.
6. Touch **Enter Preset Name**, then to enter a preset name, use the keypad.
7. Touch **Next**.
8. Select an icon that best suits the preset that you are creating.
9. Touch **Done**.

Note: The preset is stored within the Preset feature.

Deleting a Saved Preset

To delete a saved preset:

1. At the printer control panel, press the **Home** button.
2. Touch the App required.
3. Scroll to the bottom, then touch **Customize**.
4. Touch **Presets**.
5. Touch the **Trash** icon that corresponds with the preset that you want to delete.
6. At the prompt, touch **Delete**.
7. Touch **Done**.

Removing App Customization

To remove the current App customization settings:

1. At the printer control panel, press the **Home** button.
2. Touch the App required.
3. Scroll to the bottom, then touch **Customize**.
4. Touch **Remove App Customization**.
5. At the prompt, touch **OK**.

Note: For logged-in administrators, a window appears that prompts you to confirm if the changes are for a Guest or for you.

Customizing App Default Settings

To customize the App default settings:

1. At the control panel, press the **Home** button.
2. Touch the App required.
3. Configure the required default settings.
4. Touch **Save**.
5. Touch **Save Defaults**. The new settings override the previous default settings.

Xerox® Apps

4

This chapter includes:

- Xerox® App Gallery.....60
- Device.....65
- Address Book69
- Jobs74
- Copy.....81
- ID Card Copy92
- Email.....93
- Scan To95
- Fax.....102
- USB.....112

Xerox® Apps are a gateway to the features and functions of your device. There are standard Apps already installed and displayed on the Home screen. There are Apps that are installed as standard but are hidden when your device is used for the first time.

For details about Customizing the Home screen and the Apps features, refer to [Customize and Personalize](#) on page 53.

A range of Apps are available for download and installation from the Xerox® App Gallery. These include Xerox® Extensible Interface Platform (EIP) Apps. EIP Apps enable you to install secure, signed apps on compatible printers.

Xerox® App Gallery

This section includes:

- [Xerox® App Gallery Overview](#)60
- [Setting up the Xerox® App Gallery](#)60
- [Accessing the Xerox® App Gallery](#)61
- [Installing or Updating an App from the Xerox® App Gallery](#)63
- [Logging out of your App Gallery Account](#)64

Xerox® App Gallery Overview



Use the Xerox® App Gallery to find Apps that provide new features or capabilities for your device. The Xerox® App Gallery provides direct access to Apps that can improve your productivity, simplify workflows, and enhance your user experience.

The Xerox® App Gallery allows you to browse and update apps easily. You can browse through the app library without logging in. The moving banner provides an active display of apps, or you can scroll through the full list of apps. To get more details on an app, touch an app name in the list.

To use the Xerox® App Gallery App, ensure that your device uses either the wireless or the wired network connection.

Note: If a local server inside a firewall hosts your device and a proxy is enabled, set a proxy exception at the device.

For more information and instructions on using the Xerox® App Gallery, refer to the *Xerox® App Gallery User Guide* available at www.xerox.com/XeroxAppGallery.

Setting up the Xerox® App Gallery

The first time that any App Gallery user logs in to the Xerox® App Gallery from the control panel, the Xerox® App Gallery software updates.

- If you already have a Xerox® App Gallery Account, to log in to the software and initiate the software update, refer to [Logging in to the App Gallery for the First Time](#) on page 61.
- If you do not yet have a Xerox® App Gallery Account, to request an account, refer to [Creating an App Gallery Account for the First Login](#) on page 61.

Creating an App Gallery Account for the First Login

1. At the printer control panel, press the **Home** button.
2. Touch **Xerox® App Gallery**.
3. On the Login page, touch **Request an Account**.

Note: The keypad covers the Request an Account link. Minimize the keypad or, to close the keypad and access the link, touch outside the text box.
4. Enter a valid email address using the touch screen keypad, then touch **Enter**.
A message appears stating that completion instructions have been sent to the email address that you entered. Touch **Close**.
5. Access the email account for the email address that you provided to the Xerox® App Gallery.
6. Open the account request email, then click the URL link provided to access the create account page. Click **Agree**.
7. Review and accept the Terms of Use. To continue creating an account, click **Agree**.
8. Enter the information required into the appropriate fields:
 - User ID
 - Password
 - Confirm Password
 - First and Last Name
 - Company Name
 - Country
9. Click **OK**.
After the account is created, a confirmation message appears.
10. At the printer control panel, log in to your App Gallery Account.

Logging in to the App Gallery for the First Time

To log in to the App Gallery Account for the first time from the control panel:

1. At the printer control panel, press the **Home** button.
2. Touch **Xerox® App Gallery**.
3. On the Xerox® App Gallery Login page:
 - a. Enter your User Name using the touch screen keypad, then touch **Enter**.
 - b. Enter your Password using the touch screen keypad, then touch **Enter**.
4. Touch **Log In**. The Xerox® App Gallery opens.
The App Gallery software updates.

Accessing the Xerox® App Gallery

When you are logged in to the App Gallery, you can browse available apps, and install and update apps.

Creating a Xerox® App Gallery Account

With an App Gallery account, you have direct access to all the available Apps for your device. An App Gallery account allows you to view and acquire Apps, install Apps on your device, and manage your Apps and licenses.

You can set up an App Gallery account using the control panel or the Embedded Web Server. For information about accessing the Embedded Web Server, refer to [Getting Started](#) on page 34.

Note: If you have an existing Xerox App Gallery Account, refer to [Logging in to your App Gallery Account](#) on page 63.

To create an App Gallery account using the control panel:

1. At the printer control panel, press the **Home** button.
 2. Touch **Xerox® App Gallery**.
 3. Do one of the following:
 - On the blue scrolling panel, touch **Create an App Gallery Account Now**.
 - To log in, touch the **Person** icon. Touch the top of the Login page, then touch **Request an Account**.
- Note:** The keypad covers the Request an Account link. To reveal the Request an Account link, touch the top of the Login page, or minimize the keypad.
4. Enter a valid email address using the touch screen keypad, then touch **Enter**.
A message appears stating that completion instructions have been sent to the email address that you entered. Touch **Close**.
 5. Access the email account for the email address that you provided to the Xerox® App Gallery.
 6. Open the account request email, then click the URL link provided to access the create account page. Click **Agree**.
 7. Review and accept the Terms of Use. To continue creating an account, click **Agree**.
 8. Enter the information required into the appropriate fields:
 - User ID
 - Password
 - Confirm Password
 - First and Last Name
 - Company Name
 - Country
 9. Click **OK**.
After the account is created, a confirmation message appears.
 10. At the printer control panel, log in to your App Gallery Account.

Logging in to Your App Gallery Account

Note: If this is the first log in from this device, refer to [Logging in to the App Gallery for the First Time](#) on page 61.

To log in to your App Gallery Account:

1. At the printer control panel, press the **Home** button.
2. Touch **Xerox® App Gallery**. The App Gallery opens.

Note: You can browse the App Gallery and view app descriptions without being logged in. To download or update apps, you must be logged in to the App Gallery.

3. Touch the **Person** icon.
 - a. Enter your User Name using the touch screen keypad, then touch **Enter**.
 - b. Enter your Password using the touch screen keypad, then touch **Enter**.

Installing or Updating an App from the Xerox® App Gallery

Xerox® Apps add, extend, or customize the functionality of your device. You can use the Xerox® App Gallery to browse and install apps at your device control panel.

Installing an App from the App Gallery

To install an app from the App Gallery:

1. At the printer control panel, press the **Home** button.
2. Touch **Xerox® App Gallery**. The App Gallery opens.

Note: You can browse the App Gallery and view app descriptions without being logged in. To download or update apps, you must be logged in to the App Gallery.

3. Touch the **Person** icon.
 - a. Enter your User Name using the touch screen keypad, then touch **Enter**.
 - b. Enter your Password using the touch screen keypad, then touch **Enter**.
4. Touch the desired app, then touch **Install**. The License Agreement appears.
5. Touch **Agree**. The installation process begins.
If the app does not install successfully, to attempt the installation process again, touch **Install**.
6. To exit the app, touch **X**.

Updating an App from the App Gallery

To update an app from the Xerox® App Gallery:

1. At the printer control panel, press the **Home** button.
2. Touch **Xerox® App Gallery**. The App Gallery opens.

Note: You can browse the App Gallery and view app descriptions without being logged in. To download or update apps, you must be logged in to the App Gallery.

3. Touch the **Person** icon.
 - a. Enter your User Name using the touch screen keypad, then touch **Enter**.
 - b. Enter your Password using the touch screen keypad, then touch **Enter**.
4. Touch **Installed**. The list shows all installed apps, and any apps eligible for update. You can update apps individually or all apps at once. Touch the desired app, then touch **Update** or **Update All**. The License Agreement appears for each app.
5. To accept the license agreements, touch **Agree** for each app.
6. When the update completes, the apps are shown in the list of Installed Apps.
7. To exit the App, touch **X**.

Logging out of your App Gallery Account

To log out of your Xerox® App Gallery account:

1. Touch the **Person** icon.
2. Touch **Logout**.

Device

This section includes:

- [Device Overview](#)65
- [About](#).....66
- [Supply Status](#).....66
- [Billing and Usage Counters](#).....67
- [Reset to Factory Defaults](#).....68
- [Remote Services](#).....68

Device Overview















The Device App gives you access to information about your printer, including the serial number and model. You can view the status of the paper trays, billing and supplies information, and print information pages.

Many Device options can be configured to meet your individual needs. For details about configuring all of the Device settings, refer to the *System Administrator Guide* at www.xerox.com/office/VLB70XXdocs.

Device Options

The following Device options are available:

Option	Description	
	Language	Language allows you to set the language that appears on the control panel display.
	About	The About option provides an overview of your device and its current settings and status. You can access information pages and reports using this option.
	Software Update	Use this option to check for software updates and configure update settings.
	Notifications	Use the Notifications option to see details of any current alerts or faults on the device. A History button displays fault codes and the date they occurred on the device.
	Paper Trays	Use the Paper Trays option to see the paper size, type, and color set for each paper tray and the tray-capacity status.

Option	Description	
	Supplies	Use the Supplies section to monitor the status of the components you can replace. The supply level and estimated number of impressions or days left for each unit is displayed.
	Billing/Usage	Use the Billing/Usage option to view the serial number and the total number of impressions made by your device.
	General	Use the General option to customize settings such as the power-save modes, date and time, and control panel brightness. You can configure the General settings using the device control panel, or by using the Embedded Web Server.
	Apps	Use Apps to select settings for the Apps installed on your device.
	Connectivity	Use the Connectivity option to configure network settings at the control panel, or join another wireless network.
	Support	Use this option to access and print the Support Pages to assist with troubleshooting errors.
	Resets	Use the Resets option to reset device settings and font, forms, and macros to the factory-default settings.

For details on configuring the printer settings, refer to the *System Administrator Guide* at www.xerox.com/office/VLB70XXdocs.

About

The About option provides an overview of your device and its current settings and status. You can view the device serial number, and access information pages and reports.

Supply Status

You can check the status and percentage of life remaining for your printer supplies at the control panel or from the Embedded Web Server. When printer supplies near their replacement time, warning alerts appear on the control panel. You can customize the alerts that appear on the control panel and configure email alert notifications.

To check the supplies status at the control panel:

1. To view status information for the printer supplies, touch **Device > Supplies**.
2. To view details about a specific item, including its part number for reordering, touch the desired item.
3. To return to the Supplies screen, touch **X**.
4. To return to the Device screen, touch the back arrow.

To customize supplies alert settings:

1. To customize the alerts that appear for printer supplies, touch **Device > Supplies > Alerts Setup**.
2. To enable supplies alerts, touch the **Enable Alerts** toggle button.
3. To configure the printer to display an alert when an item reaches a specific usage percentage level, touch the item, then select the percentage.
4. To customize the alerts for each supply item, to enable or disable an alert, touch the toggle button.
5. After you have completed all alerts, touch **OK**.
6. To return to the Device screen, touch the back arrow.

To set up email alerts:

1. To set up alerts to send to an email address, touch **Device > Supplies > Email Alerts**.
2. To enter an email address, touch **Add Email**, then touch **Enter Email Address**.
3. Use the touch screen keyboard to enter an email address, or select an entry from the Address Book, then touch **OK**.
4. Add more email addresses if necessary.
5. To customize the alerts for each supply item, to enable or disable an alert, touch the toggle button.
6. To exit the menu, touch **OK**.
7. To return to the Device screen, touch the back arrow.

To check the supplies status and set up alerts using the Embedded Web Server, refer to the System Administrator Guide at www.xerox.com/office/VLB70XXdocs.

Billing and Usage Counters

The Billing/Usage menu displays the total number of impressions that the printer generated or printed during its lifetime. You cannot reset the counters. A page is counted as one side of a sheet of paper. For example, a sheet of paper that is printed on two sides counts as two impressions.

To view the Billing and Usage Counters:

1. At the printer control panel, press the **Home** button.
2. Touch **Device > Billing/Usage**.
3. To view more details, touch **Usage Counters**, then select an option.
 - **Impression Counters:** This option provides the number of impressions made by the printer. The number of impressions cannot equal the number of sheets counted, depending on the printer setup. If your printer is set up to count large sheets as large impressions or as multiple smaller impressions, the number of impressions can differ.
 - **Sheet Counters:** This option provides the number of impressions made by the printer. Impressions for 2-Sided sheets are identified as a separate line from 1-Sided sheets.
 - **Images Sent Counters:** This option provides the number of images sent using the Fax, Email, or Scan features.
 - **Fax Impressions Counters:** This option provides the number of images sent using the Fax features. Each fax feature is identified on a separate line.
 - **All Usage Counters:** This option provides all of the printer usage information.
4. After viewing the usage readings, to return to the Home screen, press the **Home** button.

Reset to Factory Defaults

The non-volatile memory (NVRAM) stores printer settings, even after the power is turned off. The Reset to Factory Defaults feature erases all settings and returns the printer to original factory state. All jobs, presets, Apps, and device settings are reset. If the printer includes a hard disk, the disk is reinitialized. When complete, the printer restarts, then displays the Install Wizard.

To reset the printer to factory defaults:

1. At the printer control panel, press the **Home** button.
2. Touch **Device > Resets > Reset to Factory Defaults**.
3. At the prompt, touch **Reset**.
4. When the process is complete, the printer restarts automatically.

Remote Services

You can use the Remote Services option in the Embedded Web Server to send error and usage information to the Xerox support team to help them resolve problems quickly.

For information about enabling Remote Services and uploading information to Xerox, refer to the *System Administrator Guide* at www.xerox.com/office/VLB70XXdocs.

Address Book

This section includes:

- [Address Book Overview.....69](#)
- [Editing the Address Book.....69](#)
- [Managing Favorites.....73](#)

Address Book Overview



Use the Device Address Book to create individual contacts or group contacts for use with the Email, Fax, and Scan To Apps. Contacts can be added to the Device Address Book using the control panel or the Embedded Web Server.

The Device Address Book stores a maximum of 2000 contacts. If the Create New Contact button is unavailable, the address book has reached its capacity.

Before you can use this feature, the System Administrator must enable users to view and manage the Device Address Book.

Editing the Address Book

You can create and save contact information for individual contacts or groups. You can manage address book contacts at the control panel, or in the Embedded Web Server.

Adding or Editing Address Book Contacts at the Control Panel

To add contacts:

1. At the printer control panel, press the **Home** button.
2. Touch **Address Book**.
3. Touch the plus icon (+), then select **Add Contact**.
4. To enter a name, touch the **Enter First Name**, **Enter Last Name**, or **Enter Company** field, then enter the information. To move to the next field, touch **Next**. When finished, touch **Enter**.

5. Enter the contact details:
 - To add an email address to the contact, touch **Add Email**. Enter an email address, then touch **Enter**.
 - To add a fax number to the contact, touch **Add Fax**. Enter a fax number, then touch **Enter**.
 - To add an SMB scan location, touch **Add SMB**. Browse to the proper location, enter any required information, then touch **Enter**.
 - To add an FTP scan location, touch **Add FTP**. Browse to the FTP location or enter the FTP address, then touch **Enter**.

Note: If authentication is required for scan locations, enter a valid login name and password.

6. To mark the email address or fax number as a favorite, touch the **Star** icon.
7. To save the contact, touch **OK**.
8. To return to the Home screen, press the **Home** button.

To edit or delete contacts:

1. At the printer control panel, press the **Home** button.
2. Touch **Address Book**.
3. From the Address Book, touch a contact name, then touch **Edit**.
4. To change contact information, touch the information that you want to update, edit as needed, then touch **OK**.
5. To delete a contact, touch **Delete Contact**, then touch **Delete**.
6. To return to the Home screen, press the **Home** button.

Adding or Editing Groups in the Address Book at the Control Panel

To add groups:

1. At the printer control panel, press the **Home** button, then touch **Address Book**.
2. Touch the Plus icon (+), then select **Add Group**.
3. Select the group type, enter a name for the group, then touch **Enter**.
4. To add group members, touch **Add Member**.
5. To add a contact name, from the Favorites or Contacts menu, select a contact.
6. To add more group members, touch **Add Member**, then select a contact.
7. To mark the group as a favorite, touch the Star icon.
8. To save the group, touch **OK**.
9. To return to the Home screen, press the **Home** button.

To edit or delete groups:

1. At the printer control panel, press the **Home** button.
2. Touch **Address Book**.
3. From the Address Book, select a group, then touch **Edit**.
4. To add group members, touch **Add Member**.
5. To add a contact, from the Favorites or Contacts menu, select a contact.
6. To add more group members, touch **Add Member** and select a contact.
7. To remove group members, for each contact, touch the **Trash** icon. At the prompt, touch **Delete**.
8. To save the changes, touch **OK**.
9. To delete the group, touch **Delete Group**, then touch **Delete**.
10. To return to the Home screen, press the **Home** button.

Adding or Editing Address Book Contacts in the Embedded Web Server

To add contacts:

1. At your computer, open a Web browser. In the address field, type the IP address of the printer, then press **Enter** or **Return**.
2. In the Embedded Web Server, click **Address Book**.
3. Click **Add Contact**.
4. To enter a name, click the **First Name**, **Last Name**, or **Company** field, then enter the details.
5. Enter the contact details.
 - To add an email address to the contact, for Email, click the plus (+), then enter an email address. Click **OK**.
 - To add a fax number to the contact, for Fax, click the plus icon (+), then enter a fax number. Click **OK**.

Note: For information on using character codes to control dialing behavior, click **Special Characters**.

 - To add an SMB scan location, for Network (SMB), click the plus icon (+), then enter the SMB details. Click **OK**.
 - To add an FTP scan location, for FTP, click the plus icon (+), then enter the FTP details. Click **OK**.
6. To mark the email address or fax number as a favorite, touch the **Star** icon.
7. To save the contact, click **OK**.

To edit or delete contacts:

1. At your computer, open a Web browser. In the address field, type the IP address of the printer, then press **Enter** or **Return**.
2. In the Embedded Web Server, click **Address Book**.
3. From the Address Book, select a contact.
4. To edit contact information, perform the following steps.
 - a. Click the contact name or contact information, then edit as needed.
 - b. To clear contact information, for the specific contact information, click the **Trash** icon.
 - c. To save the changes, click **OK**.
5. To remove the selected contact from the Address Book, click **Delete**. At the prompt, click **Delete**.

Adding or Editing Groups in the Address Book in the Embedded Web Server

To add groups:

1. At your computer, open a Web browser. In the address field, type the IP address of the printer, then press **Enter** or **Return**.
2. In the Embedded Web Server, click **Address Book**.
3. Click **Add Group**.
4. For **Enter Group Name**, enter a name for the group.
5. From the menu, select the group type.
6. To add group members, for Members, click the plus icon (+).
7. To add contacts to the group, in the Add Members window, for each contact, select the check box. When you are finished, click **OK**.
8. To save the group, click **OK**.

To edit or delete groups:

1. At your computer, open a Web browser. In the address field, type the IP address of the printer, then press **Enter** or **Return**.
2. In the Embedded Web Server, click **Address Book**.
3. Within the address book, select a group.
4. To add group members:
 - a. For Members, click the plus icon (+).
 - b. In the Add Members window, click the check box for each desired member.
 - c. To save the changes, click **OK**.
5. To remove group members:
 - a. For the desired member, click the **Trash** icon.
 - b. At the prompt, click **Delete**.
 - c. Repeat the previous two steps for each member.
 - d. To save the changes, click **OK**.
6. To remove the selected group from the Address Book, click **Delete**. At the prompt, click **Delete**.

Advanced Settings

The Advanced option provides more settings for importing and exporting contact details and managing contacts. You can use the Advanced option to set up a directory service.

For details about the Advanced options, refer to the *System Administrator Guide* at www.xerox.com/office/VLB70XXdocs.

Managing Favorites

You can mark contacts as Favorites. A star next to a contact in the list indicates a Favorite. You can mark a favorite as a Global Favorite for all services or as a Favorite for email, fax, or scan-to destinations.

Managing Favorites at the Control Panel

1. At the printer control panel, press the **Home** button, then touch **Address Book**.
2. Select a contact, then touch **Edit**.
3. To make the contact a Global Favorite, for the contact name, touch the **Star** icon.
4. To mark a contact as a Favorite for email, fax, or a scan-to destination:
 - a. For each desired feature, touch the **Star** icon.
 - b. To save changes, touch **OK**.
5. To clear a contact marked as a Favorite:
 - a. To remove the contact as a Global Favorite, for the contact name, touch the **Star** icon.
 - b. To remove the contact from the Favorite list for a selected feature, for the selected feature, touch the **Star** icon.
 - c. To save changes, touch **OK**.
6. To return to the Home screen, press the **Home** button.

Managing Favorites in the Embedded Web Server

1. In the Embedded Web Server, click **Address Book**.
2. Select a contact.
3. To make the contact a Global Favorite, click the Global Favorite **Star** icon.
4. To mark a contact as a Favorite for email, fax, or a scan-to destination, for each feature, click the **Star** icon.
5. To remove a contact marked as a Favorite, for Global Favorite or the selected feature, touch the **Star** icon. The contact is removed from the Global Favorite list, or the Favorite list for the selected feature.
6. To save changes, click **OK**.

Jobs

This section includes:

- [Jobs Overview](#).....74
- [Managing Jobs](#).....74
- [Managing Special Job Types](#).....75
- [Managing Jobs using the Embedded Web Server](#).....80

Jobs Overview



Use Jobs to view current jobs, print saved, personal, and secure jobs, and view details of completed jobs. You can pause, delete, print, or view job progress or job details for a selected job.

Managing Jobs

From the control panel Jobs menu, you can view lists of active jobs, secure jobs, or completed jobs. You can pause, delete, print, or view job progress or job details for a selected job. From the Jobs window in the Embedded Web Server, you can view a list of active and completed print jobs. For more details, refer to [Managing Jobs using the Embedded Web Server](#) on page 80.

A print job can be held by the printer when it is unable to complete a print job. For example, it needs attention, paper, or supplies. When the condition is resolved, the printer automatically resumes printing. When you send a secure print job, the job is held until you release it by typing a passcode at the control panel. For more details, refer to [Managing Special Job Types](#) on page 75.

To pause the print job with the option to delete it:

1. At the printer control panel, press the **Home** button.
2. Touch **Jobs**, then touch the name of the desired print job.
3. Do one of the following:
 - To pause the print job, touch **Pause**. To resume the print job, touch **Resume**.
 - To delete the print job, touch **Delete**. At the prompt, touch **Delete**.

Note: If you do not make a selection within 60 seconds, the job automatically resumes.

4. To return to the Home screen, press the **Home** button.

To view, print, or delete saved and secure jobs:

1. At the printer control panel, press the **Home** button.
2. To view a list of active and completed jobs, touch **Jobs**.
3. To view a list of specific job types, touch an option.
 - To view Saved Jobs, touch **Saved Jobs**. To print the job, touch the job, enter the quantity, then touch **OK**. To delete the job, touch the **Trash** icon, then touch **Delete**.
 - To view Personal jobs, touch **Personal & Secure Jobs**. To print the jobs, touch the folder, then touch **Print All**, or **Delete All**.
 - For Secure Jobs, touch **Personal & Secure Jobs**. Touch the folder, enter the passcode number, then touch **OK**. To print a Secure Job, touch the job. To print or delete all the jobs in the folder, touch **Print All**, or **Delete All**.
4. To view details about a job, touch the job.
5. To return to the Home screen, press the **Home** button.

Notes:

- The system administrator can restrict users from deleting jobs. If a system administrator has restricted job deletion, you can view the jobs, but not delete them.
- Only the user that sent the job or the system administrator can delete a Secure Print job.

To print a job held for resources:

1. At the printer control panel, press the **Home** button.
2. Touch **Jobs**.
3. From the jobs list, touch the held job name. The resources required for the job appear on the control panel.
4. Do one of the following:
 - To print the job, replenish the resources required. The job resumes automatically when the required resources are available. If the job does not print automatically, touch **Resume**.
 - To delete the print job, touch **Delete**. At the prompt, touch **Delete**.
5. To return to the Home screen, press the **Home** button.

Managing Special Job Types

Special job types allow you to send a print job from your computer, then print it from the printer control panel. Select special job types in the print driver, Printing Options tab, under Job Type.

Saved Job

Saved Jobs are documents sent to the printer and, unless deleted, are stored there for future use. Any user can print or delete a Saved Job.

To print a Saved Job:

1. In your software application, access the print settings. For most software applications, press **CTRL+P** for Windows or **CMD+P** for Macintosh.
2. Select your printer, then open the print driver.
 - For Windows, click **Printer Properties**. Depending on your application, the title of the button can vary.
 - For Macintosh, open the Print dialog, then click **Show Details**. Click the application menu for your current application, then select **Xerox Features**.
3. For Job Type, select **Saved Job**.
4. Type a job name or select a name from the list, then click **OK**.
5. Select any other required printing options.
 - For Windows, click **OK**, then click **Print**.
 - For Macintosh, click **Print**.

To release a Saved Job:

1. At the printer control panel, press the **Home** button.
2. Touch **Jobs**.
3. To view Saved Jobs, touch **Saved Jobs**.
4. To print a Saved Job, touch the job name, enter the quantity, then touch **OK**.
5. To delete the document after printing, for that job, touch the **Trash** icon, then at the prompt, touch **Delete**.
6. To return to the Home screen, press the **Home** button.

Secure Print

Use Secure Print to print sensitive or confidential information. After you send the job, it is held at the printer until you enter your passcode at the printer control panel.

To print using Secure Print:

1. In your software application, access the print settings. For most software applications, press **CTRL+P** for Windows or **CMD+P** for Macintosh.
2. Select your printer, then open the print driver.
 - For Windows, click **Printer Properties**. Depending on your application, the title of the button varies.
 - For Macintosh, open the Print dialog, then click **Show Details**. Click the application menu for your current application, then select **Xerox Features**.
3. For Job Type, select **Secure Print**.
4. Type the passcode, confirm the passcode, then click **OK**.
5. Select other required printing options.
 - For Windows, click **OK**, then click **Print**.
 - For Macintosh, click **Print**.

To release a Secure Print job:

1. At the printer control panel, press the **Home** button.
2. Touch **Jobs**.
3. To view Secure Print jobs, touch **Personal & Secure Jobs**.
4. Touch your folder.
5. Enter the passcode number, then touch **OK**.
6. Select an option:
 - To print a Secure Print job, touch the job.
 - To print all the jobs in the folder, touch **Print All**.
 - To delete a Secure Print job, touch the **Trash** icon, then at the prompt, touch **Delete**.
 - To delete all the jobs in the folder, touch **Delete All**.

Note: After a Secure Print job is printed, it is deleted automatically.

7. To return to the Home screen, press the **Home** button.

Personal Print

Personal Print allows you to store a document in the printer, then print it from the control panel.

Note: This feature is only available on a Windows computer printing to a network printer.

Personal Print is a type of saved job with these features:

- A Personal Print job appears in a folder named after the user ID associated with the print job.
- A Personal Print job does not use a passcode.
- Any user can print or delete a Personal Print job.
- You can print all jobs in the list at once, delete an individual job, or delete all jobs in the list.
- After a Personal Print job is printed, it is deleted automatically.

To print using Personal Print:

1. In your software application, access the print settings. For most software applications, click **File > Print** or for Windows, press **CTRL+P**.
2. Select your printer, then click **Printer Properties**. Depending on your application, the title of the button varies.
3. For Job Type, select **Personal Print**.
4. Select any other required printing options, then click **OK**.
5. To send the job to the printer, click **Print**.

To release a Personal Print job:

1. At the printer control panel, press the **Home** button.
2. Touch **Jobs**.
3. To view Personal Print jobs, touch **Personal & Secure Jobs**.
4. Touch your folder.
5. If prompted for a passcode, touch **Skip**.

Note: When your folder contains Secure Print jobs and Personal Print jobs, the passcode prompt appears.

6. Select an option.
 - To print a Personal Print job, touch the job.
 - To print all the jobs in the folder, touch **Print All**.
 - To delete all the jobs in the folder, touch **Delete All**.
7. To return to the Home screen, press the **Home** button.

Sample Set

The Sample Set job type prints one copy of a multiple-copy print job before printing the remaining copies. After reviewing the sample set, you can either print the remaining copies or delete them at the printer control panel.

Sample Set is a type of saved job with these features:

- A Sample Set job appears in a folder named after the user ID associated with the print job.
- A Sample Set job does not use a passcode.
- Any user can print or delete a Sample Set job.
- A Sample Set prints one copy of a job to allow you to proofread the job before printing any remaining copies.

After a Sample Set job is printed, it is deleted automatically.

To print using Sample Set:

1. In your software application, access the print settings. For most software applications, press **CTRL+P** for Windows or **CMD+P** for Macintosh.
2. Select your printer, then open the print driver.
 - For Windows, click **Printer Properties**. Depending on your application, the title of the button varies.
 - For Macintosh, open the Print dialog, then click **Show Details**. Click the application menu for your current application, then select **Xerox Features**.
3. For Job Type, select **Sample Set**.
4. Select other required printing options.
 - For Windows, click **OK**, then click **Print**.
 - For Macintosh, click **Print**.

To release a Sample Set:

1. At the printer control panel, press the **Home** button.
2. To view available jobs, touch **Jobs**.
3. Touch the Sample Set job.

Note: The Sample Set file description shows the job as Held for Future Printing, and shows the number of remaining copies of the job.

4. Select an option.
 - To print the remaining copies of the job, touch **Release**.
 - To delete the remaining copies of the job, touch **Delete**.
5. To return to the Home screen, press the **Home** button.

Managing Jobs using the Embedded Web Server

You can view a list of active jobs and delete print jobs from the Active Jobs list in the Embedded Web Server. You can use the Embedded Web Server to submit jobs for printing at the device. You can print .pdf, .ps, .pcl, .prn, .xps, .jpg, .tif and .txt files directly from the Embedded Web Server without opening another application or the print driver. The files can be stored on a local computer hard drive, mass storage device, or network drive.

To manage jobs using the Embedded Web Server:

1. At your computer, open a Web browser. In the address field, type the IP address of the printer, then press **Enter** or **Return**.
2. In the Embedded Web Server, click **Jobs**.
3. Click the job name.
4. Do one of the following:
 - To pause the print job, click **Pause**. To resume the print job, click **Resume**.
 - To delete the print job, click **Delete**. At the prompt, click **Delete**.
5. To return to the Home screen, click **Home**.

To submit jobs for printing using the Embedded Web Server:

1. At your computer, open a Web browser. In the address field, type the IP address of the printer, then press **Enter** or **Return**.
2. In the Embedded Web Server, click **Home**.
3. In the Quick Links area, click **Submit File**.
4. Click the **Submit** field.
5. In the selection window, select a file to print, then click **Open**.
6. To print the document, click **Submit**.

Copy

This section includes:

- [Copy Overview](#)81
- [Making a Copy](#).....81
- [Copy Workflows](#).....84

Copy Overview



To make a copy, the device scans your original documents and temporarily stores the images. It then prints the images based on the options selected.

If Authentication or Accounting has been enabled on your device, enter your login details to access Copy features.

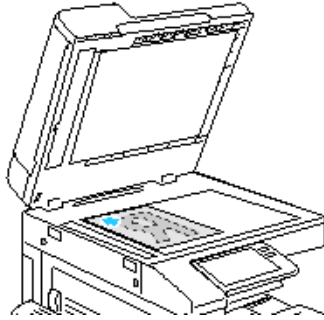
You can adjust various settings for individual Copy jobs and save settings as Presets for future jobs. The list of features can be customized, and some features could be hidden from view when the App is installed. To view all available features and to find out more about customizing the Copy App, refer to [Customize and Personalize](#) on page 53.

For information about all the App features and available settings, refer to [Apps Features](#) on page 277.

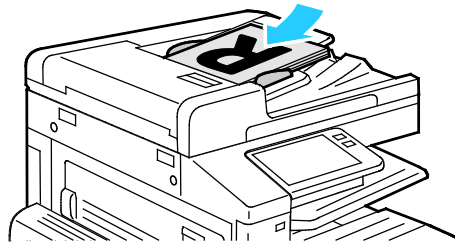
Making a Copy

To make a copy:

1. At the printer control panel, press the **Home** button.
2. To clear previous App settings, touch **Reset**.
3. Load your original documents.
 - Use the document glass for single pages or paper that cannot be fed using the duplex automatic document feeder. Lift the document feeder cover, then place the original document face down in the upper-left corner of the document glass.



- For single, multiple, or 2-sided pages, use the duplex automatic document feeder. Remove any staples and paper clips from the pages. Insert the original documents face up in the document feeder, with the top of the page entering the feeder first. Adjust the paper guides so that they fit against the original documents.



4. Touch **Copy**, then enter the number of copies needed.
Note: To amend the number of copies entered, touch the **X** button, then enter the required quantity.
5. If scanning from 2-sided original documents, touch **2-Sided**, then select an option.

6. Adjust copy settings as needed.
For details about available features, refer to [Apps Features](#) on page 277.
7. Touch **Start**. If you placed documents in the feeder, scanning continues until the feeder is empty.
8. If you are scanning from the document glass, when prompted, do one of the following:
 - To complete the job and return to the Copy app, touch **Done**.
 - To scan another page, load a new original document on the document glass, then touch **Add Page**.
 - To delete the scan and return to the Copy app, touch **Cancel Job**, then touch **Delete**.

Note: If you are scanning a document from the duplex automatic document feeder, a prompt does not appear.

9. To return to the home screen, press the **Home** button.

Copy Workflows

This section includes:

- [Changing the Page Layout](#)84
- [Adjusting Contrast Settings](#).....85
- [Book Copying](#)85
- [Shifting the Image](#).....85
- [Creating a Booklet](#).....86
- [Adding a Front Cover](#)87
- [Erasing the Edges of Copies](#)88
- [Printing a Sample Copy](#).....89
- [Adding Annotations](#).....90

Note: Some features are hidden from view when the Copy App is installed. For more information refer to [Customize and Personalize](#) on page 53.

Changing the Page Layout

You can use Page Layout to place a defined number of pages on one or both sides of the paper.

To change the page layout:

1. At the printer control panel, press the **Home** button.
2. Touch **Copy**.
3. Touch **Page Layout**.
4. Select the required number of pages per side.
5. To change the Original Orientation, touch **Page Layout**, then touch **More**. Select **Portrait** or **Landscape**.

Note: The Original Orientation option is only available when the selected number of pages per slide is 2, 4, or 8.

6. To change the Image Order, touch **Page Layout**, then touch **More**. Select one of the following options.
 - **Right then Down:** This option prints the images across the page, row by row.
 - **Down then Right:** This option prints the images down the page, column by column.

Note: The Image Order option is only available when the selected number of pages per slide is 4 or 8.

7. Touch **OK**.

Adjusting Contrast Settings

You can adjust the variation between light and dark areas of your copy using the Lighten/Darken feature. You can reduce the sensitivity of the printer to variations in light background colors using Auto Background Suppression.

To adjust the Auto Background Suppression and Image Darkness:

1. At the printer control panel, press the **Home** button.
2. Touch **Copy**.
3. To enable Auto Background Suppression, touch the **Auto Background Suppression** toggle button.
4. To adjust the Lightness or Darkness, touch **Lighten/Darken**, then move the slider to the desired level.
5. Touch **Start**.

Book Copying

You can use the Book Copying feature to copy books, magazines, or other bound documents. You can use this feature to copy images for different results.

- Copy either the left or right page onto a single sheet of paper.
- Copy both the left and right pages onto individual sheets of paper.
- Copy both the left and right pages as a single image onto one sheet of paper.
- Copy either the top or bottom page onto a single sheet of paper.
- Copy both the top and bottom pages onto individual sheets of paper.
- Copy both the top and bottom pages as a single image onto one sheet of paper.

Note: To make copies from books, magazines, or other bound documents, use the document glass only. Do not place bound original documents in the duplex automatic document feeder.

To set up book copying:

1. At the printer control panel, press the **Home** button.
2. Touch **Copy**.
3. Touch **Book Copying**.
4. Touch **Mode**, then select the typical page-reading order for the document, if needed. **Off** is the default setting.
5. Touch **Pages**, then select the pages that you want to copy.

Note: Available options vary, based on the Mode selection you have chosen.

6. To reduce the amount of white space in copies near the binding, touch **Binding Edge Erase**, then move the slider to the right to erase up to 50 mm (2 in).
7. Touch **OK**.

Shifting the Image

You can change the placement of an image on the copy page. This is useful if the image is smaller than the page size. For image shift to work correctly, position original documents as follows:

- **Document Feeder:** Position original documents face up, short edge entering the feeder first.
- **Document Glass:** Position original documents face down, in the upper-left corner of the document glass, short edge to the left.

To change the placement of the image:

1. At the printer control panel, press the **Home** button.
2. Touch **Copy**.
3. Touch **Image Shift**.
4. Select one of the following options.
 - **Off:** This option is the default setting.
 - **Auto Center:** This option centers the image on the page.
 - **Snap to Edge:** This option shifts the image to the edge of the document. Select one of the image-position options.
 - **Mirror Side 1:** This option allows you to set the Image Shift for Side 1, and matches the Side 2 Image Shift accordingly. To move the image to the required edge of the page, touch the appropriate arrow.
 - **Independent Sides:** This option allows you to position the images on Side 1 and Side 2 independently of each other. To move each image to the required edge of the page, touch the appropriate arrow.
 - **Manual:** This option allows you to specify the amount of Image Shift required. Select one of the image-position options.
 - **Mirror Side 1:** This option allows you to set the Image Shift for Side 1, and matches the Side 2 Image Shift accordingly. Touch the appropriate fields. To adjust the image shift, move the slider.
 - **Independent Sides:** This option allows you to position the images on Side 1 and Side 2 independently of each other. Touch the appropriate fields. To adjust the image shift, move the slider.
5. To specify the orientation of the original document, touch **Original Orientation**, then select an option.
6. Touch **OK**.

Creating a Booklet

The booklet feature reduces the original page images to fit two images on each side of the printed page. You can print copies in booklet format.

Note: In Booklet mode, the printer scans all the original documents before it prints the copies.

To create a booklet:

1. At the printer control panel, press the **Home** button.
2. Touch **Copy**.
3. Touch **Booklet Creation**.

Notes:

- If you adjusted the Reduce/Enlarge setting, a message appears, confirming that Reduce/Enlarge changed to Auto %.
 - If you set Paper Supply to Auto Select, a message appears, confirming that Paper Supply changed to Tray 1.
4. Touch the **Booklet Creation** toggle button.
 5. Touch **Original Document**, then select the option that matches your original documents.
 - **1-Sided Original:** This option scans only one side of the original image and produces 1-sided output files.
 - **2-Sided Original:** This option scans both sides of the original image.
 - **2-Sided, Rotate Side 2:** This option scans both sides of the original image, rotating the second side.
 6. If a cover sheet is required, touch the **Cover** toggle button, then adjust **Paper Supply** and **Print On Cover** as needed.
 7. To increase or reduce the amount of white space in the margin between the two pages, touch **Gutter Margin**, then touch the plus icon (+) or the minus icon (-).
 8. To print booklets containing an odd number of pages, touch **Odd Page Management**. To specify the location of extra blank pages, touch **Blank Page Front** or **Blank Page Back**, as needed.
 9. To set the number of sheets in the booklet, touch the **Sheets per Signature** toggle button. To adjust the number of sheets, touch Plus (+) or Minus (-), as needed.
 10. Touch **OK**.

Adding a Front Cover

You can print the first page of your copy job on different paper, such as colored or heavyweight paper. The printer selects the special paper from a different tray. The cover can be blank or printed.

To add a front cover to your copy job:

1. At the printer control panel, press the **Home** button.
2. Touch **Copy**.
3. Touch **Front Cover**.
4. Touch the **Front Cover** toggle button.

Note: If Paper Supply is set to **Auto Select**, a notification appears confirming that the Paper Supply has been changed to Tray 1.

5. Touch **Printing Options**, then select an option.
 - **Blank:** This option inserts a blank front cover.
 - **Print on Side 1 Only:** This option prints on the front side of the cover only.
 - **Print on Side 2 Only:** This option prints on the back side of the cover only.
 - **Print on Both Sides:** This option prints on both sides of the cover.
6. Touch **Paper Supply**, then select the required paper source.
7. Touch **OK**.

Erasing the Edges of Copies

You can erase content from the edges of your copies using the Edge Erase feature. You can specify the amount to erase on the right, left, top, and bottom edges.

To erase the edges of copies:

1. At the printer control panel, press the **Home** button.
2. Touch **Copy**.
3. Touch **Edge Erase**.
4. Select one of the following options.
 - **All Edges:** This option erases all four edges by the same amount. To adjust the amount to erase, move the slider.
 - **Print to Edge:** This option prints to the edge of the paper.
 - **Individual Edges:** This option allows you to specify different amounts to erase from the edges. Select an erase option.
 - **Mirror Edges:** This option allows you to set the Edge Erase for Side 1, and matches the Side 2 Edge Erase accordingly. To adjust the edge erase, move the slider.
 - **Independent Edges:** This option allows you to set the Edge Erase on Side 1 and Side 2 independently of each other. Touch the appropriate field. To adjust the Edge Erase, move the slider.
5. To specify the orientation of the original document, touch **Original Orientation**, then select an option.
6. Touch **OK**.

Printing a Sample Copy

Sample Copy allows you to print a test copy of a job to inspect before printing multiple copies. This feature is useful for complex or high-volume jobs. After you print and inspect the test copy, you can choose to print or cancel the remaining copies.

To print a sample copy of your job:

1. At the printer control panel, press the **Home** button.
2. Touch **Copy**.
3. Adjust the copy settings as needed.
4. Enter the number of copies needed.
5. Touch the **Sample Copy** toggle button.
6. Touch the **Start** button. The sample copy prints.
7. Inspect the sample copy, then select one of the following options.
 - If the copy is unsatisfactory, touch **Delete**. The job is canceled and no more copies are printed.
 - If the copy is satisfactory, touch **Release**. The remaining copies are printed.
8. To return to the home screen, press the **Home** button.

Adding Annotations

You can use the Annotations feature to add a page number, comment, date, or Bates Stamp to your copies.

Note: If Booklet Creation is selected, you cannot add Annotations.

To add annotations:

1. At the printer control panel, press the **Home** button.
2. Touch **Copy**.
3. Touch **Annotations**.
4. To insert page numbers:
 - a. Select the required page location, then touch **Page Number**.
 - b. Enter the starting page number.
 - c. To adjust which pages contain the selected annotation, touch **Apply To**, then select **All Pages** or **All Pages Except First**.
 - d. Touch **OK**.
5. To insert a comment:
 - a. Select the required page location, then touch **Comment**.
 - b. Select the required entry, then touch **OK**.

Note: To create a comment, touch the edit icon for **Not in Use**. Enter the required text, then touch **OK**.

- c. To adjust which pages contain the selected annotation, touch **Apply To**, then select the required option.
- d. Touch **OK**.

6. To insert the current date:
 - a. Select the required page location, then touch **Date Stamp**.
 - b. Touch **Format**, then select the required date format.
 - c. To adjust which pages contain the selected annotation, touch **Apply To**, then select the required option.
 - d. Touch **OK**.
7. To insert a Bates Stamp:
 - a. Select the required page location, then touch **Bates Stamp**.
 - b. Touch **Prefix**, then select the required entry. Touch **OK**.

Note: To create a prefix, touch the edit icon for **Not in Use**. Enter the required text, then touch **OK**.

- c. Touch **Starting Number**. Enter the required starting number, then touch **OK**.
 - d. Touch **Number of Digits**, then select the required option.
 - e. To adjust which pages contain the selected annotation, touch **Apply To**, then select the required option.
 - f. Touch **OK**.
8. To change the text formatting, touch **Format & Style**. Adjust the settings as required, then touch **OK**.
9. Touch **OK**.
10. If necessary, to remove all entered annotations, touch **Delete All**.

Note: Not all annotations are available in all page locations.

ID Card Copy

This section includes:

- [ID Card Copy Overview](#)92
- [Copying an ID Card](#)92

ID Card Copy Overview



You can use the ID Card Copy App to copy both sides of an ID card or small document onto one side of paper. To copy the card properly, place each side in the upper-left corner of the document glass. The printer stores both sides of the document, then prints them side by side on the paper.

The ID Card Copy App is hidden from view on initial device setup. The list of features can be customized, and some features can be hidden from view. For more information about adding and customizing Apps, refer to [Customize and Personalize](#) on page 53.

For information about all the App features and available settings, refer to [Apps Features](#) on page 277.

Copying an ID Card

To copy an ID card:

1. At the printer control panel, press the **Home** button.
2. To clear previous App settings, touch **Reset**.
3. Lift the automatic document feeder, then place the original document in the upper-left corner of the document glass.
4. Touch **ID Card Copy**.
5. Adjust the settings as required.
6. Touch **Scan**.
7. When scanning is finished, lift the automatic document feeder. Flip the original document, then place it in the upper-left corner of the document glass.
8. To scan the second side of the original document and print the copies, touch **Scan**.
9. To return to the home screen, press the **Home** button.

Email

This section includes:

- [Email Overview](#)93
- [Sending a Scanned Image in an Email](#)93

Email Overview



You can use the Email app to scan images and attach them to emails. You can specify the file name and format of the attachment, and include a subject heading and message for the email.

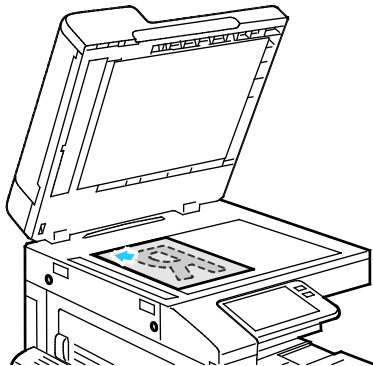
You can adjust various settings for individual Email jobs and save settings as Presets for future jobs. The list of features can be customized, and some features could be hidden from view when the App is installed. To view all available features and to find out more about customizing the Email App, refer to [Customize and Personalize](#) on page 53.

For information about all the App features and available settings, refer to [Apps Features](#) on page 277.

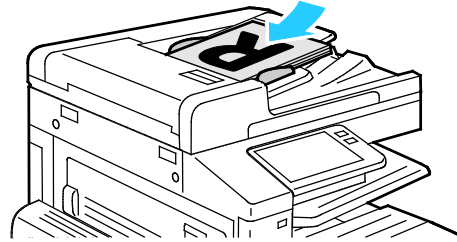
Sending a Scanned Image in an Email

To send a scanned image in an email:

1. At the printer control panel, press the **Home** button.
2. To clear previous App settings, touch **Reset**.
3. Load your original documents.
 - Use the document glass for single pages or paper that cannot be fed using the duplex automatic document feeder. Lift the document feeder cover, then place the original document face down in the upper-left corner of the document glass.



- For single, multiple, or 2-sided pages, use the duplex automatic document feeder. Remove any staples and paper clips from the pages. Insert the original documents face up in the document feeder, with the top of the page entering the feeder first. Adjust the paper guides so that they fit against the original documents.



4. Touch **Email**.
5. Enter recipients:
 - To enter the email address manually into the To field, type the address using the touch screen keypad. Touch **Enter**.
 - To select a contact or group from the Address Book, touch the **Address Book** icon. Touch **Favorites** or **Contacts**, then select a recipient.
6. If scanning from 2-sided original documents, touch **2-Sided Scanning**, then select an option.
7. Adjust the email settings as needed:
 - To save the scanned document with a specific file name, touch the attachment file name, enter a new name using the touch screen keypad, then touch **Enter**.
 - To save the scanned document with a specific file format, touch the attachment file format, then select the required format.
To create a searchable file or to add password protection, select **More** from the file format.
 - To change the subject line, touch **Subject**, enter a new subject line using the touch screen keypad, then touch **Enter**.
 - To change the email body message, touch **Message**, enter a new message, then touch **OK**.
8. To start the scan, touch **Send**.
9. If you are scanning from the document glass, when prompted, to finish, touch **Done**, or to scan another page, load a new original document on the document glass, then touch **Add Page**. You can also touch **Cancel Job**.

Note: If you are scanning a document from the duplex automatic document feeder, a prompt does not appear.

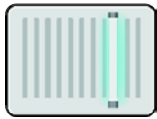
10. To return to the Home screen, press the **Home** button.

Scan To

This section includes:

- [Scan To Overview](#).....95
- [Scanning to an Email Address](#)95
- [Scanning to a User Home Folder](#)96
- [Scan to Desktop](#)97
- [Scanning to a Shared Folder on a Network Computer](#)98
- [Scanning Images into an Application on a Connected Computer](#)100

Scan To Overview



The Scan To feature provides several methods for scanning and storing an original document. The scanning procedure using your printer differs from that of desktop scanners. The printer is connected typically to a network rather than a single computer, so you select a destination for the scanned image at the printer.

The printer supports the following scanning functions:

- Scan original documents to an email address.
- Scan original documents to your home folder.
- Scan original documents to a shared network location using SMB and FTP transfer protocols.

The printer supports Scanning to and from a USB. For more information, refer to [USB](#) on page 112.

You can adjust various settings for individual Scan To jobs, and save settings as Presets for future jobs. You can customize the features list. When the Scan To App is installed, some features can be hidden from view. To view all available features and to find out more about customizing the Scan To App, refer to [Customize and Personalize](#) on page 53.

For information about all App features and available settings, refer to [Apps Features](#) on page 277.

Scanning to an Email Address

Before you scan to an email address, ensure that you configure the printer with the email server information. For details, refer to the *System Administrator Guide* at www.xerox.com/office/VLB70XXdocs.

To scan an image and send it to an email address:

1. Load the original document on the document glass or into the duplex automatic document feeder.
2. At the control panel, touch the **Home** button.
3. Touch **Scan To**.
4. Enter recipients.
 - To enter the email address manually, touch **Email**, then enter an email address. Touch **Enter**.
 - To select a contact or group from the Address Book, touch **Contacts** or **Favorites**.
5. To save the scanned document as a specific file name, touch the attachment file name. To enter a new name, use the touch screen keypad. Touch **Enter**.
6. To save the scanned document as a specific file format, touch the attachment file format, then select the required format.

Note: To make scanned documents searchable, your system administrator can enable the Searchable feature.

7. Adjust scanning options as needed.
8. To change the subject line, from Email Features, touch **Subject**. To enter a new subject line, use the touch screen keypad. Touch **Enter**.
9. To change the email body message, from Email Features, touch **Message**, then enter a new message. Touch **OK**.
10. To begin the scan, touch **Scan**.
11. If you are scanning from the document glass, when prompted to finish, touch **Done**. To scan another page, load a new original document on the document glass, then touch **Add Page**.

Note: If you are scanning a document from the duplex automatic document feeder, a prompt does not appear.

12. To return to the Home screen, press the **Home** button.

Scanning to a User Home Folder

Scan to Home allows you to scan documents that are saved to a home directory on an external server. The home directory is distinct for each authenticated user. The directory path is established through LDAP.

Before You Begin

To scan to the home folder defined in an LDAP directory, first ensure that the home folder locations are defined for each user.

If you want to scan to a shared folder on the network, create a shared folder on your network with read and write access privileges.

Scanning to a Home Folder

Note: If LDAP Network Authentication is configured, the Home button appears as an option that you can select on the Scan To screen.

1. Load the original document on the document glass or into the duplex automatic document feeder.
2. At the printer control panel, press the **Home** button.
3. To log in to the printer, touch **Log In**.
4. Enter your user name, then touch **Next**.
5. Enter your password, then touch **OK**.
6. To scan to a home folder, select an option:
 - Touch **Scan To**. On the Scan To screen, touch **Home**.
 - Touch **My Folder**.
7. To save the scanned document as a specific file name, touch the attachment file name, enter a new name using the touch screen keypad, then touch **Enter**.
8. To save the scanned document as a specific file format, touch the attachment file format, then select the desired format.
9. Adjust scanning options as needed.
10. To begin the scan, press **Scan**.

If you are scanning from the document glass, when prompted, to finish, touch **Done**, or to scan another page, touch **Add Page**.

Note: If you are scanning a document from the automatic document feeder, a prompt does not appear.

11. To return to the Home screen, press the **Home** button.

Scan to Desktop

Before you begin:

- Before you scan, ensure that your computer and the printer are plugged in, powered on, and connected to an active network.
- On your computer, ensure that you have the correct print driver software installed. For details, refer to [Installing the Software](#) on page 47.
- On your printer, ensure that WSD is enabled. For details, refer the *System Administrator Guide* at www.xerox.com/office/VLB70XXdocs.

To Scan to Desktop:

1. Load the original document on the document glass or into the duplex automatic document feeder.
2. At the printer control panel, press the **Home** button.
3. Touch **Scan to Desktop**.
4. To select a destination, touch the computer address.
5. To begin the scan, press **Scan**.
The Windows Fax and Scan application opens on your PC desktop. The image file of your scan is saved to the Scanned Documents folder.
6. If you are scanning from the document glass, when prompted, to finish, touch **Done**, or to scan another page, touch **Add Page**.
Note: If you are scanning a document from the automatic document feeder, a prompt does not appear.
7. To return to the Home screen, press the **Home** button.

Scanning to a Shared Folder on a Network Computer

Before you can use the printer as a scanner on a network:

- Create a shared folder on your computer hard drive.
- Access the Embedded Web Server, then create an address that points the scanner to the computer.

Sharing a Folder on a Windows Computer

1. Open Windows Explorer.
2. Right-click the folder you want to share, then select **Properties**.
3. Click the **Sharing** tab, then click **Advanced Sharing**.
4. Select **Share this folder**.
5. Click **Permissions**.
6. Select the **Everyone** group, and verify that all permissions are enabled.
7. Click **OK**.
Note: Remember the Share name for later use.
8. Click **OK** again.
9. Click **Close**.

Sharing a Folder in Macintosh OS X Version 10.7 and Later

1. From the Apple menu, select **System Preferences**.
2. From the Internet & Wireless menu, select **Sharing**.
3. From the Service menu, select **File Sharing**.
4. Under Shared Folders, click the plus icon (+).
5. Browse to the folder that you want to share on the network, then click **Add**.
6. To modify access rights for your folder, select the folder. The groups activate.
7. From the Users list, click **Everyone**, then use the arrows to select **Read & Write**.
8. Click **Options**.
9. To share the folder, select **Share files and folders using SMB**.
10. To share the folder with specific users, next to the user name, select **On**.
11. Click **Done**.
12. Close the System Preferences window.

Note: When you open a shared folder, a Shared Folder banner appears in the Finder for the folder and subfolders.

Adding an SMB Folder as an Address Book Entry from the Embedded Web Server

1. At your computer, open a Web browser. In the address field, type the IP address of the printer, then press **Enter** or **Return**.

Note: If you do not know the IP address for your printer, refer to [Finding the IP Address of Your Printer](#) on page 34.
2. Click **Address Book**, then click **Add Contact**.
3. Add a contact name to identify the folder in the Address Book.
4. For Network (SMB), click the Plus icon (+), then enter the following information.
 - **Nickname:** Enter the SMB network nickname, if applicable.
 - **Type:** Select the network connection type.
 - **IP Address: Port:** Enter the IP address of your computer, then enter the default port number.
 - **Share:** Enter a name for the directory or folder. For example, to save scanned files to a shared folder named *scans*, type *scans*.
 - **Document Path:** Enter the path of the folder on the SMB server. For example, to save the scanned files to a folder named *colorscans* inside the *scans* folder, type *scans/colorscans*.
 - **Login Name:** Enter your computer user name.
 - **Password:** Enter your computer login password.
 - **Retype Password:** Enter your login password again.
5. To save your network information, click **OK**.
6. To save the contact, click **OK**.

Adding a Folder as an Address Book Entry Using the Control Panel

1. At the printer control panel, touch the **Home** button.
2. Touch **Address Book**.
3. Touch the plus icon (+), then select **Add Contact**.
4. Enter the name to appear in the address book.
5. Touch **Add (SMB)**, then navigate to the desired folder.
Note: Login credentials are required for computers on secured networks.
6. To save changes, touch **OK**.

Scanning to a Shared Folder on a Networked Computer

1. Load the original document on the document glass or into the duplex automatic document feeder.
2. At the printer control panel, press the **Home** button.
3. Touch **Scan To**.
4. Touch **Contacts**.
5. From the Contacts list, select the shared folder.
6. To save the scanned document as a specific file name, touch the attachment file name, enter a new name using the touch screen keypad, then touch **Enter**.
7. To save the scanned document as a specific file format, touch the attachment file format, then select the desired format.
8. Adjust scanning options as needed.
9. To begin the scan, press **Scan**.
10. If you are scanning from the document glass, when prompted, to finish, touch **Done**, or to scan another page, touch **Add Page**.
Note: If you are scanning a document from the automatic document feeder, a prompt does not appear.
11. To return to the Home screen, press the **Home** button.

Scanning Images into an Application on a Connected Computer

You can import images directly from the scanner into a folder on your computer. With a Macintosh® computer and some Windows® applications, you can import the images directly into an application.

Scanning an Image into an Application

Note: Some Windows applications, including Microsoft Office 2007 and newer, no longer support scanning an image into an application using this process.

1. Load the original document on the document glass or in the duplex automatic document feeder.
2. At your computer, open the application into which you want to scan the image.
3. In the application, select the menu item to acquire the image.
4. From the Paper Source menu in Windows, or from the Scan From menu on a Macintosh® computer, select one of the following:
 - For the Document Glass, select **Flatbed**.
 - For the Duplex Automatic Document Feeder, select **Document Feeder**.
5. Specify other scan driver settings as needed.
6. To begin the scan, click **Scan**.
The printer scans the document and places the image in your application.

Scanning from the Windows Control Panel

1. Load the original document on the document glass or in the duplex automatic document feeder.
2. On your computer, select **Start > Devices and Printers**.
3. From the Devices and Printers window, right-click the printer icon, then select **Start Scan**.
4. From the menu, select the paper source for your original document.
5. Adjust scanning options as needed.
6. To preview the document or select a portion of the document to scan, select **Preview**.
The printer scans a preview copy of the image.
7. To select part of the document, use the corner points to resize the frame.
8. Click **Scan**.
9. To import the scan, in the Import Pictures and Video window, click **Import**.
The scanned image is stored in the default My Pictures folder.

Fax

This section includes:

- [Fax Overview](#) 102
- [Sending a Fax](#)..... 102
- [Fax Workflows](#)..... 105

Fax Overview



When you send a fax from the printer control panel, the document is scanned and transmitted to a fax machine, using a dedicated telephone line. You can use the Fax feature to fax documents to a fax number, an individual contact, or to a group of contacts.

You can use the Fax feature to do the following tasks.

- Delay the send of your fax job for up to 24 hours.
- Send a fax from your computer.
- Forward fax documents to an email address.
- Print a fax from a secure folder.

The fax function works with analog phone lines. The printer also supports faxing on Voice Over Internet Protocol (VoIP) network phone systems when you use an optional Fax Kit. Before you send a fax, configure the Fax Settings to ensure that the settings are compatible with your local fax connection and regulations. The Fax Settings include optional features you can use to configure the printer for faxing.

Note: Not all options listed are supported on all printers. Some options apply only to a specific printer model, configuration, operating system, or print driver type.

For details, refer to the *System Administrator Guide* at www.xerox.com/office/VLB70XXdocs.

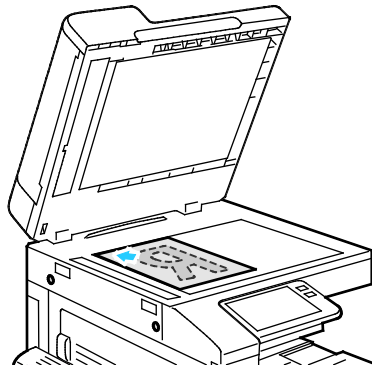
You can adjust settings for individual fax jobs, save settings as Presets for future jobs, and customize fax features. Some features are hidden from view when the App is installed. To view all available features and to find out more about customizing the Fax App, refer to [Customize and Personalize](#) on page 53.

For information about all the App features and available settings, refer to [Apps Features](#) on page 277.

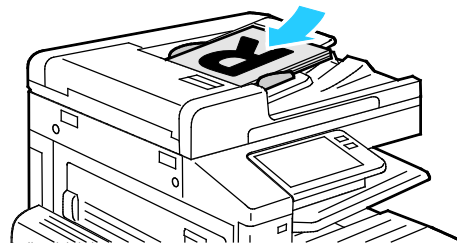
Sending a Fax

To send a fax:

1. At the printer control panel, press the **Home** button.
2. To clear previous App settings, touch **Reset**.
3. Load your original documents.
 - Use the document glass for single pages or paper that cannot be fed using the duplex automatic document feeder. Lift the document feeder cover, then place the original document face down in the upper-left corner of the document glass.



- For single pages, multiple pages, or 2-sided pages, use the duplex automatic document feeder. Remove any staples and paper clips from the pages. Insert the original documents face up in the document feeder, with the top of the page entering the feeder. Adjust the paper guides so that they fit against the original documents.



4. Touch **Fax**.
5. Enter a recipient fax number using the touch screen keypad, then touch **Enter**. To add a number from the fax address book, touch the **Address Book** icon.

Note: To insert a pause, as needed, touch the **Special Characters** icon, then touch **Dial Pause**. To enter longer pauses, touch **Dial Pause** multiple times. You can also enter special characters for **Wait**, **Mask**, **Pulse-to-Tone**, and **Password**.

6. If you are scanning from 2-sided original documents, touch **2-Sided Scanning**, then select an option.
7. Adjust fax settings as needed. For details about available features, refer to [Apps Features](#) on page 277.
8. Touch **Send**.
9. If you are scanning from the document glass, when prompted, do one of the following:
 - To complete the job and return to the Fax App, touch **Done**.
 - To scan another page, load a new original document on the document glass, then touch **Add Page**.
 - To delete the scan and return to the Fax App, touch **Cancel**, then touch **Delete**.

Note: If you are scanning a document from the duplex automatic document feeder, a prompt does not appear.

10. To return to the Home screen, press the **Home** button.

Fax Workflows

This section includes:

- [Sending a Delayed Fax](#)..... 105
- [Sending a Cover Sheet with a Fax](#)..... 106
- [Forwarding a Fax to an Email Address](#) 106
- [Printing a Secure Fax](#)..... 107
- [Sending a Fax Manually](#)..... 107
- [Polling a Remote Fax Machine](#) 108
- [Sending a Fax From Your Computer](#) 110

Sending a Delayed Fax

You can set a time in the future for the printer to send your fax job. You can delay the send of your fax job for up to 24 hours.

Note: Before you use this feature, ensure that the printer is set to the current time. For details, refer to the *System Administrator Guide* at www.xerox.com/office/VLB70XXdocs.

To specify the time to send your fax:

1. At the printer control panel, press the **Home** button.
 2. Touch **Fax**.
 3. To add a recipient fax number, use the touch screen keypad, or, to add a contact from the Address Book, touch the **Address Book** icon.
 4. Load original documents into the printer, then adjust the settings as needed. For details, refer to [Sending a Fax](#) on page 102.
 5. Touch **Delay Send**.
 6. Touch **Specific Time**, enter the required time, then touch **OK**.
 7. Touch **Send**. The fax is scanned and saved, then sent at the time that you specified.
 8. If you are scanning from the document glass, when prompted, do one of the following:
 - To complete the job and return to the Fax App, touch **Done**.
 - To scan another page, load a new original document on the document glass, then touch **Add Page**.
 - To delete the scan and return to the Fax App, touch **Cancel**, then touch **Delete**.
- Note:** If you are scanning a document from the automatic document feeder, a prompt does not appear.
9. To return to the Home screen, press the **Home** button.

Sending a Cover Sheet with a Fax

You can send an automatically generated cover sheet with your fax. The cover sheet lists recipient information from the fax address book, and sender information from the Company Name Fax Line setting.

To send a cover sheet with a fax:

1. At the printer control panel, press the **Home** button, then touch **Fax**.
2. Add fax recipient names and adjust fax settings, as needed. For details, refer to [Sending a Fax](#) on page 102.
3. Touch **Cover Sheet**.
4. Touch **Add Cover Sheet**.
5. To add predefined comments in the From or To fields, touch **Blank Comment**, then select from the list of predefined comments.

Note: If no predefined comments have been added, the list is unavailable. To populate the list with predefined comments, refer to [Adding Predefined Comments](#) on page 106.

6. Touch **OK**.

Adding Predefined Comments

To add a predefined comment:

1. At the printer control panel, press the **Home** button.
2. Log in as Admin.

Note: For information on logging in as a system administrator, refer to the *System Administrator Guide* at www.xerox.com/office/VLB70XXdocs.

3. Touch **Device > Apps > Fax**.
4. Touch **Cover Sheet Comments**.
5. Select a **Not in Use** comment.
6. Enter up to 18 characters of text, then touch **OK**.
7. To return to the Home screen, press the **Home** button.

Forwarding a Fax to an Email Address

You can configure the device to forward faxes to an email address. You can specify the types of faxes to forward, for example, received faxes, sent faxes, or sent and received faxes.

Note: Before you can forward a fax to an email address, ensure that the following items are set up:

- Email service is available.
- The SMTP server is identified within the Device App software.
- The Default from address is identified within the Device App software.
- The Fax Forwarding Feature is enabled.

For details, refer to the *System Administrator Guide* at www.xerox.com/office/VLB70XXdocs.

To forward a fax to an email address:

1. At the printer control panel, press the **Home** button.
2. Log in as Admin.

Note: For information on logging in as a system administrator, refer to the *System Administrator Guide* at www.xerox.com/office/VLB70XXdocs.

3. Touch **Device > Apps > Fax**.
4. Touch **Fax Forwarding > Fax Forwarding**.
5. Select **Off, Receive Only, Send Only, or Send & Receive**.
6. Touch **Add Email**. To enter an email address, use the touch screen keypad, or select a contact from the Address Book.
7. To add a subject line, touch **Subject**, enter your subject line text, then touch **OK**.
8. To add a filename for attachments, touch **Attachment**, then enter a filename.
9. To change the file format for attachments, touch the current format extension, then select a new format.

Note: The default file format is **.pdf**.

10. To save the settings, touch **OK**.
11. For the new settings to take effect, press the **Home** button. At the prompt, touch **Restart Now**.

Printing a Secure Fax

When the Fax Secure Receive option is enabled, all faxes that the device receives are held in the Job list until you enter a passcode. After you enter the passcode, the faxes are released and printed.

Note: Before you can receive a Secure Fax, ensure that the Secure Fax Receive feature is enabled. For details, refer to the *System Administrator Guide* at www.xerox.com/office/VLB70XXdocs.

To print a secure fax:

1. At the printer control panel, press the **Home** button, then touch **Jobs**.
2. Touch **Personal & Secure Jobs**.
3. Touch your assigned private folder.
4. Enter your passcode, then touch **OK**.
5. Select a job to print, or touch **Print All**.
6. To return to the Home screen, press the **Home** button.

Sending a Fax Manually

You can use the Manual Send feature to enable the fax modem speaker temporarily. This feature is helpful to dial international numbers, or to use phone systems that require you to wait for a specific audio tone.

To send a fax manually:

1. At the printer control panel, press the **Home** button, then touch **Fax**.
2. Adjust the fax settings as needed.
3. Touch **Manual Send**.

Note: To display the menu without entering a fax number, at the top of the screen, touch **Fax**.

4. Touch **Dial**, then enter a fax number using the touch screen keypad.
5. To send the fax, touch **Scan**.
6. If you are scanning from the document glass, when prompted, do one of the following:
 - To complete the job and return to the Fax App, touch **Done**.
 - To scan another page, load a new original document on the document glass, then touch **Add Page**.
 - To delete the scan and return to the Fax App, touch **Cancel**, then touch **Delete**.

Note: If you are scanning a document from the duplex automatic document feeder, a prompt does not appear.

7. To return to the Home screen, press the **Home** button.

Polling a Remote Fax Machine

Fax Polling allows the printer to retrieve a fax stored on another fax machine that supports fax polling.

Note: This feature is hidden from view when the Fax App is installed, for more information refer to [Customize and Personalize](#) on page 53.

To poll a remote fax machine:

1. At the printer control panel, press the **Home** button, then touch **Fax**.
2. Touch **Polling**.

Note: To display the menu without entering a fax number, at the top of the screen, touch **Fax**.

3. Enter the fax number of the fax machine that you want to poll.
 - To enter a fax number manually, touch **Enter Fax Number**.
 - To add a number from the fax address book, touch the **Address Book** icon.
4. To initiate the polling process, touch **Retrieve**.
5. To return to the Home screen, press the **Home** button.

Sending a Fax From Your Computer

This section includes:

- [Sending a Fax From Windows Applications](#) 110
- [Sending a Fax From Macintosh Applications](#)..... 110

You can send a fax to the printer from an application on your computer.

Sending a Fax From Windows Applications

You can use the print driver to send a fax from Windows applications.

You can use the fax window to enter recipients, create a cover page with notes, and set options. You can send a confirmation sheet, set the send speed, resolution, send time, and dialing options.

To send a fax from Windows applications:

1. With the desired document or image open in your application, open the Print dialog box. For most software applications, click **File > Print** or press **CTRL+P**.
2. Select the required printer, then to open the print driver dialog box, click **Printer Properties**.
3. On the **Printing Options** tab, from the Job Type list, select **Fax**.
4. In the Fax window, click the **Recipients** tab.
5. To add recipients manually:
 - a. Click the **Add Recipient** icon.
 - b. Type the recipient name and fax number, then add other information as required.
 - c. Click **OK**.
 - d. To add more recipients, repeat this procedure.
6. To add existing contacts from a phonebook:
 - a. Click the **Add From Phonebook** icon.
 - b. Select the required phonebook from the list.
 - c. Select names from the list, or search for a contact using the search bar.
 - d. To add the selected contacts to the Fax Recipients list, click the **Down Arrow**.
 - e. Click **OK**.
 - f. To add more recipients, repeat this procedure.
7. To include a cover sheet, click the **Cover Sheet** tab. From the Cover Sheet Options list, select **Print a Cover Sheet**. Enter the details as needed, then click **OK**.
8. On the Options tab, select the required options, then click **OK**.
9. To save your settings and return to the main print dialogue page, click **OK**.
10. Click **Print**. In the Fax Confirmation window, click **OK**.

Sending a Fax From Macintosh Applications

You can use the fax driver to send a fax from many Macintosh applications. To install the fax driver, refer to [Installing the Software](#) on page 47.

To send a fax from Macintosh applications:

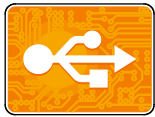
1. With your document or image open in your application, open the Print dialog box. For most software applications, click **File > Print** or press **CMD+P**.
2. Select the required printer.
3. To access the fax driver settings, click **Preview**, select **Xerox Features**, then from Job Type list, select **Fax**.
4. To add a recipient, in the Fax window, click the **Recipients** tab, then click the **Add Recipient** icon.
5. Type the recipient name and fax number, add other information as needed, then click **OK**.
6. To add more recipients, repeat this procedure.
7. To include a cover sheet, click the **Cover Sheet** tab.
8. From the Cover Sheet list, select **Print a Cover Sheet**, then enter the details as needed.
9. On the Options tab, select the required options. To save your settings and return to the main print dialog window, click **OK**.
10. To send the fax, click **Print**.

USB

This section includes:

- [USB Overview](#) 112
- [Scanning to a USB Flash Drive](#) 112
- [Printing From a USB Flash Drive](#) 113

USB Overview



Use the USB feature to save jobs to a USB Flash drive, or to print jobs already stored on a USB Flash drive. Jobs in a print-ready format, for example PDF, XPS, TIFF, or JPEG can be printed.

Scanning to a USB Flash Drive

You can scan a document and store the scanned file on a USB Flash drive. The Scan to USB function produces scans in .jpg, .pdf, .pdf (a), .xps, and .tif file formats.

Notes:

- If the device is in Power Saver mode, press the **Power/Wake** button.
- Only USB Flash drives formatted to the typical FAT32 file system are supported.

To scan to a USB Flash drive:

1. Load the original document on the document glass or in the duplex automatic document feeder.
2. At the printer control panel, press the **Home** button.
3. Insert your USB Flash drive into the USB memory port on the front of the printer.
4. When the USB Flash drive is detected, touch **Scan to USB**.

Note: If this feature does not appear, enable the feature or contact the system administrator. To save the scanned file to a folder on the USB Flash drive, navigate to the desired directory. Touch **OK**.

5. To save the scanned document as a specific file name, touch the attachment file name. To enter a new file name, use the touch screen keypad. Touch **Enter**.

6. To save the scanned document as a specific file format, touch the attachment file format, then select the required format.
7. Adjust scanning features as needed.
8. To begin the scan, press **Scan**.
The printer scans your images to the folder that you specified.
9. If you are scanning from the document glass, when prompted to finish, touch **Done**. To scan another page, load a new original document on the document glass, then touch **Add Page**.

Note: If you are scanning a document from the duplex automatic document feeder, a prompt does not appear.



WARNING: Do not remove the USB Flash drive while the device is scanning and processing the job. If you remove the Flash drive before the transfer is complete, the file can become unusable and other files on the drive can be damaged.

10. To return to the Home screen, press the **Home** button.

Printing From a USB Flash Drive

You can print a file stored on a USB Flash drive. The USB port is on the front of the printer.

Notes:

- If the device is in Power Saver mode, press the **Power/Wake** button.
- Only USB Flash drives formatted to the typical FAT32 file system are supported.

To print from a USB Flash drive:

1. Insert the USB Flash drive into the USB memory port on the printer.
2. When the USB drive is detected, touch **Print from USB**.
Note: If this feature does not appear, enable the feature or contact the system administrator. For details, refer to the *System Administrator Guide* at www.xerox.com/office/VLB70XXdocs.
3. Add files to the Document Source Table.
 - To print a group of print-ready files from the USB drive or folder, touch **Select All**. Verify that your files are selected.
 - To print a specific file, browse to that file, then touch the file name or icon.
4. Touch **OK**.
5. Confirm that the required files are listed.
 - To select more files, touch **Add Document**, then touch **OK**.
 - To remove a file name from the list, touch the file name, then touch **Remove**.
6. Select the paper supply, quantity, and 2-sided printing options.
7. Touch **Print**.
8. When you are finished, remove the USB Flash drive.

To print from a USB Flash drive that is already inserted in the printer:

1. If the USB Flash drive is already in the USB memory port, press the **Home** button.
2. Touch **USB**.
3. Touch **Print from USB**.

Note: If this feature does not appear, enable the feature or contact the system administrator. For details, refer to the *System Administrator Guide* at www.xerox.com/office/VLB70XXdocs.

4. Add files to the Document Source Table.
 - To print a group of print-ready files, from the USB drive or folder, touch the **Select All** icon. Verify that your files are selected.
 - To print a specific file, browse to that file, then touch the file name or icon.
5. Touch **OK**.
6. Confirm that the required files are listed.
 - To select more files, touch **Add Document**, then touch **OK**.
 - To remove a file name from the list, touch the file name, then touch **Remove**.
7. Select the paper supply, quantity, and 2-sided printing options.
8. Touch **Print**.

Printing

5

This chapter includes:

- [Printing Overview](#) 116
- [Selecting Printing Options](#) 117
- [Print Jobs](#) 125
- [Printing Features](#) 130
- [Using Custom Paper Sizes](#) 139

Printing Overview

Before you print, ensure that your computer and the printer are plugged in, powered on, and connected to an active network. Ensure that you have the correct print driver software installed on your computer. For details, refer to [Installing the Software](#) on page 47.

Note: Some features described only apply to a specific print driver, configuration, or operating system. The optional PostScript print driver provides the widest range of features. For details, contact your local Xerox representative.

To send a job to the printer:

1. Select the appropriate paper.
2. Load paper in the appropriate tray. At the printer control panel, specify the paper size, color, and type.
3. Access the print settings in your software application. For most software applications, press **CTRL+P** for Windows, or **CMD+P** for Macintosh.
4. Select your printer.
5. To access the print driver settings, for Windows, select **Printer Properties, Print Options, or Preferences**. For Macintosh, select **Xerox® Features**. The title of the button can vary depending on your application.
6. Modify the print driver settings as necessary, then click **OK**.
7. To send the job to the printer, click **Print**.

Note: To print a file stored on a USB Flash drive, refer to [USB](#) on page 112.

For reference:

[Loading Paper](#) on page 153

[Printing Features](#) on page 130

[Printing on Both Sides of the Paper](#) on page 131

[Printing on Special Paper](#) on page 163

Selecting Printing Options

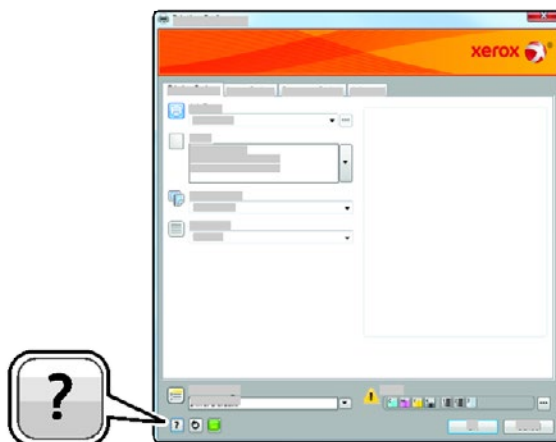
This section includes:

- [Print Driver Help](#) 117
- [Windows Printing Options](#) 118
- [Macintosh Printing Options](#) 120
- [UNIX and Linux Printing](#) 121
- [Mobile Printing Options](#) 123

Printing options, also called print driver software options, are specified as Printing Preferences in Windows, and Xerox® Features in Macintosh. Printing options include settings for 2-sided printing, page layout, and print quality. Printing options that are set from Printing Preferences become the default setting. Printing options that are set from within the software application are temporary. The application and the computer do not save the settings after the application is closed.

Print Driver Help

Xerox® print driver software Help information is available from the Printing Preferences window. Click the Help (?) button in the bottom left corner of the Printing Preferences window to see the Help.



Information about Printing Preferences appears in the Help window on two tabs:

- **Contents** provides a list of the tabs at the top and the areas at the bottom of the Printing Preferences window. Use the Contents tab to find explanations for each of the fields and areas in Printing Preferences.
- **Search** provides a field where you can enter the topic or function for which you need information.

Windows Printing Options

Setting Default Printing Options for Windows

When you print from any software application, the printer uses the print job settings specified in the Printing Preferences window. You can specify your most common printing options and save them so that you do not have to change them every time you print.

For example, if you want to print on both sides of the paper for most jobs, specify 2-sided printing in Printing Preferences.

1. Navigate to the list of printers on your computer:
 - For Windows Server 2008 and later, click **Start > Settings > Printers**.
 - For Windows 7, click **Start > Devices and Printers**.
 - For Windows 8, click **Start > Control Panel > Devices and Printers**.
 - For Windows 10, click the Windows **Start** icon > **Settings > Devices > Printers & Scanners**. Scroll down in the window, then under Related settings, click **Devices and printers**.

Note: If you are using a custom Start Menu application, it can change the navigation path to your list of printers.

2. In the list of printers, right-click the icon for your printer, then click **Printing preferences**.
3. In the Printing Preferences window, click a tab, then select the options. To save the settings, click **OK**.

Note: For more information about Windows print driver options, click the Help button (?) in the Printing Preferences window.

Selecting Printing Options for an Individual Job for Windows

To use special printing options for a particular job, you can change the Printing Preferences before sending the job to the printer.

1. With the document open in your software application, access the print settings. For most software applications, click **File > Print** or press **CTRL+P** for Windows.
2. To open the Printing Preferences window, select your printer, then click the **Printer Properties, Print Options, or Preferences** button. The title of the button can vary, depending on your application.
3. Click a tab in the Printing Preferences window, then make selections.
4. To save your selections and close the Printing Preferences window, click **OK**.
5. To send the job to the printer, click **Print**.

Selecting Finishing Options for Windows

If your printer has a finisher installed, you can select finishing options in the Properties window of the print driver. Finishing options allow you to select how your document is delivered. For example, you can select hole-punching, stapling, folding, or printing in a booklet format.

Note: Not all options listed are supported on all printers. Some options apply only to a specific printer model, configuration, operating system, or print driver type.

To select finishing options in the PostScript and PCL print drivers:

1. In the print driver, click the **Printing Options** tab.
2. To select a finishing option, for Finishing, click the arrow.

Note: The print driver displays stapling positions for paper fed on the long edge. If paper feeds on the short edge instead of the long edge, the finisher can insert the staple in the wrong location.

3. To select the output tray, for Output Destination, click the arrow, then select an option:
 - **Automatic:** Use this option to have the printer determine the output destination based on the number of sets and the stapling option selected. The printer sends multiple sets or stapled sets to the finisher output tray.
 - **Center Tray:** Use this option to select the output tray in the center of the printer.
 - **Center Top Tray:** Use this option to select the upper output tray in the center of the printer.
 - **Center Bottom Tray:** Use this option to select the lower output tray in the center of the printer.
 - **Finisher Tray:** Use this option to select the output tray on the right side of the Office Finisher, or the Office Finisher with Booklet Maker.
4. To send the job to the printer, click **OK**, then click **Print**.

Selecting Printing Defaults in Windows for a Shared Network Printer

1. Navigate to the list of printers on your computer:
 - For Windows Server 2008 and later, click **Start > Settings > Printers**.
 - For Windows 7, click **Start > Devices and Printers**.
 - For Windows 8, click **Start > Control Panel > Devices and Printers**.
 - For Windows 10, click the Windows **Start** icon > **Settings > Devices > Printers & Scanners**. Scroll down in the window, then under Related settings, click **Devices and printers**.

Note: If the Control Panel icon does not appear on the desktop, right-click the desktop, then select **Personalize > Control Panel Home > Devices and Printers**.

2. In the list of printers, right-click the icon for your printer, then select **Printer properties**.
3. In the printer Properties dialog box, click the **Advanced** tab.
4. On the Advanced tab, click **Printing Defaults**.
5. Make your selections on the print driver tabs as needed, then click **Apply**.
6. To save the settings, click **OK**.

Saving a Set of Commonly Used Printing Options for Windows

You can define and save a set of options, so that you can apply them to future print jobs.

To save a set of printing options:

1. With the document open in your application, click **File > Print**.
2. To open the Printing Preferences window, select your printer, then click **Properties** or **Preferences**.
3. In the Printing Properties window, click the tabs, then select the desired settings.
4. In the Printing Properties window, click **Saved Settings**, then click **Save As**.
5. To save the set of options in the Saved Settings list, type a name for the set of printing options, then click **OK**.

Macintosh Printing Options

Selecting Printing Options for Macintosh

To use specific printing options, change the settings before sending the job to the printer.

1. With the document open in your application, click **File > Print**.
2. Select your printer.
3. Open the Print dialog box, then click **Show Details**. Click the application menu for your current application, then select **Xerox Features**.
4. Select any other required printing options from the lists.
5. Click **Print** to send the job to the printer.

Selecting Finishing Options for Macintosh

If your printer has a finisher installed, select finishing options in the Xerox® Features of the print driver.

To select finishing options in the Macintosh print driver:

1. Open the Print dialog box, then click **Show Details**. Click the application menu for your current application, then select **Xerox Features**.
2. To select stapling options, for Finishing, click the arrow, then select an option.
3. To select the output tray, for Output Destination, click the arrow, then select an option.
 - **Automatic**: Use this option to have the printer determine the output destination based on the number of sets and the stapling option selected. The printer sends multiple sets or stapled sets to the finisher output tray.
 - **Center Tray**: Use this option to select the output tray in the center of the printer.
 - **Center Top Tray**: Use this option to select the upper output tray in the center of the printer.
 - **Center Bottom Tray**: Use this option to select the lower output tray in the center of the printer.
 - **Finisher Tray**: Use this option to select the output tray on the right side of the Office Finisher, or the Office Finisher with Booklet Maker.
4. To send the job to the printer, click **Print**.

Saving a Set of Commonly Used Printing Options for Macintosh

You can define and save a set of options, so that you can apply them to future print jobs.

To save a set of printing options:

1. With the document open in your application, click **File > Print**.
2. Select your printer from the Printers list.
3. Select the required printing options from the lists in the Print dialog box.
Note: To see all printing options, click **Show Details**.
4. Click **Presets > Save Current Settings as Preset**.
5. Type a name for the printing options. To save the set of options in the Presets list, click **OK**.
6. To print using these options, select the name from the Presets list.

UNIX and Linux Printing

The Xerox® Print Driver package provides tools for you to manage printers connected in UNIX and Linux environments.

The Xerox® print drivers provide a GUI-based driver dialog for printer feature selections. You can select print drivers based on your operating system.

Xerox® Printer Manager

Xerox® Printer Manager is an application that allows you to manage and print to multiple printers in UNIX and Linux environments.

Xerox® Printer Manager allows you to:

- Configure and check the status of network connected printers.
- Set up a printer on your network as well as monitor the operation of the printer once installed.
- Perform maintenance checks and view supplies status at any time.
- Provide a common look and feel across the many different suppliers of UNIX and Linux operating systems.

Installing the Xerox® Printer Manager

Before you begin:

Ensure that you have root or superuser privileges to install Xerox® Printer Manager.

To install the Xerox® Printer Manager:

1. Download the appropriate package for your operating system. To locate print drivers for your printer, go to www.xerox.com/office/drivers.
2. On the print driver website, navigate to your printer model.
3. For your printer model, click **Drivers & Downloads**.
4. From the Operating System menu, select your operating system.
5. To identify the print driver for your printer model, review the list of available print drivers.
Note: For additional information on each driver, click **Description**.
6. To select the print driver for your printer model and operating system, click its name.
7. To begin the download, read the End User License Agreement, then click **accept**.
The file automatically downloads to the default location for your computer file downloads.
8. To install the Xerox® Print Driver package:
 - a. Open the package with your OS package manager.
 - b. To install using a command-line utility, change to the directory where you downloaded the file. To run the installer, type the appropriate command-line utility for your operating system. For example:
 - **Red Hat:** `rpm -U <filename>.rpm`
 - **Debian-based Linux:** `dpkg -i <filename>.deb`
 - **AIX:** `rpm -U <filename>.rpm`
 - **HPUX:** `<filename>.depot.gz`
 - **Solaris:** `pkgadd -d <filename>.pkg`

Note: Most installations create a Xerox directory in `/opt/Xerox/prtsys`. For additional information about utilities included in the OS package manager, refer to the manual included with the package. For example, `man xeroxprtmgr`.

Launching Xerox® Printer Manager

To launch Xerox® Printer Manager, do one of the following tasks.

- For UNIX, log in as root. From a terminal window, type `xosdprtmgr`, then press **Enter** or **Return**.
- For Linux, type `sudo xeroxprtmgr`, then press **Enter** or **Return**.

Printing with xeroxprint

Xerox has its own print command. You can use the following command:

```
xeroxprint -d<Some_Queue> -o[Options] <Somefile>
```

Printing from a Linux Workstation

To print from a Linux workstation, install either a Xerox® print driver for Linux or a CUPS print driver. You do not need both drivers.

Xerox recommends that you install one of the full-featured custom print drivers for Linux. To locate drivers for your printer, go to www.xerox.com/office/drivers.

If you use CUPS, ensure that CUPS is installed and running on your workstation. The instructions for installing and building CUPS are contained in the *CUPS Software Administrators Manual*, written and copyrighted by Easy Software Products. For complete information on CUPS printing capabilities, refer to the *CUPS Software Users Manual* available from www.cups.org/documentation.php.

Installing the PPD on the Workstation

1. If available, download the Xerox® PPD for CUPS from the Drivers and Downloads page on the Xerox Support website.
2. Copy the PPD into the CUPS ppd/Xerox folder on your workstation. If you are unsure of the location of the folder, use the Find command to locate the PPD files.
3. Follow the instructions that are included with the PPD.

Adding the Printer

1. Verify that the CUPS daemon is running.
2. Open a Web browser and type **http://localhost:631/admin**, then click **Enter** or **Return**.
3. For User ID, type **root**. For password, type the root password.
4. Click **Add Printer** and follow the onscreen prompts to add the printer to the CUPS printer list.

Printing with CUPS

CUPS supports the use of both the System V (lp) and Berkeley (lpr) printing commands.

1. To print to a specific printer in System V, type: **lp -dprinter filename**, then click **Enter**.
2. To print to a specific printer in Berkeley, type: **lpr -Pprinter filename**, then click **Enter**.

Mobile Printing Options

This printer can print from iOS and Android mobile devices.

Printing with Wi-Fi Direct

You can connect to your printer from a Wi-Fi mobile device, such as a tablet, computer, or smart phone, using Wi-Fi Direct.

For details, refer to [Connecting with Wi-Fi Direct](#) on page 43.

For details on using Wi-Fi Direct, refer to the documentation provided with your mobile device.

Note: Depending on which mobile device you are using, the printing procedure varies.

Printing with AirPrint

You can print directly from your iPhone, iPad, iPod touch, or Mac using AirPrint. To enable AirPrint for your printer, refer to [Configuring AirPrint](#) on page 44. To use AirPrint, ensure that your mobile device is connected to the same wireless network as the printer.

To print with AirPrint:

1. Open the email, photograph, website page, or document that you want to print.
2. Tap the Action icon.
3. Tap **Print**.
4. Select your printer, then set the printer options.
5. Tap **Print**.

Printing from a Mopria-Enabled Mobile Device

Mopria™ is a software feature that enables users to print from mobile devices without requiring a print driver. You can use Mopria™ to print from your mobile device to Mopria™-enabled printers.

Notes:

- Mopria and all of its required protocols are enabled by default.
- Ensure that you have the latest version of the Mopria Print Service installed on your mobile device. You can obtain a free download from the Google Play Store.
- Wireless devices must join the same wireless network as the printer.
- The name and location of your printer appears in a list of Mopria-enabled printers on connected devices.

To print using Mopria, follow the directions provided with your mobile device.

Print Jobs

This section includes:

- [Managing Jobs](#) 125
- [Printing Special Job Types](#)..... 126

Managing Jobs

From the Jobs window in the Embedded Web Server, you can view a list of active and completed print jobs.

From the control panel Jobs menu, you can view lists of active jobs, secure jobs, or completed jobs. You can pause, delete, print, or view job progress or job details for a selected job. When you send a secure print job, the job is held until you release it by typing a passcode at the control panel. For details, refer to [Printing Special Job Types](#) on page 126.

To pause the print job with the option to delete it:

1. At the printer control panel, press the **Home** button.
2. Touch **Jobs**, then touch the name of the desired print job.
3. Do one of the following:
 - To pause the print job, touch **Pause**. To resume the print job, touch **Resume**.
 - To delete the print job, touch **Delete**. At the prompt, touch **Delete**.

Note: If you do not make a selection within 60 seconds, the job automatically resumes.

4. To return to the Home screen, press the **Home** button.

To view, print, or delete jobs:

1. At the printer control panel, press the **Home** button.
2. To view a list of active and completed jobs, touch **Jobs**.
3. To view a list of specific job types, touch an option.
 - To view Saved Jobs, touch **Saved Jobs**. To print the job, touch the job, enter the quantity, then touch **OK**. To delete the job, touch the **Trash** icon, then touch **Delete**.
 - To view Personal jobs, touch **Personal & Secure Jobs**. To print the jobs, touch the folder, then touch **Print All**, or **Delete All**.
 - For Secure Jobs, touch **Personal & Secure Jobs**. Touch the folder, enter the passcode number, then touch **OK**. To print a Secure Job, touch the job. To print or delete all the jobs in the folder, touch **Print All**, or **Delete All**.

4. To view details about a job, touch the job.
5. To return to the Home screen, press the **Home** button.

Notes:

- The system administrator can restrict users from deleting jobs. If a system administrator has restricted job deletion, you can view the jobs, but not delete them.
- Only the user that sent the job or the system administrator can delete a Secure Print job.

Printing Special Job Types

Special job types allow you to send a print job from your computer, then print it from the printer control panel. Select special job types in the print driver, Printing Options tab, under Job Type.

Saved Job

Saved Jobs are documents sent to the printer and, unless deleted, are stored there for future use. Any user can print or delete a Saved Job.

To print a Saved Job:

1. In your software application, access the print settings. For most software applications, press **CTRL+P** for Windows or **CMD+P** for Macintosh.
2. Select your printer, then open the print driver.
 - For Windows, click **Printer Properties**. Depending on your application, the title of the button can vary.
 - For Macintosh, open the Print dialog, then click **Show Details**. Click the application menu for your current application, then select **Xerox Features**.
3. For Job Type, select **Saved Job**.
4. Type a job name or select a name from the list, then click **OK**.
5. Select any other required printing options.
 - For Windows, click **OK**, then click **Print**.
 - For Macintosh, click **Print**.

To release a Saved Job:

1. At the printer control panel, press the **Home** button.
2. Touch **Jobs**.
3. To view Saved Jobs, touch **Saved Jobs**.
4. To print a Saved Job, touch the job name, enter the quantity, then touch **OK**.
5. To delete the document after printing, for that job, touch the **Trash** icon, then at the prompt, touch **Delete**.
6. To return to the Home screen, press the **Home** button.

Secure Print

Use Secure Print to print sensitive or confidential information. After you send the job, it is held at the printer until you enter your passcode at the printer control panel.

To print using Secure Print:

1. In your software application, access the print settings. For most software applications, press **CTRL+P** for Windows or **CMD+P** for Macintosh.
2. Select your printer, then open the print driver.
 - For Windows, click **Printer Properties**. Depending on your application, the title of the button varies.
 - For Macintosh, open the Print dialog, then click **Show Details**. Click the application menu for your current application, then select **Xerox Features**.
3. For Job Type, select **Secure Print**.
4. Type the passcode, confirm the passcode, then click **OK**.
5. Select other required printing options.
 - For Windows, click **OK**, then click **Print**.
 - For Macintosh, click **Print**.

To release a Secure Print job:

1. At the printer control panel, press the **Home** button.
2. Touch **Jobs**.
3. To view Secure Print jobs, touch **Personal & Secure Jobs**.
4. Touch your folder.
5. Enter the passcode number, then touch **OK**.
6. Select an option:
 - To print a Secure Print job, touch the job.
 - To print all the jobs in the folder, touch **Print All**.
 - To delete a Secure Print job, touch the **Trash** icon, then at the prompt, touch **Delete**.
 - To delete all the jobs in the folder, touch **Delete All**.

Note: After a Secure Print job is printed, it is deleted automatically.

7. To return to the Home screen, press the **Home** button.

Personal Print

Personal Print allows you to store a document in the printer, then print it from the control panel.

Note: This feature is only available on a Windows computer printing to a network printer.

Personal Print is a type of saved job with these features:

- A Personal Print job appears in a folder named after the user ID associated with the print job.
- A Personal Print job does not use a passcode.
- Any user can print or delete a Personal Print job.
- You can print all jobs in the list at once, delete an individual job, or delete all jobs in the list.
- After a Personal Print job is printed, it is deleted automatically.

To print using Personal Print:

1. In your software application, access the print settings. For most software applications, click **File > Print** or for Windows, press **CTRL+P**.
2. Select your printer, then click **Printer Properties**. Depending on your application, the title of the button varies.
3. For Job Type, select **Personal Print**.
4. Select any other required printing options, then click **OK**.
5. To send the job to the printer, click **Print**.

To release a Personal Print job:

1. At the printer control panel, press the **Home** button.
2. Touch **Jobs**.
3. To view Personal Print jobs, touch **Personal & Secure Jobs**.
4. Touch your folder.
5. If prompted for a passcode, touch **Skip**.

Note: When your folder contains Secure Print jobs and Personal Print jobs, the passcode prompt appears.

6. Select an option.
 - To print a Personal Print job, touch the job.
 - To print all the jobs in the folder, touch **Print All**.
 - To delete all the jobs in the folder, touch **Delete All**.
7. To return to the Home screen, press the **Home** button.

Sample Set

The Sample Set job type prints one copy of a multiple-copy print job before printing the remaining copies. After reviewing the sample set, you can either print the remaining copies or delete them at the printer control panel.

Sample Set is a type of saved job with these features:

- A Sample Set job appears in a folder named after the user ID associated with the print job.
- A Sample Set job does not use a passcode.
- Any user can print or delete a Sample Set job.
- A Sample Set prints one copy of a job to allow you to proofread the job before printing any remaining copies.

After a Sample Set job is printed, it is deleted automatically.

To print using Sample Set:

1. In your software application, access the print settings. For most software applications, press **CTRL+P** for Windows or **CMD+P** for Macintosh.
2. Select your printer, then open the print driver.
 - For Windows, click **Printer Properties**. Depending on your application, the title of the button varies.
 - For Macintosh, open the Print dialog box, then click **Show Details**. Click the application menu for your current application, then select **Xerox Features**.
3. For Job Type, select **Sample Set**.
4. Select any other required printing options.
 - For Windows, click **OK**, select the number of copies, then click **Print**.
 - For Macintosh, select the number of copies, then click **Print**.

To release a Sample Set:

1. At the printer control panel, press the **Home** button.
2. To view available jobs, touch **Jobs**.
3. Touch the Sample Set job.

Note: The Sample Set file description shows the job as Held for Future Printing, and shows the number of remaining copies of the job.

4. Select an option.
 - To print the remaining copies of the job, touch **Release**.
 - To delete the remaining copies of the job, touch **Delete**.
5. To return to the Home screen, press the **Home** button.

Printing Features

This section includes:

- [Selecting Paper Options for Printing](#) 130
- [Printing on Both Sides of the Paper](#)..... 131
- [Print Quality](#)..... 131
- [Image Options](#)..... 132
- [Printing Multiple Pages to a Single Sheet](#) 132
- [Printing Booklets](#)..... 133
- [Using Special Pages](#)..... 133
- [Orientation](#)..... 136
- [Advanced Tab](#)..... 137

Selecting Paper Options for Printing

There are two ways to select the paper for your print job. You can let the printer select which paper to use based on the document size, paper type, and paper color you specify. You can also select a specific tray loaded with the desired paper.

Scaling

Scaling reduces or enlarges the original document to match the selected output paper size.

The following scaling options are available:

- **Automatically Scale** scales the document to fit the selected Output Paper Size. The scaling amount appears in the percentage box below the sample image.
- **No Scaling** does not change the size of the page image printed on the output paper, and 100 % appears in the percentage box. If the original size is larger than the output size, the page image is cropped. If the original size is smaller than the output size, extra space appears around the page image.
- **Manually Scale** scales the document by the amount entered in the percentage box below the preview image.

Printing on Both Sides of the Paper

Printing a 2-Sided Document

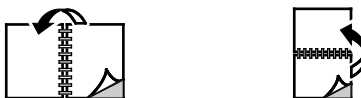
If your printer supports Automatic 2-Sided Printing, the options are specified in the print driver. The print driver uses the settings for portrait or landscape orientation from the application for printing the document.

Note: Ensure that the paper size and weight are supported. For details, refer to [Supported Paper Types and Weights for Automatic 2-Sided Printing](#) on page 147.

2-Sided Page Layout Options

You can specify the page layout for 2-sided printing, which determines how the printed pages turn. These settings override the application page orientation settings.

- **1-Sided Print:** This option prints on one side of the media. Use this option when printing on envelopes, labels, or other media that cannot be printed on both sides.
- **2-Sided Print:** This option prints the job on both sides of the paper to allow binding on the long edge of the paper. The following illustrations show the result for documents with portrait and landscape orientations, respectively:



- **2-Sided Print, Flip on Short Edge:** Prints on both sides of the paper. The images print to allow binding on the short edge of the paper. The following illustrations show the result for documents with portrait and landscape orientations, respectively:



Note: 2-Sided Printing is part of the Earth Smart settings.

To change your default print driver settings, refer to [Setting Default Printing Options for Windows](#) on page 118.

Print Quality

Print-quality modes:

- Standard print-quality mode: 600 x 600 dpi
- Enhanced print-quality mode: 1200 x 1200 dpi

Image Options

Image options controls how the printer uses lightness and contrast to produce your document. The Windows PostScript print driver and the Macintosh print drivers provide the widest range of controls on the Image Options tab.

Lightness

The Lightness feature allows you to adjust the overall lightness or darkness of the text and images in your printed job.

Image Shift

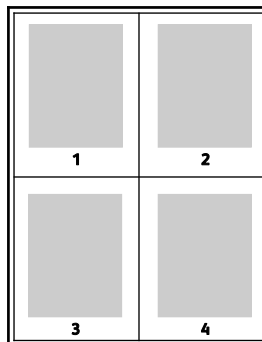
Image Shift allows you to modify the location of the image on the page. You can shift the printed image along the X and Y axes of each sheet of paper.

Contrast

You can use the Contrast feature to adjust the variation between light and dark areas of the print job.

Printing Multiple Pages to a Single Sheet

When printing a multiple-page document, you can print more than one page on a single sheet of paper. Print 1, 2, 4, 6, 9, or 16 pages per side by selecting Pages Per Sheet on the Page Layout tab. Page Layout is on the Document Options tab.



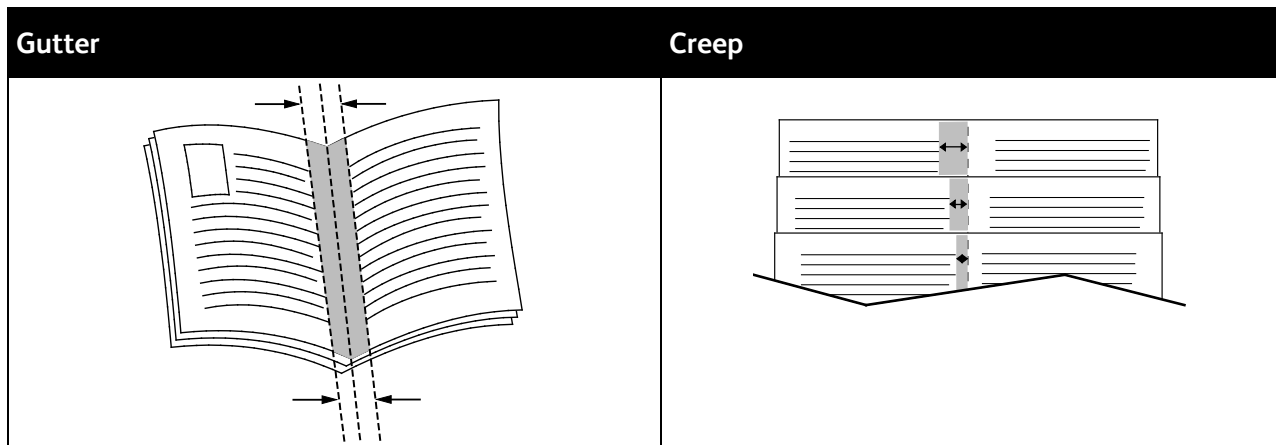
To print a border around each page, select **Page Borders**.

Printing Booklets

With 2-sided printing, you can print a document in the form of a small booklet. You can create booklets from any paper size that is supported for 2-sided printing.

When you print booklets using the Windows PostScript or Macintosh driver, you can specify the gutter and creep.

- **Gutter:** Specifies the horizontal distance in points between the page images. A point is 0.35 mm (1/72 in.).
- **Creep:** Specifies how much the page images shift outward in tenths of a point. Shifting compensates for the thickness of the folded paper, which can cause the page images to shift outward slightly when folded. You can select a value from zero to 1 point.



Note: To print a border around each page, select **Page Borders**.

Using Special Pages

The Special Pages options control how covers, inserts, and exception pages are added to your printed document.

Printing Cover Pages

A cover page is the first or last page of a document. You can select paper sources for the cover pages that are different from the source used for the body of a document. For example, you can use your company letterhead for the first page of a document. You can use heavyweight paper for the first and last pages of a report. You can use any applicable paper tray as the source for printing cover pages.

The following options are available:

- **No Covers:** This option does not print cover pages. No cover pages are added to the document.
- **Front Only:** This option prints the first page on paper from the specified tray.
- **Back Only:** This option prints the back page on paper from the specified tray.
- **Front and Back: Same:** This option prints the front and back cover pages from the same tray.
- **Front and Back: Different:** This option prints the front and back cover pages from different trays.

After you make a selection for printing the cover pages, you can select the paper for the front and back covers by size, color, or type. You can use blank or pre-printed paper, and you can print side one, side two, or both sides of the cover pages.

Printing Insert Pages

You can add blank or pre-printed insert pages before page one of each document or after designated pages within a document. Adding an insert after designated pages within a document separates sections, or acts as a marker or placeholder. Ensure that you specify the paper to use for the insert pages.

- **Insert Options** provides the options to place an insert After Page X, where X is the specified page, or Before Page 1.
- **Insert Quantity** specifies the number of pages to insert at each location.
- **Pages:** Specifies the page or range of pages that use the exception page characteristics. Separate individual pages or page ranges with commas. Specify pages within a range with a hyphen. For example, to specify pages 1, 6, 9, 10, and 11, type **1,6,9-11**.
- **Paper:** Displays the default size, color, and type of paper selected in Use Job Settings.
- **Job Setting:** Displays the attributes of the paper for the remainder of the job.

Printing Exception Pages

Exception pages have different settings from the rest of the pages in the job. You can specify differences such as page size, page type, and page color. You can also change the side of the paper on which to print as your job requires. A print job can contain multiple exceptions.

For example, your print job contains 30 pages. You want five pages to print on only one side of a special paper, and the remainder of the pages printed 2-sided on regular paper. You can use exception pages to print the job.

In the Add Exceptions window, you can set the characteristics of the exception pages and select the alternate paper source:

- **Pages:** Specifies the page or range of pages that use the exception page characteristics. Separate individual pages or page ranges with commas. Specify pages within a range with a hyphen. For example, to specify pages 1, 6, 9, 10, and 11, type **1,6,9-11**.
- **Paper:** Displays the default size, color, and type of paper selected in Use Job Settings.
- **2-Sided Printing** allows you to select 2-sided printing options. Click the **Down** arrow to select an option:
 - **1-Sided Print** prints the exception pages on one side only.
 - **2-Sided Print** prints the exception pages on both sides of the paper and flips the pages on the long edge. The job then can be bound on the long edge of the pages.
 - **2-Sided Print, Flip on Short Edge** prints the exception pages on both sides of the paper and flips the pages on the short edge. The job then can be bound on the short edge of the pages.
 - **Use Job Setting** prints the job using the attributes shown in the Job Settings box.
- **Job Setting:** Displays the attributes of the paper for the remainder of the job.

Note: Some combinations of 2-sided printing with certain paper types and sizes can produce unexpected results.

Printing Watermarks for Windows

A watermark is special purpose text that can be printed across one or more pages. For example, you can add a word like Copy, Draft, or Confidential as a watermark instead of stamping it on a document before distribution.

Notes:

- This feature is available only on a Windows computer printing to a network printer.
- Not all options listed are supported on all printers. Some options apply only to a specific printer model, configuration, operating system, or print driver type.
- Watermarks are not supported for some print drivers when booklet is selected or when more than one page is printed on a sheet of paper.

To print a watermark:

1. In the print driver, click the **Document Options** tab.
2. Click the **Watermark** tab.
3. From the Watermark menu, select the watermark. You can choose from preset watermarks, or create a customized watermark. You can also manage watermarks from this menu.
4. Under **Text**, select an option:
 - **Text:** Enter the text in the field, then specify the font.
 - **Time Stamp:** Specify the date and time options, then specify the font.
 - **Picture:** To locate the picture, click the Browse icon.
5. Specify the scaling angle and position of the watermark.
 - Select the scaling option that specifies the size of the picture in relation to the original image. Use the arrows to scale the image in increments of 1 %.
 - To define the angle of the image on the page, specify the position option, or to rotate the image left or right by increments of 1, use the arrows.
 - To define the location of the image on the page, specify the position option, or to move the image in each direction in increments of 1, use the arrows.
6. Under **Layering**, select how to print the watermark.
 - **Print in Background** prints the watermark behind the text and graphics in the document.
 - **Blend:** This option combines the watermark with the text and graphics in the document. A blended watermark is translucent, so you can see both the watermark and the document content.
 - **Print in Foreground** prints the watermark over the text and graphics in the document.
7. Click **Pages**, then select the pages to print the watermark:
 - **Print on All Pages** prints the watermark on all pages of your document.
 - **Print on Page 1 Only** prints the watermark only on the first page of the document.
8. If you select a picture as a watermark, specify the lightness settings for the image.
9. Click **OK**.

Orientation

Orientation allows you to select the direction that the page prints.

The following options are available:

- **Portrait:** Orients the paper so that the text and images print across the short dimension of the paper.



- **Landscape:** Orients the paper so that the text and images print across the long dimension of the paper.



- **Rotated Landscape:** Orients the paper so that the content is rotated 180 degrees and with the long bottom side up.



Note: For Macintosh, to print portrait text and images in landscape orientation, clear the Auto Rotate check box.

Advanced Tab

You can use the Advanced tab to set advanced printing options. Selections on this tab apply to all jobs that you print with the print driver.

Note: Not all options listed are supported on all printers. Some options apply only to a specific printer model, configuration, operating system, or print driver type.

Job Identification

You can use the Job ID feature to change the job identification setting for your print job. You can print the job identification on a separate banner page or on the pages of your document.

The following options are available:

- **Disable Job ID:** This option directs the printer not to print a banner page.
- **Print ID on a Banner Page:** This option prints the job identification on a banner page.
- **Print ID in Margins - First Page Only:** This option prints the job identification on the first page of the document in the top-left margin.
- **Print ID in Margins - All Pages:** This option prints the job identification in the top-left margin on every page of the document.

Printing Mirror Images

If the PostScript print driver is installed, you can print pages as a mirror image. Images are mirrored left-to-right when printed.

Selecting Job Completion Notification for Windows

You can select to be notified when your job finishes printing. A message appears on your computer screen with the name of the job and the name of the printer where it was printed.

Note: This feature is only available on a Windows computer printing to a network printer.

To select job completion notification from the Advanced tab:

1. Click **Notifications**.
2. Click **Notify for Completed Jobs**, then select an option.
 - **Enabled:** This option turns on notifications.
 - **Disabled:** This option turns off the Notification feature.
3. Click **OK**.

Using Custom Paper Sizes

This section includes:

- [Defining Custom Paper Sizes](#) 139
- [Printing on Custom Paper Sizes](#)..... 140

You can print on custom paper sizes that are within the minimum and maximum size range supported by the printer. For details, refer to [Supported Custom Paper Sizes](#) on page 147.

Defining Custom Paper Sizes

To print custom paper sizes, define the custom width and length of the paper in the print driver software and on the printer control panel. When setting the paper size, ensure that you specify the same size as the paper in the tray. Setting the wrong size can cause a printer error. Print driver settings override control panel settings when you print using the print driver software on your computer.

Creating and Saving Custom Paper Sizes in the Print Driver

You can print custom-size paper from any adjustable paper tray. Custom-size paper settings are saved in the print driver and are available for you to select in all your applications.

For detail on supported paper sizes for each tray, refer to [Supported Custom Paper Sizes](#) on page 147.

To create and save custom sizes for Windows:

1. In the print driver, click the **Printing Options** tab.
2. For Paper, click the arrow, then select **Other Size > Advanced Paper Size > Output Paper Size > New**.
3. In the New Custom Paper Size window, enter the height and width of the new size.
4. To specify the units of measurement, at the bottom of the window, click the **Measurements** button, then select **Inches** or **Millimeters**.
5. To save, in the Name field, type a title for the new size, then click **OK**.

To create and save custom sizes for Macintosh:

1. In the application, click **File > Print**.
2. Click **Paper Size**, then select **Manage Custom Sizes**.
3. To add a new size, in the Manage Paper Sizes window, click the plus sign (+).
4. Double-click **Untitled**, then type a name for the new custom size.
5. Enter the height and width of the new custom size.
6. Click the arrow for the Non-Printable Area field, then select the printer from the list. Or, for User Defined margins, set the top, bottom, right, and left margins.
7. To save the settings, click **OK**.

Defining a Custom Paper Size at the Control Panel

You can print custom-size paper from any adjustable paper tray. Ensure that the custom-size paper setting for the paper tray matches the custom-size paper setting in the print driver.

1. At the printer control panel, press the **Home** button.
2. Load the custom-size paper in the tray.
3. At the Tray Settings screen, touch the current size setting, then from the list, touch **Custom**.
4. In the Custom Paper Size screen, enter the height and width of the new size, then touch **OK**.
5. To save the setting, touch **OK**.

Printing on Custom Paper Sizes

Before printing on a custom paper size, use the Custom Paper Sizes feature in printer properties to define the custom size.

Printing on Custom Paper Size from Windows

1. Load the custom-size paper in the tray.
2. In the application, click **File > Print**, then select your printer.
3. In the Print dialog box, click **Printer Properties**.
4. On the Printing Options tab, from the Paper list, select the required custom paper size and type.
5. Select any other required options, then click **OK**.
6. In the Print dialog box, click **Print**.

Printing on Custom Paper Size from Macintosh

1. Load the custom-size paper in the tray.
2. In the application, click **File > Print**.
3. From the Paper Size list, select the custom paper size.
4. Click **Print**.

Paper and Media

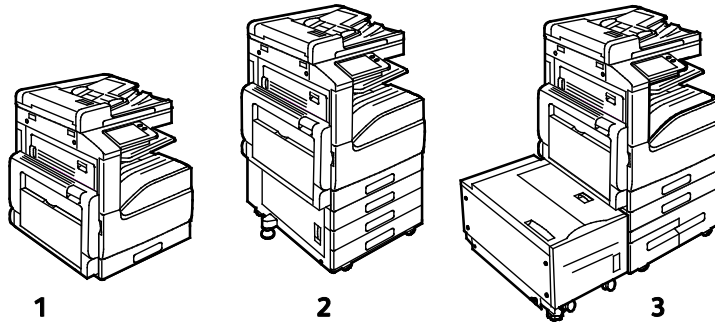
6

This chapter includes:

- Paper and Media Overview142
- Supported Paper143
- Paper Tray Settings.....148
- Loading Paper153
- Printing on Special Paper.....163

Paper and Media Overview

The printer can have up to six paper trays, depending on the paper tray configuration.



1. Base Model
 2. Configuration with 3-Tray Module
 3. Configuration with High-Capacity Tandem Tray Module and High-Capacity Feeder
- For all configurations, Tray 1 is an adjustable paper tray for loading a range of paper sizes.
 - For the 3-Tray configuration, Trays 2, 3, and 4 are adjustable trays similar to Tray 1.
 - For the Tandem Tray configuration, Tray 2 is an adjustable tray similar to Tray 1. Trays 3 and 4 are high-capacity trays that can hold A4, Letter, and Executive-size paper.
 - The Bypass Tray is designed for loading small amounts of special paper.

The optional Envelope Tray can replace Tray 1. Tray 6 is an optional external high-capacity paper tray that can hold A4, Letter, or Executive-size paper.

The printer can use various media types, such as plain, recycled, or colored paper, letterhead, pre-printed, cardstock, labels, and envelopes. Ensure that you use the correct media for the tray that you are loading.

Labels are affixed inside each tray to show the correct orientation for loading certain types of media. The MAX label shows the maximum fill line for the tray.

Supported Paper

This section includes:

- [Ordering Paper](#)..... 143
- [General Paper Loading Guidelines](#)..... 143
- [Paper That Can Damage Your Printer](#) 143
- [Paper Storage Guidelines](#) 144
- [Supported Paper Types and Weights](#)..... 145
- [Supported Standard Paper Sizes](#)..... 146
- [Supported Standard Paper Sizes for Automatic 2-Sided Printing](#) 147
- [Supported Paper Types and Weights for Automatic 2-Sided Printing](#) 147
- [Supported Custom Paper Sizes](#)..... 147

Your printer is designed to use various paper and other media types. To ensure the best print quality and to avoid jams, follow the guidelines in this section.

For best results, use Xerox paper and media recommended for your printer.

Ordering Paper

To order paper or other media, contact your local reseller or visit www.xerox.com/office/VLB70XXsupplies.

General Paper Loading Guidelines

- Do not overfill the paper trays. Do not load paper above the maximum fill line in the tray.
- Adjust the paper guides to fit the paper size.
- Fan paper before loading it in the paper tray.
- If excessive jams occur, use paper from a new package.
- Do not print on label media once a label has been removed from a sheet.
- Use only paper envelopes. Print envelopes 1-sided only.

Paper That Can Damage Your Printer

Some paper and other media types can cause poor output quality, increased paper jams, or damage your printer. Do not use the following:

- Rough or porous paper
- Inkjet paper
- Non-laser glossy or coated paper
- Paper that has been photocopied
- Paper that has been folded or wrinkled
- Paper with cutouts or perforations
- Stapled paper
- Envelopes with windows, metal clasps, side seams, or adhesives with release strips
- Padded envelopes
- Plastic media
- Transparencies



CAUTION: The Xerox Warranty, Service Agreement, or Xerox Total Satisfaction Guarantee does not cover damage caused by using unsupported paper or specialty media. The Xerox Total Satisfaction Guarantee is available in the United States and Canada. Coverage could vary outside these areas. Please contact your local representative for details.

Paper Storage Guidelines

Storing your paper and other media properly contributes to optimum print quality.

- Store paper in dark, cool, relatively dry locations. Most paper is susceptible to damage from ultraviolet and visible light. Ultraviolet light, from the sun and fluorescent bulbs, is particularly damaging to paper.
- Reduce the exposure of paper to strong lights for long periods of time.
- Maintain constant temperatures and relative humidity.
- Avoid storing paper in attics, kitchens, garages, or basements. These spaces are more likely to collect moisture.
- Store paper flat, either on pallets, cartons, shelves, or in cabinets.
- Avoid food or drinks in the area where paper is stored or handled.
- Do not open sealed packages of paper until you are ready to load them into the printer. Leave stored paper in the original packaging. The paper wrapper protects the paper from moisture loss or gain.
- Some special media is packaged inside resealable plastic bags. Store the media inside the bag until you are ready to use it. Keep unused media in the bag and reseal it for protection.

Supported Paper Types and Weights

Trays	Paper Types	Weights
Trays 1-4 of all configurations	Bond Hole-Punched Letterhead Plain Plain Reloaded Pre-Printed Recycled Custom	60–105 g/m ²
	Lightweight Cardstock	106–169 g/m ²
	Cardstock	170–216 g/m ²
	Heavyweight Cardstock Labels	217–256 g/m ² 106–256 g/m ²
Bypass Tray	Bond Hole-Punched Letterhead Plain Plain Reloaded Pre-Printed Recycled Custom	60–105 g/m ²
	Lightweight Cardstock	106–169 g/m ²
	Cardstock	170–216 g/m ²
	Labels	106–216 g/m ²
Tray 6	Envelopes	75–90 g/m ²
	Bond Hole-Punched Letterhead Plain Plain Reloaded Pre-Printed Recycled Custom	60–105 g/m ²
	Lightweight Cardstock	106–169 g/m ²
Envelope Tray	Cardstock	170–216 g/m ²
	Labels	106–216 g/m ²
	Envelopes	75–90 g/m ²

Supported Standard Paper Sizes

Tray	European Standard Sizes	North American Standard Sizes
Trays 1 and 2 in all configurations Trays 3 and 4 in the 3-Tray module	A5 (148 x 210 mm, 5.8 x 8.3 in.) B5 (176 x 250 mm, 6.9 x 9.8 in.) A4 (210 x 297 mm, 8.3 x 11.7 in.) B4 (250 x 353 mm, 9.8 x 13.9 in.) A3 (297 x 420 mm, 11.7 x 16.5 in.)	Statement (140 x 216 mm, 5.5 x 8.5 in.) Executive (184 x 267 mm, 7.25 x 10.5 in.) Letter (216 x 279 mm, 8.5 x 11 in.) US Folio (216 x 330 mm, 8.5 x 13 in.) Legal (216 x 356 mm, 8.5 x 14 in.) Tabloid (432 x 279 mm, 17 x 11 in.)
Trays 3 and 4 in the Tandem Tray Module	A4 (210 x 297 mm, 8.3 x 11.7 in.)	Executive (184 x 267 mm, 7.25 x 10.5 in.) Letter (216 x 279 mm, 8.5 x 11 in.)
Bypass Tray	A6 (105 x 148 mm, 4.1 x 5.8 in.) A5 (148 x 210 mm, 5.8 x 8.3 in.) A4 (210 x 297 mm, 8.3 x 11.7 in.) A4 Oversized (223 x 297 mm, 8.8 x 11.7 in.) 215 x 315 (215 x 315 mm, 8.5 x 12.4 in.) A3 (297 x 420 mm, 11.7 x 16.5 in.) B6 (125 x 176 mm, 4.9 x 6.9 in.) B5 (176 x 250 mm, 6.9 x 9.8 in.) B4 (250 x 353 mm, 9.8 x 13.9 in.)	Postcard (89 x 140 mm, 3.5 x 5.5 in.) Postcard (102 x 152 mm, 4 x 6 in.) 5 x 7 (127 x 178 mm, 5 x 7 in.) Statement (140 x 216 mm, 5.5 x 8.5 in.) Executive (184 x 267 mm, 7.25 x 10.5 in.) 8 x 10 (203 x 254 mm, 8 x 10 in.) Letter (216 x 279 mm, 8.5 x 11 in.) US Folio (216 x 330 mm, 8.5 x 13 in.) Legal (216 x 356 mm, 8.5 x 14 in.) Tabloid (279 x 432 mm, 11 x 17 in.)
	DL envelope (110 x 220 mm, 4.33 x 8.66 in.) C6 envelope (114 x 162 mm, 4.5 x 6.38 in.) C5 envelope (162 x 229 mm, 6.4 x 9 in.)	Envelope (152 x 228 mm, 6 x 9 in.) Envelope (228 x 305 mm, 9 x 12 in.) Monarch envelope (98 x 190 mm, 3.9 x 7.5 in.) No. 9 envelope (98 x 225 mm, 3.9 x 8.9 in.) No. 10 envelope (105 x 241 mm, 4.1 x 9.5 in.)
Tray 6	A4 (210 x 297 mm, 8.3 x 11.7 in.)	Executive (184 x 267 mm, 7.25 x 10.5 in.) Letter (216 x 279 mm, 8.5 x 11 in.)
Envelope Tray	DL envelope (110 x 220 mm, 4.33 x 8.66 in.) C5 envelope (162 x 229 mm, 6.4 x 9 in.)	Monarch envelope (98 x 190 mm, 3.9 x 7.5 in.) No. 10 envelope (241 x 105 mm, 4.1 x 9.5 in.)

Supported Standard Paper Sizes for Automatic 2-Sided Printing

European Standard Sizes	North American Standard Sizes
A5 (148 x 210 mm, 5.8 x 8.3 in.)	Statement (140 x 216 mm, 5.5 x 8.5 in.)
A4 (210 x 297 mm, 8.3 x 11.7 in.)	Executive (184 x 267 mm, 7.25 x 10.5 in.)
A4 Oversized (223 x 297 mm, 8.8 x 11.7 in.)	8 x 10 (203 x 254 mm, 8 x 10 in.)
215 x 315 (215 x 315 mm, 8.5 x 12.4 in.)	Letter (216 x 279 mm, 8.5 x 11 in.)
A3 (297 x 420 mm, 11.7 x 16.5 in.)	8.5 x 13 (216 x 330 mm, 8.5 x 13 in.)
B5 (176 x 250 mm, 6.9 x 9.8 in.)	Legal (216 x 356 mm, 8.5 x 14 in.)
B4 (250 x 353 mm, 9.8 x 13.9 in.)	Ledger (432 x 279 mm, 17 x 11 in.)
	Postcard (152 x 229 mm, 6 x 9 in.)

Supported Paper Types and Weights for Automatic 2-Sided Printing

Trays	Paper Types	Weights
Trays 1–4 of all configurations, Bypass Tray, Tray 6	Bond Hole-Punched Letterhead Plain Pre-Printed Recycled Custom	60–105 g/m ²
	Lightweight Cardstock	106–169 g/m ²

Supported Custom Paper Sizes

Tray Number	Paper Sizes
Trays 1 and 2 in all configurations Trays 3 and 4 in the 3-Tray Module	Minimum: 139.7 x 182 mm (5.5 x 8.3 in.) Maximum: 297 x 432 mm (11.7 x 17 in.)
Bypass Tray	Minimum: 105 x 135 mm (4.25 x 5.3 in.) Maximum: 297 x 432 mm (11.7 x 17 in.)
Envelope Tray	Minimum: 148 x 98 mm (5.8 x 3.9 in.) Maximum: 241 x 162 mm (9.5 x 6.4 in.)

Note: Trays 3 and 4 in the Tandem Tray Module and Tray 6 do not support custom paper sizes.

Paper Tray Settings

This section includes:

- [Configuring Tray Settings.....](#) 148
- [Configuring Trays 3 and 4 of the Tandem Tray Module.....](#) 148
- [Configuring Tray 6](#) 149

Configuring Tray Settings

The system administrator can set Trays 1–4 of all configurations to Fully Adjustable mode or Dedicated mode. When a paper tray is set to Fully Adjustable mode, you can change paper settings each time that you load the tray. When a paper tray is set to Dedicated mode, the control panel prompts you to load a specific paper size, type, and color.

Note: To configure tray settings, log in as the system administrator. For details, refer to the *System Administrator Guide* at www.xerox.com/office/VLB70XXdocs.

To configure the tray settings:

1. At the printer control panel, touch **Device**.
2. Touch **Paper Trays**, then select the required tray.
 - To set the mode, touch **Tray Mode**, then select an option.
 - To specify the paper settings for a dedicated tray, ensure that Tray Mode is set to Dedicated, then set the paper size, type, and color.
 - To configure the printer to select the tray automatically, touch the **Auto Select** toggle button.
 - To set the priority for each tray, touch the plus icon (+) or the minus icon (-). The printer uses paper from the Priority 1 tray first. If that tray is empty, the printer uses paper from the Priority 2 tray.
3. Touch **OK**.
4. To return to the home screen, press the **Home** button.

Configuring Trays 3 and 4 of the Tandem Tray Module

Trays 3 and 4 in the Tandem Tray Module are high-capacity paper trays. Configure Trays 3 and 4 to support the paper in use.

If you are configuring the trays for the first time, configure them for the paper size that you need. If you change the paper size, reconfigure the tray for the new paper size. For details on supported paper sizes, refer to [Supported Standard Paper Sizes](#) on page 146.

To configure Trays 3 and 4 in the Tandem Tray Module:

Note: Before you make any tray adjustments, compare the paper size to the current Tray 3 and 4 configurations. If the paper size matches the tray configuration, no tray adjustment is needed.

1. Remove any paper from the tray.
2. Pinch the guide lock on the front paper guide, then slide the paper guide to the required paper size.
3. To lock the paper guides into place, release the guide lock.

Note: The paper guides lock into place only at the designated standard paper sizes.

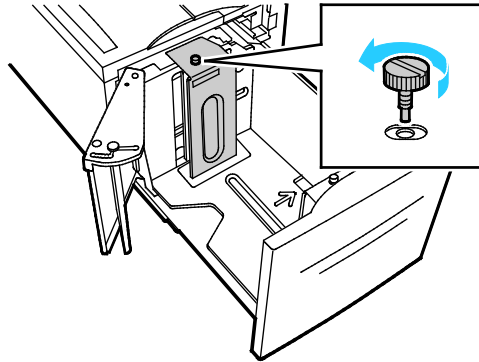
Configuring Tray 6

Tray 6 is a dedicated high-capacity feeder. You can configure Tray 6 to support the paper size that you will use. For details on supported paper sizes, refer to [Supported Standard Paper Sizes](#) on page 146.

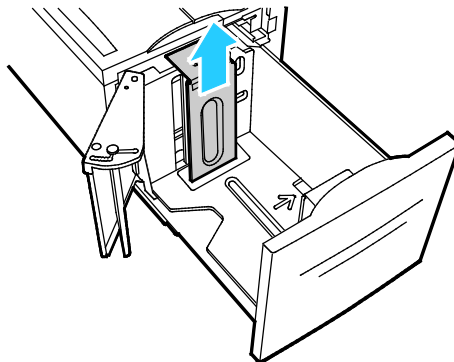
To configure Tray 6:

Note: Before you make any tray adjustments, compare the paper size to the current Tray 6 configuration. If the paper size matches the tray configuration, no tray adjustment is needed.

1. Remove the screw that holds the spacer plate at the back of the tray.

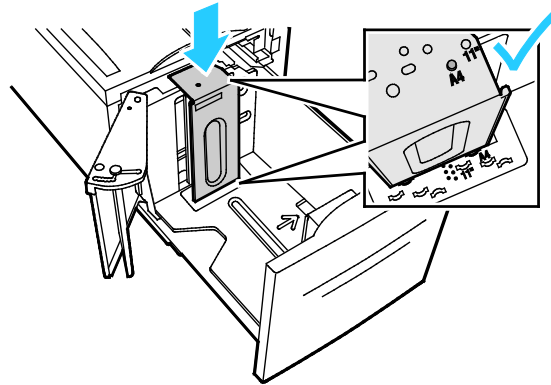


2. To remove the spacer plate, grasp the spacer plate and lift upward.

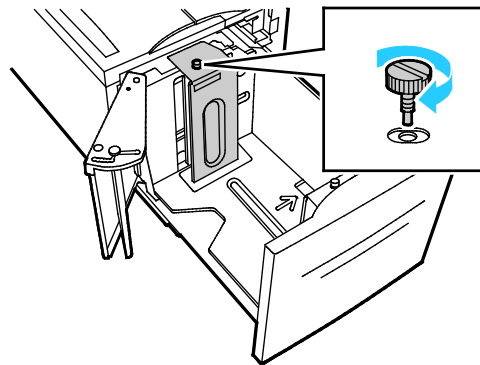


3. Place the tabs at the bottom of the spacer plate into the slots in the bottom of Tray 6 that correspond with the paper size.

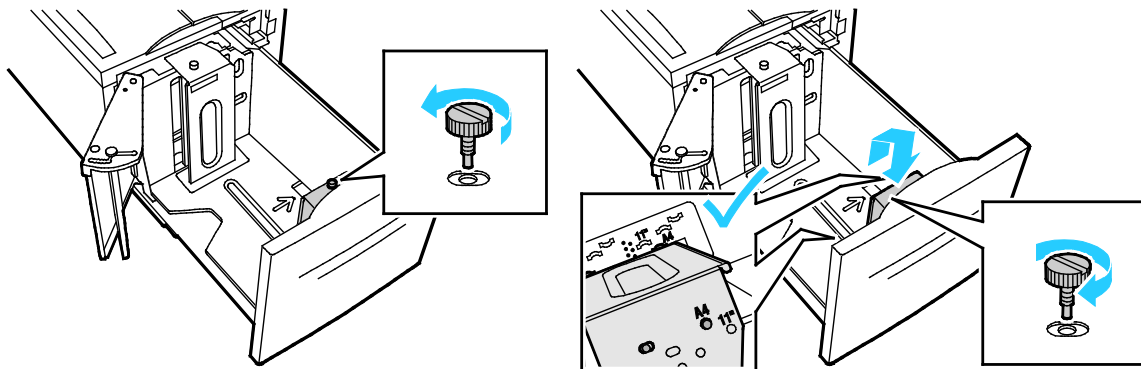
- Slide the top of the spacer plate down to engage the peg on the back of the tray into the matching hole in the plate.



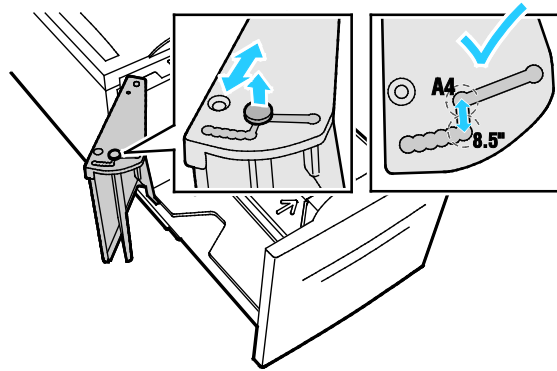
- Install the screw to secure the spacer plate.



- Repeat these steps for the spacer plate at the front of Tray 6.



7. On the top of the side gate, locate the pin.
8. Lift the pin, then guide it to the desired paper size in the slot.
9. Release the pin to lock the side gate into place.



Loading Paper

This section includes:

- [Loading Paper in Trays 1–4](#) 153
- [Loading Paper in Trays 3 and 4 of the Tandem Tray Module](#)..... 156
- [Loading Paper in the Bypass Tray](#) 158
- [Loading Paper in Tray 6](#) 161

Loading Paper in Trays 1–4

You use the same method to load paper in Trays 1 and 2, and for Trays 3 and 4 when they are part of the 3-Tray Module. For instructions on how to load paper in Trays 3 and 4 when they are part of the Tandem Tray Module, refer to [Loading Paper in Trays 3 and 4 of the Tandem Tray Module](#) on page 156.

The system administrator can set Trays 1–4 to Fully Adjustable mode or Dedicated mode. Each time a tray is opened and closed, the paper settings appear on the control panel.

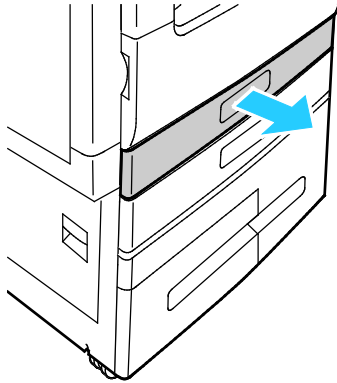
- When trays are configured as Fully Adjustable, you can confirm or change the media settings. The tray guides automatically detect the size of paper that is loaded.
- When trays are configured as Dedicated, the control panel displays the media settings for the tray. A warning message appears on the control panel when the wrong media is loaded, or when the tray guides are set incorrectly.

Note: Only the system administrator can change the media settings for a Dedicated tray. For details on configuring tray settings, refer to [Configuring Tray Settings](#) on page 148.

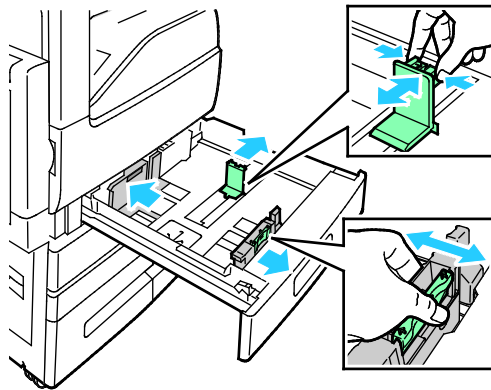
When the paper in the tray is in short supply, or when a tray is empty, a warning message appears on the control panel.

To load paper in Trays 1–4:

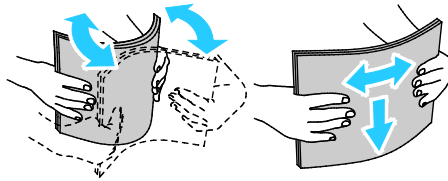
1. Pull out the tray until it stops.



2. Remove any paper that is a different size or type.
3. To move out the length or width paper guides, pinch the guide locks, then slide out the length or width paper guides.



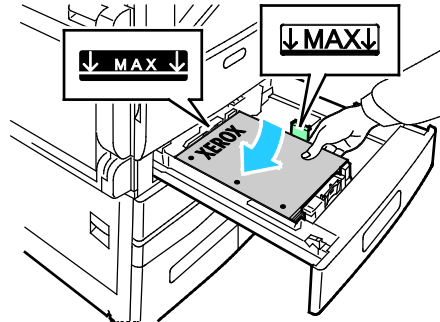
4. Flex the sheets back and forth and fan them, then align the edges of the stack on a level surface. This procedure separates any sheets that are stuck together and reduces the possibility of jams.



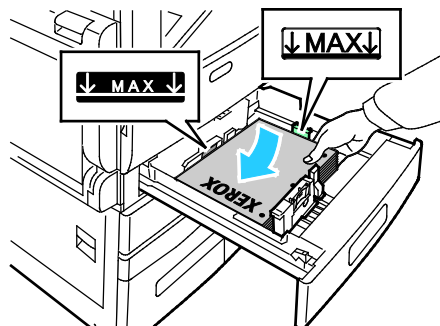
Note: To avoid jams and misfeeds, do not remove paper from its packaging until you are ready to use it.

5. Load paper in the tray. Do one of the following:

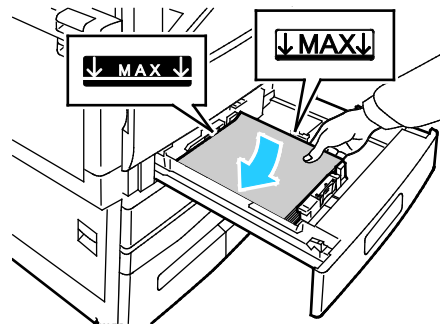
- For long-edge feed:
 - Insert letterhead and pre-printed paper face up with the top edge toward the back.
 - Load hole-punched paper with the holes to the left.



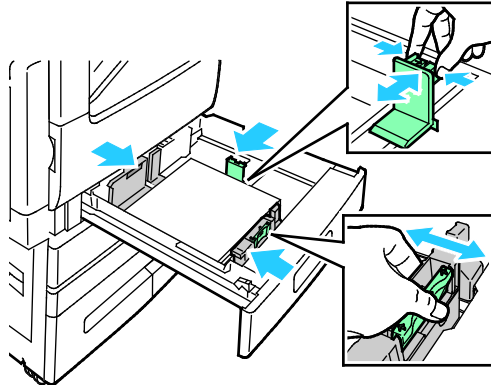
- For short-edge feed:
 - Insert letterhead and pre-printed paper face up with the top edge to the left.
 - Load hole punched paper with the holes toward the front of the printer.



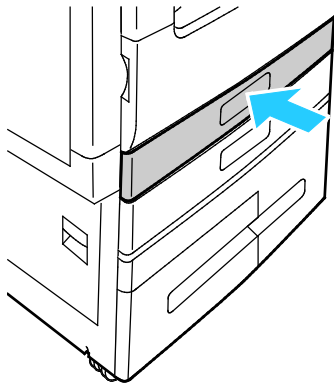
Note: Do not load paper above the maximum fill line. Overfilling the tray can cause paper jams.



6. To adjust the length and width guides to fit the paper, pinch the guide locks, then slide the paper guides in until they touch the paper.



7. Slide the tray back into the printer.



8. To change the settings to match the paper loaded in the tray, at the control panel, select the correct options for paper size, type, and color.
9. To confirm the settings, touch **OK**.

Note: To change the paper settings when the tray is set to Dedicated mode, refer to [Configuring Tray Settings](#) on page 149.

Loading Paper in Trays 3 and 4 of the Tandem Tray Module

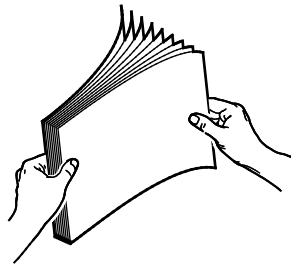
The control panel displays a warning message when the paper in the tray is in short supply, or when a tray is empty.

To change the paper size in Trays 3 and 4, refer to [Configuring Trays 3 and 4 of the Tandem Tray Module](#) on page 148.

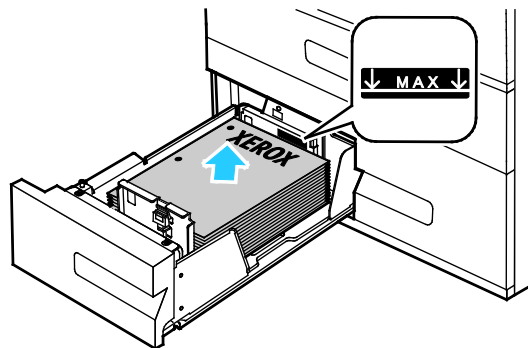
To load paper in Trays 3 and 4 of the Tandem Tray Module:

1. Pull out the tray until it stops. Wait for the tray to lower and stop.
2. Fan the edges of the paper before loading it into the paper trays. This procedure separates any sheets of paper that are stuck together and reduces the possibility of paper jams.

Note: To avoid paper jams and misfeeds, do not remove paper from its packaging until necessary.

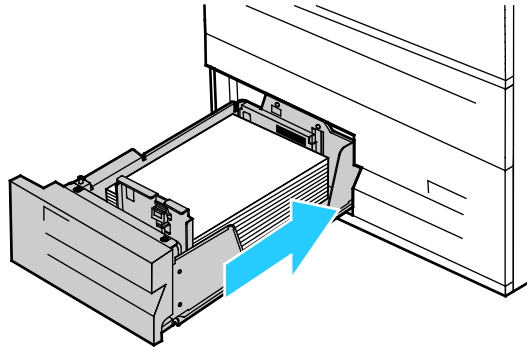


3. Stack the paper against the left-rear corner of the tray.
 - Insert letterhead and pre-printed paper face up with the top edge toward the back.
 - Load hole-punched paper with the holes to the left.



Note: Do not load paper above the maximum fill line. Overfilling the tray can cause paper jams.

- Slide the tray back into the printer.



- To change the settings to match the loaded paper, at the control panel, select the correct options for paper type and color.
- To confirm the settings, touch **OK**.

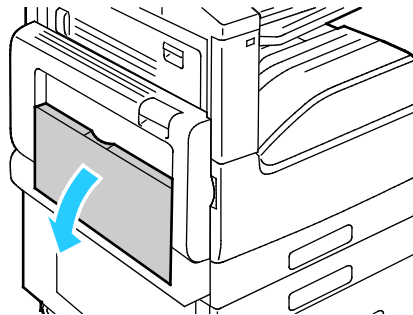
Note: To change the paper settings when the tray is set to Dedicated mode, refer to [Configuring Tray Settings](#) on page 148.

Loading Paper in the Bypass Tray

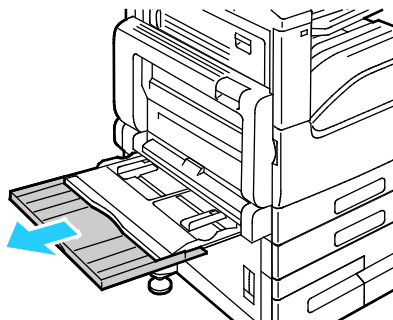
The Bypass Tray supports the widest variety of media types. It is intended primarily for small-quantity jobs that use special media.

To load paper in the bypass tray:

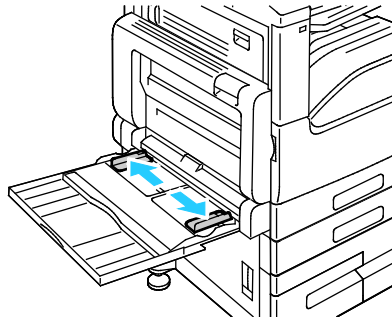
- Open the bypass tray. If the bypass tray is loaded with paper already, remove any paper that is a different size or type.



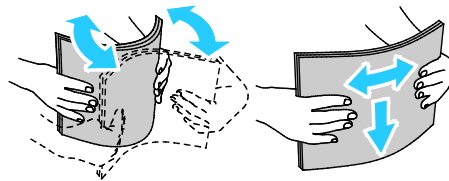
- Pull out the extension tray for larger sizes.



3. Move the width guides to the edges of the tray.

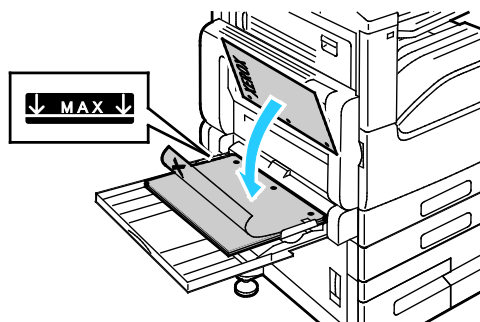


4. Flex the sheets back and forth and fan them, then align the edges of the stack on a level surface. This procedure separates any sheets that are stuck together and reduces the possibility of jams.

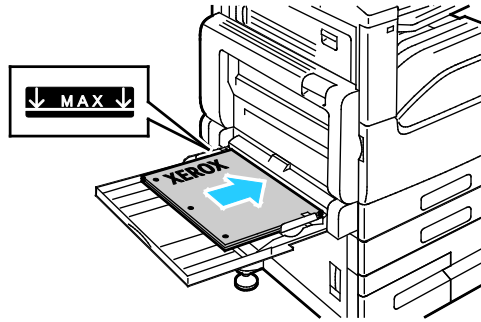


Note: To avoid jams and misfeeds, do not remove paper from its packaging until you are ready to use it.

5. Load the paper in the tray.
 - For long-edge feed:
 - For 1-sided printing, load letterhead or pre-printed paper face down with the top edge toward the back. Load hole-punched paper with the holes to the right.

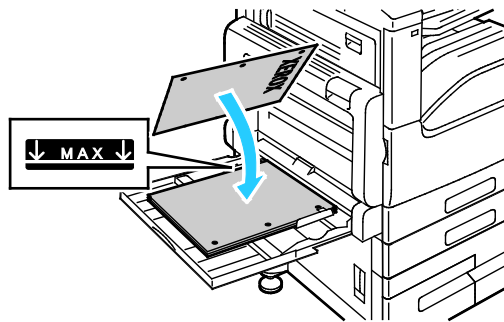


- For 2-sided printing, load letterhead or pre-printed paper face up with the top edge toward the back. Load hole-punched paper with the holes to the left.

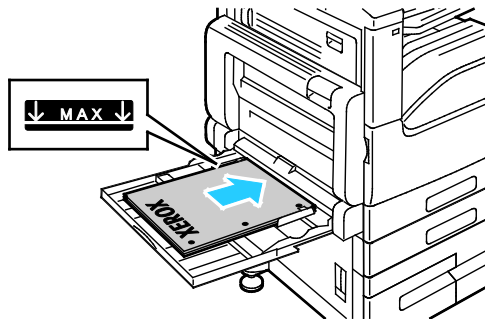


– For short-edge feed:

- For 1-sided printing, load letterhead or pre-printed paper face down with the top edge to the right. Load hole-punched paper with the holes toward the front.

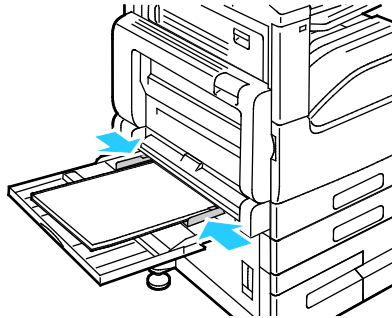


- For 2-sided printing, load letterhead or pre-printed paper face up with the top edge to the left. Load hole-punched paper with the holes toward the front.



Note: Do not load paper above the maximum fill line on the width guides. Overfilling the tray can cause the printer to jam.

- Adjust the width guides until they touch the edges of the paper.



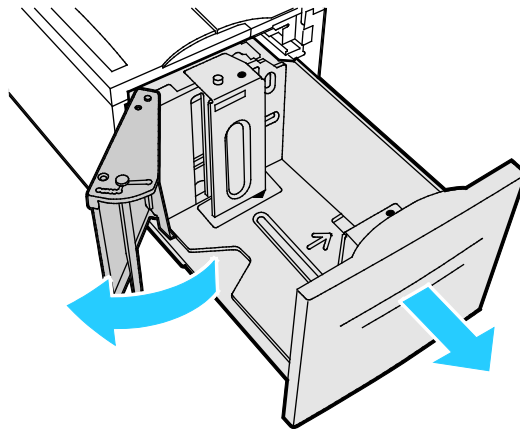
- To change the settings to match the loaded paper, at the control panel, select the correct options for paper size, type, and color.
- To confirm the settings, touch **OK**.

Loading Paper in Tray 6

The control panel displays a warning message when the paper in the tray is in short supply, or when the tray is empty.

To change the paper size in Tray 6, refer to [Configuring Tray 6](#) on page 149.

- Pull out Tray 6 from the high-capacity feeder until it stops. Open the side gate until it stops.



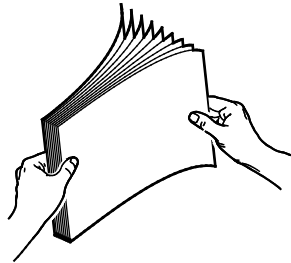
- Wait for the tray to lower and stop.

3. The control panel displays the paper tray settings. Ensure that you load the correct paper type into the tray.

Note: Do not load custom-size paper into Tray 6.

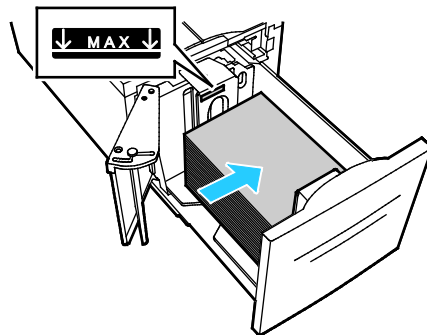
4. Fan the edges of the paper before loading it into the paper trays. This procedure separates any sheets of paper that are stuck together and reduces the possibility of paper jams.

Note: To avoid paper jams and misfeeds, do not remove paper from its packaging until necessary.

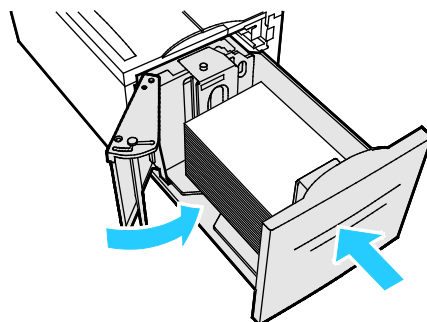


5. Load the paper against the right side of the tray.
 - Place letterhead or pre-printed paper face up with the top edge toward the back of the tray.
 - Place hole-punched paper with the holes toward the left side of the tray.

Note: Do not load paper above the maximum fill line. Overfilling can cause paper jams.



6. Close the side gate. Close Tray 6.



Printing on Special Paper

This section includes:

- [Envelopes](#) 163
- [Labels](#) 167

To order paper or other media, contact your local reseller or visit www.xerox.com/office/VLB70XXsupplies.

For reference:

www.xerox.com/rmlna Recommended Media List (United States)

www.xerox.com/rmlau Recommended Media List (Europe)

Envelopes

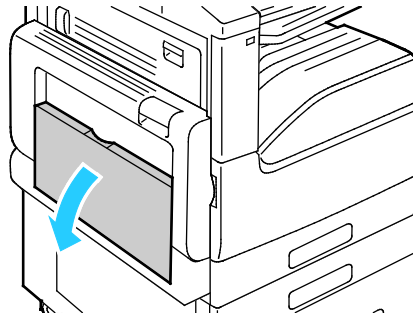
You can print envelopes from the Bypass Tray. When the optional Envelope Tray is installed, you can print envelopes from the Envelope Tray.

Guidelines for Printing Envelopes

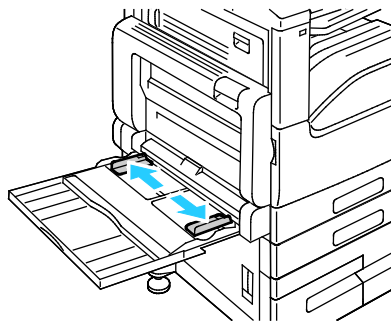
- Use only paper envelopes.
- Do not use envelopes with windows or metal clasps.
- Print quality depends on the quality and construction of the envelopes. If you do not get the desired results, try another envelope brand.
- Maintain constant temperatures and relative humidity.
- Store unused envelopes in their packaging to avoid excess moisture and dryness which can affect print quality and cause wrinkling. Excessive moisture can cause the envelopes to seal before or during printing.
- Remove air bubbles from the envelopes before loading them into the tray by setting a heavy book on top of them.
- In the print driver software, select Envelope as the paper type.
- Do not use padded envelopes. Use envelopes that lie flat on a surface.
- Do not use envelopes with heat activated glue.
- Do not use envelopes with press and seal flaps.

Loading Envelopes in the Bypass Tray

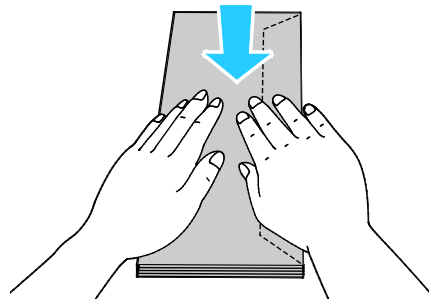
1. Open the bypass tray.



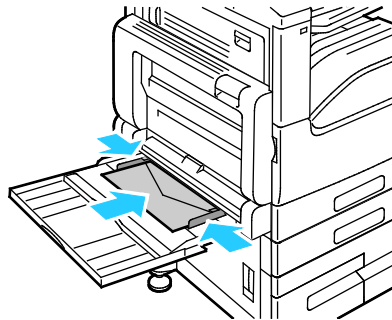
2. Move the width guides to the edges of the tray.



Note: If you do not load envelopes in the bypass tray right after they have been removed from the packaging, they can bulge. To avoid jams, flatten the envelopes.



3. Load Number 10, C5, DL, or Monarch envelopes with flaps facing up and the long edge going into the printer first.



Note: For envelopes to print correctly, when you load envelopes with the flaps open, in the print driver, set the orientation as needed. To flip the images, in the print driver, select **Rotate Image 180 Degrees**.

4. If the control panel prompts you, verify the size, type and color on the screen. If you are not prompted, change the paper settings.
 - a. At the printer control panel, press the **Home** button.
 - b. Touch **Device > Paper Trays**.
 - c. In the Paper Trays menu, touch the bypass tray icon.
 - To select an envelope size, touch the current size setting, then select the required size.
 - To select a paper type, touch the current paper type, then select **envelope**.
 - To select an envelope color, touch the current paper color, then select an envelope color.
 - d. To save the settings, touch **OK**.
5. To return to the Home screen, press the **Home** button.

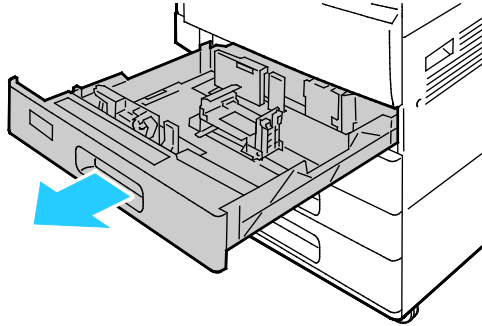
Loading the Envelope Tray

You can use the optional Envelope Tray in place of Tray 1. The Envelope Tray is a dedicated tray and holds the following envelope sizes:

- Monarch and No.10
- DL and C5

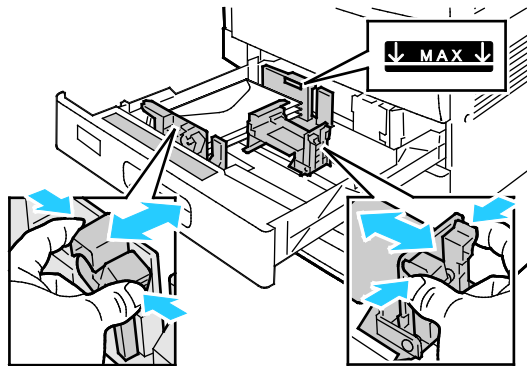
To load the Envelope Tray:

1. Pull out the Envelope Tray until it stops.



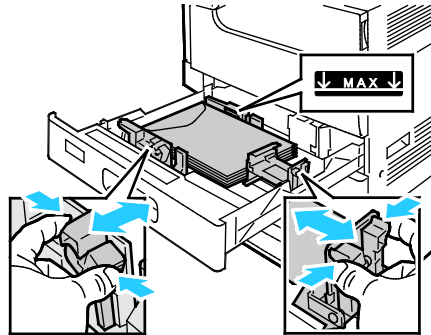
2. Load envelopes, in the tray:

- For DL, Monarch, No. 10, and C5 envelopes with the flap on a long edge, load envelopes face down with the flaps closed, and flaps toward the left.
 - Adjust the paper guides so that they rest lightly against the edges of the envelopes. Ensure that the maximum fill line is visible or that there are no more than 50 envelopes loaded in the tray.

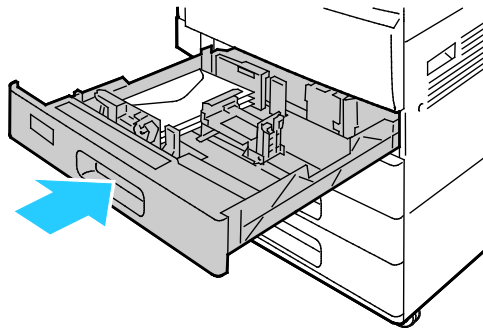


- For C5 envelopes with the flap on a short edge, load envelopes face down with the flap closed, and flap toward the left.

- Adjust the paper guides so that they rest lightly against the edges of the envelopes. Ensure that the maximum fill line is visible or that there are no more than 50 envelopes loaded in the tray.



3. Close the tray.



4. The control panel displays the Paper Settings.
 - To select a new envelope size, touch **Size**.
 - To select a new paper color, touch **Color**.

Note: When you select an envelope size, the paper type defaults to Envelope.
5. To confirm the settings, touch **Confirm**.

Labels

You can print labels from any tray.

Guidelines for Printing Labels

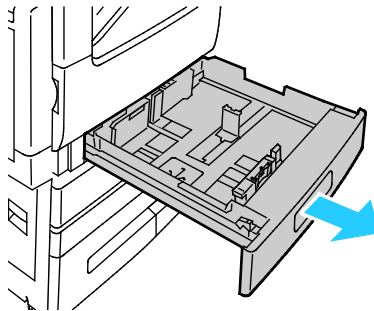
- Use labels designed for laser printing.
- Do not use vinyl labels.
- Do not feed a sheet of labels through the printer more than once.
- Do not use dry gum labels.
- Print only on one side of the sheet of labels. Use full sheet labels only.
- Store unused labels flat in their original packaging. Leave the sheets of labels inside the original packaging until ready to use. Return any unused sheets of labels to the original packaging and reseal it.
- Do not store labels in extremely dry or humid conditions or extremely hot or cold conditions. Storing them in extreme conditions can cause print-quality problems or cause them to jam in the printer.
- Rotate stock frequently. Long periods of storage in extreme conditions can cause labels to curl and jam in the printer.
- In the print driver software, select Label as the paper type.
- Before loading labels, remove all other paper from the tray.



CAUTION: Do not use any sheet where labels are missing, curled, or pulled away from the backing sheet. It could damage the printer.

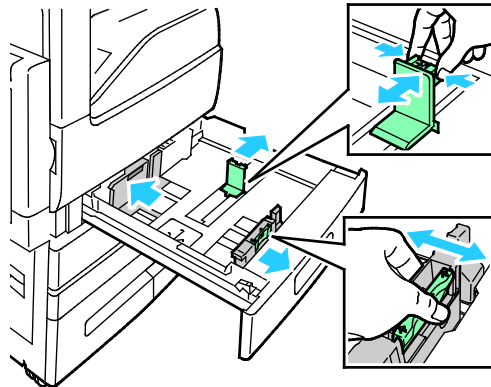
Loading Labels in Trays 1 and 2

1. Pull out the tray until it stops.



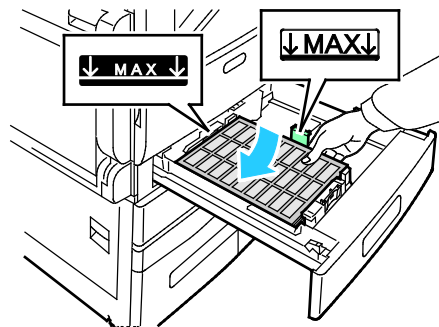
2. Ensure that the paper guides are set in the correct position for the size labels you are loading.
3. Remove any paper that is a different size or type.

4. To move out the length or width paper guide, release the guide lock, then slide out the length or width paper guide.

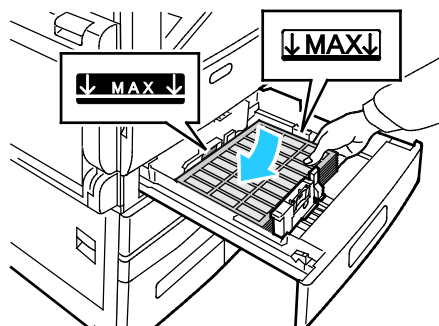


5. Load labels in the tray.

- For long-edge feed, insert labels face up with the top edge toward the back.

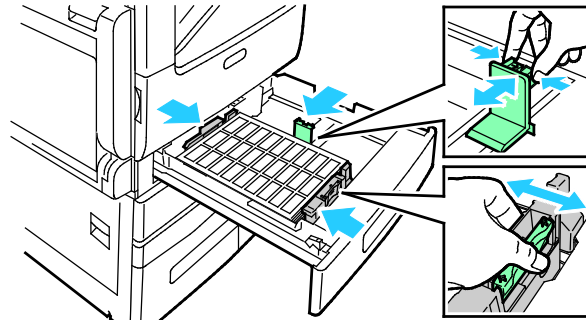


- For short-edge feed, insert labels face up with the top edge to the left.

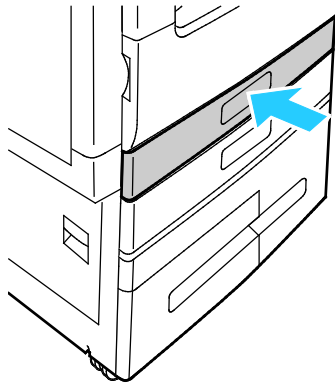


Note: Do not load paper above the maximum fill line. Overfilling the tray can cause paper jams.

- Adjust the length and width guides to fit the paper.



- Slide the tray back into the printer.



- At the control panel, select the correct paper size, type, and color. Ensure that the paper type is set to Labels.

Note: To change the paper settings when the tray is set to Dedicated mode, refer to [Configuring Tray Settings](#) on page 149.

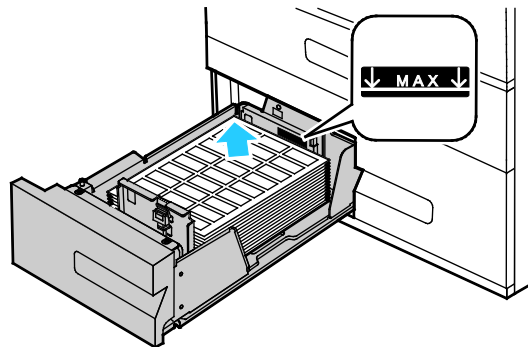
- To confirm the settings, touch **OK**.
- To return to the Home screen, press the **Home** button.

Loading Labels in Trays 3 and 4

1. Pull out Tray 3 or Tray 4 until it stops. Wait for the tray to lower and stop.

Note: Ensure that labels are the correct size for the tray. Do not load custom-size paper into Trays 3 or 4.

2. To load labels in the tray, insert labels face up with the top edge toward the back. Stack the labels against the left-rear corner of the tray as shown.



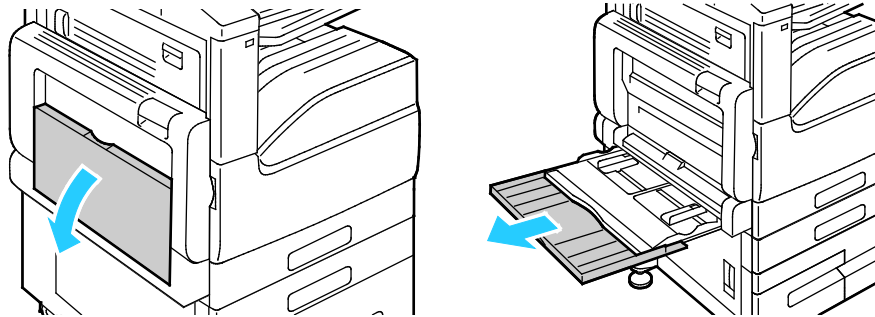
3. Slide the tray back into the printer.
4. At the control panel, select the correct paper type and color. Ensure that the paper type is set to Labels.

Note: To change the paper settings when the tray is set to Dedicated mode, refer to [Configuring Tray Settings](#) on page 149.

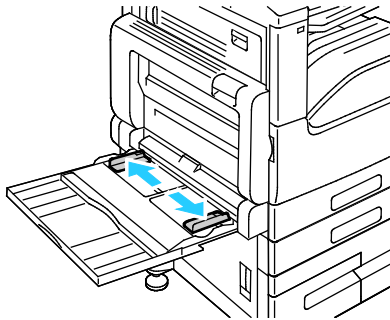
5. To confirm the settings, touch **OK**.
6. To return to the Home screen, press the **Home** button.

Loading Labels in the Bypass Tray

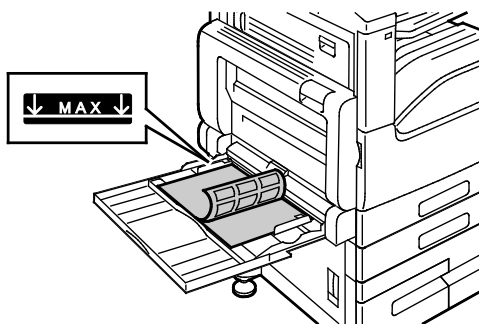
1. Open the bypass tray, then for larger sizes of paper, pull out the extension tray. Remove any paper that is a different size or type.



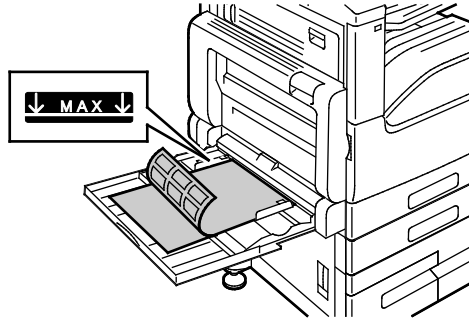
2. Move the width guides to the edges of the tray.



3. Load labels in the tray.
 - For long-edge feed, load labels face down with the top edge toward the back of the printer.

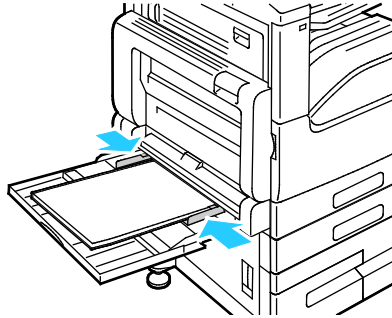


- For short-edge feed, load labels face down with the top edge to the right.



Note: Do not load paper above the maximum fill line. Overfilling the tray can cause the printer to jam.

4. Adjust the width guides until they touch the edges of the paper.



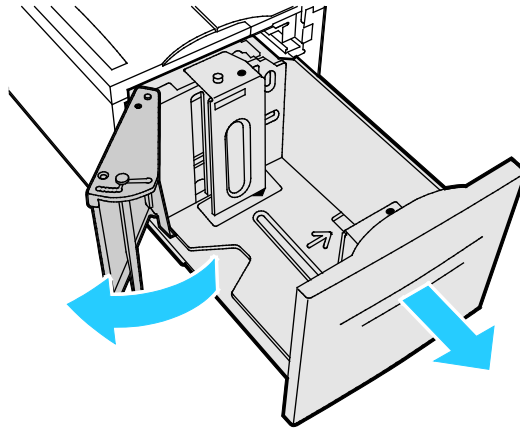
5. At the control panel, select the correct paper size, type, and color. Ensure that the paper type is set to Labels.

Note: To change the paper settings when the tray is set to Dedicated mode, refer to [Configuring Tray Settings](#) on page 149.

6. To confirm the settings, touch **OK**.
7. To return to the Home screen, press the **Home** button.

Loading Labels in Tray 6

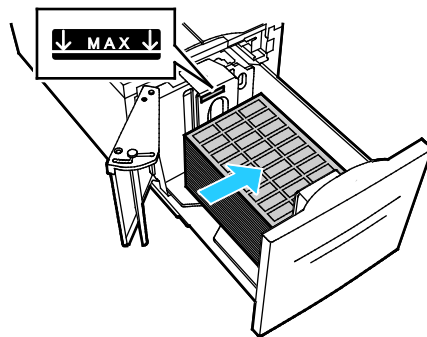
1. Pull out Tray 6 from the high-capacity feeder until it stops. Open the side gate until it stops.



2. Wait for the tray to lower and stop.

Note: Ensure that labels are the correct size for the tray. Do not load custom-size paper into Tray 6.

3. To load labels in the tray, insert labels face up with the top edge toward the back. Stack the labels against the right side of the tray as shown.



Note: Do not load paper above the maximum fill line. Overfilling the tray can cause paper jams.

4. Close the tray door.
5. At the control panel, select the correct paper type and color. Ensure that the paper type is set to Labels.

Note: To change the paper settings when the tray is set to Dedicated mode, refer to [Configuring Tray Settings](#) on page 149.

6. To confirm the settings, touch **OK**.
7. To return to the Home screen, press the **Home** button.

Maintenance

7

This chapter includes:

- General Precautions..... 176
- Cleaning the Printer 177
- Supplies 181
- Adjustments and Maintenance Procedures..... 193
- Managing the Printer 196
- Moving the Printer..... 198

General Precautions



CAUTION: When cleaning your printer do not use organic or strong chemical solvents or aerosol cleaners. Do not pour fluids directly into any area. Use supplies and cleaning materials only as directed in this documentation.



WARNING: Keep all cleaning materials out of the reach of children.



WARNING: Do not use pressurized spray cleaning aids on or in the printer. Some pressurized sprays contain explosive mixtures and are not suitable for use in electrical applications. Use of pressurized spray cleaners increases the risk of fire and explosion.



WARNING: Do not remove the covers or guards that are fastened with screws. You cannot maintain or service any parts that are behind these covers and guards. Do not attempt any maintenance procedure that is not described in the documentation supplied with your printer.



WARNING: Internal parts of the printer can be hot. Use caution when doors and covers are open.

- Do not place anything on top of the printer or its accessories.
- Do not leave the covers and doors open for any length of time, especially in well-lit places. Light exposure can damage the drum cartridge.
- Do not open covers and doors during printing.
- Do not tilt the printer while it is in use.
- Do not touch the electrical contacts or gears. Doing so could damage the printer and cause the print quality to deteriorate.
- Ensure any parts removed during cleaning are replaced before you plug in the printer.

Cleaning the Printer

This section includes:

- [Cleaning the Exterior of the Printer](#) 177
- [Cleaning the Interior](#) 178

Cleaning the Exterior of the Printer

Clean the exterior of the printer once a month.

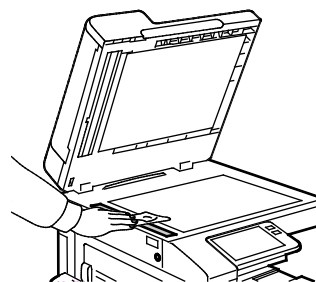
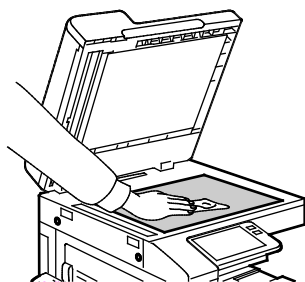
- Wipe the paper tray, output tray, control panel, and other parts with a damp, soft cloth.
- After cleaning, wipe with a dry, soft cloth.
- For stubborn stains, apply a small amount of mild detergent to the cloth and gently wipe the stain off.

Cleaning the Scanner

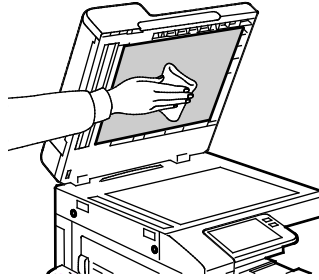
To ensure optimum print quality, clean the document glass regularly. Cleaning helps avoid output with streaks, smears, and other marks that transfer from the glass while scanning documents.

1. Slightly dampen a soft, lint-free cloth with water.
2. Remove any paper or other media from the output tray.
3. Open the document cover.
4. Wipe the surfaces of the document glass and CVT glass until they are clean and dry.

Note: For best results, to remove marks and streaks, use Xerox® Glass Cleaner.



5. Wipe the white underside of the document cover until it is clean and dry.

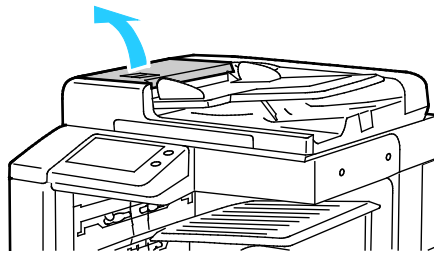


6. Close the document cover.

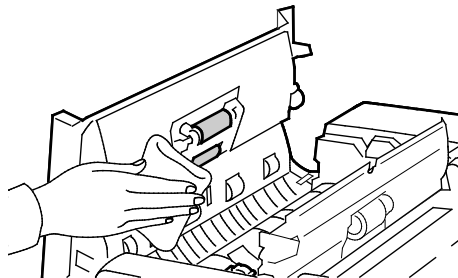
Cleaning the Duplex Automatic Document Feeder Rollers

Ensure that you clean the Duplex Automatic Document Feeder Rollers when you clean the scanner.

1. Lift the lever, then open the top cover of the document feeder.



2. With a clean, lint-free cloth that is moistened with water, wipe the feed rollers until they are clean.



3. Close the document feeder top cover.

Cleaning the Interior

Clean the interior of the printer regularly to prevent stains inside the printer that can deteriorate print quality. Clean the printer interior whenever you replace a drum cartridge.

After clearing paper jams or replacing a toner cartridge, inspect inside the printer before closing the printer covers and doors.

- Remove any remaining pieces of paper or debris. For details, refer to [Clearing Paper Jams](#) on page 208.
- Remove any dust or stains with a clean, dry, lint-free cloth.

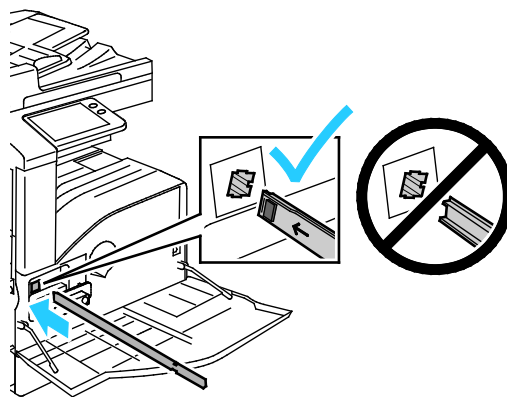
⚠ WARNING: Never touch a caution-labeled area in the fuser. You can get burned. If a sheet of paper is wrapped around the inside of the fuser, do not try to remove it immediately. Power off the printer immediately and wait 40 minutes for the fuser to cool. Try to remove the paper jam after the printer has cooled. If the error persists, contact your Xerox representative.

Cleaning the Printhead Lens

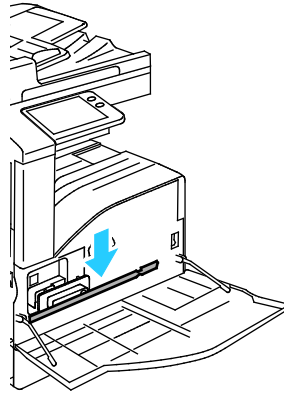
The print head LED lens requires regular cleaning to maintain print quality. Clean the print head LED lens every time the drum cartridge is replaced or if print quality starts to degrade.

CAUTION: Do not perform this procedure when the printer is copying or printing.

1. Remove, then replace the drum cartridge. Refer to the installation instructions that area included with the new drum cartridge.
2. Remove the print head LED lens-cleaning rod from inside the front door.
3. Slowly push the cleaning rod into the printer until it stops, then pull it out. Repeat this action two more times.



4. Return the cleaning rod to its original location.



5. Close the printer front cover.

Supplies

This section includes:

- [Consumables](#) 181
- [Routine Maintenance Items](#)..... 181
- [Ordering Supplies](#)..... 189
- [Toner Cartridges](#) 192
- [Recycling Supplies](#) 192

Consumables

Consumables supplies are printer supplies that become depleted during the operation of the printer. Consumable supplies for this printer include the following:

- Genuine Xerox® Black Toner Cartridge
- Staple Cartridge for the Optional Integrated Finisher or Office Finisher
- Staple Cartridges for the Optional Finisher with Booklet Maker

Notes:

- Each consumable includes installation instructions. To replace consumables, refer to the instructions included with the consumable supply.
- Only install new cartridges in your printer. If a used toner cartridge is installed, then the toner remaining amount displayed can be inaccurate.
- To ensure print quality, the toner cartridge is designed to cease functioning at a predetermined point.



CAUTION: Use of toner other than genuine Xerox® Toner can affect print quality and printer reliability. Xerox® Toner is the only toner designed and manufactured under strict quality controls by Xerox for specific use with this printer.

Routine Maintenance Items




Routine maintenance items are printer parts that have a limited life and require periodic replacement. Replacements can be parts or kits. Routine maintenance items are typically customer replaceable.

Note: Each routine maintenance item includes installation instructions.

Routine maintenance items for this printer include the following:

- Drum Cartridge
- Hole-Punch Waste Container

Replacing the Drum Cartridge

-  **WARNING:** Never throw drum cartridges into an open flame.
-  **WARNING:** Never touch a labeled area on or near the heat roller in the fuser. You can get burned. If a sheet of paper is wrapped around the heat roller, do not try to remove it immediately. Turn off the printer immediately and wait 40 minutes for the fuser to cool. Try to remove the jam after the printer has cooled.
-  **CAUTION:** Do not expose the drum cartridge to direct sunlight or strong indoor fluorescent lighting. Do not touch or scratch the surface of the drum.

When a drum cartridge requires replacement, a message appears on the control panel.

Note: Each drum cartridge includes installation instructions.

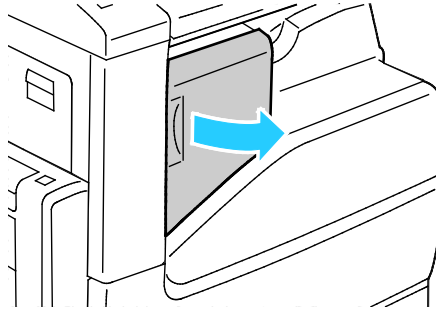
Printer Status Message	Cause and Solution
Reorder Drum Cartridge	The drum cartridge is nearing the end of its life. Order a new drum cartridge.
Replace Drum Cartridge	The drum cartridge has reached the end of its life. Replace the drum cartridge with a new one.

Replacing Staple Cartridges

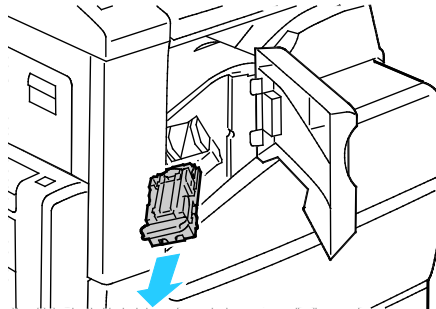
If the printer has the optional Integrated Office Finisher, Office Finisher, or Office Finisher with Booklet Maker installed, the control panel displays a message when a staple cartridge is empty and needs replacement.

Replacing Staples in the Integrated Office Finisher

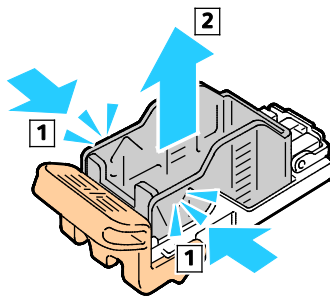
1. Open the finisher front door.



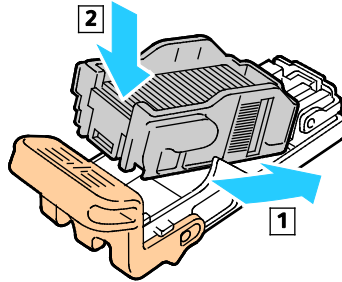
2. To remove the staple cartridge, grasp the orange handle, then pull it firmly toward you.



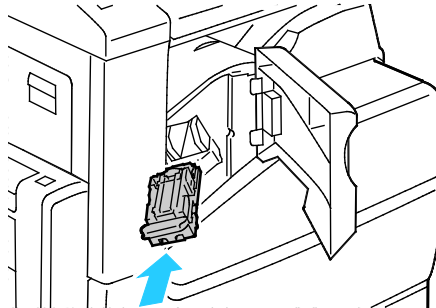
3. Check inside the finisher for any loose staples and remove them.
4. Pinch both sides of the staple pack and remove the staple pack from the cartridge.



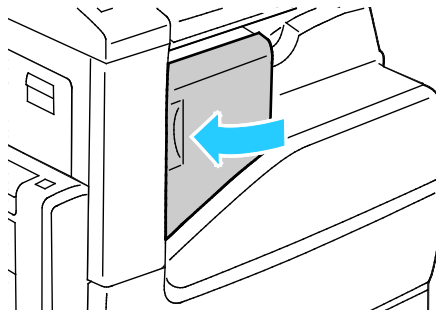
5. Insert the front side of the new staple pack into the staple cartridge, then push the rear side into the cartridge.



6. Grasp the new staple cartridge by the orange handle, then insert the cartridge into the stapler until it clicks.

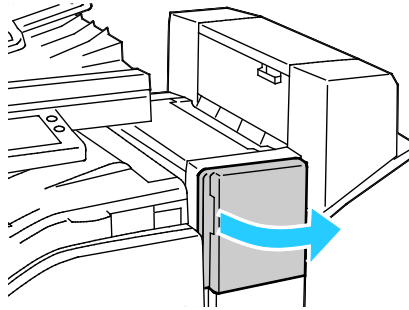


7. Close the finisher front door.

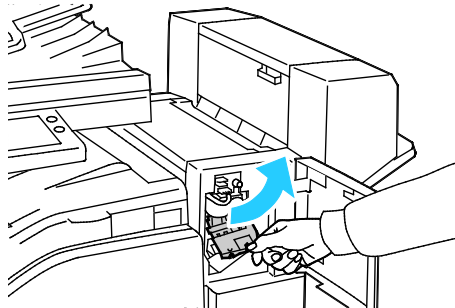


Replacing Staples in the Office Finisher

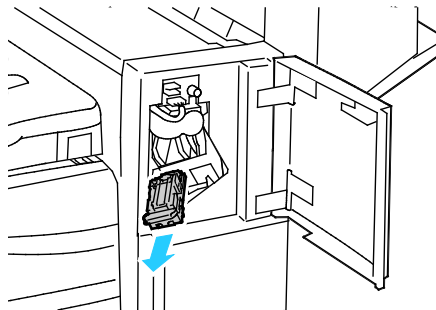
1. Open the finisher front door.



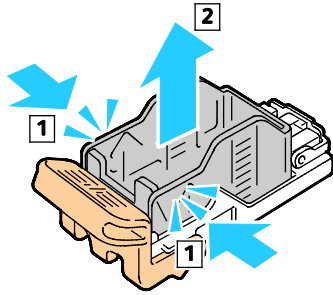
2. Reach into the finisher cabinet and pull the stapler toward you until it stops.
3. Push the stapler assembly to the right, as shown.



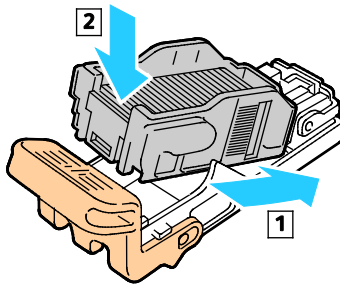
4. To remove the staple cartridge, grasp the orange handle, then pull it firmly toward you.



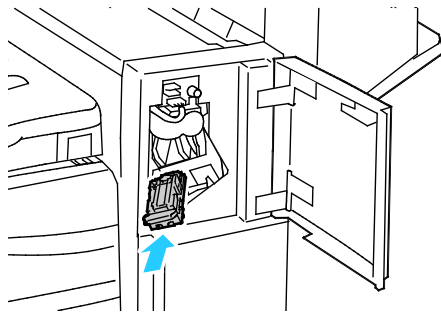
5. Check inside the finisher for any loose staples and remove them.
6. Pinch both sides of the staple pack and remove the staple pack from the cartridge.



7. Insert the front side of the new staple pack into the staple cartridge, then push the rear side into the cartridge.



8. Grasp the staple cartridge by the orange handle, then insert it into the stapler assembly. Push the staple cartridge in until it clicks.

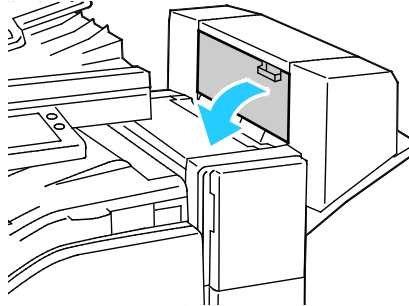


9. Close the finisher front door.

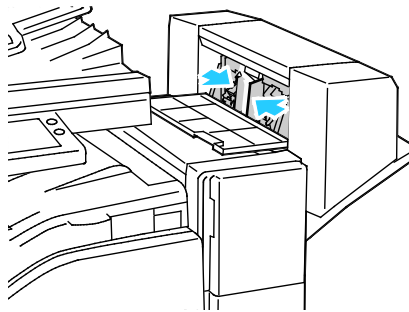
Replacing Staples in the Booklet Maker for the Office Finisher

 **WARNING:** Do not perform this procedure when the printer is copying or printing.

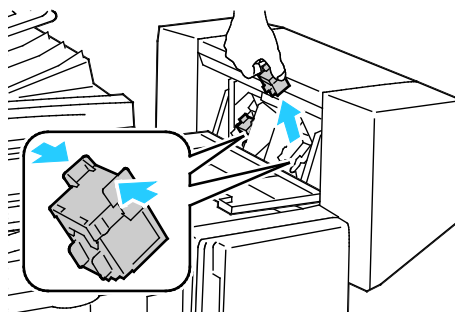
1. Open the finisher side cover.



2. If the staple cartridges are not visible, grasp the vertical panels on each side of the opening and slide the staple cartridges to the center.

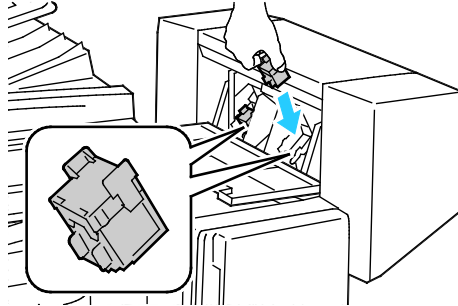


3. Hold the tabs on both sides of the staple cartridge, then pull the cartridge out of the finisher.



4. Remove the new stapler cartridge from its packaging. Hold the tabs on both sides of the new staple cartridge, then reinsert the staple cartridge into the original position in the finisher.

Note: The booklet maker uses two staple cartridges. Booklet stapling requires that both staple cartridges contain staples.



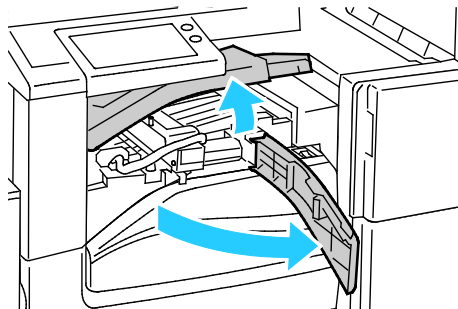
5. Repeat the procedure for the other staple cartridge.
6. Close the finisher side cover.

Emptying the Hole Punch Container

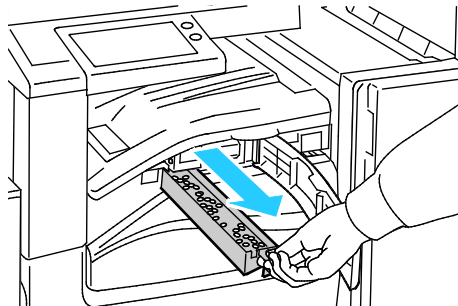
When the hole-punch waste container is full, a message appears on the touch panel.

 **WARNING:** Do not perform this procedure when the printer is copying or printing.

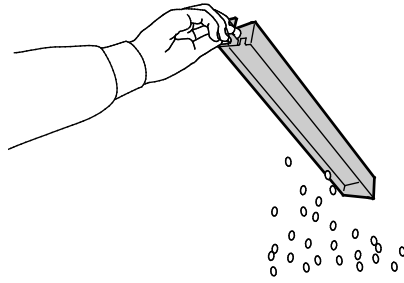
1. Lift the finisher transport top cover, then open the front transport cover.



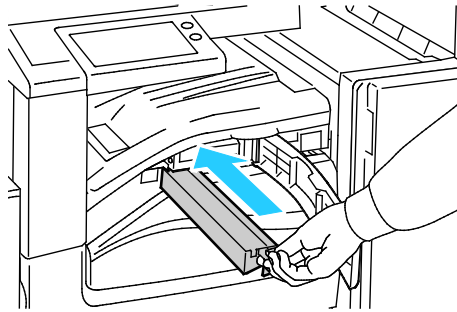
2. Pull out the hole-punch waste container.



3. Empty the container.



4. Insert the container, then slide it all the way into the finisher.



5. Close the finisher front transport cover, then close the top cover.

Ordering Supplies

When to Order Supplies

A warning appears on the control panel when supplies near their replacement time. Verify that you have replacements on hand. It is important to order these items when the messages first appear to avoid interruptions to your printing. An error message appears on the control panel when supplies must be replaced.

Order supplies from your local reseller or go to www.xerox.com/office/VLB70XXsupplies.



CAUTION: Use of non-Xerox supplies is not recommended. The Xerox Warranty, Service Agreement, and Total Satisfaction Guarantee do not cover damage, malfunction, or degradation of performance caused by use of non-Xerox supplies, or the use of Xerox supplies not specified for this printer. The Total Satisfaction Guarantee is available in the United States and Canada. Coverage could vary outside these areas. Please contact your Xerox representative for details.

Supply Status

You can check the status and percentage of life remaining for your printer supplies at the control panel or from the Embedded Web Server. When printer supplies near their replacement time, warning alerts appear on the control panel. You can customize the alerts that appear on the control panel and configure email alert notifications.

To check the supplies status at the control panel:

1. To view status information for the printer supplies, touch **Device > Supplies**.
2. To view details about a specific item, including its part number for reordering, touch the desired item.
3. To return to the Supplies screen, touch **X**.
4. To return to the Device screen, touch the back arrow.

To customize supplies alert settings:

1. To customize the alerts that appear for printer supplies, touch **Device > Supplies > Alerts Setup**.
2. To enable supplies alerts, touch the **Enable Alerts** toggle button.
3. To configure the printer to display an alert when an item reaches a specific usage percentage level, touch the item, then select the percentage.
4. To customize the alerts for each supply item, to enable or disable an alert, touch the toggle button.
5. To return to the Supplies screen, touch **X**.
6. To return to the Device screen, touch the back arrow.

To set up email alerts:

1. To set up alerts to send to an email address, touch **Device > Supplies > Email Alerts**.
2. To enter an email address, touch **Add Email**, then touch **Enter Email Address**.
3. Use the touch screen keyboard to enter an email address, or select an entry from the Address Book, then touch **OK**.
4. Add more email addresses if necessary.
5. To customize the alerts for each supply item, to enable or disable an alert, touch the toggle button.
6. To exit the menu, touch **OK**.
7. To return to the Device screen, touch the back arrow.

To check the supplies status and set up alerts using the Embedded Web Server, refer to the System Administrator Guide at www.xerox.com/office/VLB70XXdocs.

Supplies Usage Report

The Supplies Usage Report provides coverage information and part numbers for reordering supplies. The date a supply item was installed also appears on the report.

To print the Supplies Usage Report:

1. At the printer control panel, press the **Home** button.
2. Touch **Device > About > Information Pages**.
3. Touch **Supplies Usage Report**.
4. To return to the Home screen, press the **Home** button.

Toner Cartridges

This section includes:

- [General Precautions](#).....192
- [Replacing a Toner Cartridge](#).....192

General Precautions



WARNINGS:

- When replacing a toner cartridge, be careful not to spill the toner. If any toner spills, avoid contact with clothes, skin, eyes, and mouth. Do not inhale the toner dust.
- Keep toner cartridges out of the reach of children. If a child accidentally swallows toner, have the child spit out the toner, and rinse out their mouth with water. Consult a physician immediately.



WARNING: Use a damp cloth to wipe off spilled toner. Never use a vacuum cleaner to remove spills. Electric sparks inside the vacuum cleaner can cause a fire or explosion. If you spill a large volume of toner, contact your local Xerox representative.



WARNING: Never throw a toner cartridge into an open flame. Remaining toner in the cartridge can catch fire and cause burn injuries or an explosion.

Replacing a Toner Cartridge

A message appears on the control panel when a toner cartridge must be replaced.

Note: Each toner cartridge includes installation instructions.

Printer Status Message	Cause and Solution
Reorder Toner	The toner cartridge is low. Order a new toner cartridge.
Out of Toner	The toner cartridge is empty. Replace the toner cartridge with a new one.

Recycling Supplies

For more information on the Xerox® supplies recycling program, go to: www.xerox.com/gwa.

Adjustments and Maintenance Procedures

This section includes:

- [Adjusting Paper Registration.....](#) 193
- [Adjusting the Altitude.....](#) 195

Adjusting Paper Registration

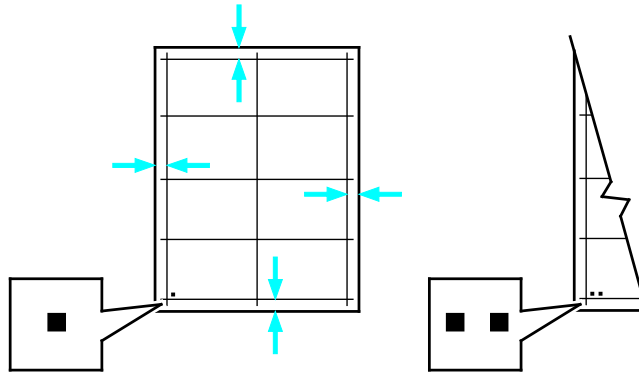
Use Adjust Paper Registration to adjust the placement of the printed image on the page. The adjustment allows you to place the top, bottom, left, and right margins exactly where you want. You can specify the image position on both the front and back sides of the paper, for each installed paper tray.

Verifying Paper Registration

1. At the printer control panel, press the **Home** button.
2. Log in as administrator. For details, refer to the System Administrator Guide at www.xerox.com/office/VLB70XXdocs.
3. Touch **Device > Support > Image Position**.
4. Select the source paper tray for the registration print.
 - a. Touch **Paper Supply**.
 - b. Touch the desired tray.
5. If your printer has automatic 2-sided printing, select the sides that you want to optimize.
 - To select a sample registration page for adjusting side 1, touch **Adjusted Side**, then touch **Side 1**.
 - To select a sample registration page for adjusting both sides, touch **Adjusted Side**, then touch **Side 2**.
6. Specify the consecutive number of sample pages to print.
 - a. Touch **Print Settings**.
 - b. To increase or decrease the number of sample pages, for Quantity, touch Plus (+) or Minus (-), then touch **OK**.

7. To print the sample pages, touch **Print Sample**.
8. When printing is completed, touch **Close**.
9. On the sample pages, for Side 1, use a ruler to measure the distance of the printed image from the top, bottom, left, and right edges.

Note: For identification, a single dot is printed on Side 1, and two dots are printed on Side 2.

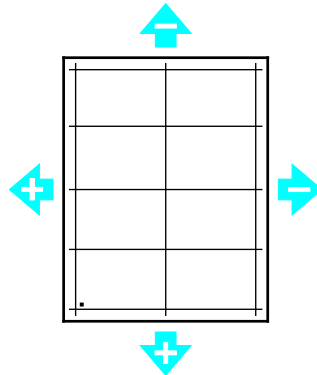


10. For Side 2, measure the distance of the printed image from the top, bottom, left, and right edges.
11. If the image is centered, no adjustment is required. If not centered, adjust the paper registration. For details, refer to Performing a Paper Registration Adjustment.

Performing a Paper Registration Adjustment

1. At the printer control panel, press the **Home** button.
2. Log in as administrator. For details, refer to the System Administrator Guide at www.xerox.com/office/VLB70XXdocs.
3. Touch **Device > Support > Image Position**.
4. To adjust registration, select the source paper tray.
 - a. Touch **Paper Supply**.
 - b. Touch the desired tray.
5. Using the chart printed in Verifying Paper Registration, select the side for registration.
 - a. For adjusting Side 1, touch **Adjusted Side**, then touch **Side 1**.
 - b. For adjusting Side 2, touch **Adjusted Side**, then touch **Side 2**.

6. To adjust the registration, touch **Lead/Side Registration**.
 - a. To adjust the side-to-side registration, for **Side Registration**, touch Plus (+) or Minus (-).
 - b. To adjust the top-to-bottom registration, for **Lead Registration**, touch Plus (+) or Minus (-).
For reference, position the chart so that Side-1 or Side-2 dots are at the bottom of the page.
 - For Lead Registration, a positive value shifts the image down the page.
 - For Side Registration, a positive value shifts the image to the left.



7. To save your settings, touch **OK**.
8. As needed, repeat steps 4 through 6 to enter additional values.
9. Print another sample page, then repeat the process until you complete the registration corrections.
10. To return to the Home screen, press the **Home** button.

Adjusting the Altitude

You can use Adjust Altitude to set the altitude to match the printer location. If the altitude setting is incorrect, it can cause print-quality problems.

To adjust the altitude:

1. At the printer control panel, press the **Home** button.
2. Touch **Device > Support > Altitude Adjustment**.
3. Touch the altitude of the location of the printer, then touch **OK**.
4. To return to the Home screen, press the **Home** button.

Managing the Printer

This section includes:

- [Viewing the Meter Reading](#) 196
- [Printing the Billing Summary Report](#)..... 196

Viewing the Meter Reading

The Billing/Usage menu displays the total number of impressions that the printer generated or printed during its lifetime. You cannot reset the counters. A page is counted as one side of a sheet of paper. For example, a sheet of paper that is printed on two sides counts as two impressions.

Note: If you provide regular billing information for your device, you can use the Remote Services Upload feature to simplify the process. You can enable Remote Services to send billing meter readings to Xerox automatically so that you do not have to collect the readings manually. Refer to the System Administrator Guide for further information.

To view the billing information for your printer:

1. At the printer control panel, press the **Home** button.
2. Touch **Device > Billing/Usage**.
3. To view more details, touch **Usage Counters** and select an option.
4. After viewing the usage readings, to return to the Home screen, press the **Home** button.

Printing the Billing Summary Report

The Billing Summary Report provides information about the device and a detailed listing of the billing meters and sheet counts.

To print the Billing Summary Report:

1. At the printer control panel, press the **Home** button.
2. Touch **Device > About > Information Pages**.
3. Touch **Billing Summary Report**.
4. To return to the Home screen, press the **Home** button.

Moving the Printer

Before you move the printer:

- Ensure that you always power off the printer and wait for it to shut down completely.
- Ensure that no jobs are in the print queue.
- Disconnect the power cord and other cables from the back of the printer.



WARNING: To prevent electric shock, never touch the power plug with wet hands. When removing the power cord, ensure that you pull the plug and not the cord. Pulling the cord can damage it, which can lead to fire or electric shock.

Note:

- When moving the printer, do not tilt it more than 10 degrees in any direction. Tilting the printer more than 10 degrees can cause toner spillage.
- When moving the printer over a long distance, remove the drum cartridge and toner cartridges to prevent toner from spilling. Pack the printer inside a box.



CAUTION: Do not expose the drum cartridge to direct sunlight or strong indoor fluorescent lighting. Do not touch or scratch the surface of the drum.



CAUTION: Failure to repackage the printer properly for shipment can result in damage not covered by the Xerox® Warranty, Service Agreement, or Total Satisfaction Guarantee. The Xerox® Warranty, Service Agreement, or Total Satisfaction Guarantee do not cover damage to the printer caused by improper moving.

After moving the printer:

1. Reinstall any parts that you removed.
2. Reconnect the printer to the cables and power cord.
3. Plug in and power on the printer.

Troubleshooting

8

This chapter includes:

- [General Troubleshooting](#)200
- [Paper Jams](#)205
- [Print-Quality Problems](#)228
- [Copy and Scan Problems](#)233
- [Fax Problems](#)234
- [Getting Help](#)236

General Troubleshooting

This section includes:

- [Printer Does Not Power On](#) 200
- [Printer Resets or Powers Off Frequently](#)..... 201
- [Printer Does Not Print](#) 201
- [Printing Takes Too Long](#)..... 202
- [Document Prints From Wrong Tray](#) 203
- [Automatic 2-Sided Printing Problems](#) 203
- [Printer is Making Unusual Noises](#) 203
- [Paper Tray Does Not Close](#) 203
- [Condensation has Formed Inside the Printer](#) 203

This section contains procedures to help you locate and resolve problems. Resolve some problems by simply restarting the printer.

Printer Does Not Power On

Probable Causes	Solutions
The power switch is not switched on.	<ul style="list-style-type: none"> • Open the front door, then and check that the power switch is in the On position. • At the printer control panel, press the Power/Wake button. For details, refer to Powering On and Off the Printer on page 28.
The power cord is not plugged into the outlet correctly.	Power off the printer, then plug the power cord into the outlet securely. Use the bracket provided with the printer to secure the power cord in place.
The power cord is not secured in place correctly.	<ul style="list-style-type: none"> • Use the bracket provided with the printer to secure the power cord in place.
Something is wrong with the outlet connected to the printer.	<ul style="list-style-type: none"> • Plug another electrical appliance into the outlet and check if it operates properly. • Try a different outlet.
The printer is connected to an outlet with a voltage or frequency that does not match the printer specifications.	Use a power source with the specifications listed in the Electrical Specifications on page 250.



CAUTION: Plug the three-wire cord with grounding prong directly into a grounded AC outlet.

Printer Resets or Powers Off Frequently

Probable Causes	Solutions
The power cord is not plugged into the outlet correctly.	Power off the printer, confirm that the power cord is plugged in correctly to the printer and the outlet, then power on the printer.
The power cord is not secured in place correctly.	Use the bracket provided with the printer to secure the power cord in place.
A system error occurred.	Power off the printer, then power on again. Print the Error History Report. For details, refer to Printing the Error History Report on page 237. If the error persists, contact your Xerox representative.
The printer is connected to an uninterruptible power supply.	Power off the printer, then connect the power cord to a suitable outlet.
The printer is connected to a power strip shared with other high-power devices.	Plug the printer directly into the outlet or into a power strip that is not shared with other devices.

Printer Does Not Print

Probable Causes	Solutions
The printer is in Power Saver mode.	On the control panel, press the Power/Wake button.
The printer has an error.	If the Status LED is blinking amber, follow the instructions on the control panel to clear the error. If the error persists, contact your Xerox representative.
The printer is out of paper.	Load paper into the tray.
A toner cartridge is empty.	Replace the empty toner cartridge.
The drum cartridge has reached end of life.	Replace the drum cartridge.
No control panel indicators are lit.	Power off the printer, confirm that the power cord is plugged in correctly to the printer and the outlet, then power on the printer. If the error persists, contact your Xerox representative.
The printer is busy.	<ul style="list-style-type: none"> • If the Status LED is flashing blue, a previous print job could be the problem. <ol style="list-style-type: none"> a. At your computer, use the printer properties to delete all print jobs in the print queue. b. At the control panel, touch Jobs, then delete all pending print jobs. • Load the paper in the tray. • If the Status LED does not flash once after you send a print job, check the connection between the printer and the computer. Power off the printer, then turn it on again.

Probable Causes	Solutions
The printer cable is disconnected.	If the Status LED does not flash once after you send a print job, check the connection between the printer and the computer.
There is a network-connectivity issue.	If the printer is connected to a network: <ol style="list-style-type: none"> Verify that the Ethernet cable is connected to the printer. On the printer Ethernet connector, verify that the green LED is On. If not, reseal both ends of the Ethernet cable. Examine the TCP/IP address in the Communication section of the Configuration Report. For details, refer to Printing the Configuration Report on page 34. If the TCP/IP address is 0.0.0.0, the printer needs more time to acquire an IP address from the DHCP server. Wait 2 minutes, then print the Configuration Report again. If the TCP/IP address is unchanged, or begins with 169, contact your network administrator.
There is a wireless network setup or connectivity issue.	Verify that the Wireless Network Adapter is installed and properly configured. For details, refer to Connecting to a Wireless Network on page 38.

Printing Takes Too Long

Probable Causes	Solutions
The printer is set to a slower printing mode. For example, the printer is set to print on Heavyweight paper or Envelopes.	It takes more time to print on certain types of special paper. Ensure that the paper type is set properly in the print driver and at the printer control panel. For details, refer to Print Speed on page 252.
The printer is in Power Saver mode.	It takes time for printing to start when the printer is coming out of Power Saver mode.
The way the printer was installed on the network could be an issue.	Determine if a print spooler or a computer sharing the printer is buffering all print jobs and then spooling them to the printer. Spooling can slow print speeds. To test the speed of the printer, print some information pages such as the Demonstration Print. For details, refer to Information Pages on page 33. If the page prints at the rated speed of the printer, there could be a network or printer installation issue. For more help, contact the system administrator.
The job is complex.	Wait. No action needed.
The print-quality mode in the driver is set to Enhanced.	Change the print-quality mode in the print driver to Standard.

Document Prints From Wrong Tray

Probable Causes	Solutions
Application and print driver have conflicting tray selections.	<ol style="list-style-type: none"> 1. Check the tray selected in the print driver. 2. Go to the page setup or printer settings of the application from which you are printing. 3. Set the paper source to match the tray selected in the print driver or set the paper source to Automatically Select. <p>Note: To have the print driver select the tray, set the tray used for the paper source to Auto Selection Enabled.</p>

Automatic 2-Sided Printing Problems

Probable Causes	Solutions
Unsupported or incorrect paper.	Ensure that you are using the correct paper. Do not use transparencies, envelopes, labels, or reloaded paper for automatic 2-sided printing. For details, see Supported Paper Sizes and Weights for Automatic 2-Sided Printing on page 147.
Incorrect setting.	On the print driver Printing Options tab, select 2-sided Printing .

Printer is Making Unusual Noises

Probable Causes	Solutions
There is an obstruction or debris inside the printer.	Power off the printer and remove the obstruction or debris. If you cannot remove it, contact your Xerox representative.

Paper Tray Does Not Close

Probable Causes	Solutions
The paper tray does not close fully.	Some debris or an object is blocking the tray. Power off the printer, then remove the obstruction or debris. If you cannot remove it, contact your Xerox representative.

Condensation has Formed Inside the Printer

Moisture can condense inside a printer where the humidity is above 85 % or when a cold printer is located in a warm room. Condensation can form in a printer after it has been sitting in a cold room that is heated quickly.

Probable Causes	Solutions
The printer has been sitting in a cold room.	Allow the printer to operate for several hours at room temperature.
The relative humidity of the room is too high.	<ul style="list-style-type: none"> • Reduce the humidity in the room. • Move the printer to a location where the temperature and relative humidity are within the operating specifications.

Paper Jams

This section includes:

- [Locating Paper Jams](#) 205
- [Minimizing Paper Jams](#)..... 206
- [Clearing Paper Jams](#)..... 208
- [Troubleshooting Paper Jams](#)..... 217
- [Clearing Finisher Jams](#)..... 219

Locating Paper Jams

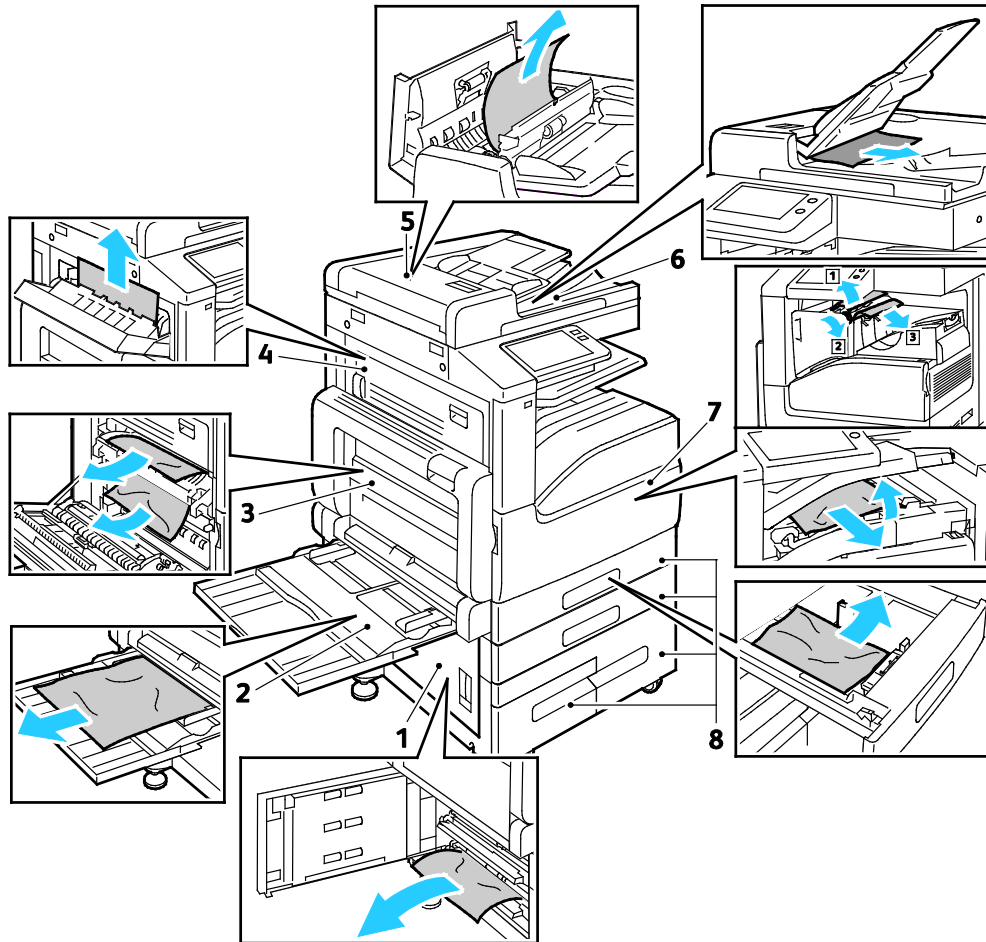


WARNING: Never touch a caution-labeled area in the fuser. You can get burned. If a sheet of paper is wrapped around the inside of the fuser, do not try to remove it immediately. Power off the printer immediately and wait 40 minutes for the fuser to cool. Try to remove the jam after the printer has cooled. If the error persists, contact your Xerox representative.



CAUTION: Do not attempt to clear any paper jams using tools or instruments. This can permanently damage the printer.

The following illustration shows where paper jams can occur along the paper path:



1. Paper Tray Feed Area - Door B
2. Bypass Tray
3. Fuser Area - Door A
4. Paper Output Area - Door C
5. Duplex Automatic Document Feeder
6. Document Feeder Output Tray
7. Finisher Areas
8. Paper Trays 1-4

Minimizing Paper Jams

The printer is designed to function with minimal paper jams using Xerox supported paper. Other paper types can cause jams. If supported paper is jamming frequently in one area, clean that area of the paper path.

The following can cause paper jams:

- Selecting the incorrect paper type in the print driver.
- Using damaged paper.
- Using unsupported paper.
- Loading paper incorrectly.
- Overfilling the tray.
- Adjusting the paper guides improperly.

Most jams can be prevented by following a simple set of rules:

- Use only supported paper.
- Follow proper paper handling and loading techniques.
- Always use clean, undamaged paper.
- Avoid paper that is curled, torn, moist, creased, or folded.
- To separate the sheets before loading into the tray, fan the paper.
- Observe the paper tray fill line; never overfill the tray.
- Adjust the paper guides in all trays after inserting the paper. A guide that is not properly adjusted can cause poor print quality, misfeeds, skewed prints, and printer damage.
- After loading the tray, at the control panel, select the correct paper type and size.
- When printing, select the correct type and size in the print driver.
- Store paper in a dry location.

Avoid the following:

- Polyester coated paper that is designed especially for inkjet printers.
- Paper that is folded, wrinkled, or excessively curled.
- Loading more than one type, size, or weight of paper in a tray at the same time.
- Overfilling the tray.
- Allowing the output tray to overfill.

For a detailed list of supported paper, refer to [Supported Paper](#) on page 143.

Clearing Paper Jams

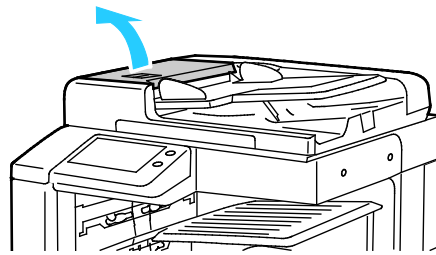
This section includes:

- [Clearing Document Feeder Jams.....208](#)
- [Clearing Paper Jams from Trays 1 - 4210](#)
- [Clearing Paper Jams from the Bypass Tray211](#)
- [Clearing Paper Jams at Doors A, B and C212](#)

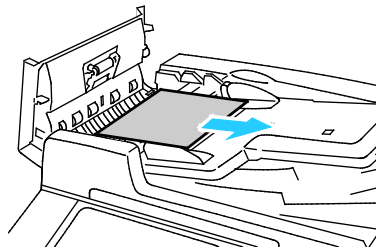
Clearing Document Feeder Jams

To resolve the error that appears on the control panel, remove all paper from the Duplex Automatic Document Feeder areas.

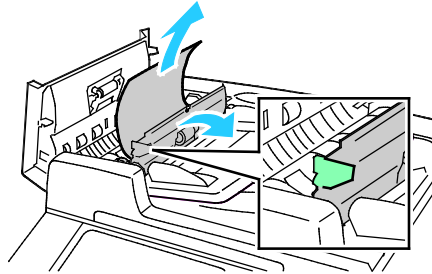
1. Lift the lever, then open the top cover of the document feeder.



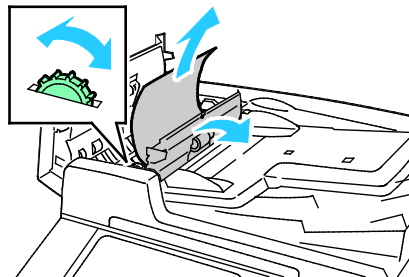
2. If the original document is clear of the automatic document feeder entry, pull it straight out in the direction shown.



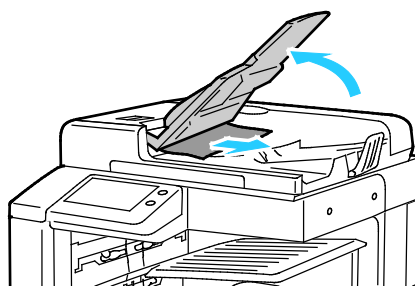
3. If the control panel message instructs you to open the inner cover, lift the green-tabbed lever to open the inner cover.



4. To remove the original document from the feeder, rotate the green wheel in the direction shown, then carefully pull out the document.




5. Close the inner cover, then to close the top cover, press it down until it clicks into place.
6. If the original document is not visible when the top cover is opened, lift the document cover, then remove the document.
7. If the original document is not visible when the document cover is opened, lift the feeder tray, then remove the document.



8. Lower the feeder tray.
9. If the original document is not wrinkled or torn, then follow the instructions on the touch screen to load the document into the feeder again.

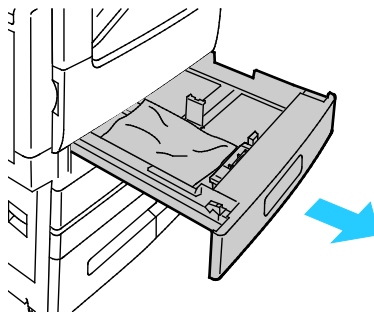
Note: After clearing a paper jam from the Duplex Automatic Document Feeder, reload the entire original document, including the pages already scanned. The printer automatically skips the scanned pages and scans the remaining pages.

 **CAUTION:** Torn, wrinkled, or folded original documents can cause jams and damage the printer. To copy torn, wrinkled, or folded original documents, use the document glass.

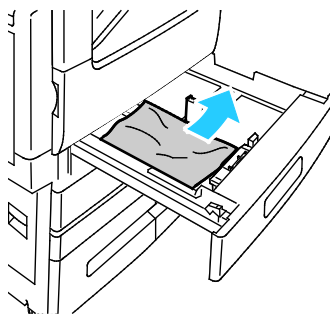
Clearing Paper Jams from Trays 1 - 4

To resolve the error that appears on the control panel, clear all paper from the paper path.

1. Before removing the tray from the printer, review the jam message on the control panel. If another jam error appears, clear that jam inside the printer first.
2. Pull out the tray until it stops.



3. Remove the paper from the tray.



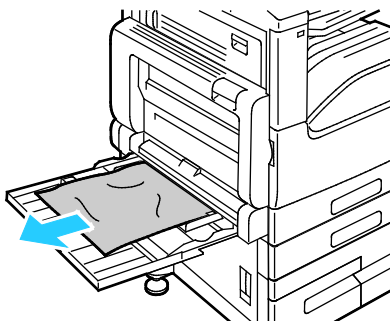
4. If the paper is torn, remove the tray completely and check inside the printer for torn pieces of paper.

5. Reload the tray with undamaged paper, then push the tray in until it stops.
6. When paper trays are set to Fully Adjustable, you are prompted to verify or change the paper settings.
 - To confirm the same paper size, type, or color, touch **OK**.
 - To select a new paper size, type or color, touch the current setting, then select a new setting. When finished, touch **OK**.
7. To return to the Home screen, press the **Home** button.

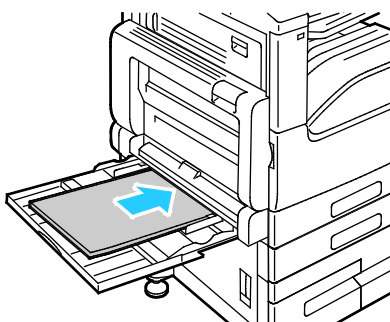
Clearing Paper Jams from the Bypass Tray

To resolve the error that appears on the control panel, clear all paper from the paper path.

1. Remove the jammed paper from the tray. Ensure that the paper feed entrance where the tray connects to the printer is clear.



2. If the paper is torn, check inside the printer for torn pieces of paper.
3. Fan the paper that you removed and ensure that all four corners align neatly.
4. Insert the paper into the Bypass Tray with the print side face down. Ensure that the leading edge of the paper lightly touches the paper-feed entrance.



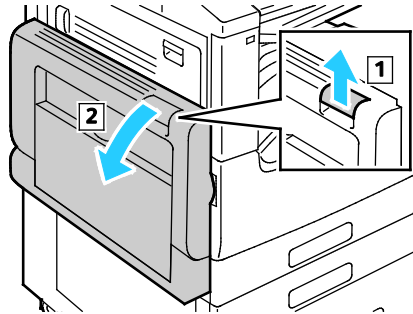
5. When paper trays are set to Fully Adjustable, you are prompted to verify or change the paper settings.
 - To confirm the same paper size, type, or color, touch **OK**.
 - To select a new paper size, type or color, touch the current setting, then select a new setting. When finished, touch **OK**.
6. To return to the Home screen, press the **Home** button.

Clearing Paper Jams at Doors A, B and C

To resolve the error that appears on the control panel, clear all paper from the paper path.

Clearing Jams at Door A

1. Lift the release lever, then open Door A.

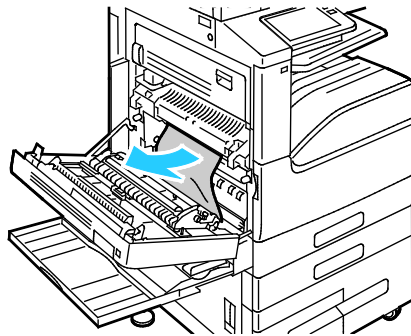


WARNING: The area around the Fuser can be hot. Use caution to avoid injury.



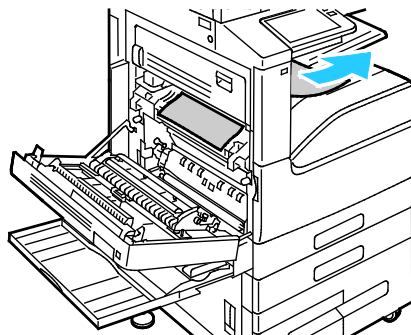
CAUTION: Do not touch the transfer roller. Touching the roller can reduce image quality.

2. Remove the jammed paper.

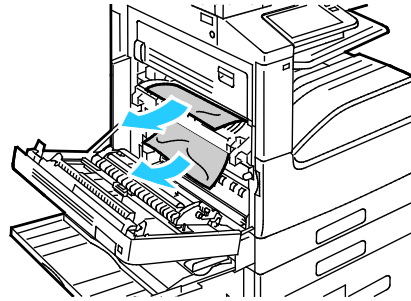


3. If paper is jammed at the exit to the output tray, to remove it, carefully pull it straight out in the direction shown.

Note: Toner can adhere to the transfer roller. This does not affect print quality.

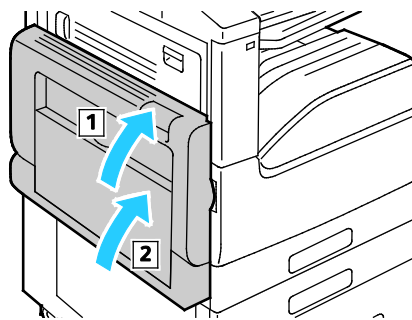


4. If paper is jammed in the Fuser, remove the paper from areas A1 and A2 as shown.



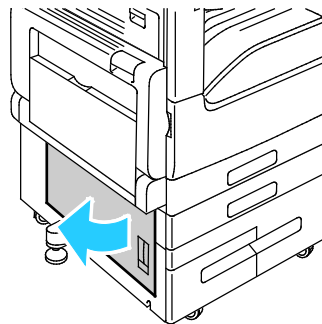
Note: If the paper is torn, remove all torn pieces from the printer.

5. To close Door A, push the door up firmly until it clicks into place, then close the Bypass Tray.



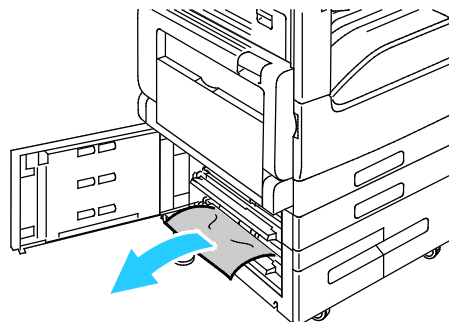
Clearing Jams at Door B

1. Pull the release lever, then open Door B.



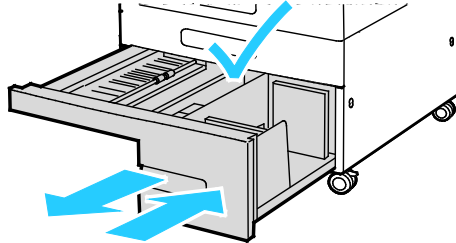
2. Remove the jammed paper from the paper tray feed area.

Note: If the paper is torn, remove all torn pieces from the printer.

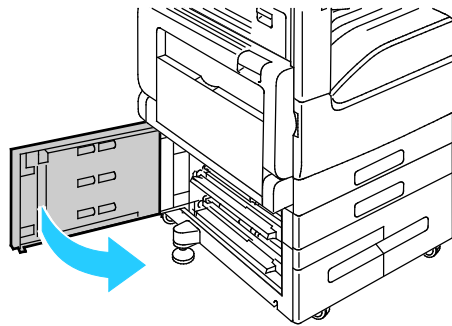


Troubleshooting

3. For paper jammed in the upper position, look inside the printer, locate the paper, then remove it.
Note: If the paper is inaccessible, refer to [Clearing Jams at Door A](#) on page 212.
4. For paper jammed in the tray feed roller, open the tray, then remove the paper.

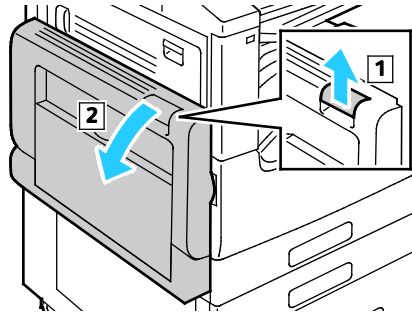


5. Close Door B.




Clearing Jams at Door C

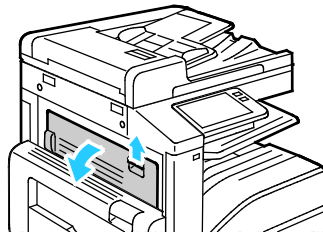
1. Lift the release lever, then open Door A.



 **WARNING:** The area around the Fuser can be hot. Use caution to avoid injury.

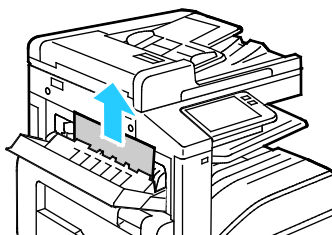
 **CAUTION:** Do not touch the transfer roller. Touching the roller can reduce image quality.

2. On Door C, lift the release lever, then open Door C.

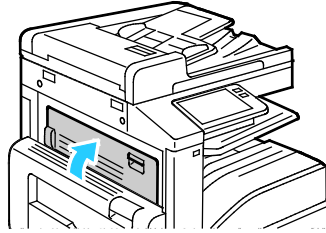


3. Remove any jammed paper in the paper output area.

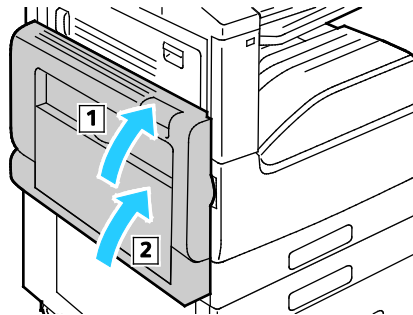
Note: If the paper is torn, remove all torn pieces from the printer.



4. To close Door C, push the door up firmly until it clicks into place.



5. To close Door A, push the door up firmly until it clicks into place, then close the Bypass Tray.



Troubleshooting Paper Jams

This section includes:

- [Multiple Sheets Pulled Together](#)217
- [Paper Misfeeds](#)217
- [Label and Envelope Misfeeds](#).....218
- [Paper Jam Message Stays On](#).....218
- [Jams During Automatic 2-Sided Printing](#)219

Multiple Sheets Pulled Together

Probable Causes	Solutions
The paper tray is too full.	Remove some of the paper. Do not load paper past fill line.
The edges of the paper are not even.	Remove the paper, align the edges, and then reload it.
The paper is moist from humidity.	Remove the paper from the tray, and replace it with new dry paper.
Too much static electricity is present.	Try a new ream of paper.
Using unsupported paper.	Use only Xerox®-approved paper. For details, refer to Supported Paper on page 143.
Humidity is too high for coated paper.	<ul style="list-style-type: none"> • Feed paper one sheet at a time. • Try loading paper in the Bypass tray.
The feed rollers are dirty.	With a clean, lint-free cloth moistened with water, wipe the feed rollers until they are clean. For details, refer to Cleaning the Printer on page 177.

Paper Misfeeds

Probable Causes	Solutions
The paper is not correctly positioned in the tray.	<ul style="list-style-type: none"> Remove the misfed paper and reposition it properly in the tray. Adjust the paper guides in the tray to match the size of the paper.
The paper tray is too full.	Remove some of the paper. Do not load paper past the fill line.
The paper guides are not correctly adjusted to the paper size.	Adjust the paper guides in the tray to match the size of the paper.
The tray contains warped or wrinkled paper.	Remove the paper, smooth it out, and reload it. If it still misfeeds, do not use that paper.
The paper is moist from humidity.	Remove the moist paper and replace it with new, dry paper.
Using paper of the wrong size, thickness, or type.	Use only Xerox approved paper. For details, refer to Supported Paper on page 143.
The feed rollers are dirty.	With a clean, lint-free cloth moistened with water, wipe the feed rollers until they are clean. For details, refer to Cleaning the Printer on page 177.

Label and Envelope Misfeeds

Probable Causes	Solutions
The label sheet is facing the wrong way in the tray.	<ul style="list-style-type: none"> Load label sheets according to the instructions from the manufacturer. Load labels in the tray, face up. For details, refer to Labels on page 167.
Labels are missing, curled, or pulled away from the backing sheet.	Do not use any sheet where labels are missing, curled, or pulled away from the backing sheet.
Envelopes are loaded incorrectly.	You can print envelopes from the Bypass tray or Tray 1. For details, refer to Envelopes on page 163.
Envelopes are wrinkling.	<ul style="list-style-type: none"> The heat and pressure of the laser printing process can cause wrinkling. Use supported envelopes. For details, refer to Guidelines for Printing Envelopes on page 163. <p>Note: When you load envelopes long-edge feed, ensure that you specify landscape orientation in the print driver.</p>

Paper Jam Message Stays On

Probable Causes	Solutions
Paper remains jammed in the printer or finisher.	Recheck the paper path and ensure that you have removed all of the jammed paper from the printer and finisher areas.
One of the printer doors is open.	Check the doors on the printer. Close any door that is open.

Note: Check for, and remove, torn pieces of paper in the paper path.

Jams During Automatic 2-Sided Printing

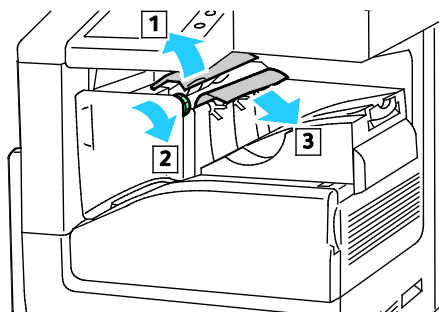
Probable Causes	Solutions
Using paper of the wrong size, thickness, or type.	Use paper of the correct size, thickness, or type. For details, refer to Supported Paper Sizes for Automatic 2-Sided Printing on page 147.
Paper is loaded in the wrong tray.	Ensure that paper is loaded into the correct tray. For details, refer to Supported Paper on page 143.
Tray is loaded with mixed paper.	Load the tray with only one type and size of paper.

Clearing Finisher Jams

Clearing Jams in the Integrated Office Finisher

Clearing Jams in the Integrated Office Finisher

1. Locate the Integrated Office Finisher that is mounted beneath the scanner and control panel, then open the top cover as shown.
2. Rotate the green knob in the direction shown.
3. To remove the paper, pull it in the direction shown.

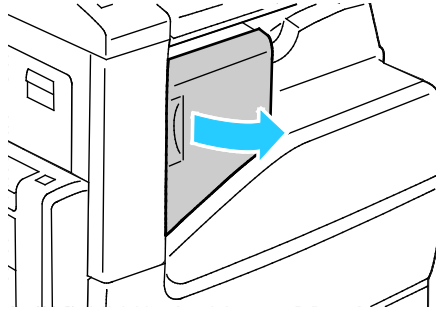


Note: If the paper is torn, remove all torn pieces from the printer.

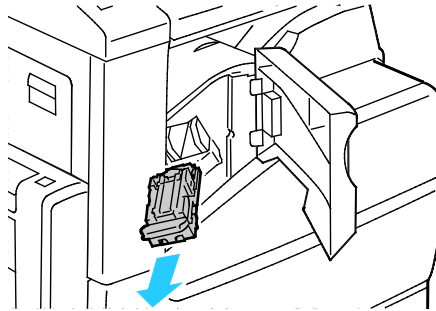
4. Close the top cover of the Integrated Office Finisher.

Clearing Staple Jams in the Integrated Office Finisher

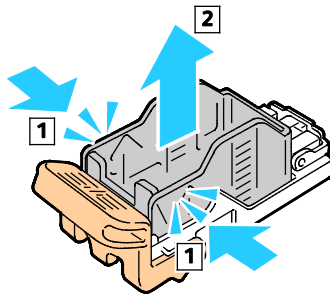
1. Open the finisher front door.



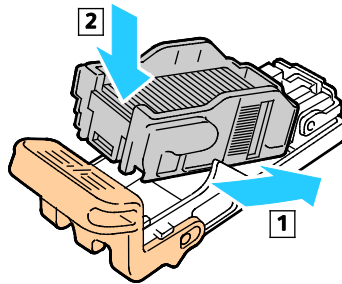
2. To remove the staple cartridge, grasp the orange handle, then pull it firmly toward you.



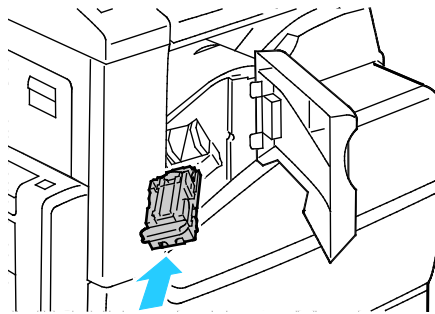
3. Check inside the finisher for any loose staples and remove them.
4. Pinch both sides of the staple pack and remove the staple pack from the cartridge.



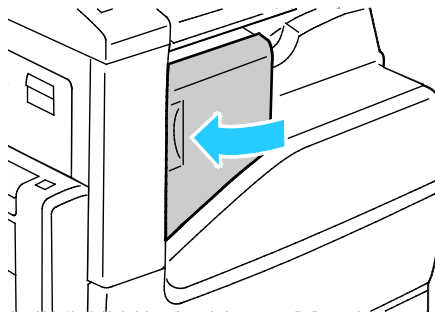
5. Remove any loose staple sheets.
6. Insert the front side of the new staple pack into the staple cartridge, then push the rear side into the cartridge.



7. Grasp the staple cartridge by the orange handle. then insert the cartridge into the stapler until it clicks.



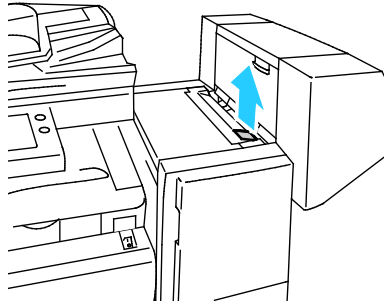
8. Close the finisher front door.



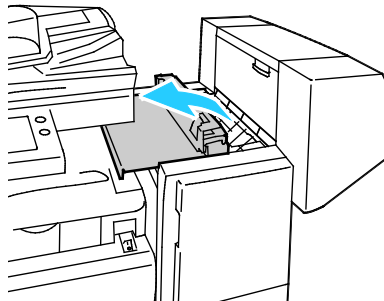
Clearing Jams in the Office Finisher

Clearing Jams Under the Office Finisher Top Cover

1. Pull up the lever on the top cover.

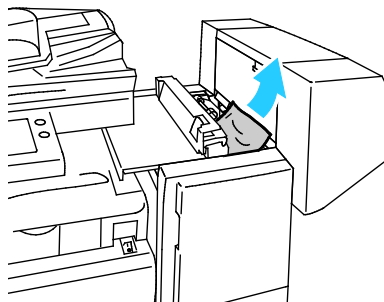


2. To open the top cover, rotate it to the left.



3. Remove the jammed paper.

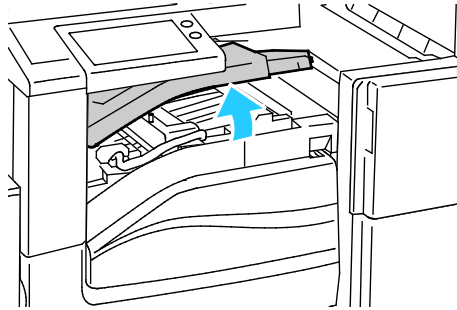
Note: If the paper is torn, remove all torn pieces from the finisher.



4. Close the top cover of the finisher.

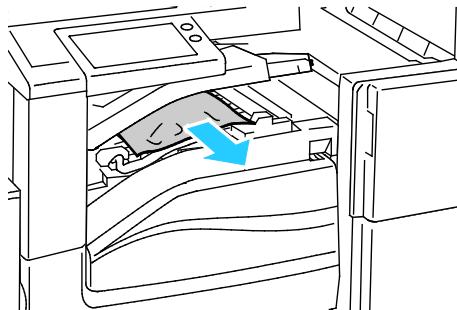
Clearing Jams in the Office Finisher Transport

1. To open the transport cover, on the center tray, lift the handle straight up.



2. Remove the jammed paper.

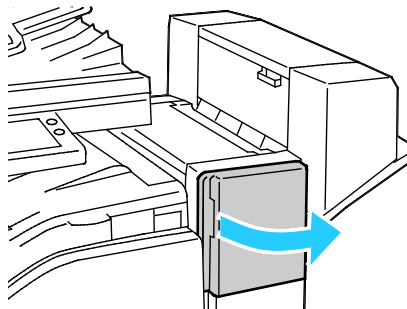
Note: If the paper is torn, remove all torn pieces from the finisher.



3. Close the transport cover.

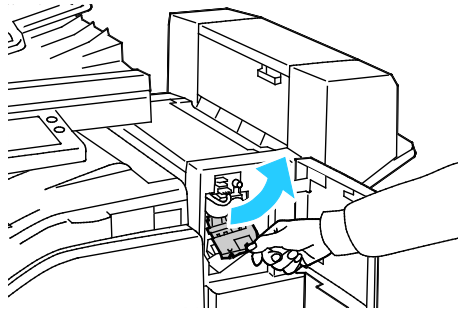
Clearing Staple Jams in the Office Finisher

1. Open the finisher front door.

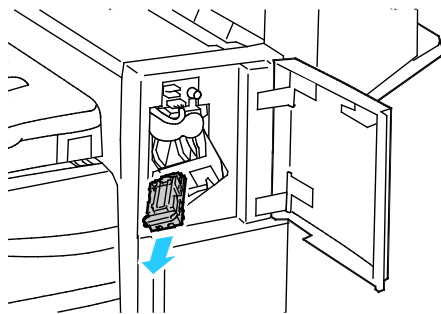


2. Reach into the finisher cabinet and pull the stapler toward you until it stops.

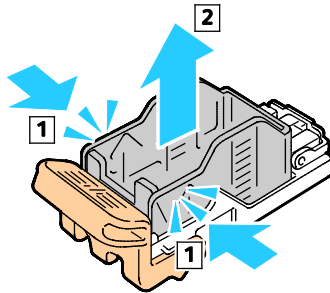
3. Push the stapler assembly to the right, as shown.



4. To remove the staple cartridge, grasp the orange handle, then pull it firmly toward you.

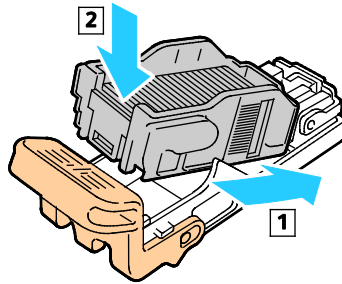


5. Check inside the finisher for any loose staples and remove them.
6. Pinch both sides of the staple pack and remove the staple pack from the cartridge.

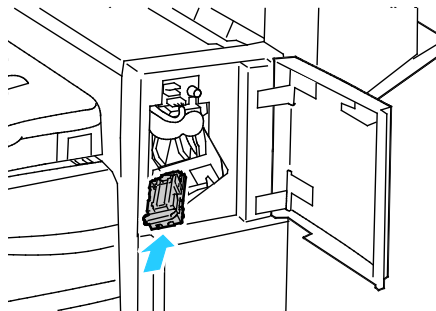


7. Remove any loose staple strips from the staple pack.

8. Insert the front side of the new staple pack into the staple cartridge, then push the rear side into the cartridge.



9. Grasp the staple cartridge by the orange handle, then insert the cartridge into the stapler assembly. Push the staple cartridge in until it clicks.



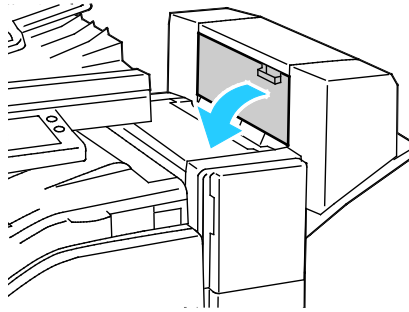
10. Close the finisher front door.

Clearing Booklet Staple Jams in the Office Finisher

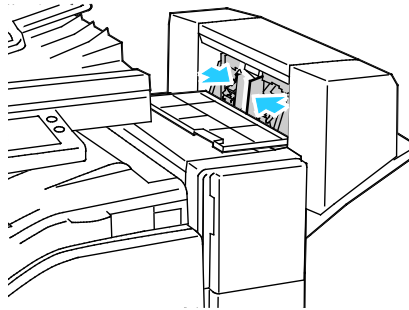
The booklet maker uses two staple cartridges. Booklet stapling requires that both staple cartridges contain staples. A message appears on the control panel touch screen when the staple cartridge is empty.

 **WARNING:** Do not perform this procedure when the printer is copying or printing.

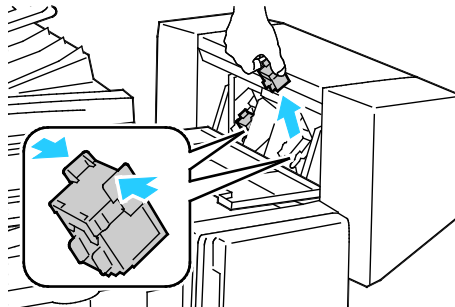
1. Open the finisher side cover.



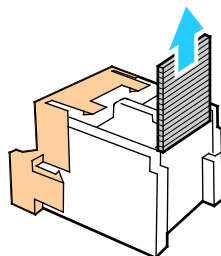
2. If the staple cartridges are not visible, grasp the vertical panels on each side of the opening and slide the staple cartridges to the center.



3. Hold the tabs on both sides of the staple cartridge, then pull the cartridge out of the finisher.

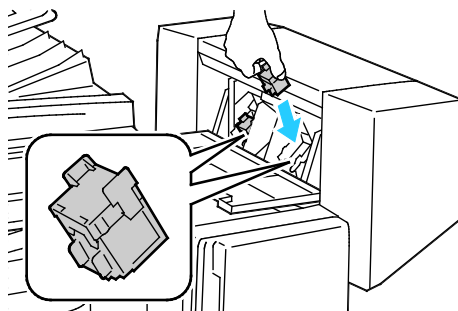


- To remove any jammed staples, pull them in the direction shown.



- Hold the tabs on both sides of the staple cartridge, then reinsert the staple cartridge into the original position in the finisher.

Note: The booklet maker uses two staple cartridges. Booklet stapling requires that both staple cartridges contain staples.



- Repeat the procedure for the other staple cartridge.
- Close the finisher side cover.

Clearing Hole Punch Jams in Office Finisher

If the printer stops printing and reports a hole-punch jam, empty the hole-punch waste container. For details, refer to [Emptying the Hole Punch Waste Container](#) on page 188.


After you empty the hole-punch waste container, locate and remove any paper jams.

Print-Quality Problems

This section includes:

- [Controlling Print-Quality](#) 228
- [Paper and Media](#)..... 228
- [Solving Print-Quality Problems](#) 229

Your printer is designed to produce consistently high-quality prints. If you observe print-quality problems, use the information in this section to troubleshoot the problem. For more information, go to www.xerox.com/office/VLB70XXsupport.

 **CAUTION:** The Xerox Warranty, Service Agreement, or Xerox Total Satisfaction Guarantee does not cover damage caused by using unsupported paper or specialty media. The Xerox Total Satisfaction Guarantee is available in the United States and Canada. Coverage could vary outside these areas. Contact your local Xerox representative for details.

Notes: To ensure consistent print quality, the toner cartridges, print cartridges, and drum cartridges for many devices are designed to cease functioning at a predetermined point.

Controlling Print-Quality

Various factors can affect the quality of the output of your printer. For consistent and optimum print quality, use paper designed for your printer and set the paper type correctly. Follow the guidelines in this section to maintain optimum print quality from your printer.

Temperature and humidity affect the quality of the printed output. The guaranteed range for optimal print quality is 15–28°C (59–82°F) and 20–70% relative humidity.

Paper and Media

Your printer is designed to use various paper and other media types. Follow the guidelines in this section for the best print quality and to avoid jams:

- Use only Xerox approved paper. For details, refer to [Supported Paper](#) on page 143.
- Use only dry, undamaged paper.



CAUTIONS: Some paper and other media types can cause poor output quality, increased paper jams, or damage your printer. Do not use the following:

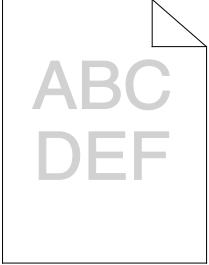
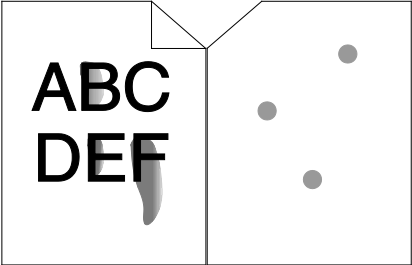
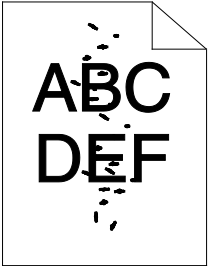
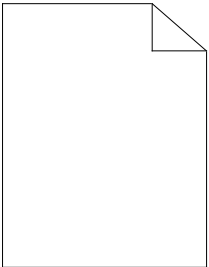
- Rough or porous paper
 - Inkjet paper
 - Non-laser glossy or coated paper
 - Paper that has been photocopied
 - Paper that has been folded or wrinkled
 - Paper with cutouts or perforations
 - Stapled paper
 - Envelopes with windows, metal clasps, side seams, or adhesives with release strips
 - Padded envelopes
 - Plastic media
 - Transparencies
- Ensure the paper type selected in your print driver matches the paper type on which you are printing.
 - If you have the same size paper loaded in more than one tray, ensure that the proper tray is selected in the print driver.
 - Store your paper and other media properly for optimum print quality. For details, refer to [Paper Storage Guidelines](#) on page 144.

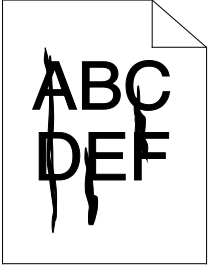
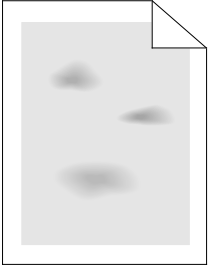
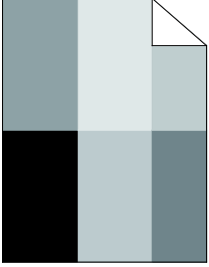
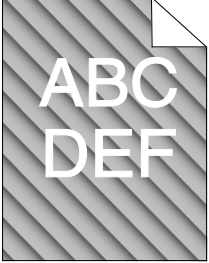
Solving Print-Quality Problems

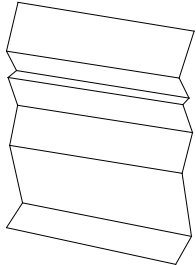
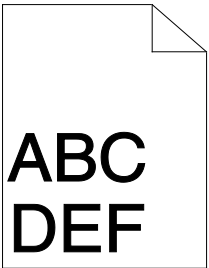
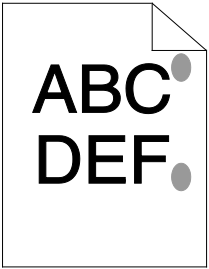
When the print quality is poor, to correct the problem, select the closest symptom from the following table and refer to the corresponding solution. You can also print Support pages to help detect image quality problems. For details, refer to [Device](#) on page 65.

If the print quality does not improve after performing the appropriate action, contact your Xerox representative.

Note: To maintain print quality, a warning message appears when the toner level is low or when the drum cartridge is nearing the end of life. When the toner cartridge is empty, or when the drum cartridge has reached end of life, a second message appears. The second message prompts you to replace the expired cartridge. The printer stops printing until you install a new toner cartridge or drum cartridge.

Symptom	Solutions
<p>The output is too light.</p> 	<ul style="list-style-type: none"> • To check the toner level, check the control panel, use the print driver, or the Embedded Web Server. If the toner cartridge is near empty, replace it. • Verify that the toner cartridge is approved for use in this printer, and replace it as needed. For best results, use a genuine Xerox toner cartridge. • Replace the paper with a recommended size and type, and confirm that your printer and print driver settings are correct. • Verify that the paper is dry and that supported paper is used. If not, change the paper. • Change the Paper Type settings in the print driver. In the print driver, on the Printing Options tab, select Paper, then change the Other Type setting.
<p>Toner smears or print rubs off. The output has stains on the back side.</p> 	<ul style="list-style-type: none"> • Change the Paper Type settings in the print driver. For example, change Plain to Lightweight Cardstock. In the print driver, on the Printing Options tab, select Paper, then change the Other Type setting. • Verify that the paper is the correct size, type, and weight. If not, change the paper settings. • Verify that the printer is plugged into an outlet that is providing the correct voltage and power. Review the electrical specification of the printer with an electrician if necessary. For details, refer to Electrical Specifications on page 250.
<p>Random spots on the output, or the image is blurry.</p> 	<ul style="list-style-type: none"> • Ensure that the toner cartridge is installed correctly. • If you used a non-genuine brand toner cartridge, install a genuine Xerox toner cartridge. • Use the Rough paper type setting, or try a paper with a smoother surface. • Ensure that the humidity in the room is within specifications. For details, see Relative Humidity on page 249.
<p>The output is blank.</p> 	<ul style="list-style-type: none"> • Power off the printer, then power on again. • If the error persists, contact your Xerox representative.

Symptom	Solutions
<p>Black or white streaks appear in the output.</p> 	<ul style="list-style-type: none"> • Clean the printhead lens using the tool provided. For details, refer to Cleaning the Printhead Lens on page 179. • Replace the Drum Cartridge. • If the error persists, contact your Xerox representative.
<p>The output has a mottled appearance.</p> 	<ul style="list-style-type: none"> • Verify that the paper is the correct size, type, and weight. If not, change the paper settings. • Ensure that the humidity in the room is within specifications. For details, refer to Relative Humidity on page 249. • Choose a different paper type at the control panel, in the application, and in the print driver. • Replace the paper.
<p>Ghosting appears in the printed output.</p> 	<ul style="list-style-type: none"> • Verify that the paper is the correct size, type, and weight. If not, change the paper settings. • Change the Paper Type settings in the print driver. In the print driver, on the Printing Options tab, select Paper, then change the Other Type setting. • Replace the Drum Cartridge.
<p>Auger marks appear on the printed output.</p> 	<ul style="list-style-type: none"> • To check the toner level, check the control panel, use the print driver, or the Embedded Web Server. If the toner cartridge is near empty, replace it. • Verify that the toner cartridge is approved for use in this printer, and replace it as needed. For best results, use a genuine Xerox toner cartridge.

Symptom	Solutions
<p>The output print is wrinkled or stained.</p> 	<ul style="list-style-type: none"> • Verify that the paper is the correct size, type, and weight for the printer and that it is loaded properly. If not, change the paper. • Try a new ream of paper. • Change the Paper Type settings in the print driver. In the print driver, on the Printing Options tab, select Paper, then change the Other Type setting.
<p>Envelopes are wrinkled or creased when printed.</p>	<p>Check if the crease is within 30 mm (1.2 in.) of the four edges of the envelope.</p> <ul style="list-style-type: none"> • If yes, it is printing as expected. Your printer is not faulty. • If not, take the following actions: Ensure that envelopes are loaded properly in the bypass tray. For details, see Loading Envelopes in the Bypass Tray on page 164. Follow the guidelines for printing on envelopes. For details, see Guidelines for Printing Envelopes on page 163. If the problem persists, use a different size envelope.
<p>The top margin is incorrect.</p> 	<ul style="list-style-type: none"> • Ensure that the paper is loaded properly. • Ensure that the margins are set correctly in the application you are using. • Adjust the paper registration. For details, refer to Adjusting Paper Registration on page 193.
<p>The printed surface of the paper is bumpy.</p> 	<ol style="list-style-type: none"> 1. Print a solid image over the entire surface of one sheet of paper. 2. Load the printed sheet into the tray with the printed side face down. 3. Print five blank pages to remove debris from the fuser rollers.

Copy and Scan Problems

If the copy or scan quality is poor, refer to the following table.

Symptoms	Solutions
Lines or streaks only present in copies made from the document feeder.	There is debris on the CVT glass. When scanning, the paper from the document feeder passes over the debris on the glass surfaces, resulting in lines and streaks. Clean all glass surfaces with a lint-free cloth dampened with water. For details, refer to Cleaning the Scanner on page 177.
Spots present in copies taken from the document glass.	There is debris on the document glass. When scanning, the debris creates a spot on the image. Clean all glass surfaces with a lint-free cloth dampened with water.
Image is too light or too dark.	Adjust the lighten/darken setting.
Image quality is poor when scanning color original documents.	For best results, select Black & White output.

If the problem persists, for online support information, go to www.xerox.com/office/VLB70XXsupport.

Fax Problems

This section includes:

- [Problems Sending Faxes](#) 234
- [Problems Receiving Faxes](#)..... 235

Note: If you cannot send and receive faxes, make sure that you are connected to an approved analog telephone line. The fax cannot send or receive when connected to a digital phone line.

If you cannot send or receive faxes correctly, refer to the following tables.

Problems Sending Faxes

Symptoms	Causes	Solutions
The document is not scanned using the document feeder.	The document is too thick, too thin, or too small.	Use the document glass to send the fax.
The document is scanned at an angle.	The document feeder guides are not adjusted to the width of the document.	Adjust the document feeder guides to fit the width of the document.
The fax received by the recipient is blurry.	The document is positioned incorrectly.	Position the document correctly.
	The document glass is dirty.	Clean the document glass.
	The text in the document is too light.	Adjust the resolution.
	There is a problem with the telephone connection.	Verify that the telephone line is working, then send the fax again.
The fax received by the recipient is blank.	There is a problem with the fax machine of the caller.	Make a copy to verify that your printer is operating correctly. If the copy was printed correctly, have the recipient verify the condition of the receiving fax machine.
	The document was loaded incorrectly.	<ul style="list-style-type: none"> • Document feeder: Place the original document face up. • Document glass: Place the original document face down.
Fax was not transmitted.	The fax number is wrong.	Verify the fax number.
	The telephone line is connected incorrectly.	Verify the telephone connection. If it is disconnected, connect it.
	There is a problem with the fax machine of the recipient.	Contact the recipient.
	The fax is not installed or is not enabled.	Verify that the fax is installed and enabled.

If the problem persists, for online support information, go to www.xerox.com/office/VLB70XXsupport.

Problems Receiving Faxes

Symptoms	Causes	Solutions
The received fax is blank.	There is a problem with the telephone connection or with the fax machine of the caller.	Verify that the printer can make clean copies. If it can, have the caller send the fax again.
	The sender loaded the pages incorrectly.	Contact the sender.
The printer answers the call, but does not accept incoming data.	Not enough memory.	If the job contains several graphics, the printer could not have enough memory. The printer does not answer when memory is low. Delete stored documents and jobs then wait for the existing job to complete. This increases available memory.
The received fax size is reduced.	The paper supply in the printer does not match the document size sent.	Confirm the original size of the documents. Documents could be reduced based on the available paper supply in the printer.
Faxes cannot be received automatically.	The printer is set to receive faxes manually.	Set the printer to automatic reception.
	The memory is full.	Load paper if it is empty, and then print the faxes stored in the memory.
	The telephone line is incorrectly connected.	Verify the telephone line connection. If it is disconnected, connect it.
	There is a problem with the fax machine of the sender.	Make a copy to verify that your printer is operating correctly. If the copy prints correctly, have the recipient verify their fax machine is operating correctly.

If the problem persists, for online support information, go to www.xerox.com/office/VLB70XXsupport.

Getting Help

This section includes:

- [Viewing Warning Messages on the Control Panel](#) 236
- [Viewing Current Errors on the Control Panel](#)..... 236
- [Using the Integrated Troubleshooting Tools](#)..... 236
- [Online Support Assistant](#)..... 237
- [Information Pages](#) 237
- [More Information](#)..... 237

Your printer comes with utilities and resources to help you troubleshoot printing problems.

Viewing Warning Messages on the Control Panel

When a warning condition occurs, the printer alerts you of the problem. A message appears on the control panel and the LED status light on the control panel flashes amber or red. Warning alerts inform you about printer conditions, such as low supplies or open doors, that require your attention. If more than one warning condition occurs, only one warning message appears on the control panel at a time.

Viewing Current Errors on the Control Panel

When an error condition occurs, a message appears on the control panel to inform you of the problem. Error messages warn you about printer conditions that prevent the printer from printing or degrade printing performance. If more than one error occurs, only one is displayed on the control panel.

Using the Integrated Troubleshooting Tools

Your printer has a set of reports that you can print. These reports include the Demonstration Print page and the Error History report that can assist you in troubleshooting certain problems. The Demonstration Print page prints an image to show print quality. You can use this page to troubleshoot print quality issues with the printer. The Error History report prints information on the most recent printer errors.

Printing Information Pages

1. At the printer control panel, press the **Home** button.
2. Touch **Device > About > Information Pages**.
3. To print an information page, touch the desired page.
4. To return to the Home screen, press the **Home** button.

Printing the Error History Report

1. At the printer control panel, press the **Home** button.
2. To print the Error History Report, touch **Device > Support > Support Pages > Error History Report**.
3. To return to the Home screen, press the **Home** button.

Online Support Assistant

The Online Support Assistant is a knowledge base that provides instructions and troubleshooting help to solve your printer problems. You can find solutions for print-quality problems, paper jams, software installation issues, and more.

To access the Online Support Assistant, go to www.xerox.com/office/VLB70XXsupport.

Information Pages

Your printer has a set of information pages that you can print. These pages include configuration and font information, demonstration pages, and more. For details, refer to [Information Pages](#) on page 33.

More Information

You can obtain more information about your printer from these sources:

Resource	Location
<i>Installation Guide</i>	Packaged with the printer.
Other documentation for your printer	www.xerox.com/office/VLB70XXdocs
Technical support information for your printer; including online technical support, Online Support Assistant, and print driver downloads.	www.xerox.com/office/VLB70XXsupport
Information Pages	Print from the control panel. For details, refer to Information Pages on page 33.
Order supplies for your printer	www.xerox.com/office/VLB70XXsupplies
Local sales and Technical Customer Support	www.xerox.com/office/worldcontacts
Printer registration	www.xerox.com/office/register
Xerox® Direct online store	www.direct.xerox.com/

Specifications



This appendix includes:

- [Printer Configurations and Options.....](#) 240
- [Physical Specifications.....](#) 243
- [Environmental Specifications.....](#) 249
- [Electrical Specifications.....](#) 250
- [Performance Specifications.....](#) 252

Printer Configurations and Options

Available Configurations

This printer is a network printer with copy, automatic 2-sided printing, scan functions, fax functions, and USB or network connectivity.

Features

Print Speed: 1-Sided: <ul style="list-style-type: none"> • Letter (8.5 x 11 in.), A4 (210 x 297 mm) • Legal (8.5 x 14 in.), 216 x 356 mm • 11 x 17 in., A3, 297 x 420 mm 	<ul style="list-style-type: none"> • 35 ppm maximum • 22 ppm maximum • 19 ppm maximum
Print Speed: 2-Sided: <ul style="list-style-type: none"> • Letter (8.5 x 11 in.), A4 (210 x 297 mm) • Legal (8.5 x 14 in.), 216 x 356 mm • 11 x 17 in., A3, 297 x 420 mm 	<ul style="list-style-type: none"> • 35 ppm maximum • 14 ppm maximum • 13 ppm maximum
Print Resolution	<ul style="list-style-type: none"> • Standard Mode: 600 x 600 dpi • Enhanced Mode: 1200 x 1200 dpi
Paper Capacity: <ul style="list-style-type: none"> • Bypass Tray • Single-Tray Module • 1-Tray Module • 3-Tray Module • Tandem-Tray Module • High-Capacity Feeder • Output Tray • Envelope Tray 	<ul style="list-style-type: none"> • 100 sheets, 80 g/m² • 520 sheets, 80 g/m² • 520 sheets, 80 g/m² • 520 sheets per tray, 80 g/m² • Tray 2: 520 sheets, Tray 3: 870 sheets, Tray 4: 1130 sheets, 80 g/m² • 2000 sheets, 80 g/m² • 500 sheets (A4), 200 sheets (A3), 80 g/m² • 60 envelopes
Output Capacity: <ul style="list-style-type: none"> • Dual Catch Trays • Integrated Office Finisher Stacking Tray • Office Finisher LX Stacking Tray • Booklet Maker • Convenience Stapler 	<ul style="list-style-type: none"> • Up to 250 sheets per tray • Up to 500 sheets for Letter/A4, or 250 sheets for 11 x 17 in./A3, 60–220 g/m² • Up to 2000 sheets unstapled, 1000 sheets with one staple, or 750 sheets with two staples for Letter/A4, 60–220 g/m² • Up to 40 booklets, 2–15 sheets per booklet, 80 g/m² maximum • 50-sheet stapling, 5000 staples
Maximum Print Size	<ul style="list-style-type: none"> • A3 (297 x 410 mm, 11.7 x 16.1 in.) • 11 x 17 in. (279.4 x 431.8 mm)
Maximum Print Area	4 mm from leading edge of paper, 2 mm from side edge and trailing edge of paper

Maximum Weight of Paper for 2-Sided Printing	169 g/m ²
Copy Speed: 1-Sided: <ul style="list-style-type: none"> • Letter (8.5 x 11 in.) / A4 (210 x 297 mm) • A3 (297 x 420 mm) 	<ul style="list-style-type: none"> • 35 cpm maximum • 19 cpm maximum
Copy Speed: 2-Sided: <ul style="list-style-type: none"> • Letter (8.5 x 11 in.) / A4 (210 x 297 mm) • A3 (297 x 420 mm) 	<ul style="list-style-type: none"> • 20 cpm maximum • 15 cpm maximum
Copy Resolution	600 x 600 dpi
Maximum Copy Size	<ul style="list-style-type: none"> • A3 (297 x 410 mm, 11.7 x 16.1 in.) • 11 x 17 in. (279.4 x 431.8 mm)
Document Feeder: <ul style="list-style-type: none"> • Type • Capacity 	<ul style="list-style-type: none"> • Duplex Automatic Document Feeder • 110 sheets
Scan Resolution	600 x 600 dpi
Maximum Scan Size	Document Glass: 332 x 437 mm (13.1 x 17.2 in.) Automatic document feeder: 297 x 431.8 mm (11.7 x 17 in.)
Scan Input Speed: <ul style="list-style-type: none"> • 1-Sided • 2-Sided 	<ul style="list-style-type: none"> • Up to 55 images per minute • Up to 26 images per minute
File Formats	<ul style="list-style-type: none"> • JPEG • TIFF (single page and multi-page) • XPS (single page and multi-page) • PDF (single page and multi-page) • Searchable PDF • Password-protected PDF • Linearized PDF (set using the Embedded Web Server) and PDF/A
Supported Scanning	<ul style="list-style-type: none"> • Scan to Home • Scan to USB • Scan to Email • Scan to Network (Browse FTP or Browse SMB)
Email Address Book	<ul style="list-style-type: none"> • Up to 2000 email addresses
Control Panel	7-inch LCD touch screen with Home and Power/Wake buttons
Connectivity	<ul style="list-style-type: none"> • Ethernet 10/100/1000Base-T • High-speed USB 3.0 • Wi-Fi 801.11n and Wi-Fi Direct with optional Wi-Fi Kit (concurrent wired and wireless connections supported) • NFC Tap-to-Pair
Remote Access	Embedded Web Server

Options and Upgrades

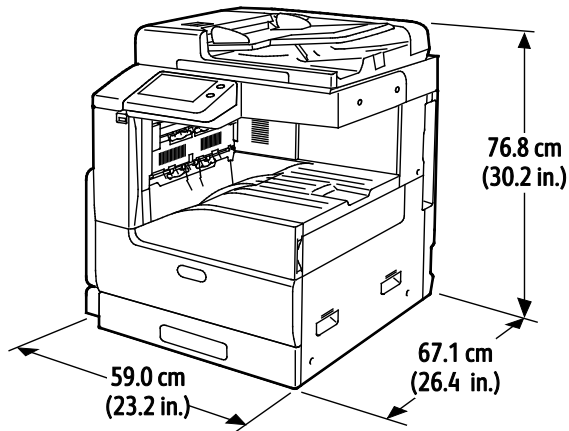
- Optional Paper Trays:
 - Single-Tray Module
 - 1-Tray Module
 - 3-Tray Module
 - Tandem-Tray Module
 - High-Capacity Feeder
 - Envelope Tray
- Output Devices:
 - Center Tray
 - Integrated Office Finisher
 - Office Finisher
 - Booklet Maker
 - Hole Punch
- Connectivity Options:
 - 1-line or 3-line Fax Kit
 - Wi-Fi Kit
- Hard Disk Drive

Note: The Center Tray and Hard Disk Drive are optional for the Base Model only. They are standard features for all other configurations.

Physical Specifications

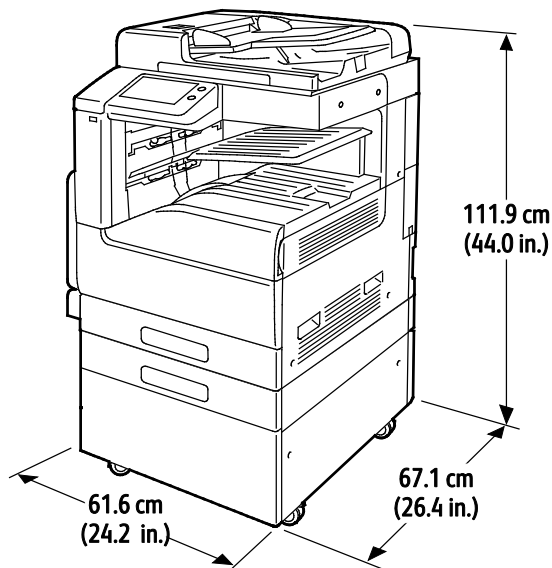
Weights and Dimensions

Base Model



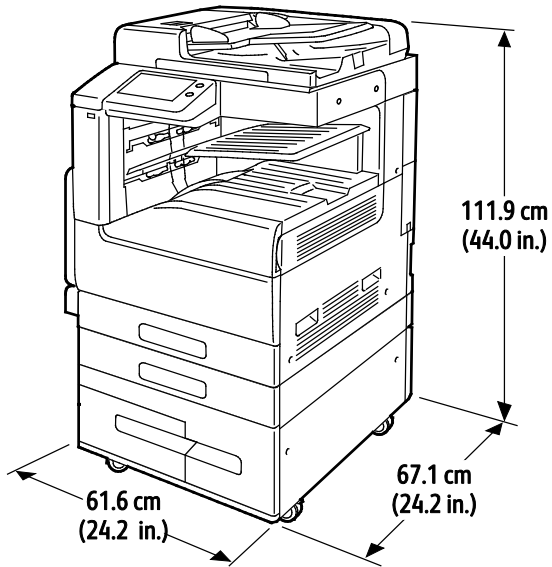
- Width: 59.0 cm (23.2 in.)
- Depth: 67.1 cm (26.4 in.)
- Height: 76.8 cm (30.2 in.)
- Weight: 51.3 kg (113.1 lbs.)

Base Model with Single Tray and Stand Module



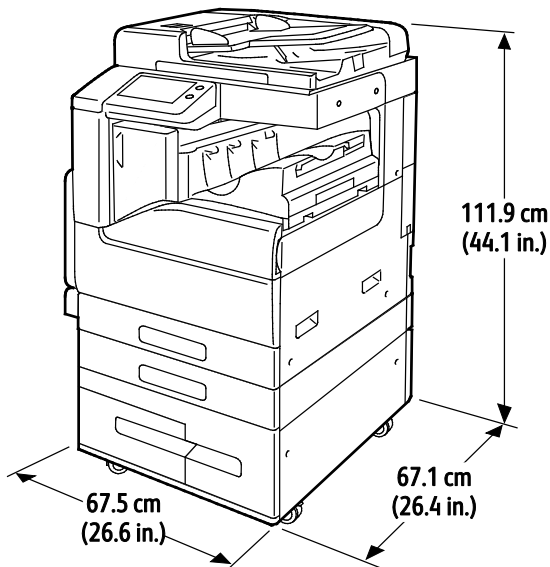
- Width: 61.6 cm (24.2 in.)
- Depth: 67.1 cm (26.4 in.)
- Height: 111.9 cm (44.0 in.)
- Weight: 75.8 kg (167.1 lbs.)

Base Model with High-Capacity Tandem Tray Module



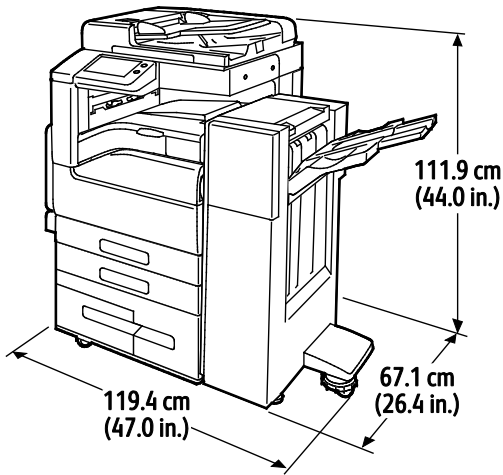
- Width: 61.6 cm (24.2 in.)
- Depth: 67.1 cm (26.4 in.)
- Height: 111.9 cm (44.0 in.)
- Weight: 87.2 kg (192.2 lbs.)

Base Model with High-Capacity Tandem Tray Module and Integrated Office Finisher



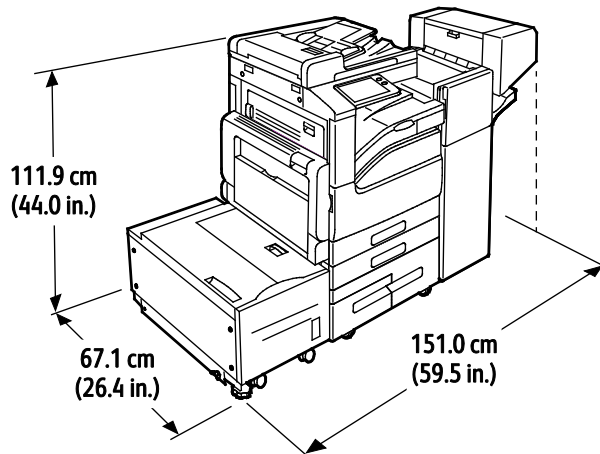
- Width: 67.5 cm (26.6 in.)
- Depth: 67.1 cm (26.4 in.)
- Height: 111.9 cm (44.1 in.)
- Weight: 99.2 kg (218.7 lbs.)

Base Model with High-Capacity Tandem Tray Module and Office Finisher



- Width: 119.4 cm (47.0 in.)
- Depth: 67.1 cm (26.4 in.)
- Height: 111.9 cm (44.0 in.)
- Weight: 115.2 kg (253.9 lbs.)

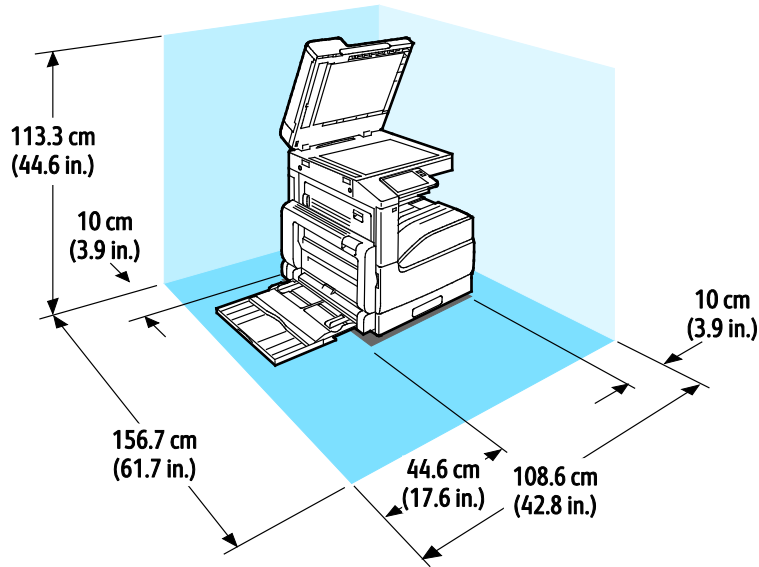
Base Model with High-Capacity Tandem Tray Module, Office Finisher, Booklet Maker, and High-Capacity Feeder



- Width: 151 cm (59.5 in.)
- Depth: 67.1 cm (26.4 in.)
- Height: 111.9 cm (44.0 in.)
- Weight: 153.4 kg (338.1 lbs.)

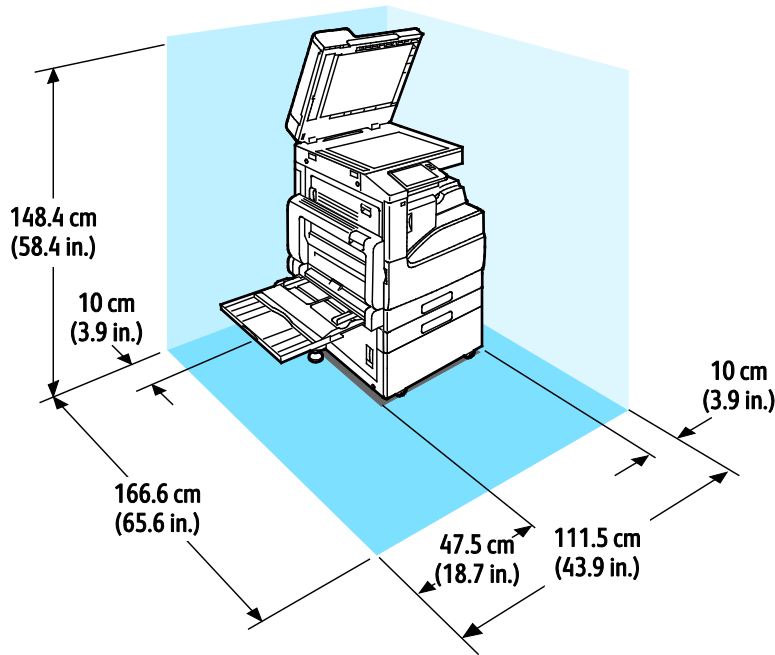
Total Space Requirements

Clearance Requirements for Base Model



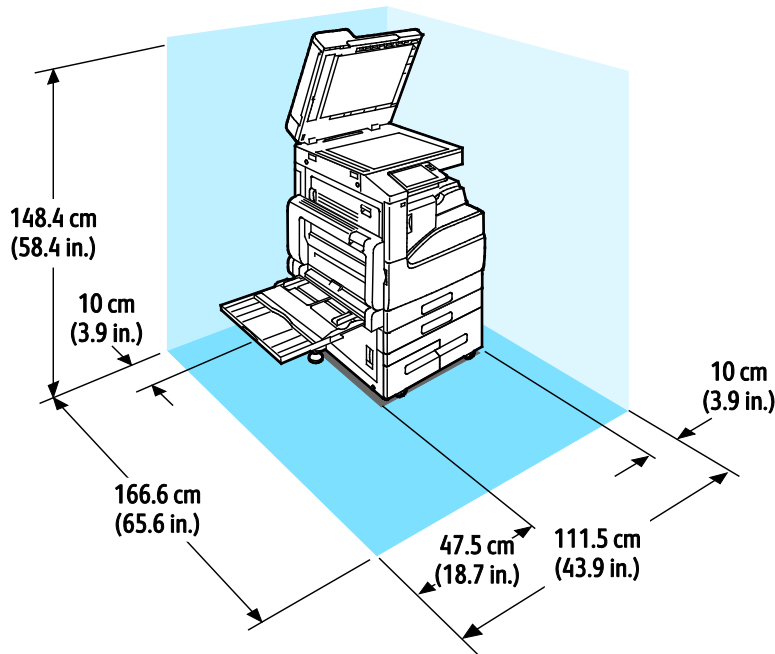
- Width: 108.6 cm (42.8 in.)
- Depth: 156.7 cm (61.7 in.)
- Height: 113.3 cm (44.6 in.)

Clearance Requirements with Single Tray and Stand Module



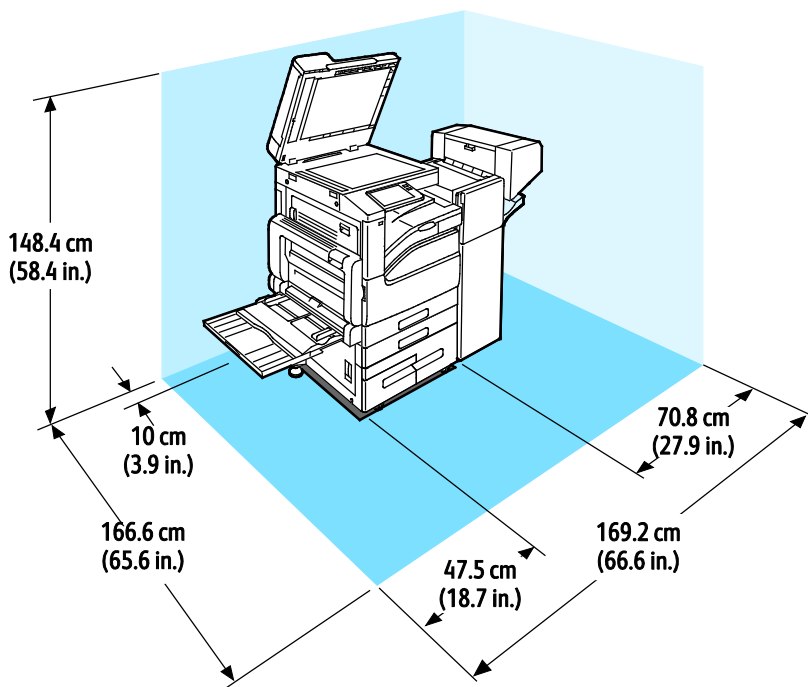
- Width: 111.5cm (43.9 in.)
- Depth: 166.6 cm (65.6 in.)
- Height: 148.4 cm (58.4 in.)

Clearance Requirements with High-Capacity Tandem Tray Module



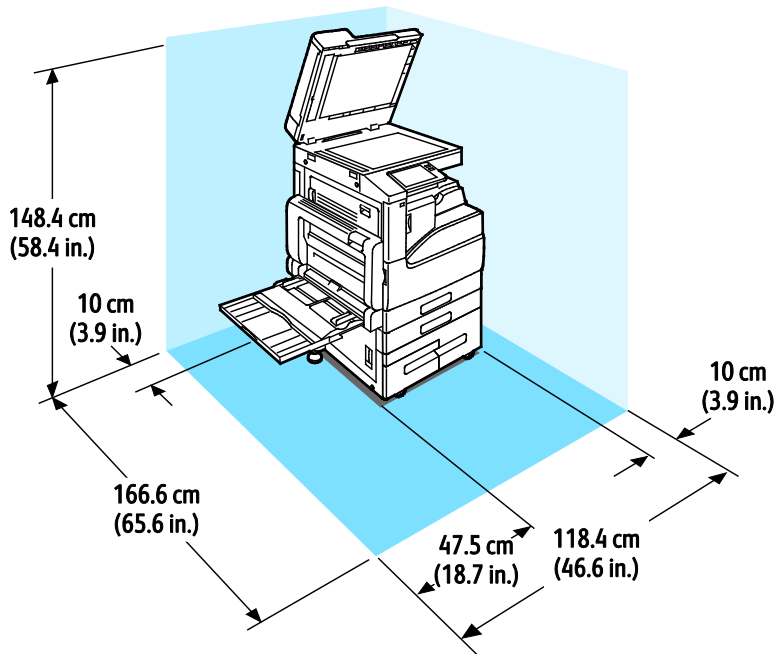
- Width: 111.5cm (43.9 in.)
- Depth: 166.6 cm (65.6 in.)
- Height: 148.4 cm (58.4 in.)

Clearance Requirements with High-Capacity Tandem Tray Module, Office Finisher, and Booklet Maker



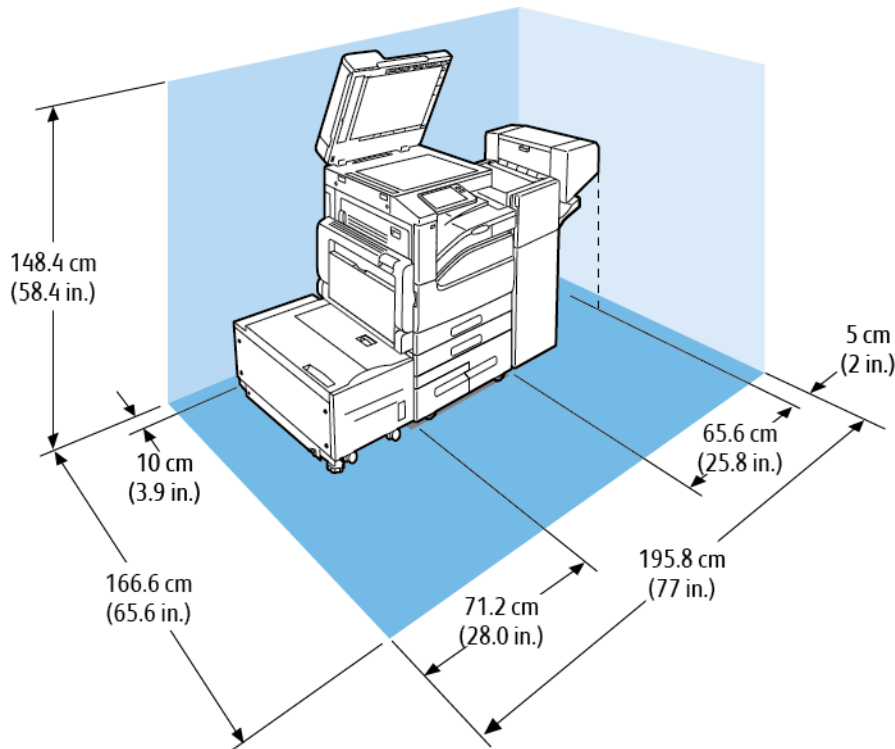
- Width: 169.2 cm (66.6 in.)
- Depth: 166.6 cm (65.6 in.)
- Height: 148.4 cm (58.4 in.)

Clearance Requirements with High-Capacity Tandem Tray Module and Integrated Office Finisher



- Width: 118.4 cm (46.6 in.)
- Depth: 166.6 cm (65.6 in.)
- Height: 148.4 cm (58.4 in.)

Clearance Requirements with High-Capacity Tandem Tray Module, Office Finisher, Booklet Maker, and High-Capacity Feeder



- Width: 195.8 cm (77.0 in.)
- Depth: 166.6 cm (65.6 in.)
- Height: 148.4 cm (58.4 in.)

Environmental Specifications

Temperature

- Operating Temperature Range: 10–32°C (50–90°F)
- Optimal Temperature Range: 15–28°C (59–82°F)

Relative Humidity

Minimum–Maximum Humidity Range: 15–85 % (non-condensing)

- When temperature is below 32°C (90°F), relative humidity must be 62.5 % or below
- When relative humidity is 85 %, temperature must be 28°C (82°F) or below

Note: In extreme environmental conditions, such as 10°C (50°F) and 85 % relative humidity, printing defects can occur, due to condensation inside the printer.

Elevation

For optimum performance, use the printer at elevations below 2500 m (8200 ft.).

Electrical Specifications

Power Supply Voltage and Frequency

Power Supply Voltage	Frequency	Current Required
110–127 VAC +6 % /-10 % (99–135 VAC)	50/60 Hz +/-3 %	12 A
220–240 VAC +/-10 % (198–264 VAC)	50 Hz +/-3 Hz	8 A

Power Consumption

- 110–127 V:
 - Maximum power consumption: 1.7 kW
 - Sleep mode: 1.2 W or less
 - Low-Power mode: 46 W or less
 - Standby: 83 W or less
- 220–240 V:
 - Maximum power consumption: 1.92 kW
 - Sleep mode: 1.4 W or less
 - Low-Power mode: 46 W or less
 - Standby: 86 W or less

ENERGY STAR Qualified Product

This product is ENERGY STAR® qualified under the ENERGY STAR Program Requirements for Imaging Equipment.



The ENERGY STAR and ENERGY STAR mark are registered United States trademarks.

The ENERGY STAR Imaging Equipment Program is a team effort between United States, European Union, and Japanese governments and the office equipment industry to promote energy-efficient copiers, printers, fax, multifunction printers, personal computers, and monitors. Reducing product energy consumption helps combat smog, acid rain, and long-term changes to the climate by decreasing the emissions that result from generating electricity.

ENERGY STAR settings are preset on Xerox® equipment at the factory to switch to Power Saver modes after 10 minutes from the last copy or print.

Germany - Blue Angel



RAL, the German Institute for Quality Assurance and Labeling, has awarded this device the Blue Angel Environmental Label. This label distinguishes it as a device that satisfies Blue Angel criteria for environmental acceptability in terms of device design, manufacture, and operation. For more information, go to: www.blauer-engel.de.

Recycling Supplies

If you want to return used supplies for recycling, follow the instructions included with the new supplies. If the instructions or shipping label are not available, for more information, go to www.xerox.com/gwa for more information.

Performance Specifications

Feature	Specifications
Printer warm-up time	Power on: 98 seconds
Recovery from sleep mode	12 seconds
Recovery from low-power mode	12 seconds

Print Speed

Several factors affect print speed:

- Print mode: The fastest print mode is Standard.
- Paper size: Letter (8.5 x 11 in.) prints slightly faster than A4 (210 x 297 mm). Larger paper sizes reduce print speeds.
- Paper type and weights: For faster printing, use paper weights of 105 g/m² or less.

Maximum Print Speeds:

Paper Weight	A4/Letter		A3	
	1-Sided Printing	2-Sided Printing	1-Sided Printing	2-Sided Printing
Plain	35 ppm	35 ppm	19 ppm	13 ppm
Heavyweight 1: 106-169 g/m ²	25 ppm	25 ppm	14 ppm	9 ppm
Heavyweight 2: 170–256 g/m ²	12 ppm	NA	7 ppm	NA

Regulatory Information

B

This appendix includes:

- Basic Regulations.....254
- Copy Regulations.....260
- Fax Regulations.....263
- Safety Certification.....269
- Material Safety Data Sheets.....270

Basic Regulations

Xerox has tested this printer to electromagnetic emission and immunity standards. These standards are designed to mitigate interference caused or received by this printer in a typical office environment.

United States FCC Regulations

This equipment has been tested and found to comply with the limits for a Class A digital device, pursuant to Part 15 of the FCC Rules. These limits are designed to provide reasonable protection against harmful interference when the equipment is operated in a commercial environment. This equipment generates, uses, and can radiate radio frequency energy. If the equipment is not installed and used in accordance with these instructions, it can cause harmful interference to radio communications. Operation of this equipment in a residential area is likely to cause harmful interference. Users are required to correct the interference at their own expense.

If this equipment does cause harmful interference to radio or television reception, which can be determined by turning the equipment off and on, the user is encouraged to try to correct the interference by one or more of the following measures:

- Reorient or relocate the receiving antenna.
- Increase the separation between the equipment and receiver.
- Connect the equipment into an outlet on a circuit different from that to which the receiver is connected.

Consult the dealer or an experienced radio/TV technician for help.

Changes or modifications to this equipment not approved by Xerox can void the authority of the user to operate this equipment.



WARNING: To ensure compliance with Part 15 of the FCC rules, use shielded interface cables.

Canada

This Class A digital apparatus complies with Canadian ICES-003.

Cet appareil numérique de la classe A est conforme à la norme NMB-003 du Canada.

Certifications in Europe



The CE mark applied to this product symbolizes a declaration of conformity by Xerox with the following applicable Directives of the European Union as of the dates indicated:

- February 26, 2014: Low Voltage Directive 2014/35/EU
- February 26, 2014: Electromagnetic Compatibility Directive 2014/30/EU
- March 9, 1999: Radio & Telecommunications Terminal Equipment Directive 1999/5/EC

This printer, if used properly in accordance with the instructions, is not dangerous for the consumer or for the environment.

A signed copy of the Declaration of Conformity for this printer can be obtained from Xerox.



WARNINGS:

- Changes or modifications to this equipment not specifically approved by the Xerox Corporation may void the user's authority to operate this equipment.
- External radiation from Industrial, Scientific, and Medical (ISM) equipment can interfere with the operation of this Xerox device. If external radiation from ISM equipment interferes with this device, contact your Xerox representative for assistance.
- This is a class A product. In a domestic environment, this product can cause radio frequency interference, in which case the user can be required to take adequate measures.
- To ensure compliance with European Union regulations, use shielded interface cables.

European Union Lot 4 Imaging Equipment Agreement Environmental Information

Environmental Information Providing Environmental Solutions and Reducing Cost

The following information has been developed to assist users and has been issued in relation to the European Union (EU) Energy Related Products Directive, specifically the Lot 4 study on Imaging Equipment. This requires manufacturers to improve environmental performance of in scope products and supports the EU action plan on energy efficiency.

In scope products are Household and Office equipment that meet the following criteria.

- Standard monochrome format products with a maximum speed less than 66 A4 images per minute
- Standard color format products with a maximum speed less than 51 A4 images per minute

Environmental Benefits of Duplex Printing

Most Xerox products have duplex printing, also known as 2-sided printing, capability. This enables you to print on both sides of the paper automatically, and therefore helps to reduce the use of valuable resources by reducing your paper consumption. The Lot 4 Imaging Equipment agreement requires that on models greater than or equal to 40 ppm color or greater than or equal to 45 ppm monochrome the duplex function has been auto enabled, during the setup and driver installation. Some Xerox models below these speed bands may also be enabled with 2-sided printing settings defaulted on at the time of install. Continuing to use the duplex function will reduce the environmental impact of your work. However, should you require simplex/1-sided printing, you may change the print settings in the print driver.

Paper Types

This product can be used to print on both recycled and virgin paper, approved to an environmental stewardship scheme, which complies with EN12281 or a similar quality standard. Lighter weight paper (60 g/m²), which contains less raw material and thus save resources per print, may be used in certain applications. We encourage you to check if this is suitable for your printing needs.

ENERGY STAR



The ENERGY STAR program is a voluntary scheme to promote the development and purchase of energy efficient models, which help to reduce environmental impact. Details on the ENERGY STAR program and models qualified to ENERGY STAR can be found at the following website:

www.energystar.gov/index.cfm?fuseaction=find_a_product.showProductGroup&pgw_code=IEQ

The ENERGY STAR and ENERGY STAR mark are registered United States trademarks.

The ENERGY STAR Imaging Equipment Program is a team effort between United States, European Union, and Japanese governments and the office equipment industry to promote energy-efficient copiers, printers, fax, multifunction printers, personal computers, and monitors. Reducing product energy consumption helps combat smog, acid rain, and long-term changes to the climate by decreasing the emissions that result from generating electricity.

Power Consumption and Activation Time

The amount of electricity that a device consumes depends on the way the device is used. This device is designed and configured to enable you to reduce your electricity usage.

Power Saver modes are enabled on your device to reduce energy consumption. After the last print, the device transitions to Ready mode. In this mode, the device can print again immediately. If the device is not used for a specified period, the device transitions to Low Power mode, then to Sleep mode. In these modes, to enable reduced-power consumption, only essential functions remain active. The device takes longer to produce the first print after it exits the Power Saver modes than it takes to print in Ready mode. This delay is the result of the system waking up and is typical of most imaging devices on the market.

To save power, you can enable Auto Power Off mode on your device. If Auto Power Off mode is enabled, you can configure the mode as follows:

- **Always Allowed:** The device powers off automatically after the specified time, and the cumulative Low Power mode and Sleep mode timeouts have elapsed.
- **Allowed ONLY When Conditions are Met:** The device automatically powers off only after timeouts have elapsed. The device also powers off if Fax, USB Drive, and Wired and Non-Wired Network have not been activated.

To change the Power Saver settings, refer to the *User Guide* at www.xerox.com/office/VLB70XXdocs. For further assistance, contact your System Administrator or refer to the *System Administrator Guide*.

To enable Auto Power Off mode, contact your System Administrator. For details, refer to the *System Administrator Guide* at www.xerox.com/office/VLB70XXdocs.

To learn more about Xerox participation in sustainability initiatives, go to: www.xerox.com/about-xerox/environment/enus.html.

Note: Changing the default Power Saver activation times can result in an overall higher energy consumption of the device. Before you turn off Power Saver modes or set a long activation time, consider the increase in device power consumption.

Default Power Saver Settings

This device is ENERGY STAR®-qualified under the ENERGY STAR Program Requirements for Imaging Equipment. The transition time from Ready mode to Low Power mode can be set up to 60 minutes. The default value is 1 minute. The transition time from Low Power mode to Sleep mode can be set up to 60 minutes. The default value is 1 minute. The total transition time from Ready mode to Sleep mode can take up to 60 minutes.

To change the Power Saver settings, contact your system administrator or refer to *System Administrator Guide* at www.xerox.com/office/VLB70XXdocs.

Environmental Choice Certified to Office Machines CCD-035



This product is certified to Environmental Choice standard for office machines, meeting all requirements for reduced environmental impact. As part of achieving certification, Xerox Corporation has proven this product meets the Environmental Choice criteria for energy efficiency. Certified copier, printer, multifunctional device, and fax products must also meet criteria such as reduced chemical emissions and demonstrate compatibility with recycled supplies. Environmental Choice was established in 1988 to help consumers find products and services with reduced environmental impacts. Environmental Choice is a voluntary, multi-attribute, and lifecycle-based environmental certification. This certification indicates that a product has undergone rigorous scientific testing, exhaustive auditing, or both, to prove its compliance with stringent, third-party, environmental performance standards.

Germany

Germany - Blue Angel



RAL, the German Institute for Quality Assurance and Labeling, has awarded this device the Blue Angel Environmental Label. This label distinguishes it as a device that satisfies Blue Angel criteria for environmental acceptability in terms of device design, manufacture, and operation. For more information, go to: www.blauer-engel.de.

Blendschutz

Das Gerät ist nicht für die Benutzung im unmittelbaren Gesichtsfeld am Bildschirmarbeitsplatz vorgesehen. Um störende Reflexionen am Bildschirmarbeitsplatz zu vermeiden, darf dieses Produkt nicht im unmittelbaren Gesichtsfeld platziert werden.

Lärmemission

Maschinenlärminformations-Verordnung 3. GPSGV: Der höchste Schalldruckpegel beträgt 70 dB(A) oder weniger gemäß EN ISO 7779.

Importeur

Xerox GmbH

Hellersbergstraße 2-4

41460 Neuss

Deutschland

Turkey RoHS Regulation

In compliance with Article 7 (d), we hereby certify “it is in compliance with the EEE regulation.”

“EEE yönetmeliğine uygundur.”

Eurasian Economic Community Certification



Russia, Belarus, and Kazakhstan are working to establish a common customs union, the Eurasian Economic Community, or EurAsEC. The Eurasian Economic Community members anticipate sharing a common regulatory scheme and common EurAsEC certification mark, the EAC Mark.

Regulatory Information for 2.4 GHz Wireless Network Adapter

This product contains a 2.4 GHz Wireless LAN radio transmitter module which complies with the requirements specified in FCC Part 15, Industry Canada RSS-210 and European Council Directive 99/5/EC.

Operation of this device is subject to the following two conditions: (1) this device may not cause harmful interference, and (2) this device must accept any interference received, including interference that may cause undesired operation.

Changes or modifications to this device not specifically approved by the Xerox Corporation may void the user's authority to operate this equipment.

Ozone Release

This printer produces ozone during normal operation. The amount of ozone produced is dependent on copy volume. Ozone is heavier than air and is not produced in amounts large enough to harm anyone. Install the printer in a well-ventilated room.

For more information in the United States and Canada, go to www.xerox.com/environment. In other markets, please contact your local Xerox representative or go to www.xerox.com/environment_europe.

Copy Regulations

United States

Congress, by statute, has forbidden the reproduction of the following subjects under certain circumstances. Penalties of fine or imprisonment may be imposed on those guilty of making such reproductions.

1. Obligations or Securities of the United States Government, such as:
 - Certificates of Indebtedness.
 - National Bank Currency.
 - Coupons from Bonds.
 - Federal Reserve Bank Notes.
 - Silver Certificates.
 - Gold Certificates.
 - United States Bonds.
 - Treasury Notes.
 - Federal Reserve Notes.
 - Fractional Notes.
 - Certificates of Deposit.
 - Paper Money.
 - Bonds and Obligations of certain agencies of the government, such as FHA and so on.
 - Bonds. United States Savings Bonds may be photographed only for publicity purposes in connection with the campaign for the sale of such bonds.
 - Internal Revenue Stamps. If it is necessary to reproduce a legal document on which there is a canceled revenue stamp, this may be done provided the reproduction of the document is performed for lawful purposes.
 - Postage Stamps, canceled or uncanceled. For philatelic purposes, Postage Stamps may be photographed, provided the reproduction is in black and white and is less than 75 % or more than 150 % of the linear dimensions of the original.
 - Postal Money Orders.
 - Bills, Checks, or Drafts of money drawn by or upon authorized officers of the United States.
 - Stamps and other representatives of value, of whatever denomination, which have been or may be issued under any Act of Congress.
 - Adjusted Compensation Certificates for Veterans of the World Wars.
2. Obligations or Securities of any Foreign Government, Bank, or Corporation.
3. Copyrighted materials, unless permission of the copyright owner has been obtained or the reproduction falls within the “fair use” or library reproduction rights provisions of the copyright law. Further information of these provisions may be obtained from the Copyright Office, Library of Congress, Washington, D.C. 20559. Ask for Circular R21.

4. Certificate of Citizenship or Naturalization. Foreign Naturalization Certificates may be photographed.
5. Passports. Foreign Passports may be photographed.
6. Immigration papers.
7. Draft Registration Cards.
8. Selective Service Induction papers that bear any of the following Registrant's information:
 - Earnings or Income.
 - Court Record.
 - Physical or mental condition.
 - Dependency Status.
 - Previous military service.
 - Exception: United States military discharge certificates may be photographed.
9. Badges, Identification Cards, Passes, or Insignia carried by military personnel, or by members of the various Federal Departments, such as FBI, Treasure, and so on (unless photograph is ordered by the head of such department or bureau).

Reproducing the following is also prohibited in certain states:

- Automobile Licenses.
- Drivers' Licenses.
- Automobile Certificates of Title.

The preceding list is not all inclusive, and no liability is assumed for its completeness or accuracy. In case of doubt, consult your attorney.

For more information about these provisions contact the Copyright Office, Library of Congress, Washington, D.C. 20559. Ask for Circular R21.

Canada

Parliament, by statute, has forbidden the reproduction of the following subjects under certain circumstances. Penalties of fine or imprisonment may be imposed on those guilty of making such reproductions.

- Current bank notes or current paper money
- Obligations or securities of a government or bank
- Exchequer bill paper or revenue paper
- The public seal of Canada or of a province, or the seal of a public body or authority in Canada, or of a court of law
- Proclamations, orders, regulations, or appointments, or notices thereof (with intent to falsely cause same to purport to have been printed by the Queens Printer for Canada, or the equivalent printer for a province)

- Marks, brands, seals, wrappers, or designs used by or on behalf of the Government of Canada or of a province, the government of a state other than Canada or a department, board, Commission, or agency established by the Government of Canada or of a province or of a government of a state other than Canada
- Impressed or adhesive stamps used for the purpose of revenue by the Government of Canada or of a province or by the government of a state other than Canada
- Documents, registers, or records kept by public officials charged with the duty of making or issuing certified copies thereof, where the copy falsely purports to be a certified copy thereof
- Copyrighted material or trademarks of any manner or kind without the consent of the copyright or trademark owner

This list is provided for your convenience and assistance, but it is not all-inclusive, and no liability is assumed for its completeness or accuracy. In case of doubt, consult your solicitor.

Other Countries

Copying certain documents may be illegal in your country. Penalties of fine or imprisonment may be imposed on those found guilty of making such reproductions.

- Currency notes
- Bank notes and checks
- Bank and government bonds and securities
- Passports and identification cards
- Copyright material or trademarks without the consent of the owner
- Postage stamps and other negotiable instruments

This list is not inclusive and no liability is assumed for either its completeness or accuracy. In case of doubt, contact your legal counsel.

Fax Regulations

United States

Fax Send Header Requirements

The Telephone Consumer Protection Act of 1991 makes it unlawful for any person to use a computer or other electronic device, including a fax machine, to send any message unless such message clearly contains in a margin at the top or bottom of each transmitted page or on the first page of the transmission, the date and time it is sent and an identification of the business or other entity, or other individual sending the message and the telephone number of the sending machine or such business, other entity, or individual. The telephone number provided may not be a 900 number or any other number for which charges exceed local or long-distance transmission charges.

For instructions on programming the Fax Send Header information, refer to the section of the *System Administrator Guide* on Setting Transmission Defaults.

Data Coupler Information

This equipment complies with Part 68 of the FCC rules and the requirements adopted by the Administrative Council for Terminal Attachments (ACTA). On the cover of this equipment is a label that contains, among other information, a product identifier in the format US:AAAEQ##TXXXX. If requested, this number must be provided to the Telephone Company.

A plug and jack used to connect this equipment to the premises wiring and telephone network must comply with the applicable FCC Part 68 rules and requirements adopted by the ACTA. A compliant telephone cord and modular plug is provided with this product. It connects to a compatible modular jack that is also compliant. See installation instructions for details.

You can safely connect the printer to the following standard modular jack: USOC RJ-11C using the compliant telephone line cord (with modular plugs) provided with the installation kit. See installation instructions for details.

The Ringer Equivalence Number (REN) is used to determine the number of devices that can be connected to a telephone line. Excessive RENs on a telephone line could result in the devices not ringing in response to an incoming call. In most but not all areas, the sum of RENs should not exceed five (5.0). To be certain of the number of devices that can be connected to a line, as determined by the RENs, contact the local Telephone Company. For products approved after July 23, 2001, the REN is part of the product identifier that has the format US:AAAEQ##TXXXX. The digits represented by ## are the REN without a decimal point (for example, 03 is a REN of 0.3). For earlier products, the REN is separately shown on the label.

To order the correct service from the local Telephone Company, you could also have to quote the codes in the following list:

- Facility Interface Code (FIC) = 02LS2
- Service Order Code (SOC) = 9.0Y



CAUTION: Ask your local Telephone Company for the modular jack type installed on your line. Connecting this machine to an unauthorized jack can damage telephone company equipment. You, not Xerox, assume all responsibility and/or liability for any damage caused by the connection of this machine to an unauthorized jack.

If this Xerox® equipment causes harm to the telephone network, the Telephone Company could temporarily discontinue service to the telephone line to which it is connected. If advance notice is not practical, the Telephone Company notifies you of the disconnection as soon as possible. If the Telephone Company interrupts your service, they can advise you of your right to file a complaint with the FCC if you believe that it is necessary.

The Telephone Company could change its facilities, equipment, operations, or procedures which could affect the operation of the equipment. If the Telephone Company changes something that affects the operation of the equipment, they should notify you in order for you to make necessary modifications to maintain uninterrupted service.

If you experience trouble with this Xerox® equipment, please contact the appropriate service center for repair or warranty information. Contact information is contained in the Device app on the printer and in the back of the Troubleshooting section of the *User Guide*. If the equipment is causing harm to the telephone network, the Telephone Company may request you to disconnect the equipment until the problem is resolved.

Only a Xerox Service Representative or an authorized Xerox Service provider are authorized to make repairs to the printer. This applies at any time during or after the service warranty period. If unauthorized repair is performed, the remainder of the warranty period is null and void.

This equipment must not be used on party lines. Connection to party line service is subject to state tariffs. Contact the state public utility commission, public service commission, or corporation commission for information.

Your office could have specially wired alarm equipment connected to the telephone line. Make sure that the installation of this Xerox® equipment does not disable your alarm equipment.

If you have questions about what could disable alarm equipment, consult your Telephone Company or a qualified installer.

Canada

This product meets the applicable Industry Canada technical specifications.

A representative designated by the supplier should coordinate repairs to certified equipment. Repairs or alterations made by the user to this device, or device malfunctions, could cause the telecommunications company to request you to disconnect the equipment.

For user protection, make sure that the printer is properly grounded. The electrical ground connections of the power utility, telephone lines, and internal metallic water pipe systems, if present, must be connected together. This precaution could be vital in rural areas.



WARNING: Do not attempt to make such connections yourself. Contact the appropriate electric inspection authority, or electrician, to make the ground connection.

The REN assigned to each terminal device provides an indication of the maximum number of terminals allowed to be connected to a telephone interface. The termination on an interface could consist of any combination of devices. The only limitation to the number of devices is the requirement that the sum of the RENs of the devices does not exceed 5. For the Canadian REN value, please see the label on the equipment.

Canada CS-03 Issue 9

This product has been tested to and is compliant with CS-03 issue 9.

European Union

Radio Equipment and Telecommunications Terminal Equipment Directive

This device has been designed to work with the national public switched telephone networks and compatible PBX devices of the following countries:

Pan-European Analog PSTN and Compatible PBX Certifications		
Austria	Greece	Netherlands
Belgium	Hungary	Norway
Bulgaria	Iceland	Poland
Cyprus	Ireland	Portugal
Czech Republic	Italy	Romania
Denmark	Latvia	Slovakia
Estonia	Liechtenstein	Slovenia
Finland	Lithuania	Spain
France	Luxembourg	Sweden
Germany	Malta	United Kingdom

If you have problems with your product, contact your local Xerox representative. This product can be configured to be compatible with other country networks. Before reconnecting the device to a network in another country, contact your Xerox representative for assistance.

Notes:

- Although this product can use either loop disconnect (pulse) or DTMF tone signaling, Xerox recommends that you use DTMF signaling. DTMF signaling provides reliable and faster call setup.
- Modification of this product, or connection to external control software or control apparatus not authorized by Xerox, invalidates its certification.

New Zealand

1. The grant of a Telepermit for any item of terminal equipment indicates only that Telecom has accepted that the item complies with minimum conditions for connection to its network. It indicates no endorsement of the product by Telecom, it does not provide any sort of warranty, and it does not imply that any Telepermitted product is compatible with all Telecom network services. Above all, it provides no assurance that any item will work correctly in all respects with another item of Telepermitted equipment of a different make or model.

The equipment may not be capable of correct operation at the higher data speeds designated. 33.6 kbps and 56 kbps connections are likely to be restricted to lower bit rates when connected to some PSTN implementations. Telecom will accept no responsibility for difficulties that arise in such circumstances.

2. Immediately disconnect this equipment should it become physically damaged, then arrange for its disposal or repair.
3. This modem shall not be used in any manner which could constitute a nuisance to other Telecom customers.
4. This device is equipped with pulse dialing, while the Telecom standard is DTMF tone dialing. There is no guarantee that Telecom lines will always continue to support pulse dialing.
5. Use of pulse dialing, when this equipment is connected to the same line as other equipment, may give rise to 'bell tinkle' or noise and cause a false answer condition. If you encounter such problems, do not contact the Telecom Faults Service.
6. DTMF tones dialing is the preferred method because it is faster than pulse (decadic) dialing and is readily available on almost all New Zealand telephone exchanges.



WARNING: No '111' or other calls can be made from this device during a mains power failure.

7. This equipment may not provide for the effective hand-over of a call to another device connected to the same line.

8. Some parameters required for compliance with Telecom Telepermit requirements are dependent on the equipment (computer) associated with this device. The associated equipment shall be set to operate within the following limits for compliance with Telecom Specifications:

For repeat calls to the same number:

- There shall be no more than 10 call attempts to the same number within any 30 minute period for any single manual call initiation, and
- The equipment shall go on-hook for a period of not less than 30 seconds between the end of one attempt and the beginning of the next attempt.

For automatic calls to different numbers:

The equipment shall be set to ensure that automatic calls to different numbers are spaced such that there is no less than five seconds between the end of one call attempt and the beginning of another.

9. For correct operation, total of the RNs of all devices connected to a single line at any time should not exceed five.

South Africa

This modem must be used in conjunction with an approved surge protection device.

Safety Certification

This device is certified by the following Agencies using the following safety standards.

Agency	Standard
Underwriters Laboratories Inc. (US/Canada)	UL 60950-1, 2nd Edition, 2014-10-14 CAN/CSA C22.2 No. 60950-1-07, 2nd Edition, 2014-10
Underwriters Laboratories Inc. (Europe)	IEC 60950-1:2005 + A1:2009 + A2:2013 EN 60950-1:2006 + A11:2009 + A1:2010 + A12:2011 + A2:2013

Material Safety Data Sheets

For Material Safety Data information regarding your printer, go to:

- North America: www.xerox.com/msds
- European Union: www.xerox.com/environment_europe

For the Customer Support Center phone numbers, go to www.xerox.com/office/worldcontacts.

Recycling and Disposal



This appendix includes:

- All Countries.....272
- North America.....273
- European Union274
- Other Countries276

All Countries

If you are managing the disposal of your Xerox product, please note that the printer may contain lead, mercury, perchlorate, and other materials whose disposal may be regulated due to environmental considerations. The presence of these materials is fully consistent with global regulations applicable at the time that the product was placed on the market. For recycling and disposal information, contact your local authorities. Perchlorate Material: This product may contain one or more Perchlorate-containing devices, such as batteries. Special handling may apply. For more information, go to www.dtsc.ca.gov/hazardouswaste/perchlorate.

North America

Xerox operates an equipment take-back and reuse/recycle program. Contact your Xerox representative (1-800-ASK-XEROX) to determine if this Xerox product is part of the program. For more information about Xerox environmental programs, visit www.xerox.com/environment, or for recycling and disposal information, contact your local authorities.

European Union

Some equipment may be used in both a domestic/household and a professional/business application.

Domestic/Household Environment



Application of this symbol on your equipment is confirmation that you should not dispose of the equipment in the normal household waste stream.

In accordance with European legislation, end of life electrical and electronic equipment subject to disposal must be segregated from household waste.

Private households within EU member states may return used electrical and electronic equipment to designated collection facilities free of charge. Please contact your local disposal authority for information.

In some member states, when you purchase new equipment, your local retailer may be required to take back your old equipment free of charge. Please ask your retailer for information.

Professional/Business Environment



Application of this symbol on your equipment is confirmation that you must dispose of this equipment in compliance with agreed national procedures.

In accordance with European legislation, end of life electrical and electronic equipment subject to disposal must be managed within agreed procedures.

Prior to disposal, please contact your local reseller or Xerox representative for end of life take-back information.

Collection and Disposal of Equipment and Batteries



These symbols on the products and/or accompanying documents mean that used electrical and electronic products and batteries should not be mixed with general household waste.

For proper treatment, recovery, and recycling of old products and used batteries, please take them to applicable collection points, in accordance with your national legislation and the Directive 2002/96/EC and 2006/66/EC.

By disposing of these products and batteries correctly, you will help to save valuable resources and prevent any potential negative effects on human health and the environment which could otherwise arise from inappropriate waste handling.

For more information about collection and recycling of old products and batteries, please contact your local municipality, your waste disposal service or the point of sale where you purchased the items.

Penalties may be applicable for incorrect disposal of this waste, in accordance with national legislation.

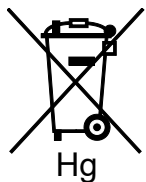
Business Users in the European Union

If you wish to discard electrical and electronic equipment, please contact your dealer or supplier for further information.

Disposal Outside of the European Union

These symbols are only valid in the European Union. If you wish to discard these items, please contact your local authorities or dealer and ask for the correct method of disposal.

Battery Symbol Note



This wheeled bin symbol may be used in combination with a chemical symbol. This establishes compliance with the requirements set out by the Directive.

Battery Removal








Batteries should only be replaced by a manufacturer-approved service facility.



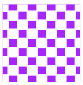






Other Countries











Please contact your local waste management authority to request disposal guidance.











Apps Features









Feature	Description	Copy	Email	Fax	Scan To	ID Card Copy
	Preset Use Preset to select values that were stored previously. Select the required Preset from the menu.	▪	▪	▪	▪	
	Output Color Use Output Color to control the color rendering of the output image or print.		▪		▪	
	2-Sided and 2-Sided Scanning You can use the 2-Sided options to set the device to scan one or both sides of an original document. For Copy jobs, you can specify 1-Sided or 2-Sided output.	▪	▪	▪	▪	
	Saturation Saturation allows you to adjust the color strength and the amount of gray in the color.		▪		▪	
	Paper Supply Use Paper Supply to specify the size, type and color of the paper required, or the Paper Tray to use. If Auto is selected, the printer chooses the paper tray based on the original document size and the selected settings.	▪				▪
	Collated You can collate multi-page copy jobs automatically. For example, when making three 1-Sided copies of a six-page document, the copies are printed in this order: 1, 2, 3, 4, 5, 6; 1, 2, 3, 4, 5, 6; 1, 2, 3, 4, 5, 6.	▪				
	Reduce/Enlarge You can reduce the image to as little as 25 % of its original size or enlarge it as much as 400 %.	▪				▪

Feature	Description	Copy	Email	Fax	Scan To	ID Card Copy
	Original Type The printer optimizes the image quality of the copies based on the type of images in the original document and how the original was created.	▪	▪	▪	▪	▪
	Lighten/Darken Use the Lighten/Darken slider to make the output image or print lighter or darker.	▪	▪	▪	▪	▪
	Sharpness Use this option to sharpen the output image or print. For best results, sharpen text images and soften photos.	▪	▪	▪	▪	
	Original Orientation You can use the Original Orientation option to specify the layout of the original images. The printer uses the information to determine if images require rotation to produce the required output.	▪	▪		▪	
	Image Shift Image Shift allows you to modify the location of the image on the page. You can shift the printed image along the X and Y axes of each sheet of paper.	▪				
	Auto Background Suppression Use the Auto Background Suppression setting to reduce the sensitivity of the printer to variations in light background colors.	▪	▪		▪	▪
	Edge Erase You can erase content from the edges of your images using the Edge Erase feature. You can specify the amount to erase on the right, left, top, and bottom edges.	▪	▪		▪	
	Original Size To ensure that you are scanning the correct area of the documents, specify the original size.	▪	▪	▪	▪	
	Book Copying You can use the Book Copying feature to copy books, magazines, or other bound documents.	▪				

Feature	Description	Copy	Email	Fax	Scan To	ID Card Copy
	Front Cover You can print the first page of your copy job on different paper, such as colored or heavyweight paper. The printer selects the special paper from a different tray. The cover can be blank or printed.	▪				
	Annotations You can add Annotations such as page numbers and the date, to your copies.	▪				
	Booklet Creation The Booklet Creation feature prints two pages on each side of the paper. The pages are reordered so that they are in numerical order when folded.	▪				
	Page Layout You can print the selected number of pages on one side of a sheet of paper. Selecting multiple pages per sheet saves paper and provides a way to review the layout of a document.	▪				
	Sample Copy Sample Copy allows you to print a test copy of a job to inspect before printing multiple copies. This feature is useful for complex or high-volume jobs. After you print and inspect the test copy, you can choose to print or cancel the remaining copies.	▪				
	Quantity Use this option to enter the number of required ID card copies.					▪
	Preview Use this option to view a sample image.		▪	▪	▪	
	Resolution Resolution determines how fine or grainy graphic images appear. Image resolution is measured in dots per inch (dpi).		▪	▪	▪	
	Contrast You can use the Contrast feature to adjust the variation between light and dark areas of the image.		▪		▪	
	Remove Blank Pages Remove Blank Pages configures the printer to ignore blank pages.		▪	▪	▪	

Feature	Description	Copy	Email	Fax	Scan To	ID Card Copy
	Book Scanning You can use the Book Scanning feature to scan books, magazines, or other bound documents.		▪		▪	
	Subject Use the Subject option to add a title or heading to an email.		▪		▪	
	From Use the From option to specify the originator of the email.		▪		▪	
	Reply To Use the Reply To option to include an email address that you want the recipient to reply to. This option is useful if you want the recipient to reply to your email address rather than to the device. <i>Note:</i> The system administrator can preset this option.		▪		▪	
	Message Use Message to enter information to accompany the email.		▪		▪	
	File Format Use the File Format option to specify the format of the saved image or to define a searchable image. You can add a password to protect the image or choose to combine multiple images into a single file.		▪		▪	
	File Already Exists Use the File Already Exists option to define what action the device takes when the file name is used already.				▪	
	File Name Use the File Name option to specify a name for the file containing the scanned images.		▪		▪	
	Book Faxing You can use the Book Faxing feature to scan images from books, magazines, or other bound documents for faxing.			▪		
	Starting Rate Select the highest starting rate for transmitting the fax, unless the destination for the fax you are sending has special requirements.			▪		

Feature	Description	Copy	Email	Fax	Scan To	ID Card Copy
	Cover Sheet You can use the Cover Sheet option to add an introduction page to the beginning of your fax. You can add a short comment to the cover sheet, as well as To and From details.			▪		
	Transmission Header Text It is unlawful to send a message from a fax machine without the proper Transmission Header Text. Ensure that the name and telephone number of the sender, and the date and time of the transmission is included on all faxes.			▪		
	Delay Send You can set a time in the future for the printer to send your fax job. You can delay the send of your fax job for up to 24 hours.			▪		
	Priority Send Use Priority Send to identify urgent faxes. Priority faxes are sent first.			▪		
	Manual Send You can use the Manual Send feature to enable the fax modem speaker temporarily. This feature is helpful to dial international numbers, or to use phone systems that require you to wait for a specific audio tone.			▪		
	Polling Polling allows you to retrieve faxes stored on other fax machines.			▪		