

brother

TZe
TAPE

P-touch
ELECTRONIC LABELING SYSTEM

PT-P300BT

User's Guide (English)

PT-P300BT

User's Guide (English)

Thank you for purchasing model PT-P300BT, the P-TOUCH CUBE!

Please read this guide, including all Precautions, before using this machine. After reading this guide, keep it in a safe place.

NOTE

- The information provided in this document is subject to change without notice.
- Unauthorized duplication or reproduction of any or all content of this document is prohibited.
- Although this document has been written with extreme care, if you notice something questionable or incorrect, please contact Brother.
- Please note that we cannot assume any responsibility for any damage or lost profit arising from the use of this label printer or the label created with this label printer or the disappearance or change of data due to failure, repair or consumables using battery, or any claim from a third party.

For FAQs, Troubleshooting, and to download software and manuals, visit support.brother.com

Safety Precautions

⚠ WARNING Indicates a potentially hazardous situation which, if not avoided, could result in death or serious injuries.

Follow these guidelines to avoid the risk of fire, burns, injury, electric shocks, rupture, overheating, abnormal odors or smoke.


- Always use the specified voltage and the AC Adapter (AD-24ESA or AD-24ESAW) for the label printer to prevent any damage or failure.
- Do not touch the label printer during a lightning storm.
- Do not use the label printer or AC Adapter in places of high humidity such as bathrooms.
- Do not overload the power cord.
- Do not place heavy objects on, or damage the label printer, power cord or plug. Do not forcibly bend or pull the power cord. Always hold the AC Adapter when disconnecting from the power outlet.
- Make sure that the plug is fully inserted in the power outlet. Do not use an outlet that is loose.
- Do not allow the label printer, AC Adapter, power plug, or batteries to get wet, for example, by handling them with wet hands or spilling beverages on them.
- Do not disassemble or modify the label printer, AC Adapter, or batteries.
- Do not allow a metal object to contact both the plus and minus ends of a battery.
- Do not use sharp objects, such as tweezers or a metallic pen, to change the batteries.
- Do not throw the batteries into fire or expose to heat.
- Disconnect the AC Adapter, remove batteries immediately and stop using the label printer if you notice abnormal odor, heat, discoloration, deformation or anything unusual while using or storing it.
- Do not use a damaged or leaking battery as the fluid.
- Do not use a deformed or leaking battery or one whose label is damaged. There is a possibility of damaging the label printer.
- Since loss of eyesight may result if leaked fluid from batteries gets into your eyes, immediately rinse your eyes with a large amount of clean water, and then seek medical attention.

⚠ CAUTION Indicates a potentially hazardous situation which, if not avoided, may result in minor or moderate injuries.

Follow these guidelines to avoid personal injury, liquid leakage, burns, or heat.

- When the label printer is not being used, store it out of the reach of children. In addition, do not allow children to put any label printer parts or labels in their mouths. If any object has been swallowed, seek medical attention.
- Do not touch metal parts around the Print Head immediately after printing.
- Do not touch the cutter blade.
- If leaked fluid from batteries gets on your skin or clothes, immediately rinse them with clean water.
- Remove the batteries and disconnect the AC Adapter if you do not intend to use the label printer.
- Do not use any batteries other than those specified. Do not use combinations of old and new batteries or combinations of different types, different charging levels, different manufacturers, or different models. Do not insert a battery with its plus and minus ends reversed.
- Do not drop or hit the label printer or AC Adapter.
- Do not put your finger inside the label printer when you close the Cassette Cover and the Battery Cover.
- Before using Ni-MH rechargeable batteries, carefully read the instructions for the batteries and battery charger, and be sure to use them correctly.
- When using Ni-MH rechargeable batteries, charge the batteries with a specialized battery charger before using the batteries.
- Do not put your finger inside the Tape Exit Slot. You could be injured by the cutter blade.
- Make sure that use only 6×AAA Alkaline Batteries or chargeable 6×AAA Ni-MH batteries.

General Precautions

- Depending on the location, material, and environmental conditions, the label may unpeel or become irremovable, the color of the label may change or be transferred to other objects. Before applying the label, check the environmental conditions and the material.
- Do not use the label printer in any way or for any purpose not described in this guide. Doing so may result in accidents or damage to the label printer.
- Use only Brother TZ[®] Tape Cassettes with the label printer. Do not use tapes that do not have the  mark.
- Only use a soft, dry cloth to clean the label printer; never use alcohol or other organic solvents.
- Use a soft wipe to clean the Print Head; never touch the Print Head with your fingers.
- Do not put any foreign objects into the Tape Exit Slot, the AC Adapter connector or battery compartment, etc.
- Do not place the label printer, AC Adapter, or batteries in direct sunlight or rain, near heaters or other hot appliances, in any location exposed to extremely high or low temperatures (e.g., on the dashboard or in the back of your car), high humidity, or in dusty locations.
- Do not try to print if the cassette is empty; it will damage the Print Head.
- Do not pull the tape while printing or feeding; it will damage the tape and the label printer.
- The label printer is not equipped with a charging feature for rechargeable batteries.
- The length of the printed label may differ from the displayed label length on the smartphone or tablet.
- When printing multiple copies of a label, the label printer will not detect the end of the tape cassette and will continue operating.
- Printed characters may look different than previewed on your device, as your device's screen may have a higher resolution than the label printer.
- Printed small text may not be as clear as it is displayed on your device.
- White and Gold text may not print clearly if you use thin characters.

Trademarks and Copyrights

BROTHER is either a trademark or a registered trademark of Brother Industries, Ltd.

P-TOUCH is a trademark or registered trademark of Brother Industries, Ltd.

© 2016 Brother Industries, Ltd. All rights reserved.

Google Play is a registered trademark of Google Inc.

Android is registered trademarks of Google Inc.

Apple, Macintosh, Mac OS, iPhone, iPad and iPod are trademarks of Apple Inc., registered in the United States and other countries.

The names of other software or products used in this document are trademarks or registered trademarks of the respective companies that developed them.

The Bluetooth word mark and logos are owned by the Bluetooth SIG, Inc. and any use of such marks by Brother Industries, Ltd. under license.

Each company whose software title is mentioned in this manual has a Software License Agreement specific to its proprietary programs.

Any trade names and product names of companies appearing on Brother products, related documents and any other materials are all trademarks or registered trademarks of those respective companies.

Federal Communications Commission (FCC) Declaration of Conformity (For USA Only)

Responsible Party: Brother International Corporation
200 Crossing Boulevard
Bridgewater, NJ 08807-0911, U.S.A.
TEL : (908) 704-1700

Product Name : Brother Label Printer Electronic Labeling System
Model Number : PT-P300BT

Label printer complies with Part 15 of the FCC Rules. Operation is subject to the following two conditions: (1) Label printer may not cause harmful interference, and (2) label printer must accept any interference received, including interference that may cause undesired operation.

Label printer has been tested and found to comply with the limits for a Class B digital device, pursuant to Part 15 of the FCC Rules. These limits are designed to provide reasonable protection against harmful interference in a residential installation. Label printer generates, uses and can radiate radio frequency energy and, if not installed and used in accordance with the instructions, may cause harmful interference to radio communications. However, there is no guarantee that interference will not occur in a particular installation. If label printer does cause harmful interference to radio or television reception, which can be determined by turning the label printer off and on, the user is encouraged to try to correct the interference by one or more of the following measures:

- Reorient or relocate the receiving antenna.
- Increase the separation between the label printer and receiver.
- Connect the label printer into an outlet on a circuit different from that to which the receiver is connected.
- Consult the dealer or an experienced radio/TV technician for help.
- This transmitter must not be co-located or operated in conjunction with any other antenna or transmitter.

Important

- The enclosed interface cable should be used in order to ensure compliance with the limits for a Class B digital device.
- Changes or modifications not expressly approved by Brother Industries, Ltd. could void the user's authority to operate the label printer.

CAUTION: To maintain compliance with FCC's RF exposure guidelines, use only the supplied antenna. Unauthorized antenna, modification, or attachments could damage the transmitter and may violate FCC regulations.

This label printer complies with FCC/IC radiation exposure limits set forth for an uncontrolled environment and meets the FCC radio frequency (RF) Exposure Guidelines and RSS-102 of the IC radio frequency (RF) Exposure rules. This label printer has very low levels of RF energy that are deemed to comply without testing of specific absorption rate (SAR).

Performing Routine Maintenance

NOTE

Before performing any maintenance, power off the label printer. If you use batteries, remove the batteries and if you use AC Adapter, unplug the AC Adapter.

► Cleaning the label printer case

Wipe the case with a soft, dry cloth to remove dirt or dust. If the case is heavily soiled, wipe it with a cloth dampened with some water.

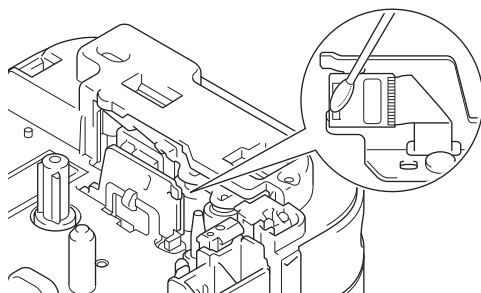
NOTE

Do not use solvents or agents such as benzene, paint thinner, or alcohol, which may damage the label printer's surface.

► Cleaning the Print Head

Dirt on the Print Head may cause blank lines, faint type, or missing characters.

Use an optional dedicated head cleaning cassette (TZe-CL3) or use a cotton swab to gently wipe dirt from the Print Head.



⚠ WARNING

DO NOT TOUCH the Print Head. It is very hot and you may get burned.

International ENERGY STAR® Qualification Statement

The purpose of the International ENERGY STAR® Program is to promote the development and popularization of energy-efficient equipment.

As an ENERGY STAR® Partner, Brother Industries, Ltd. has determined that this product meets the ENERGY STAR® specifications for energy efficiency.



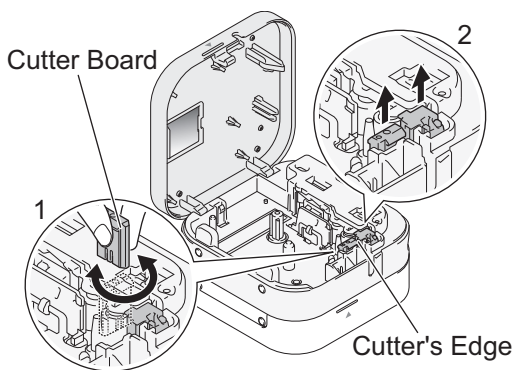
Accessories

If the cutter blade becomes blunt after repetitive use and the tape cannot be cut cleanly, rotate and reset the Cutter Board as shown in the illustration (1).

If you still have difficulties, replace the Cutter Unit with a new one (item number: TC4) from an authorized Brother reseller or online at Brothermall.com.

► Replacing the Cutter Unit

1. Pull out the two sections of the Cutter Unit (green) in the direction of the arrows shown in the illustration (1).
2. Install the new Cutter Unit. Unit by pressing the two new pieces down until they lock into place.



Specifications

Dimensions (W × D × H)	Approximately 4.5" (W) × 2.4" (D) × 4.5" (H) (115 mm (W) × 61 mm (D) × 115 mm (H))
Weight	Approximately 0.8 lb (380 g) (without batteries and Tape Cassette)
Power Supply	AC Adapter (AD-24ESA or AD-24ESAW) 6×AAA Alkaline Batteries (LR03) Chargeable 6×AAA Ni-MH batteries (HR03)*
Interface	Bluetooth Ver 2.1 + EDR Class2
Tape Cassette	Brother TZe Tape Cassette Compatible widths: 3.5 mm, 6 mm, 9 mm, 12 mm

* Visit us at support.brother.com/ for the latest battery recommendations.

Important Information

If you have questions or need information about your Brother product, please visit us online or call.

For FAQs, Troubleshooting, and to download software and manuals, visit support.brother.com.

To order supplies and accessories, visit www.brothermall.com or call 1-877-552-6255, or visit your local authorized Brother reseller.

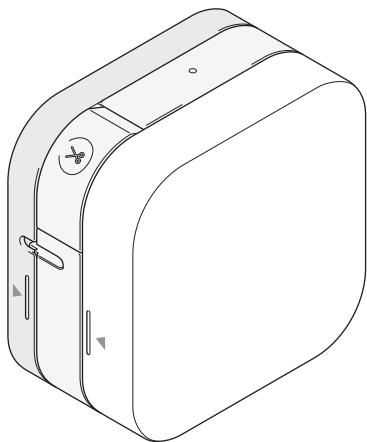
For USA Customer Service, call 1-877-BROTHER (1-877-276-8437).

Fax: 1-901-379-1210

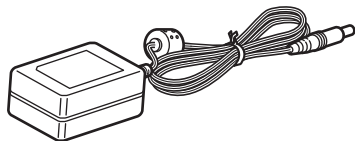
Unpacking the PT-P300BT

Check that the package contains the following before using the label printer. If any item is missing or damaged, contact your Brother reseller.

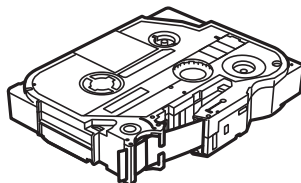
PT-P300BT



AC Adapter (AD-24ESAW)



Starter Tape Cassette





PT-P300BT

User's Guide (English)

Introduction

Download the P-touch app to your
smartphone or tablet

iPad/iPhone/iPod touch

Go to the App Store, search for [**P-touch Design&Print**], and download.

Android

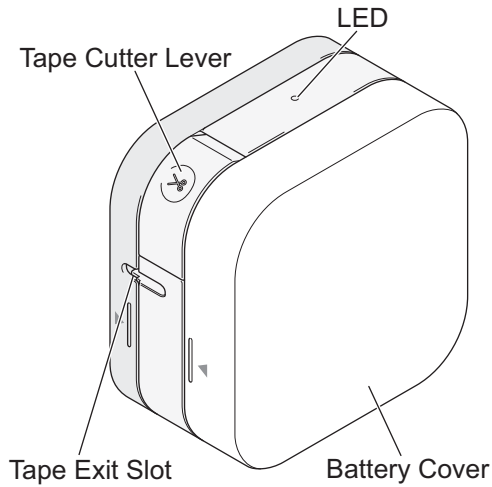
Go to Google Play™, search for [**P-touch Design&Print**], and download.

* You are responsible for any connection fees.

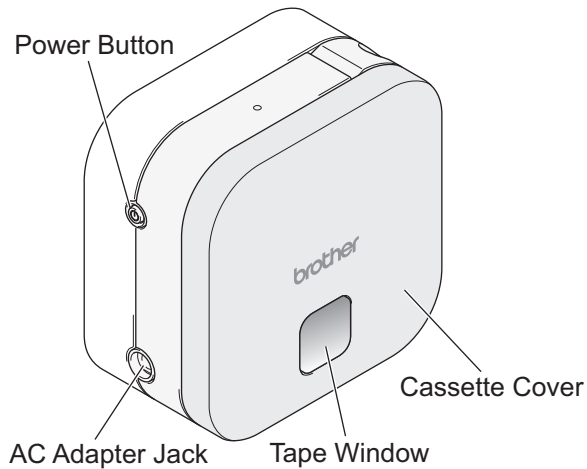
**P-touch Design&Print**

1. Parts and Components

►Front



►Rear



►Feeding Tape

Power on the label printer and press the Power Button twice quickly to automatically feed the tape.

►Cutting Tape

When your label finishes printing, press the Tape Cutter Lever to cut the tape.

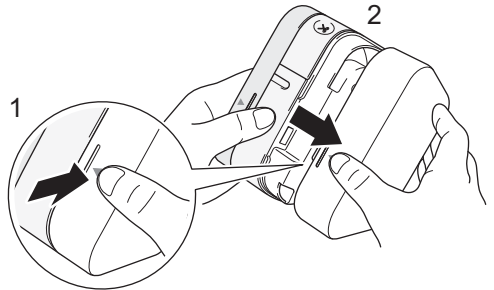
2. Installing Batteries or Connecting the AC Adapter

⚠ CAUTION

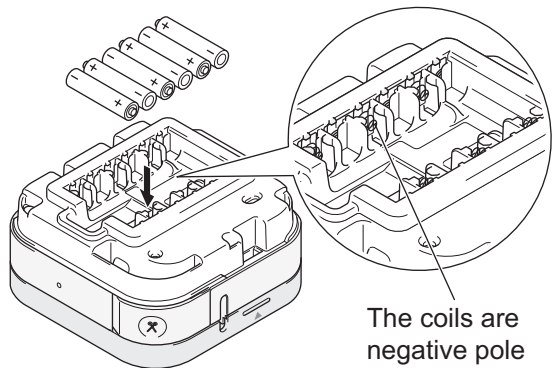
ALWAYS USE THE SPECIFIED VOLTAGE AND THE AC ADAPTER (AD-24ESA OR AD-24ESAW) FOR THE LABEL PRINTER TO PREVENT ANY DAMAGE OR FAILURE.

This label printer requires six (6) AAA alkaline batteries or six (6) fully-charged AAA Ni-MH batteries, not included. As an alternative, use the AC Adapter included with this machine and plug the label printer into an AC outlet.

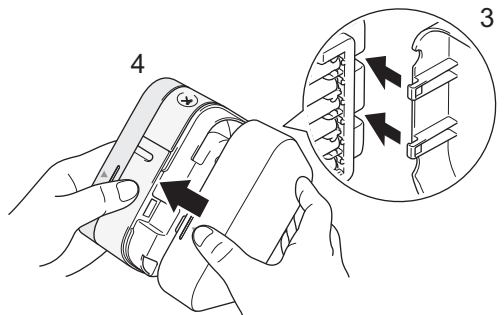
1. Hold the label printer as shown in the illustration. Open the Battery Cover by pressing the mark on its side (1) and pulling in the direction of the arrow (2).



2. Insert six batteries following the drawing marked inside the case. Alternate positive and negative poles, making sure to match the negative battery end with the coil in the battery slot.



3. Insert the two hooks at the rear of the Battery Cover into the slots on the label printer (3). Push the Battery Cover closed (4), making sure it locks into place.



2. Installing Batteries or Connecting the AC Adapter (cont)

⚠ CAUTION

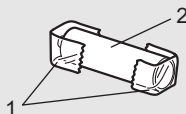
USING A COMBINATION OF DIFFERENT BATTERIES (SUCH AS ALKALINE WITH Ni-MH) MAY RESULT IN AN EXPLOSION. DISPOSE OF USED BATTERIES ACCORDING TO THE INSTRUCTIONS.

⚠ CAUTION

- Remove the batteries if you do not intend to use the label printer for an extended period of time.
- Dispose of batteries at an appropriate collection point, not in the general waste stream. Be sure to observe all applicable federal, state, and local regulations.
- When storing or discarding a battery, wrap it with cellophane tape to prevent it from short-circuiting (see illustration).

1. Cellophane tape

2. Alkaline or Ni-MH battery



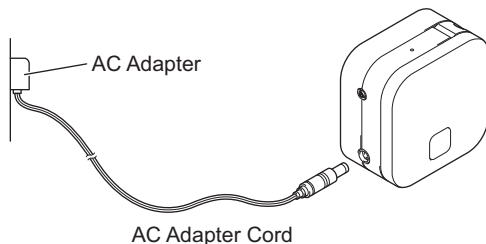
● NOTE

Do not set together old and new batteries. Replace all six batteries at the same time.

► Connecting the AC Adapter

If you use the included AC Adapter:

1. Insert the AC Adapter Cord into the AC Adapter Jack on the side of the machine.
2. Insert the AC Adapter into an AC electrical outlet.



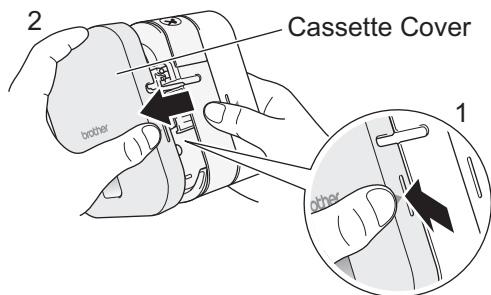
3. Inserting the Tape Cassette

Make sure your Tape Cassettes display the TZe mark ()

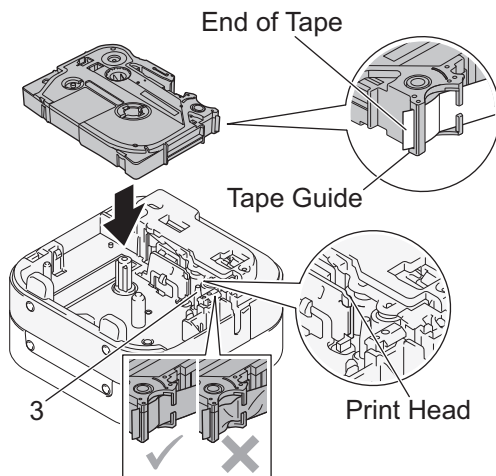
Use only tape widths of 3.5 mm, 6 mm, 9 mm, or 12 mm.

If there is a stopper on the TZe Tape Cassette, remove it before installation.

1. Hold the label printer as shown in the illustration. Open the Cassette Cover by pressing the mark on its side (1) and pulling in the direction of the arrow (2).



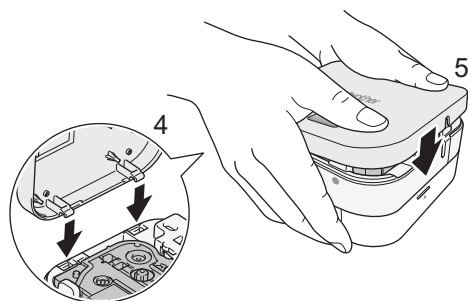
2. Insert the Tape Cassette following the drawing marked inside the case. Confirm that the tape is aimed at the green Tape Outlet and gently press the Tape Cassette into the label printer until it locks into place.



NOTE

- Make sure that there is no slack in the tape. To fix any slack, pull the end of the tape out of the Tape Guide.
- When inserting or removing the Tape Cassette, make sure that the tape does not catch on the silver pin (3) or the Print Head.

3. Insert the two hooks at the rear of the Cassette Cover into the slots on the label printer (4). Push the Cassette Cover closed (5), making sure it locks into place.



4. Turning the Label Printer On or Off

Press the Power Button to power on. Hold the Power Button for 0.5 seconds to power off.

5. LED Indications

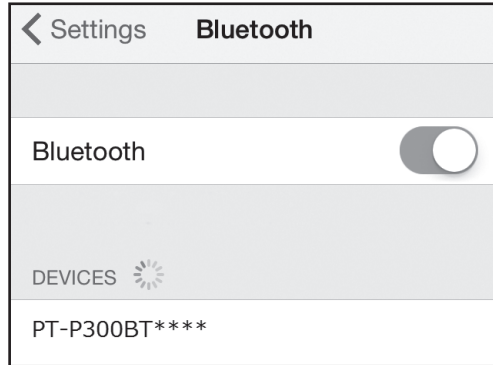
The label printer's LED indicates the label printer's status.

LED	Condition
Lighting a light to green	Label printer is connected via Bluetooth or the tape is feeding.
Flashing a light to green	If a green light is on for 3 seconds, then off for 1 second, the label printer is powered on and ready.
Flashing a light to green	If a green light flashes on and off at 0.5 second intervals, the unit is receiving data from your smartphone or tablet.
Lighting a light to red	The label printer is booting.
Flashing a light to red	If a red light flashes on and off at 1 second intervals, one of the following has occurred: <ul style="list-style-type: none">• No Tape Cassette installed• Incorrect Tape Cassette installed• Incompatible Tape Cassette installed• Transmission error (see "7. Troubleshooting")• Cutter error• Incompatible AC Adapter used (see "7. Troubleshooting")
Flashing a light to red	If a red light flashes on and off at 0.5 second intervals, there is a system error (see " 7. Troubleshooting ").
Flashing a light to orange	If an orange light flashes on and off at 1 second intervals, the batteries are almost out of power.

6. Pairing the Label Printer with Your Smartphone or Tablet

► On your smartphone or tablet:

1. In Settings, access the Bluetooth option, and turn it ON.
2. When the list of discovered Bluetooth devices appears, tap PT-P300BT**** (where **** is the last four digits of your label printer's serial number. Alternatively, you can find your machine number on the sticker below the Power Button). The unit's serial number is located where the TZe Tape Cassette is set inside the Cassette Cover.



3. If asked to enter a PIN Code, enter "0000".

● NOTE

- Pairing instructions may differ slightly, depending on the smartphone or tablet you are using.
- If the label printer is not discovered by your smartphone or tablet, the label printer may already be connected to another device. If so, locate the smartphone or tablet that is paired with the label printer, turn off Bluetooth on that device, and then power off the label printer and power it back on.
- If the label printer is moved too far from your smartphone or tablet, it may disconnect. If this happens, repeat these steps near the label printer to pair them again.
- If using a Smart Cover on your tablet, ensure that the cover remains open while you are creating or printing labels. Closing the Smart Cover may interrupt data communication, and your labels will not print.

7. Troubleshooting

Problem	Solution
I cannot turn on the label printer.	Check to see that the batteries are installed correctly, or that the included AC Adapter is securely connected.
A horizontal space runs through the middle of the printed label.	Streaks or poor quality characters on printed labels generally indicate that the Print Head is dirty. See the section " Performing Routine Maintenance " for instructions on cleaning the Print Head. * Do not touch the Print Head with your bare hands.

7. Troubleshooting (cont)

Problem	Solution
The label is difficult to cut.	<ul style="list-style-type: none"> • Rotate and reset the Cutter Board. (see "Accessories") • If the issue persists, replace the Cutter Unit. Visit www.brothermall.com and type TC4 in the Search field. * Do not touch the cutter blade with your bare hands.
The label printer does not print, or the printed characters are not formed correctly.	<ul style="list-style-type: none"> • Check that the Tape Cassette has been inserted correctly. • If the Tape Cassette is empty, replace it. • Check the Cassette Cover is securely closed.
The label printer powers off when I try to print.	<ul style="list-style-type: none"> • The batteries may be weak. Replace them. • Check that the batteries are correctly inserted. (see "2. Installing Batteries or Connecting the AC Adapter") • You are using an incompatible adapter. Use only the recommended adapter (see Specifications).
The tape does not feed correctly, or the tape gets stuck inside the label printer.	<ul style="list-style-type: none"> • Check that the end of the tape feeds under the tape guides. • You may have tried to use the Cutter while printing. Do not try to cut a label while it is printing.
I cannot print from my smartphone or tablet.	Check that the label printer and your smartphone or tablet are connected via Bluetooth. See " 6. Pairing the Label Printer with your Smartphone or Tablet ".
System error	Please contact Brother Customer Service.
Booting	<p>In the event that Booting occurs due to the failure of transferring the program, the system will recover if the program is transferred again. Follow operating procedures of the application.</p> <p>To resolve the issue, contact your Brother dealer or Brother customer service for assistance.</p>
Transmission error	Data transfer from your mobile device to the PT-P300BT was interrupted. Turn the PT-P300BT off, then on again, and try sending the label from your mobile device to the PT-P300BT again.
High pressure error	An incompatible AC Adapter is plugged into the PT-P300BT and voltage is too high. Use ONLY the recommended adapter (see Specifications).