

## Installation Guide SMT 2200/3000 VA Optional Replacement PDU

### Safety



Adhere to all national and local electrical codes. A certified electrician must perform all electrical connections.

1. Disconnect equipment connected to the UPS.
2. Press the OFF button located on the front of the UPS.
3. Disconnect the batteries in the UPS.
4. Disconnect the UPS from utility power.

### Installation

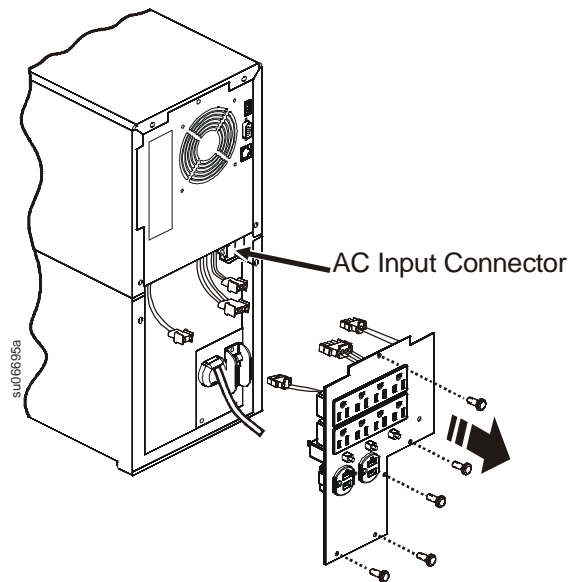


**Note:** The illustrations in this manual may differ slightly in appearance from the actual hardware.

Remove the five screws that secure the factory installed PDU panel to the UPS. Save the screws.

Disconnect the PDU output cables as shown in the diagrams.

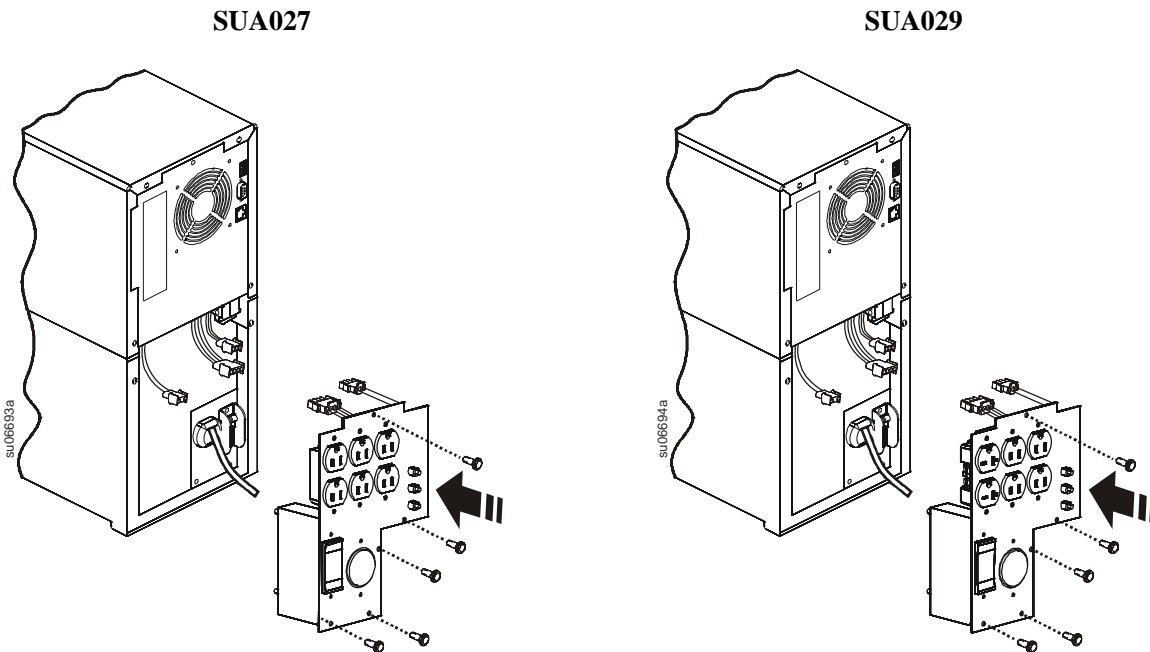
Do not disconnect the AC input connector.



Locate and snap together the corresponding connectors on the UPS and the replacement PDU panel.

**Note: The two pin connector will not be utilized with the replacement PDU panel.**

Secure the replacement PDU panel to the UPS with the screws removed from the factory installed PDU panel.



## APC Worldwide Customer Support

Customer support for this or any other APC product is available at no charge in any of the following ways:

- Visit the APC Web site to access documents in the APC Knowledge Base and to submit customer support requests.
  - **www.apc.com** (Corporate Headquarters)  
Connect to localized APC Web sites for specific countries, each of which provides customer support information.
  - **www.apc.com/support/**  
Global support searching APC Knowledge Base and using e-support.
- Contact the APC Customer Support Center by telephone or e-mail.
  - Local, country-specific centers: go to **www.apc.com/support/contact** for contact information.

For information on how to obtain local customer support, contact the APC representative or other distributors from whom you purchased your APC product.

Customer support and warranty information is available at the APC Web site, **www.apc.com**.

© 2012 APC by Schneider Electric. APC, and the APC logo are owned by Schneider Electric Industries S.A.S., American Power Conversion Corporation, or their affiliated companies. All other trademarks are property of their respective owners.

990-3934  
1/2012