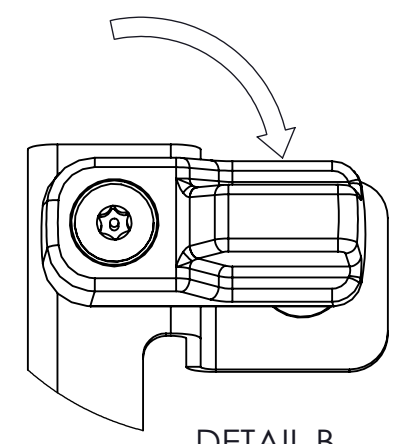


DETAIL A
(OPEN)
SCALE 1 : 1



DETAIL B
(CLOSED)
SCALE 1 : 1

INSTALLATION INSTRUCTIONS:

NOTE:
- Docking station depicted may not match identically to product purchased. However, all installation instructions are still applicable unless otherwise noted.

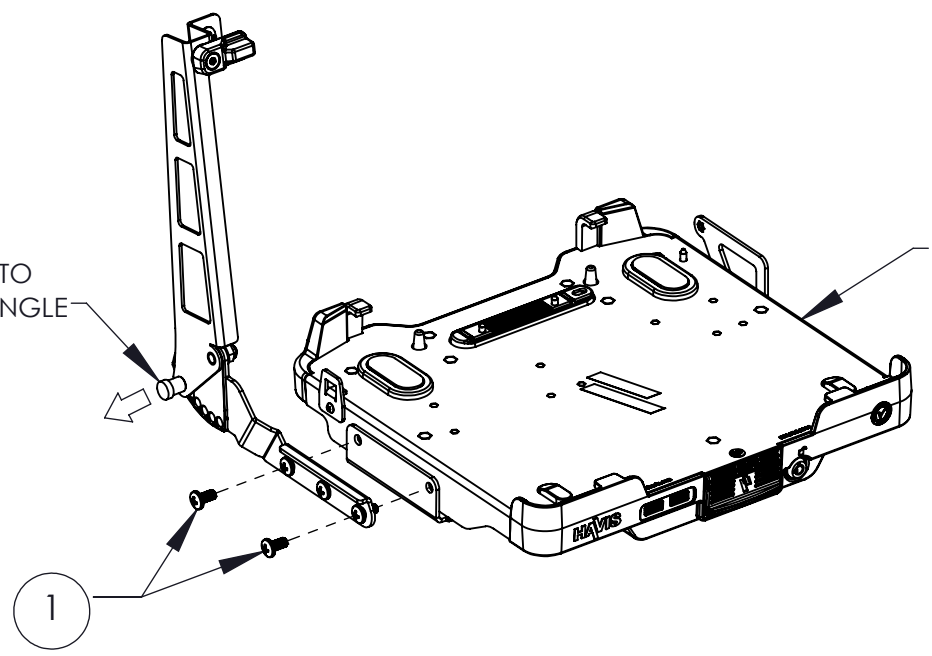
1. TO INSTALL SCREEN SUPPORT, FIRST REMOVE THE SCREWS THAT FASTEN THE LH SIDE OF THE MOUNTING BRACKET TO THE DS-PAN-1100 DOCKING STATION.
2. INSTALL 2X 1/4" - 20 x 1/2" PHMS THROUGH THE LOWER SCREEN SUPPORT BRACKET, THEN THROUGH THE MOUNTING BRACKET AND INTO DOCK. TORQUE FASTENERS TO 80 IN-LBS ±10%.

NOTE:
- When a pre-applied thread-locking patch is not present on hardware, it is recommended to apply a drop of medium strength (blue) thread locking adhesive to the threads of the hardware prior to assembly.

3. DOCK COMPUTER IN DOCKING STATION.
4. OPEN DISPLAY LATCH (DETAIL A).
5. OPEN SCREEN TO MEET THE STOP BUMPER.
6. PRESS SLIGHTLY ON TOP-LEFT CORNER OF SCREEN WHILE CLOSING LATCH OF SCREEN SUPPORT OVER SIDE OF SCREEN HOUSING (DETAIL B).
7. WHILE PULLING ON KNOB OF ADJUSTMENT PIN, ADJUST ARM OF SCREEN SUPPORT WITH SCREEN TO DESIRED SETTING.

NOTE:
- The screen support latch should be in the OPEN position when the laptop screen is closed (DETAIL A).

ADJUSTMENT PIN: PULL OUT TO ADJUST DISPLAY VIEWING ANGLE



DS-PAN-1100 SERIES DOCKING STATION (NOT INCLUDED)

HARDWARE KIT CONTENTS

ITEM #	DESCRIPTION	QTY.	FINISH	DRIVE STYLE/SIZE
1	MACHINE SCREW, PAN HEAD, 1/4"-20 x 1/2" LONG	3	WITH PATCH	PH3

WARNING: ALL HAVIS INC. PRODUCTS ARE DESIGNED WITH SAFETY OF USE AND INSTALLATION IN MIND. HOWEVER, IT IS THE SOLE RESPONSIBILITY OF THE OWNER/OPERATOR OF A VEHICLE USING HAVIS INC. MOUNTING AND DOCKING EQUIPMENT, TO INSURE THAT THE EQUIPMENT IS INSTALLED SO THAT IT WILL NOT INTERFERE WITH VEHICLE OPERATION, INTERFERE WITH SAFETY DEVICES, OBSTRUCT VIEW OF DRIVING CONDITIONS, OR IN ANY WAY DEGRADE OCCUPANT SAFETY. IMPROPER INSTALLATION CAN CAUSE SERIOUS INJURY IN THE EVENT OF AN ACCIDENT. INSTALLATION SHOULD ONLY BE PERFORMED BY QUALIFIED PROFESSIONALS. COMPUTERS AND MOTION DEVICES MUST BE MOVED TO AND STOWED/SECURED IN THEIR SAFE DRIVING POSITIONS BEFORE OPERATING VEHICLE.

PRODUCT DESCRIPTION
THIS PRODUCT SUPPLIES SUPPORT FOR THE SCREEN OF THE COMPUTER WHEN DOCKED.

**DRAWING NUMBER:
DS-DA-420_INST_9-17**

PRODUCT I.D. DS-DA-420	DATE 09/18/17
PRODUCT NAME SCREEN SUPPORT DS-PAN-1100 SERIES	
HAVIS	
1-800-524-9900 WWW.HAVIS.COM	
WEIGHT: (LBS)	
REV. DATE	