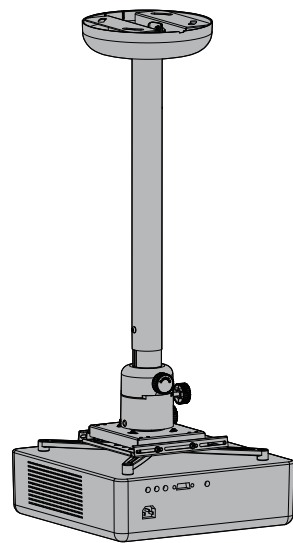




**PJ-WMK-007**  
Quick Start Guide



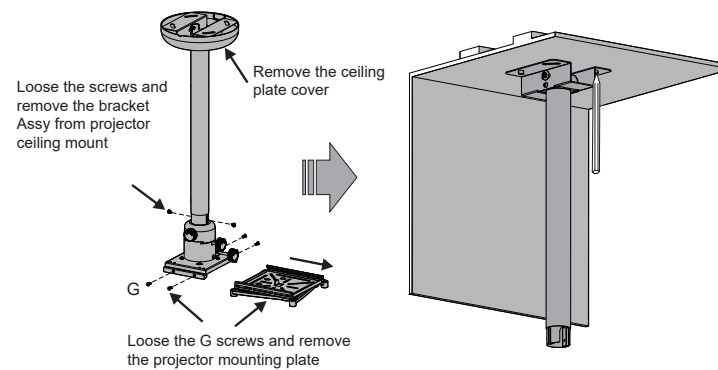
**Checking The Supplied Accessories**

| NO | diagrammatic presentation | designation       | quantity |
|----|---------------------------|-------------------|----------|
| A  |                           | Screw (M6X55)     | 5        |
| B  |                           | Φ10mm Anchor bolt | 5        |
| C  |                           | Allen key         | 1        |
| D  |                           | Screw (M4X8)      | 4        |
| E  |                           | Screw (M5X12)     | 4        |
| F  |                           | M5 nuts           | 4        |
| G  |                           | Screw (M4X10)     | 4        |

Setting Plate x 1  
Projector Mounting Plate x 1  
Ceiling Plate Cover x 1  
Mounting Arm x 4

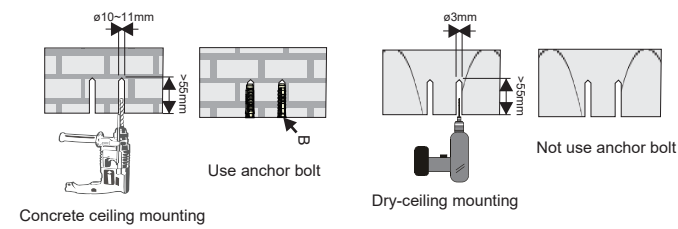
\* Screw G has been locked on the mount.

**To Set The Projector Ceiling Mount On The Wall**

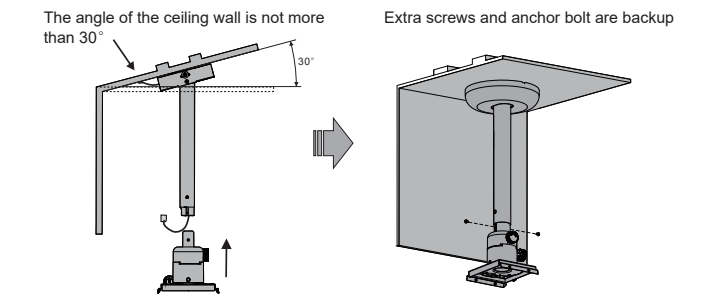


**To Set The Projector Ceiling Mount On The Wall**

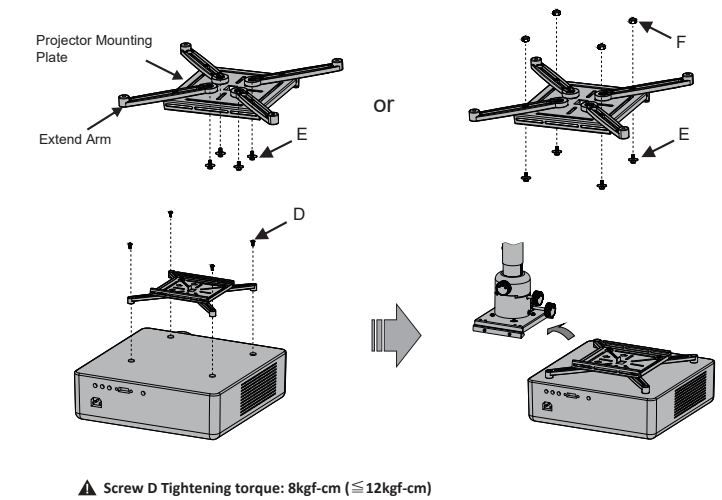
- Concrete ceiling mounting thickness must be a minimum 100mm. Anchor bolt and screw (M6 × 55) are needed to be used for installation.
- Dry-ceiling mounting thickness must be a minimum 70mm. Only screw (M6 × 55) is needed to be used for installation. If the wall is not strong enough, reinforce it sufficiently before installation.
- Please contact reseller if you have any questions about mounting surface issue.



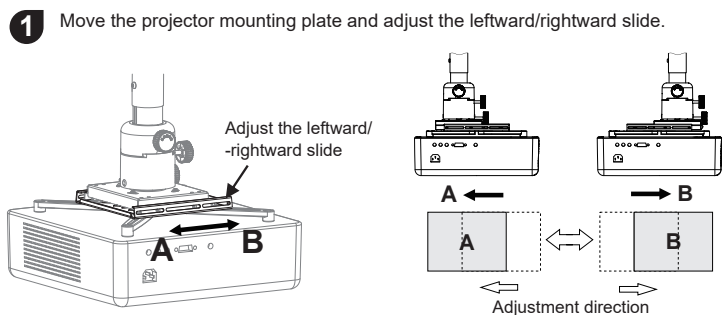
**To Set The Projector Ceiling Mount On The Wall**



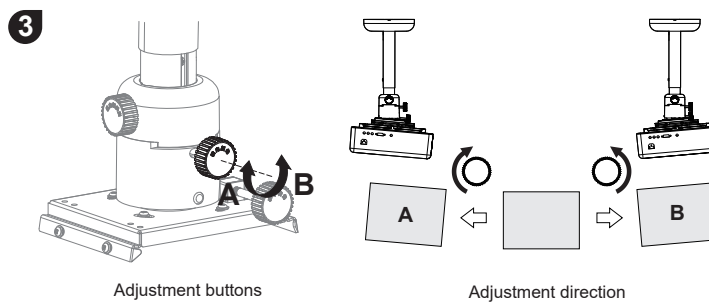
**To Install The Projector On The Projector Ceiling Mount**



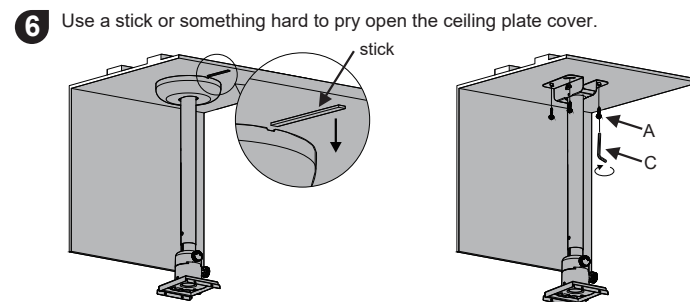
**To Adjust Mounting Position**



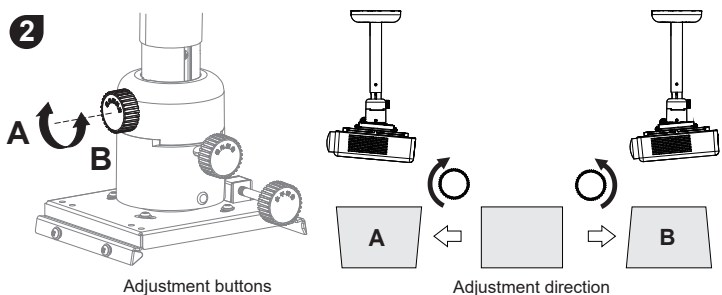
**To Adjust The Horizontal Roll**



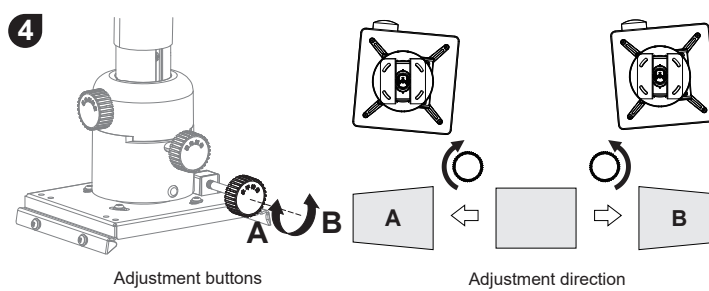
**To Remove The Projector Ceiling Mount**



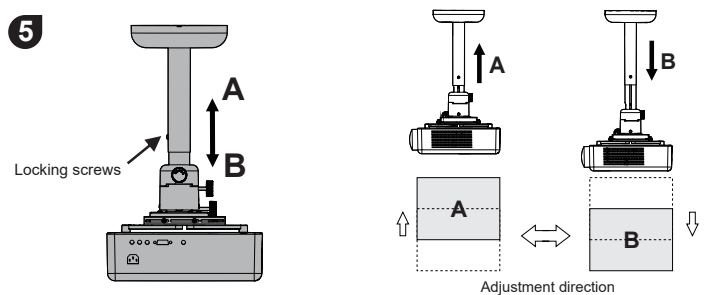
**To Adjust The Vertical Tilt**



**To Adjust The Horizontal Rotation**



**To Adjust The Upward/Downward Slide**



**Product Information**

|                  |   |
|------------------|---|
| Model            | PJ-WMK-007  |
| Product Weight   | 4.6 lb (2.1 Kg)   |
| Max Weight Load  | 55.1 lb (25 Kg)   |
| Adjustable Range | 500mm-780mm(from mounting plate center to the screen)             |
| Adjustable Angle | ± 5° tilt, left/right, front/rear and lateral rotation adjustment |

**Important Safety**

1. Please read this manual carefully and follow all safety rules before installation.
2. For safety reasons, please make sure the wall is strong enough to sustain the weight of the projector & wall mount.
3. The total maximum weight of all items mounted should NEVER exceed the weight capacity: 55 lbs (25kg).
4. DO NOT attempt to alter or modify any part of the wall mount or its attachments.
5. Do not install the projector wall mount on a structure that is prone to vibration, movement or chance of impact.
6. To avoid risk of fire, do not install the projector with the projector wall mount in a humid or excessively dusty place.
7. Use the supplied accessories only. Use of accessories other than those supplied may result in damage to the projector and/or projector wall mount.
8. Unplug the AC power cord and any other connected cables before dismantling the projector from the projector wall mount.
9. Do not hit or hang any heavy objects on the projector wall mount. If the projector wall mount is damaged, stop using immediately and contact a qualified service personnel immediately.
10. Only install the projector wall mount horizontally on the level surfaces.
11. \*The manufacturer is not liable for any damages or injury caused by mishandling or improper installation.
12. The projector or wall mount may fall and cause personal injury. Ensure screws are tightened to the proper torque after installation and any adjustments. Do not overtighten screws as this may cause screw deformation.
13. This wall mount kit ONLY supports ViewSonic® projectors and models that are designated by ViewSonic. Use with non-ViewSonic branded projectors or exceeding the weight capacity is neither supported nor recommended, may cause property damage or personal injury, and shall be at the sole risk of users/installers.

Information icon, Question mark icon, and support URL: <http://www.viewsonic.com/support/>

Wrench icon and contact information for various regions:

- China:** <http://www.viewsonic.com.cn>, 电话: 4008 988 188
- Europe:** <http://www.viewsoniceurope.com>, <http://www.viewsoniceurope.com/uk/support/call-desk/>
- Australia/New Zealand:** <http://www.viewsonic.com.au>, 电话: 1800 880 818 (AUS), 0800 008 822 (NZ)
- South Africa:** <http://ap.viewsonic.com/za/>
- Latin America (Chile):** <http://www.viewsonic.com/la/>, <http://www.viewsonic.com/la/soporte/servicio-tecnico>
- Latin America (Mexico):** <http://ap.viewsonic.com/kr/>, <http://www.viewsonic.com/la/soporte/servicio-tecnico>
- Latin America (Peru):** <http://www.viewsonic.com/la/>, <http://www.viewsonic.com/la/soporte/servicio-tecnico>
- Latin America (Argentina):** <http://www.viewsonic.com/la/>, <http://www.viewsonic.com/la/soporte/servicio-tecnico>
- Puerto Rico & Virgin Islands:** <http://www.viewsonic.com>, 电话: 1-800-688-6688 (English), <http://www.viewsonic.com/la/soporte/servicio-tecnico>
- 香港:** <http://www.hk.viewsonic.com>, 电话: 852 3102 2900
- 澳門:** <http://www.hk.viewsonic.com>, 电话: 853 2840 3687
- 台湾:** <http://www.viewsonic.com.tw>, 电话: 0800 899 880
- 韩国:** <http://www.viewsonic.com/kr/>, 电话: 080 333 2131
- Singapore/Malaysia/Thailand:** <http://www.viewsonic.com.sg>, 电话: 65 6461 6044
- India:** <http://www.in.viewsonic.com>, 电话: 1800-419-0959
- United States:** <http://www.viewsonic.com>, 电话: 1-800-688-6688
- Canada:** <http://www.viewsonic.com>, 电话: 1-866-463-4775