

USER MANUAL

TITLE		Industrial Monitor / Monitor	
MODEL NAME		IDS31-070W	
SERIAL NAME		IDS31-070W540DVA1E	
Signature	Date	Prepared by	Date
_____	_____		
_____	_____		
_____	_____		
Please return 1 copy for our confirmation with your signature and comments			

TABLE OF CONTENTS

NO	ITEM	PAGE
I	Overview	3
II	General Description	4
III	Electrical Specifications	5
1	Electrical Characteristics	
2	Interface Connections	6~9
IV	OSD Function	10
V	Environment Specifications	11
VI	Reliability	
VII	Inspection Standard	12-14
VIII	Accessory	15~20
IX	Mechanical Characteristics	21
X	Packing	22

BSMI 甲類

警告使用者這是甲類資訊產品, 在居住的環境中使用時, 可能會造成射頻干擾, 在這種情況下, 使用者會被要求採取某些適當的對策。

警告 : 使用過度恐傷害視力

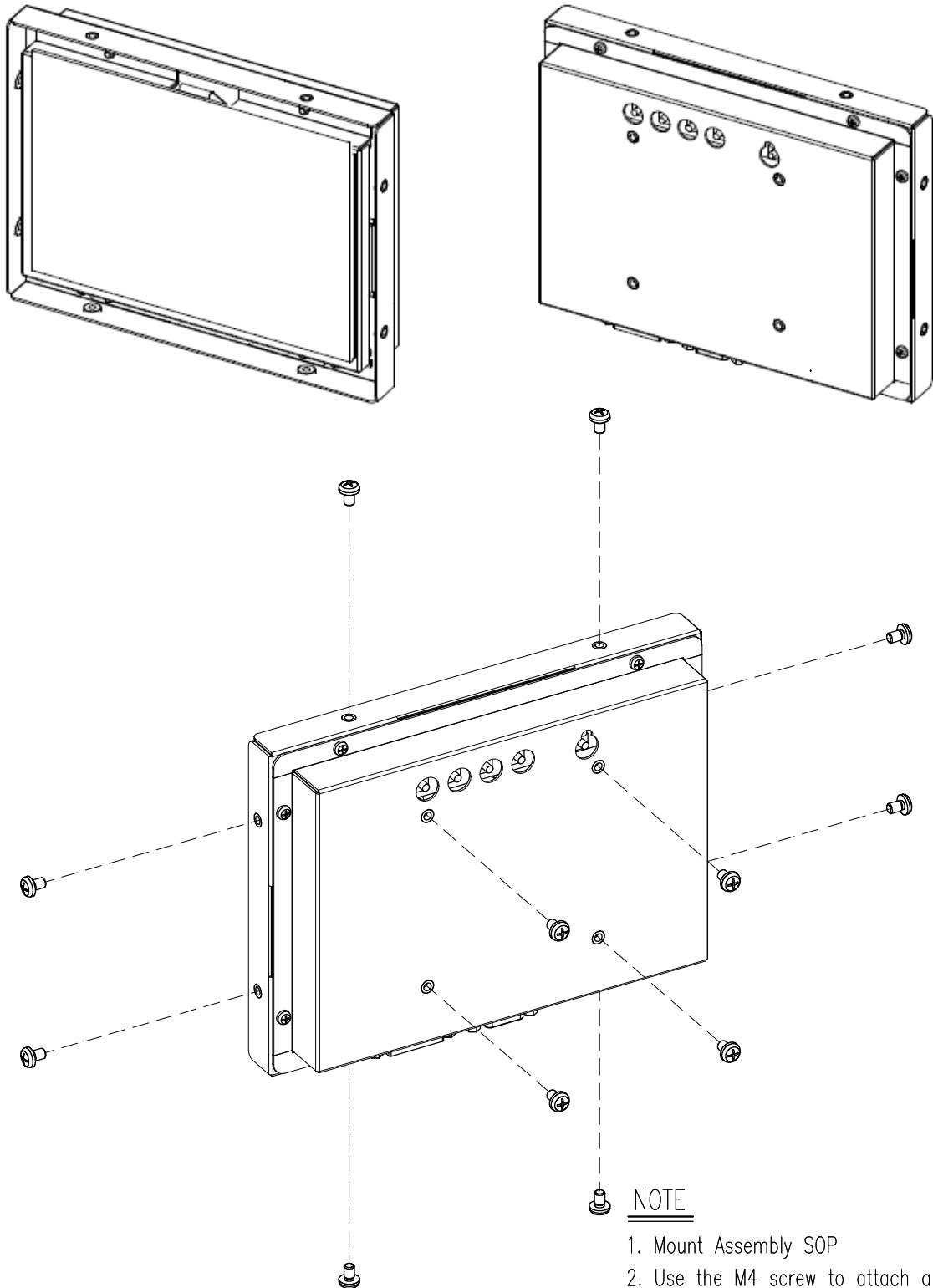
(1) 使用30分鐘請休息10分鐘。

(2) 2歲以下幼兒不看螢幕, 2歲以上每天看螢幕不要超過1小時。

I . OVERVIEW

The IDS31-070W540DVA1E is designed 7.0 inch monitor

- Support the monitor with 800 × 480 resolution.
- Brightness - 400 cd/m² (without Touch)
- Contrast Ratio : 1000:1



II . General Description

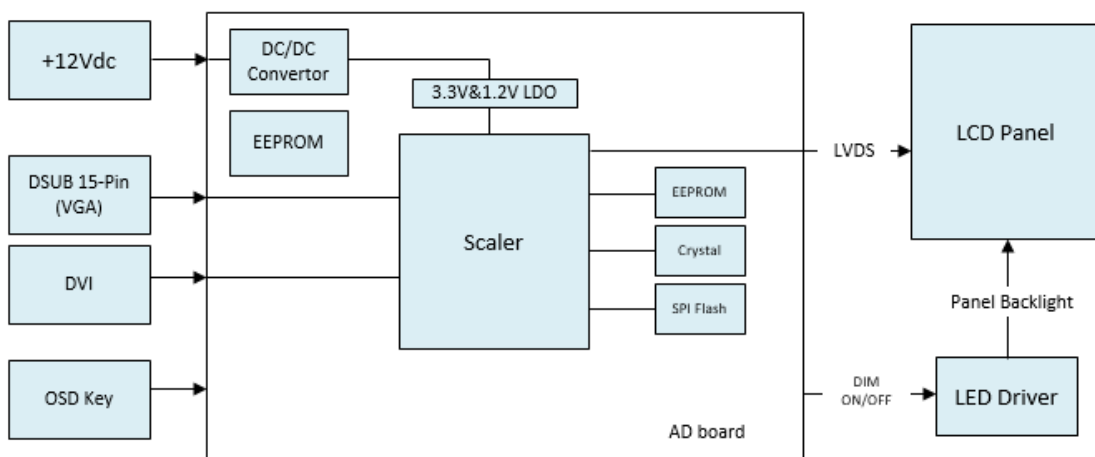
Display Type	TFT LCD Panel (7.0 inch)	
Pixel Pitch	0.1905(H)mm X 0.1905(V)mm	
Pixel Format	800 Hor. By 480 Ver. Pixels RGB vertical stripe	
Display Colors	16.2M colors	
Brightness	400 cd/m ² (Typical)	
Contrast Ratio	1000 : 1 (Typical)	
Response Time	30 ms (T _R + T _F)	
Viewing Angle	Horizontal	160 °
	Vertical	160 °
Life Time	50,000 Hr (Typical)	
Input Signal	Analog RGB, DVI-D	
OSD Controls	Soft Power(On/Off), Menu, Select, Up, Down	
Power Saving (LED Display)	VESA DPMS, On (Green), Stand-By (Green blinking), Suspend (Green blinking), Off	
Dimension	190.0(H) x 142.0(V) x 36.5(D)	
Weight	1.0kg	
Operating Temp.	0 °C ~+50 °C	
Storage Temp.	-20 °C ~ +60 °C	

III. Electrical Specifications

1-1. Electrical Characteristics

Power	DC Input Voltage		12V _{DC} / 3.5A ± 10%	
	Standby power		1.0 W	
	Power consumption		6 W	
Analog	Video Signal	Type	Analog RGB	
		Gain Level	0.714 ± 5%	
		Input impedance	75ohm ± 5%(terminated)	
		Pixel frequency	Max. 165MHz	
		Resolution	Max. 800×480 / 60Hz	
	Input Sync Signal	Type	H/V, Separate only	
		Gain Level	TTL level (High ≥ 2.0V, Low ≤ 0.8V)	
		Polarity	Positive or Negative	
		Maximum Duty	Max. 25%	
		Frequency Range	Horizontal	31.43 ~ 88.8KHz,
		Vertical	56.25 ~ 75.03Hz	
DVI	Differential output		150 ~ 1200 mVp-p	
	Input clock freq		20 ~ 135 MHz	

1-2 Board Block Diagram



2. I/O Port (Interface Connections)

2-1. Analog RGB Pin Assignment

Connector	P/No.	Symbol	Description
VGA Input connector For 15P D-sub	1	Red	Red, analog input
	2	Green	Green, analog input
	3	Blue	Blue, analog input
	4	N.C	Not connected
	5	DGND	Digital ground
	6	Red GND	Ground for Red return
	7	Green GND	Ground for Green return
	8	Blue GND	Ground for Blue return
	9	N.C	Not connected
	10	DGND	Detect connector
	11	N.C	Not connected
	12	DDC Data	DDC Data
	13	H-sync	Horizontal sync, input
	14	V-sync	Vertical sync, input
	15	DDC Clk	DDC Clk

2-2. DVI Jack Pin Assignment

Connector	P/No.	Symbol	Description
DVI	1	RX2N	TMDS Data 2-
	2	RX2P	TMDS Data 2+
	3	GND	TMDS Data 2/4 Shield
	4	NC	TMDS Data 4-
	5	NC	TMDS Data 4+
	6	SCL-DVI-1	DDC Clock
	7	SDA-DVI-1	DDC Data
	8	VSYNC	Analog Vertical Sync
	9	RX1N	TMDS Data 1-
	10	RX1P	TMDS Data 1+
	11	GND	TMDS Data 1/3 Shield
	12	NC	TMDS Data 3-
	13	NC	TMDS Data 3+
	14	+5V Power	DVI+5V
	15	GND	Ground
	16	HPD	Hot Plug Detect
	17	RX0N	TMDS Data 0-
	18	RX0P	TMDS Data 0+

	19	GND	TMDS Data 0/5 Shield
	20	NC	TMDS Data 5-
	21	NC	TMDS Data 5+
	22	GND	TMDS Clock Shield
	23	RXCP	TMDS Clock +
	24	RXCN	TMDS Clock -
	C1	NC	Analog Red
	C2	NC	Analog Green
	C3	NC	Analog Blue
	C4	HSYNC	Analog Horizontal Sync

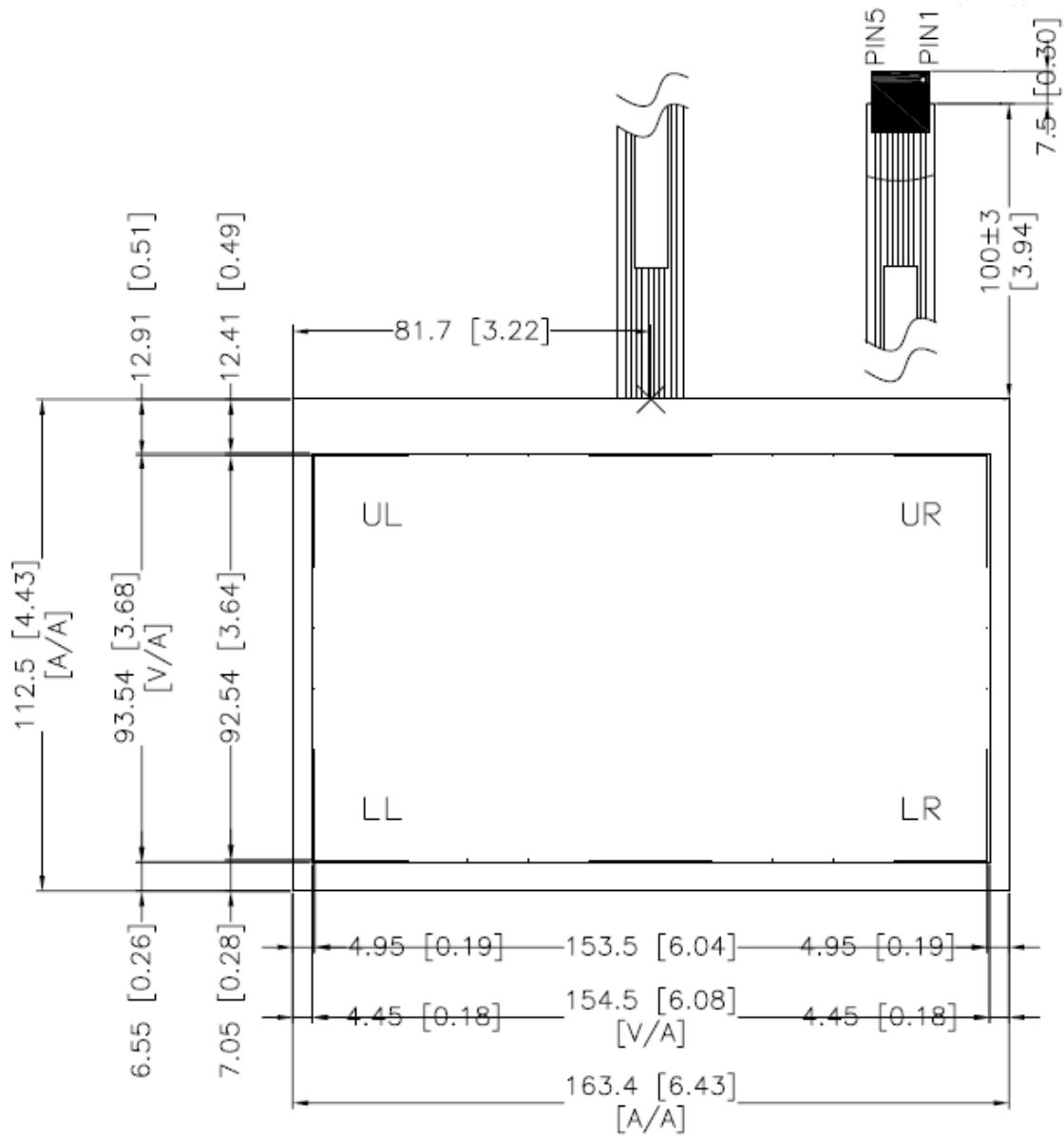
2-3. Input Signal format

Character Mode	Pixel Freq. MHz	Horizontal Timing				Vertical Timing			
		Sync Polar	Freq. KHz	Total Pixel	Active Pixel	Sync Polar	Freq. Hz	Total Line	Active Line
640x480 @60Hz	25.175	-	31.47	800	640	-	59.94	525	480
800x600 @60Hz	40.000	-	37.88	1056	800	-	60.32	628	600

Sync : H/V Separated LVDS

2-4. Touch Glass / Touch Controller

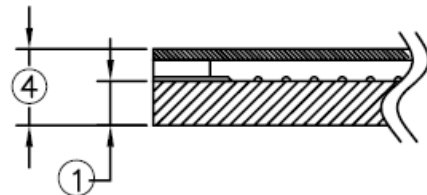
5wire Resistive Touch	
Input Method	Pen : 110 g ↓ (Polyacetal) Finger: 110 g ↓ (Silicon rubber)
Light Transmittance	81% ↑ (550nm wavelength, According to JIS-K7105)
Operating Temperature	-20°C ~ 70°C Humidity 90% RH at max 35°C
Storage Temperature	-40°C ~ 80°C Humidity 90% RH at max 35°C
Relative Humidity	25 - 90% (Temperature: 20±2 °c / Humidity : 65 ± 5 % RH)



<NOTES>

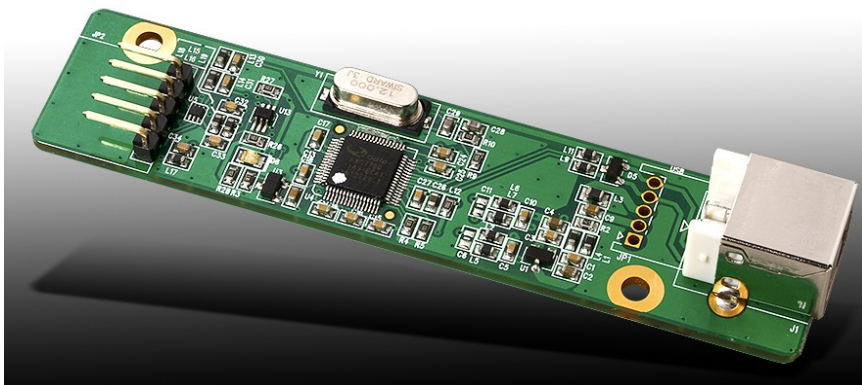
- ① GLASS THICKNESS : 1.8MM
2. GLASS CHARACTERISTIC : NORMAL
3. FILM CHARACTERISTIC : ANTI-GLARE
- ④ TOTAL THICKNESS : 2.1MM
5. LABEL TO BE ATTACHED TO FRONT SIDE OF TAIL

<A CROSS SECTION>



5wire Type Controller	
Circuit Board Dimension	20mm x 90mm (0.79inches x 3.54inches)
Power Requirements	D.C.+5V (100mA typical,50mV peak to peak maximum ripple and noise)
Operating Temperature	-25 to 85 °C
Storage Temperature	-25 to 85 °C
Relative Humidity	95% at 60 °C, RH Non-condensing
Interface	USB: 1.1 Full Speed
Resolution	2048×2048 resolution
Report rate	USB: Max. 200 points/sec
Response time	Max. 20 ms
Attached Cable	USB: 180cm shielded cable with USB-A connector
Regulatory Approvals	FCC-B , CE
EMI	Unaffected by environmental EMI
Panel resistance	5 wire resistive model: 50 ~ 200 ohm (Pin to pin on same layer, Touch Resistance under 3k ohm)
Green Product	RoHS Compliant
MTBF	200,000 hrs

ETP-MB-MER4050UEAG-AB (5 wire control board)



IV. OSD Function



1) Button

Button	Function	Notes
Power	Power on/off button - Turn power on or off	
Menu	Main menu on/move button - Show OSD menu on the screen - Exit the main menu or submenu	
SLEECT	Menu off button - Submenu Select - Input Source Select(RGB/DP)	
DOWN	Adjust button - OSD Menu Down - Moves the bar left to decrease the adjustment	
UP	Adjust button - OSD Menu UP - Moves the bar right to increase the adjustment	

2) Menu

Image	Sub Menu : Brightness, Contrast, Sharpness, Color Use the 'Adjust -' or 'Adjust +' button to decrease or increase the setting
Display	Sub Menu : Auto Adjust, Phase, Clock, Display Position, Panel Select Use the 'Adjust -' or 'Adjust +' button to decrease or increase the setting
System	Sub Menu : Input Source, OSD Setting, Language, Dimming, Reset Use the 'Adjust -' or 'Adjust +' button to adjust the settings automatically

V. Environment Specifications

Parameter	Values		Units	Notes
	Min.	Max.		
Operating Temperature	0	+50	°C	
Storage Temperature	-20	+60	°C	
Operating Humidity	5	90	%RH	
Storage Humidity	5	90	%RH	

VI. Reliability

No.	Test Item	Conditions	
1	High temperature operating test	Ta : 50 °C, 120Hr	
2	Low temperature operating test	Ta : 0 °C, 120Hr	
3	High temperature storage test	Ta : 60 °C, 120Hr	
4	Low temperature storage test	Ta : -20 °C, 120Hr	
5	High humidity operating test	Ta : 50 °C, 80%RH, 120Hr	
6	High humidity storage test	Ta : 50 °C, 90%RH, 120Hr	
7	Thermal shock operation test	Ta : 0 °C, 60min → 0 °C~50 °C, 30min → 50 °C, 60min, 50Cycle	
8	Thermal shock storage test	Ta : -20 °C, 60min → -20 °C~60 °C, 30min → 60 °C, 60min, 50Cycle	
9	ESD	Contact	8KV,1sec/cycle
		Air	15KV,1sec/cycle
10	Vibration (Non-Operation)	Linear sweep 30minutes, 10~200Hz 1.5G, X, Y, Z direction	
11	Shock (Non-Operation)	50G, 20ms, Half-sine wave ±X, ±Y, ±Z	

VII. Inspection standard

1. Description

These inspection standards shall be applied to LCD monitor supplied by GTT.

2. The condition of inspection

2.1 Inspection Environment

- 1) Ambient temperature : 15~25°C
- 2) Humidity : 25~75%RH
- 3) Ambient Illumination :
 400~600Lux for external appearance inspection
 100~200Lux for light on inspection

2.2 Inspection condition

- Viewing Distance : 30~50^{cm} from the surface of the monitor.
- Viewing Angle : 90 degree to the front surface of display panel.
- Viewing Distance : 30^{cm} from the surface of the monitor.
- Viewing Angle : 90 degree to the front surface of display panel.
- Inspection time for 15seconds.
- while the monitor is on the display and while running the Color patterns(White/Red/Green/Blue)
- Under the inspection condition above, we judge a failure in the inspection if stain or finger print are detected by naked eyes .

2.3 Inspection resolution

800×600, 60Hz

3. Visual inspection

3.1 Packing inspection

Item	Standard	Inspection equipment
Carton label	The character(Model, P/N, S/N etc...) can be discerned.	* Visual
Box	No broken and dirty	

3.2 Appearance inspection of monitor

Item	Standard	Inspection equipment
Rear & side	No crack, Broken and Distortion	* Visual * Calipers * Steel scale
Scratch	Noticeable scratch and exfoliation coating are not permitted	
Mounting hole	No omission	
Rear label	The character(Model, P/N, S/N etc...) can be discerned.	
Dimension and hole size	Tolerance : ± 0.2mm	

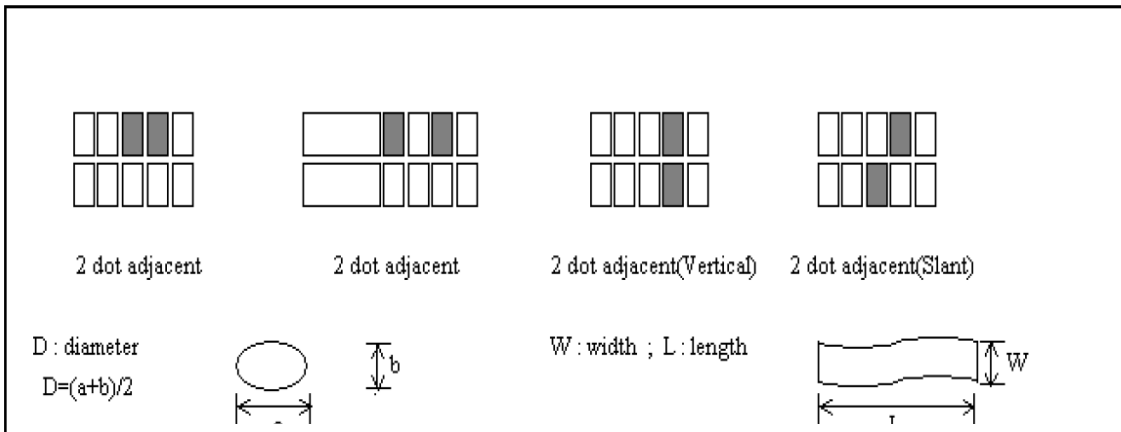
3.3 LCD visual inspection

[unit : mm]

Item	Standard		Inspection equipment
Dot (Bright & Dark)	Random	$N \leq 5$	* PC for inspection * Pattern generator * Lupe : $\times 10$ * N-test program * ND Filter
	2 adjacent	$N \leq 2$ (Note 1)	
	3 adjacent or more	$N \leq 1$	
	Total	$N \leq 8$	
Mura(Note 4)	Judged by 2% ND filter in gray pattern		
Line defect	Not allowed		

* D : Diameter, W : Width, L : Length, N : Count

Note (1) Two dot adjacent



Note (4) The inspection method of ND filter – holding ND filter in front of the panel around 1cm

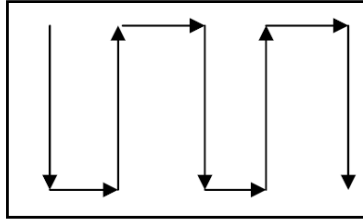
and examine the panel from 35 ± 5 cm in the front view for 3 seconds.

3.4 Touch glass & LCD Panel visual inspection

[unit ; mm]

Item	Defect size	Q'ty	Inspection equipment
Circular defect (Bubble, Scratch, Dig, Foreign object)	$D \leq 0.2$	Ignore	* Visual * Lupe ; $\times 10$
	$0.2 < D \leq 0.5$	12	
	$0.5 < D$	0	
	Sum of defects	12	
Circular defect (Dimple, Stain)	$D \leq 0.5$	Ignore	
	$0.5 < D \leq 1.0$	7	
	$1.0 < D$	0	
Liner defect (Scratch, Foreign object)	$W \leq 0.1, 1 \leq L \leq 10$	5	
	$0.1 < W \leq 0.2, L \leq 10$	3	
	$0.2 < W \leq 0.25, L \leq 5$	1	
	$W > 0.25$	0	
	Sum of defect	9	

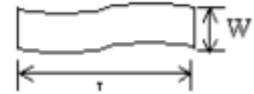
- * Inspection method
- Position front of touch screen 50cm form your eye.
- Inspection for 15seconds.
- Use one of the following patterns to aid eye.



D : diameter
 $D=(a+b)/2$



W : width ; L : length



4. Function inspection (Resolution 800*480 at 60Hz)

4.1 OSD key function inspection

Item	Standard	Inspection equipment
Key function	Function normally each key button on the PC mode.	* PC

4.2 Display inspection

Item	Standard		Inspection equipment
Color	No strange color displaying		* PC * Pattern generator
Flicker	No flicker		
Noise	No critical noise		
Jittering	No critical jittering		
Power LED indicator	Power & signal on	Green	

4.3 Function inspection of touch screen

Item	Standard	Inspection equipment
Linearity Accuracy	X, Y axis: $\pm 3.0\%$ or less	* Finger * Touch test program

VIII. Accessory

1) VGA Cable

WIRE CONNECTION

P1 HDB15(M)	WIRE COLOR	P2 HDB15(M)
1	COAX RED WIRE	1
6	COAX RED GND	6
2	COAX GREEN WIRE	2
7	COAX GREEN GND	7
3	COAX BLUE WIRE	3
8	COAX BLUE GND	8
9	BLACK	9
10	VIOLET	10
12	ORANGE	12
13	COAX NATURE WIRE	13
14	YELLOW	14
15	WHITE	15
4		4
5		5
11	Braid-coax NATURE GND	11
		SHELL

REMARK:

1. JUL 20276 [UL 1354(30AWG*1C+EA)*3+UL 1792(30AWG*1C+EA)*1+UL 1061 30AWG*5C+AB OD=φ5.5mm PVC JACKET COLOR:BLACK(HL-201)
2. HDB 15P(MALE,SOLID PIN,FULL PIN,PIN G/F, BLACK INSULATION,SHELL TIN PLATED) AFTER INNER-MOLDED MUST ADD COPPER FOIL AND SOLDERED AROUND 360° TO CONNECTOR SHELL AND CABLE SHIELD THEN 45P PVC OUTER MOLDED (45P COLOR:BLUE 661C HL-501)
3. FERRITE CORE (OD)10.0(L)13.5*(ID)6.35mm
4. THUMB SCREW φ 2.8*L32mm #4-40 NI PLATED ABS MOLDED COLOR:BLUE 661C(HL-501)
5. PVC 45P COLOR:BLACK(HL-201)
6. DUST CAP:USED FOR HDB15P(M) PVC COLOR:CLEAR(HL-002).
7. FINISHED PRODUCT BENDING TEST:300g,φ60,250TIMES MIN,25CYCLES/MIN
8. SALT SPRAY:35±2°C SOLUTION 5:1% SPRAY 24 HOURS,PH=6.5-7.2 AIR PRESSURE 1.0±0.01KG/F/C TEST RELATIVE HUMIDITY 10-85%,TEST STANDARD:CONTACT RESISTANCE LESS THAN TWICE OF INITIAL,NO EVIDENCE OF DAMAG

TOLERANCES		REVISIONS		CUSTOMER	
X.	± mm	REV	DESCRIPTION	HONGLIN PIN	SE MYOUNG
X.X	± mm	A/0	INITIAL RELEASE	110-2701	
X.XX	± mm			CUSTOMER PIN	SIM-071-10
X.XXX	± mm			TOOLING	1032,2010
X.XXXX	± mm			CHECKED	0208/1630
METRIC:MM				APPROVED	Tony 2008/1740

	HONGLIN ELECTRONIC CO.,LTD 泓淋电子有限公司
TITLE: SIGNAL CABLE ASSY	
DATE: 2006.02.08	
DRAWN: Betty	
SCALE: NONE	
SHEET: 1/1	
REV: A/0	
DRAWING: 110-2701.DWG	

2) DVI Cable

WIRE CONNECTION

DVI 18+1	COLOR	DVI 18+1
PIN 1	WHITE	PIN 1
PIN 2	RED	PIN 2
PIN 3	GND	PIN 3
PIN 6	VIOLET	PIN 6
PIN 7	RED	PIN 7
PIN 9	WHITE	PIN 9
PIN 10	GREEN	PIN 10
PIN 11	GND	PIN 11
PIN 14	YELLOW	PIN 14
PIN 15	ORANGE	PIN 15
PIN 16	WHITE	PIN 16
PIN 17	WHITE	PIN 17
PIN 18	BLUE	PIN 18
PIN 19	GND	PIN 19
PIN 22	GND	PIN 22
PIN 23	BROWN	PIN 23
PIN 24	WHITE	PIN 24
SHELL	BRAID	SHELL

REMARK:

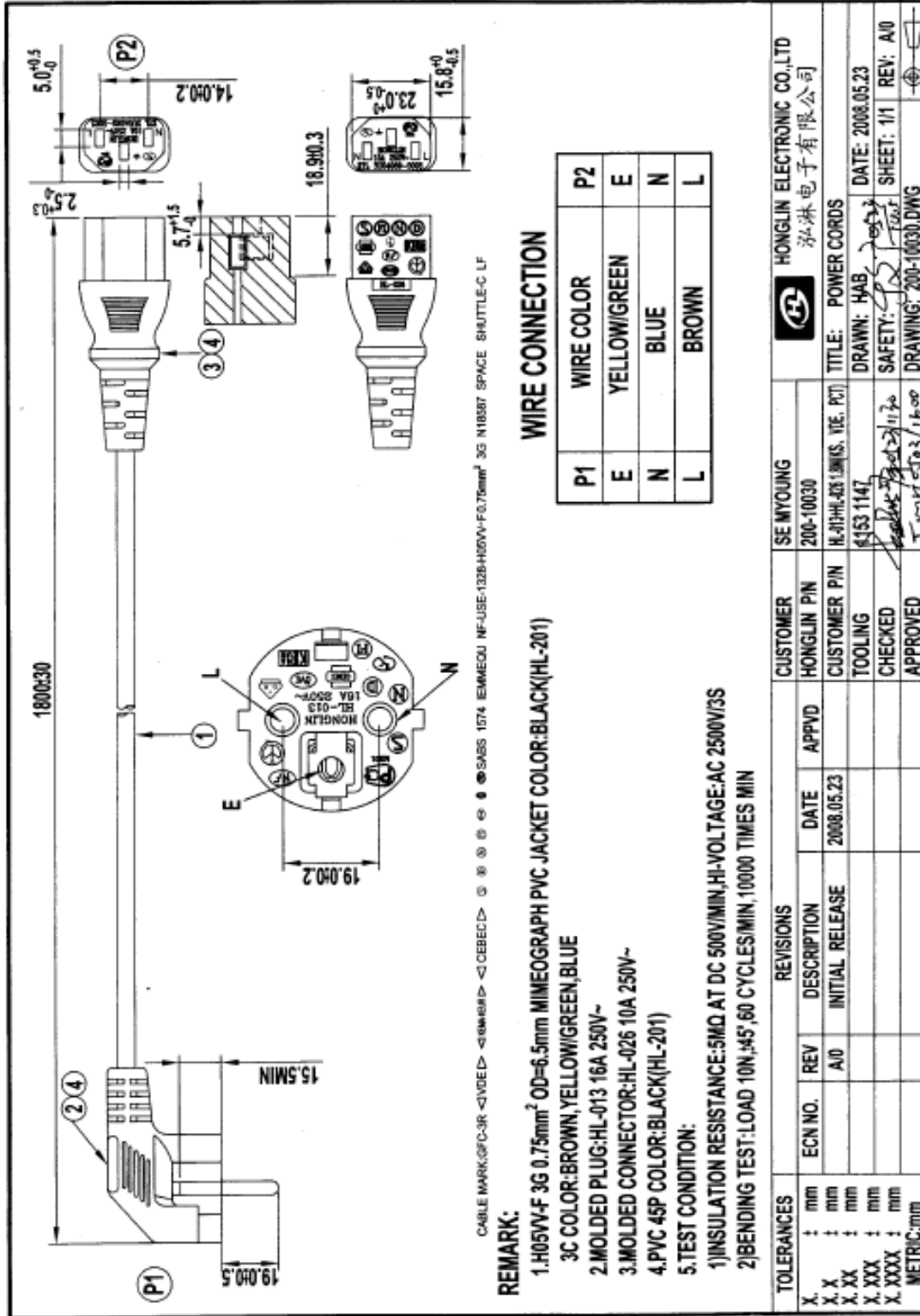
1. UL20276 APPROVED (28AWG*1P+EAM)*4*28AWG*1P+28AWG*3C+DAB OD:Ø7.3mm
PVC JACKET COLOR:BLACK(HL-201)
2. DVI-D(18+1) MALE, ASSEMBLY TYPE, SOLID PIN, PIN G/F, BLACK INSULATION, SHELL NI PLATED)
AFTER ADD METAL CAN AND SOLDERED AROUND 360° TO CONNECTOR SHELL AND CABLE SHIELD.
THEN ASSEMBLY THE OUTER MOLDED SHELL [COLOR:BLACK(HL-201)]
3. THUMB SCREW:Ø4.0*45mm #4-40 NI PLATED ABS MOLDED COLOR:BLACK(HL-201)
4. FERRITE CORE:(ØD)17.5*(L)28.5*(ID)9.5mm
5. PVC:45P COLOR:BLACK(HL-201)
6. SALT SPRAY:35±2°C SOLUTION 5:1% SPRAY 24 HOURS
PH=6.5-7.2 AIR PRESSURE 1.0±0.01KG/FIC
TEST RELATIVE HUMIDITY 10-85%
TEST STANDARD: CONTACT RESISTANCE LESS THAN
TWICE OF INITIAL, NO EVIDENCE OF DAMAGE

TOLERANCES	REVISIONS		
X. mm	ECN NO.	REV	DESCRIPTION
X. X		A/0	INITIAL RELEASE
X. XX			
X. XXX			
X. XXXX			
METRIC:MM			

CUSTOMER	SE MYOUNG	HONGLIN P/IN	180-2300
HONGLIN P/IN	180-2300	DVI-D TO DVI-D CABLE(1.8M)	TITLE: DVI CABLE ASS'Y
CUSTOMER P/IN	1002,2037		DRAWN: Betty
TOOLING			DATE: 2006.02.07
CHECKED			SHEET: 1/1
APPROVED			REV: A/0

HONGLIN ELECTRONIC CO.,LTD
 弘霖电子有限公司
 DRAWING: 180-2300.DWG

3) AC Cord

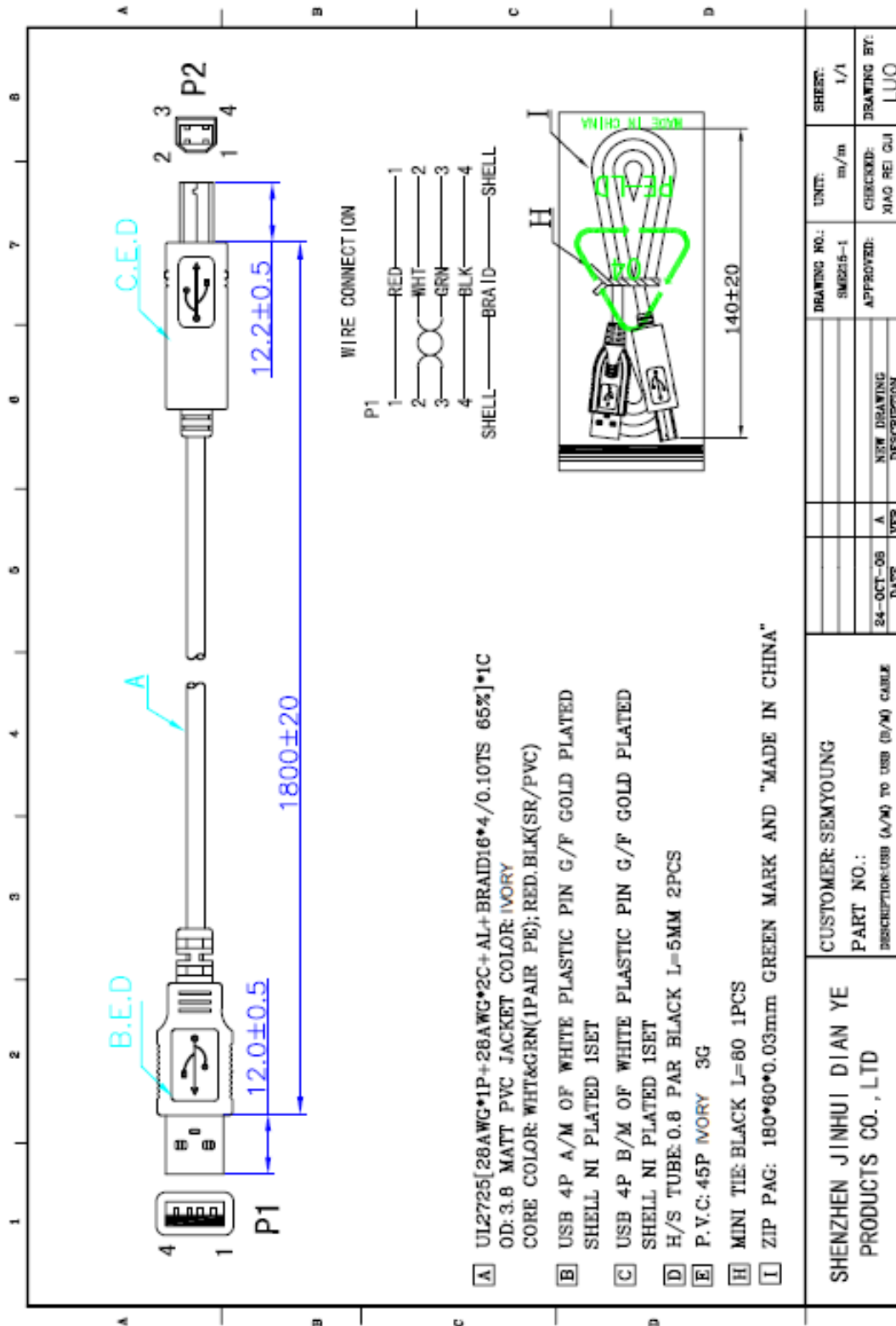


CABLE MARK:GFC-3R <VDE> <IEC> <CCC> <CEBEC> <SABS 1574 IEMECQU NF-USE-1326-H00V-F-0.75mm² 3G N18887 SPACE SHUTTLE-C LF

- REMARK:**
- 1.H05W-F 3G 0.75mm² OD=6.5mm MIMEOGRAPH PVC JACKET COLOR:BLACK(HL-201)
 - 2.MOLDED PLUG:HL-013 16A 250V~
 - 3.MOLDED CONNECTOR:HL-026 10A 250V~
 - 4.PVC 4SP COLOR:BLACK(HL-201)
 - 5.TEST CONDITION:
 - 1)INSULATION RESISTANCE:5MQ AT DC 500V/MIN,HI-VOLTAGE:AC 2500V/3S
 - 2)BENDING TEST:LOAD 10N,45°,60 CYCLES/MIN,10000 TIMES MIN

TOLERANCES		REVISIONS		CUSTOMER		SE MYOUNG		HONGLIN ELECTRONIC CO.,LTD 泓淋电子有限公司	
X.	± mm	ECN NO.	REV	DESCRIPTION	DATE	APPVD	HONGLIN PIN	200-10030	
X.	± mm		A/0	INITIAL RELEASE	2008.05.23		CUSTOMER PIN	HL-31HL-403 (MMS, IIE, PCT)	TITLE: POWER CORDS
X.	± mm						TOOLING	4153 1147	DATE: 2008.05.23
X.	± mm						CHECKED	HAB	DRAWN: HAB
X.	± mm						APPROVED		SAFETY: <i>[Signature]</i>
X.	± mm								SHEET: 1/1
	METRIC:mm								DRAWING: 200-10030.DWG

4) USB Cable



SHENZHEN JINHU J DIAN YE PRODUCTS CO., LTD		CUSTOMER: SEMYOUNG		DRIVING NO.: SMZS15-1	UNIT: m/m	SHEET: 1/1
PART NO.:		PART NO.:		APPROVED:	CHECKED: XIAO REI GU	DRAWING BY: LUO
DESCRIPTION: USB (A/M) TO USB (B/M) CABLE		DESCRIPTION:		DATE: 24-OCT-08	VER: A	
				NEW DRAWING DESCRIPTION		

5) Adaptor

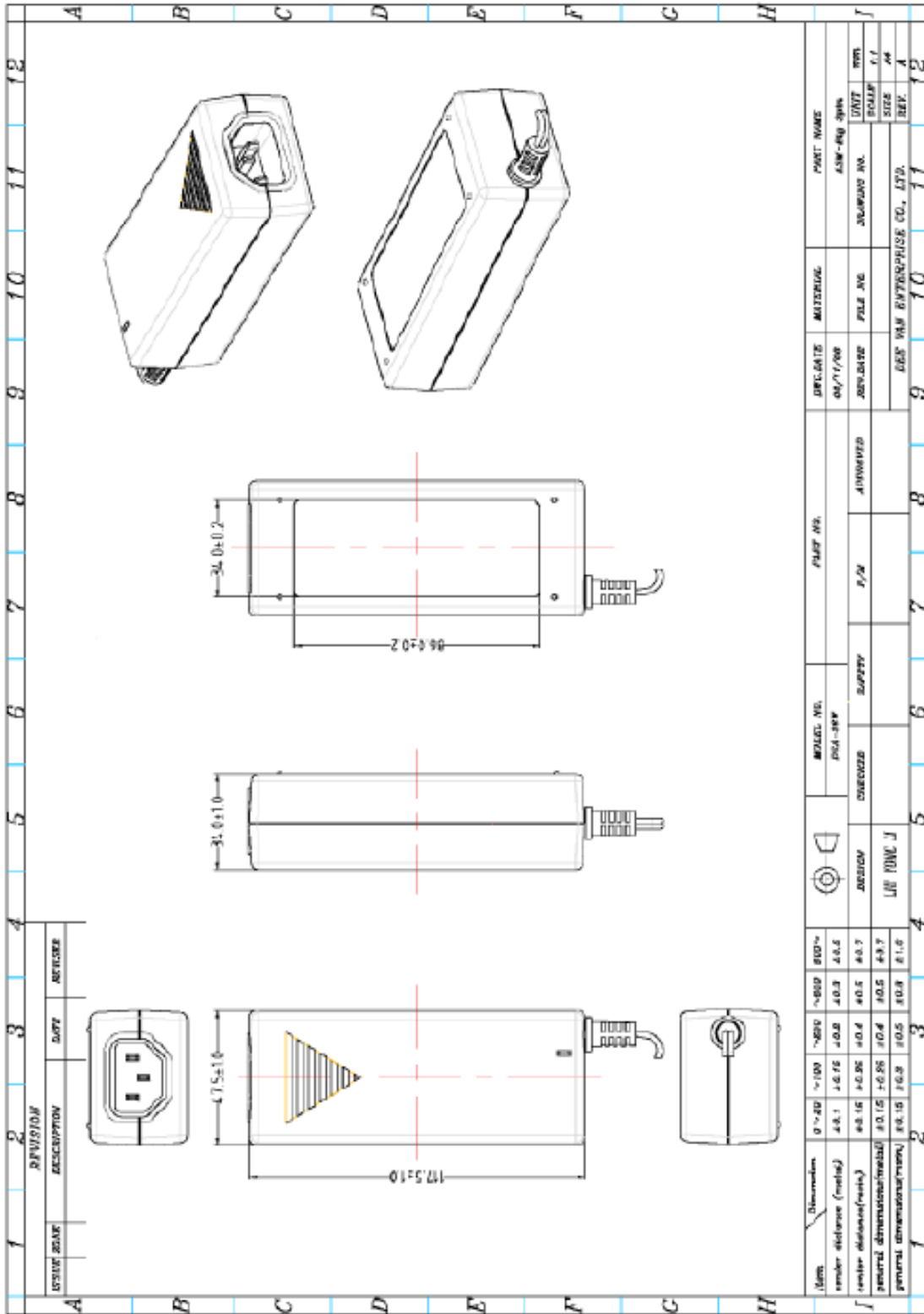
			<table border="1" style="width: 100%; border-collapse: collapse;"> <tr> <td colspan="2">FROM NO. 1</td> <td colspan="2">COMPUTER NO. :</td> </tr> <tr> <td>REV</td> <td>ZONE</td> <td>DESCRIPTION</td> <td>DATE</td> <td>BY</td> </tr> <tr> <td>A</td> <td></td> <td></td> <td>10/10/21</td> <td>ZPH</td> </tr> </table>	FROM NO. 1		COMPUTER NO. :		REV	ZONE	DESCRIPTION	DATE	BY	A			10/10/21	ZPH				
FROM NO. 1		COMPUTER NO. :																			
REV	ZONE	DESCRIPTION	DATE	BY																	
A			10/10/21	ZPH																	
<p>帝聞電子(龍川)有限公司 Made in China 中國製造 (G)</p>		<p>NOTE: 1. 顏色: 銀底黑字 2. 材質: 清銀龍加亮面(UL, CSA APPROVAL) 環保材料 3. 處理: 永久背膠 4. 須由UL, CSA合格廠商承制. 5. 儲存溫度: -20C及+70C之範圍. 6. 持業務確認安規等各項再行制作生產. 7. 凹形及CE logo 高度最小需達到5mm 8. LABEL厚度為0.25+/-0.02mm 9. 禁止使用DVE所禁用之危害物質</p>																			
<p>(X)此代碼表生產工廠: X=F(表帝聞深圳生產) X=G(表帝聞龍川廠生產)</p>																					
<table border="1" style="width: 100%; border-collapse: collapse;"> <tr> <td>DEPARTMENT</td> <td>UNIT</td> <td>CASE</td> <td>PART NO.</td> <td>SALE</td> <td>備註</td> </tr> <tr> <td>R&D SPS</td> <td>mm</td> <td></td> <td></td> <td></td> <td></td> </tr> <tr> <td>APPD. BY</td> <td>CHD. BY</td> <td>DWG. BY</td> <td>DRAWING NO.</td> <td>SAFETY</td> <td>備註</td> </tr> </table>		DEPARTMENT	UNIT	CASE	PART NO.	SALE	備註	R&D SPS	mm					APPD. BY	CHD. BY	DWG. BY	DRAWING NO.	SAFETY	備註		
DEPARTMENT	UNIT	CASE	PART NO.	SALE	備註																
R&D SPS	mm																				
APPD. BY	CHD. BY	DWG. BY	DRAWING NO.	SAFETY	備註																
<table border="1" style="width: 100%; border-collapse: collapse;"> <tr> <td>MODEL NO.:</td> <td>DSA-42D-12</td> <td>PAGE 10FI</td> <td>ZPH</td> </tr> </table>		MODEL NO.:	DSA-42D-12	PAGE 10FI	ZPH																
MODEL NO.:	DSA-42D-12	PAGE 10FI	ZPH																		

REVISE NO.	DESCRIPTION	DATE	REVISION
1			

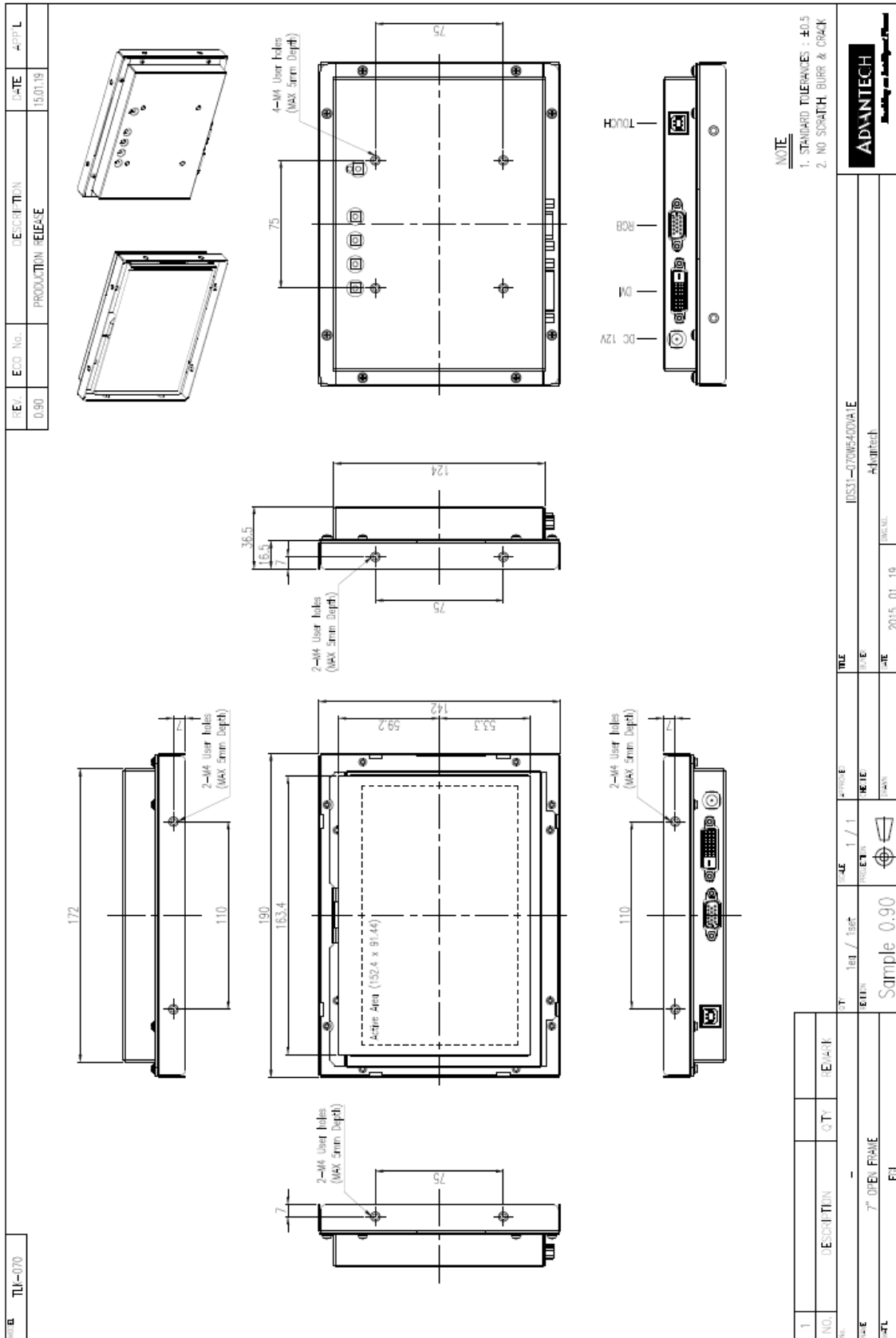
NOTE:

- PLUG MATERIAL: 黑色PVC料30-40P; PLUG頭絕緣紙為BE, 音叉式帶防滑四槽;
- SR MATERIAL: 黑色PVC料60-70P 拉力20LBS/min;
- 插板裝法依照LABEL指示;
- 材質須符合"ROHS"要求;
- 禁止使用DVE所禁用之危害物質.

Dimension	0	+0.1	+0.2	+0.3	+0.4	+0.5	±0.1	±0.2	±0.3	±0.4	±0.5
length											
width											
height											
radius											
angle											
tolerance											

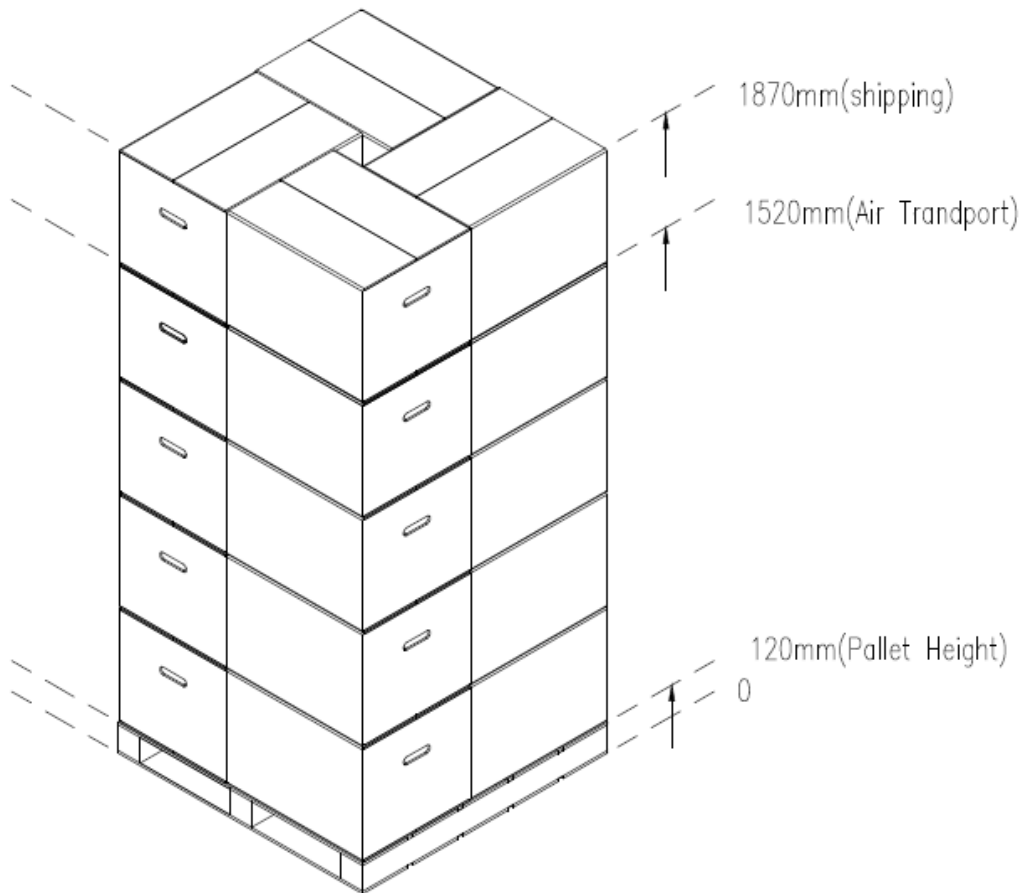
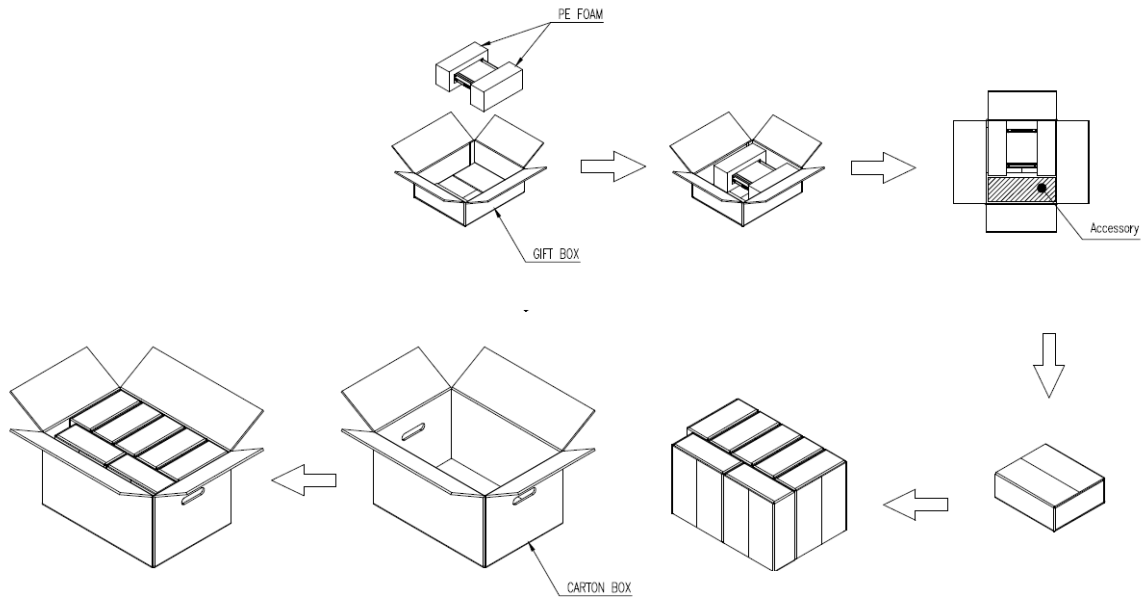


IX. Mechanical Characteristics



X. Packing

1) Packing Method



1 Carton / 7 Set

1 Pallet / 20 Carton / 140 Set (Shipping)