



---

INSTRUCTION BOOK FOR  
Tensioned Professional Electrol®

---



# Original Instructions

## Disclaimer

---

Milestone and its affiliated corporations and subsidiaries (collectively "Milestone"), intend to make this manual accurate and complete. However, Milestone makes no claim that the information contained herein covers all details, conditions or variations, nor does it provide for every possible contingency in connection with the installation or use of this subject to change without notice or obligation of any kind. Milestone makes no representation of warranty, expressed or implied, regarding the information contained herein. Milestone assumes no responsibility for accuracy, completeness or sufficiency of the information contained in this document.

Da-Lite® is a registered trademark of Milestone AV Technologies. All rights reserved.

## Important Safety Instructions

---

When using your video equipment, basic safety precautions should always be followed, including the following:

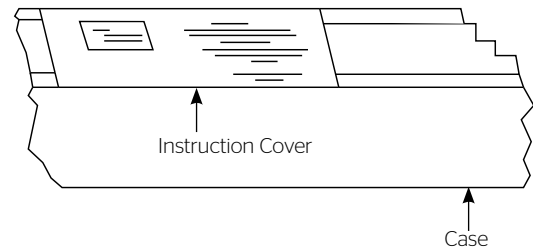
1. Read and understand all instructions before using.
2. Position the cord so that it will not be tripped over, pulled, or contact hot surfaces.
3. If an extension cord is necessary, a cord with a current rating at least equal to that of the appliance should be used. Cords rated for less amperage than the appliance may overheat.
4. To reduce the risk of electric shock, do not disassemble this appliance. Contact an authorized service dealer when repair work is required. Incorrect reassembly can cause electric shock when the appliance is used subsequently.
5. The use of an accessory attachment not recommended by the manufacturer may cause a risk of fire, electric shock, or injury to persons.
6. Failure to provide adequate structural strength for this component can result in serious personal injury or damage to equipment! It is the installer's responsibility to make sure the structure to which this component is attached can support the weight of all equipment. Reinforce the structure as required before installing the component.
7. Use this projection screen only for its intended use as described in these instructions. Do not use attachments not recommended by the manufacturer.

**Save These Instructions**

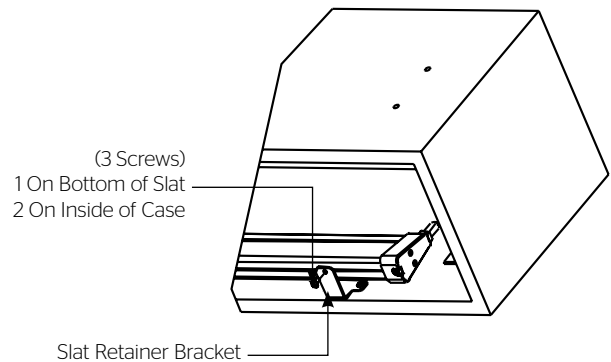
## Pre-Installation

---

1. Carefully unpack screen.
2. Make sure to recheck measurements of screen location before installation.
3. Remove instruction cover plate (Fig. 1). Do not remove wrapping paper until screen is installed.
4. Remove the retainer screws from the slat bar before the case has been installed (Fig. 2).



**Figure 1**



**Figure 2**

# Installation

## Hangers (If required)

1. See Figure 3 for hanger placement.
2. Make sure hangers are placed to fit into notches of ironing board.

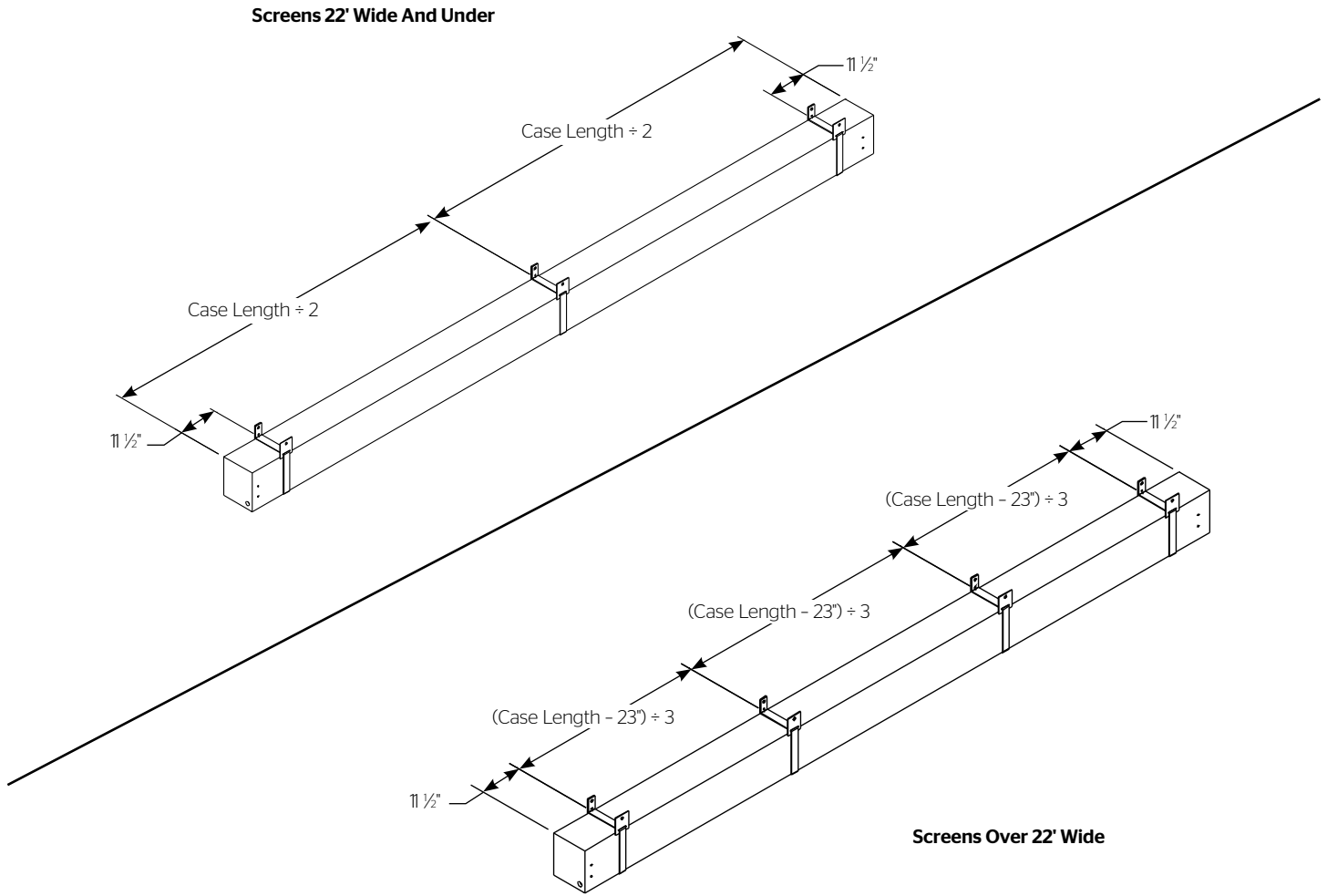


Figure 3

# Installation

1. Level unit lengthwise with a carpenter's plum level.

**⚠ CAUTION! Do Not completely seal in unit. Access room must be allowed for motor repair or fabric replacement.**

**⚠ ATTENTION! Ne fixez pas complètement l'unité. Un espace doit être laissé pour pouvoir réparer le moteur ou remplacer la toile.**

2. Remove shipping brace by removing 2 hex head screws (Figure 4).

3. Use supplied 1/8" hex key and a 5/16" wrench to remove silver shipping brackets attached to slat and screen case.

4. Remove wrapping paper.

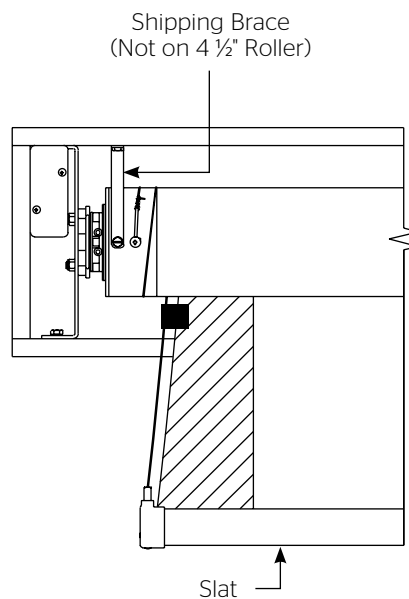
**⚠ CAUTION! Do not cut wrapping paper with knife or any sharp tool. Remove by hand.**

**⚠ ATTENTION! Ne coupez pas le papier d'emballage ou le ruban adhésif avec un couteau ou un outil tranchant. Retirez à la main.**

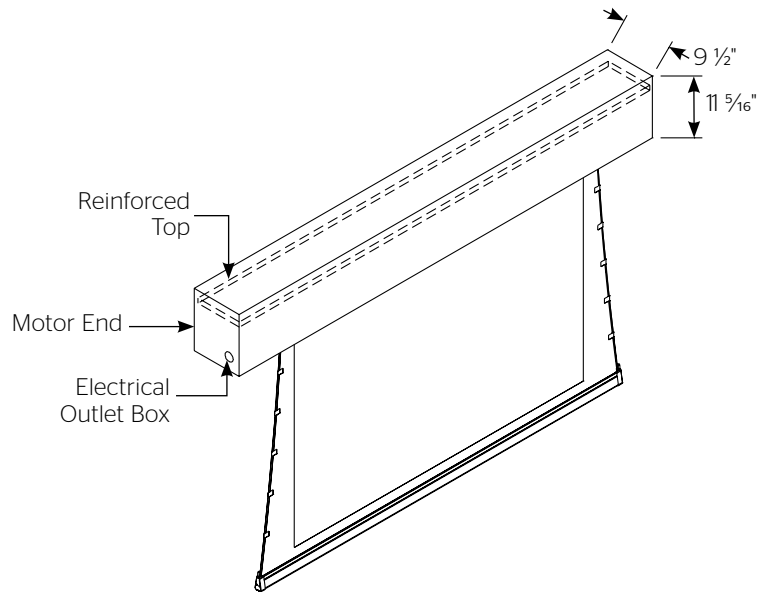
5. Install electrical hook up that applies to your unit. Make sure to review your Electrical Installation Checklists and wiring diagrams (included) for either 110 volt switch, 220/240 volt switch, or DRC low voltage control.

6. Test installation by carefully running surface up and down several times. Be prepared to stop screen.

**NOTE:** The picture surface, when rolled down, should have at least a full wrap and a half around the roller. Do not allow any part of the roller to become exposed.

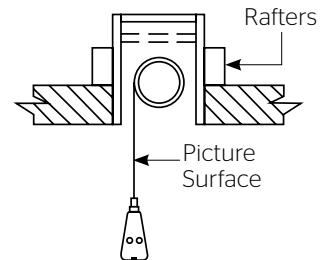
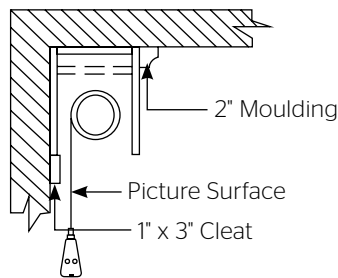
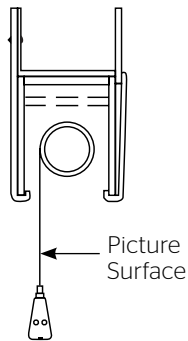


**Figure 4**



**Suggested Methods of Installation**

**Ceiling Type Hanger**



**Ceiling Mount Without Hangers**

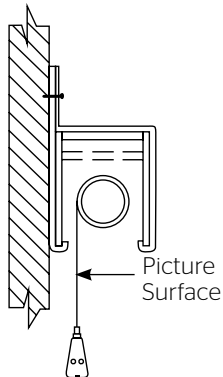
Screen case is placed flush with the wall and ceiling and held in position by moulding securely attached to the wall.

**Recessed Above Ceiling**

Other methods of installation will suggest themselves in new buildings where it would be an easy matter to provide a recess for the screen to conceal it when not in use.

Do not seal in—allow access.

**Wall Type Hanger**



**For Exposed Installation**

If the screen is to be mounted in an exposed position, it may be covered with finished plywood, veneer, paneling, plastic wall covering or a valance.

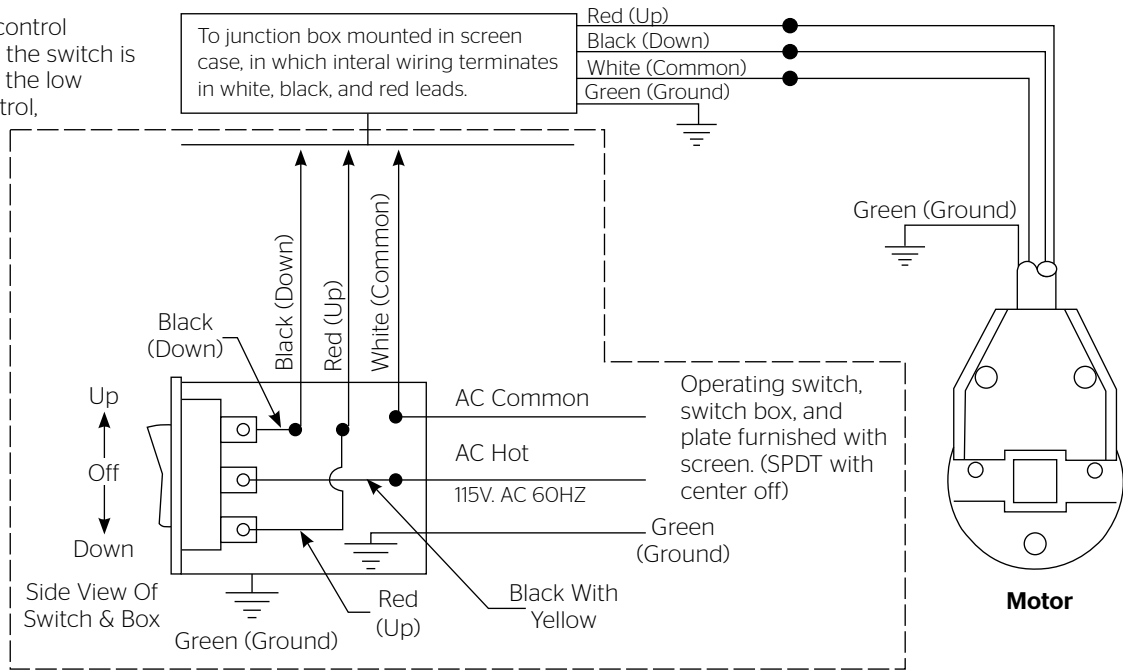
**Wall or Ceiling Mount With Hangers**

Wall type hangers and ceiling type hangers are standard equipment. One set is supplied with each screen. Useful for recessed installations.

# 120V Wiring Diagram

## 120V Wiring Diagram

In multiple control installations the switch is replaced by the low voltage control, operated from push button stations.

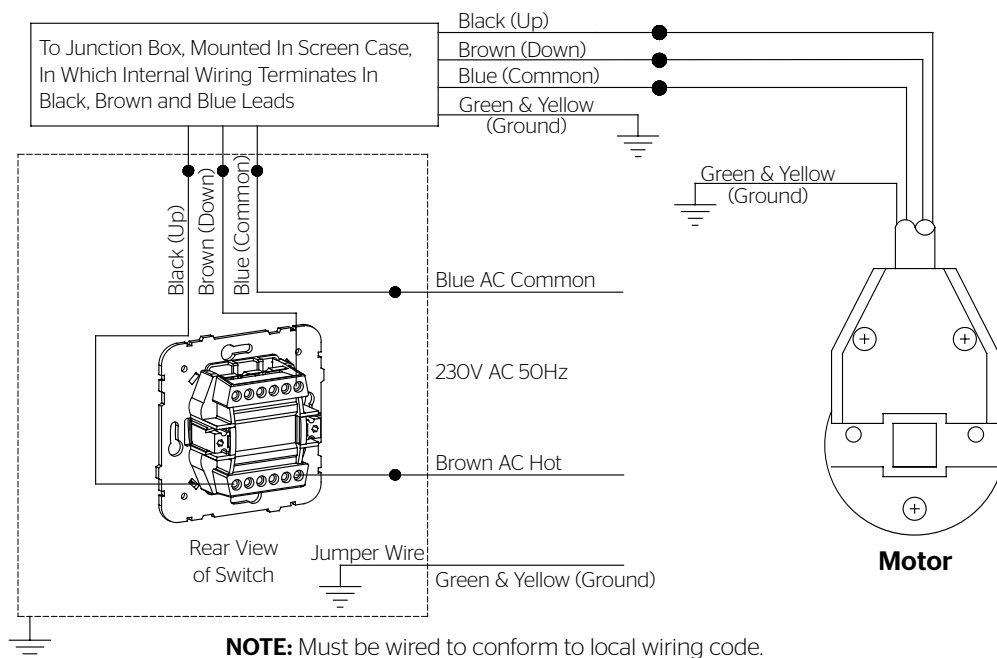


This switch cannot be used with L.V.C.

**NOTE:** A single switch cannot be used to operate more than one screen. Contact the factory for further information.

## 220V Wiring Diagram - European Switch

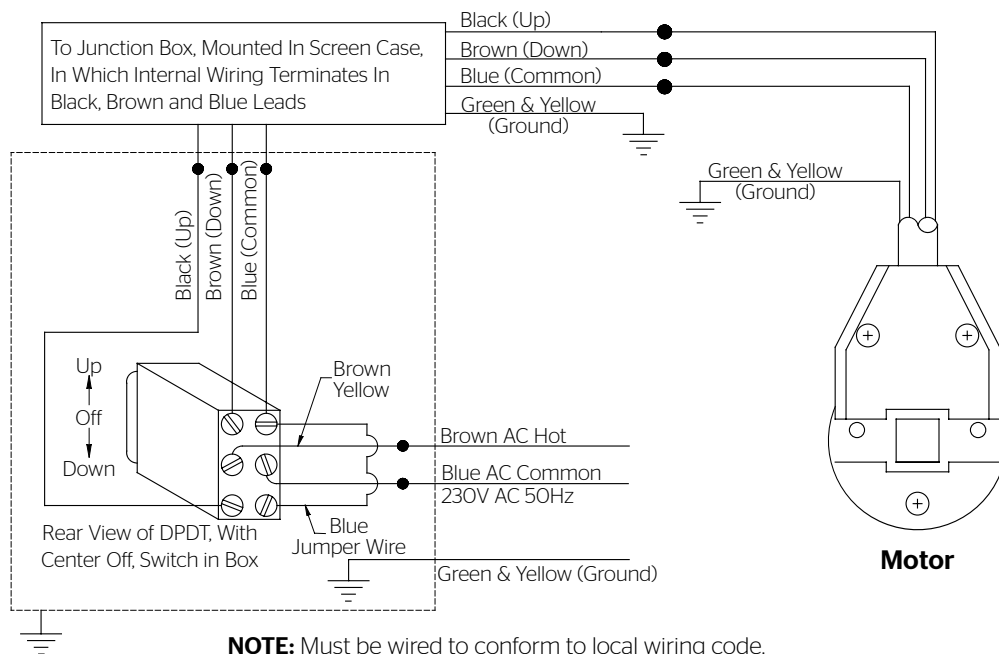
**NOTE:** A single switch cannot be used to operate more than one screen. In multiple control installations this switch is replaced by the low voltage control, operated from push button stations. Contact the factory for further information.



**This Switch Cannot Be Used With LVC.**

## 220V Wiring Diagram - Rocker Switch

**NOTE:** A single switch cannot be used to operate more than one screen. In multiple control installations this switch is replaced by the low voltage control, operated from push button stations. Contact the factory for further information.



**This Switch Cannot Be Used With LVC.**

# Screen Adjustment

Surface travel is stopped automatically in the fully opened and closed positions by limit switches that are properly adjusted at Da-Lite. Should it be necessary to adjust more or less drop of picture, proceed in the following manner:

**⚠ CAUTION! When adjusting and testing, be prepared to stop screen quickly as serious damage may occur.**

**⚠ ATTENTION! Lors du réglage et du test, soyez prêt à rapidement arrêter l'écran car de graves dommages peuvent se produire.**

**NOTE:** Use a screw driver or allen wrench to make adjustments.

## More screen drop

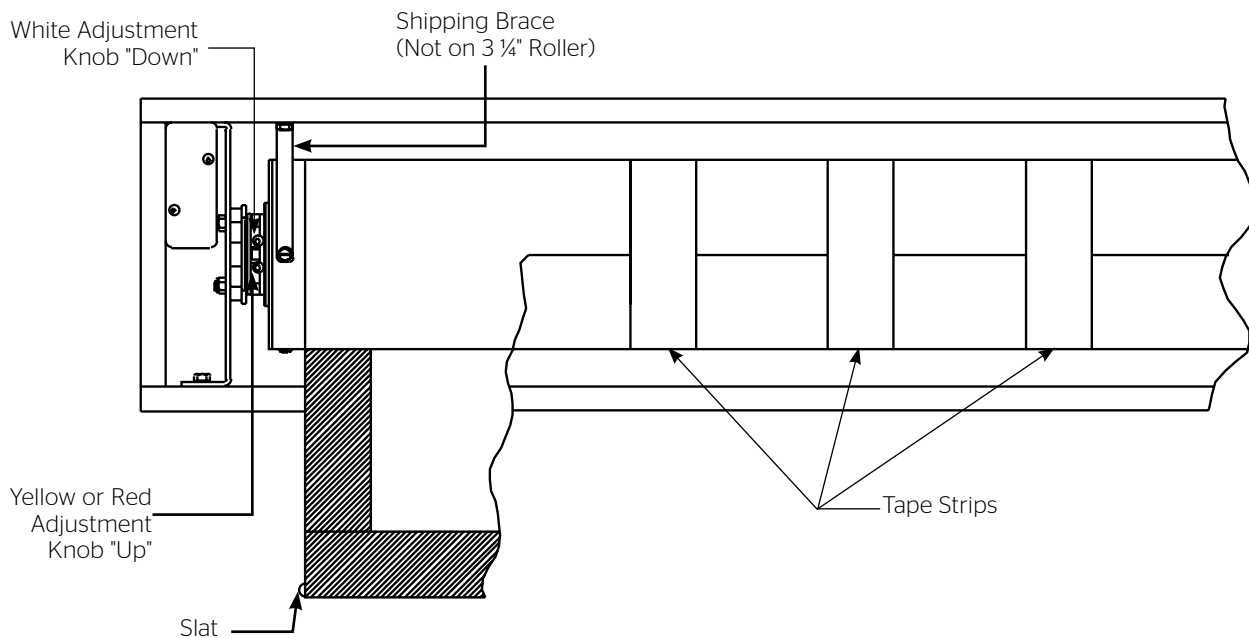
1. Place operating switch in "down" position.
2. When the screen stops, turn the white "down" limit knob (Fig.4) one-quarter turn counterclockwise. Test by raising picture surface approximately two feet, then lower again. Repeat until desired picture surface position is attained.

**CAUTION: Do not adjust for more drop than what was ordered. At least 1-1/2 wraps of fabric must remain on the roller. This screen comes standard with 12" black at the top.**

**ATTENTION! N'effectuez pas de réglage pour obtenir un déroulement supérieur à celui commandé. Au moins 1 à 1/2 tour de toile doit être maintenu sur le cylindre. Ce écran est doté de série d'une bande noire supérieure de 30,5 cm (12 po).**

## Less screen drop

1. Raise picture surface approximately two feet above desired level.
2. Place operating switch in "off" position.
3. Turn the white "down" limit switch (Fig. 4) one-quarter turn clockwise. Test by raising picture surface approximately two feet, then lower again. Repeat until desired picture surface position is attained.





# Troubleshooting

Symptom	Cause	Solution
<b>Screen will not operate and motor does not hum.</b>	Blown fuse.	Replace fuse.
	Tripped circuit breaker.	Reset circuit breaker.
	No power to operating switch or junction.	Check above. Tighten all loose wire connections. Correct any improper connections. "Down" Position Check for power across black and white leads. "Up" Position Check for power across red and white leads.
	Power at junction box.	
	Thermal overload tripped.	Let motor cool down for 15 minutes. Try again.
	Broken wire in the "down" or "up" position.	Check for continuity. Cut off old splice and reconnect.
	Defective motor, limit switch or capacitor.	Replace motor assembly. NOTE: Motor is a sealed assembly.
	Capacitor burned out.	Replace motor assembly.
<b>Incorrect stopping position in downward direction.</b>	Lost roller wrap.	See instructions below.
	"Down" limit switch out of adjustment.	Contact Da-Lite at 800-622-3737 or 574-267-8101.
<b>Incorrect stopping position in upward direction.</b>	Lost roller wrap.	See instructions below.
	"Up" limit switch out of adjustment.	Contact Da-Lite at 800-622-3737 or 574-267-8101.
<b>Noise.</b> NOTE: Screen will operate with a low pitched hum.	Gear Noise.	Replace motor assembly.
<b>Coasting.</b>	Defective brake.	Replace motor assembly.





## Conditions for Transportation and Storage

---

- Temperature: Between 40 - 100°F (5 - 40°C)
- Relative Humidity: 30% to 70%, non-condensing
- Always keep the projection screen horizontal during transport and storage
- Make sure the entire package is supported when stored
- Do not stack more than six projection screens on top of each other
- Make sure the heaviest package is placed at the bottom of the stack

**Screen surface should be allowed to air out once every two months, or otherwise used on a regular basis, if the temperature is above 72°F (22°C) and at least once every month if the temperature goes above 85°F (30°C).**

### LIMITED FIVE YEAR WARRANTY ON DA-LITE PRESENTATION PRODUCTS

Milestone AV Technologies LLC warrants certain Da-Lite branded products to the original purchaser only, to be free from defects in materials and workmanship for a period of five (5) years from the date of purchase by the original purchaser; provided they are properly operated according to Da-Lite's instructions and are not damaged due to improper handling or treatment after shipment from the factory.

This warranty does not apply to equipment showing evidence of misuse, abuse or accidental damage, or which has been tampered with or repaired by a person other than authorized Da-Lite personnel.

Da-Lite's sole obligation under this warranty shall be to repair or to replace (at Da-Lite's option) the defective part of the merchandise. Returns for service should be made to your Da-Lite dealer. If it is necessary for the dealer to return the screen or part to Da-Lite, transportation expenses to and from Da-Lite are payable by the purchaser and Da-Lite is not responsible for damage in shipment. To protect yourself against damage or loss in transit, insure the product and prepay all transportation expenses.

**TO THE MAXIMUM EXTENT PERMITTED BY APPLICABLE LAW, THIS WARRANTY IS IN LIEU OF ALL OTHER WARRANTIES, EXPRESS OR IMPLIED, INCLUDING WARRANTIES AS TO FITNESS FOR USE AND MERCHANTABILITY.** Any implied warranties of fitness for use, or merchantability, that may be mandated by statute or rule of law are limited to the five (5) year warranty period. This warranty gives you specific legal rights, and you may also have other rights, which vary from state-to-state. **TO THE MAXIMUM EXTENT PERMITTED BY APPLICABLE LAW, NO LIABILITY IS ASSUMED FOR EXPENSES OR DAMAGES RESULTING FROM INTERRUPTION IN OPERATION OF EQUIPMENT, OR FOR INCIDENTAL, DIRECT, OR CONSEQUENTIAL DAMAGES OF ANY NATURE.**

In the event that there is a defect in materials or workmanship of a Da-Lite product, you may contact our Customer Care Specialists at 3100 North Detroit Street, Warsaw, IN 46582, (574) 267-8101, (800) 622-3737.

**IMPORTANT: THIS WARRANTY SHALL NOT BE VALID AND DA-LITE BRANDED PRODUCTS SHALL NOT BE BOUND BY THIS WARRANTY IF THE PRODUCT IS NOT OPERATED IN ACCORDANCE WITH THE DA-LITE WRITTEN INSTRUCTIONS.**

Keep your sales receipt to prove the date of purchase and your original ownership.



FOR YOUR IMAGE | [legrandav.com](http://legrandav.com)

USA P 866.977.3901 E [info@da-lite.com](mailto:info@da-lite.com)  
CANADA P 877.345.4329 E [canadainfo@milestone.com](mailto:canadainfo@milestone.com)  
EMEA P +31 495 580 840 E [emea.sales@milestone.com](mailto:emea.sales@milestone.com)  
APAC P +852 2145 4099 E [asia.da-lite@milestone.com](mailto:asia.da-lite@milestone.com)

In British Columbia, Milestone AV Technologies ULC carries on business as MAVT Milestone AV Technologies ULC.  
©2018 Milestone AV Technologies. DL-0170 (Rev. 3) 7/18 Da-Lite is a registered trademark of Milestone AV Technologies. All other brand names or marks are used for identification purposes and are trademarks of their respective owners. All patents are protected under existing designations. Other patents pending.