

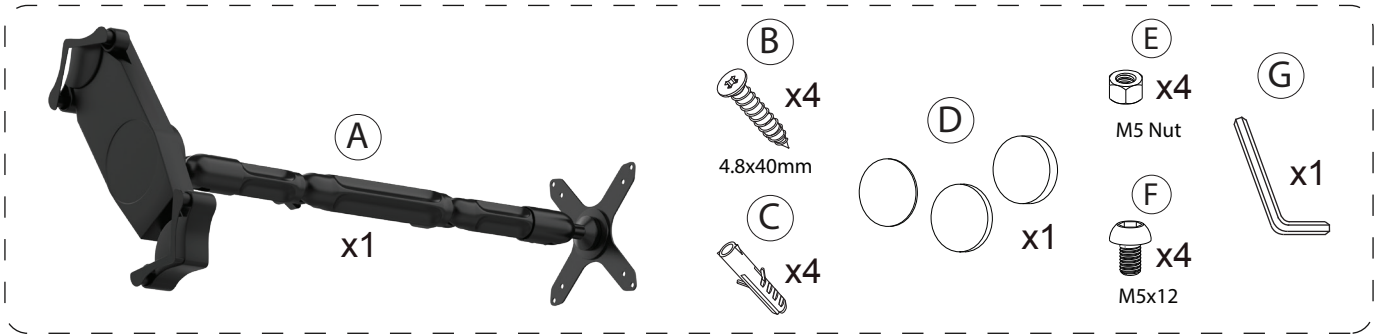


# Custom Flex Wall Mount

PAD-CFWM

INSTRUCTION - MANUAL

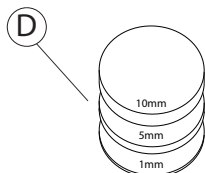
## CONTENTS:



## INSTRUCTIONS:

### 1. Attaching Foam Pad to Tablet Holder

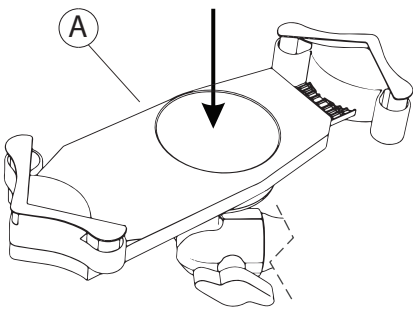
Select the appropriate foam pad (D) according to the thickness of your tablet (or tablet in its case), then press adhesive side into center of the tablet holder.



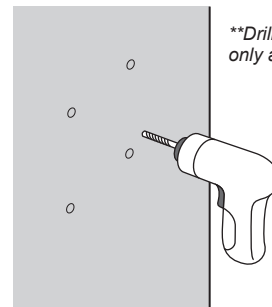
Foam Pad Thickness:	Tablet Thickness:
1mm	0.67-1.06in / 17-27mm
5mm	0.51-0.91in / 13-23mm
10mm	0.31-0.71in / 8-18mm

Use the table above to determine the appropriate foam pad (D) to use with your tablet.

**Note:** sizes refer to total tablet size with or without a case

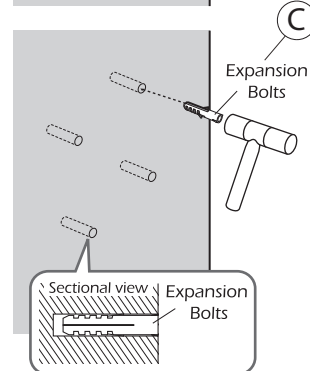


### 2. Installing the Custom Flex Wall Mount to the Wall

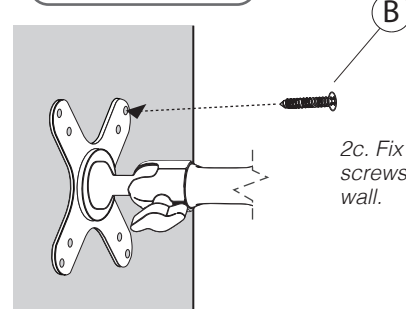


**\*\*Drill for illustration only and not included**

2a. Drill the holes in the wall to these specifications:  
diameter: 6.5~7mm  
depth: 40~45mm

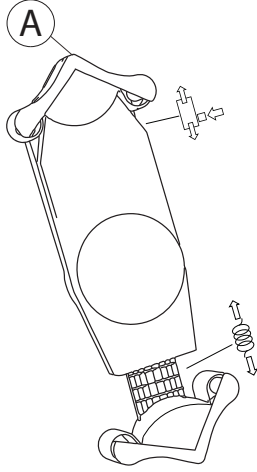


2b. Knock the expansion bolts (C) completely into the wall.

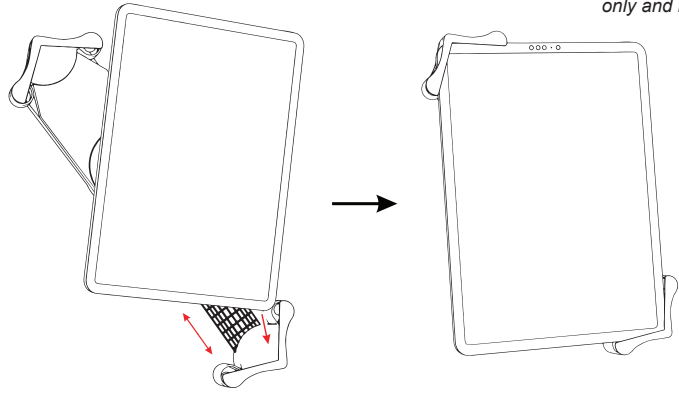


2c. Fix it with the screws (B) to the wall.

### 3. Inserting Tablet to Holder



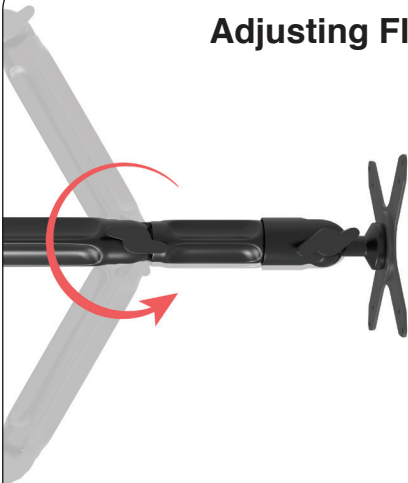
3a. Press quick release button on side of tablet holder (A) to release the adjustable end.



**\*\*Tablet for illustration only and not included**

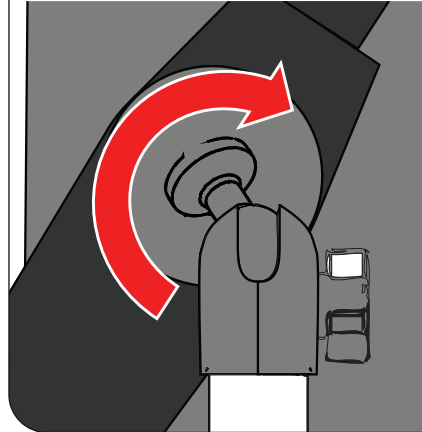
3b. Insert tablet corner against the spring arm. Push adjustable arm down against opposite corner (A). Be sure it is as snug as possible. Be sure to not place on the corner where camera would be on tablet or else it will block.

#### Adjusting Flex Arm



Twist the screw knob of the arms counter-clockwise to release the connection. Adjust the arms to your preferred position and then tighten the screw knob clockwise.

#### Adjusting Tablet Holder



Tablet holder rotates 360° for custom viewing angles.

**\*\*WARNING - DO NOT attempt to adjust, tilt, or rotate any ball socket joints while it is fully tightened. Any such action will result in possible damage and loss of integrity of product functioning at full capacity. Manufacturer will not be responsible for any such actions by any person.**