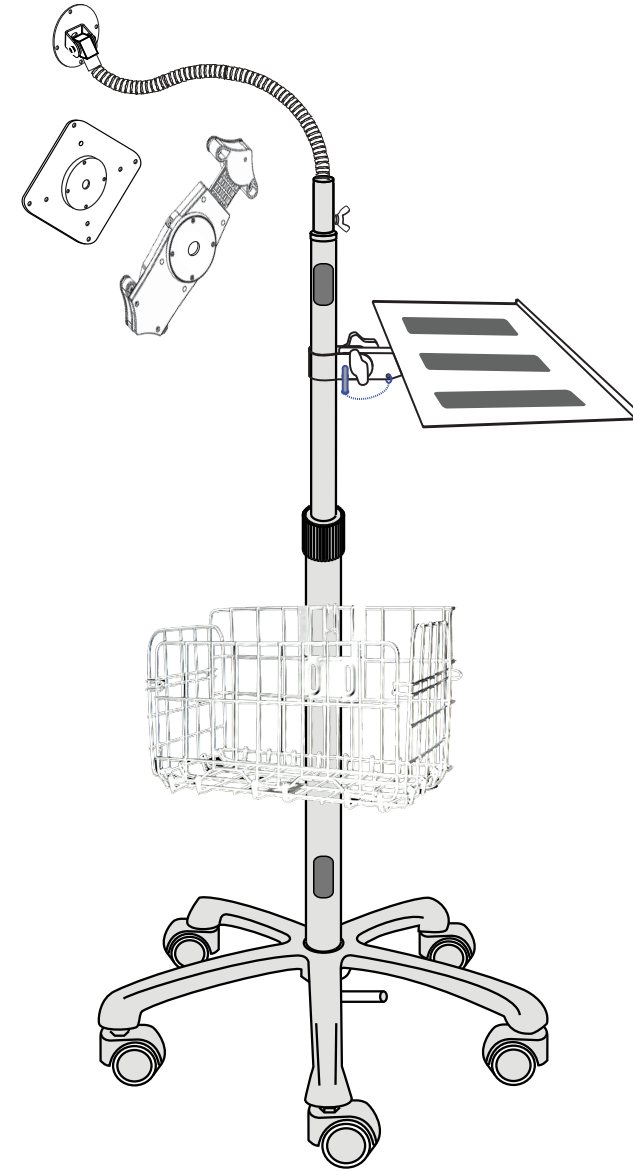




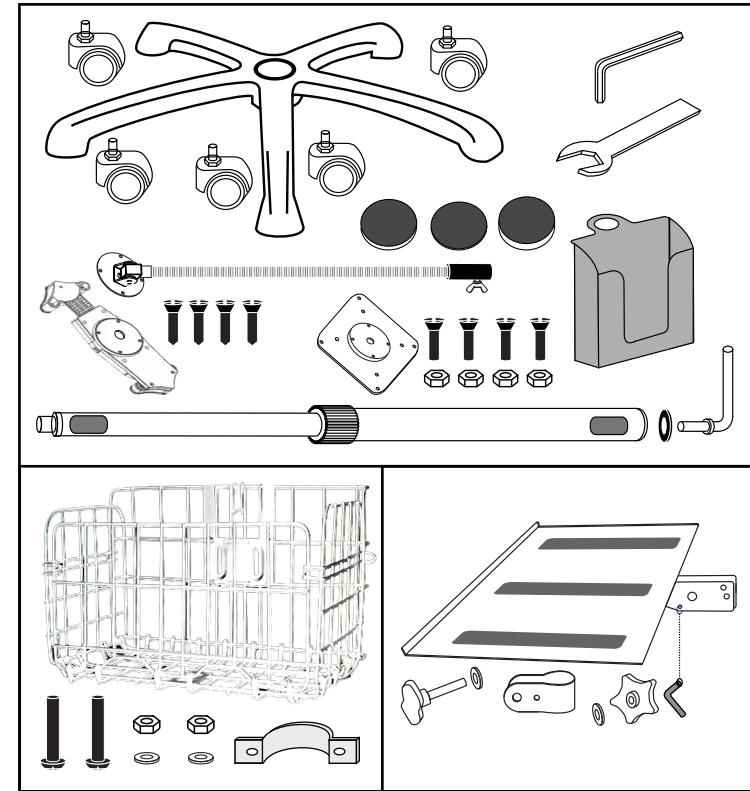
PAD-HFSVU

Heavy-Duty Gooseneck Floor Stand with VESA Plate and Storage Basket for 7-14 Inch Tablets

Thank you for choosing CTA Digital's product. We hope that you will enjoy using it. Please follow the guidelines and instructions as laid out in this instruction manual.

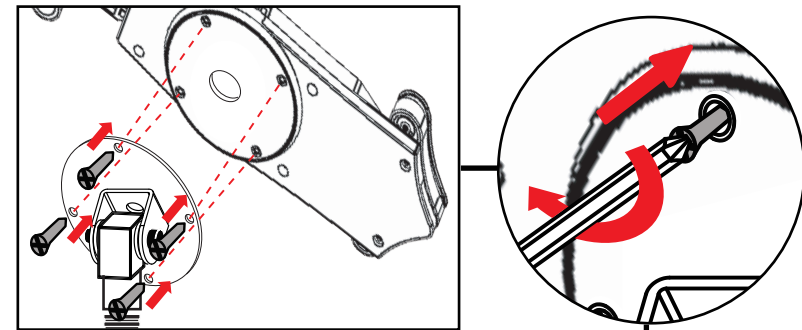


Package Contents:



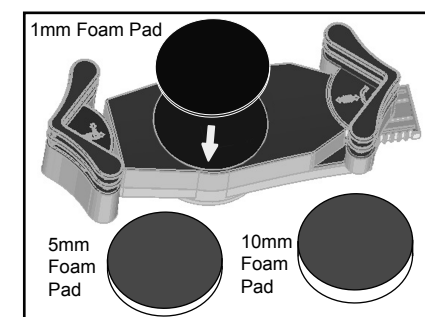
2).Connecting your Tablet Holder to Gooseneck

Align screws at gooseneck head with screw holes on back of tablet holder. Screw in place until tight.



Instructions:

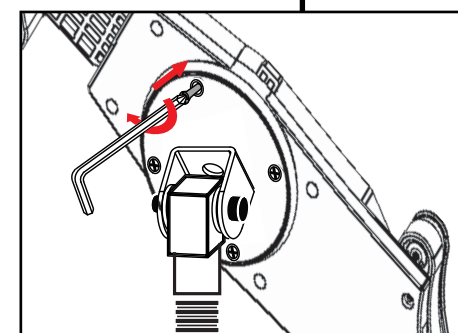
1).Attaching Foam Pad to Tablet Holder



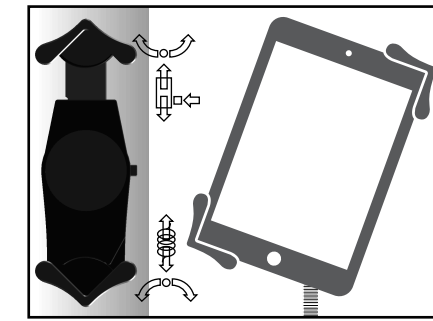
Use this table to determine the appropriate foam pad to use with your tablet. Note: sizes refer to total tablet size with or without a case.

Foam Pad Thickness	Tablet Thickness
1mm	0.67-1.06in / 17-27mm
5mm	0.51-0.91in / 13-23mm
10mm	0.31-0.71in / 8-18mm

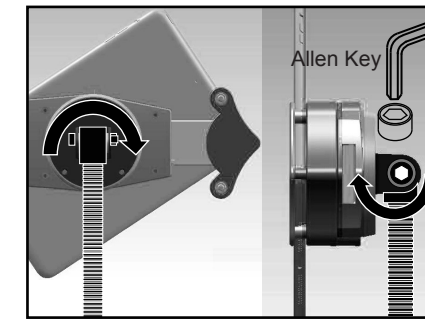
Select the appropriate foam pad according to the thickness of your tablet (or tablet in its case), then press adhesive side into center of the tablet holder.



3). Installing your Device and Adjusting your Tablet holder:

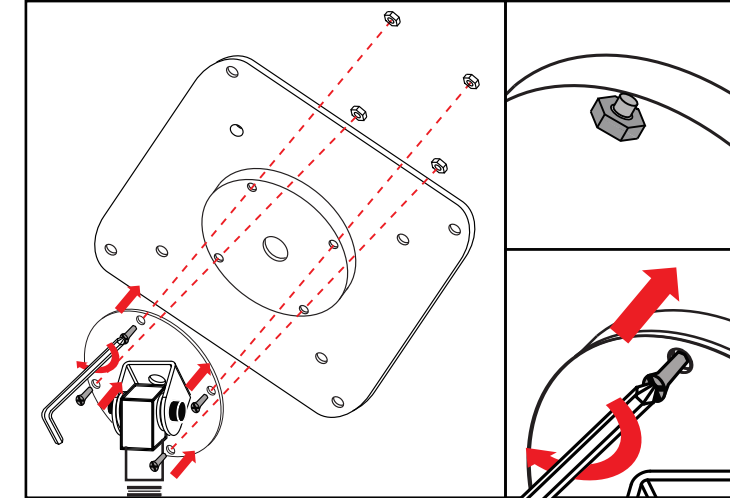


1. Press the button on the side of the holder center to slide out holder arm. Insert your tablet against the spring end, then slide the other arm back in, closing firmly.

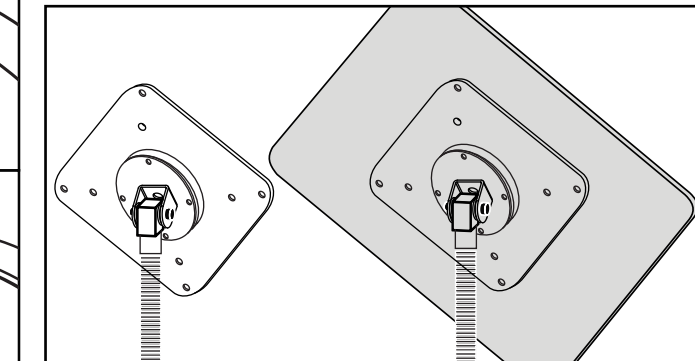


2. Tighten and loosen the gooseneck to holder connection screw to adjust ease of rotation.

2. How to Use the VESA Plate Adapter

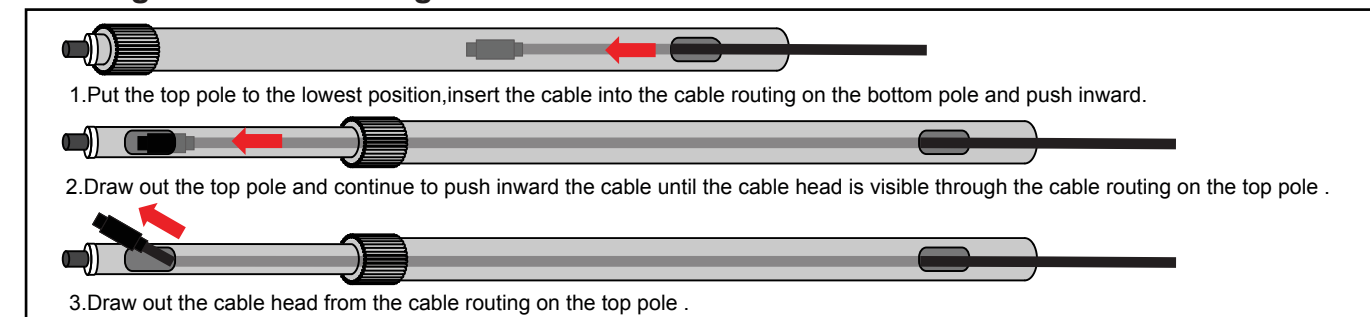


1.Align screw holes on gooseneck head with screw holes on the back of VESA plate then use screw driver to screw in place until tight.

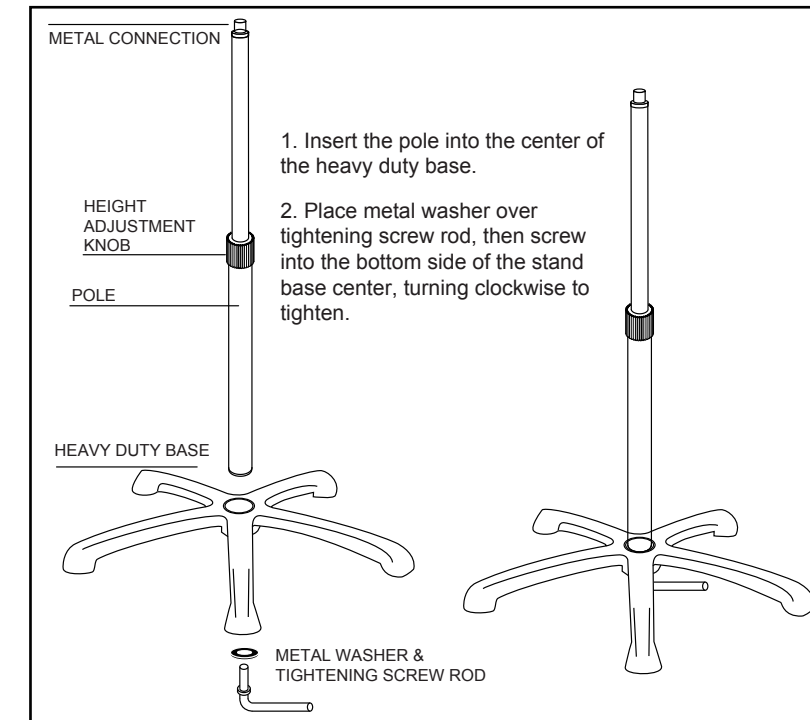


2.Connect the VESA plate to your device and you are ready to enjoy it. Note: do not use with TVs or PC Monitors. Maximum weight capacity:1.8kgs/3.6lbs.

3. Using the Cable Routing

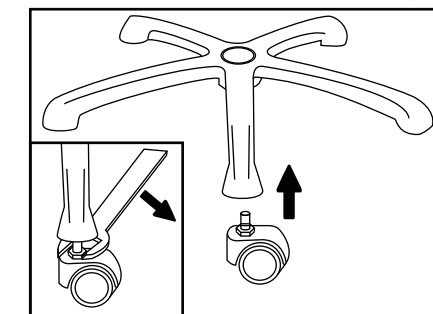


4. Stand Assembly:



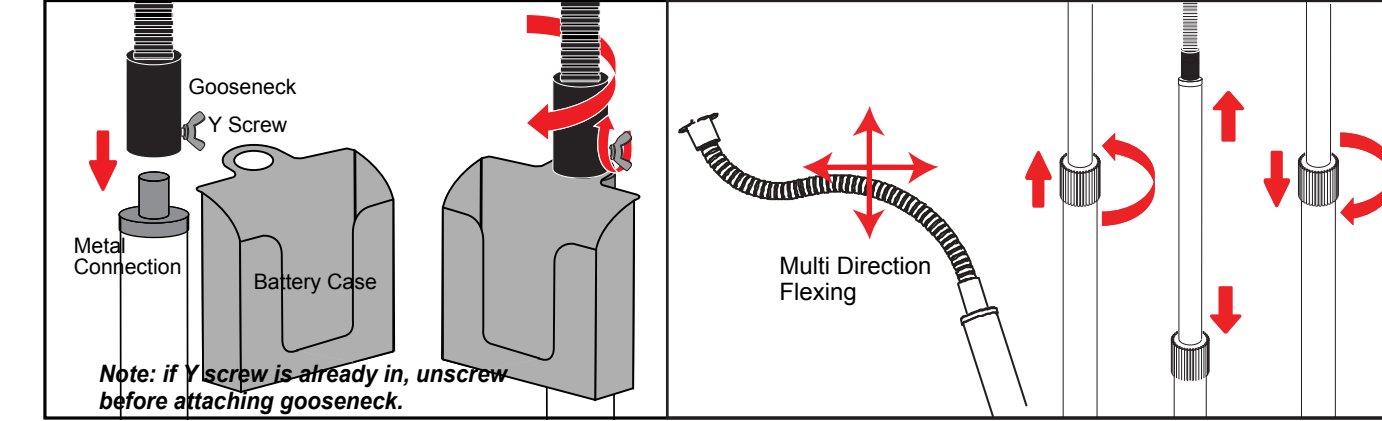
Attaching Wheels:

Connect wheels to stand base before attaching pole.



Screw wheels into floor base by hand, then use wrench to tighten.

5. Connecting the Battery Case and Gooseneck to the Pole and Adjusting.

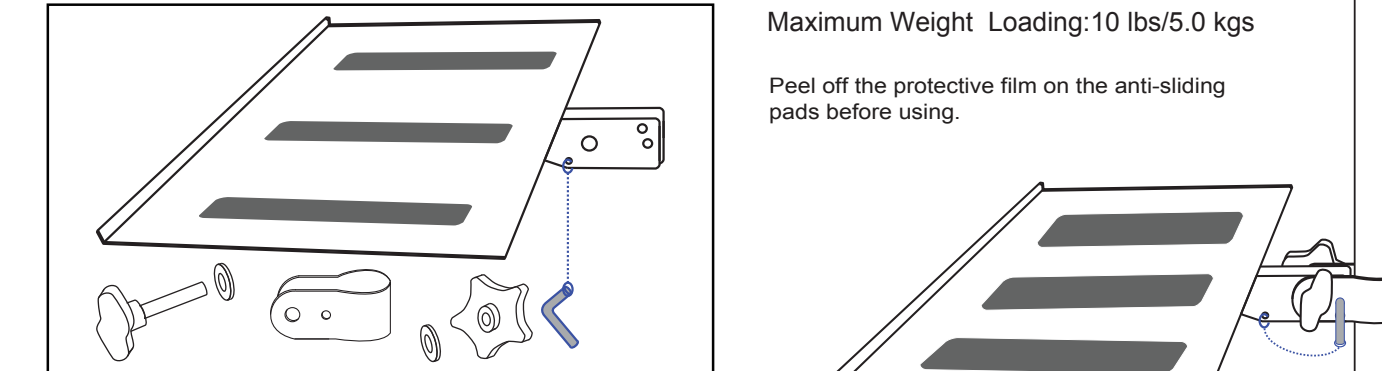


Note: if Y screw is already in, unscrew before attaching gooseneck.

Place battery pack cradle over top of the pole's metal connection. Screw gooseneck down onto metal connection by turning clockwise. Be sure that the battery case is on the opposite side of the pole as the Y screw. Turn the Y screw clockwise to tighten the connection.

Flex the Gooseneck to adjust the view angle. Turn plastic cover counter-clockwise and raise or lower the pole to desired height. Turn clockwise again to lock it in place.

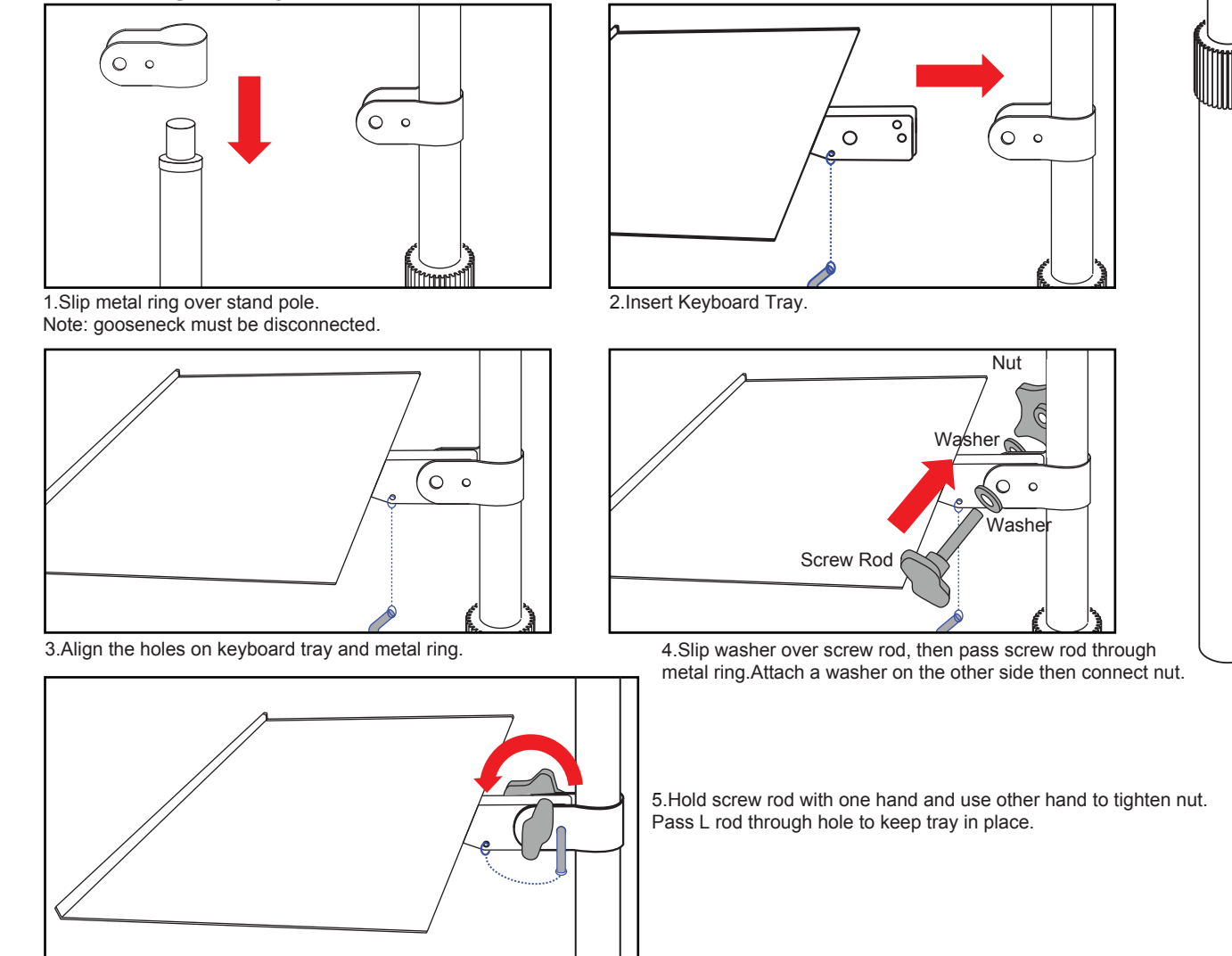
6.How to Use the Adjustable Keyboard Stand



Maximum Weight Loading:10 lbs/5.0 kgs

Peel off the protective film on the anti-sliding pads before using.

1).Installing the Keyboard Stand to the Floor Stands



1.Slip metal ring over stand pole. Note: gooseneck must be disconnected.

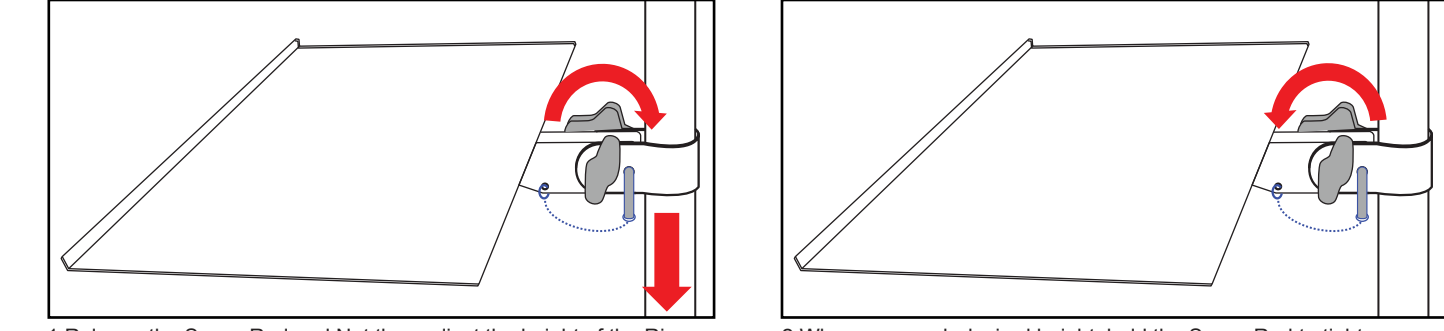
2.Insert Keyboard Tray.

3.Align the holes on keyboard tray and metal ring.

4.Slip washer over screw rod, then pass screw rod through metal ring.Attach a washer on the other side then connect nut.

5.Hold screw rod with one hand and use other hand to tighten nut. Pass L rod through hole to keep tray in place.

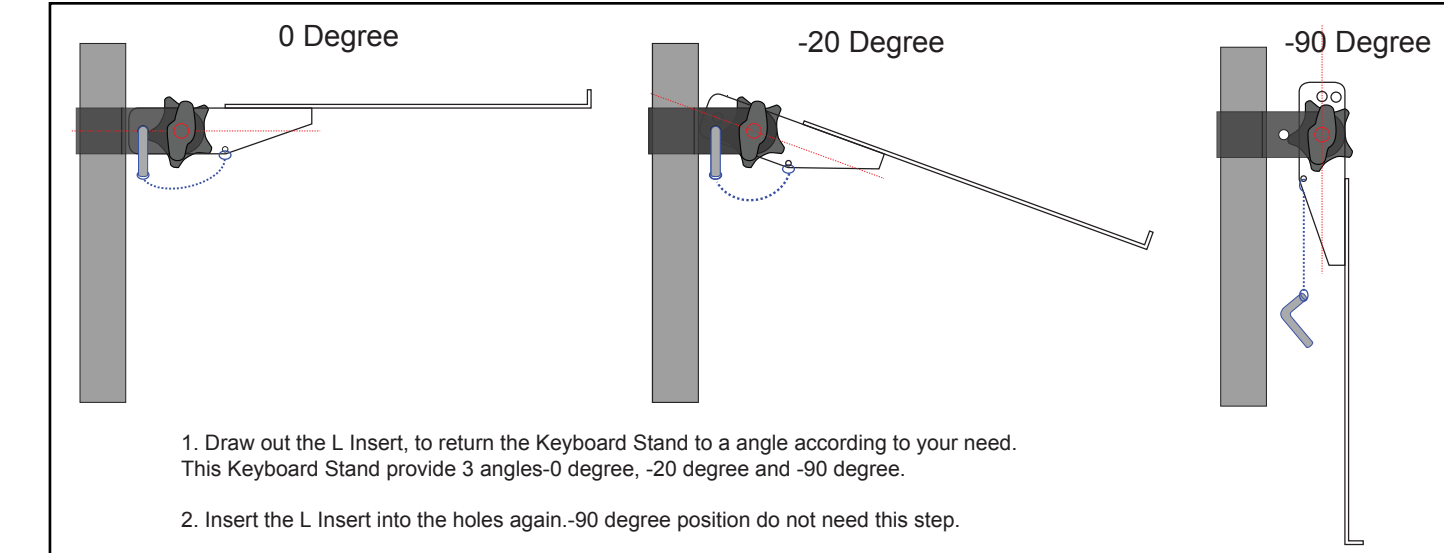
2).Adjusting the Keyboard Stand Height



1.Release the Screw Rod and Nut,then adjust the height of the Ring Piece and Keyboard Stand.

2.When you reach desired height, hold the Screw Rod to tighten

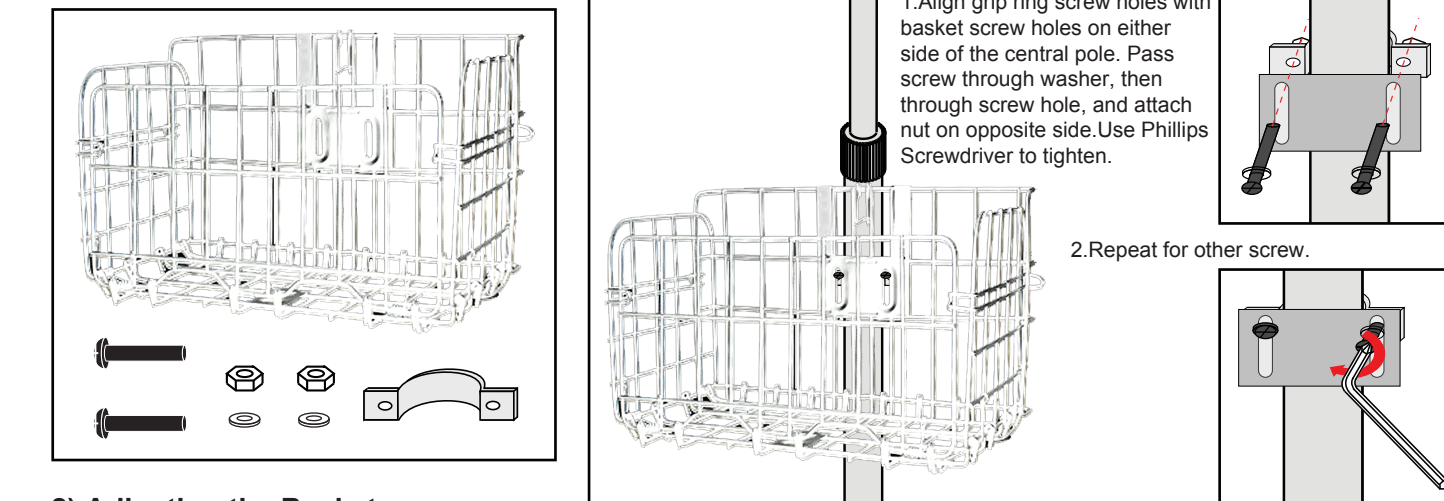
3).Adjusting the Keyboard Stand Angle



1. Draw out the L Insert, to return the Keyboard Stand to a angle according to your need. This Keyboard Stand provide 3 angles-0 degree, -20 degree and -90 degree.
2. Insert the L Insert into the holes again.-90 degree position do not need this step.

7.How to Use the Storage Basket

Maximum Weight Loading:20 lbs/10.0 kgs

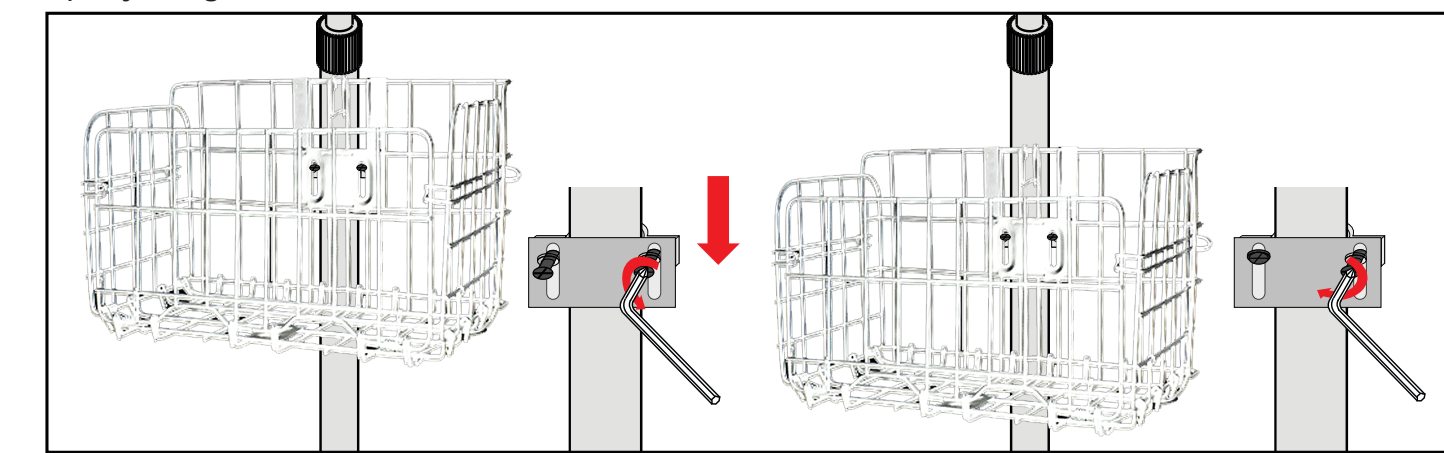


1).Installing the Basket to the Floor Stand Pole

1.Align grip ring screw holes with basket screw holes on either side of the central pole. Pass screw through washer, then through screw hole, and attach nut on opposite side.Use Phillips Screwdriver to tighten.

2.Repeat for other screw.

2).Adjusting the Basket



Loosen the screws with the screwdriver,adjust the height of the Basket,then tighten the screws again.

SUPPORT@CTADIGITAL.COM