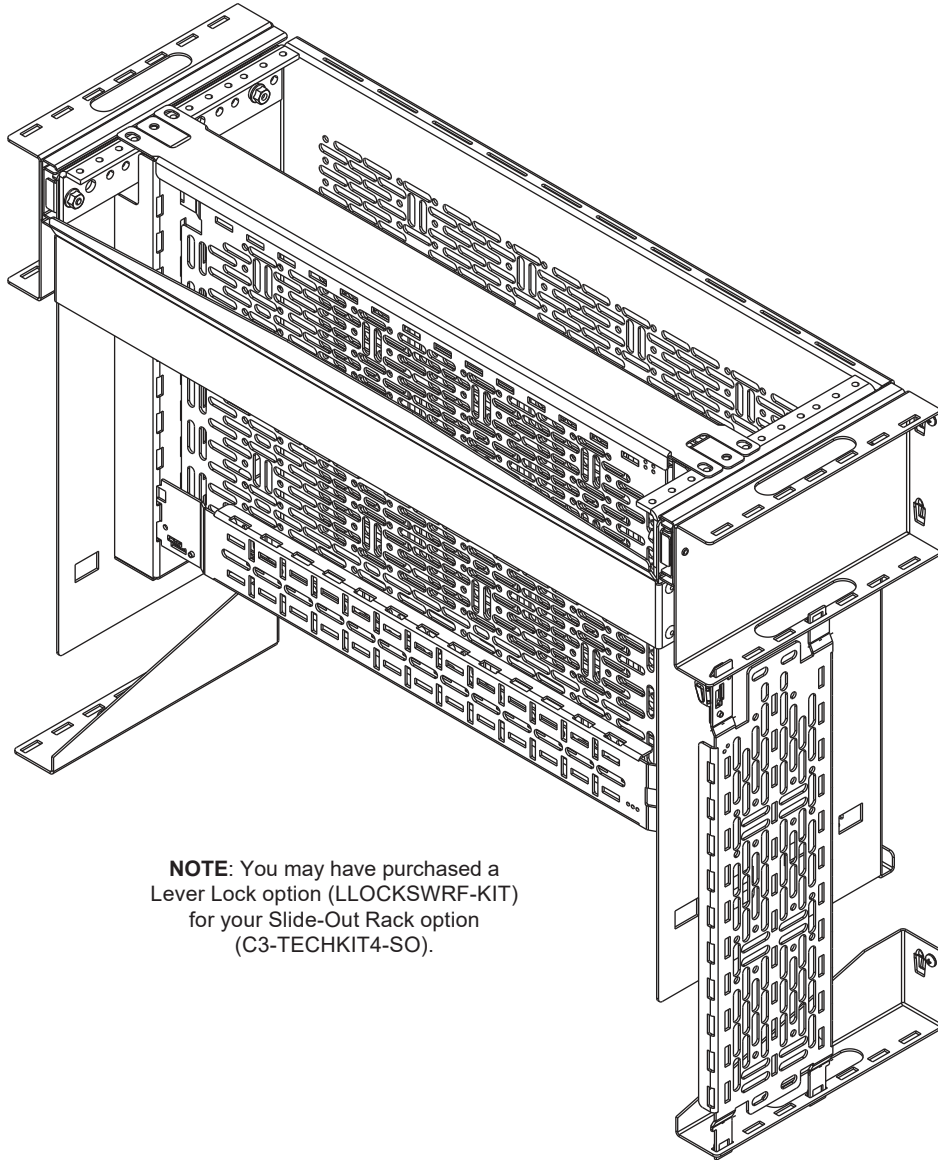


INSTRUCTION SHEET

C3 SERIES

SLIDE-OUT RACK (C3-TECHKIT4-SO) AND LEVER LOCK™ (LLOCKSWRF-KIT) OPTIONS



NOTE: You may have purchased a
Lever Lock option (LLOCKSWRF-KIT)
for your Slide-Out Rack option
(C3-TECHKIT4-SO).

THANK YOU

Thank you for purchasing a C3 Series Slide-Out Rack option. Please read these instructions thoroughly before installing or assembling this product.

IMPORTANT SAFETY INSTRUCTIONS

- Read these instructions.
- Heed all warnings.
- Clean only with dry cloth.
- Keep these instructions.
- Follow all instructions.
- Only use attachments/accessories specified by the manufacturer.



DANGER HAZARDOUS VOLTAGE: The lightning flash with the arrowhead symbol, within an equilateral triangle is intended to alert the user to the presence of uninsulated dangerous voltage within the product's enclosure that may be of sufficient magnitude to constitute a risk of electric shock to persons.



WARNING: A warning alerts you to a situation that could result in serious personal injury or death.



CAUTION: A caution alerts you to a situation that may result in minor personal injury or damage to the product and/or property.

NOTE: A note is used to highlight procedures pertaining to the installation, operation, or maintenance of the product.



WARNING: Failure to read, understand and follow the following information can result in serious personal injury, damage to the equipment or voiding of the warranty. It is the responsibility of the Installer/User to ensure that this product is loaded according to specifications.



WARNING: Middle Atlantic Products, electrical systems conform to and should be properly grounded in compliance with requirements of the current National Electrical Code or codes administered by local authorities. All electrical products may present a possible shock or fire hazard if improperly installed or used. Electrical products may bear the mark of a Nationally Recognized Testing Laboratory (NRTL) and should be installed in conformance with current local and/or the National Electrical Code.



WARNING: Exceeding the weight ratings on page 4 can result in serious injury or damage to the equipment. It is the responsibility of the Installer/User to ensure the components installed do not surpass the weight ratings as an unstable condition can occur which may cause possible injury or damage.



CAUTION: If there is visible damage on the product, it must not be installed.



CAUTION: Safety measures must be practiced at all times during the assembly of this product. Use proper safety equipment and tools for the assembly procedure to prevent personal injury.



CAUTION: Note that during construction, there must be no possibility of personal injury, for example the squeezing of fingers or arms.



CAUTION: For loading, always put heavier items at the bottom of the bays, not near the top, in order to help prevent the possibility of the furnishing tipping over.



CAUTION: The appliance is not intended for use by young children or infirm persons without supervision.

Safety Instructions: Rack Mount

Elevated Operating Ambient: If installed in a closed or multi-unit rack assembly, the operating ambient temperature of the rack environment may be greater than room ambient. Therefore, consideration should be given to installing the equipment in an environment compatible with the maximum ambient temperature (T_{ma}) specified by the manufacturer.

Reduced Air Flow: Installation of the equipment in a rack should be such that the amount of air flow required for safe operation of the equipment is not compromised.

Mechanical Loading: Mounting of the equipment in the rack should be such that a hazardous condition is not achieved due to uneven mechanical loading.

Circuit Overloading: Consideration should be given to the connection of the equipment to the supply circuit and the effect that overloading of the circuit might have on overcurrent protection and supply wiring. Appropriate consideration of equipment nameplate ratings should be used when addressing this concern.

Reliable Earthing: Reliable earthing of rack-mounting equipment should be maintained. Particular attention should be given to supply connections other than direct connections to the branch circuit (e.g. use of power strips).

Disconnect Device (Pluggable Equipment): The socket-outlet shall be installed near the equipment and shall be easily accessible.

INSTRUCTIONS IMPORTANTES SUR LA SÉCURITÉ

- Lire ces instructions.
- Respectez tous les avertissements.
- Nettoyer uniquement avec un chiffon sec.
- Conservez ces instructions.
- Suivez toutes les instructions.
- N'utilisez que des accessoires spécifiés par le fabricant.



DANGER TENSION DANGEREUSE: Le symbole de la pointe de flèche, dans un triangle équilatéral, est destiné à alerter l'utilisateur sur la présence de tension dangereuse non isolée dans l'enceinte du produit qui peut être d'une ampleur suffisante pour constituer un risque d'électrocution.



AVERTISSEMENT: Un avertissement vous avertit d'une situation pouvant entraîner des blessures graves ou la mort.



ATTENTION: Une attention vous avertit d'une situation pouvant entraîner des blessures mineures ou des dommages au produit et/ou à la

REMARQUE: Une remarque est utilisée pour mettre en évidence les procédures relatives à l'installation, au fonctionnement ou à l'entretien du produit.



AVERTISSEMENT: Refus de lire, comprendre et suivre la renseignements suivants peut traduire par de graves blessures, des dommages à l'équipement ou invalider la garantie. Il est la responsabilité de l'installateur/utilisateur de s'assurer que ce produit est chargé conformément aux spécifications.



AVERTISSEMENT: Les produits Middle Atlantic, les systèmes électriques sont conformes et doivent être correctement mis à la terre conformément aux exigences du Code national de l'électricité en vigueur ou aux codes administrés par les autorités locales. Tous les produits électriques peuvent présenter un risque d'électrocution ou d'incendie s'ils sont mal installés ou utilisés. Les produits électriques peuvent porter la marque d'un laboratoire d'essais reconnu au niveau national (NRTL) et doivent être installés conformément au code électrique local et/ou national en vigueur.



AVERTISSEMENT: Le dépassement des notes de poids à la page 4 peut entraîner des blessures graves ou des dommages à l'équipement. C'est l'responsabilité de l'installateur/utilisateur de s'assurer que les composants installé ne dépassent pas les notes de poids comme un instable condition peut se produire qui peut causer des blessures ou dommages.



ATTENTION: S'il ya des dommages visibles sur le produit, il ne doit pas être installé.



ATTENTION: Des mesures de sécurité doivent être mises en œuvre en tout temps lors de l'assemblage de ce produit. Utiliser un équipement et des outils de sécurité appropriés pour la procédures de afin d'éviter les blessures.



ATTENTION: Notez que pendant la construction, il ne doit pas y avoir de risque de blessure, comme par exemple le écraser des doigts ou des bras.



ATTENTION: Pour le chargement, placez toujours des articles plus lourds au bas des baies, pas près du sommet, afin d'éviter la possibilité de basculement de l'ameublement.



ATTENTION: L'appareil n'est pas destiné à être utilisé par des enfants en bas âge ou des personnes infirmes sans surveillance.

Consignes de sécurité: montage en rack

Température de fonctionnement élevée: Si installé dans un rack fermé ou à unités multiples, la température ambiante de fonctionnement de l'environnement du rack peut être supérieure à ambiante de la pièce. Par conséquent, il faudrait envisager d'installer l'équipement dans un environnement compatible avec la température ambiante maximale (T_{ma}) spécifiée par le constructeur.

Réduction Air accréditives: Installation de l'équipement dans un rack doit être telle que la quantité de flux d'air nécessaire au bon fonctionnement de l'équipement ne soit pas compromise.

Chargement mécanique: Le montage de l'équipement dans le rack doit être telle qu'une condition dangereuse ne lié à un chargement mécanique irrégulier.

Surcharge des circuits: Il faudrait envisager à la connexion de l'équipement au circuit d'alimentation et l'effet que la surcharge du circuit pourrait avoir sur la protection contre les surintensités et le câblage d'alimentation. Examen approprié des équipements évaluations de la plaque signalétique doit être utilisée pour traiter de cette préoccupation.

Mise à la terre fiable: Fiable mise à la terre de l'équipement de montage en rack doit être maintenue. Une attention particulière devrait être accordée aux connexions d'alimentation autres que les connexions directes vers le circuit de dérivation (par exemple de l'utilisation de bandes de puissance).

Appareil Disconnect (Équipement Pluggable): La prise de courant doit être installée à proximité du matériel et doit être facilement accessible.

WEIGHT RATINGS

Model Number	Weight Rating
C3 1-Bay 24" (610 mm) and 32" (813 mm) Height	75 lbs. (34 kg) Per Bay, 25 lbs. (11 kg) On Top, 100 lbs. (45 kg) Maximum Total Rated Load
C3 2-Bay 24" (610 mm) and 32" (813 mm) Height	75 lbs. (34 kg) Per Bay, 50 lbs. (23 kg) On Top, 200 lbs. (91 kg) Maximum Total Rated Load
C3 3-Bay 24" (610 mm) and 32" (813 mm) Height	75 lbs. (34 kg) Per Bay, 75 lbs. (34 kg) On Top, 300 lbs. (136 kg) Maximum Total Rated Load
C3 4-Bay 24" (610 mm) and 32" (813 mm) Height	75 lbs. (34 kg) Per Bay, 100 lbs. (45 kg) On Top, 400 lbs. (181 kg) Maximum Total Rated Load
Slide-Out Rack Option (C3-TECHKIT4-SO)	75 lbs. (34 kg) Maximum Total Rated Load
Fixed Rack Option (C3-TECHKIT4-ST)	75 lbs. (34 kg) Maximum Total Rated Load
Shelf Kit Option (C3-SHELFKIT, Weight Per Shelf)	30 lbs. (14 kg) Maximum Total Rated Load
Display Mount Option (C3-XX-LDXU, Weight Per Screen)	125 lbs. (57 kg) Maximum Total Rated Load



WARNING: This product is intended for use only with the products and maximum weights indicated. Use with other products or products heavier than the maximum weights indicated may result in instability causing possible injury. Total equipment weight must not exceed the amounts indicated on the previous table.

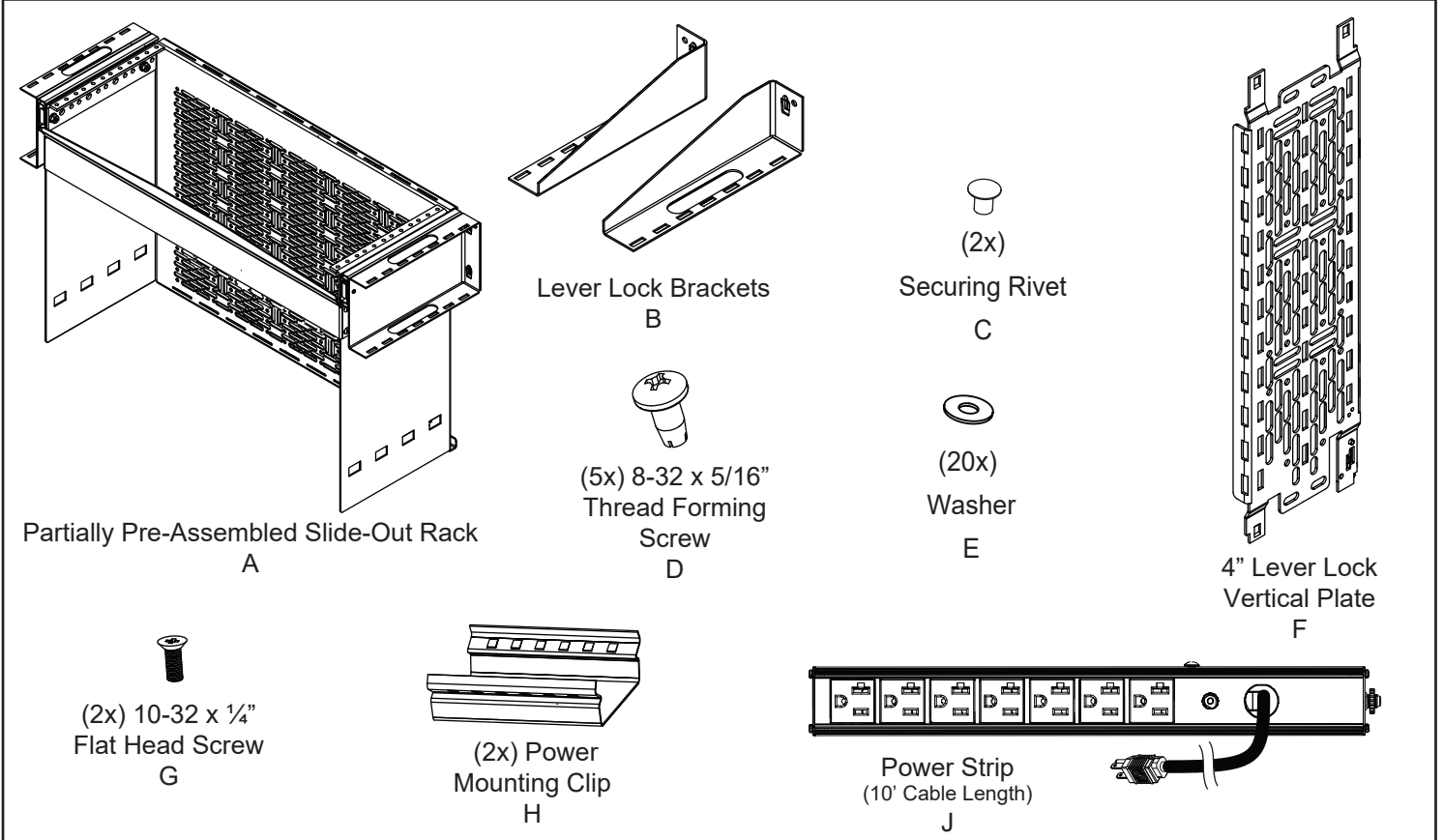


AVERTISSEMENT: Ce produit est destiné à être utilisé uniquement avec les produits et les poids maximum indiqués. L'utilisation avec d'autres produits ou produits plus lourds que le poids maximum indiqué peut entraîner une instabilité pouvant causer des blessures. Le poids total de l'équipement ne doit pas dépasser les quantités indiquées dans le tableau précédent.

SUPPLIED COMPONENTS AND HARDWARE

If any pieces are missing or damaged, please report it immediately to Technical Support at av.support@legrand.com or (866) 977-3901.

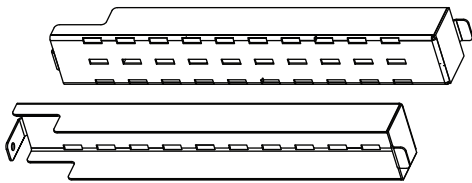
SLIDE-OUT RACK OPTION (C3-TECHKIT4-SO)



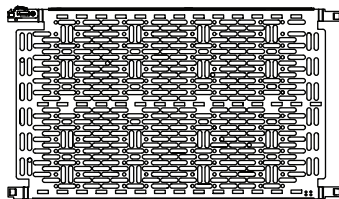
SUPPLIED COMPONENTS AND HARDWARE (CONTINUED)

LEVER LOCK™ OPTION (LLOCKSWRF-KIT)

NOTE: You may have purchased a Lever Lock option (LLOCKSWRF-KIT) for your Slide-Out Rack Option (C3-TECHKIT4-SO).



Lever Lock
Adapter Brackets
K



10" Lever Lock
Vertical Plate
N



(6x) 10-32 x 3/4"
Truss Screw With
Washer
L



(2x)
2" Lever Lock
Vertical Channel
M



(6x)
Securing Rivet
P



(20x)
Washer
R



Face After Panel
S

NOTE:

- To order more hardware, contact support at av.support@legrand.com or (866) 977-3901.
- Additional hardware is included that may not be required for your installation.

REQUIRED TOOLS

- Protective Eyewear
- Power Driver
- Rubber Mallet
- #2 Phillips Screwdriver
- #2 Phillips Bit



WARNING: Use tools with caution and follow all necessary safety protocols.

AVERTISSEMENT: Utiliser des outils avec prudence et suivre tous les protocoles de sécurité nécessaires.

INTRODUCTION

NOTE:

- Only use this instruction sheet to install your C3 Series Slide-Out Rack option after you refer to the C3 Series Credenza Frame instruction sheet (100-00032) and secure the frame to your wall.
- If your installation includes a purchased fan kit and/or a large cover option (for your purchased display option), after installing this and any other options you may have purchased for your credenza, refer to the C3 Series WoodKit instruction sheet (100-00040) to install your woodkit, and then refer to the C3 Series Fan Kit (C3-FANKIT) instruction sheet (100-00039) and/or C3 Series Display Mount Large Cover Option instruction sheet (100-00035) to install your fan kit and/or your large cover option, respectively. Kits and options other than the fan kit and large cover option should be installed before your woodkit is attached to the frame.
- This instruction sheet first covers installing the power strip mounting clips (into the same bay you're installing the slide-out rack) and then covers installing the slide-out rack itself. The power strip should only be installed into the clips after the woodkit is attached to the frame. For more information, refer to "Installing Power Strip Into Mounting Clips" on page 10 of the C3 Series WoodKit instruction sheet (100-00040).
- Instruction sheets may also be accessed at www.middleatlantic.com.

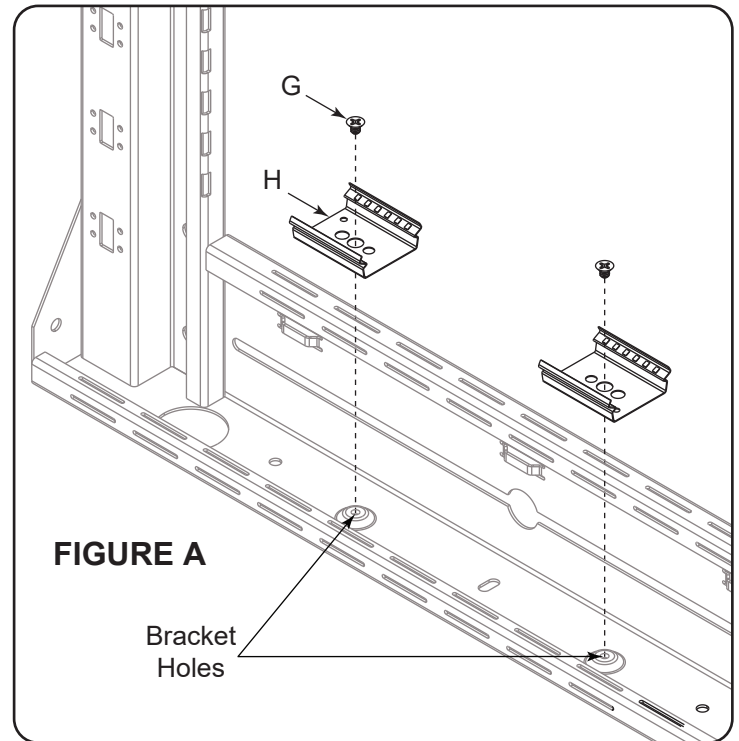
INSTALLING THE POWER STRIP MOUNTING CLIPS INSIDE THE FRAME

NOTE:

- Consider power receptacles on the wall and power requirements when deciding which bay (for non-1-bay models) to install your power strip.
- If using power driver, verify the torque is on the lightest setting and only increase as necessary.
- Use power driver and #2 Phillips bit or #2 Phillips screwdriver and a flat head screw (G) to secure each power mounting clip (H) to the bracket holes on the bottom of the frame. (FIGURE A)

NOTE: Set power strip (J) aside and only install after the woodkit is attached to the frame.

For more information, refer to the C3 Series WoodKit instruction sheet (100-00040).



INSTALLING THE SLIDE-OUT RACK OPTION (C3-TECHKIT4-SO)

TIP: After installing the slide-out rack option, you can remove the rack from the sliders, dress your rack on a close bench or table, and then re-attach your rack onto the sliders. Remove the slide-out rack from the sliders using the first step in “Installing Lever Lock™ Option (LLOCKSWRF-KIT) Inside Slide-Out Rack Option” on page 9.

1. Set power strip (J) aside and only install after the woodkit is attached to the frame. For more information, refer to the C3 Series WoodKit instruction sheet (100-00040).
2. Hook the shovel lances on the brackets of the partially pre-assembled slide-out rack (A) into the rectangular set of holes on the frame (shaded) as shown. (FIGURE B)

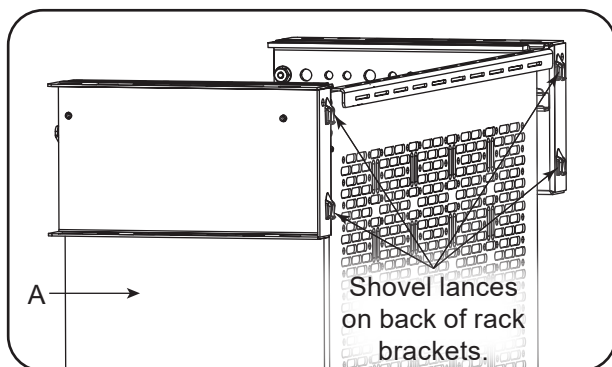
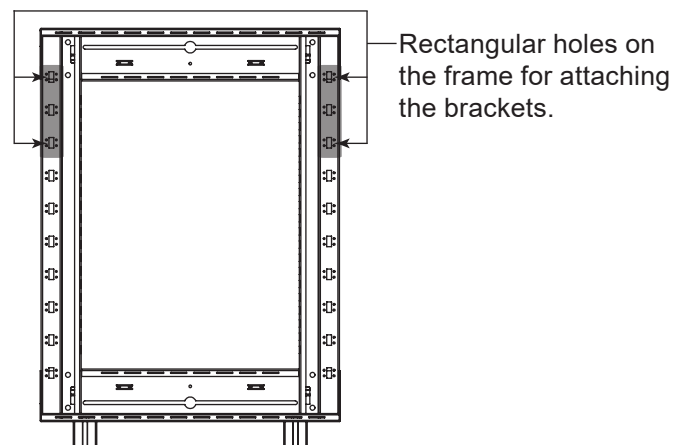


FIGURE B

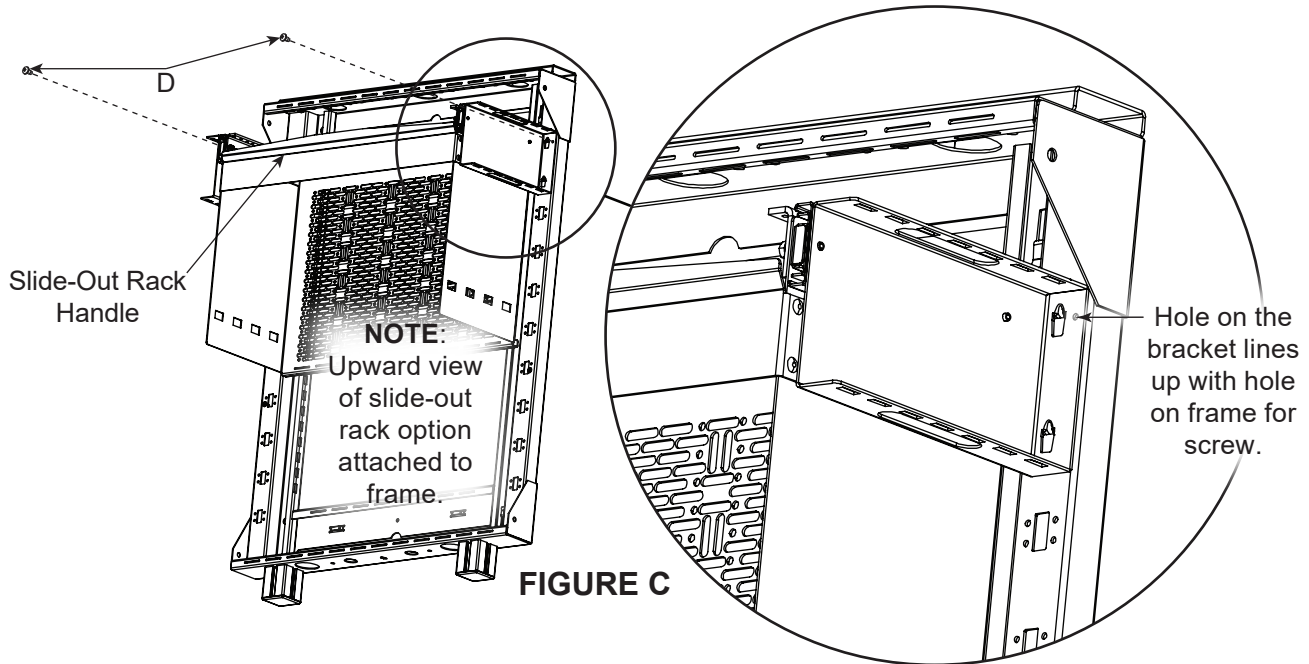


INSTALLING THE SLIDE-OUT RACK OPTION (C3-TECHKIT4-SO, CONTINUED)

3. With the shovel lances hooked in the holes, push downward on the brackets until the rack locks into place.

NOTE: Verify the torque on your power driver is on the lightest setting and only increase as necessary.

4. Use a power driver, #2 Phillips bit, and (2x) 8-32 x 5/16" thread forming screws (D) to secure the rack's brackets to the frame as shown. **(FIGURE C)**

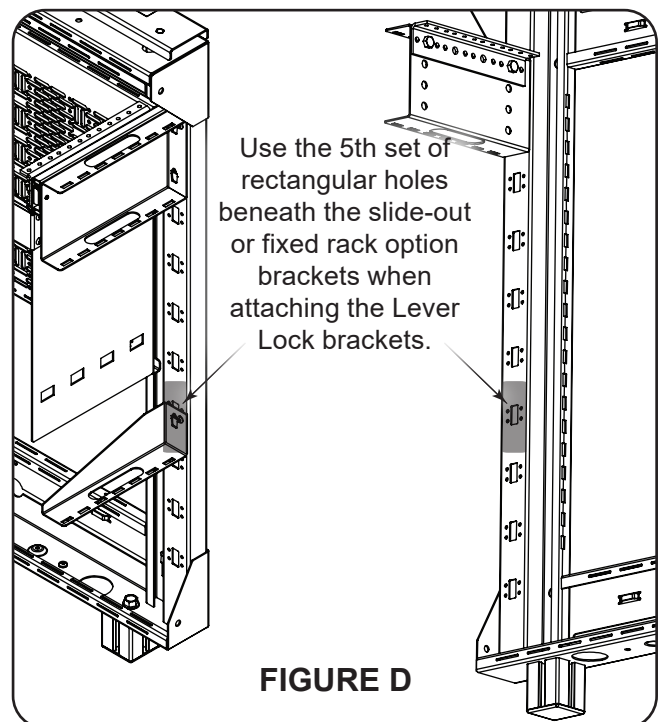
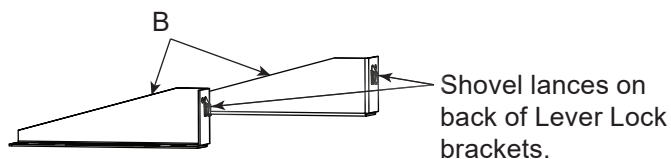


INSTALLING LEVER LOCK™ BRACKETS OUTSIDE OF RACK OPTIONS

NOTE:

- Lever Lock™ brackets are installed outside of both the Slide-Out Rack (C3-TECHKIT4-SO) and Fixed Rack (C3-TECHKIT4-ST) options. This topic shows the Slide-Out Rack, but the procedure is the same for the Fixed Rack.
- Lever Lock brackets (L or AD) and 8-32 x 5/16" thread forming screws (N or AF) are provided for both the Slide-Out Rack (C3-TECHKIT4-SO) and Fixed Rack (C3-TECHKIT4-ST) options.

1. Hook the shovel lances on the Lever Lock brackets (B) into the 5th set of rectangular holes on the frame (shaded) beneath the slide-out or fixed brackets as shown. **(FIGURE D)**

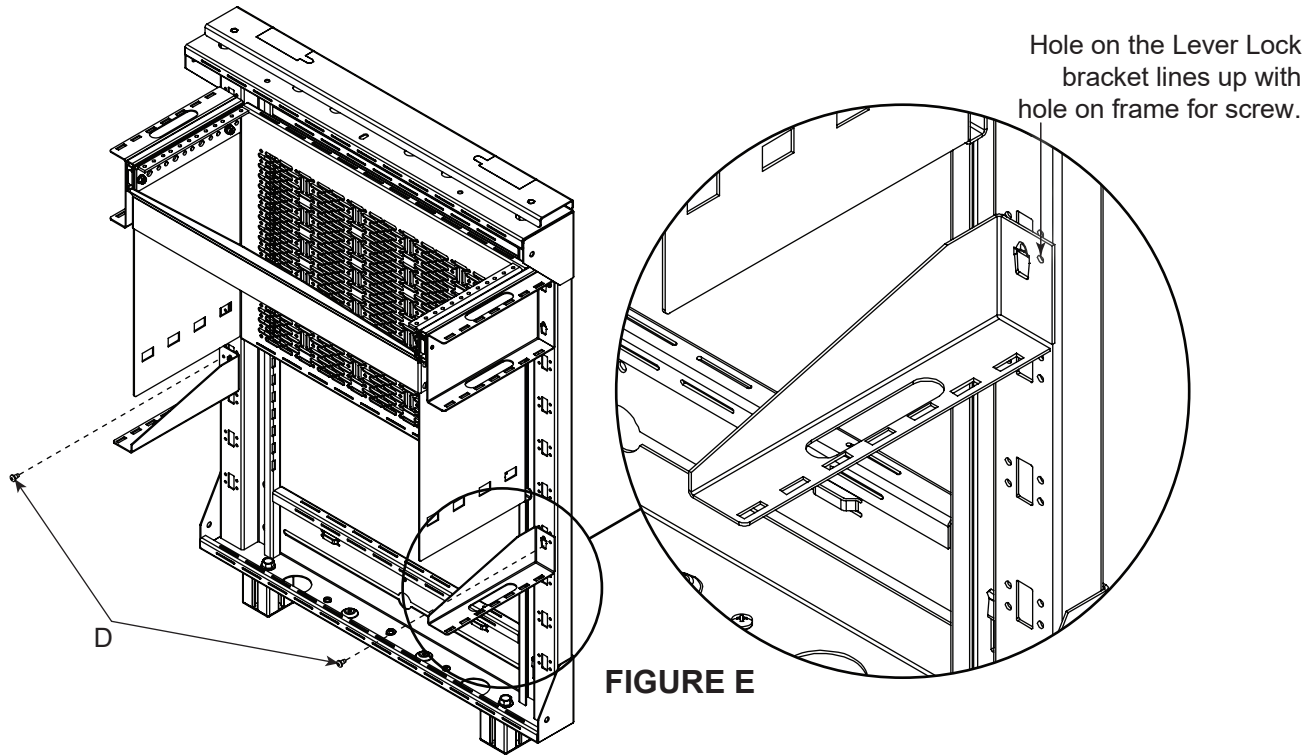


INSTALLING LEVER LOCK™ BRACKETS OUTSIDE OF RACK OPTIONS

2. With the shovel lances hooked in the holes, push downward on the brackets until they lock into place.

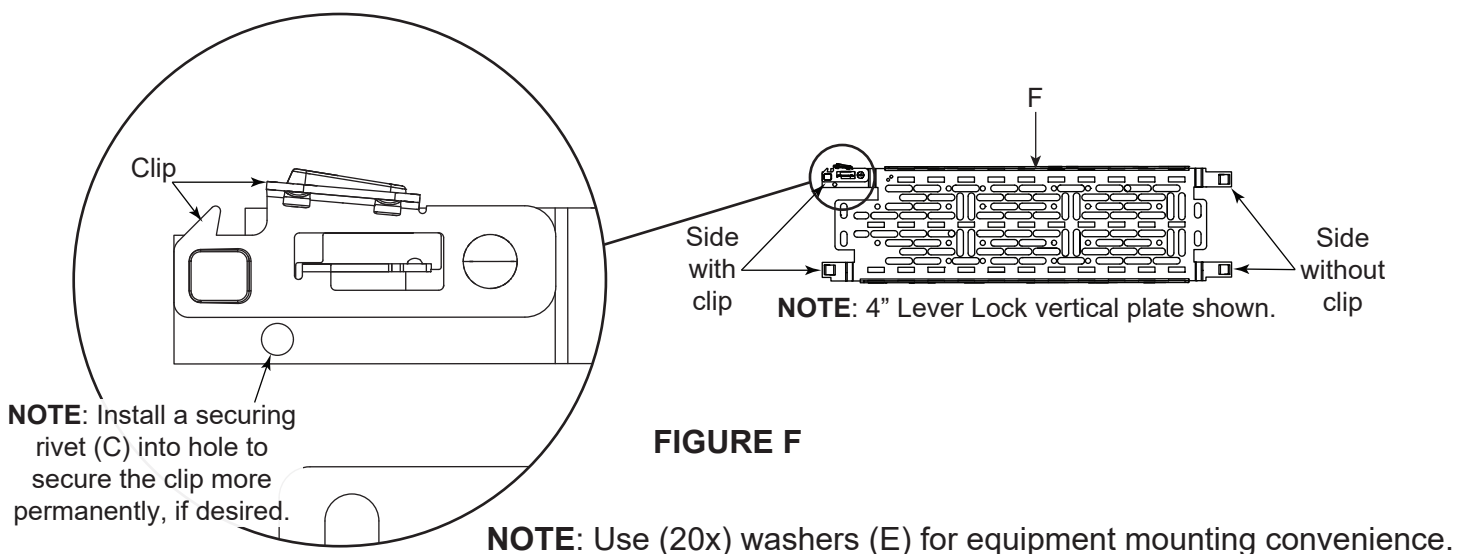
NOTE: Adjust torque on power driver to lightest setting and increase as needed.

3. Use a power driver, #2 Phillips bit, and (2x) 8-32 x 5/16" thread forming screws (D) to secure the Lever Lock brackets (L or AD) to the frame as shown. (**FIGURE E**)



INSTALLING LEVER LOCK™ PLATES OUTSIDE OF RACK OPTIONS

• Attach the 4" Lever Lock vertical plate (F) by installing the side without the clip into the brackets first. Then, install the side with the clip into the other bracket until it clicks into place. (**FIGURE F**)



INSTALLING LEVER LOCK OPTION (LLOCKSWRF-KIT) INSIDE SLIDE-OUT RACK OPTION

NOTE: The Lever Lock option requires the purchase of the Slide-Out Rack Option (C3-TECHKIT4-SO).

1. Remove your slide-out rack (A) from the brackets by pulling the rack into the open position, pushing down on the lever inside the left track and pulling up on the lever inside the right track while carefully lifting the rack off the brackets. (**FIGURE G**)

NOTE:

- Shaded region shows inside of track mechanism.
- Push down on the lever inside the left track and pull up on the lever inside the right track while carefully lifting the rack off the brackets.

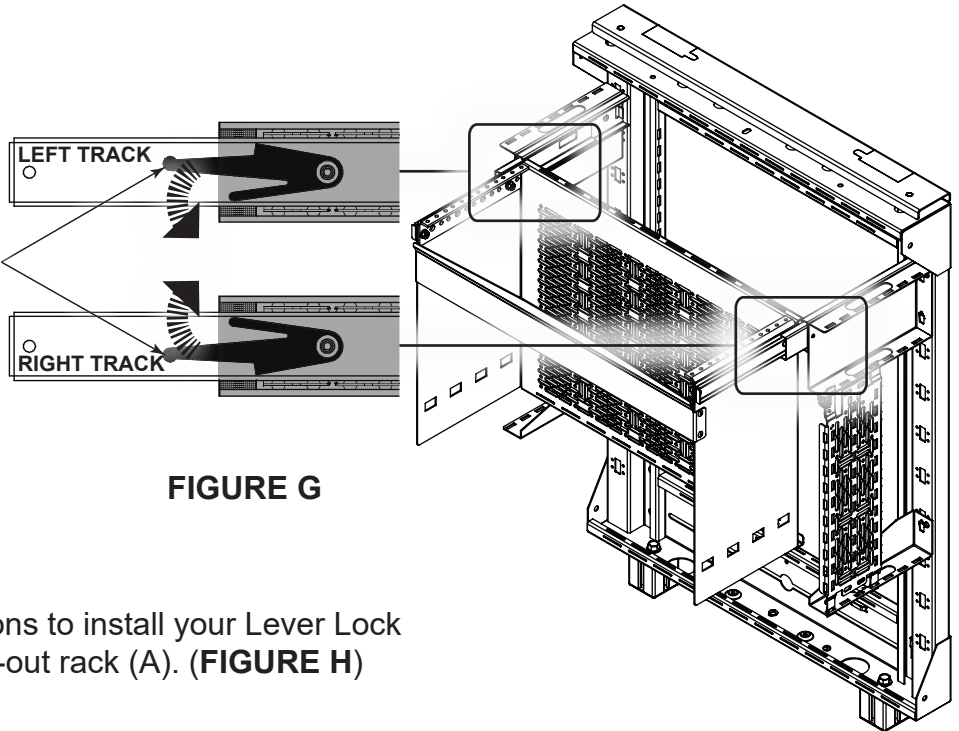


FIGURE G

2. Choose from the following positions to install your Lever Lock adapter bracket (V) into the slide-out rack (A). (**FIGURE H**)

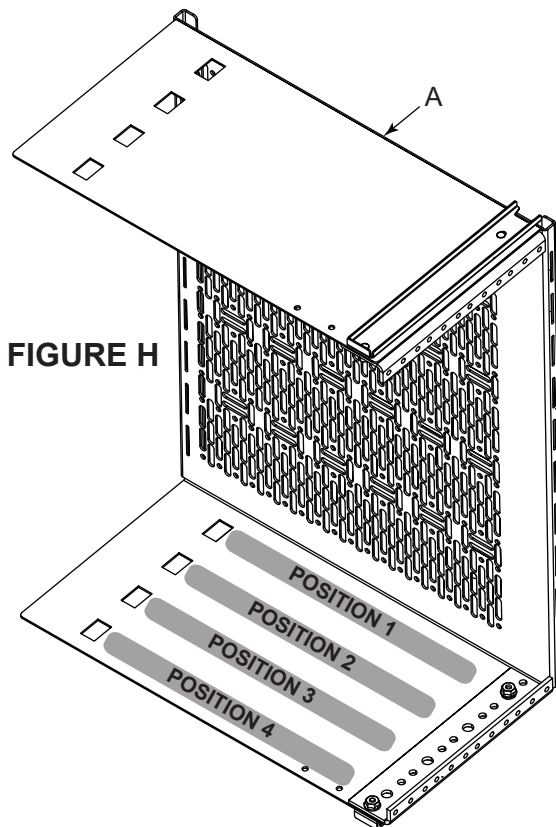
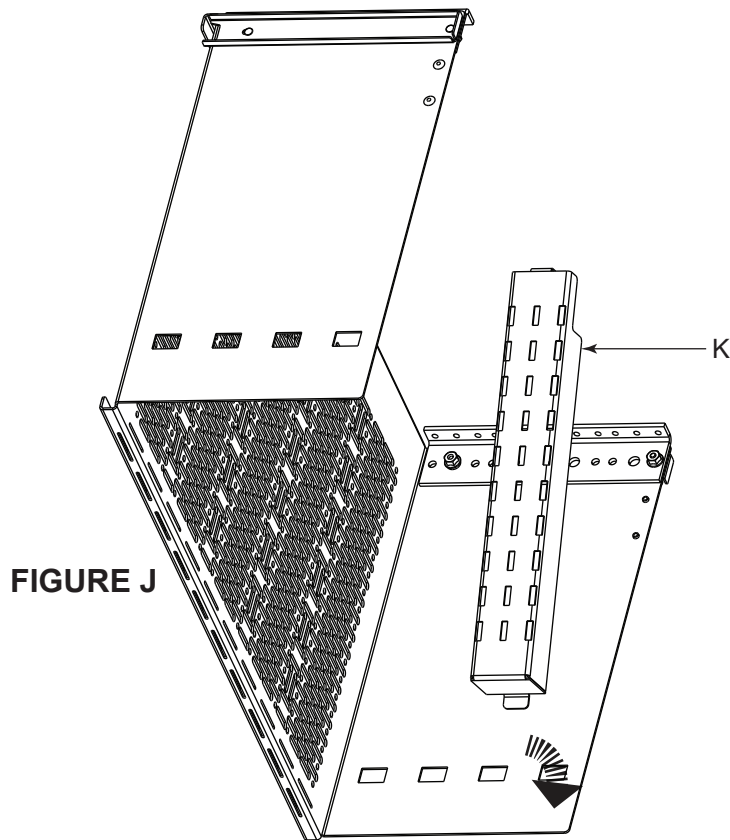


FIGURE H

NOTE: Rack isolated and handle removed for clarity.

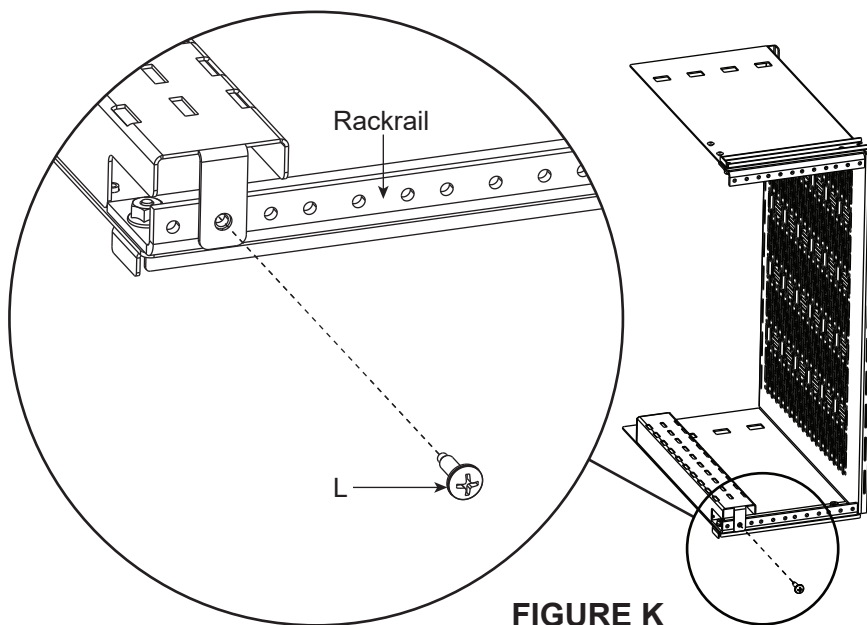
INSTALLING LEVER LOCK OPTION INSIDE SLIDE-OUT RACK (CONTINUED)

3. Insert the tab on the end of the Lever Lock adapter bracket (K) into the opening of your selected position. (FIGURE J)



NOTE: Verify the torque on your power driver is on the lightest setting and only increase as necessary.

4. Use a power driver and a 10-32 x $\frac{3}{4}$ " truss screw with washer (L) to secure the Lever Lock adapter bracket to the rackrail. (FIGURE K)



INSTALLING LEVER LOCK OPTION INSIDE SLIDE-OUT RACK (CONTINUED)

5. Repeat the process to install the second Lever Lock adapter bracket (K) in the same position as the first, but on the opposite side of the rack. **(FIGURE L)**

NOTE: There are 3 different depths available on the Lever Lock adapter brackets.

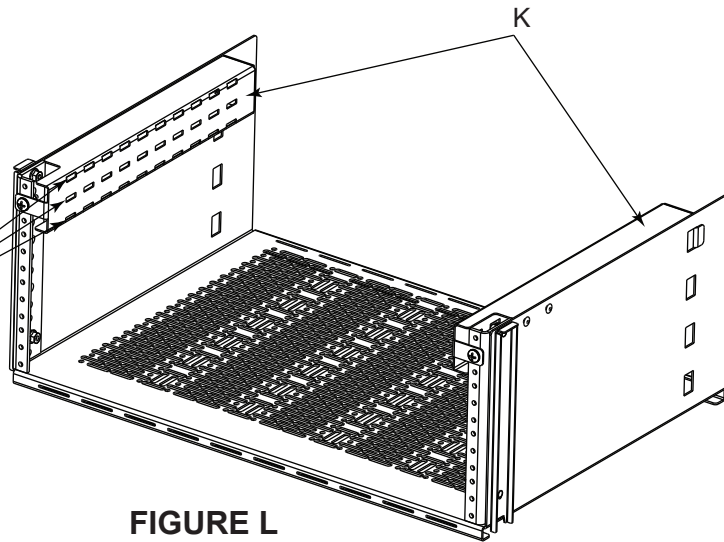


FIGURE L

6. Attach 2" Lever Lock vertical channel (M) or 10" Lever Lock vertical plate (N, 10" Lever Lock vertical plate shown) by installing the side without the clip into one of the adapter brackets first. Then, install the side with the clip into the other adapter bracket until it clicks into place. **(FIGURE M)**

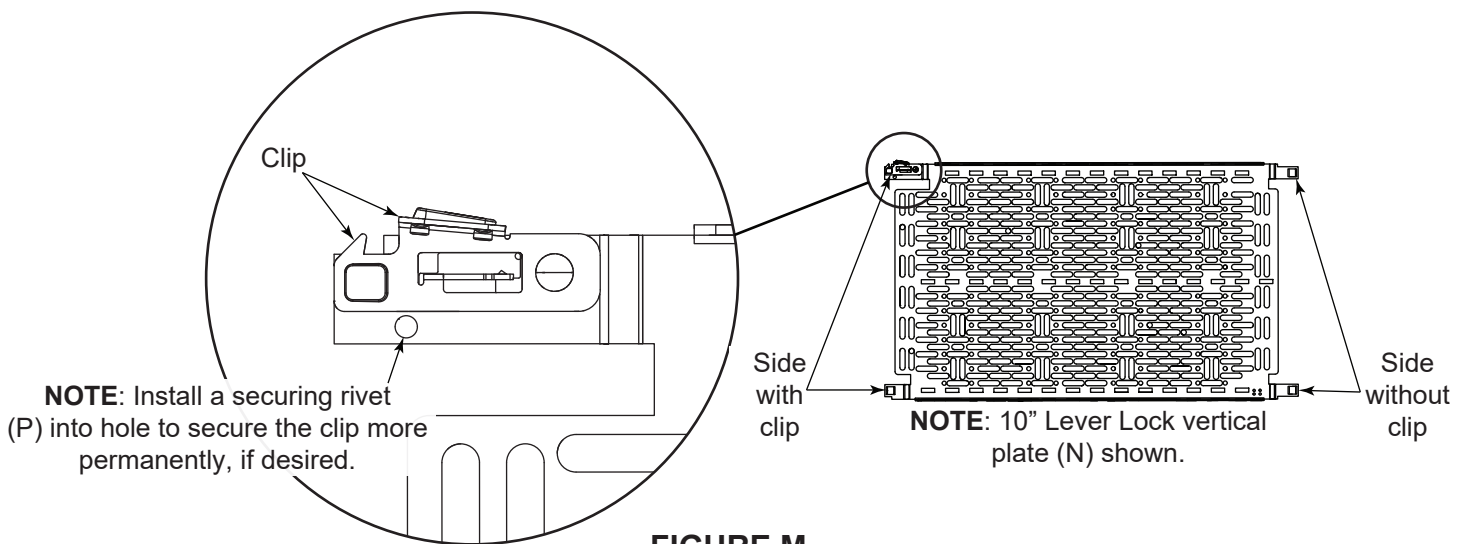


FIGURE M

NOTE:

- The Lever Lock vertical channel or plate may be installed on the brackets at different depths. **(FIGURE L)**
- All 4 corners of the Lever Lock vertical channel or plate must be inserted into adapter brackets at the same depth in order to function correctly.
- Use (20x) washers (R) for equipment mounting convenience.

INSTALLING LEVER LOCK OPTION INSIDE SLIDE-OUT RACK (CONTINUED)

7. Use (4x) 10-32 x $\frac{3}{4}$ " truss screws with washers (L) to secure the face after panel (S) to the rack as shown.

(FIGURE N)

8. Re-install the slide-out rack into your credenza by reversing the first step of this topic on page 9.

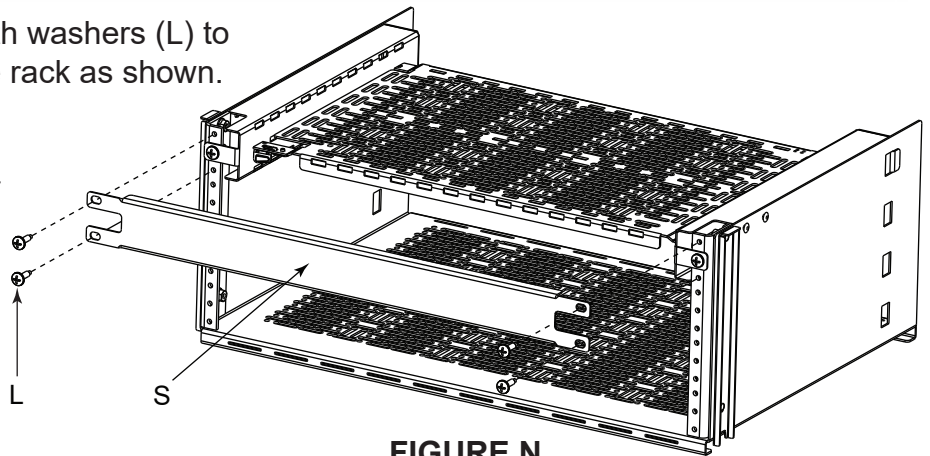


FIGURE N

UNDERSTANDING NEXT STEPS

If your installation includes a purchased fan kit and/or a large cover option (for your purchased display option), after installing this and any other options you may have purchased for your credenza, refer to the C3 Series WoodKit instruction sheet (100-00040) to install your woodkit, and then refer to the C3 Series Fan Kit (C3-FANKIT) instruction sheet (100-00039) and/or C3 Series Display Mount Large Cover Option instruction sheet (100-00035) to install your fan kit and/or your large cover option, respectively.

NOTE:

- Kits and options other than the fan kit and large cover option should be installed before your woodkit is attached to the frame.
- Attaching your display(s) (display(s) not included) to the horizontal extrusion of the display mount option (C3-XX-LDXU, if purchased) must be done as the final part of your C3 installation process. For more information, refer to "Attaching Your Display to the Horizontal Extrusion" on page 11 of the C3 Series Display Mount Option (C3-XX-LDXU) Instruction Sheet (100-00034).

WARRANTY

For warranty information, refer to legrandav.com/policies/warranty_information.

Corporate Headquarters

P: (866) 977-3901 | F: (877) 894-6918 | legrandav.com | av.support@legrand.com

Middle Atlantic Canada

P: (888) 766-9770 | F: (888) 599-5009 | ca.middleatlantic.com | av.canada.customerservice@legrand.com

Middle Atlantic EMEA Technical Support

P: +31 495-726-003 | av.emea.middleatlantic.support@legrand.com

Factory Distribution

United States: New Jersey, California, and Illinois | Canada: Ontario | The Netherlands: Weert

At Legrand AV Inc. we are always listening. Your comments are welcome.

Legrand AV is an ISO 9001 and ISO 14001 Registered Company.