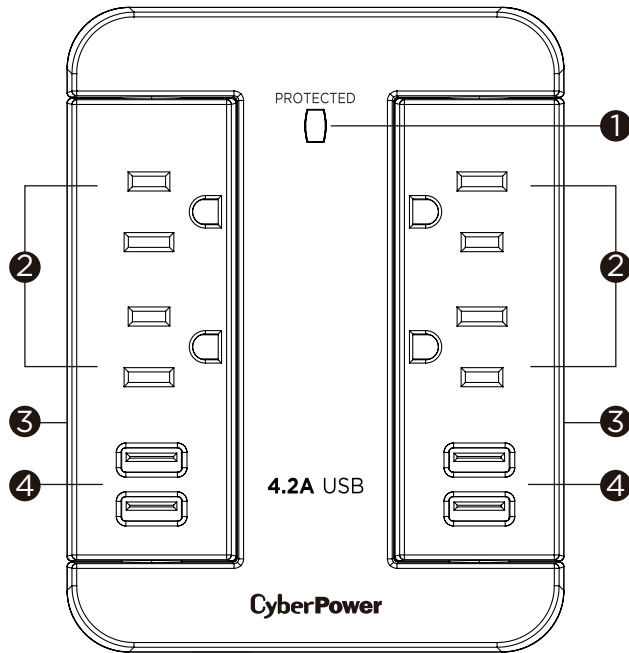


## 4-OUTLET SURGE PROTECTOR (4 AC & 4 USB PORTS)

P4WSU

### USER MANUAL



### FEATURES

#### 1. Surge Protected Indicator

Illuminated when the surge protection feature is working properly.

#### 2. Four Standard Outlets

#### 3. Pivoting Outlets

Pivoting outlets for ease of use and convenience.

#### 4. USB Charging Ports\*

Connect and charge up to four (4) USB devices using the surge protected USB charging ports.

\*USB outlets cannot be used as a USB hub. This device does not transfer data.

### SPECIFICATIONS

Model Number:	P4WSU
Outlets:	4 standard outlets 4 USB charging ports
USB Charging Rating:	5 V / 4.2 A total
Surge Protection:	900 Joules
Electrical Rating:	125 V / 15 A / 1875 W
UL Clamping Voltage:	UL 1449 4th / 800 V (L-N)
Maximum Peak Current:	30,000 A
1 AC Line Protected:	H-N: 30,000 A (The maximum surge possible on household wiring is 6,000 volts)
Response Time:	Less than 1 nanosecond

⚠WARNING: This product can expose you to chemicals including bisphenol A (BPA) and styrene (ABS), which is known to the State of California to cause reproductive harm and cancer. For more information, go to [www.P65Warnings.ca.gov](http://www.P65Warnings.ca.gov).

### CAUTION

#### TO REDUCE THE RISK OF ELECTRIC SHOCK:

Use only in dry locations and only indoors.

**DO NOT** plug into another relocatable power tap.

**DO NOT** "daisy chain" surge protectors.

**DO NOT** use with any aquarium equipment.

**DO NOT** use if properly grounded outlets are not available.

**DO NOT** install this device if there is less than 10 meters (30 feet) of wire between the electrical outlet and electrical service panel.

**DO NOT** use for medical or life support equipment. This device features an internal protection that will disconnect the surge protective component at the end of its useful life, but it will maintain unprotected power to the load.

### TROUBLESHOOTING

If the protected indicator does not light, the surge protector's AC lines are no longer protected from surge. The surge protector may have received a power surge or spike beyond its specified limits that overloaded the protection circuitry and rendered it inactive. The surge protector has protected your connected equipment as designed, but it will not protect against future surges, and spikes. It should be replaced.

### FOR MORE INFORMATION

Visit [CyberPowerSystems.com](http://CyberPowerSystems.com) for more information regarding:

- Product information and certifications
- Product warranty
- Connected equipment guarantee

### TECHNICAL SUPPORT

Visit: [CyberPowerSystems.com/support](http://CyberPowerSystems.com/support)

Toll-Free: 1-877-297-6937

Hours of Operation: Monday - Friday: 7:00am - 6:00pm CST

© 2023 Cyber Power Systems (USA), Inc. All rights reserved.  
All other trademarks are the property of their respective owners.

### FC CONFORMANCE APPROVALS

This device complies with Part 15 of the FCC Rules. Operation is subject to the following two conditions: (1) this device may not cause harmful interference, and (2) this device must accept any interference received, including interference that may cause undesired operation.

This equipment has been tested and found to comply with the limits for a Class B digital device, pursuant to Part 15 of the FCC Rules. These limits are designed to provide reasonable protection against

harmful interference in a residential installation. This equipment generates, uses, and can radiate radio frequency energy and, if not installed and used in accordance with the instructions, may cause harmful interference to radio communications. However, there is no guarantee that interference will not occur in a particular installation. If this equipment does cause harmful interference to radio or television reception, which can be determined by turning the equipment off and on, the user is encouraged to try to correct the interference by one or more of the following measures:

- Reorient or relocate the receiving antenna.
- Increase the separation between the equipment and receiver.
- Connect the equipment into an outlet on a circuit different from that to which the receiver is connected.
- Consult the dealer or an experienced radio/TV technician for help.

WARNING: Changes or modifications not expressly approved by the party responsible for compliance could void the user's authority to operate the equipment.

Cyber Power Systems (USA), Inc.

4241 12th Avenue East, Suite 400 | Shakopee, MN 55379

[CyberPowerSystems.com](http://CyberPowerSystems.com)