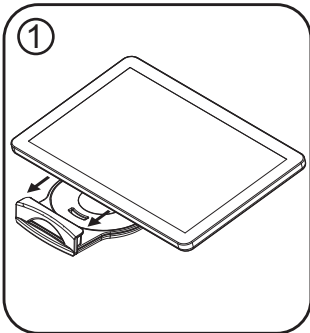




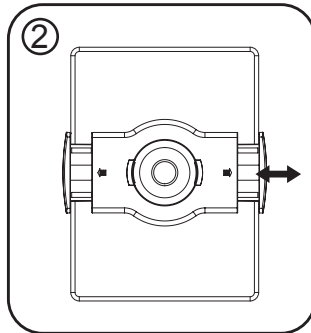
PAD-QCDM / PAD-QCDMW

Universal Quick-Connect Desk Mount (Black/White)

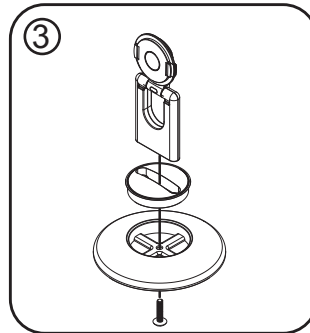
Caution: Please ensure that tablet is securely fixed in



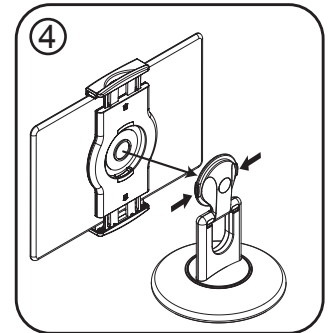
① Place tablet against one end of bracket.



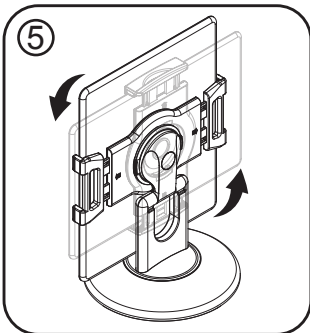
② Pull the opposite bracket out, then release to secure tablet.



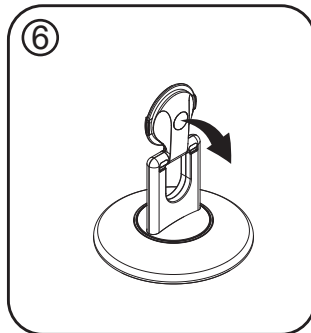
③ Push screw through underside. Attach circle insert and neck. Use screwdriver to tighten.



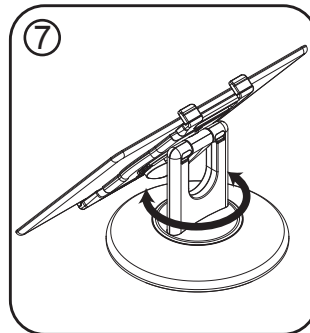
④ Squeeze headpiece buttons then attach tablet bracket. Release buttons to connect



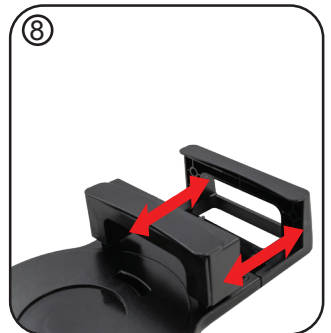
⑤ Rotate for portrait & landscape displays



⑥ Use tilting headpiece for angle adjustment



⑦ Stand base rotates 360 degrees



⑧ Attach or remove tablet fitting accessories on both sides for optimum tablet fitting