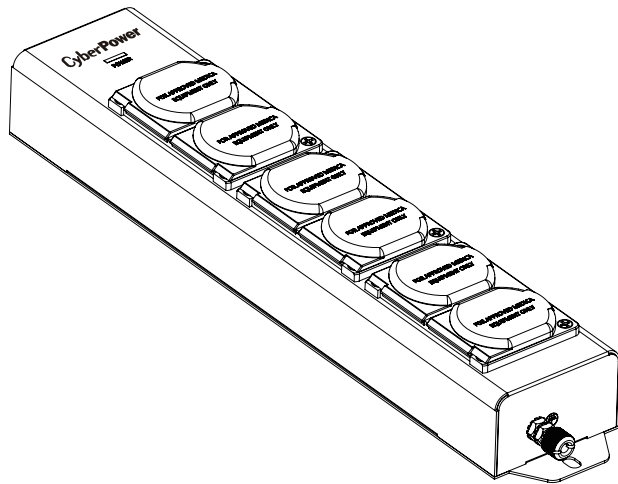


6-OUTLET MEDICAL GRADE POWER STRIP AND 6-OUTLET MEDICAL GRADE SURGE PROTECTOR

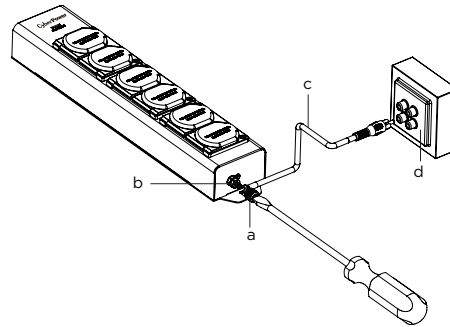
MPV615P/MPV615S

USER MANUAL

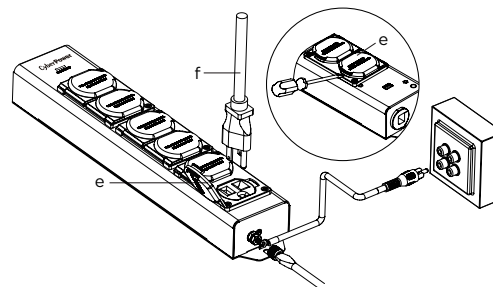


INSTALLATION INSTRUCTIONS

1. Use the screw hole on either end of the device for fixed mounting.
OR: Use the keyhole slots for hanging on a mounting surface. Mark the locations of the screw holes to align with the keyhole slot centers.
(Note: The device will drop approximately 1/4" when it is locked in place). Drill screw holes and insert screws until the screw heads are 1/16" from the mounting surface. Engage keyhole slots on the screw heads and gently push the device downward to lock it in place.
2. Use a slotted screwdriver to remove the knurled nut (a) on the return ground terminal (b) to allow insertion of the user supplied ground conductor (c) from the patient equipment grounding point (d). Refasten (hand-tighten plus a quarter turn) the knurled nut to secure the ground conductor in place.



3. Open the outlet covers (e). For safe operation, the outlet covers do not open easily. If the covers are difficult to open, use a slotted screwdriver to carefully open them by pushing the cover release towards the center of the cover. Insert the plugs of the authorized medical equipment (f).
Note: Open outlet covers only as needed. Close unused outlet covers.



4. Power the outlet strip.
For MPV615P, the green LED indicator will be illuminated when it is powered.
For MPV615S, the green LED indicator will be illuminated when the surge protection feature is working properly.

Note (For MPV615S): This device features an internal protection that will disconnect the surge protective component at the end of its useful life, but will maintain unprotected power to the load. If this situation is undesirable for the application, replace the device.

SPECIFICATIONS

Model Number:	MPV615P
Outlets:	Standard Grounded Outlets (6)
Electrical Rating:	125 V / 15 A / 1875 W
Power Cord Length:	15 ft

Model Number:	MPV615S
Outlets:	Standard Grounded Outlets (6)
Surge Protection:	1,560 Joules
Electrical Rating:	125 V / 15 A / 1875 W
Power Cord Length:	15 ft
UL Clamping Voltage:	UL 1449 4th /600 V (L-N)
Maximum Peak Current:	45,000 A
AC Line Protected:	L-N: 45,000 A
Response Time:	Less than 1 nanosecond

⚠WARNING: This product can expose you to chemicals including bisphenol A (BPA) and styrene (ABS), which is known to the State of California to cause reproductive harm and cancer. For more information, go to www.P65Warnings.ca.gov.

CAUTION

TO REDUCE THE RISK OF ELECTRIC SHOCK:

Use only in dry locations and only indoors. Use only with duplex receptacle having center screw.

DO NOT plug into another health care outlet assembly, a relocatable power tap, or an extension cord. Connect only AUTHORIZED medical equipment verified for safe touch and leakage current.

DO NOT "daisy chain" surge protectors.

DO NOT use with any aquarium equipment.

DO NOT use if properly grounded outlets are not available.

DO NOT install this device if there is less than 10 meters (30 feet) of wire between the electrical outlet and electrical service panel.

Not for Home Health Care Use.

WARNING: RISK OF DEATH OR SERIOUS INJURY. Only plug into a permanently installed branch circuit receptacle and use within the Patient Care Vicinity only when a protective earth grounding conductor also connects the Equipment Grounding (Protective Earth) Terminal to the Patient Equipment Grounding Point.

WARNING: After verifying the combined touch and leakage current secure the outlet covers closed. See installation instructions for tightening details.

WARNING: To reduce the risk of fire, electric shock, or injury to persons:

- Use this HCOA (Health Care Facility Outlet Assembly) only for its intended use as described in these instructions. Do not use attachments not recommended by the manufacturer.
- Never operate this HCOA if it has a damaged cord or plug, if it is not working properly, if it has been dropped or damaged, or dropped into water
- Keep the cord away from heated surfaces.
- Do not use outdoors.
- Do not place on floor.
- Mount and position to prevent any liquid from entering the HCOA.

FOR MORE INFORMATION

Visit CyberPowerSystems.com for more information regarding:

- Product information and certifications
- Product warranty
- Connected equipment guarantee

WARNING: RISK OF ELECTRIC SHOCK - Connect this HCOA to a properly grounded Hospital Grade (green dot) Receptacle only.

Grounding Instructions: This product must be grounded and, when used within a Patient Care Vicinity, must also be grounded to the Patient Equipment Grounding Point. If malfunction or insulation breakdown occurs, grounding provides a path of least resistance for electric current to reduce the risk of electric shock. This product is equipped with a cord having an equipment-grounding conductor and a grounding plug. The plug must be plugged into an appropriate outlet that is properly installed and grounded in accordance with all local codes and ordinances. This product is also provided with a "Patient Equipment Grounding Terminal" (or jack) for connection of a "Patient Equipment Grounding Conductor" which in turn must be connected to the "Patient Equipment Grounding Point" before use within any "Patient Care Vicinity" 6ft (1.8m), beyond the patient bed, chair, table, treadmill, or other device that supports the patient during examination and treatment.

DANGER: Improper connection of the equipment-grounding conductor and Protective Earth Grounding Conductor can result in a risk of electric shock.

Check with a qualified electrician or service person if you are in doubt as to whether the product is properly grounded.

Check to see that the HCOA rating is suitable for the application. The total true R.M.S. current draw of the devices to be protected should not exceed 15 Amps (or 20 Amps based on the model).

TECHNICAL SUPPORT

Visit: CyberPowerSystems.com/support

Toll-Free: 1-877-297-6937

© 2022 Cyber Power Systems (USA), Inc. All rights reserved.

All other trademarks are the property of their respective owners.

FC CONFORMANCE APPROVALS

This device complies with Part 15 of the FCC Rules. Operation is subject to the following two conditions: (1) this device may not cause harmful interference, and (2) this device must accept any interference received, including interference that may cause undesired operation.

This equipment has been tested and found to comply with the limits for a Class B digital device, pursuant to Part 15 of the FCC Rules. These limits are designed to provide reasonable protection against

harmful interference in a residential installation. This equipment generates, uses, and can radiate radio frequency energy and, if not installed and used in accordance with the instructions, may cause harmful interference to radio communications.

However, there is no guarantee that interference will not occur in a particular installation. If this equipment does cause harmful interference to radio or television reception, which can be determined by turning the equipment off and on, the user is encouraged to try to correct the interference by one or more of the following measures:

- Reorient or relocate the receiving antenna.
- Increase the separation between the equipment and receiver.
- Connect the equipment into an outlet on a circuit different from that to which the receiver is connected.
- Consult the dealer or an experienced radio/TV technician for help.

WARNING: Changes or modifications not expressly approved by the party responsible for compliance could void the user's authority to operate the equipment.