

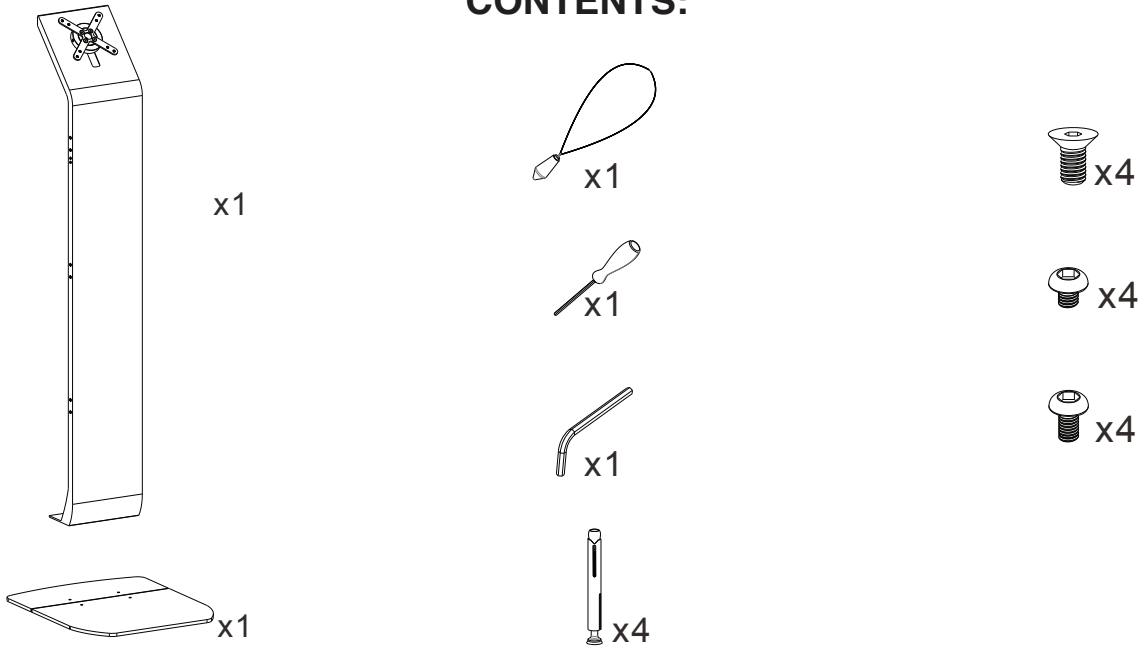


CTA Digital Floor Stand Component For Kitting

ADD-PARAFS / ADD-PARAFSW / ADD-PARAFSS

INSTRUCTION - MANUAL

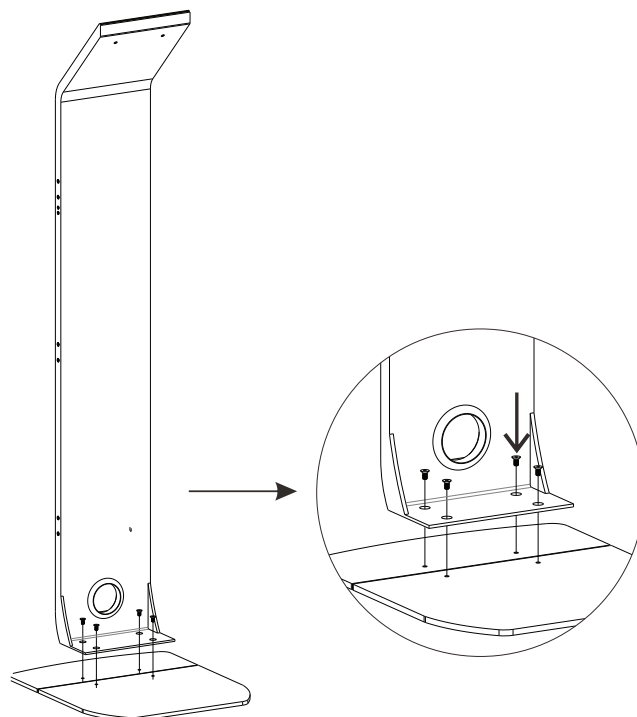
CONTENTS:



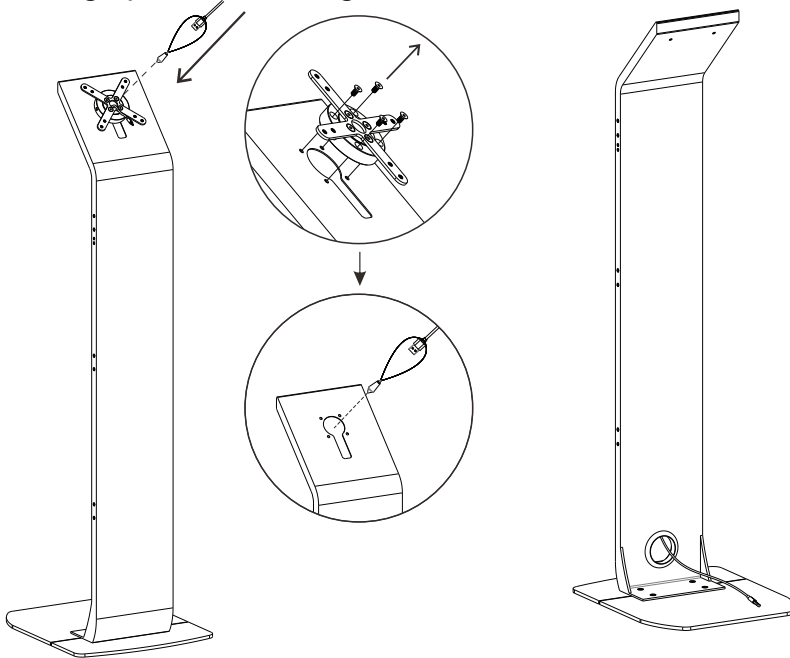
INSTRUCTIONS:

1. Mounting Base to Floor Stand Body

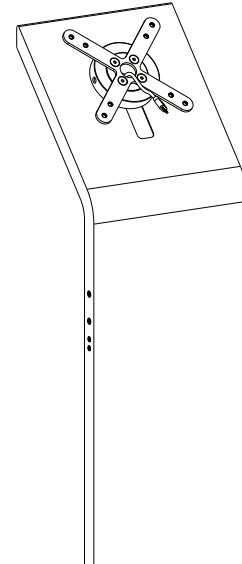
Align the holes of the floor stand body to the base plates. Make sure the orientation of the base plate and body is as shown in the example. Screw in tightly with provided tool.



2. Setting up Cable Routing

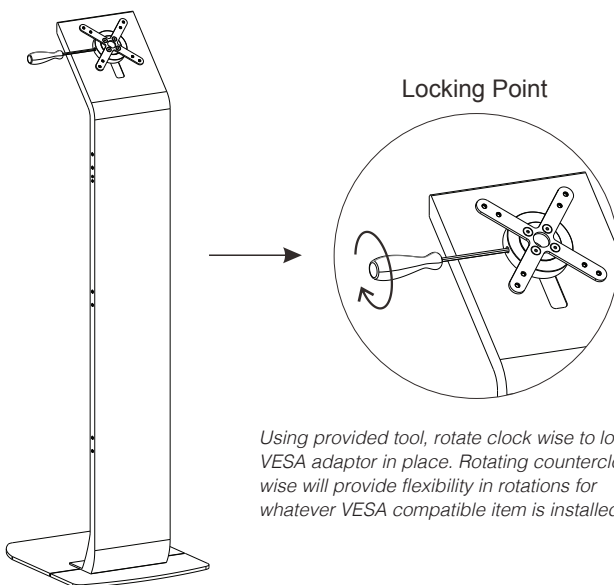


Have the cable at the top hanging out of the VESA mount and ready to be plugged into whatever device and VESA compatible item that mounts to the floor stand.



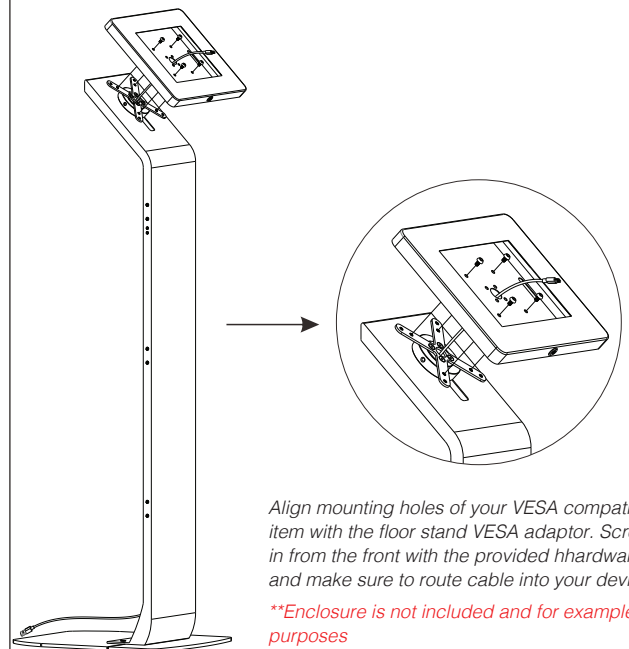
Use the provided weighted pendant to route a cable through the stand. Start at the top through the center of the VESA as shown and drop it down through the body and out the bottom as shown. In the event that the cable end is too large, remove the screws of the VESA mount as shown and remove the adaptor. Then drop the weighted pendant with cable after.

3. Adjusting VESA adaptor



Using provided tool, rotate clock wise to lock VESA adaptor in place. Rotating counterclockwise will provide flexibility in rotations for whatever VESA compatible item is installed.

4. Installing VESA compatible item example



Align mounting holes of your VESA compatible item with the floor stand VESA adaptor. Screw in from the front with the provided hardware and make sure to route cable into your device
****Enclosure is not included and for example purposes**