

HoverBar Duo

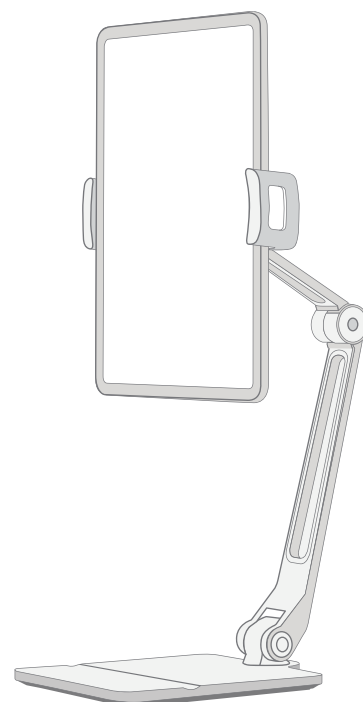
owner's guide



Table of Contents

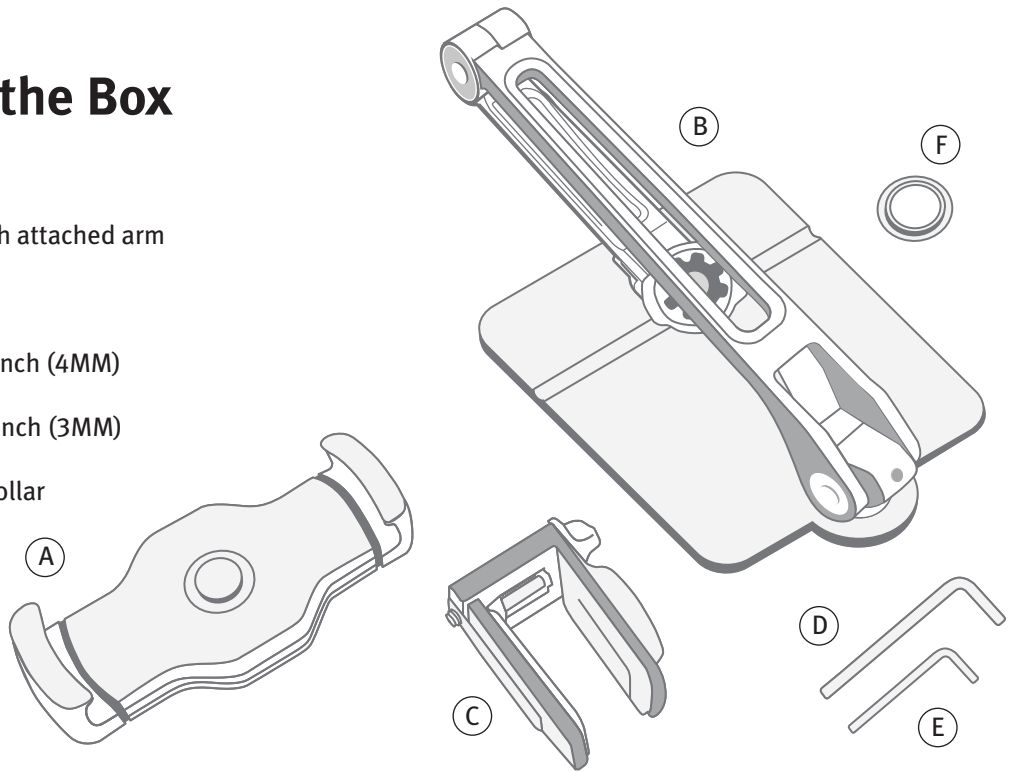
What's in the box	1
Attach iPad Clip	2
Choose Desk Stand or Shelf Clamp	3
Clipping in iPad	4
Adjusting and Tightening HoverBar	5
Installing Shelf Clamp	6
Tips, Tricks and New Ideas	8

View the instructional video at:
twelvesouth.com/hoverbarduo-quickstart



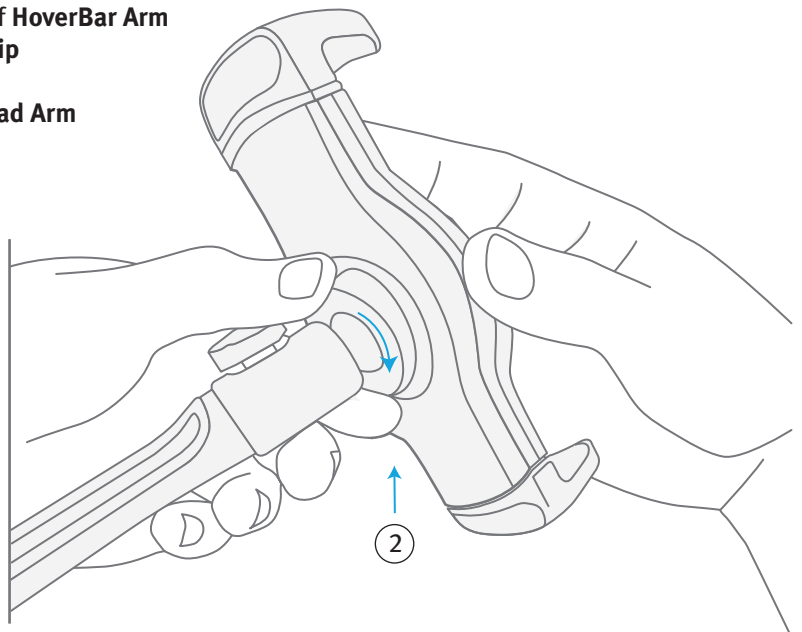
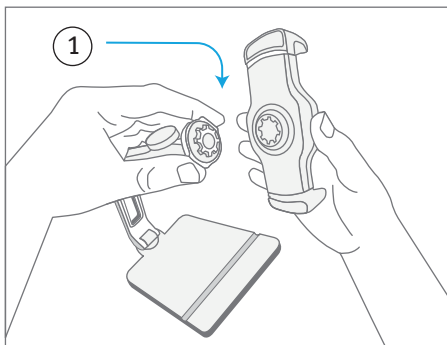
What's in the Box

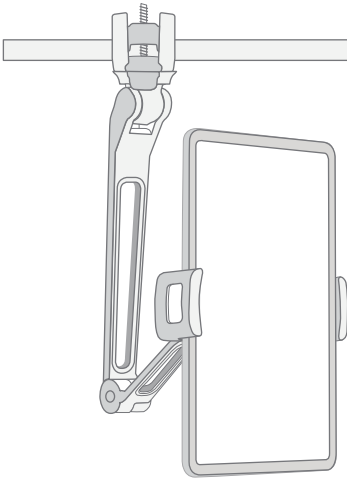
- (A) iPad Clip
- (B) Desk Base with attached arm
- (C) Shelf Clamp
- (D) Large Hex Wrench (4MM)
- (E) Small Hex Wrench (3MM)
- (F) Shelf Clamp Collar



Getting Started Attach iPad Clip

- ① Position **Locking Washer** at the end of **HoverBar Arm** and align with the back of the **iPad Clip**
- ② Hand tighten **iPad Clip** onto end of **iPad Arm** with **Locking Washer**

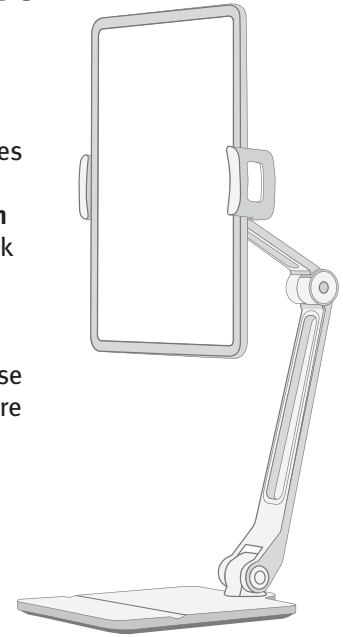




Getting Started Choose Desk Stand or Shelf Clamp

HoverBar includes both a freestanding, weighted **Desk Stand** and a **Shelf Clamp**. The **Desk Stand** comes pre-attached and is the easiest to move from place to place. The **Shelf Clamp** attaches the **HoverBar Arm** securely to a shelf or desk edge up to 1.5-inches thick for display in any orientation.

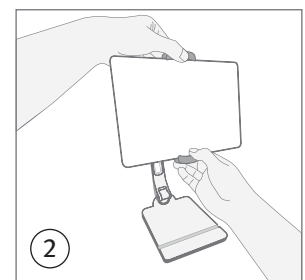
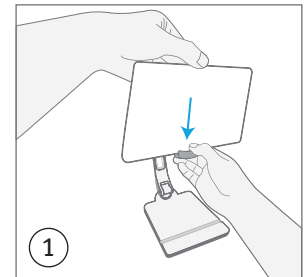
Where and how you want to use your iPad will determine which option you choose. If you want to use the **Desk Stand**, simply clip in iPad (page 4) and you're done. If you want to use the **Shelf Clamp**, proceed to installing **Shelf Clamp** (page 6).



Getting Started Clipping in iPad

- ① Holding the iPad horizontally, insert the bottom edge of iPad into the clip and push down to open the iPad Clip.
- ② When the top of the iPad Clip is expanded beyond the top edge of the iPad, lean the iPad back into the iPad Clip.
- ③ Carefully release the iPad and let the **HoverBar iPad Clip** hold the iPad.
- ④ Rotate and position the iPad into the desired placement and orientation.

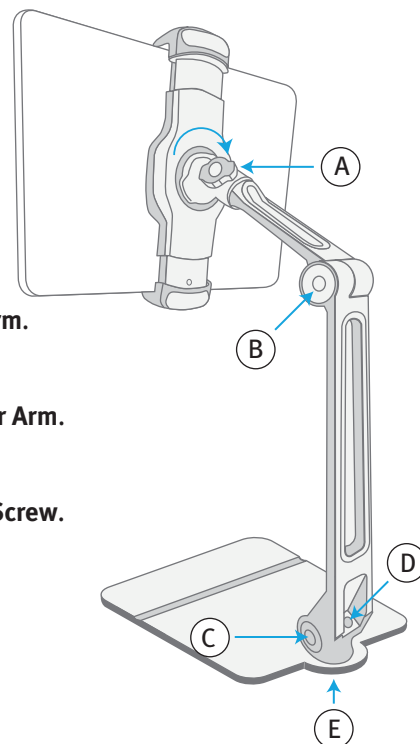
Note: It is recommended that when adjusting the position of iPad by a significant amount, remove the iPad first, reposition the **HoverBar arms** and **iPad Clip** to the approximate new location, then replace iPad and make final small adjustments with the iPad securely in place.



Adjusting and Tightening HoverBar

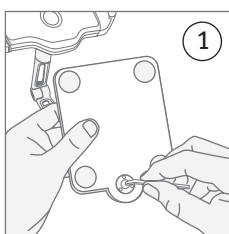
All moving HoverBar joints can be adjusted and tightened as needed or desired. All hinges use one of two **Hex Wrenches** included with HoverBar.

- (A) **iPad Clip Adjustment Knob**
Loosen to adjust the orientation and angle of iPad. Note: Utilize notch opposite the adjustment knob to position iPad parallel to **HoverBar Arm**.
- (B) **HoverBar Arm Elbow**
Use the **Large Hex Wrench** to adjust the height and angle of the **Upper Arm**.
- (C) **Base Hinge**
Rotation point for **Lower Arm**. To adjust, use **Base Hinge Adjustment Screw**.
- (D) **Base Hinge Adjustment Screw**
Adjust the tightness of the **Base Hinge** with **Small Hex Wrench**.
- (E) **Arm Attachment Bolt**
Adjust the ease of rotation with **Large Hex Wrench**.

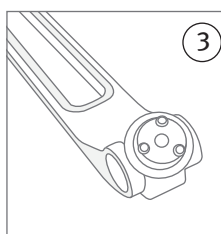


Getting Started Installing Shelf Clamp

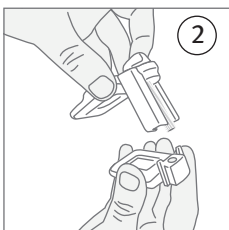
Removing the HoverBar **Desk Stand** and installing the **Shelf Clamp** is a straightforward process. Pay close attention to not lose the individual washers and screws as you follow the steps to switch parts.



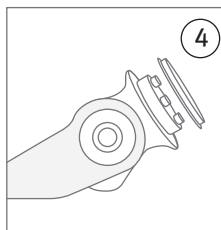
1 Remove **Arm Attachment Bolt** from bottom of **Base** and release **HoverBar Arm**



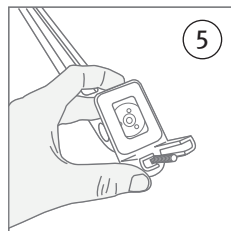
3 Hold **HoverBar Arm** upside down so the three locking posts are facing up



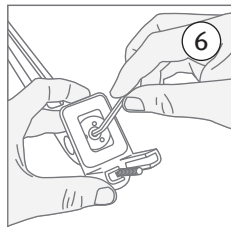
2 Unscrew and remove the **Shelf Clamp Adjustable Segment**



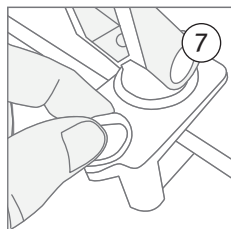
4 Place **Shelf Clamp Collar** onto **HoverBar Arm** with inner ring facing up



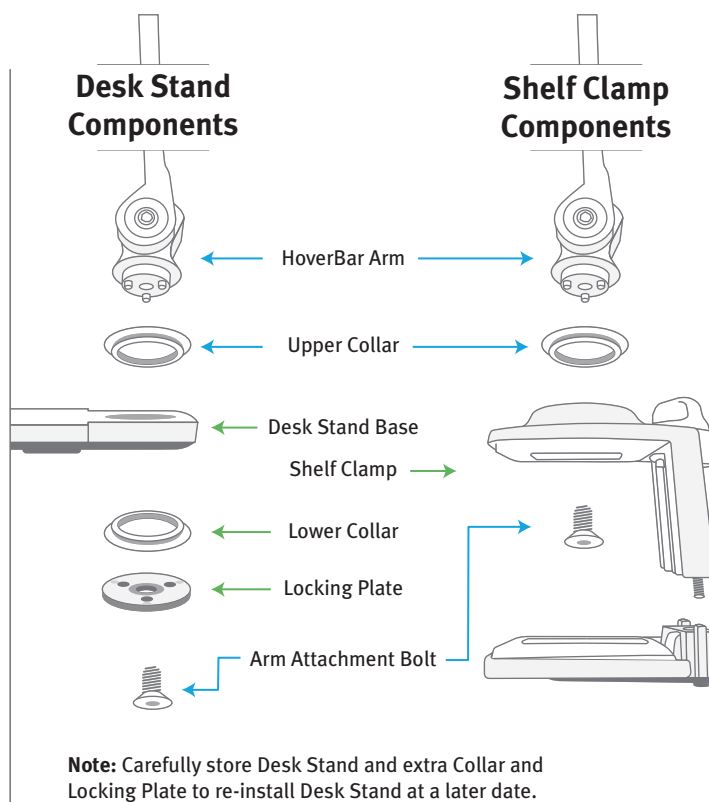
5 Place **Shelf Clamp** onto **HoverBar Arm** and rotate until **Locking Plate** nests into the three posts of the arm



6 Replace and tighten **Arm Attachment Bolt**



7 Replace adjustable side of **Shelf Clamp** and screw into place with the **Shelf Clamp Adjustment Knob**

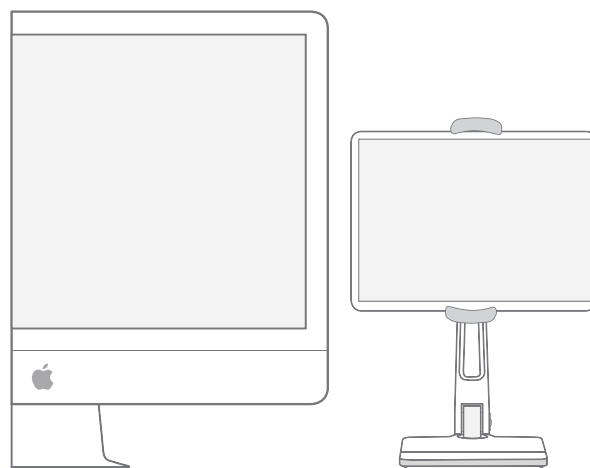


HoverBar Tips & Tricks

Combine **HoverBar** with **iPad** to use as a **second display for your Mac with Sidecar**.

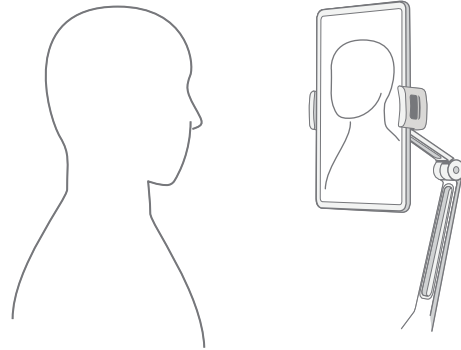
With the SideCar feature, most newer Macs can turn most newer iPads into a second screen for applications pallets, email, small widgets, et cetera. Use **HoverBar** to position your Sidecar iPad right next to your Mac screen in vertical or horizontal position.

Learn more about SideCar here:
<https://support.apple.com/en-us/HT210380>



HoverBar and iPad - with an external keyboard & trackpad

The latest iPadOS lets you use external keyboards and pointing devices (such as a TrackPad or mouse) to control iPad. With iPad control on your desk - you are now free to position iPad anywhere you like with HoverBar.



Better Video chats

To look your best on FaceTime videos, Zoom calls, et cetera, it is always better to have your camera at eye level and, most often, in portrait mode. Use HoverBar to position your iPad at the perfect height for any video call. You can even hang it from a nearby shelf to keep your desktop nice and clear.

thank you