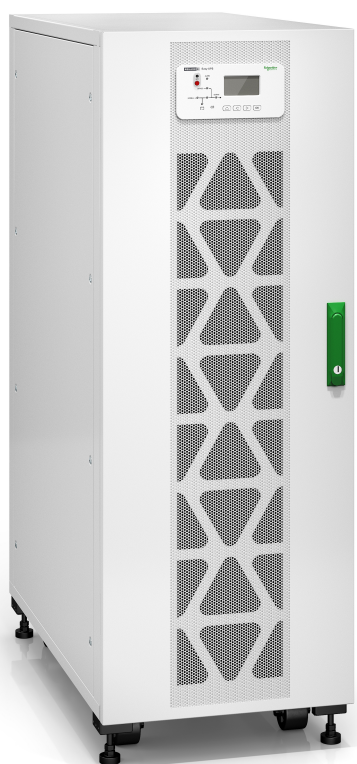


# Easy UPS 3S 208 V UL for Internal Batteries

## UPS Systems

### Earthing Principles

5/2021



# Legal Information

The Schneider Electric brand and any trademarks of Schneider Electric SE and its subsidiaries referred to in this guide are the property of Schneider Electric SE or its subsidiaries. All other brands may be trademarks of their respective owners.

This guide and its content are protected under applicable copyright laws and furnished for informational use only. No part of this guide may be reproduced or transmitted in any form or by any means (electronic, mechanical, photocopying, recording, or otherwise), for any purpose, without the prior written permission of Schneider Electric.

Schneider Electric does not grant any right or license for commercial use of the guide or its content, except for a non-exclusive and personal license to consult it on an "as is" basis. Schneider Electric products and equipment should be installed, operated, serviced, and maintained only by qualified personnel.

As standards, specifications, and designs change from time to time, information contained in this guide may be subject to change without notice.

To the extent permitted by applicable law, no responsibility or liability is assumed by Schneider Electric and its subsidiaries for any errors or omissions in the informational content of this material or consequences arising out of or resulting from the use of the information contained herein.

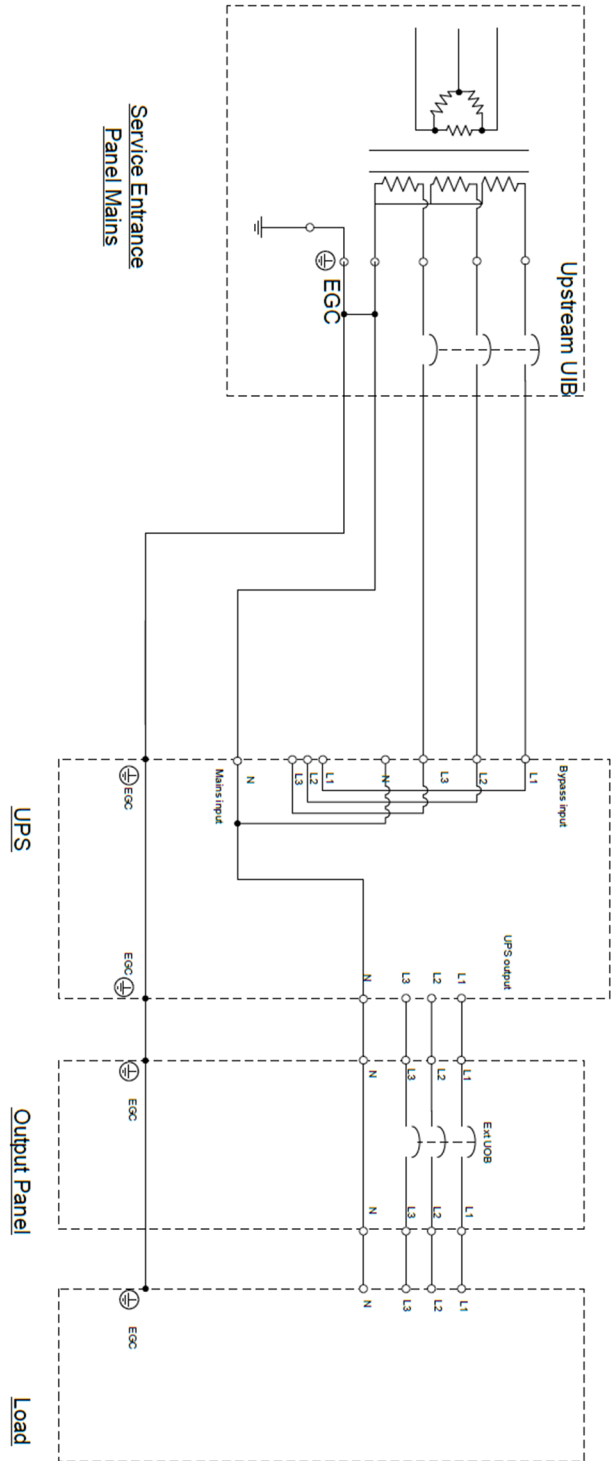
# Table of Contents

Earthing Diagrams .....5

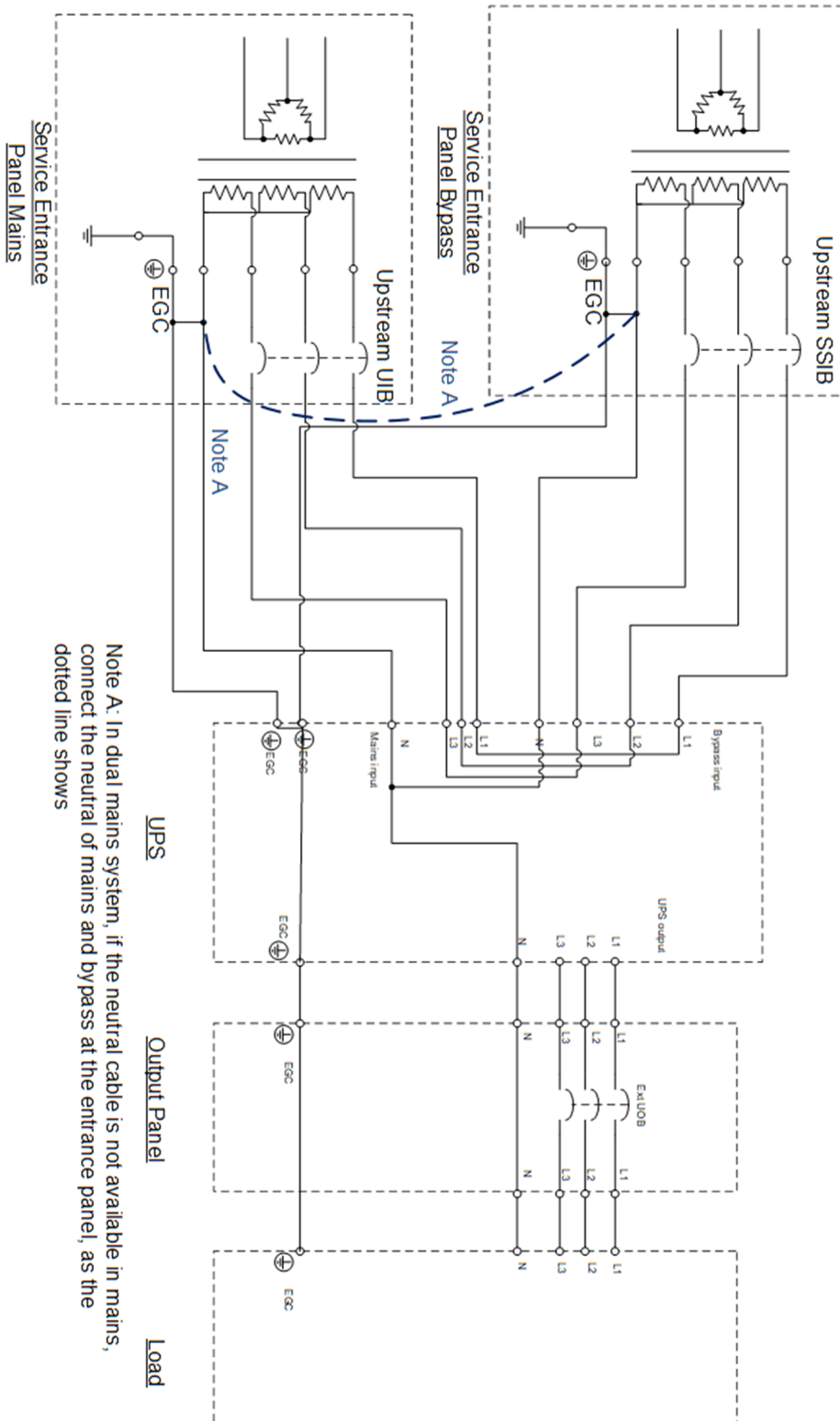


# Earthing Diagrams

## Solid Grounding 4-Wire — Single Mains without Maintenance Bypass Panel

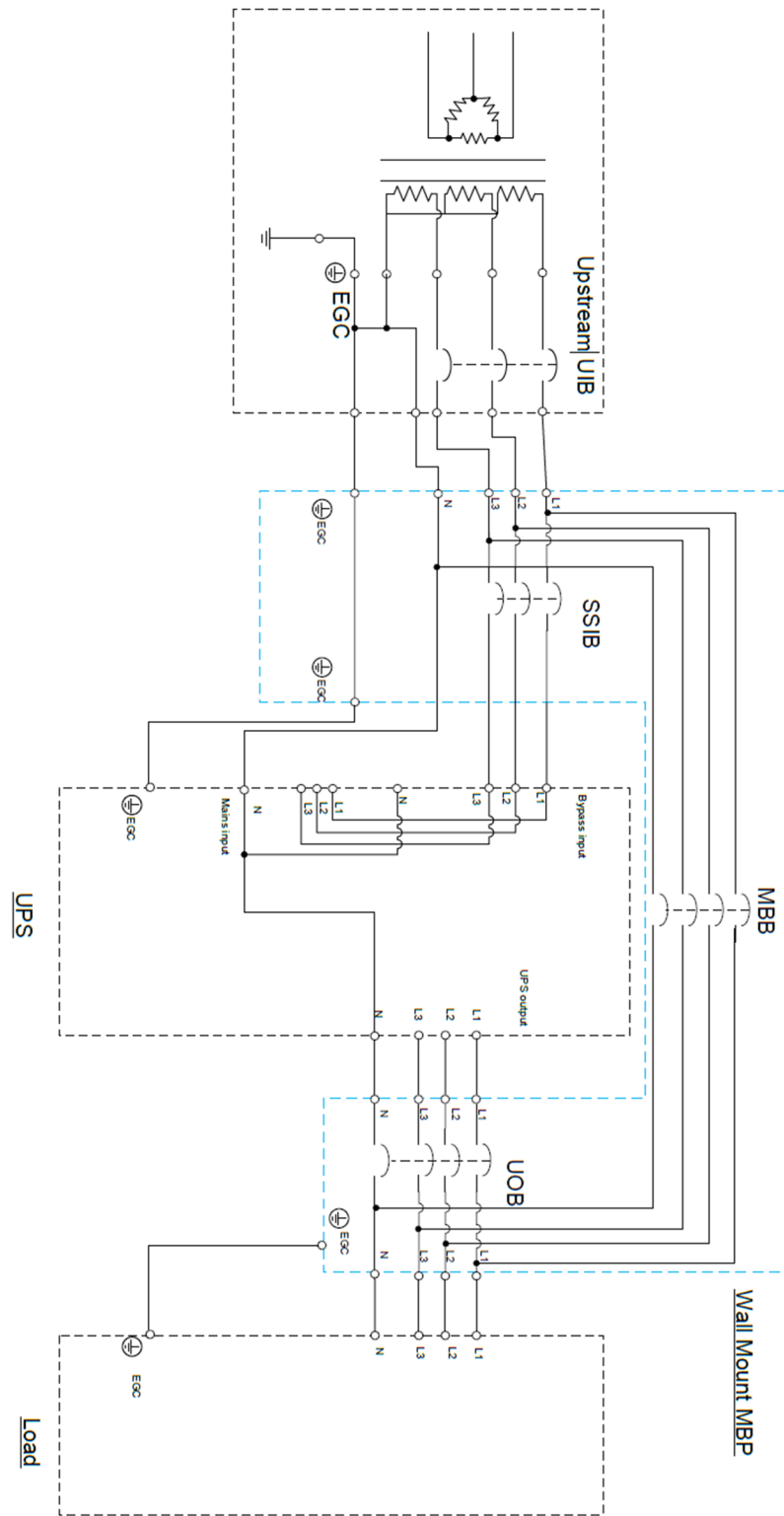


# Solid Grounding 4-Wire - Dual Mains Without Maintenance Bypass Panel

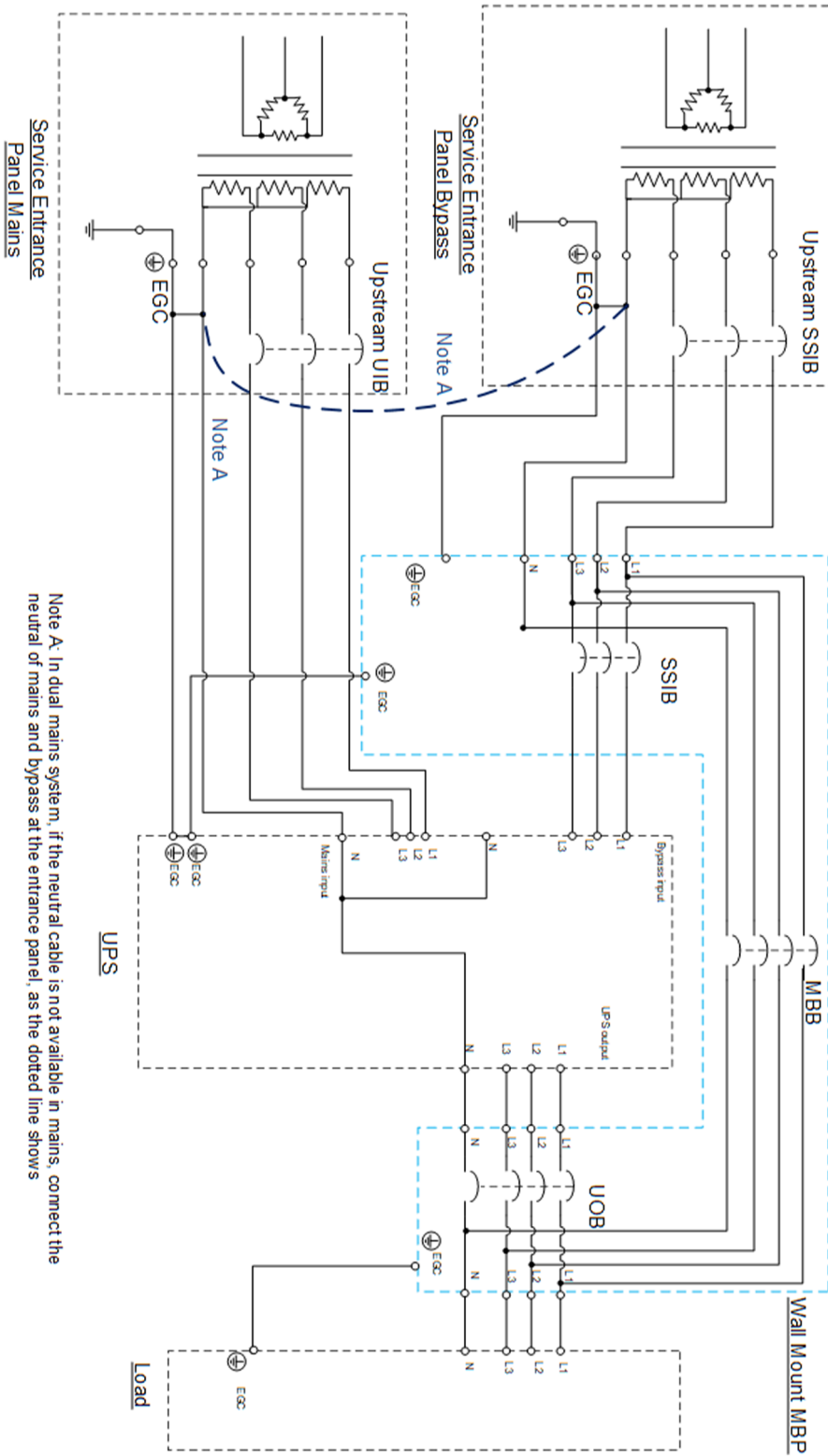


Note A: In dual mains system, if the neutral cable is not available in mains, connect the neutral of mains and bypass at the entrance panel, as the dotted line shows

# Solid Grounding 4-Wire - Single Mains With Maintenance Bypass Panel

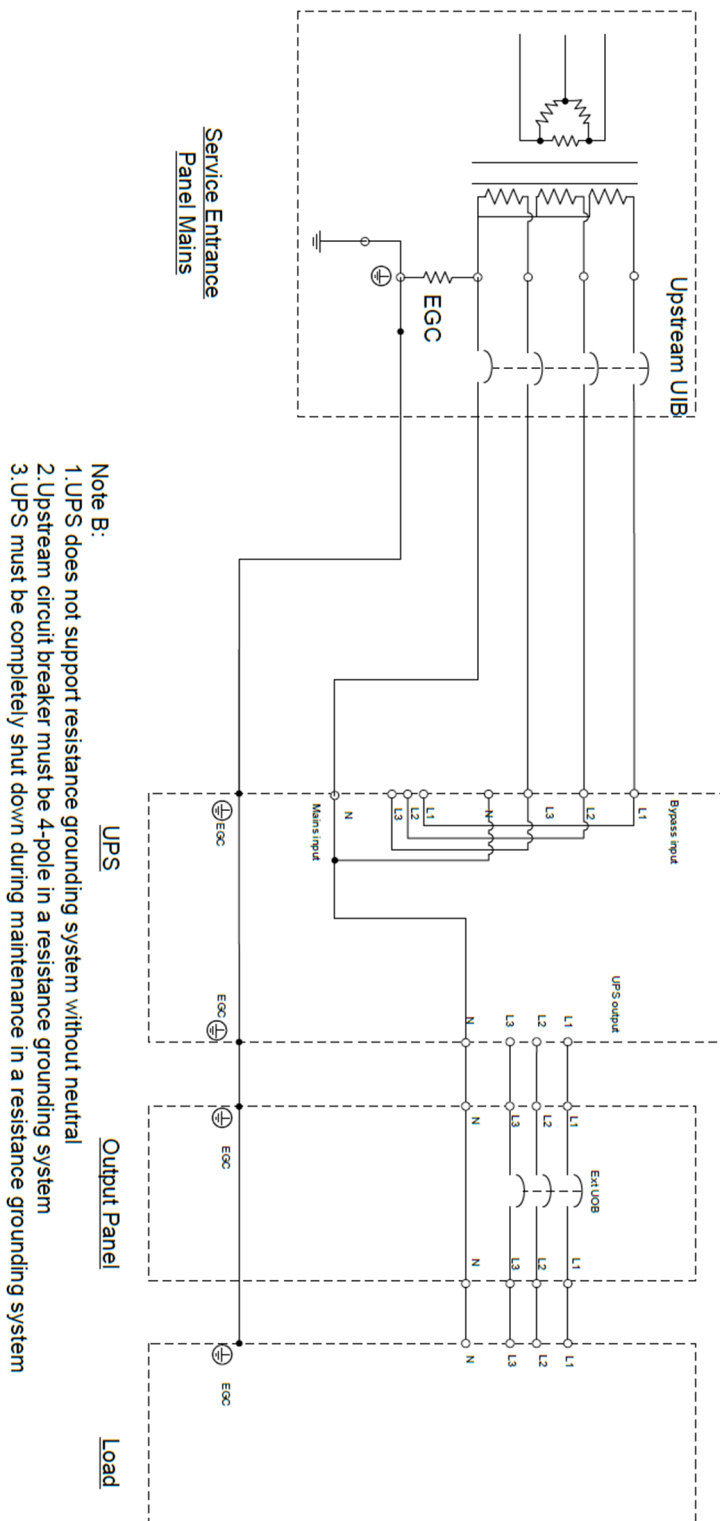


# Solid Grounding 4-Wire - Dual Mains With Maintenance Bypass Panel





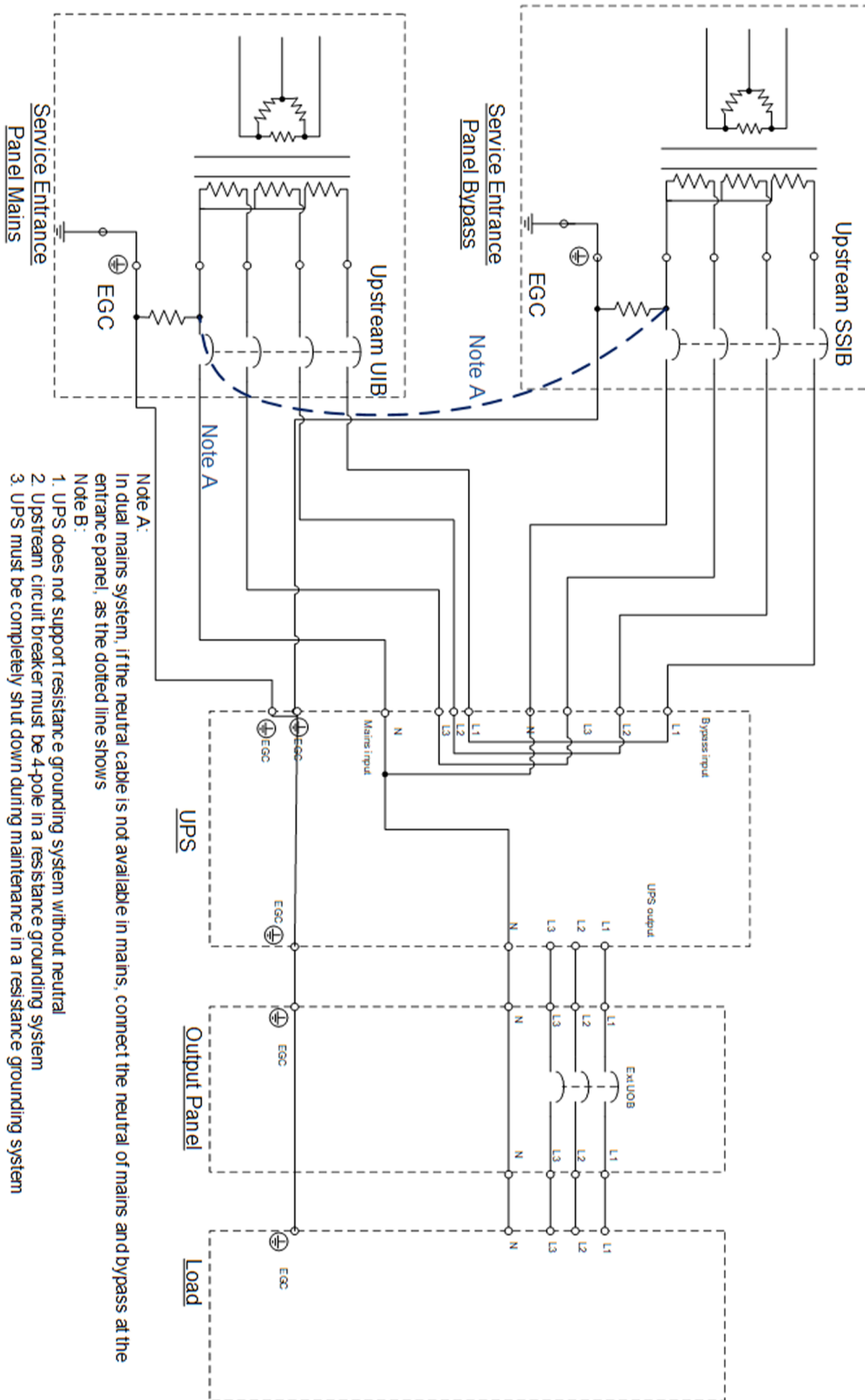
# Resistance Grounding 4 wire-Single Mains Without Maintenance Bypass Panel (Note B)



Note B:

1. UPS does not support resistance grounding system without neutral
2. Upstream circuit breaker must be 4-pole in a resistance grounding system
3. UPS must be completely shut down during maintenance in a resistance grounding system

# Resistance Grounding 4 wire-Dual Mains Without Maintenance Bypass Panel (Note B)

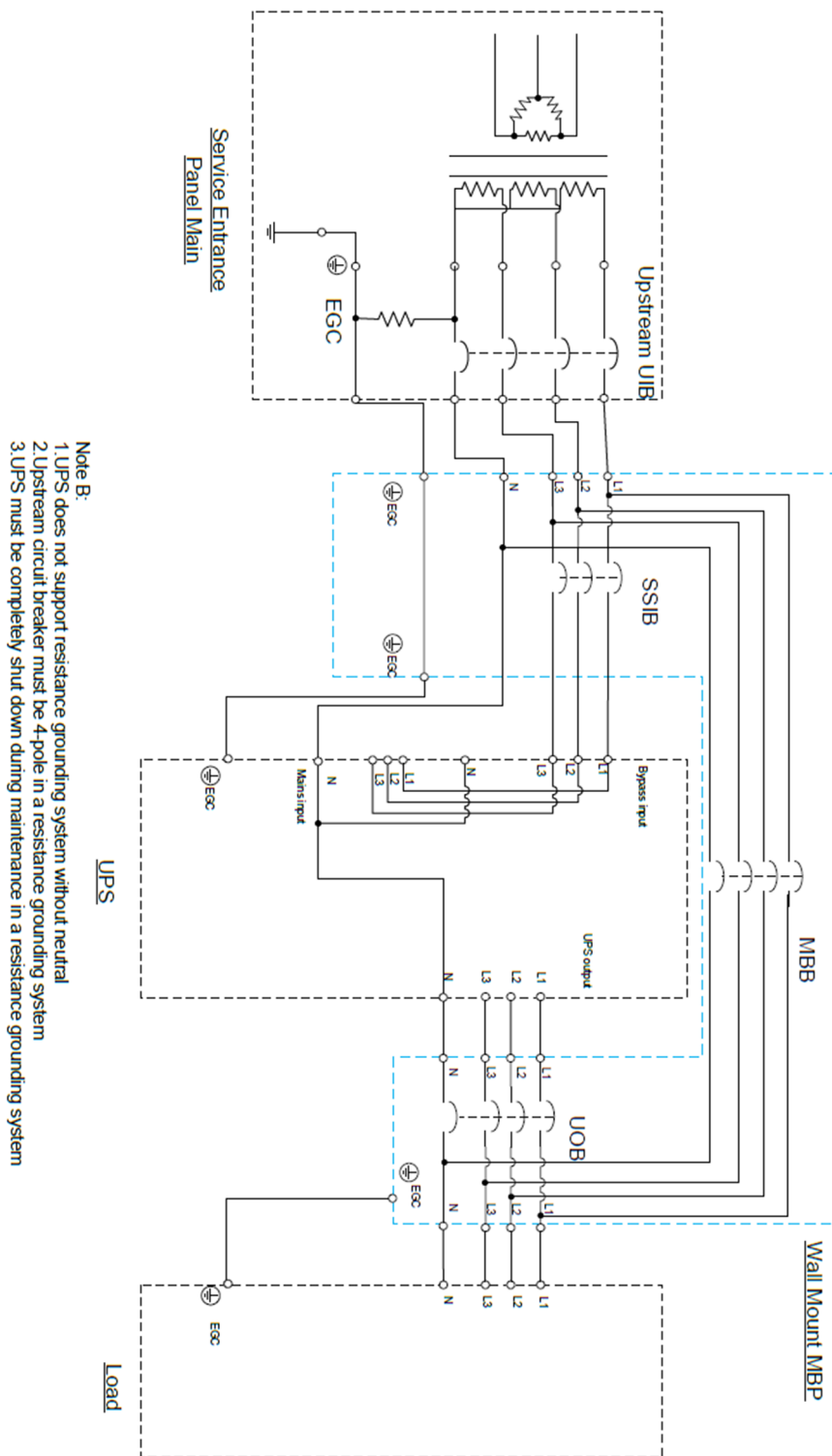


Note A:  
In dual mains system, if the neutral cable is not available in mains, connect the neutral of mains and bypass at the entrance panel, as the dotted line shows

Note B:

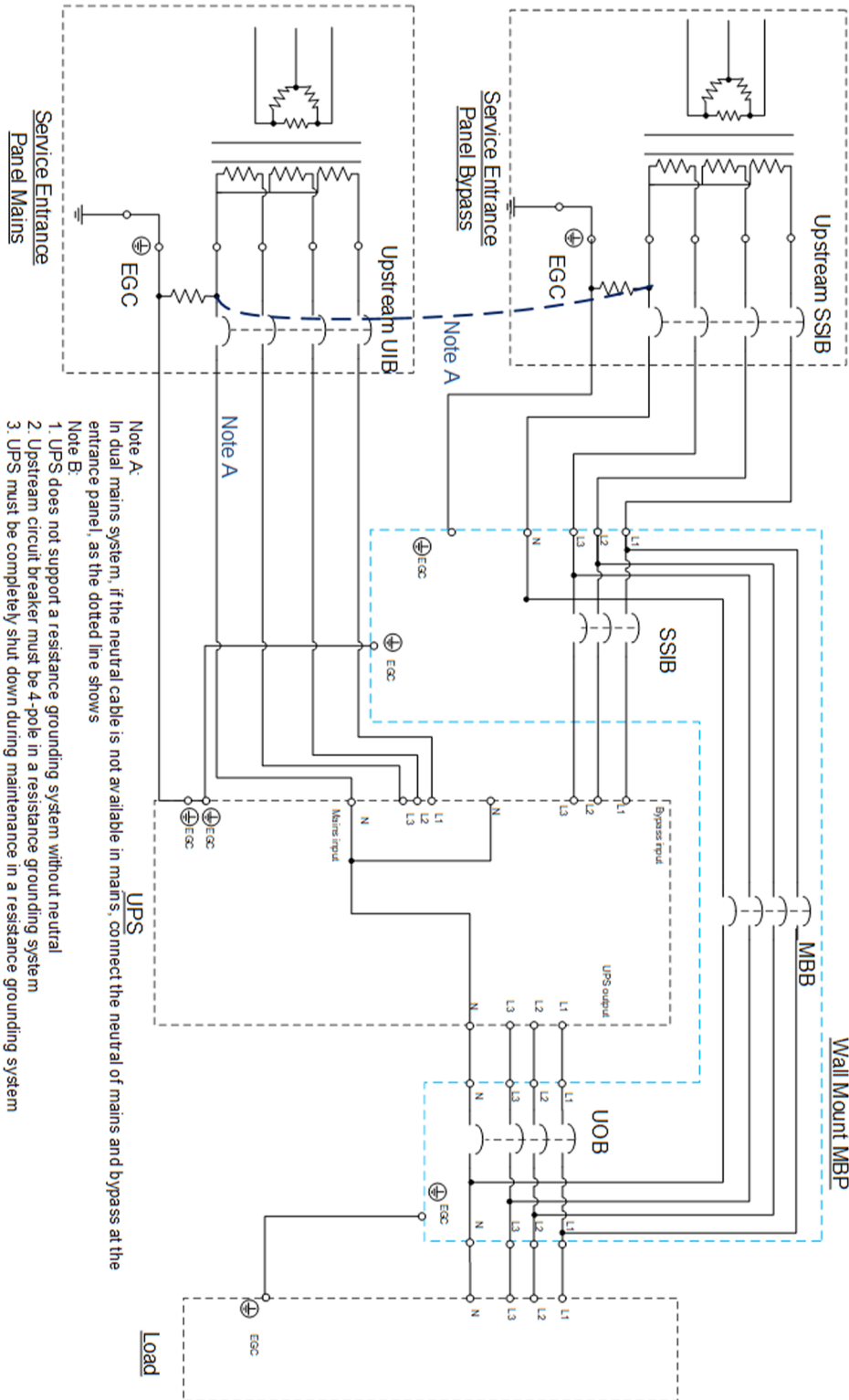
1. UPS does not support resistance grounding system without neutral
2. Upstream circuit breaker must be 4-pole in a resistance grounding system
3. UPS must be completely shut down during maintenance in a resistance grounding system

# Resistance Grounding 4-Wire - Single Mains With Maintenance Bypass Panel (Note B)



- Note B:**
1. UPS does not support resistance grounding system without neutral
  2. Upstream circuit breaker must be 4-pole in a resistance grounding system
  3. UPS must be completely shut down during maintenance in a resistance grounding system

# Resistance Grounding 4-Wire - Dual Mains With Maintenance Bypass Panel (Note B)



- Note A:  
In dual mains system, if the neutral cable is not available in mains, connect the neutral of mains and bypass at the entrance panel, as the dotted line shows
- Note B:  
1. UPS does not support a resistance grounding system without neutral  
2. Upstream circuit breaker must be 4-pole in a resistance grounding system  
3. UPS must be completely shut down during maintenance in a resistance grounding system



Schneider Electric  
35 rue Joseph Monier  
92500 Rueil Malmaison  
France

+ 33 (0) 1 41 29 70 00



As standards, specifications, and design change from time to time,  
please ask for confirmation of the information given in this publication.

© 2021 – 2021 Schneider Electric. All rights reserved.

990-6496