

# Owner's Manual

## S3MT-Series 3-Phase Input Transformers: 480V-208V

Models: S3MT-20K480V, S3MT-30K480V

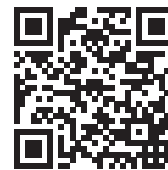


Español 17 • Français 33

### WARRANTY REGISTRATION

Register your product today and be automatically entered to win an ISOBAR® surge protector in our monthly drawing!

[triplite.com/warranty](http://triplite.com/warranty)



1111 W. 35th Street, Chicago, IL 60609 USA • [triplite.com/support](http://triplite.com/support)

Copyright © 2021 Tripp Lite. All rights reserved.

# Table of Contents

<b>1. Introduction .....</b>	<b>3</b>
<b>2. Important Safety Warnings.....</b>	<b>5</b>
<b>3. Installation .....</b>	<b>6</b>
<b>3.1 Mechanical Data .....</b>	<b>6</b>
<b>3.2 Package Inspection .....</b>	<b>7</b>
<b>3.3 Unpacking the UPS .....</b>	<b>7</b>
<b>3.4 Package Contents.....</b>	<b>9</b>
<b>3.5 Cabinet Overview.....</b>	<b>9</b>
<b>3.6 Power Cables .....</b>	<b>10</b>
<b>3.7 Transformer-to-UPS Connection Line Diagram .....</b>	<b>11</b>
<b>3.8 Transformer-to-UPS Connections.....</b>	<b>12</b>
<b>3.8.1 Connection for S3MT-20K480V to S3M20K3B UPS .....</b>	<b>12</b>
<b>3.8.2 Connection for S3MT-30K480V to S3M25K or S3M30K UPS.....</b>	<b>12</b>
<b>4. Operations .....</b>	<b>13</b>
<b>4.1 Over-Temperature Protection.....</b>	<b>13</b>
<b>4.1.1 Over-Temperature Red Warning LED Light .....</b>	<b>13</b>
<b>4.1.2 Over-Temperature Protection Relay and Thermal Switch.....</b>	<b>13</b>
<b>5. Specifications.....</b>	<b>14</b>
<b>6. Storage.....</b>	<b>15</b>
<b>7. Warranty and Regulatory Compliance.....</b>	<b>16</b>

# 1. Introduction

Tripp Lite's S3MT-20K480V and S3MT-30K480V Input isolation transformers provide 480V (Delta) to 208V (Wye) step-down and isolation protection to the connected UPS and its load.

The transformer has input isolation to mitigate utility line surges and spikes, while protecting the UPS. The transformer includes a built in breaker at the transformer output side for protection. Two ball-bearing fans maintain quiet operation. An overheat-sensing relay and switch combine with a warning light to provide over-temperature warning and overheating protection. The UPS system's small footprint and quiet acoustic profile enable installations with minimal space and noise impact. All transformer models feature rugged stainless steel housings with front panels similar to the S3M-Series 208V 3-Phase UPS line.

UPS Model	Series Number	Capacity	Description
S3MT-20K480V	AG-050B	20kW	480V to 208V Input Isolation Transformer
S3MT-30K480V	AG-050C	30kW	480V to 208V Input Isolation Transformer

## Typical applications

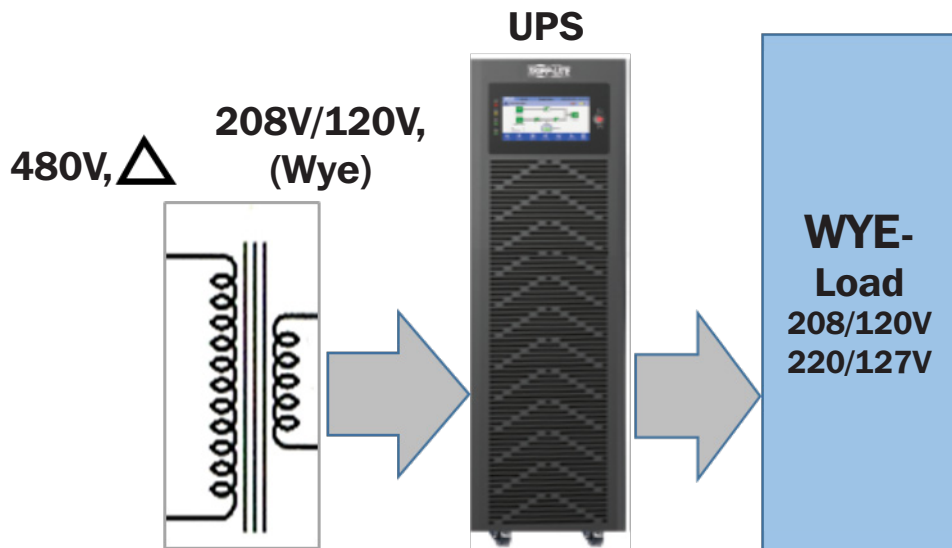
4-Wire (3Ph+N+PE) IT equipment loads in government, manufacturing, hospitals, industrial settings and corporate settings that have a 480V electrical feed and 208V/120V IT Loads.

## Key Features

- Isolation protection to the UPS input, with stepped-down input from 480V (Delta) to 208V/120V (Wye)
- Circuit breaker and overheating protection
- 95% to 97.5% efficiency
- Wide input voltage and frequency operating range  
Voltage: -20% to +25% @ 100% load and 40-70 Hz
- Insulation class: 180°C material
- Reliability-tested according to ISTA-3B for vibration, shock, drop (tip test)
- UL and CSA TUV certifications
- Rugged stainless steel housing shipped ready for installation
- 2-year warranty

# 1. Introduction

## Typical Configuration






These 480V Input Transformers may be purchased separately or as part of kit model with a Tripp Lite S3M Series 3-Phase UPS:

Input Transformer Models		Maximum Constant Load	Compatible with 208V 3Ph UPS	Kit Models: UPS + Transformer	
				Kit Models	Kit Models Include
480V	S3MT-20K480V	20kW	10-20kW UPS	S3M20K-20K4T	S3MT-20K480V + S3M20K3B UPS
	S3MT-30K480V	30kW	20-30kW UPS	S3M25K-30K4T	S3MT-30K480V + S3M25K UPS
S3M30K-30K4T				S3MT-30K480V + S3M30K UPS	

## 2. Important Safety Warnings

### SAVE THESE INSTRUCTIONS

This manual contains important instructions for models S3MT-20K480V and S3MT-30K480V that should be followed during installation and maintenance of the transformer and UPS.

-  **CAUTION! Risk of electrical shock!** Hazardous live parts inside this unit are energized from the transformer even when the breaker is turned off.
-  **WARNING!** The unit intended for installation in a controlled environment.
-  **CAUTION!** A transformer can present a risk of electric shock and high short circuit current. The following precaution should be observed when working on the transformer:
  - Remove watches, rings or other metal objects.
  - Use tools with insulated handles.

To reduce the risk of electric shock, disconnect the transformer and UPS from the mains supply before performing maintenance or service.

Servicing of the 3-phase transformer and UPS should be performed by Tripp Lite certified personnel with knowledge of the 3-phase transformer and UPS and all required precautions.

The transformer is extremely heavy. Caution should be taken in moving and positioning equipment. The instructions contained within this manual are important and should be closely followed at all times during installation and follow-up maintenance of the 3-phase transformer and UPS.



### CAUTION!

The transformer has a dangerous level of heat. If the transformer's front-panel red LED indicator is on, the unit's outlets may have a dangerous level of heat.

All servicing on this equipment must be carried out by Tripp Lite-certified service personnel.

Before conducting any maintenance, repair or shipment, first ensure everything is turned off completely and disconnected.

**Special Symbols** – The following symbols are used on the transformer to warn you of precautions:



RISK OF ELECTRIC SHOCK - Observe the warning that a risk of electric shock is present.



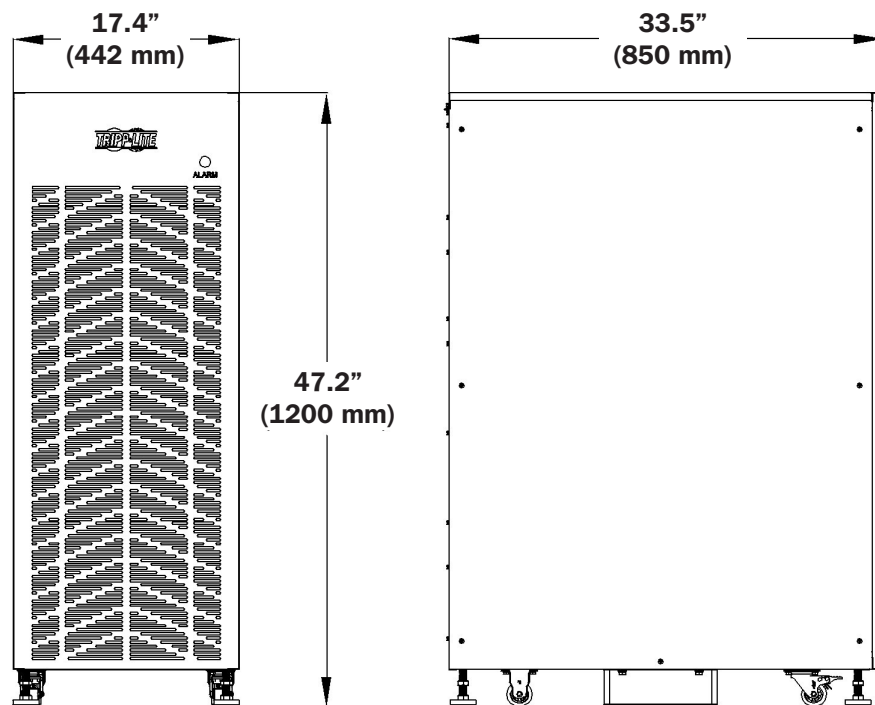
CAUTION - REFER TO THE OWNER'S MANUAL for information regarding important operating and maintenance instructions.



SAFE GROUNDING TERMINAL - Indicates THE primary safe ground.

## 3. Installation

### 3.1 Mechanical Data



### Physical Requirements

Leave space around the cabinet for operation and ventilation (Figure 3-1):

1. Leave at least 20 in. (500 mm) space in the front for ventilation
2. Leave at least 20 in. (500 mm) space at the right and left for operation
3. Leave at least 20 in. (500 mm) space at the back for ventilation

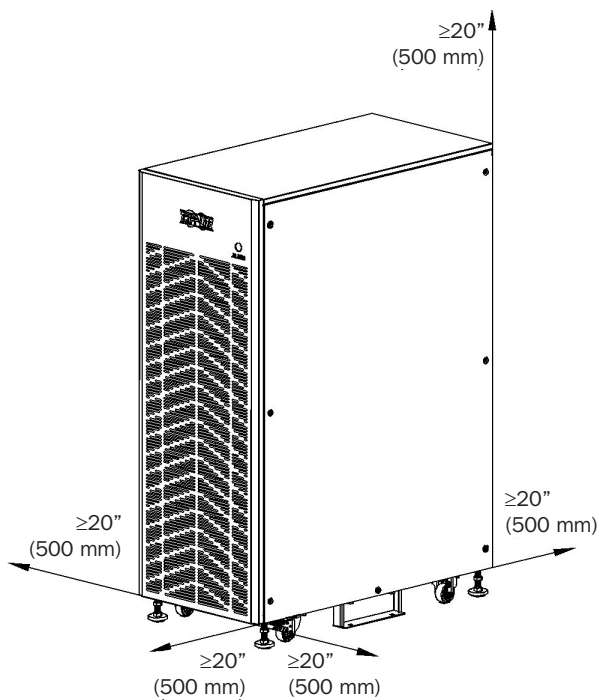


Figure 3-1

## 3. Installation

### 3.2 Package Inspection

1. Don't lean the transformer cabinet when removing it from the packaging.
2. Check the appearance to see if the transformer cabinet was damaged during transport. Do not power on the transformer cabinet if any damage is found. Contact the dealer immediately.
3. Check the accessories against the packing list and contact the dealer in case of missing parts.

### 3.3 Unpacking the UPS

1. Hold the sliding plate steady. Cut and remove the binding straps (Figure 3-2).
2. Remove the plastic bag and the outer carton (Figure 3-3).

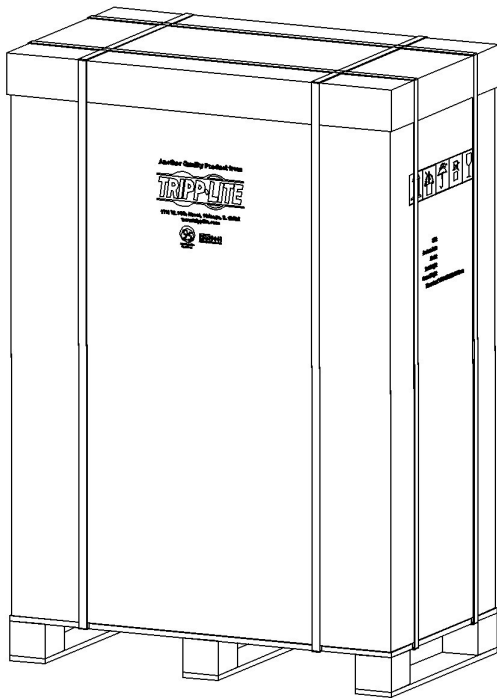


Figure 3-2

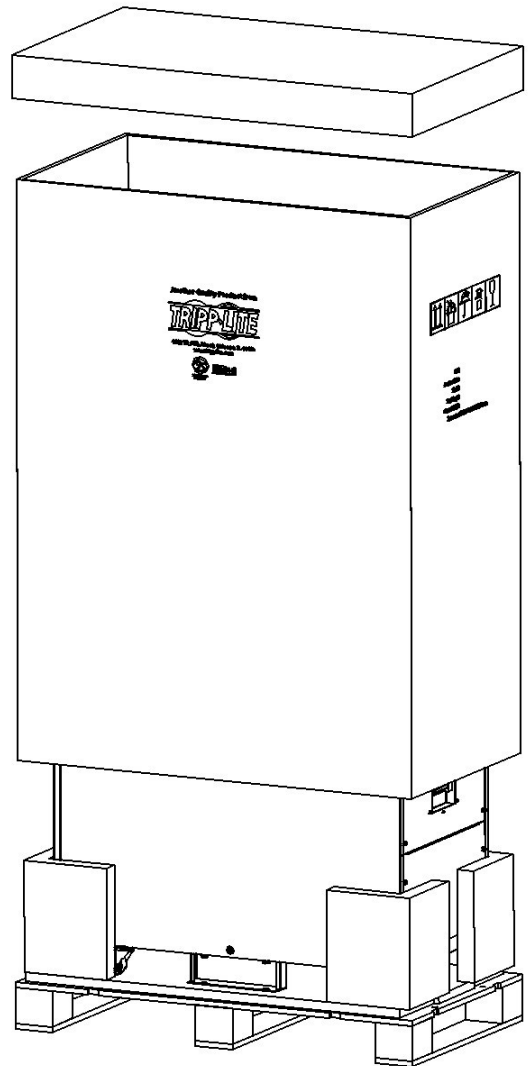
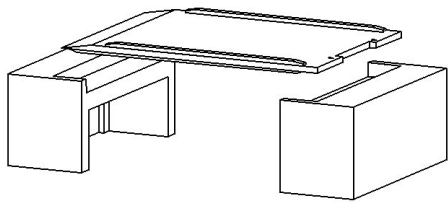


Figure 3-3

### 3. Installation

3. Remove the foam packing material and the beveled pallet (Figure 3-4).



4. Unfasten the screws and remove the sheet metal affixed to the cabinet (Figure 3-5).

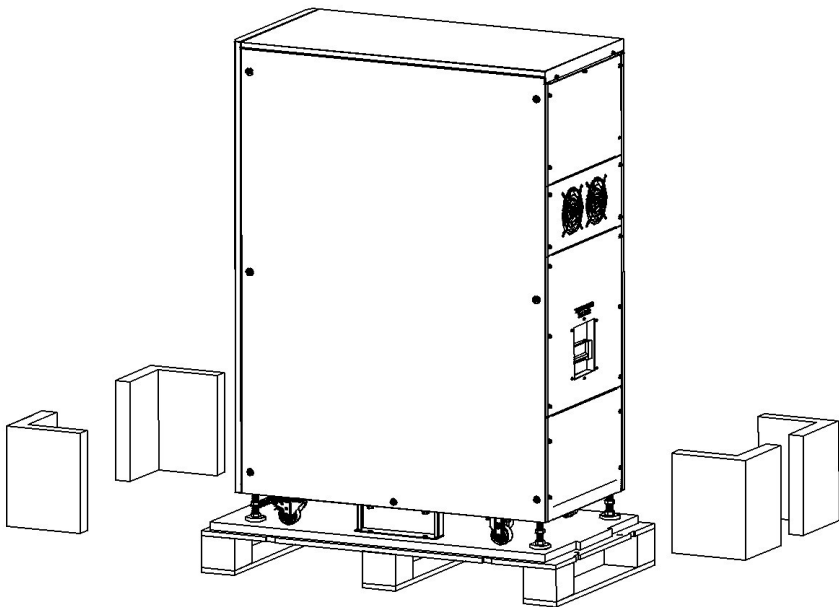


Figure 3-4

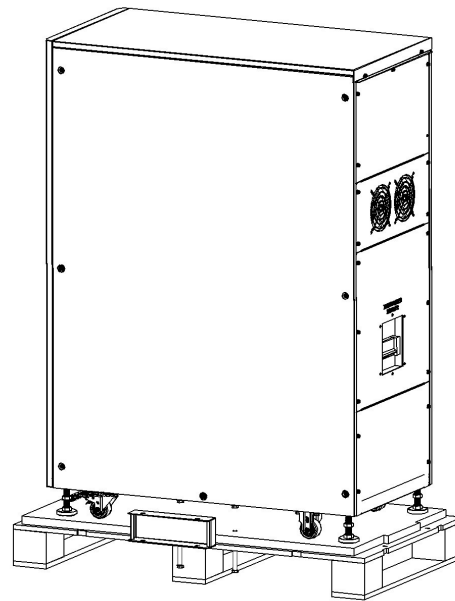


Figure 3-5

5. Slowly slide the unit from the pallet (Figures 3-6A and 3-6B).

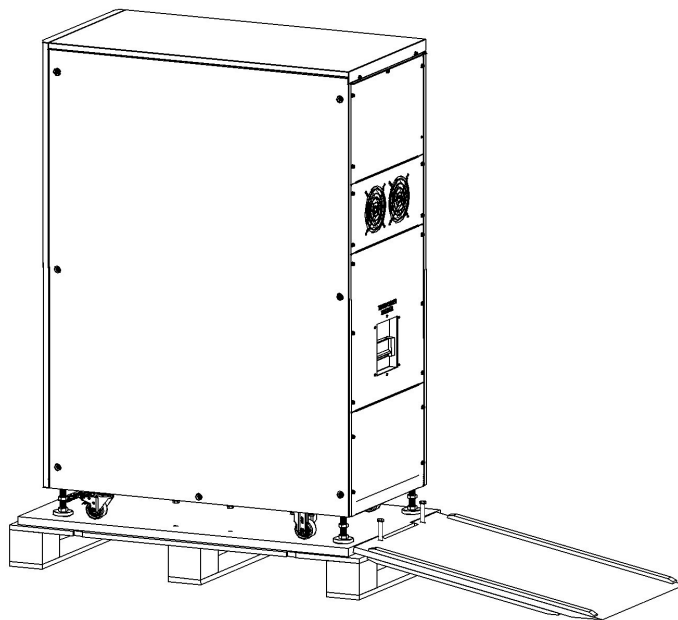


Figure 3-6A

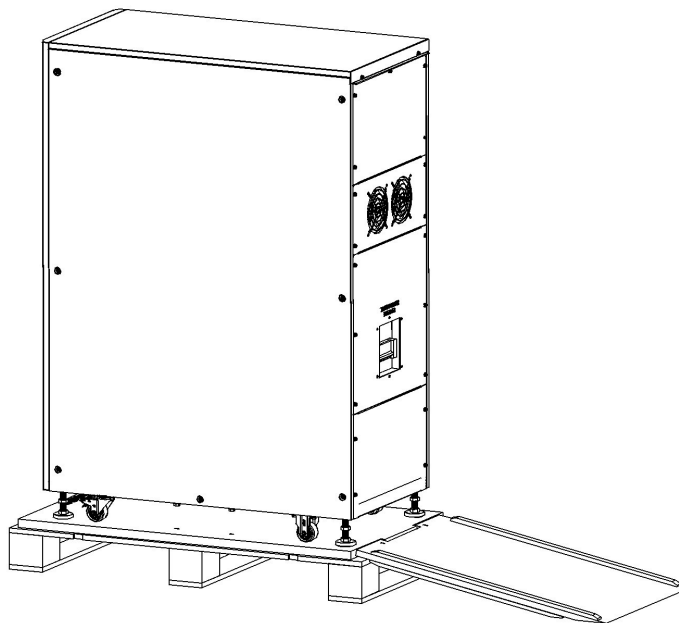


Figure 3-6B

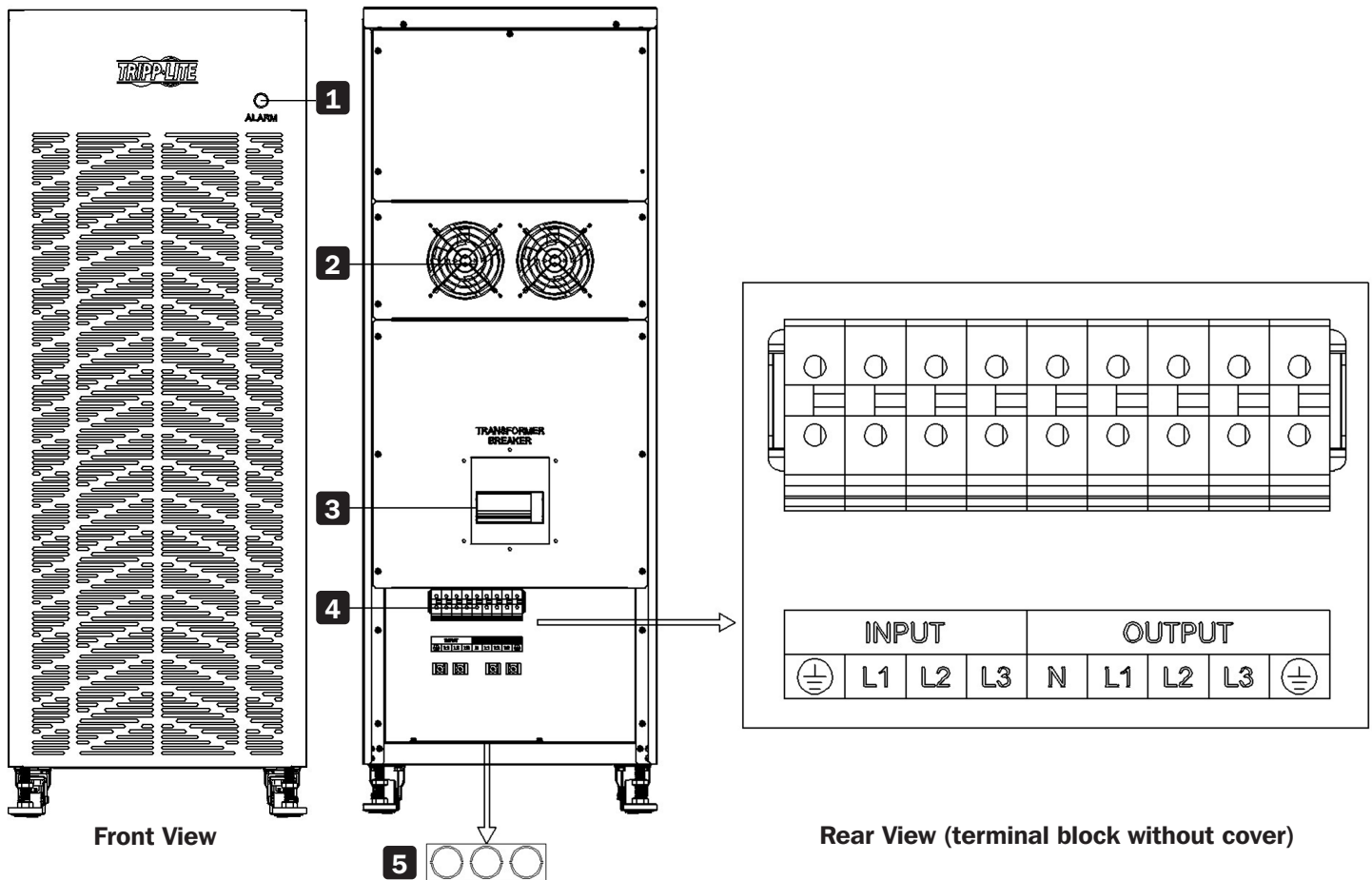


# 3. Installation

## 3.4 Package Contents

Contents	TL P/N	S3MT-20K480V	S3MT-30K480V
Input Transformer		1	1
Owners Manual	933D03	1	1

## 3.5 Cabinet Overview



- 1** Over-Temperature Alarm LED
- 2** Cooling Fans
- 3** Breaker with Trip
- 4** Cabling Terminals
- 5** Bottom Entry Knockouts  
(for Power Cable Entry and Exit)

## 3. Installation

### 3.6 Power Cables

The cable design shall comply with the voltages and currents provided in this section, and in accordance with local electrical codes.



#### WARNING!

UPON STARTUP, ENSURE YOU ARE AWARE OF THE LOCATION AND OPERATION OF THE EXTERNAL ISOLATORS CONNECTED TO THE UPS INPUT/BYPASS SUPPLY OF THE UTILITY DISTRIBUTION PANEL.

ENSURE THESE SUPPLIES ARE ELECTRICALLY ISOLATED AND POST ANY NECESSARY WARNING SIGNS TO PREVENT INADVERTENT OPERATION.

#### Cable Sizes

UPS Model	Cable Sizes (THHW wiring at 75°C)							
	AC Input		AC Output		Neutral		Grounding	
	Gauge	Torque	Gauge	Torque	Gauge	Torque	Gauge	Torque
<b>S3MT-20K480V</b>	10 AWG Max. 4 AWG	6.5 N•m	4 AWG Max. 4 AWG	6.5 N•m	4 AWG Max. 4 AWG	6.5 N•m	4 AWG Max. 4 AWG	6.5 N•m
<b>S3MT-30K480V</b>	6 AWG Max. 3 AWG	6.5 N•m	3 AWG Max. 3 AWG	6.5 N•m	3 AWG Max. 3 AWG	6.5 N•m	3 AWG Max. 3 AWG	6.5 N•m

## 3. Installation

### 3.7 Transformer-to-UPS Connection Line Diagram

Connections are shown below for the cabinet with built-in input isolator transformer, breakers and the red over-temperature LED.

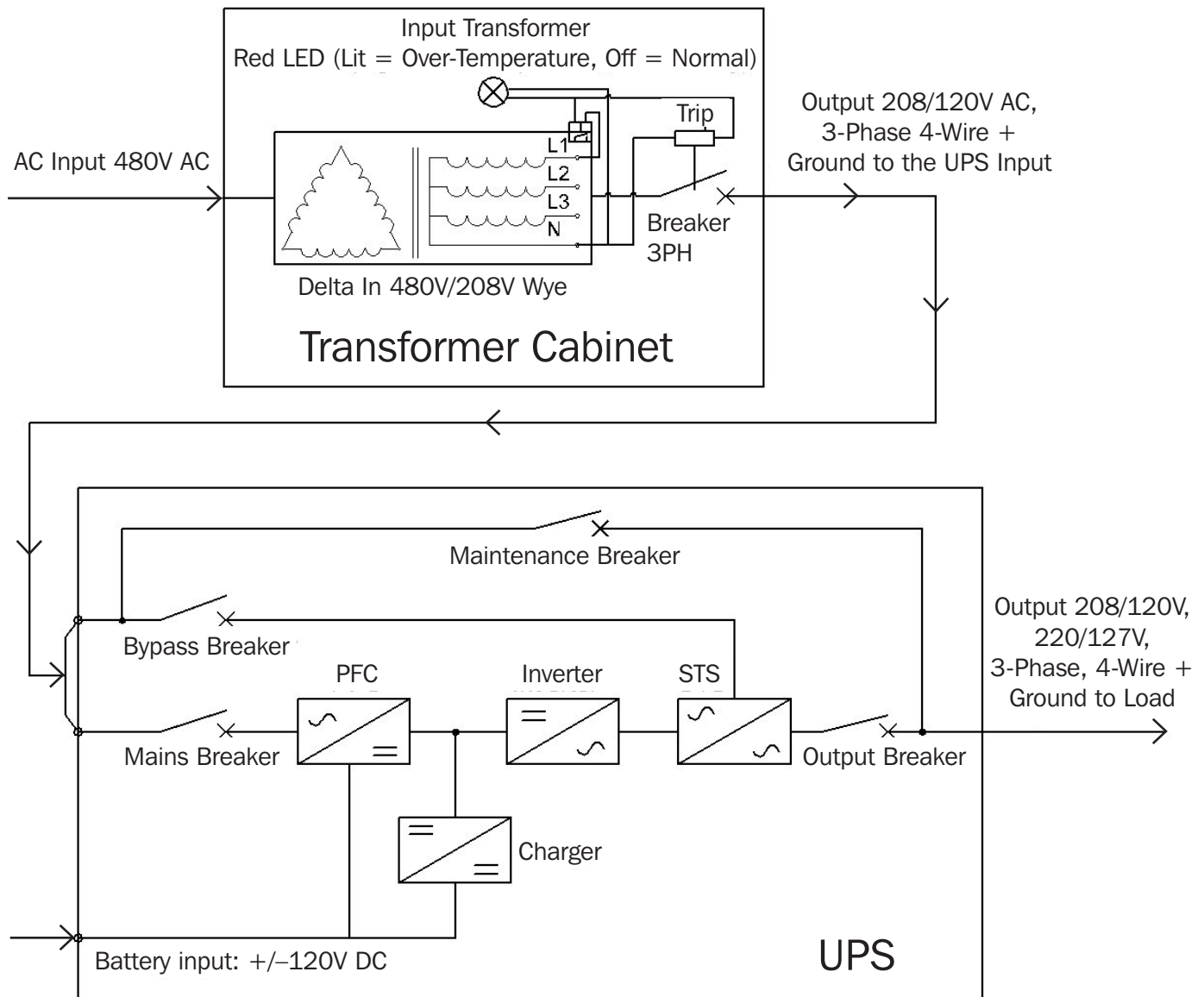


Figure 3-7: Connection Line Diagram for S3MT-20K480V / S3MT-30K480V

# 3. Installation

## 3.8 Transformer-to-UPS Connections



**WARNING:** The transformer output neutral is not bonded to chassis ground. Please provide a means to connect the transformer chassis ground to the transformer output neutral.

**Note:** The transformer chassis ground must be connected to earth ground.



**IMPORTANT:** You may view and/or download this manual from the [triplite.com](http://triplite.com) website to view the cable connections in colors.

### 3.8.1 Connection for S3MT-20K480V to S3M20K3B UPS

Transformer input is Delta 3-Wire (3Ph + Ground). Transformer output is Wye 4-Wire (3Ph + N + Ground).

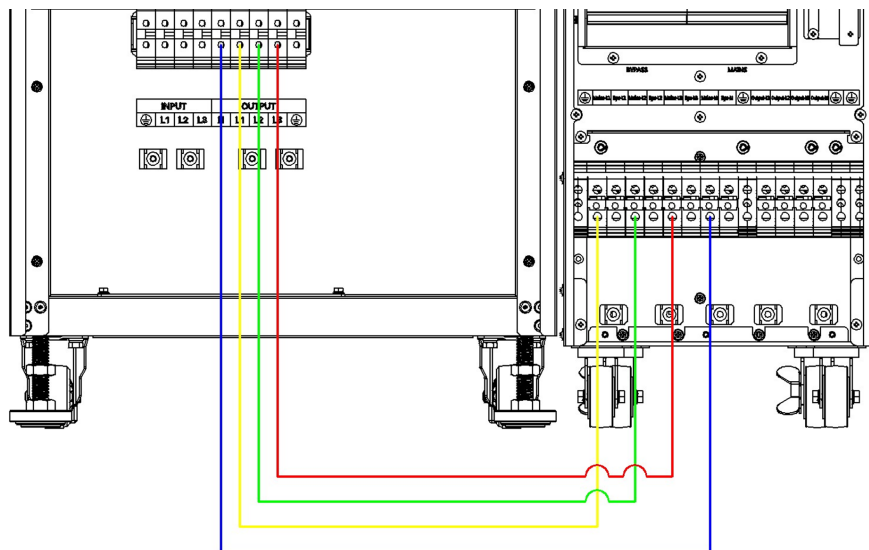


Figure 3-8: Transformer cabinet (Rear view)

UPS (Rear view)

### 3.8.2 Connection for S3MT-30K480V to S3M25K or S3M30K UPS

Transformer input is Delta 3-Wire (3Ph + Ground). Transformer output is Wye 4-Wire (3Ph + N + Ground).

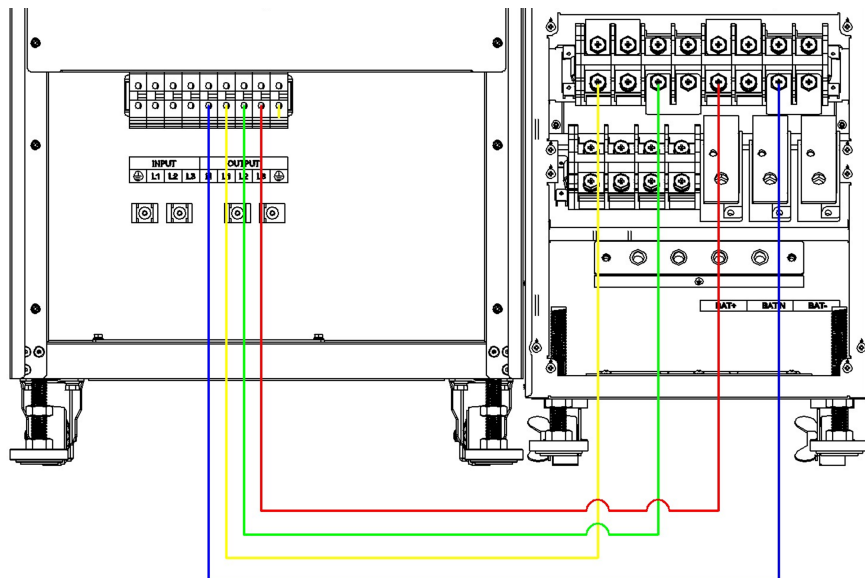


Figure 3-9: Transformer cabinet (Rear view)

UPS (Rear view)

## 4. Operation



**WARNING:** It is not advised to connect two UPS in parallel when using individual transformers for each UPS.

### 4.1 Over-Temperature Protection

#### 4.1.1 Over-Temperature Red Warning LED

The transformer includes a warning LED light on the top portion of the front panel. The light turns ON when the transformer reaches a temperature of  $160^{\circ}\text{C} \pm 5^{\circ}\text{C}$ , i.e. a range of  $155^{\circ}\text{C}$  to  $165^{\circ}\text{C}$  ( $311^{\circ}\text{F}$  to  $329^{\circ}\text{F}$ ). The light turns OFF when the transformer cools to a temperature of  $125^{\circ}\text{C} \pm 5^{\circ}\text{C}$ , i.e. a range of  $120^{\circ}\text{C}$  to  $130^{\circ}\text{C}$  ( $248^{\circ}\text{F}$  to  $266^{\circ}\text{F}$ ).

#### 4.1.2 Over-Temperature Protection Relay and Thermal Switch

The transformer includes an over-temperature protection relay and thermal switch to protect the transformer from overheating. At temperatures of  $160^{\circ}\text{C} \pm 5^{\circ}\text{C}$ , i.e. a range of  $155^{\circ}\text{C}$  to  $165^{\circ}\text{C}$  ( $311^{\circ}\text{F}$  to  $329^{\circ}\text{F}$ ), an over-temperature protection relay and thermal switch will activate and will open the output breaker of the transformer. Once the transformer temperature has cooled down and the warning LED light has turned OFF, you may manually re-activate (close) the output breaker to restart normal operation.

## 5. Specifications

Models	S3MT-20K480V	S3MT-30K480V
Description	3-Phase 20k Input Isolation Transformer, Delta 480V/208V Wye	3-Phase 30k Input Isolation Transformer, Delta 480V/208V Wye
Transformer Type	Dry-Type	
<b>Input</b>		
Input Voltage	480V	
Input Voltage Operational Range and De-Rating	-45%, +25% at 40 % load -20%, +25% at 100 % load	
Input Amps	35A	51A
Input Connections	3-Wire (L1, L2, L3 + PE)	
Input Configuration	Delta	
Input Connection Type	Terminal Block	
Rated AC Input Frequency	50/60 Hz	
Frequency Range and Derating	40~70 Hz	
Voltage Selection	No	
Voltage Drop: Ratio Output, No Load to Full Load	≤ 3%	
Inrush Current	≤300A (10 ms)	≤1010A (10 ms)
Input Isolation	Yes	
<b>Output</b>		
VA Rating	20kVA	30kVA
Transformer Output Voltage	208/120V, (3-Phase, 4-Wire)	
Output Amps	75A	83A
Transformer Output Breaker Rating	80A	125A
Output Watts Detailed	20,000W	30,000W
Output Connections	4-Wire (L1, L2, L3, +N, +PE)	
Output Connection Type	Terminal Block	
Output Configuration	Wye	
Input Transformer, Output Isolation	Yes	
<b>Operation</b>		
Over-Temperature Warning LED Light (Red)	Turns ON at 160°C ±5°C, i.e. a range of 155°C to 165°C (311°F to 329°F) Turns OFF at 125°C ±5°C, i.e. a range of 248°F to 266°F (120°C to 130°C)	
Over-Temperature Protection Reset Device	Transformer output turns OFF at temperatures of 160°C ±5°C, i.e. a range of 155°C to 165°C (311°F to 329°F). The transformer output breaker can be turned ON manually when the warning light turns OFF.	
Insulation Class	180°C	
Temperature Rise	125°C	
Full Load Efficiency	95.00%	95.20%
Half Load Efficiency	96.50%	97.50%
<b>Physical Info</b>		
Unit Height	47.2 in. (1200 mm)	
Unit Width	17.4 in. (442 mm)	
Unit Depth	33.5 in. (850 mm)	
Unit Weight	430 lb. (195 kg)	617 lb. (280 kg)

## 5. Specifications

Models	S3MT-20K480V	S3MT-30K480V
Floor Loading	519 (kg/m <sup>2</sup> )	745 (kg/m <sup>2</sup> )
Unit Carton Height	55.6 in. (1411 mm)	55.6 in. (1411 mm)
Unit Carton Width	22.2 in. (563 mm)	22.2 in. (563 mm)
Unit Carton Depth	38.2 in. (970 mm)	38.2 in. (970 mm)
Unit Carton Weight	485 lb. (220 kg)	712 lb. (323 kg)
Tip-n-Tell Label Included on Overpack Box	Yes	
<b>Environment</b>		
Audible Noise at 1 m	65 dB max.	
RH Humidity, Non-Condensing	95%	
Online Thermal Dissipation, Full Load ( BTU/hr)	3413	4915
Storage Temperature	5°F to 140°F (-15°C to 60°C)	
Operating Temperature	32°F to 104°F (0°C to 40°C)	
Operating Elevation	<1000 m for nominal power (over 1000 m, the power de-rating is 1% per 100 m)	
<b>Mechanical</b>		
Transformer Windings	Aluminum	
Cabinet Material	Cold Rolled Galvanized Steel (SGCC)	
Cabinet Color	RAL 9011	
Fan (Type/Quantity)	2x Ball Bearing, 120 mm (288 total CFM)	
<b>Reliability</b>		
Vibration	ISTA - 3B	
Shock	ISTA - 3B	
Drop	ISTA - 3B (Tip Test)	
<b>Agency Approvals</b>		
Approving Agency	cTUVs	
Agency Standard Tested	UL 1778 5th Edition	
Canadian Approvals	CSA 22.2-107.3-14	
CE Approvals	N/A	
EMI Approvals	N/A	
RoHS/REACH	Yes	Yes

## 6. Storage

Before storing the isolation transformer, ensure all connections have been disconnected and all breakers are turned OFF. Replace all input or output access covers to avoid damaging any contacts.

The transformer must be stored in a clean, secure environment with temperatures between 5°F to 140°F (-15°C to 60°C) and relative humidity less than 90% (non-condensing).

Store the transformer in its original shipping container, if possible.



**WARNING: The transformer(s) is/are very heavy. Before storing the transformer, make sure to take into account the floor loading (kg/m<sup>2</sup>) requirements listed in section 5. Specifications under “Physical Info” to store safely.**

# 7. Warranty and Regulatory Compliance

## Limited Warranty

Seller warrants this product, if used in accordance with all applicable instructions, to be free from original defects in material and workmanship for a period of 2 years from the date of initial purchase. If the product should prove defective in material or workmanship within that period, Seller will repair or replace the product, in its sole discretion. Service under this Warranty includes parts only. International customers should contact Tripp Lite support at [intlservice@tripplite.com](mailto:intlservice@tripplite.com). Continental USA customers should contact Tripp Lite Customer Service at 773-869-1234 or visit [tripplite.com/support/help](http://tripplite.com/support/help)

THIS WARRANTY DOES NOT APPLY TO NORMAL WEAR OR TO DAMAGE RESULTING FROM ACCIDENT, MISUSE, ABUSE OR NEGLIGENCE. SELLER MAKES NO EXPRESS WARRANTIES OTHER THAN THE WARRANTY EXPRESSLY SET FORTH HEREIN. EXCEPT TO THE EXTENT PROHIBITED BY APPLICABLE LAW, ALL IMPLIED WARRANTIES, INCLUDING ALL WARRANTIES OF MERCHANTABILITY OR FITNESS, ARE LIMITED IN DURATION TO THE WARRANTY PERIOD SET FORTH ABOVE; AND THIS WARRANTY EXPRESSLY EXCLUDES ALL INCIDENTAL AND CONSEQUENTIAL DAMAGES. (Some states do not allow limitations on how long an implied warranty lasts, and some states do not allow the exclusion or limitation of incidental or consequential damages, so the above limitations or exclusions may not apply to you. This Warranty gives you specific legal rights, and you may have other rights, which vary from jurisdiction to jurisdiction.)

Tripp Lite; 1111 W. 35th Street; Chicago IL 60609; USA

WARNING: The individual user should take care to determine prior to use whether this device is suitable, adequate or safe for the use intended. Since individual applications are subject to great variation, the manufacturer makes no representation or warranty as to the suitability or fitness of these devices for any specific application.

## Product Registration

Visit [tripplite.com/warranty](http://tripplite.com/warranty) today to register your new Tripp Lite product. You will be automatically entered into a drawing for a chance to win a FREE Tripp Lite product!\*

\* No purchase necessary. Void where prohibited. Some restrictions apply. See website for details.

## WEEE Compliance Information for Tripp Lite Customers and Recyclers (European Union)



Under the Waste Electrical and Electronic Equipment (WEEE) Directive and implementing regulations, when customers buy new electrical and electronic equipment from Tripp Lite they are entitled to:

- Send old equipment for recycling on a one-for-one, like-for-like basis (this varies depending on the country)
- Send the new equipment back for recycling when this ultimately becomes waste

Use of this equipment in life support applications where failure of this equipment can reasonably be expected to cause the failure of the life support equipment or to significantly affect its safety or effectiveness is not recommended.

Tripp Lite has a policy of continuous improvement. Specifications are subject to change without notice. Photos and illustrations may differ slightly from actual products.



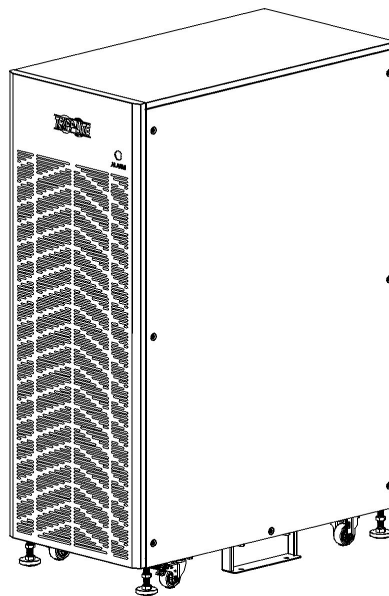
1111 W. 35th Street, Chicago, IL 60609 USA • [tripplite.com/support](http://tripplite.com/support)



# Manual del Propietario

## Transformadores de Entrada Trifásica de la Serie **S3MT: 480V - 208V**

Modelos: S3MT-20K480V, S3MT-30K480V



English 1 • Français 33



1111 W. 35th Street, Chicago, IL 60609 EE. UU. • [tripplite.com/support](http://tripplite.com/support)

Copyright © 2021 Tripp Lite. Todos los derechos reservados.

# Índice

<b>1. Introducción .....</b>	<b>19</b>
<b>2. Advertencias Importantes de Seguridad .....</b>	<b>21</b>
<b>3. Instalación .....</b>	<b>22</b>
<b>3.1 Datos Mecánicos .....</b>	<b>22</b>
<b>3.2 Inspección del Empaque .....</b>	<b>23</b>
<b>3.3 Desempacado del UPS.....</b>	<b>23</b>
<b>3.4 Contenido del Empaque .....</b>	<b>25</b>
<b>3.5 Descripción General del Gabinete .....</b>	<b>25</b>
<b>3.6 Cables de Alimentación .....</b>	<b>26</b>
<b>3.7 Diagrama de la Línea de Conexión del Transformador al UPS .....</b>	<b>27</b>
<b>3.8 Conexiones del Transformador al UPS.....</b>	<b>28</b>
<b>3.8.1 Conexión para el UPS S3MT-20K480V a S3M20K3B .....</b>	<b>28</b>
<b>3.8.2 Conexión para el UPS S3MT-30K480V a S3M25K o S3M30K .....</b>	<b>28</b>
<b>4. Operaciones .....</b>	<b>29</b>
<b>4.1 Protección contra Sobretemperatura .....</b>	<b>29</b>
<b>4.1.1 LED Roja de Advertencia de Sobretemperatura .....</b>	<b>29</b>
<b>4.1.2 Relevador de Protección contra Sobretemperatura y Switch Térmico .....</b>	<b>29</b>
<b>5. Especificaciones.....</b>	<b>30</b>
<b>6. Almacenamiento .....</b>	<b>31</b>
<b>7. Garantía y Cumplimiento Normativo .....</b>	<b>32</b>

# 1. Introducción

Los transformadores de aislamiento de Entrada S3MT-20K480V y S3MT-30K480V de Tripp Lite proporcionan reducción de 480V (Delta) a 208V (Estrella [Wye]) y protección de aislamiento al UPS conectado y su carga.

El transformador tiene aislamiento de entrada para mitigar sobretensiones en la línea de la red pública, mientras protege el UPS. El transformador incluye para protección un breaker incorporado en el lado de salida del transformador. Dos ventiladores con cojinetes de bolas mantienen una operación silenciosa. Un relevador y un switch de detección de sobrecalentamiento se combinan con una luz de advertencia para proporcionar advertencia de sobrecalentamiento y protección contra sobrecalentamiento. El tamaño de base pequeño y el perfil acústico silencioso del sistema UPS permiten instalaciones con un impacto mínimo de ruido y espacio. Todos los modelos de transformadores cuentan con robustos gabinetes de acero inoxidable con paneles frontales similares a la línea de UPS trifásico serie S3M de 208V.

Modelo de UPS	Número de serie	Capacidad	Descripción
S3MT-20K480V	AG-050B	20kW	Transformador de Aislamiento de Entrada de 480V a 208V
S3MT-30K480V	AG-050C	30kW	Transformador de Aislamiento de Entrada de 480V a 208V

## Aplicaciones típicas

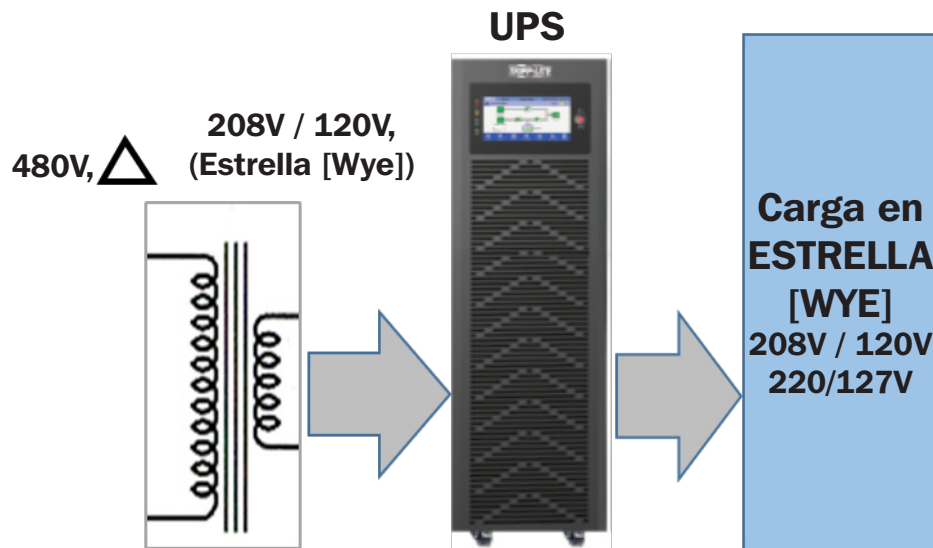
Cargas de equipo de TI de 4 hilos (3Ph+N+PE) en instalaciones gubernamentales, manufactureras, hospitales, instalaciones industriales y corporativas que tengan una alimentación eléctrica de 480V y cargas de TI de 208V / 120V.

## Características Sobresalientes

- Protección de aislamiento para la entrada del UPS, con entrada reducida de 480V (Delta) a 208V/120V (Estrella [Wye])
- Breaker y protección contra sobrecalentamiento
- Eficiencia de 95% a 97.5%
- Amplio rango de voltaje y frecuencia de operación de entrada  
Voltaje: -20% a +25% @ 100% de carga y 40Hz ~ 70Hz
- Clase de aislamiento: material de 180 °C
- Probado por confiabilidad de acuerdo con ISTA-3B para vibración, impacto, caída (prueba de volteo)
- Certificaciones de UL y CSA TUV
- Robusto gabinete de acero inoxidable embarcado listo para instalación
- Garantía de 2 años

# 1. Introducción

## Configuración Típica




Estos Transformadores con Entrada de 480V pueden comprarse por separado o como parte del modelo de juego con un UPS trifásico de la Serie S3M de Tripp Lite:

Modelos de Transformador de Entrada		Carga Constante Máxima	Compatible con UPS Trifásicos de 208V	Modelos de Juegos: UPS + Transformador	
				Modelos de Juegos	Los Modelos de Juegos Incluyen
480V	S3MT-20K480V	20kW	UPS de 10kW ~ 20kW	S3M20K-20K4T	UPS S3MT-20K480V + S3M20K3B
	S3MT-30K480V	30kW	UPS de 20kW ~ 30kW	S3M25K-30K4T	UPS S3MT-30K480V + S3M25K
S3M30K-30K4T				UPS S3MT-30K480V + S3M30K	

## 2. Advertencias Importantes de Seguridad

### GUARDE ESTAS INSTRUCCIONES

Este manual contiene instrucciones importantes para los modelos S3MT-20K480V y S3MT-30K480V que deben seguirse durante la instalación y mantenimiento del transformador y UPS.

 **¡PRECAUCIÓN! ¡Riesgo de descarga eléctrica!** Partes conductoras peligrosas dentro de esta unidad están energizadas desde el transformador incluso cuando el breaker está apagado.

 **¡ADVERTENCIA!** La unidad está diseñada para instalarse en un entorno controlado.

 **¡PRECAUCIÓN!** Un transformador puede presentar un riesgo de descarga eléctrica y alta corriente de cortocircuito. Debe observarse la siguiente precaución al trabajar en el transformador:

- Retire relojes, anillos u otros objetos metálicos.
- Use herramientas con mangos aislados.

Para reducir el riesgo de descarga eléctrica, desconecte el transformador y el UPS de la alimentación principal antes de realizar mantenimiento o servicio.

El servicio al transformador trifásico y al UPS debe ser realizado por personal certificado por Tripp Lite con conocimiento del transformador trifásico y el UPS y todas las precauciones requeridas.

El transformador es extremadamente pesado. Se debe tener cuidado al mover y posicionar el equipo. Las instrucciones contenidas en este manual son importantes y deben seguirse fielmente en todo momento durante la instalación y mantenimiento de seguimiento del transformador trifásico y el UPS.



### ¡PRECAUCIÓN!

El transformador tiene un nivel peligroso de calor. Si el indicador LED rojo del panel frontal del transformador está encendido, los tomacorrientes de la unidad pueden tener un nivel peligroso de calor.

Todo el servicio en este equipo debe ser realizado por personal de servicio certificado por Tripp Lite.

Antes de realizar cualquier mantenimiento, reparación o embarque, asegúrese primero de que todo esté completamente apagado y desconectado.

**Símbolos Especiales** – Se usan los siguientes símbolos en el transformador para advertirle de las precauciones:



RIESGO DE DESCARGA ELÉCTRICA - Observe la advertencia de que existe un riesgo de descarga eléctrica.



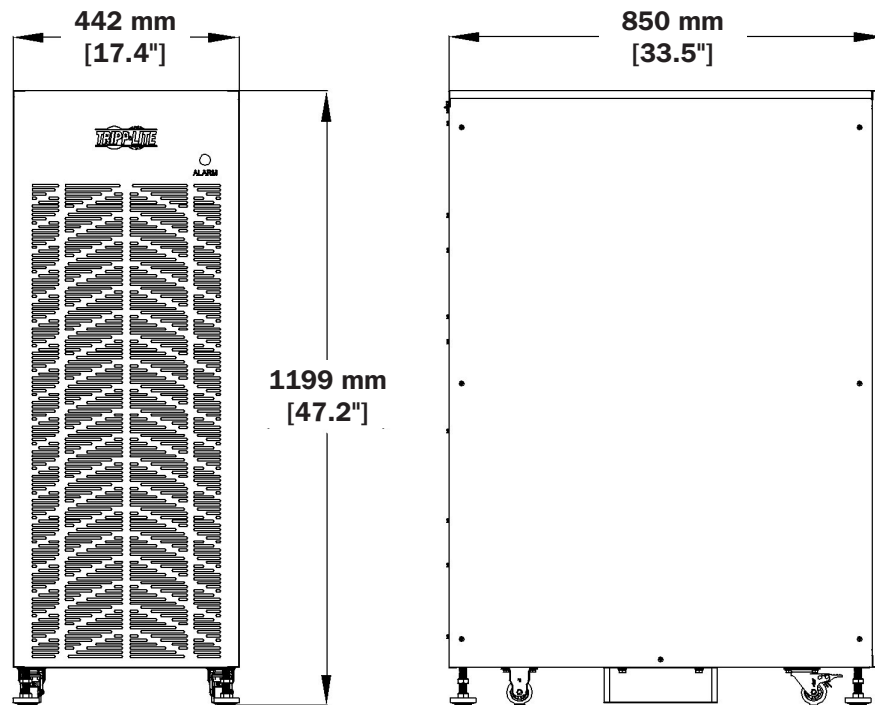
PRECAUCIÓN - CONSULTE EL MANUAL DEL PROPIETARIO para obtener información sobre instrucciones importantes de operación y mantenimiento.



TERMINAL DE CONEXIÓN A TIERRA SEGURA - indica LA conexión primaria a tierra segura.

## 3. Instalación

### 3.1 Datos Mecánicos



### Requerimientos Físicos

Deje espacio alrededor del gabinete para operación y ventilación (Figura 3-1):

1. Deje al menos 500 mm [20"] de espacio en el frente para ventilación.
2. Deje al menos 500 mm [20"] de espacio a la derecha e izquierda para su operación.
3. Deje al menos 500 mm [20"] de espacio en la parte posterior para ventilación.

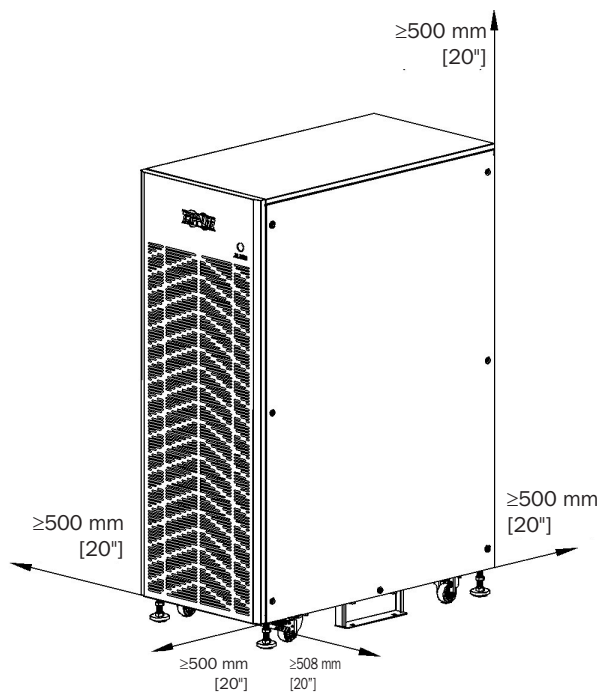


Figura 3-1

## 3. Instalación

### 3.2 Inspección del Empaque

1. No incline el gabinete del transformador al retirarlo del empaque.
2. Compruebe la apariencia para ver si el gabinete del transformador fue dañado durante el transporte. No encienda el gabinete del transformador si se encuentra algún daño. Comuníquese inmediatamente con el distribuidor.
3. Compruebe los accesorios contra la lista de empaque y póngase en contacto con el distribuidor en caso de que falten piezas.

### 3.3 Desempaque del UPS

1. Mantenga estable la placa deslizante. Corte y retire las correas de sujeción (Figura 3-2).
2. Retire la bolsa de plástico y la caja exterior (Figura 3-3).

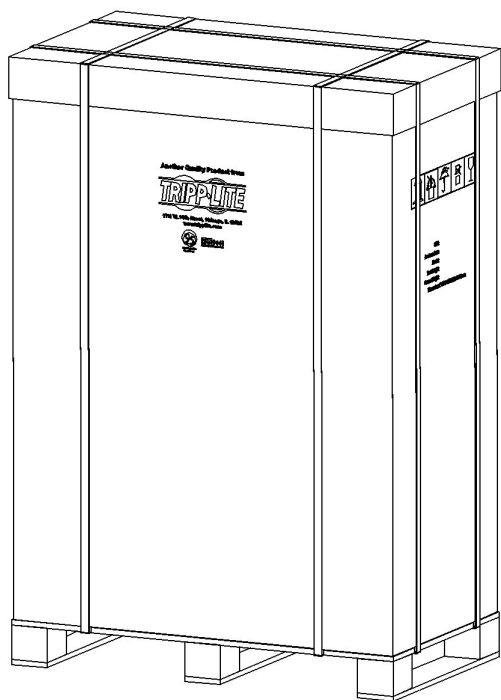


Figura 3-2

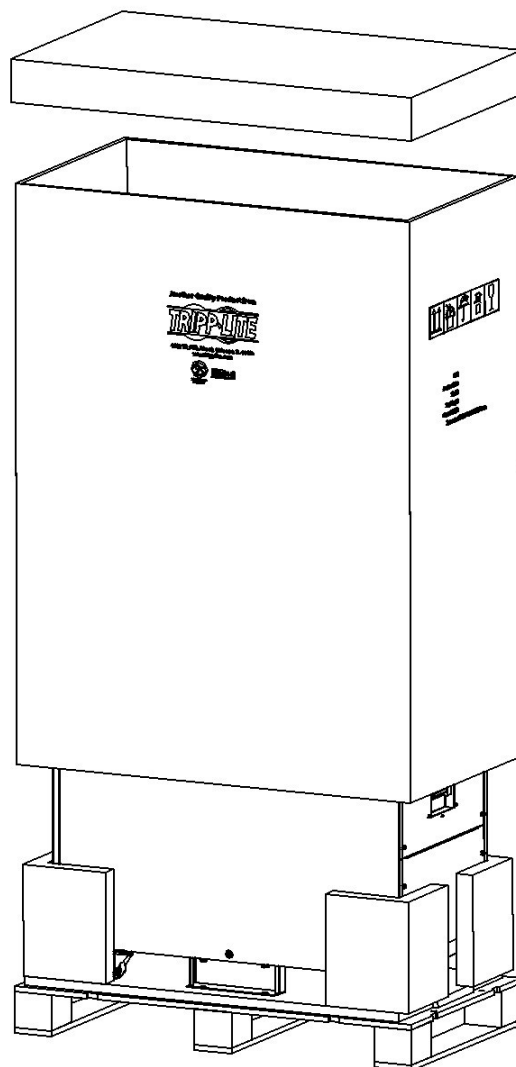
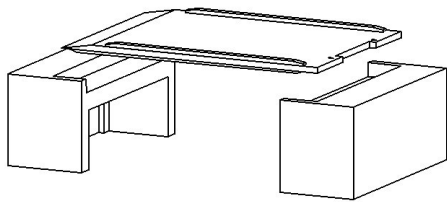


Figura 3-3

### 3. Instalación

3. Retire el material de empaque de espuma y la tarima biselada (Figura 3-4).



4. Afloje los tornillos y retire la lámina metálica fijada al gabinete (Figura 3-5).

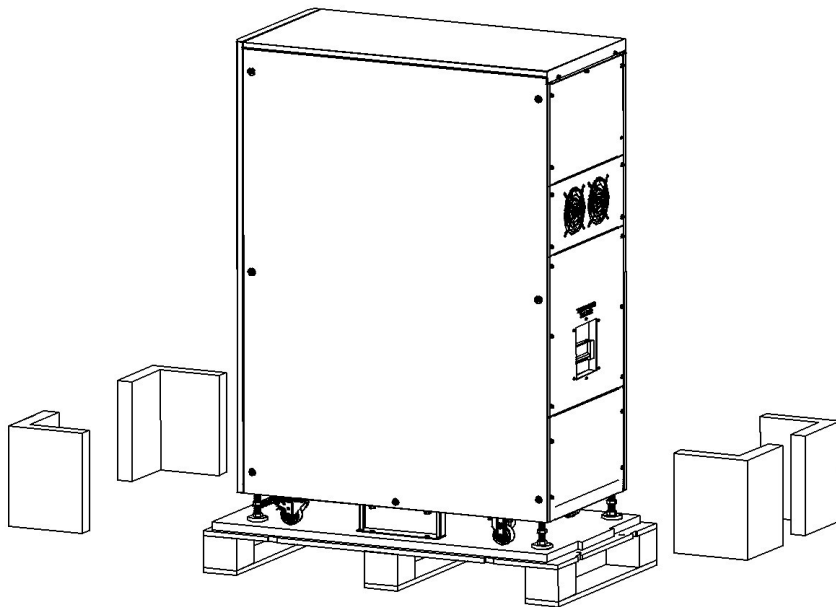


Figura 3-4

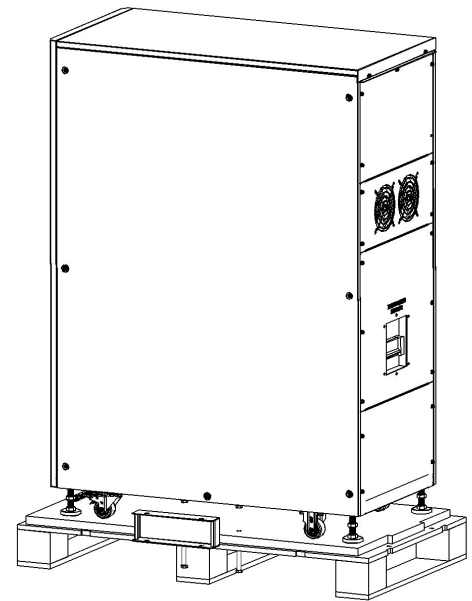


Figura 3-5

5. Deslice lentamente la unidad de la tarima (Figuras 3-6A y 3-6B).

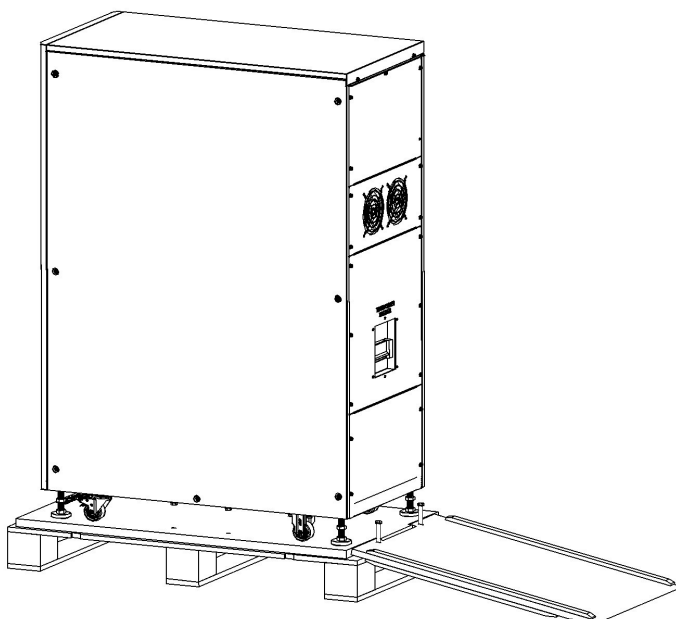


Figura 3-6A

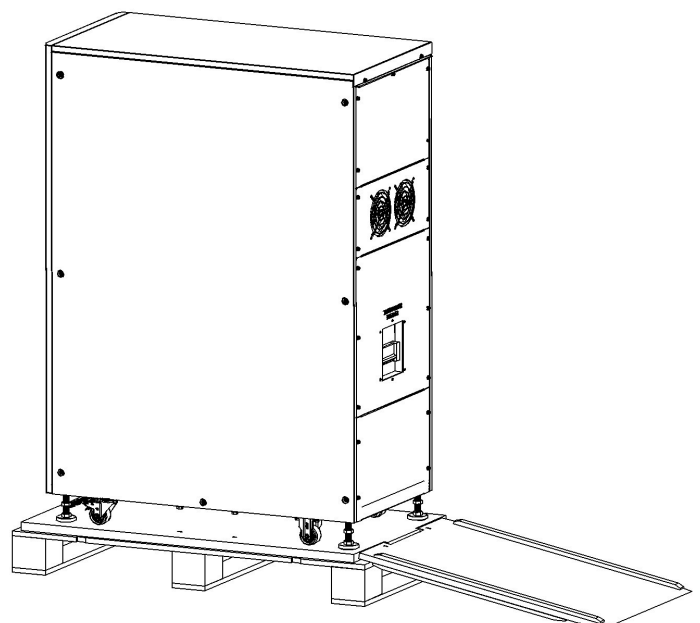


Figura 3-6B

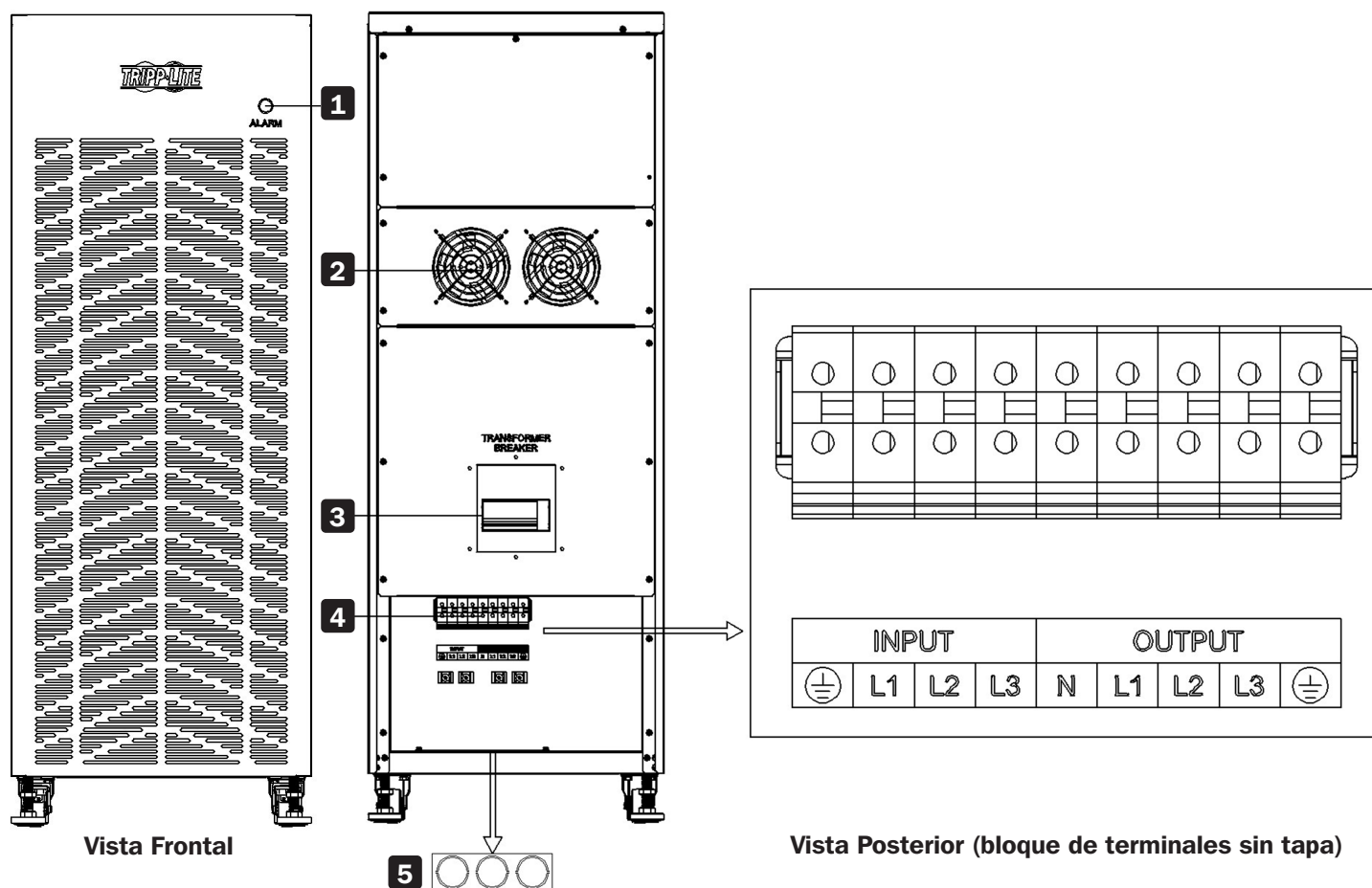


## 3. Instalación

### 3.4 Contenido del Empaque

Índice	TL P/N	S3MT-20K480V	S3MT-30K480V
Transformador de Entrada		1	1
Manual del Propietario	933D03	1	1

### 3.5 Descripción General del Gabinete



- 1** LED de Alarma de Sobretemperatura
- 2** Ventiladores de Enfriamiento
- 3** Breaker con Disparo
- 4** Terminales de Cableado
- 5** Recortes de Entrada Inferior  
(para Entrada y Salida de Cable de Alimentación)

## 3. Instalación

### 3.6 Cables de Alimentación

El diseño del cable deberá cumplir con los voltajes y corrientes proporcionados en esta sección, y con los códigos eléctricos locales.



#### ¡ADVERTENCIA!

AL ARRANQUE, ASEGÚRESE DE ESTAR ATENTO A LA UBICACIÓN Y OPERACIÓN DE LOS AISLADORES EXTERNOS CONECTADOS AL SUMINISTRO DE ENTRADA Y DERIVACIÓN DEL UPS DEL PANEL DE DISTRIBUCIÓN DE LA ENERGÍA DE LA RED PÚBLICA.

ASEGÚRESE DE QUE ESTAS ALIMENTACIONES ESTÉN AISLADAS ELÉCTRICAMENTE Y COLOQUE CUALQUIER SEÑAL DE ADVERTENCIA NECESARIA PARA EVITAR UNA OPERACIÓN INADVERTIDA

#### Tamaños de Cables

Modelo de UPS	Tamaños de Cable (Cableado THHW a 75 °C)							
	Entrada de CA		Salida de CA		Neutro		Conexión a Tierra	
	Calibre	Fuerza de Torsión (Torque)	Calibre	Fuerza de Torsión (Torque)	Calibre	Fuerza de Torsión (Torque)	Calibre	Fuerza de Torsión (Torque)
<b>S3MT-20K480V</b>	10 AWG Máximo 4 AWG	6.5 N •m	4 AWG Máx. 4 AWG	6.5 N •m	4 AWG Máximo 4 AWG	6.5 N •m	4 AWG Máx. 4 AWG	6.5 N •m
<b>S3MT-30K480V</b>	6 AWG Máximo 3 AWG	6.5 N •m	3 AWG Máx. 3 AWG	6.5 N •m	3 AWG Máximo 3 AWG	6.5 N •m	3 AWG Máx. 3 AWG	6.5 N •m

### 3. Instalación

#### 3.7 Diagrama de la Línea de Conexión del Transformador al UPS

Las conexiones se muestran a continuación para el gabinete con transformador aislador de entrada incorporado, breakers y el LED rojo de sobretensión.

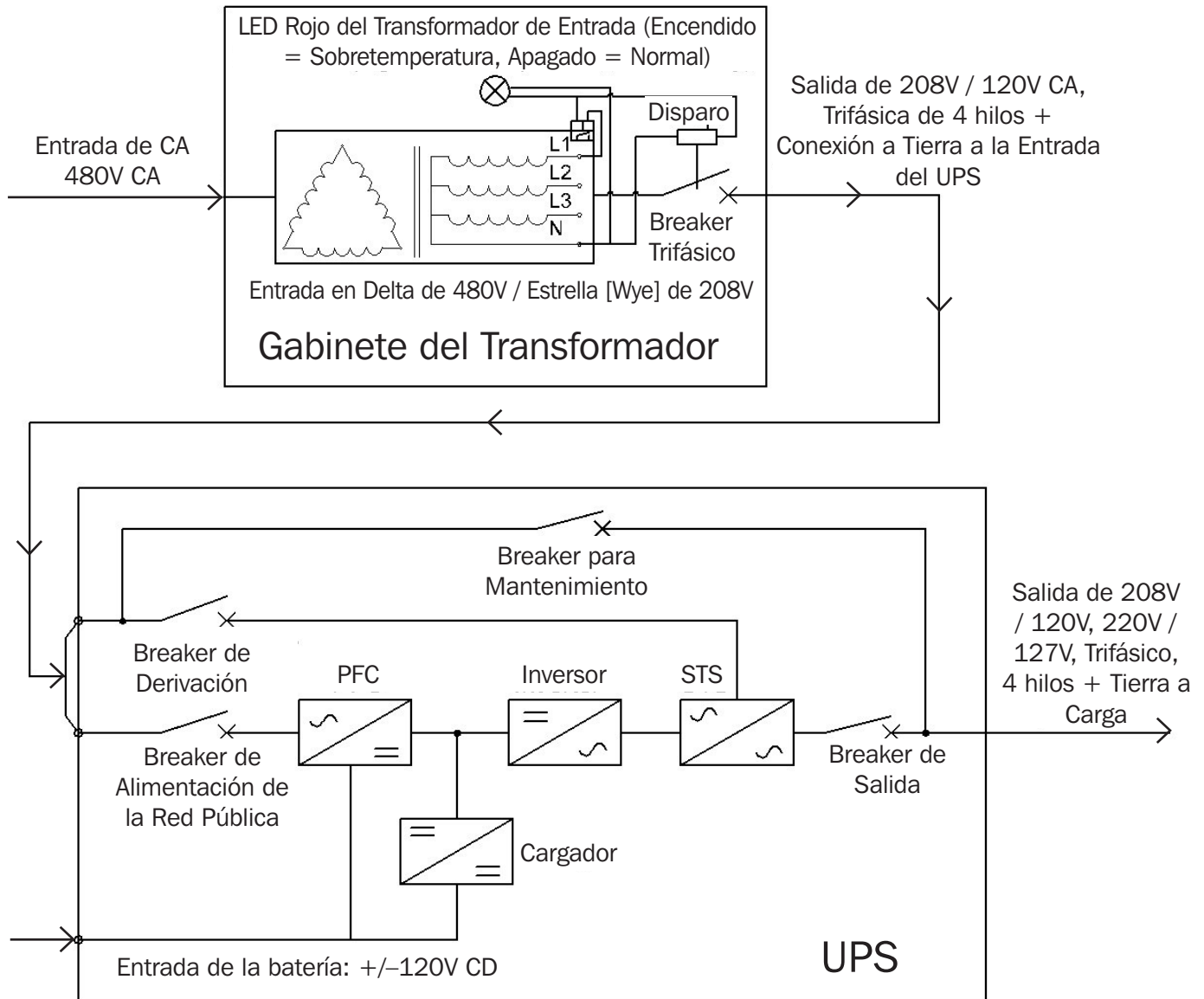


Figura 3-7: Diagrama de la Línea de Conexión para el S3MT-20K480V y S3MT-30K480V

## 3. Instalación

### 3.8 Conexiones del Transformador al UPS



**ADVERTENCIA:** El neutro de salida del transformador no está conectado a tierra del bastidor. Proporcione un medio para conectar la conexión a tierra del bastidor del transformador al neutro de salida del transformador.  
*Nota:* La conexión a tierra del bastidor del transformador debe conectarse a tierra física.



**IMPORTANTE:** Puede ver y/o descargar este manual desde el sitio web de [tripplite.com](http://tripplite.com) para ver las conexiones de los cables en colores.

#### 3.8.1 Conexión para UPS S3MT-20K480V a S3M20K3B

La entrada del transformador es Delta de 3 hilos (3Ph + tierra). La salida del transformador es Estrella [Wye] de 4 hilos (3Ph + N + tierra).

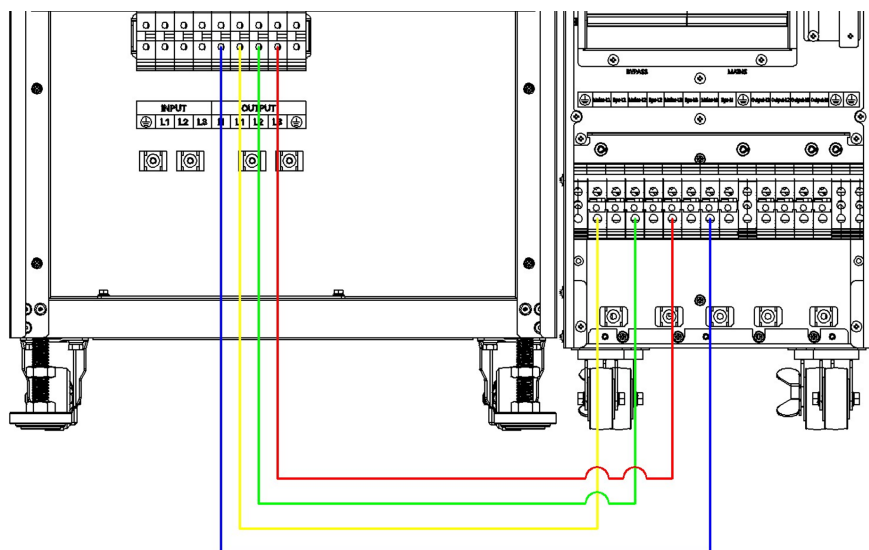


Figura 3-8: Gabinete del transformador (Vista posterior)

UPS (Vista posterior)

#### 3.8.2 Conexión para UPS S3MT-30K480V a S3M25K o S3M30K

La entrada del transformador es Delta de 3 hilos (3Ph + tierra). La salida del transformador es Estrella [Wye] de 4 hilos (3Ph + N + tierra).

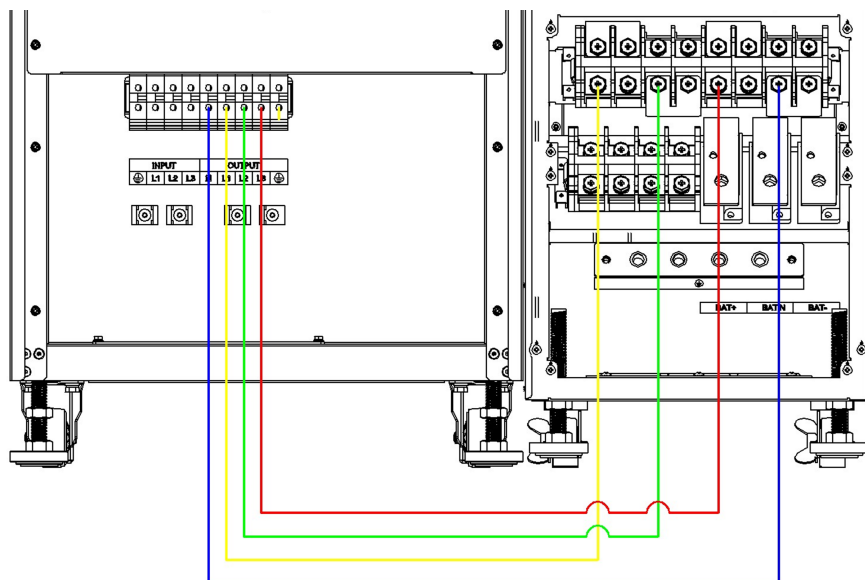


Figura 3-9: Gabinete del transformador (vista posterior) UPS (Vista posterior)

## 4. Operación



**ADVERTENCIA:** No se aconseja conectar dos UPS en paralelo al usar transformadores individuales para cada UPS.

### 4.1 Protección contra Sobretemperatura

#### 4.1.1 LED Rojo de Advertencia de Sobretemperatura

El transformador incluye una luz LED de advertencia en la parte superior del panel frontal. La luz se enciende cuando el transformador alcanza una temperatura de  $160\text{ °C} \pm 5\text{ °C}$ , es decir, un rango de  $155\text{ °C}$  a  $165\text{ °C}$  [ $311\text{ °F}$  a  $329\text{ °F}$ ]. La luz se apagará cuando la temperatura del transformador haya bajado (enfriado) a una temperatura de  $125\text{ °C} \pm 5\text{ °C}$ , es decir, un rango de  $120\text{ °C}$  a  $130\text{ °C}$  [ $248\text{ °F}$  a  $266\text{ °F}$ ].

#### 4.1.2 Relevador de Protección contra Sobretemperatura y Switch Térmico

El transformador incluye un relevador de protección contra sobrecalentamiento y un switch térmico para proteger al transformador contra sobrecalentamiento. A temperaturas de  $160\text{ °C} \pm 5\text{ °C}$ , es decir, un rango de  $155\text{ °C}$  a  $165\text{ °C}$  [ $311\text{ °F}$  a  $329\text{ °F}$ ], se activará un relevador de protección contra sobretemperatura y un switch térmico y abrirá el breaker de salida del transformador. Una vez que la temperatura del transformador haya bajado (enfriado) y la luz LED de advertencia se haya apagado, puede reactivar (cerrar) manualmente el breaker de salida para reiniciar la operación normal.

## 5. Especificaciones

Modelos	S3MT-20K480V	S3MT-30K480V
Descripción	Transformador Trifásico de Aislamiento de Entrada de 20k, Delta de 480V / Estrella [Wye] de 208V	Transformador Trifásico de Aislamiento de Entrada de 30k, Delta de 480V / Estrella [Wye] de 208V
Tipo de Transformador	Tipo Seco	
<b>Entrada</b>		
Voltaje de Entrada	480V	
Rango Operativo y Reducción de Voltaje de Entrada	-45%, +25% al 40 % de carga -20%, +25% al 100 % de carga	
Amperes de Entrada	35A	51A
Conexiones de Entrada	3 Hilos (L1, L2, L3 + PE)	
Configuración de Entrada	Delta	
Tipo de Conexión de Entrada	Bloque de Terminales	
Frecuencia de Entrada de CA Especificada	50Hz / 60Hz	
Rango y Reducción de Frecuencia	40Hz ~ 70Hz	
Selección de Voltaje	No	
Caída de Voltaje: Relación de Salida, Sin Carga a Plena Carga	≤ 3%	
Corriente de Arranque	≤300A (10 ms)	≤1010A (10 ms)
Aislamiento de Entrada	Sí	
<b>Salida</b>		
Especificación de VA	20 kVA	30kVA
Voltaje de Salida del Transformador	208/120V, (3-Phase, 4-Wire)	
Amperes de Salida	75A	83A
Especificación del Breaker de Salida del Transformador	80A	125A
Watts de Salida Detallados	20,000W	30,000W
Conexiones de Salida	4 Hilos (L1, L2, L3, +N, +PE)	
Tipo de Conexión de Salida	Bloque de Terminales	
Configuración de Salida	Estrella [Wye]	
Transformador de Entrada, Aislamiento de Salida	Sí	
<b>Operación</b>		
LED de Advertencia de Sobretemperatura (Rojo)	Se enciende a 160 °C ±5 °C, es decir, un rango de 155 °C a 165 °C [311 °F a 329 °F] Se apaga a 125°C ±5 °C, es decir, un rango de 120 °C a 130 °C [248 °F a 266 °F]	
Dispositivo de Restablecimiento de Protección contra Sobretemperatura	La salida del transformador se apaga a temperaturas de 160 °C ±5 °C, es decir, un rango de 155 °C a 165 °C [311 °F a 329 °F]. El breaker de salida del transformador puede encenderse manualmente cuando la luz de advertencia se apague.	
Clase de Aislamiento	180 °C	
Aumento de Temperatura	125 °C	
Eficiencia a Plena Carga	95.00%	95.20%
Eficiencia a Media Carga	96.50%	97.50%
<b>Información Física</b>		
Altura de la Unidad	1200 mm [47.2"]	
Ancho de la Unidad	442 mm [17.4"]	
Profundidad de la Unidad	850 mm [33.5"]	

## 5. Especificaciones

Modelos	S3MT-20K480V	S3MT-30K480V
Peso de la Unidad	195 kg [430 lb]	280 kg [617 lb]
Carga en Piso	519 (kg/m <sup>2</sup> )	745 (kg/m <sup>2</sup> )
Altura de la Caja de la Unidad	1411 mm [55.6"]	1411 mm [55.6"]
Ancho de la Caja de la Unidad	563 mm [22.2"]	563 mm [22.2"]
Profundidad de la Caja de la Unidad	970 mm [38.2"]	970 mm [38.2"]
Peso de la Caja de la Unidad	220 kg [485 lb]	323 kg [712 lb]
Etiqueta Tip-n-Tell Incluida en la Caja Cubre-Empaque	Sí	
<b>Ambiente</b>		
Ruido Audible a 1 m	65 dB Máx.	
Humedad HR, Sin Condensación	95 %	
Disipación Térmica en Línea, Carga Plena (BTU / h)	3413	4915
Temperatura de Almacenamiento	-15 °C a 60 °C [5 °F a 140 °F]	
Temperatura de Operación	0 °C a 40 °C [32 °F a 104 °F]	
Elevación de Operación	<1000 m para potencia nominal (a más de 1000 m, la reducción de potencia es 1% por cada 100 m)	
<b>Mecánica</b>		
Embobinado del Transformador	Aluminio	
Material del Gabinete	Acero Laminado en Frío Galvanizado (SGCC)	
Color del Gabinete	RAL 9011	
Ventilador (Tipo / Cantidad)	Cojinetes de Bolas 2x, 120 mm (288 CFM en total)	
<b>Confiabilidad</b>		
Vibración	ISTA - 3B	
Impacto	ISTA - 3B	
Caída	ISTA-3B (Prueba de Volteo)	
<b>Aprobaciones de Agencia</b>		
Agencia de Aprobación	cTUVs	
Probado por Estándar de Agencia	UL 1778 5ª Edición	
Aprobaciones Canadienses	CSA 22.2-107.3-14	
Aprobaciones de CE	N/A	
Aprobaciones de EMI	N/A	
RoHS / REACH	Sí	Sí

## 6. Almacenamiento

Antes de almacenar el transformador de aislamiento, asegúrese de que todas las conexiones hayan sido desconectadas y todos los breakers estén apagados. Reemplace todas las tapas de acceso de entrada o salida para evitar dañar cualquier contacto.

El transformador debe almacenarse en un entorno limpio y seguro con temperaturas entre -15 °C y 60 °C [5 °F y 140 °F] y humedad relativa inferior al 90% (sin condensación).

De ser posible, almacene el transformador en su contenedor de embarque original.



**ADVERTENCIA: Los transformadores son muy pesados. Antes de almacenar el transformador, asegúrese de tener en cuenta los requerimientos de carga en piso (kg/m<sup>2</sup>) indicados en la sección 5. Especificaciones bajo "información física" para almacenar con seguridad.**

# 7. Garantía y Cumplimiento Normativo

## Garantía Limitada


El vendedor garantiza este producto, si se usa de acuerdo con todas las instrucciones aplicables, de que está libre de defectos en material y mano de obra por un período de 2 años a partir de la fecha de compra inicial. Si el producto resulta defectuoso en material o mano de obra dentro de ese período, el vendedor reparará o reemplazará el producto a su entera discreción. El servicio bajo esta garantía incluye únicamente partes. Los clientes internacionales deben comunicarse con Soporte de Tripp Lite en [intlservice@tripplite.com](mailto:intlservice@tripplite.com). Los clientes de Estados Unidos continentales deben comunicarse con Servicio al Cliente de Tripp Lite al 773-869-1234 o visitar [tripplite.com/support/help](http://tripplite.com/support/help)

ESTA GARANTÍA NO SE APLICA AL DESGASTE NORMAL O A LOS DAÑOS QUE RESULTEN DE ACCIDENTES, USO INCORRECTO, USO INDEBIDO O NEGLIGENCIA. EL VENDEDOR NO OTORGA GARANTÍAS EXPRESAS DISTINTAS A LA ESTIPULADA EN EL PRESENTE. SALVO EN LA MEDIDA EN QUE LO PROHÍBAN LAS LEYES APLICABLES, TODAS LAS GARANTÍAS IMPLÍCITAS, INCLUIDAS TODAS LAS GARANTÍAS DE COMERCIALIZACIÓN O IDONEIDAD, ESTÁN LIMITADAS EN CUANTO A DURACIÓN AL PERÍODO DE GARANTÍA ESTABLECIDO; ASIMISMO, ESTA GARANTÍA EXCLUYE EXPRESAMENTE TODOS LOS DAÑOS INCIDENTALES E INDIRECTOS. (Algunos estados no permiten limitaciones en cuanto dura una garantía y algunos estados no permiten la exclusión de limitación de daños incidentales o indirectos, de modo que las limitaciones anteriores pueden no aplicar para usted. Esta Garantía le otorga derechos legales específicos y es posible que usted goce de otros derechos que pueden variar de una jurisdicción a otra).

Tripp Lite; 1111 W. 35th Street; Chicago IL 60609; EE. UU.

ADVERTENCIA: antes de usarlo, cada usuario debe tener cuidado al determinar si este dispositivo es adecuado o seguro para el uso previsto. Ya que las aplicaciones individuales están sujetas a gran variación, el fabricante no garantiza la adecuación de estos dispositivos para alguna aplicación específica.

## Información de cumplimiento de WEEE para clientes y recicladores de Tripp Lite (Unión Europea)

 Conforme a la Directiva de Residuos de Equipos Eléctricos y Electrónicos [WEEE] y regulaciones aplicables, cuando los clientes adquieren un equipo eléctrico y electrónico nuevo de Tripp Lite están obligados a:

- Enviar el equipo viejo para fines de reciclaje bajo la modalidad de uno por uno, semejante por semejante (esto varía de un país a otro)
- Devolver el equipo nuevo para fines de reciclaje una vez que finalmente se convierta en residuo

No se recomienda el uso de este equipo en aplicaciones de soporte de vida en donde razonablemente se pueda esperar que la falla de este equipo cause la falla del equipo de soporte de vida o afecte significativamente su seguridad o efectividad.

Tripp Lite tiene una política de mejora continua. Las especificaciones están sujetas a cambio sin previo aviso. Las fotografías e ilustraciones pueden diferir ligeramente de los productos reales.



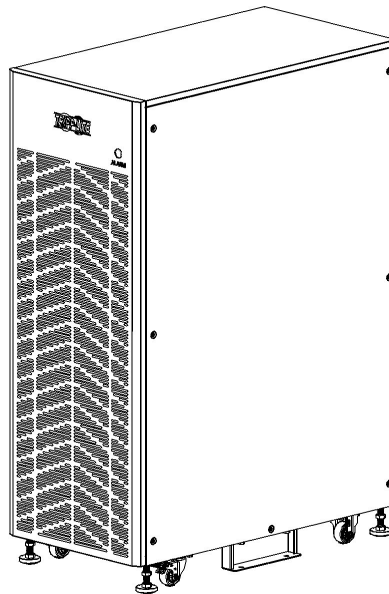
1111 W. 35th Street, Chicago, IL 60609 EE. UU. • [tripplite.com/support](http://tripplite.com/support)



# Manuel de l'utilisateur

## Transformateurs d'entrée triphasés de la série **S3MT : 480 V à 208 V**

Modèles : S3MT-20K480V, S3MT-30K480V



English 1 • Español 17



1111 W. 35th Street, Chicago, IL 60609 USA • [triplite.com/support](http://triplite.com/support)

Droits d'auteur © 2021 Tripp Lite. Tous droits réservés.

# Table des matières

<b>1. Introduction</b> .....	<b>35</b>
<b>2. Avertissements importants en matière de sécurité</b> .....	<b>37</b>
<b>3. Installation</b> .....	<b>38</b>
<b>3.1 Données mécaniques</b> .....	<b>38</b>
<b>3.2 Inspection de l'emballage</b> .....	<b>39</b>
<b>3.3 Déballage de l'onduleur</b> .....	<b>39</b>
<b>3.4 Contenu de l'emballage</b> .....	<b>41</b>
<b>3.5 Aperçu de l'armoire</b> .....	<b>41</b>
<b>3.6 Câbles d'alimentation</b> .....	<b>42</b>
<b>3.7 Schéma de la ligne de connexion entre le transformateur et l'onduleur</b> ...	<b>43</b>
<b>3.8 Connexions entre le transformateur et l'onduleur</b> .....	<b>44</b>
<b>3.8.1 Connexion de S3MT-20K480V à l'onduleur S3M20K3B</b> .....	<b>44</b>
<b>3.8.2 Connexion de S3MT-30K480V à l'onduleur S3M25K ou S3M30K</b> .....	<b>44</b>
<b>4. Fonctionnement</b> .....	<b>45</b>
<b>4.1. Protection contre les températures excessives</b> .....	<b>45</b>
<b>4.1.1 Voyant à DEL rouge d'avertissement de températures excessives</b> .....	<b>45</b>
<b>4.1.2 Relais de protection contre les températures excessives et commutateur thermique</b> .....	<b>45</b>
<b>5. Caractéristiques techniques</b> .....	<b>46</b>
<b>6. Entreposage</b> .....	<b>47</b>
<b>7. Garantie et conformité réglementaire</b> .....	<b>48</b>

# 1. Introduction

Les transformateurs de séparation d'entrée S3MT-20K480V et S3MT-30K480V de Tripp Lite fournissent 480 V (Delta) à 208 V (Wye) d'abaissement et de protection de séparation à l'onduleur connecté et à sa charge.

Le transformateur est doté d'une isolation d'entrée pour atténuer les surtensions ou les pointes du câble de service public tout en protégeant l'onduleur. Le transformateur inclut un disjoncteur intégré du côté de la sortie du transformateur en guide de protection. Deux ventilateurs à bille assurent un fonctionnement silencieux. Un relais détectant les températures excessives et un commutateur sont combinés à un voyant d'avertissement pour fournir un avertissement en cas de températures excessives et une protection contre les surchauffes. La petite empreinte de l'onduleur et son profil acoustique silencieux permettent l'installation avec un impact minimal en matière d'espace et de bruit. Tous les modèles de transformateurs sont dotés d'un boîtier en acier inoxydable avec des panneaux avant semblables à ceux de la gamme d'onduleurs triphasés de 208 V de la série S3M.

Modèle du système ASC	Numéro de série	(3 000 lb)	Description
S3MT-20K480V	AG-050B	20 kW	Transformateur de séparation d'entrée de 480 V à 208 V
S3MT-30K480V	AG-050C	30 kW	Transformateur de séparation d'entrée de 480 V à 208 V

## Applications typiques

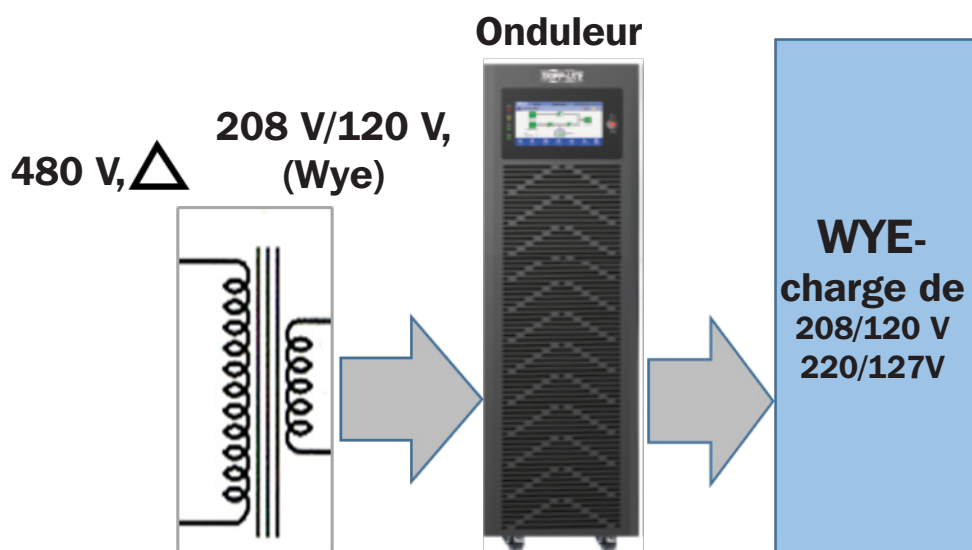
Les charges de l'équipement informatique à 4 fils (3Ph+N+PE) dans les bureaux du gouvernement, les milieux de fabrication, les hôpitaux, les secteurs industriels et les entreprises qui ont une alimentation électrique de 480 V et des charges informatiques de 208 V/120 V.

## Fonctionnalités principales

- Protection de séparation pour l'entrée de l'onduleur avec entrée abaissée de 480 V (Delta) à 208 V/120 V (Wye)
- Disjoncteur et protection contre la surchauffe
- Efficacité de 95 à 97,5 %
- Vaste gamme de fonctionnement de la tension et de la fréquence d'entrée  
Tension : -20 à +25 % @ 100 % de charge et 40 à 70 Hz
- Classe d'isolation : 180 °C matériel
- Fiabilité testée conformément à ISTA-3B pour les vibrations, les chocs et les chutes (test des extrémités)
- Certifications UL et CSA TUV
- Boîtier en acier inoxydable robuste expédié prêt à l'installation
- Garantie de 2 ans

# 1. Introduction

## Configuration typique




Ces transformateurs d'entrée de 480 V peuvent être achetés séparément ou sous forme de modèles de trousse avec un onduleur triphasé de la série S3M de Tripp Lite :


Modèles de transformateurs d'entrée		Charge constante maximale	Compatible avec un onduleur triphasé de 208 V	Modèles de trousse : onduleur + transformateur	
				Modèles de trousse	Les modèles de trousse incluent
480 V	S3MT-20K480V	20 kW	Onduleur de 10 à 20 kW	S3M20K-20K4T	S3MT-20K480V + onduleur S3M20K3B
	S3MT-30K480V	30 kW	Onduleur de 20 à 30 kW	S3M25K-30K4T	S3MT-30K480V + onduleur S3M25K
				S3M30K-30K4T	S3MT-30K480V + onduleur S3M30K


## 2. Avertissements importants en matière de sécurité

### CONSERVER CES INSTRUCTIONS

Ce manuel contient des instructions importantes pour les modèles S3MT-20K480V et S3MT-30K480V, qui doivent être respectées au cours de l'installation et de la maintenance du transformateur et de l'onduleur.

 **DANGER! Risque de décharges électriques!** Des pièces sous tension dangereuses à l'intérieur de cet appareil sont alimentées par le transformateur même si le disjoncteur se trouve en position OFF (désactivé).

 **AVERTISSEMENT!** Cet appareil est prévu pour une installation dans un environnement contrôlé.

 **DANGER!** Un transformateur peut présenter un risque de décharge électrique et de courant élevé des courts-circuits. La précaution suivante doit être observée lorsque l'on manipule le transformateur :

- Enlever les montres, les bagues ou tout autre objet métallique.
- Utiliser des outils ayant des poignées isolées.

Pour réduire le risque de décharge électrique, débrancher le transformateur et l'onduleur de l'alimentation du secteur avant d'effectuer l'entretien ou le service.

L'entretien du transformateur et de l'onduleur triphasés doit être confié au personnel certifié de Tripp Lite qui a une connaissance des transformateurs et des onduleurs triphasés et de toutes les précautions requises.

Le transformateur est extrêmement lourd. Il faut faire preuve de prudence au moment de déplacer ou de positionner l'équipement. Les instructions contenues dans ce manuel sont importantes et doivent être suivies de près en tout temps pendant l'installation et l'entretien de suivi du transformateur et de l'onduleur triphasés.



### DANGER!

Le transformateur produit un niveau de chaleur dangereux. Si le voyant à DEL rouge du panneau avant du transformateur est allumé, les prises de l'appareil peuvent générer un niveau de chaleur dangereux.

Tout l'entretien de cet équipement doit être confié à du personnel d'entretien certifié de Tripp Lite.

Avant d'effectuer tout entretien, toute réparation ou toute expédition, s'assurer d'abord que tout est complètement désactivé et déconnecté.

**Symboles spéciaux** – Les symboles suivants sont utilisés sur le transformateur pour avertir l'utilisateur des précautions suivantes :



RISQUE DE SECOUSSE ÉLECTRIQUE – Respecter l'avertissement qu'un risque de décharge électrique est présent.



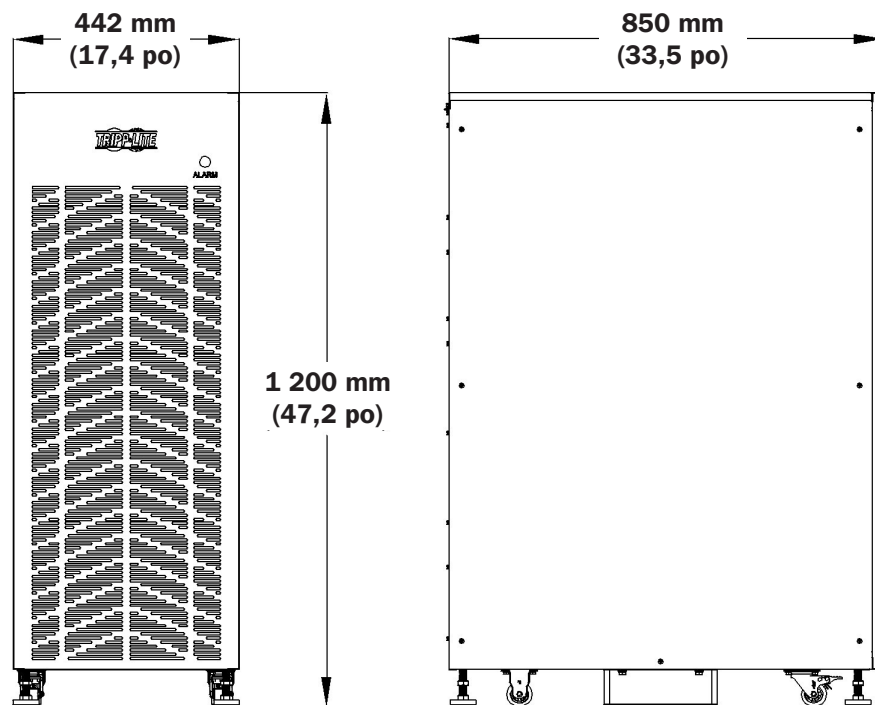
MISE EN GARDE – CONSULTER LE MANUEL DE L'UTILISATEUR pour des informations concernant des instructions importantes sur le fonctionnement et l'entretien.



MISE À LA TERRE DE SÉCURITÉ – Indique LA mise à la terre de sécurité principale.

## 3. Installation

### 3.1 Données mécaniques



### Exigences physiques

Laisser de l'espace autour de l'armoire pour le fonctionnement et la ventilation (Figure 3-1) :

1. Laisser au moins 500 mm (20 po) d'espace à l'avant pour la ventilation.
2. Laisser au moins 500 mm (20 po) d'espace à droite et à gauche pour le fonctionnement.
3. Laisser au moins 500 mm (20 po) d'espace à l'arrière pour la ventilation.

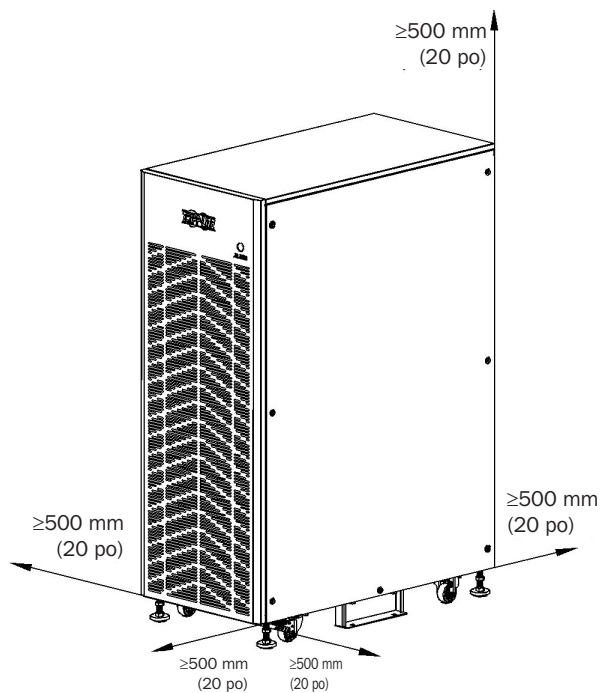


Figure 3-1

## 3. Installation

### 3.2 Inspection de l'emballage

1. Ne pas pencher l'armoire du transformateur au moment de la retirer de l'emballage.
2. Vérifier l'aspect pour voir si l'armoire du transformateur a été endommagée pendant le transport. Ne pas mettre l'armoire du transformateur sous tension si des dommages sont observés. Contacter immédiatement le fournisseur.
3. Vérifier les accessoires par rapport au bordereau d'expédition, puis contacter le fournisseur si des pièces sont manquantes.

### 3.3 Déballage de l'onduleur

1. Tenir fermement la plaque coulissante. Couper, puis enlever les liens de cerclage (Figure 3-2).
2. Retirer le sac en plastique et la boîte extérieure (Figure 3-3).

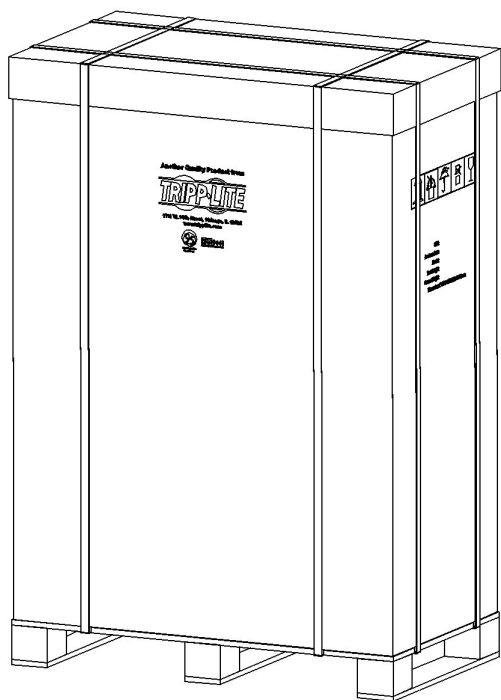


Figure 3-2

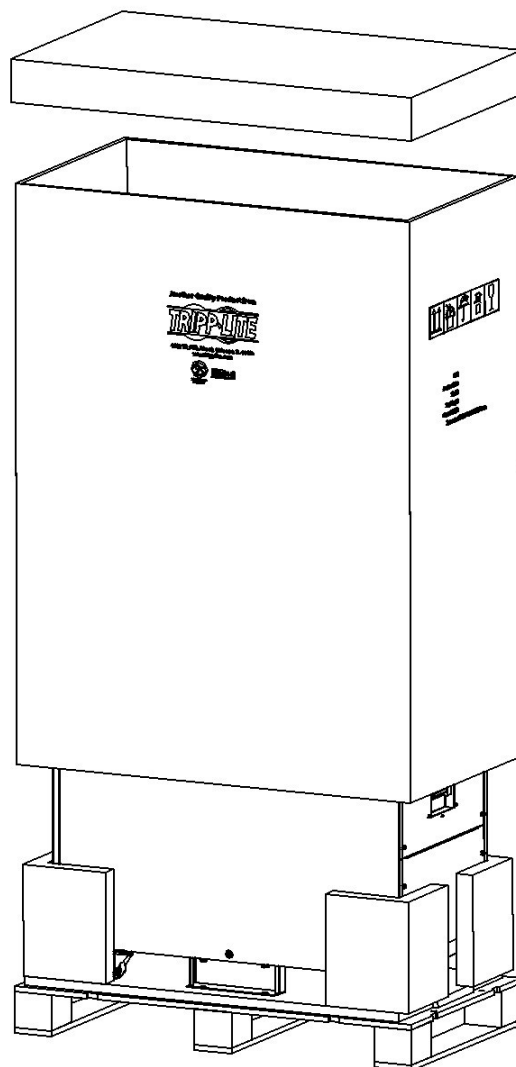
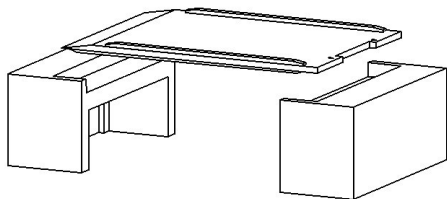


Figure 3-3

## 3. Installation

3. Retirer le matériel d'emballage en mousse et la palette biseautée (Figure 3-4).



4. Dévisser les vis, puis retirer la tôle fixée à l'armoire (Figure 3-5).

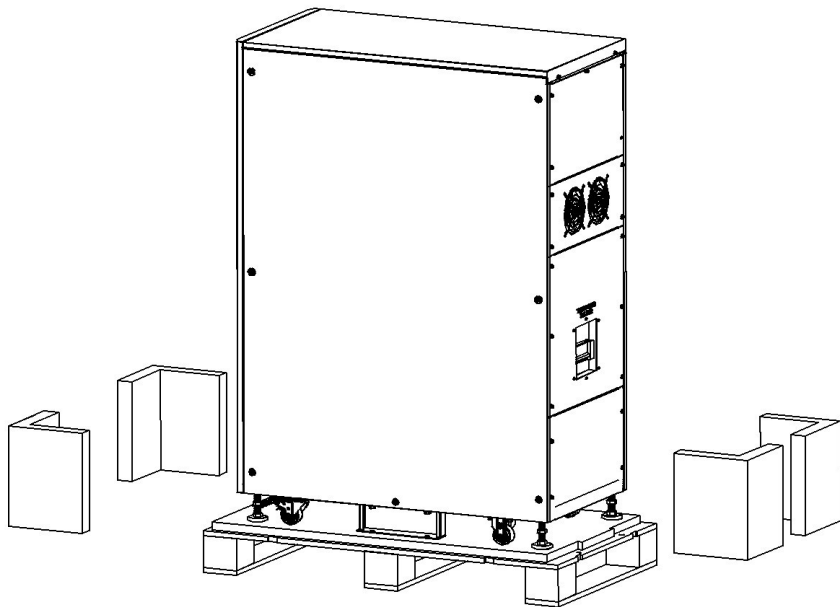


Figure 3-4

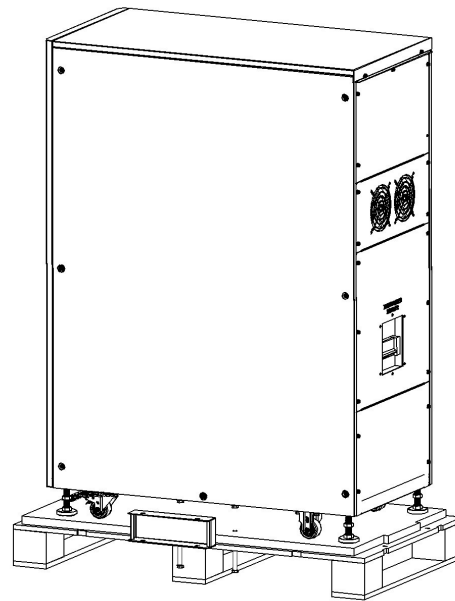


Figure 3-5

5. Glisser lentement l'appareil de la palette (Figures 3-6A et 3-6B).

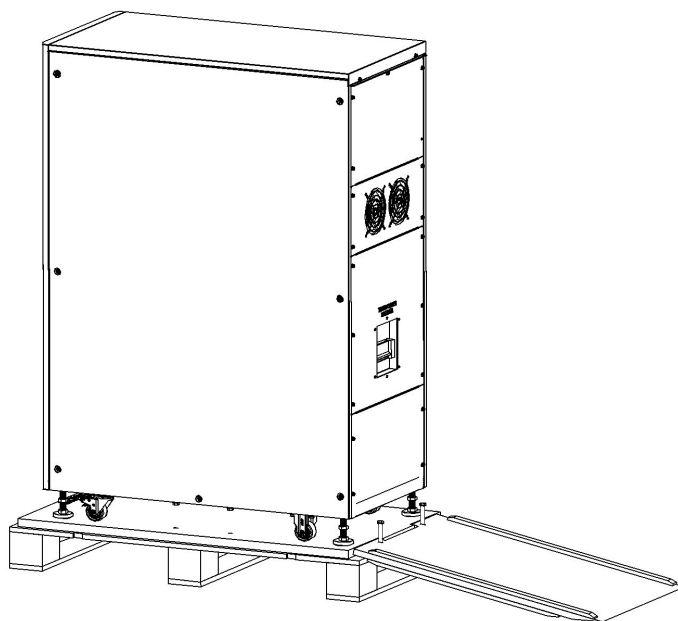


Figure 3-6A

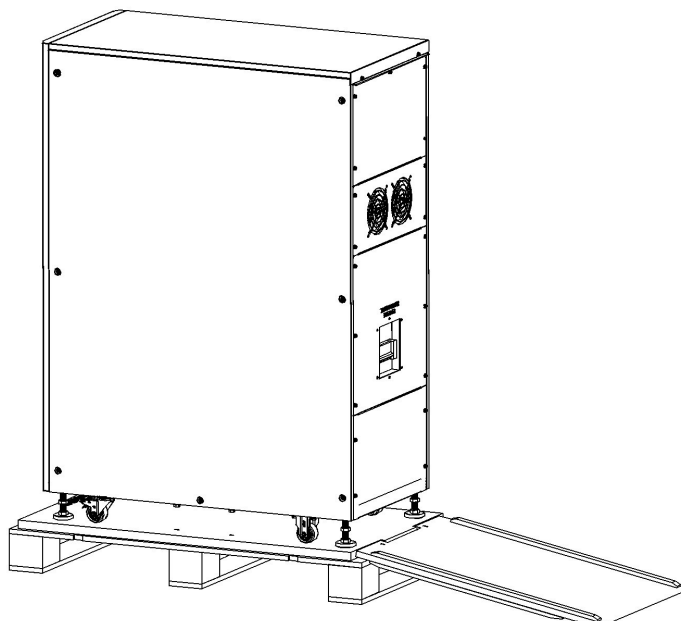


Figure 3-6B

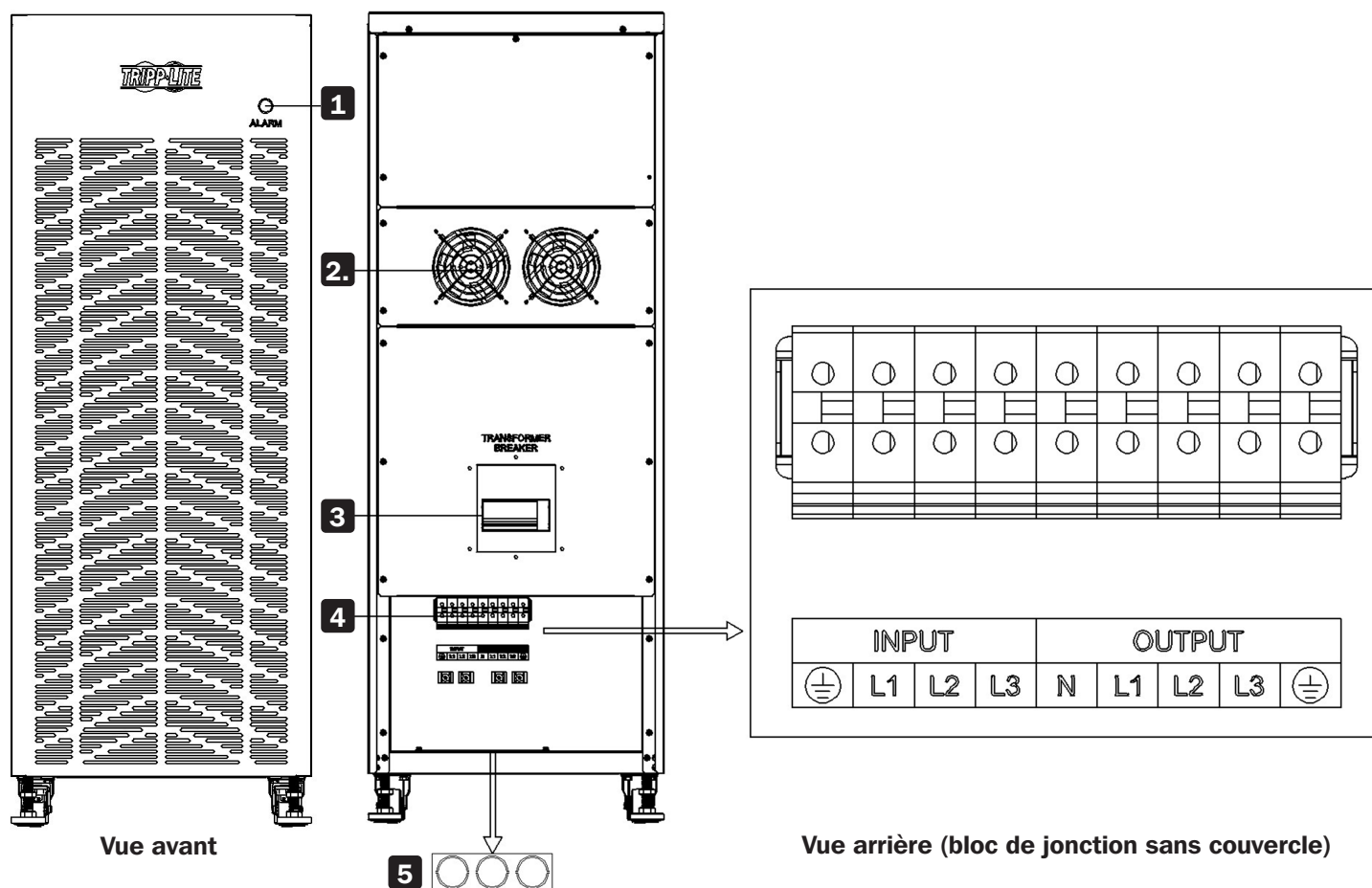


## 3. Installation

### 3.4 Contenu de l'emballage

Table des matières	TL P/N	S3MT-20K480V	S3MT-30K480V
Transformateur d'entrée		1	1
Manuel de l'utilisateur	933D03	1	1

### 3.5 Aperçu de l'armoire



- 1** Voyant à DEL d'alarme de températures excessives
- 2** Ventilateurs de refroidissement
- 3** Disjoncteur avec déclenchement
- 4** Bornes de câblage
- 5** Entrées défonçables d'entrée inférieures (pour l'entrée et la sortie du câble d'alimentation)

## 3. Installation

### 3.6 Câbles d'alimentation

La conception des câbles doit être conforme aux tensions et aux courants fournis dans cette section et en conformité avec les codes locaux de l'électricité.



#### AVERTISSEMENT!

AU DÉMARRAGE, S'ASSURER DE PRENDRE CONNAISSANCE DE L'EMPLACEMENT ET DU FONCTIONNEMENT DES ISOLATEURS EXTERNES QUI SONT CONNECTÉS À LA SOURCE D'ENTRÉE/DE DÉRIVATION DE L'ONDULEUR DANS LE PANNEAU DE DISTRIBUTION DU SECTEUR.

S'ASSURER QUE CES SOURCES SONT ISOLÉES ÉLECTRIQUEMENT, PUIS AFFICHER TOUT SIGNE D'AVERTISSEMENT NÉCESSAIRE POUR PRÉVENIR TOUT FONCTIONNEMENT ACCIDENTEL.

#### Tailles des câbles

Modèle du système ASC	Tailles des câbles (câblage THHW à 75 °C)							
	Entrée CA		Sortie CA		Neutre		Mise à la terre	
	Calibre	Couple	Calibre	Couple	Calibre	Couple	Calibre	Couple
<b>S3MT-20K480V</b>	10 AWG max. 4 AWG	6,5 N•m	4 AWG max. 4 AWG	6,5 N•m	4 AWG max. 4 AWG	6,5 N•m	4 AWG max. 4 AWG	6,5 N•m
<b>S3MT-30K480V</b>	6 AWG max. 3 AWG	6,5 N•m	3 AWG max. 3 AWG	6,5 N•m	3 AWG max. 3 AWG	6,5 N•m	3 AWG max. 3 AWG	6,5 N•m

## 3. Installation

### 3.7 Schéma de la ligne de connexion entre le transformateur et l'onduleur

Les connexions sont illustrées ci-dessous pour l'armoire avec le transformateur de séparation d'entrée intégré, les disjoncteurs et le voyant à DEL de températures excessives rouge.

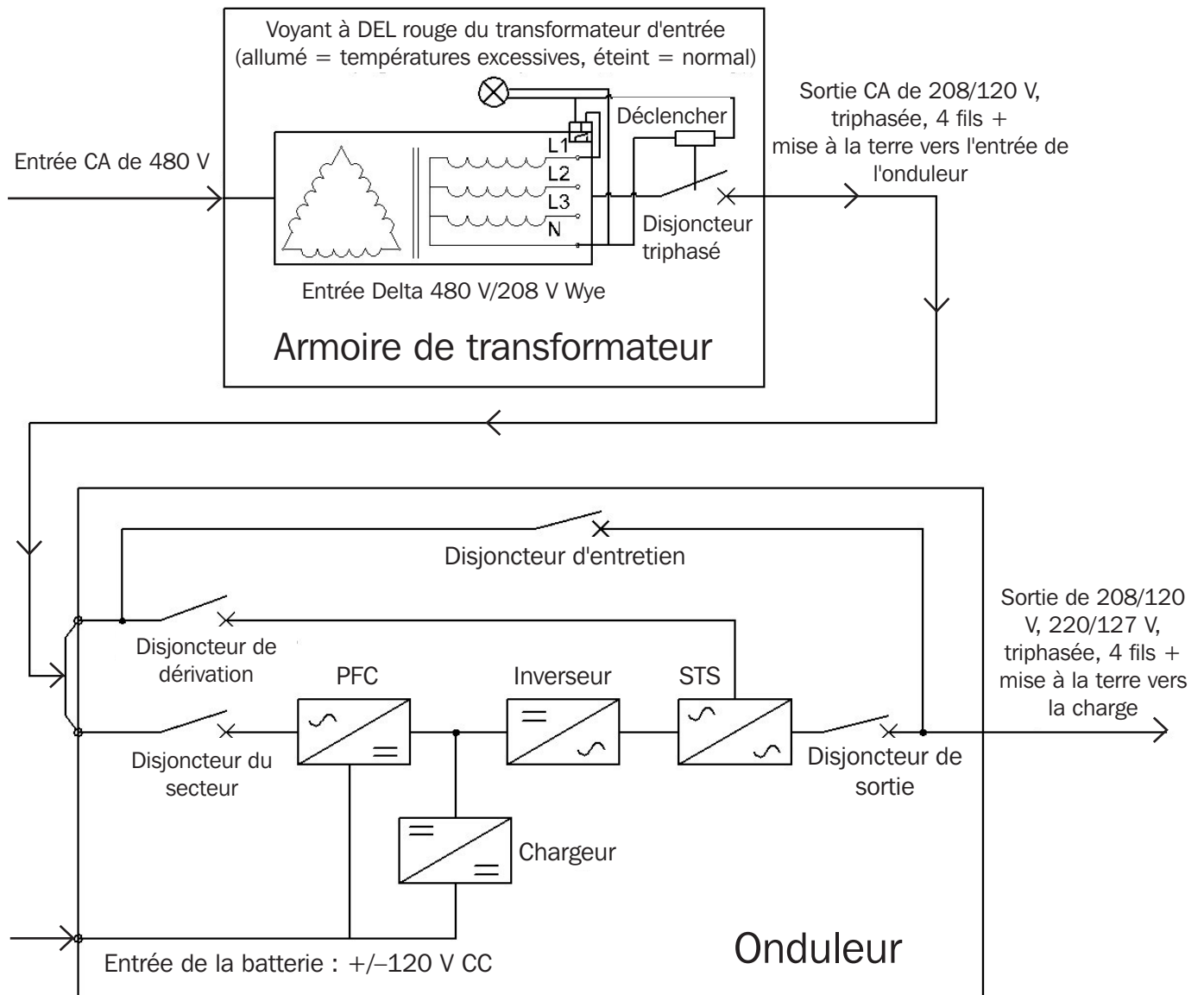


Figure 3-7 : Schéma de la ligne de connexion pour S3MT-20K480V/S3MT-30K480V

## 3. Installation

### 3.8 Connexions multiples du transformateur



**AVERTISSEMENT :** Le neutre de la sortie du transformateur n'est pas relié à la mise à la terre du châssis. Fournir un moyen de connecter la mise à la terre du châssis du transformateur au neutre de la sortie du transformateur.  
*Remarque :* La mise à la terre du châssis du transformateur doit être connectée à la mise à la terre.



**IMPORTANT :** Ce manuel peut être consulté et/ou téléchargé depuis le site [Web tripplite.com](http://Web.tripplite.com) pour voir les connexions des câbles en couleurs.

#### 3.8.1 Connexion pour le S3MT-20K480V à l'onduleur S3M20K3B

L'entrée du transformateur est 3 fils Delta (triphase + mise à la terre). La sortie du transformateur est 4 fils Wye (triphase + N + mise à la terre).

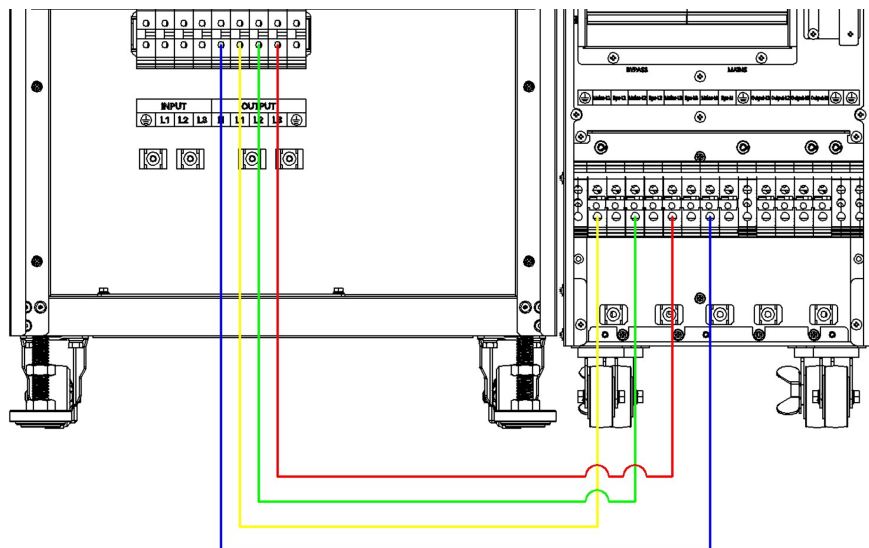


Figure 3-8 : armoire du transformateur (vue arrière)

onduleur (vue arrière)

#### 3.8.2 Connexion pour le S3MT-30K480V à l'onduleur S3M25K ou S3M30K

L'entrée du transformateur est 3 fils Delta (triphase + mise à la terre). La sortie du transformateur est 4 fils Wye (triphase + N + mise à la terre).

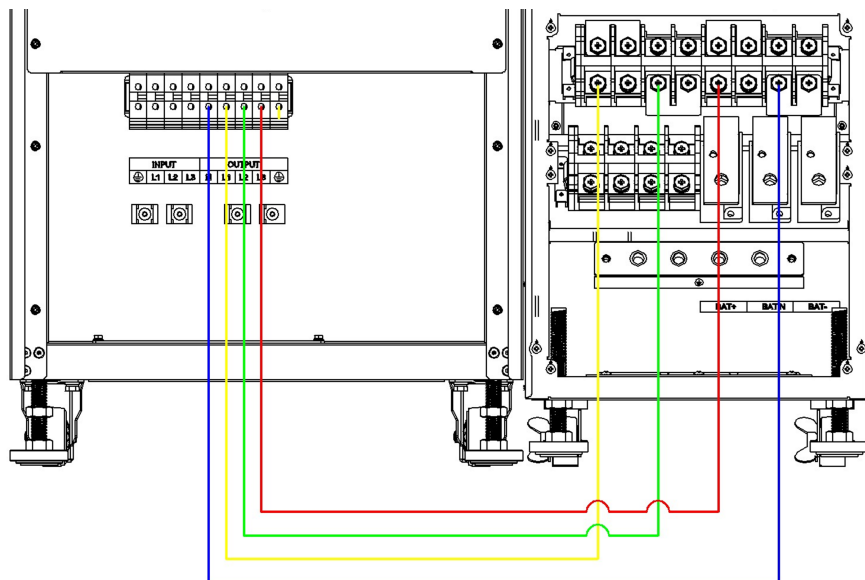


Figure 3-9 : armoire du transformateur (vue arrière)

onduleur (vue arrière)

## 4. Fonctionnement



**AVERTISSEMENT :** Il n'est pas conseillé de connecter deux onduleurs en parallèle lorsque des transformateurs individuels sont utilisés pour chaque onduleur.

### 4.1 Protection contre les températures excessives

#### 4.1.1 Voyant à DEL rouge d'avertissement de températures excessives

Le transformateur inclut un voyant à DEL d'avertissement sur la partie supérieure du panneau avant. Le voyant s'allume lorsque le transformateur atteint une température de  $160\text{ °C} \pm 5\text{ °C}$ , c.-à-d. une plage de  $155\text{ °C}$  à  $165\text{ °C}$  ( $311\text{ °F}$  à  $329\text{ °F}$ ). Le voyant s'éteint lorsque le transformateur refroidit et atteint une température de  $125\text{ °C} \pm 5\text{ °C}$ , c.-à-d. une plage de  $120\text{ °C}$  à  $130\text{ °C}$  ( $248\text{ °F}$  à  $266\text{ °F}$ ).

#### 4.1.2 Relais de protection contre les températures excessives et commutateur thermique

Le transformateur inclut un relais de protection contre les températures excessives et un commutateur thermique pour protéger le transformateur contre les surchauffes. À des températures de  $160\text{ °C} \pm 5\text{ °C}$ , c.-à-d. une plage de  $155\text{ °C}$  à  $165\text{ °C}$  ( $311\text{ °F}$  à  $329\text{ °F}$ ), un relais de protection contre les températures excessives et un commutateur thermique s'activeront et déclencheront le disjoncteur de sortie du transformateur. Une fois que la température du transformateur s'est refroidie et que le voyant à DEL d'avertissement s'est éteint, le disjoncteur de sortie peut être réactivé manuellement (fermé) pour redémarrer le fonctionnement normal.

## 5. Caractéristiques techniques

Modèles	S3MT-20K480V	S3MT-30K480V
Description	Transformateur de séparation d'entrée de 20k triphasé, Delta 480 V/208 V Wye	Transformateur de séparation d'entrée de 30k triphasé, Delta 480 V/208 V Wye
Type de transformateur	Type sec	
<b>Entrée</b>		
Tension d'entrée	480 V	
Plage de fonctionnement de la tension d'entrée et déclassement	-45 %, +25 % à 40 % de charge -20 %, +25 % à 100 % de charge	
Ampères à l'entrée	35 A	51 A
Connexions d'entrée	3 fils (L1, L2, L3 + PE)	
Configuration d'entrée	Delta	
Type de connexion d'entrée	Bloc de jonction	
Fréquence nominale de l'entrée CA	50/60 Hz	
Plage de la fréquence et déclassement	40~70 Hz	
Sélection de la tension	Non	
Chute de tension : rapport de la sortie, aucune charge à pleine charge	≤ 3 %	
Courant d'appel	≤300 A (10 ms)	≤1 010 A (10 ms)
Séparation d'entrée	Oui	
<b>Sortie</b>		
Valeur nominale VA	20 kVA	30 kVA
Tension de sortie du transformateur	208/120 V, (triphasee, 4 fils)	
Ampères à la sortie	75 A	83 A
Valeur nominale du disjoncteur de sortie du transformateur	80 A	125 A
Watts à la sortie en détails	20 000 W	30 000 W
Connexions de sortie	4 fils (L1, L2, L3, +N, +PE)	
Type de connexion de sortie	Bloc de jonction	
Configuration de la sortie	Wye	
Transformateur d'entrée, séparation de sortie	Oui	
<b>Fonctionnement</b>		
Voyant à DEL d'avertissement de températures excessives (rouge)	S'allume à 160 °C ±5 °C, c.-à-d. une plage de 155 °C à 165 °C (311 °F à 329 °F) S'éteint à 125 °C ±5 °C, c.-à-d. une plage de 120 °C à 130 °C (248 °F à 266 °F)	
Dispositif de réinitialisation de la protection contre les températures excessives	La sortie du transformateur s'éteint à des températures de 160 °C ±5 °C, c.-à-d. une plage de 155 °C à 165 °C (311 °F à 329 °F). Le disjoncteur de la sortie du transformateur peut être activé manuellement lorsque le voyant d'avertissement s'éteint.	
Classe d'isolation	180 °C	
Hausse de température	125 °C	
Rendement à pleine charge	95,00 %	95,20 %
Rendement avec la moitié de la charge	96,50 %	97,50 %
<b>Informations physiques</b>		
Hauteur de l'appareil	1 200 mm (47,2 po)	
Largeur de l'appareil	442 mm (17,4 po)	
Profondeur de l'appareil	850 mm (33,5 po)	
Poids de l'appareil	195 kg (430 lb)	280 kg (617 lb)

## 5. Caractéristiques techniques

Modèles	S3MT-20K480V	S3MT-30K480V
Charge supportée par le plancher	519 (kg/m <sup>2</sup> )	745 (kg/m <sup>2</sup> )
Hauteur de la boîte de l'appareil	1 411 mm (55,6 po)	1 411 mm (55,6 po)
Largeur de la boîte de l'appareil	563 mm (22,2 po)	563 mm (22,2 po)
Profondeur de la boîte de l'appareil	970 mm (38,2 po)	970 mm (38,2 po)
Poids de la boîte de l'appareil	220 kg (485 lb)	323 kg (712 lb)
Étiquette Tip-n-Tell incluse sur la boîte de suremballage	Oui	
<b>Environnement</b>		
Bruit audible à 1 m	65 dB max.	
Humidité relative, sans condensation	95 %	
Dissipation thermique en ligne, pleine charge (BTU/h)	3 413	4 915
Température d'entreposage	-15 à 60 °C (5 à 140 °F)	
Température de fonctionnement	0 °C à 40 °C (32 °F à 104 °F)	
Élévation fonctionnelle	<1 000 m pour la puissance nominale (au-delà de 1 000 m, le déclassement de la puissance est de 1 % par 100 m)	
<b>Mécanique</b>		
Bobinages du transformateur	Aluminium	
Matériau de l'armoire	Acier galvanisé profilé à froid (SGCC)	
Couleur de l'armoire	RAL 9011	
Ventilateur (type/quantité)	2x à bille, 120 mm (total de 288 CFM)	
<b>Fiabilité</b>		
Vibrations	ISTA - 3B	
Chocs	ISTA - 3B	
Chutes	ISTA - 3B (test des extrémités)	
<b>Approbations d'organismes</b>		
Organisme d'approbation	cTUVs	
Norme de l'organisme testée	UL 1778 5e édition	
Approbations canadiennes	CSA 22.2-107.3-14	
Approbations CE	S.O.	
Approbations EMI	S.O.	
RoHS/REACH	Oui	Oui

## 6. Entreposage

Avant d'entreposer le transformateur de séparation, s'assurer que toutes les connexions ont été déconnectées et que tous les disjoncteurs se trouvent en position OFF (désactivé). Remettre tous les couvercles d'accès des entrées et des sorties pour éviter d'endommager les contacts.

Le transformateur doit être entreposé dans un environnement propre et sûr où la température se situe entre -15 et 60 °C (5 et 140 °F) et l'humidité relative est inférieure à 90 % (sans condensation).

Entreposer le transformateur dans son conteneur d'expédition original si possible.



**AVERTISSEMENT : Le transformateur est très lourd. Avant d'entreposer le transformateur, s'assurer de tenir compte des exigences pour la charge du plancher (kg/m<sup>2</sup>) mentionnées dans la section 5. Caractéristiques techniques sous « Informations physiques » pour entreposer en toute sécurité.**

## 7. Garantie et conformité réglementaire

### Garantie limitée

Le vendeur garantit que ce produit, s'il est utilisé conformément à toutes les instructions applicables, est exempt de tout défaut de matériaux et de fabrication pour une période de 2 ans à partir de la date d'achat initiale. Si le produit s'avère défectueux en raison d'un vice de matière ou de fabrication au cours de cette période, le vendeur s'engage à réparer ou remplacer le produit, à sa seule discrétion. Le service sous cette garantie inclut les pièces seulement. Les clients internationaux doivent contacter l'assistance de Tripp Lite à [intlservice@tripplite.com](mailto:intlservice@tripplite.com). Les clients des États américains continentaux doivent contacter le service à la clientèle de Tripp Lite au 773 869-1234 ou visiter [tripplite.com/support/help](http://tripplite.com/support/help).

CETTE GARANTIE NE S'APPLIQUE PAS À L'USURE NORMALE OU AUX DOMMAGES RÉSULTANT D'UNE MAUVAISE UTILISATION, D'UN ABUS OU D'UNE NÉGLIGENCE. LE VENDEUR N'ACCORDE AUCUNE GARANTIE EXPRESSE AUTRE QUE LA GARANTIE EXPRESSÉMENT DÉCRITE DANS LE PRÉSENT DOCUMENT. SAUF DANS LA MESURE OÙ CELA EST INTERDIT PAR LA LOI EN VIGUEUR, TOUTE GARANTIE IMPLICITE, Y COMPRIS TOUTES LES GARANTIES DE QUALITÉ MARCHANDE OU D'ADAPTATION, SONT LIMITÉES À LA PÉRIODE DE GARANTIE CI-DESSUS ET CETTE GARANTIE EXCLUT EXPRESSÉMENT TOUS DOMMAGES DIRECTS ET INDIRECTS. (Certains États ne permettent pas de limitations sur la durée d'une garantie implicite, et certains États ne permettent pas l'exclusion ou la limitation des dommages fortuits ou consécutifs, de sorte que les limitations ou exclusions susmentionnées peuvent ne pas s'appliquer à vous. Cette garantie vous donne des droits légaux spécifiques, et vous pouvez avoir d'autres droits qui varient selon le territoire.

Tripp Lite; 1111 W. 35th Street; Chicago IL 60609; USA

AVERTISSEMENT : L'utilisateur individuel doit prendre soin de déterminer avant l'utilisation si cet appareil est approprié, adéquat et sûr pour l'usage prévu. Puisque les utilisations individuelles sont sujettes à des variations importantes, le fabricant ne fait aucune déclaration ou garantie quant à l'aptitude ou l'adaptation de ces dispositifs pour une application spécifique.

### Renseignements sur la conformité à la directive DEEE pour les clients de Tripp Lite et les recycleurs (Union européenne)



En vertu de la directive et des règlements d'application relatifs aux déchets d'équipements électriques et électroniques (DEEE), lorsque des clients achètent de l'équipement électrique et électronique neuf de Tripp Lite, ils ont droit :

- D'envoyer l'équipement usagé au recyclage pourvu qu'il soit remplacé par un équipement équivalent (cela varie selon les pays)
- De retourner le nouvel équipement afin qu'il soit recyclé à la fin de sa vie utile

Il n'est pas recommandé d'utiliser cet équipement pour des appareils de survie où une défaillance de cet équipement peut, selon toute vraisemblance, entraîner la défaillance de l'appareil de maintien de la vie ou de nuire de façon majeure à sa sécurité ou à son efficacité.

La politique de Tripp Lite en est une d'amélioration continue. Les caractéristiques techniques sont modifiables sans préavis. Les produits réels peuvent différer légèrement des photos et des illustrations.



1111 W. 35th Street, Chicago, IL 60609 USA • [tripplite.com/support](http://tripplite.com/support)