

Owner's Manual

SmartOnline® S3M 3-Phase UPS Systems

Models: S3M25K, S3M30K, S3M50K, S3M60K, S3M80K, S3M100K

Input: 120/127V (Ph-N), 208/220V (Ph-Ph), 3Ø 4-Wire + PE



Español 82 • Français 164

WARRANTY REGISTRATION

Register your product today and be automatically entered to win an ISOBAR® surge protector in our monthly drawing!

tripplite.com/warranty



1111 W. 35th Street, Chicago, IL 60609 USA • tripplite.com/support

Copyright © 2020 Tripp Lite. All rights reserved.

Table of Contents

1. Introduction	4	3.9 UPS to Battery Cabinet Model Compatibility	23
2. Important Safety Instructions	5	3.10 Single UPS Installation	24
2.1 UPS Location Warnings	5	3.10.1 Power Cables	24
2.2 Equipment Connection Warnings	5	3.10.2 Recommended Circuit Breakers	26
2.3 Battery Warnings	5	3.11 Single Input (Mains) Connection	27
2.4 Transportation and Storage	6	3.12 Dual Input (Mains and Bypass) Connection	29
2.5 Preparation	6	3.13 UPS Installation for Parallel Systems	32
2.6 Installation	6	3.13.1 Parallel Power Cable Connections	33
2.7 Connection Warnings	7	3.13.2 Parallel Cable Installation	34
2.8 Operation	7	3.13.3 Parallel System Commissioning	35
2.9 Standard Compliance	7	3.14 Load Bus Synchronization (LBS) Installation	35
3. Installation and Wiring	8	3.14.1 LCD Setting	35
3.1 Important Safety Warning	8	3.14.2 LBS Cable Installation	36
3.2 Package Inspection	8	3.14.3 UPS installation	37
3.2.1 External Inspection	8	3.14.4 LBS Settings	37
3.2.2 Internal Inspection	8	3.15 External Battery Connections	38
3.2.3 Package Contents	8		
3.3 Mechanical Data	9		
3.3.1 Dimensions for Models S3M25K and S3M30K	9		
3.3.2 Dimensions for Models S3M50K and S3M60K	10		
3.3.3 Dimensions for Models S3M80K and S3M100K	11		
3.3.4 Physical Requirements	12		
3.4 Unpacking the UPS	13		
3.5 Overview	14		
3.6 LCD Control Panel, LEDs and Alarms	21		
3.6.1 Introduction: LCD Display	21		
3.6.2 Introduction: Audible Alarms and LEDs	21		
3.7 Installation Notes	22		
3.8 External Protective Devices	22		
3.8.1 External Battery	22		
3.8.2 UPS Output	22		
3.8.3 Over-Current Protection	23		
		4. Operation	40
		4.1 Operation Modes	40
		4.1.1 AC Line Mode	40
		4.1.2 Battery Mode (Stored Energy Mode)	40
		4.1.3 Bypass Mode	41
		4.1.4 ECO Mode	41
		4.1.5 Maintenance Mode (Manual Bypass)	42
		4.2 Turning the UPS On/Off	42
		4.2.1 Basic Startup	42
		4.2.2 UPS Shutdown	42
		4.2.3 Cold Start	43
		4.2.4 Transfer to Maintenance Bypass Mode	43
		4.2.5 Transfer from Maintenance Bypass Mode to AC Line Mode or ECO Mode	43

Table of Contents

4.3 Alarms, LEDs and the LCD Display	44	6. Communications	73
4.3.1 Overview of Audible Alarms and LED Indicators	44	6.1 Web Management Card	73
4.3.2 LCD Control Panel Introduction	44	6.1.1 WEBCARDLX Features	73
4.3.3 Main Page: Default Display	45	6.2 Relay Card	73
4.3.4 Status Screen	46	6.3 USB Communication Port Definition	74
4.3.5 Alarm Interface	49	6.4 RS-232 Communication Port Definition	75
4.3.6 Setting Screen	51	6.5 RS-485 Communication Port Definition	75
4.3.6.1 Basic Setting Screen	51	6.6 BAT_T Communication Port Definition	76
4.3.6.2 Advanced Setting Screen	55	6.7 Backfeed: Relay Dry Contacts Port	77
4.3.6.2.1 System Setup	56	6.8 REPO Connection	77
4.3.6.2.2 Parallel Settings	57	7. Storage and Maintenance	78
4.3.6.2.3 Output Settings	58	7.1 Storage	78
4.3.6.2.4 Battery Settings	58	7.2 Maintenance	78
4.3.6.2.5 Bypass Settings	60	7.3 Battery	79
4.3.6.2.6 Dry Contact Settings	61	7.4 Fan	79
4.3.7 Maint (Maintenance) Screen	62	8. Specifications	80
4.3.8 Common Screen	64	9. Warranty	81
4.3.9 About Screen	66	Español	82
4.4 Display Messages and Alarms	67	Français	164
4.4.1 Fault Information	70		
4.4.2 Alarm Information	71		
5. Troubleshooting	72		

1. Introduction

Tripp Lite's SmartOnline S3M-Series Uninterruptible Power Supply (UPS) is a Voltage and Frequency Independent (VFI) true on-line, double-conversion 3-phase UPS system. This UPS continuously conditions the incoming electrical power supply, eliminating power disturbances that will otherwise damage sensitive electronic devices, and minimizing system downtime from power fluctuations and interruptions.

The S3M-Series utilizes the latest DSP digital control technology and unity output power factor. The S3M-Series UPS Systems are designed to the highest quality and performance standards and offer the following market leading features:

UPS Model	Agency Number	Capacity
S3M25K	AG-044C	25000W
S3M30K	AG-044D	30000W
S3M50K	AG-044E	50000W
S3M60K	AG-044F	60000W
S3M80K	AG-0450	80000W
S3M100K	AG-0451	100000W

- True on-line UPS – the highest level of UPS protection, fully regulates incoming power with zero transfer time to battery in the event of an extended mains failure so critical loads remain supported
- Energy Star certified – offers the highest efficiency to minimize utility and spending costs
- High-efficiency performance in AC Online Mode up to 94% and in ECO Mode up to 98%
- Unity power factor (PF1) – more actual power allows more equipment to be supported
- Best-in-class compact footprint and size frees up space for revenue generating equipment
- Paralleling for capacity (5N+1) and redundancy – up to six UPS systems may use only one battery cabinet
- Automatic and manual maintenance bypass increase system reliability and allow for maintenance without removing power from the attached load
- Wide input voltage window – the UPS system regulates even poor-quality incoming power without reverting to battery, maximizing system uptime and protecting battery life
- Large 5 inch (12.7 mm), intuitive multi-language touch-screen display for ease of use
- Powerful and smart battery charger (20A to 80A, depending on UPS model) to minimize battery charging time, increasing system reliability
- Emergency power off (EPO button, remote REPO) and simple-to-use cold start button
- Ethernet network (SNMP) management accessory card WEBCARDLX optional
- Three MODBUS RTU ports: RS-485, RS-232 and USB standard on all models
- Dual and single AC input capability standards on all models
- Integrated Maintenance Bypass standard; external bypass panels available
- Variety of models in a range of capacities to minimize costs and accommodate your runtime needs
- Matching front-panel design with battery and transformer (480V, 600V) external cabinets (optional)

SmartOnline S3M-Series UPS Systems are ideally suited for protecting and supporting the following mission-critical electrical applications:

- IT infrastructure – small data centers, edge computing and colocation data centers
- Telecommunications
- Networks (LAN/WAN)
- Corporate infrastructure
- Security and non-motor-load emergency systems
- Financial, government, educational and research institutions
- Manufacturing and healthcare applications with transformer (400V or 600V) + UPS kit models

Note: All Tripp Lite 3-Phase UPS accessories, transformers and resources for the S3M-Series models and other 3-Phase UPS solutions are available at tripplite.com/pages/3-phase-ups-solutions.

2. Important Safety Warnings

SAVE THESE INSTRUCTIONS

This manual contains important instructions and warnings that should be followed during the installation and maintenance of all Tripp Lite SmartOnline S3M 3-Phase 25kVA, 30kVA, 50kVA, 60kVA, 80kVA and 100kVA UPS Systems. Failure to heed the warnings may affect your warranty.

2.1 UPS Location Warnings

- Install the UPS indoors, away from heat, direct sunlight, dust and excess moisture or other conductive contaminants.
- Install the UPS in a structurally sound area. The UPS is extremely heavy; take care when moving and lifting the unit.
- Only operate the UPS at indoor temperatures between 0° C and 40° C.
- Optimum UPS performance and maximum battery life is obtained when the operating temperature is maintained between 17° C and 25° C.
- Ensure the installation area has sufficient space for maintenance and ventilation of the UPS system. Maintain a minimum clearance of 20 in. (500 mm) from the rear and both sides of the UPS and 23.6 in. (600 mm) from the front for maintenance, access and ventilation.
- Do not install the UPS near magnetic storage media, as this may result in data corruption.

2.2 Equipment Connection Warnings

- Use of this equipment in life support applications where failure of this equipment can reasonably be expected to cause the failure of the life support equipment or to significantly affect its safety or effectiveness is not recommended.
- **CAUTION! Risk of electrical shock** – Hazardous live parts inside the unit are energized from the external battery supply even when the input AC power is disconnected from an AC supply.

2.3 Battery Warnings



This UPS contains LETHAL VOLTAGES. The UPS is designed to supply power, even when disconnected from utility power. Only AUTHORIZED SERVICE PERSONNEL should access the interior of the UPS after disconnecting utility and DC power.



Batteries present a risk of electrical shock and burns from high short-circuit current. Battery connection or replacement should be performed only by qualified service personnel, observing proper precautions. Turn off the UPS before connecting or disconnecting external batteries. Use tools with insulated handles. Do not open the batteries. Do not short or bridge the battery terminals with any object.

- The batteries are recyclable. Refer to local codes for disposal requirements or visit tripplite.com/support/recycling-program for recycling information.
- Do not dispose of the batteries in a fire, mutilate the batteries or open the battery coverings. Escaping electrolytes may be toxic and cause injury to skin and eyes.
- Do not disconnect the batteries while the UPS is in battery mode.
- Disconnect the charging source prior to connecting or disconnecting terminals.
- The following precautions should be observed:
 - 1) Remove watches, rings and other metal objects.
 - 2) Use tools with insulated handles.
 - 3) Wear rubber gloves and electrical-grade boots.
 - 4) Use an electrical-grade rubber mat while servicing batteries.
 - 5) Do not lay tools or metal parts on top of batteries or battery cabinets.

2. Important Safety Warnings

- 6) Determine whether the battery supply (+, -, N) is inadvertently grounded. If it is, remove the source of the ground. Contact with any part of a grounded battery can result in electric shock. The likelihood of an electric shock is reduced if such grounds are removed during installation and maintenance.
- Battery replacement should be performed only by authorized service personnel, using the same number and type of batteries (sealed lead acid).



WARNING: In order to avoid any hazardous conditions during UPS installation and maintenance, these tasks may be performed only by qualified and experienced electricians.

Please read this Owner's Manual and the safety instructions carefully before installing or using the unit.

2.4 Transportation and Storage

- ⚠ To protect against shock and impact, transport the UPS system only in the original packaging.
- ⚠ The UPS must be stored in a room that is dry and ventilated.

2.5 Preparation

- ⚠ Condensation may occur if the UPS system is moved directly from a cold to a warm environment. The UPS system must be completely dry before being installed. Please allow at least two hours for the UPS system to adjust to the environment.
- ⚠ Do not install the UPS system near water or in moist environments.
- ⚠ Do not install the UPS system in direct sunlight or near heat sources.
- ⚠ Do not block the ventilation holes on the UPS system's housing.

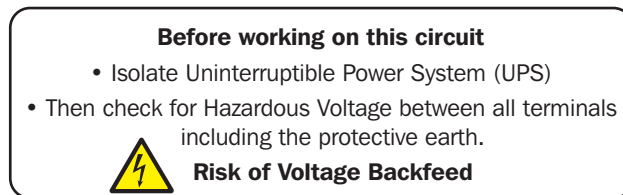
2.6 Installation

- ⚠ Do not connect appliances or devices that could overload the UPS (i.e., equipment with electrical motors) to the UPS output sockets or terminal.
- ⚠ Carefully arrange cables so no one can step on or trip over them.
- ⚠ Do not block the UPS system's air vents. The UPS must be installed in a location with good ventilation. Ensure adequate ventilation space on each side of the unit.
- ⚠ The UPS contains an earthed terminal. In the final installed system configuration, ensure equipotential earth grounding to the external UPS battery cabinet by connecting the earth terminals of both cabinets together.
- ⚠ The UPS should only be installed by qualified maintenance electrical service personnel.
- ⚠ An appropriate disconnect device such as short-circuit backup protection must be provided in the building wiring installation.
- ⚠ An integral single-emergency switching device should be included in the building wiring installation.
- ⚠ Connect the earth ground before connecting to the building wiring terminal.
- ⚠ Installation and wiring must be performed in accordance with local electrical codes and regulations.

2. Important Safety Warnings

2.7 Connection Warnings

- This UPS should be connected with a TN earthing system.
 - The power supply for this unit must be 3-phase rated in accordance with the equipment nameplate. It also must be suitably grounded.
 - The input power to 3-phase UPS models requires a 3-pole breaker.
 - Use of this equipment in life support applications where failure of this equipment can reasonably be expected to cause the failure of the life support equipment or to significantly affect its safety or effectiveness is not recommended.
 - The UPS is connected to a DC energy source (battery). The output terminals may still be live even when the UPS is not connected to an AC supply.
- ⚠ When installing the unit, verify that any maintenance bypass panel used is configured correctly before applying power to the unit.
- Be sure to place a warning label on all primary power isolators installed remotely from the UPS area and on any external access points between such isolators and the UPS. The warning label shall carry the following wording or equivalent:



- These UPS models include a backfeed dry contact connector. The backfeed connector for 25kVA to 60kVA models is located in the rear of the unit. The backfeed connector for 80kVA to 100kVA models is in the front of the unit.

2.8 Operation

- ⚠ Do not disconnect the earth conductor cable on the UPS or the building wiring terminals at any time, as this will cancel the protective earth of the UPS system.
- ⚠ In order to fully disconnect the UPS system, refer to section **4.2.2 UPS Shutdown**, then disconnect the mains.
- ⚠ Ensure no liquid or other foreign objects can enter into the UPS system.

2.9 Standard Compliance

This product meets the following safety standards and electromagnetic compatibility (EMC) inspection standards:

- UL 1778
- CSA C22.2 No. 107.3
- FCC Part 15 Class A

3. Installation and Wiring

3.1 Important Safety Warning

Read this manual thoroughly before undertaking any installation and wiring. An authorized Tripp Lite engineer must perform the start-up of the UPS and a completed start-up form must be returned to Tripp Lite in order to activate the SmartOnline S3M warranty. Contact your local supplier or support@tripplite.com for further details. To find your local contact, go to tripplite.com/support/contacts and click on “Service Centers.”

3.2 Package Inspection

3.2.1 External Inspection

Inspect the UPS exterior packaging. If any damage is observed, check the “Tip ‘N Tell” sticker on the UPS packaging to see if the UPS box was tilted. If it was tilted, immediately contact the dealer from whom the UPS was purchased.

3.2.2 Internal Inspection

1. Check the rating label on the top of the UPS cabinet and make sure the device number and capacity match what you ordered.
2. Examine if any parts are loose or damaged.
3. The UPS package contains the times listed below. Please check if any items are missing.
4. If anything is damaged or missing, immediately contact the dealer from whom the UPS was purchased.
5. If the UPS needs to be returned, carefully repack the UPS and all of the accessories using the original packing material that came with the unit.

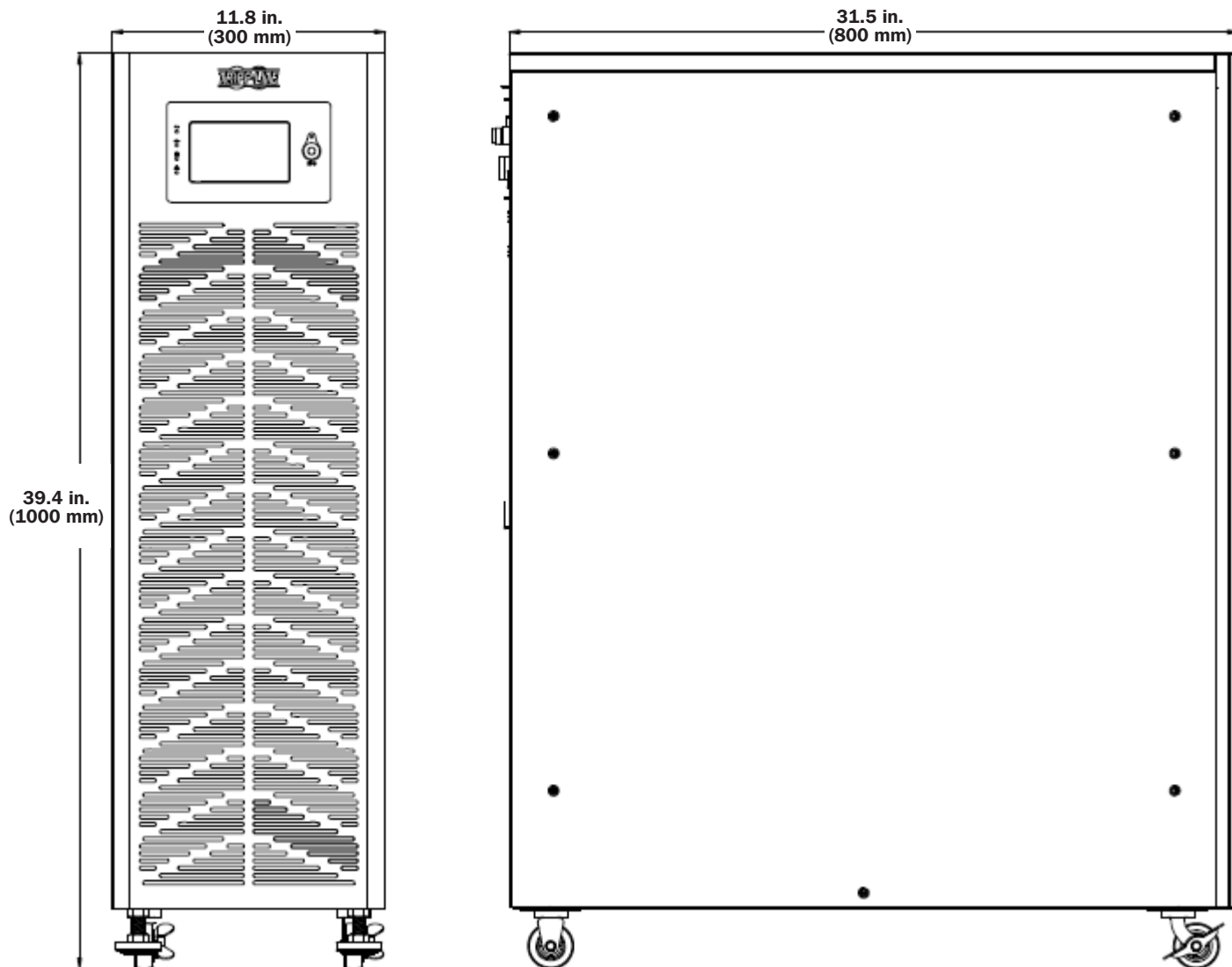
3.2.3 Package Contents

- UPS
- USB Cable, 5 ft. (1.5 m)
- RS-232 Cable (Male/Female), 5 ft. (1.5 m)
- Parallel Cable (Male/Female), 5 ft. (1.5 m)
- Dry Contact Connector (Green)
- Owner’s Manual

3. Installation and Wiring

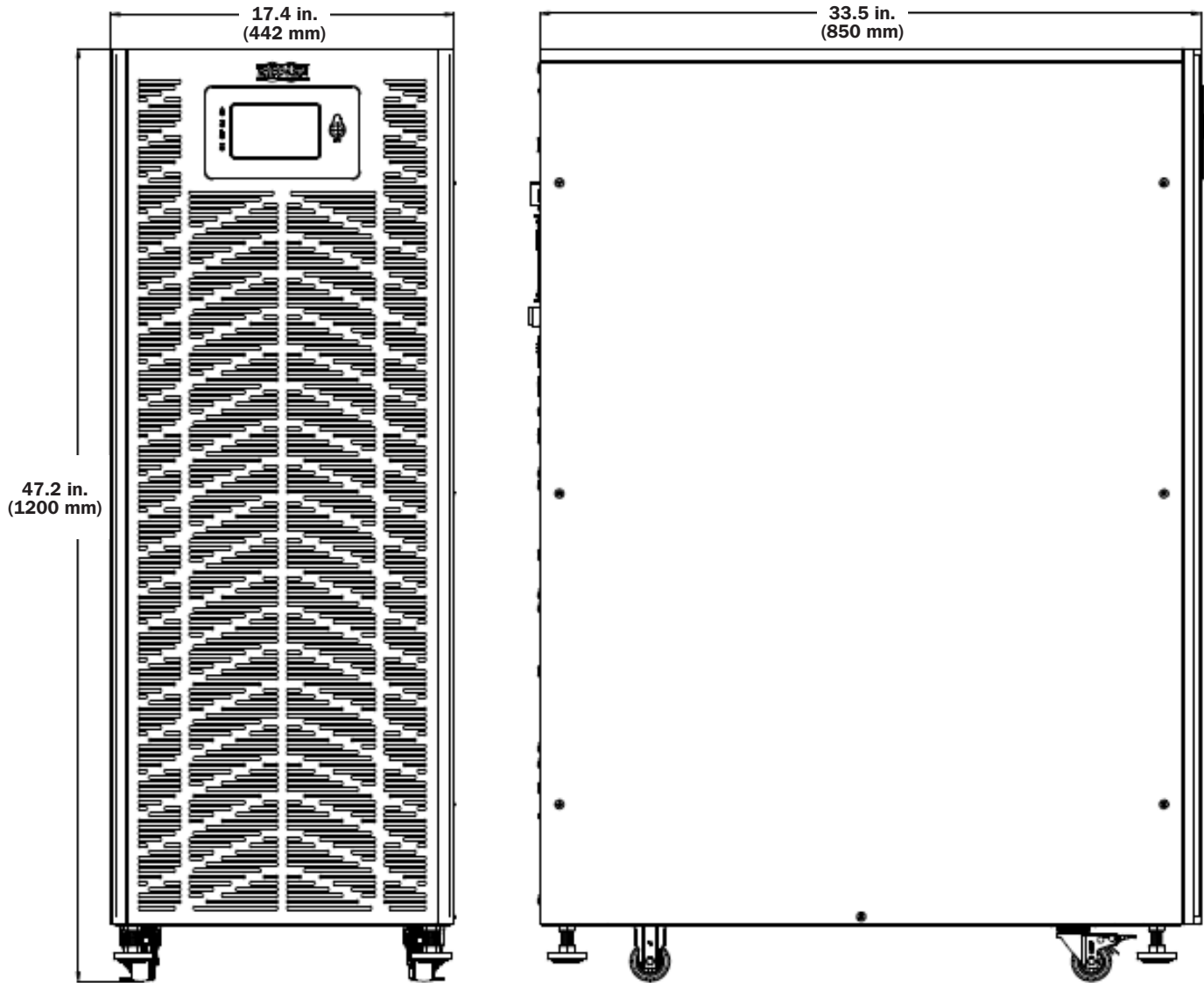
3.3 Mechanical Data

3.3.1 Dimensions for Models S3M25K and S3M30K



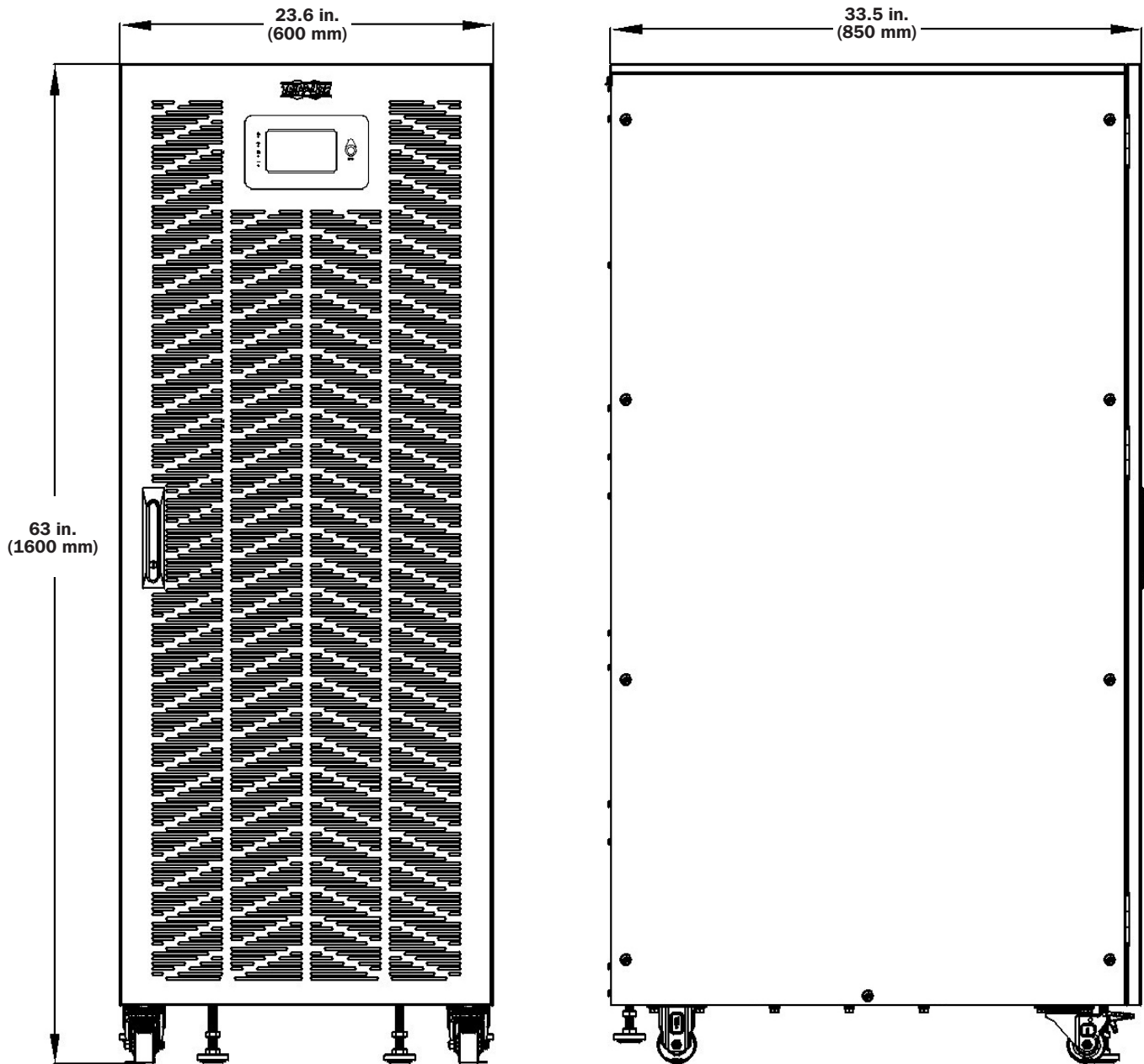
3. Installation and Wiring

3.3.2 Dimensions for Models S3M50K and S3M60K



3. Installation and Wiring

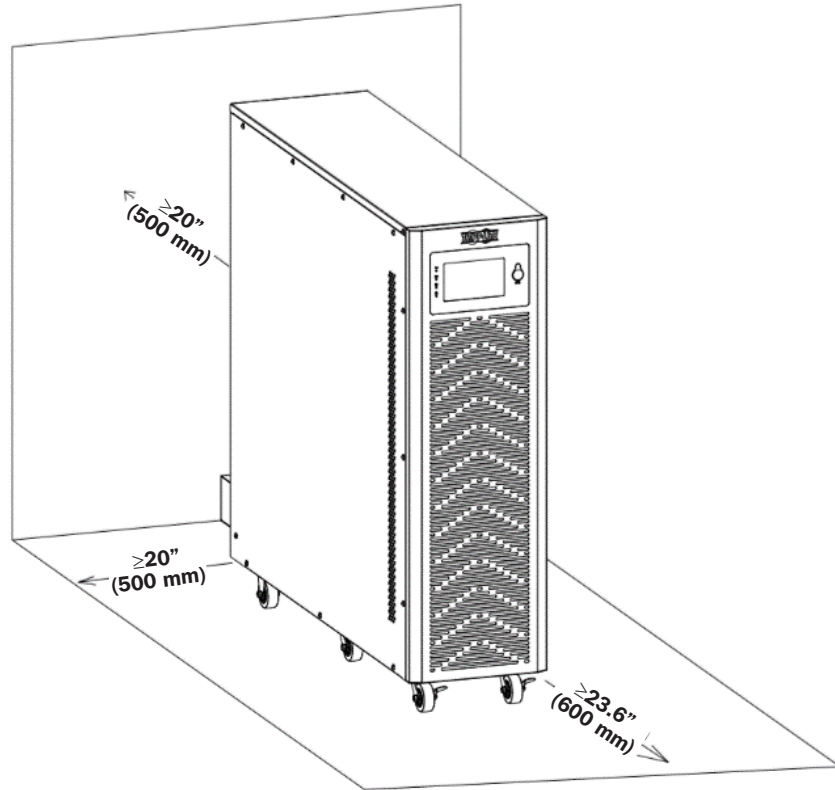
3.3.3 Dimensions for Models S3M80K and S3M100K



3. Installation and Wiring

3.3.4 Physical Requirements

Leave a minimum of 20 in. (500 mm) around the front, back and left and right sides of the cabinet for operation and ventilation.



3. Installation and Wiring

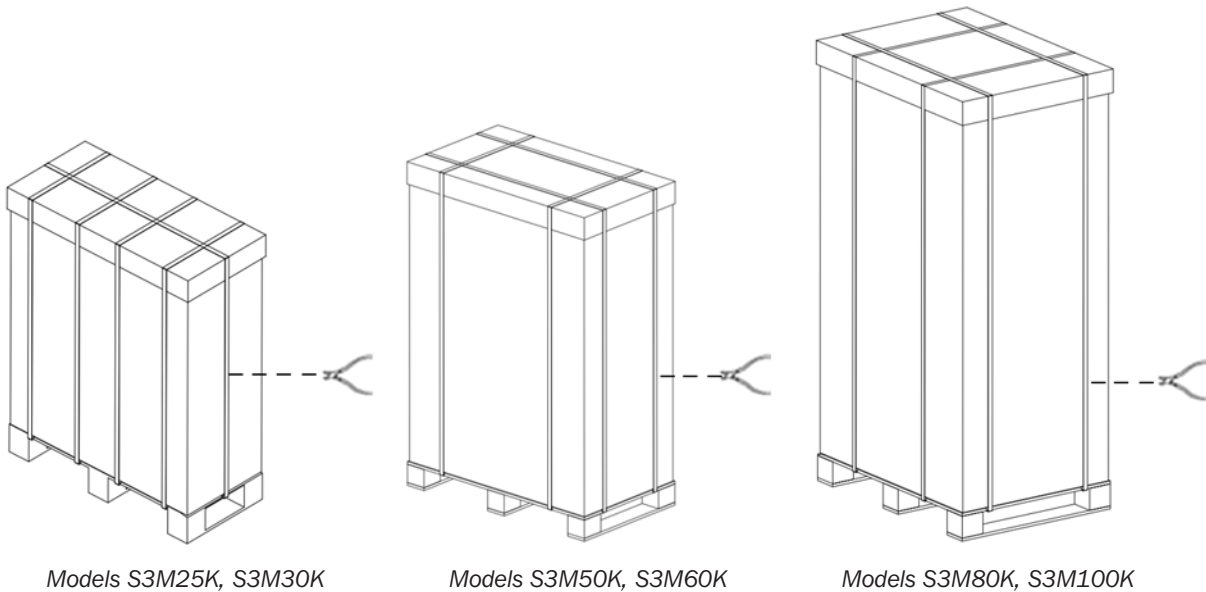
3.4 Unpacking the UPS

Notes:

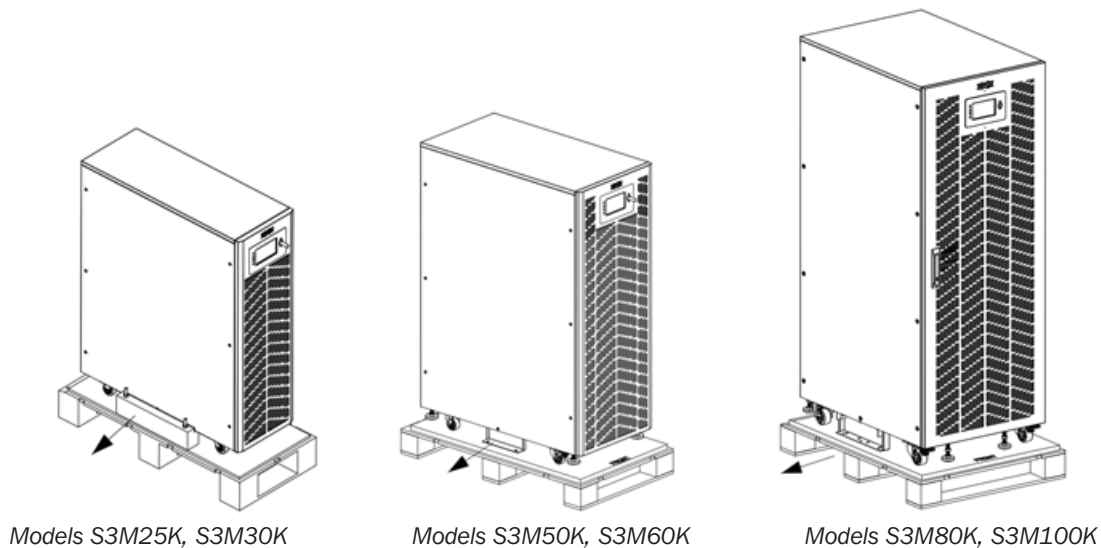
- Do not tilt or lean the UPS when removing it from the packaging.
- Ensure the UPS was not damaged during transport (refer to section **3.2.1 External Inspection**). If any damage is observed, do not power on the unit. Immediately contact the dealer from whom the UPS was purchased.

To unpack the UPS:

1. Use a pallet truck to transport the UPS to the installation position.
2. Check the UPS packing.
3. Hold the sliding plate steady. Cut and remove the outer wrapping.

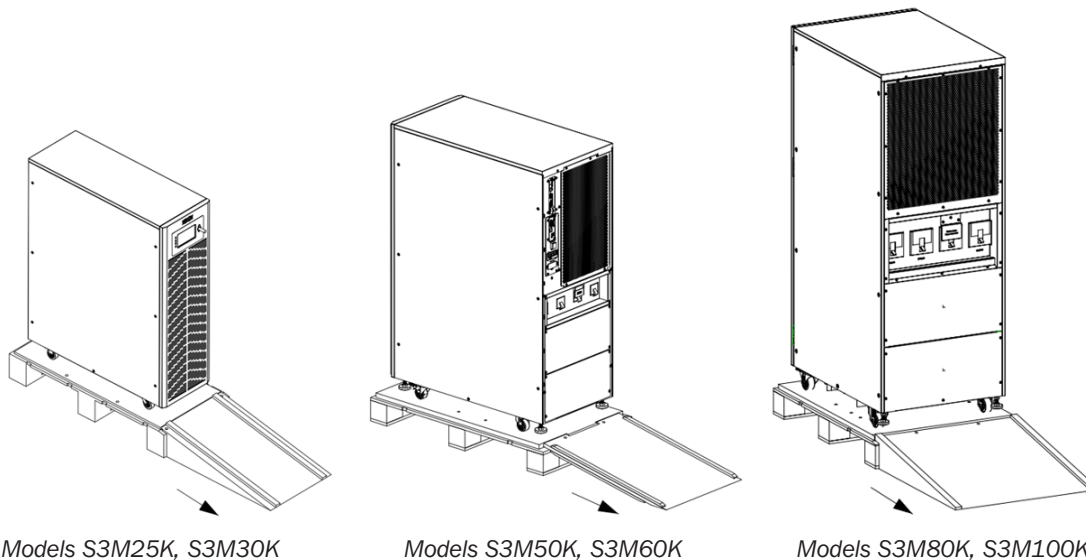


4. Remove the plastic bag and take out the box of fittings.
5. Check that the UPS is intact. Visually inspect the UPS for any apparent shipping damage. If the unit is damaged, notify the carrier immediately. Check the accessories against the packing list. In case of missing parts, contact your dealer.
6. Unfasten the screws and remove the wooden bar or sheet metal affixed to the cabinet.



3. Installation and Wiring

7. Slowly slide the unit from the pallet.



3.5 Overview

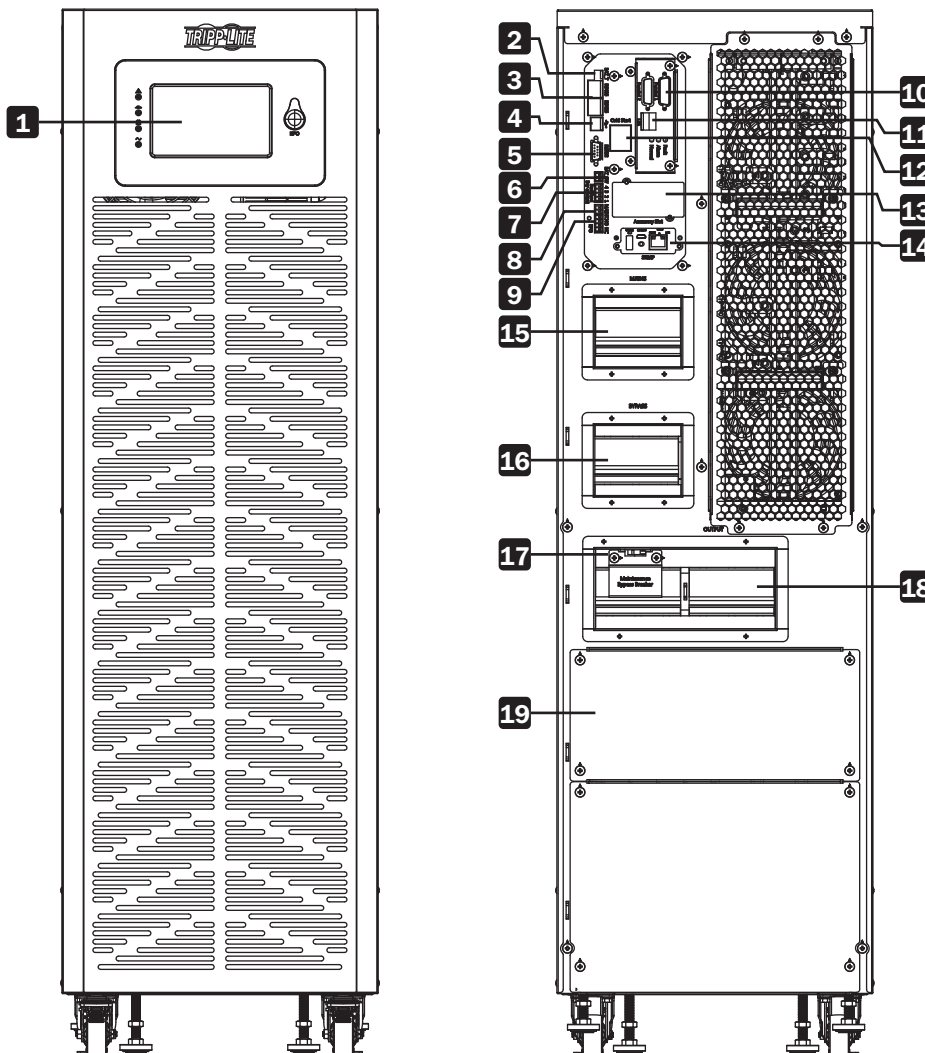


Figure 3-1: Front and Rear, Models S3M25K and S3M30K (see page 15 for callout explanation)

3. Installation and Wiring

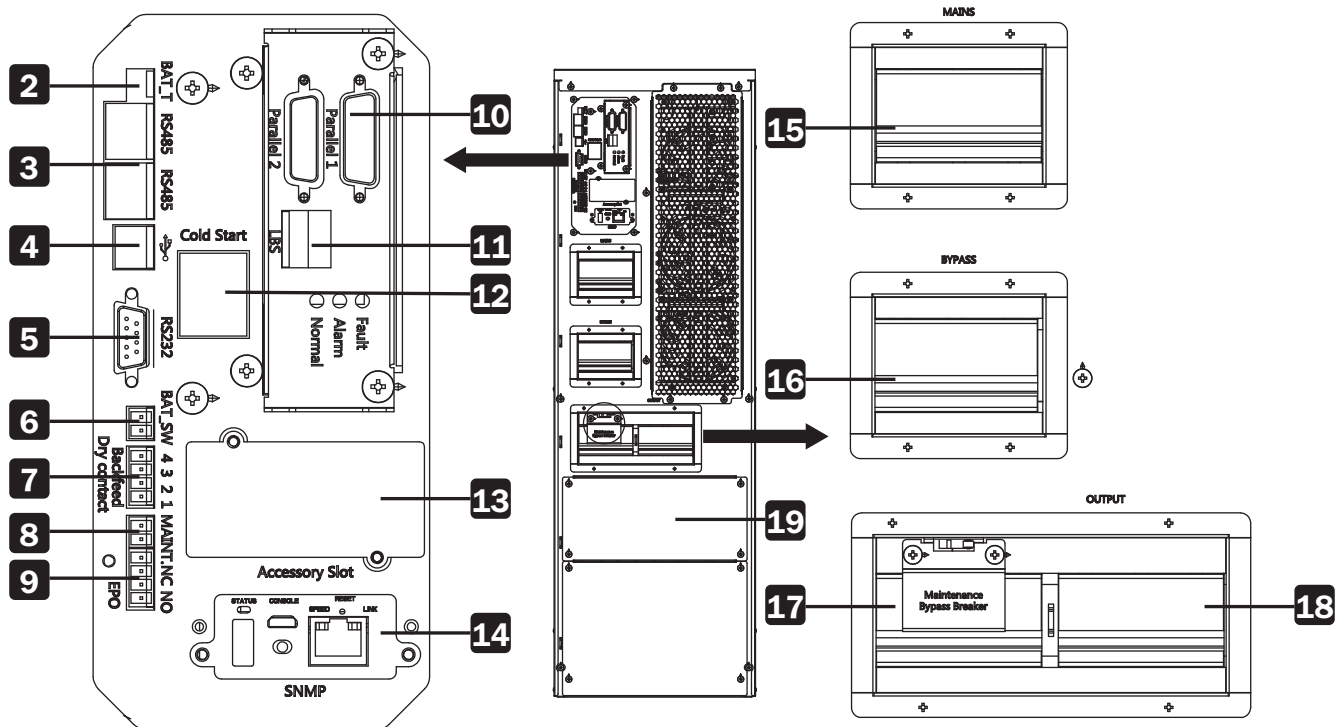


Figure 3-2: Rear View Detail, Models S3M25K and S3M30K

- | | |
|---|---|
| 1 LCD Panel | 11 LBS Port |
| 2 Battery Temperature Sensor (NTC) | 12 Cold Start Button |
| 3 RS-485 Port (MODBUS or Battery Thermostat) | 13 Accessory Slot |
| 4 USB Port | 14 WEBCARDLX Network Management Card |
| 5 RS-232 Port | 15 Mains Breaker |
| 6 BAT_SW: Battery Breaker Status Detect* | 16 Bypass Breaker |
| 7 Backfeed Protection Port | 17 Maintenance Breaker |
| 8 MAINTAIN-AUXSWS Port** | 18 Output Breaker |
| 9 REPO Port | 19 Terminal Block |
| 10 Parallel Port | |

* Battery Breaker Status Detect. Connect the battery breaker auxiliary contact to the BAT_SW port on the UPS and enable the function. The UPS will detect the battery breaker status (closed or open) and will display it on the LCD (Dry BATT Breaker).

** External Maintenance Breaker Status Detect. Connect the external maintenance breaker auxiliary contact to the MAINTAIN-AUXSWS port on the UPS and enable the function. The UPS will detect the external maintenance breaker status (closed or open) and display it on the LCD (Dry MBS Breaker).

3. Installation and Wiring

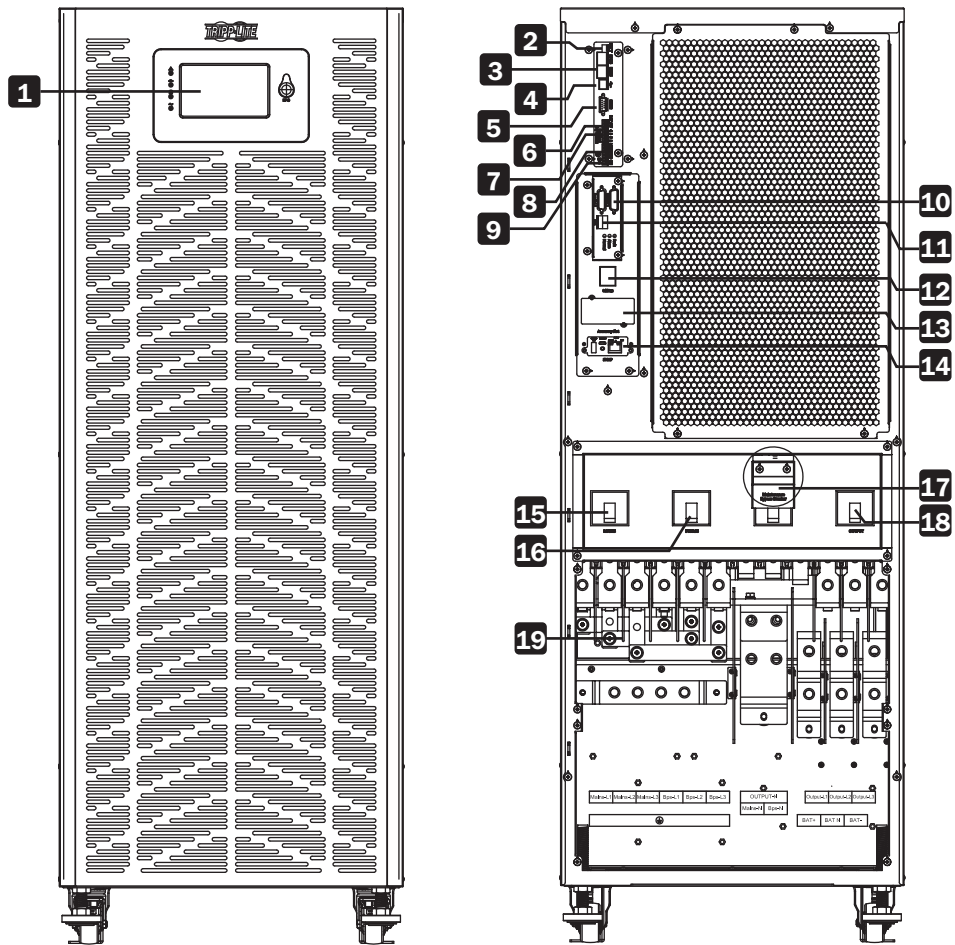


Figure 3-3: Front and Rear, Models S3M50K and S3M60K (see page 17 for callout explanation)

3. Installation and Wiring

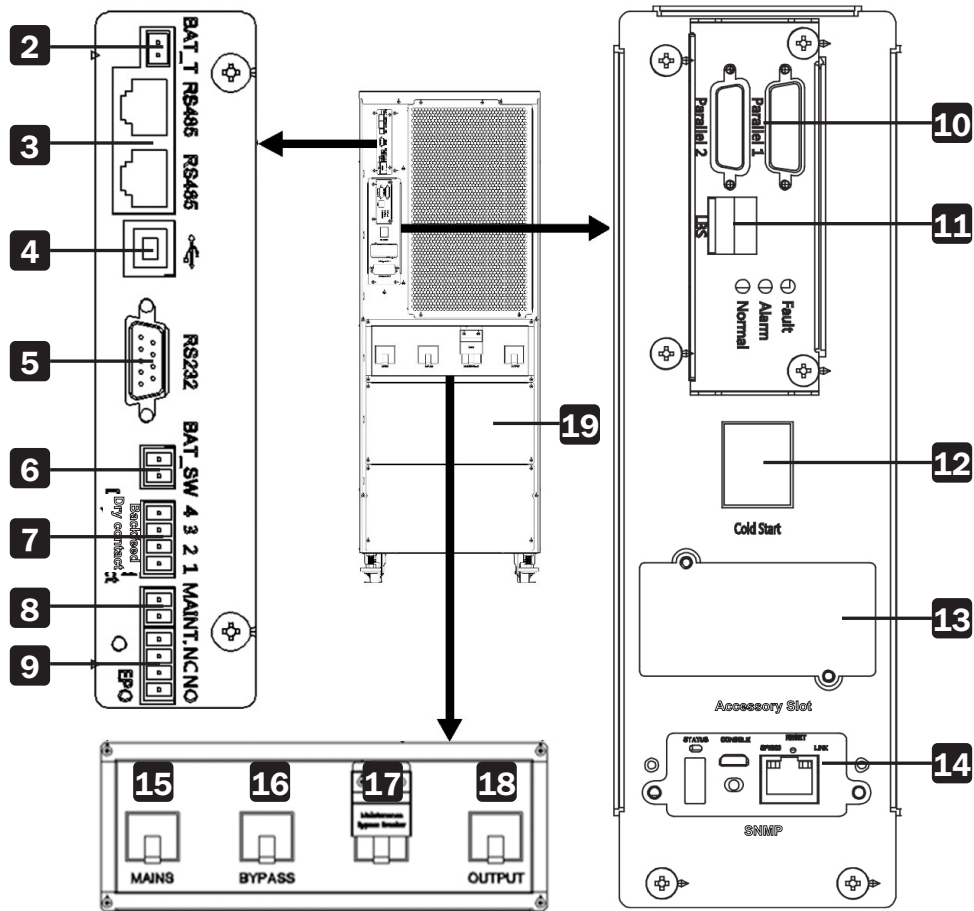


Figure 3-4: Rear View Detail, Models S3M50K and S3M60K

- | | |
|---|---|
| 1 LCD Panel | 11 LBS Port |
| 2 Battery Temperature Sensor (NTC) | 12 Cold Start Button |
| 3 RS-485 Port (MODBUS or Battery Thermostat) | 13 Accessory Slot |
| 4 USB Port | 14 WEBCARDLX Network Management Card |
| 5 RS-232 Port | 15 Mains Breaker |
| 6 BAT_SW: Battery Breaker Status Detect* | 16 Bypass Breaker |
| 7 Backfeed Protection Port | 17 Maintenance Breaker |
| 8 MAINTAIN-AUXSWS Port** | 18 Output Breaker |
| 9 REPO Port | 19 Terminal Block |
| 10 Parallel Port | |

* Battery Breaker Status Detect. Connect the battery breaker auxiliary contact to the BAT_SW port on the UPS and enable the function. The UPS will detect the battery breaker status (closed or open) and will display it on the LCD (Dry BATT Breaker).

** External Maintenance Breaker Status Detect. Connect the external maintenance breaker auxiliary contact to the MAINTAIN-AUXSWS port on the UPS and enable the function. The UPS will detect the external maintenance breaker status (closed or open) and display it on the LCD (Dry MBS Breaker).

3. Installation and Wiring

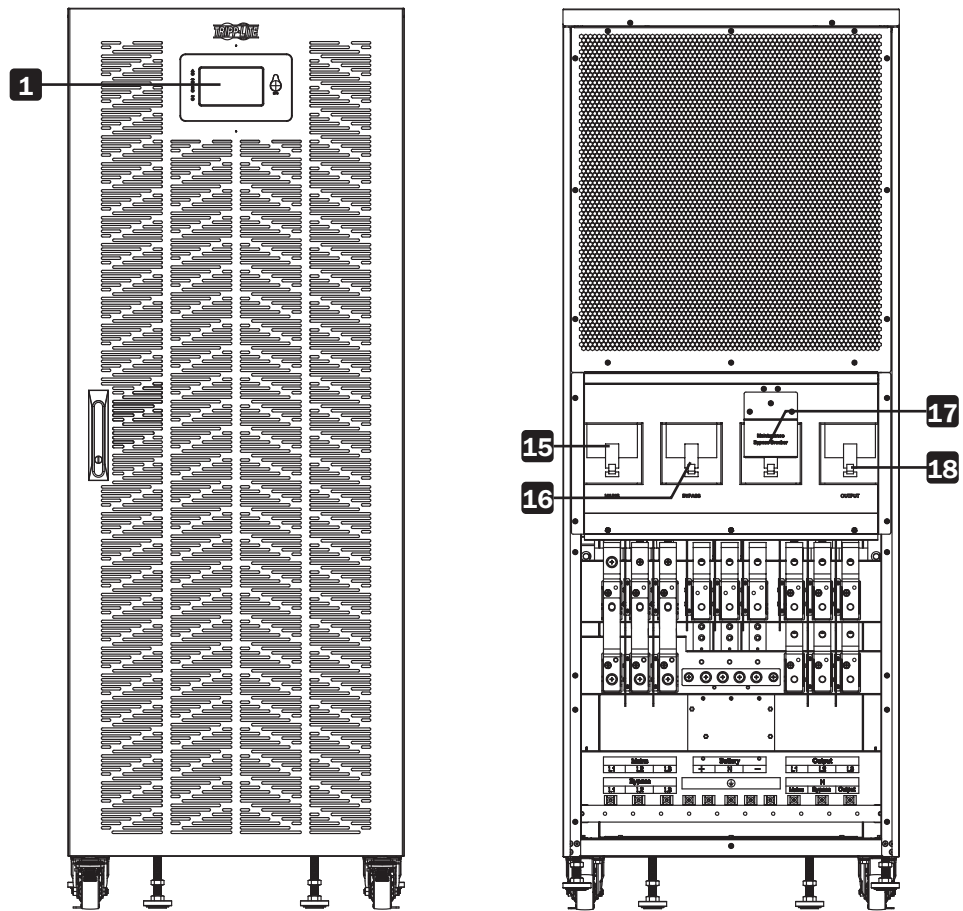


Figure 3-5: Front and Rear, Models S3M80K and S3M100K (see page 19 for callout explanation)

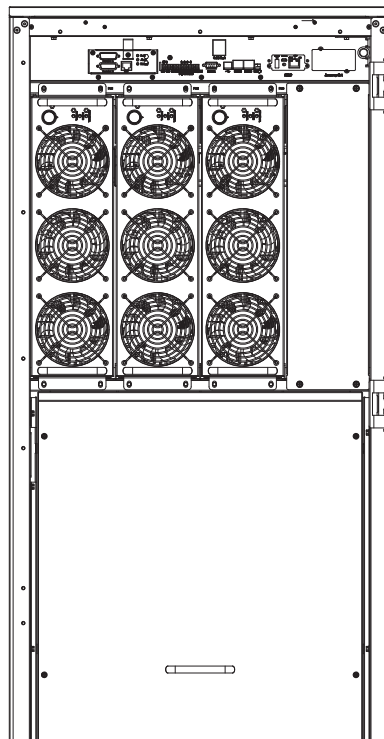


Figure 3-6: Model S3M80K with Front Door Open. (Model S3M100K appears similar, but with an additional power module with 3 fans.)

3. Installation and Wiring

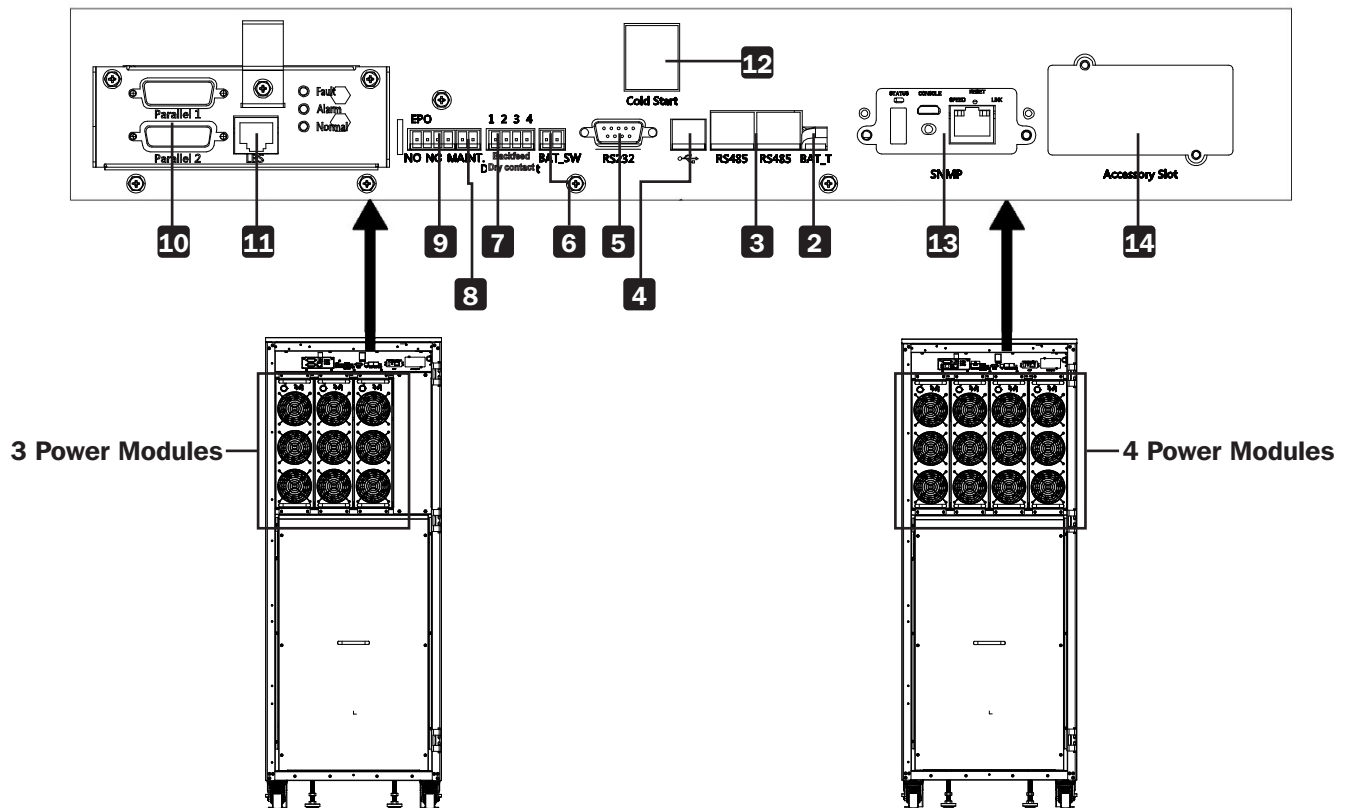


Figure 3-7: Front View Detail, Model S3M80K

- 1** LCD Panel
- 2** Battery Temperature Sensor (NTC)
- 3** RS-485 Port (MODBUS or Battery Thermostat)
- 4** USB Port
- 5** RS-232 Port
- 6** BAT_SW: Battery Breaker Status Detect*
- 7** Backfeed Protection Port
- 8** MAINTAIN-AUXSWS Port**
- 9** REPO Port
- 10** Parallel Port

* Battery Breaker Status Detect. Connect the battery breaker auxiliary contact to the BAT_SW port on the UPS and enable the function. The UPS will detect the battery breaker status (closed or open) and will display it on the LCD (Dry BATT Breaker).

** External Maintenance Breaker Status Detect. Connect the external maintenance breaker auxiliary contact to the MAINTAIN-AUXSWS port on the UPS and enable the function. The UPS will detect the external maintenance breaker status (closed or open) and display it on the LCD (Dry MBS Breaker).

- 11** LBS Port
- 12** Cold Start Button
- 13** WEBCARDLX Network Management Card
- 14** Accessory Slot
- 15** Mains Breaker
- 16** Bypass Breaker
- 17** Maintenance Breaker
- 18** Output Breaker

Figure 3-8: Front View Detail, Model S3M100K

3. Installation and Wiring

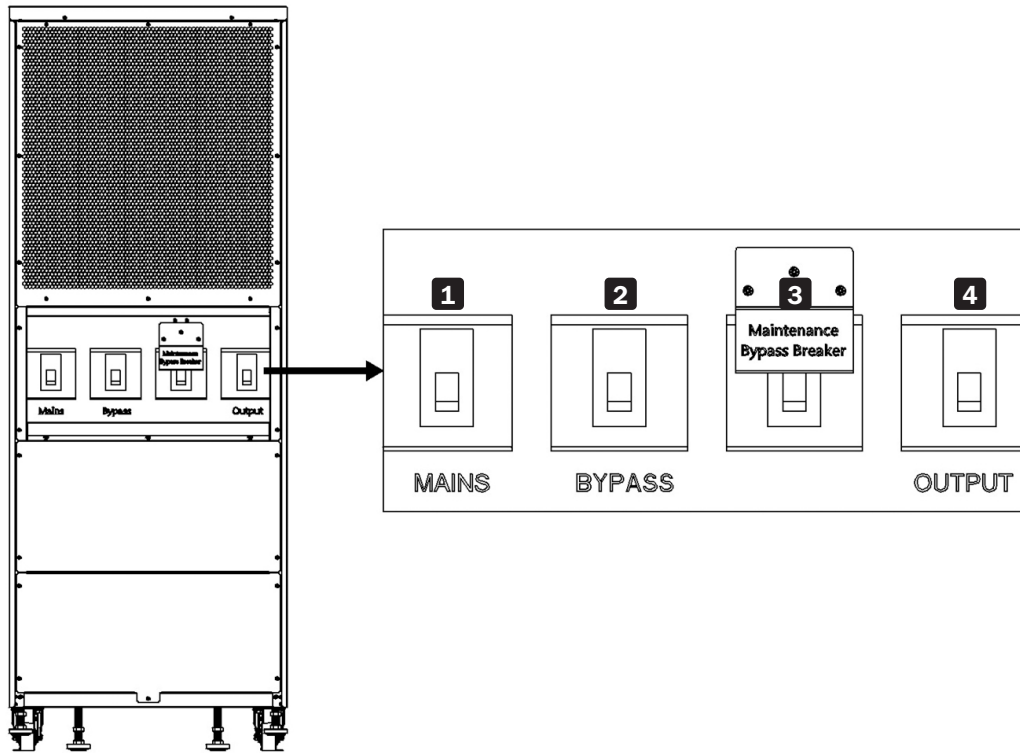


Figure 3-9: Rear View Detail, Models S3M80K and S3M100K

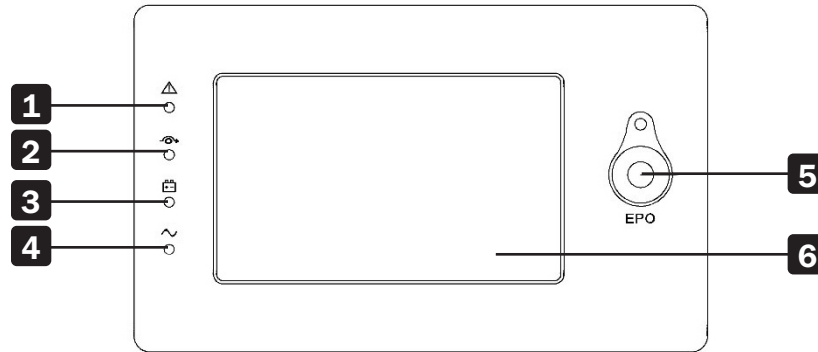
- 1** Mains Breaker
- 2** Bypass Breaker
- 3** Maintenance Breaker
- 4** Output Breaker

3. Installation and Wiring

3.6 LCD Control Panel, LEDs and Alarms

3.6.1 Introduction: LCD Display

For detailed information on LCD control panel functions, refer to sections **4.3.2 LCD Control Panel Introduction** and **4.3.3 Main Page: Default Display**.



1 Alarm LED

2 Bypass LED

3 Battery LED

4 Inverter LED

5 EPO Button (the button must be pressed for at least 3 seconds to activate EPO)

6 Touchscreen LCD Screen, 5 in. (127 mm)

3.6.2 Introduction: Audible Alarms and LEDs

	Audible Alarms		Display LEDs			
	Alarm Status	Mutable On/Off?	Alarm	Bypass	Battery	Inverter
UPS Initialization	Beeps, Once	No	Flashes/0.5s	Flashes/0.5s	Flashes/0.5s	Flashes/0.5s
UPS Online Mode (Normal)	No Beeps	No Beeps	Off	Off	Off	On
UPS Battery Mode	Beeps/2s	Yes	Off	Off	On	Off
UPS Battery Test Mode	No Beeps	No Beeps	Off	Off	On	Off
UPS ECO Mode	No Beeps	No Beeps	Off	On	Off	Off
UPS Standby Mode	No Beeps	No Beeps	Off	Off	Off	Off
UPS Static Bypass Mode	No Beeps	No Beeps	Off	On	Off	Off
UPS Maintenance Bypass Mode	No Beeps	No Beeps	Off	On	Off	Off
UPS Frequency Converter Mode	No Beeps	No Beeps	Off	Off	Off	On
UPS Load Overload	Beeps/1s	Yes	Off	Off	Off	Flashes/2s
UPS Warnings	Beeps/2s or Beeps/1s	Yes	Flashes/2s	Flashes/2s	Off	On
UPS Faults	Beeps/2s or Beeps/1s	Yes	On	On	Off	Off

3. Installation and Wiring

3.7 Installation Notes

- Place the battery cabinet in a clean, stable environment. Avoid vibration, dust, humidity, flammable gases, liquids and corrosives. Additional air filters may be required if the UPS will operate in a dusty environment. For more information on air filters for the UPS, contact tripplite.com/support.
- The environmental temperature around the UPS should be maintained in the range of 32°F to 104°F (0°C to 40°C). If the temperature exceeds this range, the rated load capacity should be reduced by 12% for 9°F (5°C). To help prevent high temperatures in the room where the UPS is installed, extractor fans and/or cooling systems are recommended. Do not operate the UPS in an environment over 122°F (50°C).
- If the UPS is installed or dismantled in low temperatures, moisture condensation might occur. Do not install the UPS unless all internal and external parts are fully dry. Otherwise, there is a danger of electric shock.
- Batteries should be mounted in an environment where the temperature is within the required specifications. Temperature is a key factor in determining battery life and capacity. Battery temperature should be maintained between 59°F to 77°F (20°C to 25°C). Keep batteries away from heat sources, main air ventilation areas, etc.



CAUTION!

Typical battery performance data reflects an operating temperature between 59°F to 77°F (20°C to 25°C). Operating the UPS above this range will reduce the battery life, while operating the UPS below this range will reduce battery capacity.

- If the UPS will not be installed immediately, it must be stored in a room without excessive heat or humidity.



CAUTION!

An unused battery must be recharged every 6 months. Temporarily connect the UPS to a suitable AC supply mains and activate it for the time required to fully charge the batteries.

- The highest altitude that UPS may work normally with full load is 1000 meters. The load capacity should be reduced when this UPS is installed in place whose altitude is higher than 1000 meters, shown as the following table:

(Load coefficient equals max load in high altitude place divided by nominal power of the UPS)

Altitude	3,281 ft. (1,000 m)	4,921 ft. (1,500 m)	6,562 ft. (2,000 m)	8,202 ft. (2,500 m)	9,843 ft. (3,000 m)	11,483 ft. (3,500 m)	13,124 ft. (4,000 m)	14,764 ft. (4,500 m)	16,404 ft. (5,000 m)
Load Coefficient	100%	95%	90%	85%	80%	75%	70%	65%	60%

- The UPS should be kept in an area with good ventilation. Ventilation holes on the front and rear of the UPS should not be blocked.

3.8 External Protective Devices

For safety reasons, it is necessary to install an external circuit breaker at the input AC utility and to the battery.

3.8.1 External Battery

The UPS and its connected batteries are protected against the effects of over-current through a DC compatible thermo-magnetic circuit breaker located close to the battery.

3.8.2 UPS Output

Any external distribution board used for load distribution shall be fitted with protective devices so as to avoid the risk of UPS overload.

3. Installation and Wiring

3.8.3 Over-Current Protection



CAUTION!

- Wiring must be performed by qualified professional personnel.
- Before wiring or making any electrical connection, ensure the power supplied to the input and output of the UPS is cut off completely and the internal battery connectors are disconnected.
- When connecting the UPS to the utility AC power and bypass source, protective devices and 3-pole connectors must be installed. The protective devices and 3-pole contactors must use approved components that meet safety certifications. The thermo-magnetic circuit breakers should be IEC 60947-2 trip curve C (normal). Refer below for required protective devices:
 - 25kVA UPS: 100A input circuit breaker required.**
 - 30kVA UPS: 125A input circuit breaker required.**
 - 50kVA UPS: 200A input circuit breaker required**
 - 60kVA UPS: 250A input circuit breaker required**
 - 80kVA UPS: 320A input circuit breaker required**
 - 100kVA UPS: 400A input circuit breaker required**
- When connecting the critical loads to the UPS, a listed certified breaker must be installed between them. Refer to the below for the required breakers:
 - 25kVA UPS: 100A input circuit breaker required.**
 - 30kVA UPS: 125A input circuit breaker required.**
 - 50kVA UPS: 200A input circuit breaker required**
 - 60kVA UPS: 250A input circuit breaker required**
 - 80kVA UPS: 320A input circuit breaker required**
 - 100kVA UPS: 400A input circuit breaker required**
- Check that the size, diameter, phase and polarity of each cable connecting to the UPS is correct. For the specifications of input/output cables, refer to the table in section **3.10.1 Power Cables**.

3.9 UPS to Battery Cabinet Model Compatibility

Battery Cabinets with Batteries	BP240V09 / 09K	BP240V40	BP240V40L	BP240V65	BP240V65L	BP240V100	BP240V100L
Battery Cabinets with NO Batteries	BP240V09-NIB	BP240V40-NIB	BP240V40L-NIB	BP240V65-NIB	BP240V65L-NIB	BP240V100-NIB	BP240V100L-NIB
S3M25K, S3M30K	No	Yes	Yes	Yes	Yes	Yes	No
S3M50K	No	No	Yes	Yes	Yes	Yes	Yes
S3M60K	No	No	No	No	Yes	Yes	Yes
S3M80K, S3M100K	No	No	No	No	Yes	No	Yes

Note: For battery cabinet breaker information, refer to the Owner's Manual for your battery cabinet.

3. Installation and Wiring

3.10 Single UPS Installation

Installation and wiring must be performed in accordance with local electrical codes/regulations and should only be performed by qualified personnel.

1. Ensure the mains wire and breakers in the building can sustain the rated capacity of the UPS to avoid electric shock or fire hazard.

Note: Using a wall receptacle as the input power source for the UPS may result in the receptacle burning or being destroyed.

2. Switch off the mains switch in the building prior to installation.
3. Turn off all the connected devices before connecting to the UPS.
4. Prepare the power cables according to the tables below. Use the recommended installed screw torque, UPS input breaker sizes and battery cabinet batteries and breaker sizes as shown.

3.10.1 Power Cables

The cable design must comply with the voltages and currents provided in this section. Installation and wiring must be performed in accordance with local electrical codes/regulations and should only be performed by qualified personnel.



WARNING!

Before starting, ensure you are aware of the location and operation of the external isolators which are connected to the UPS input/bypass supply of the mains distribution panel. Check to see if these supplies are electrically isolated. Post any necessary warning signs to prevent any inadvertent operation.

UPS Models	Cable Dimensions (mm ²)						Grounding (mm ²)
	AC Input (mm ²)		AC Output (mm ²)		DC Input (mm ²)		
	L	N	L	N	+/-	N	
S3M25K	25 Max. 35	50 Max. 50	25 Max. 35	50 Max. 50	50 Max. 70	50 Max. 70	16 Max. 25
S3M30K	35 Max. 35	50 Max. 50	35 Max. 35	50 Max. 50	50 Max. 70	50 Max. 70	25 Max. 25
S3M50K	70 Max. 70	120 Max. 120	50 Max. 70	95 Max. 95	120 Max. 120	95 Max. 95	35 Max. 35
S3M60K	95 Max. 95	70*2 Max. 150	70 Max. 70	120 Max. 120	150 Max. 150	120 Max. 120	50 Max. 50
S3M80K	120 Max. 120	95*2 Max. 95*2	95 Max. 95	70*2 Max. 70*2	185 Max. 185	70*2 Max. 70*2	70 Max. 70
S3M100K	150 Max. 150	120*2 Max. 120*2	120 Max. 120	95*2 Max. 95*2	120*2 Max. 120*2	95*2 Max. 95*2	95 Max. 95

UPS Models	Cable Dimensions (AWG)						Grounding
	AC Input		AC Output		DC Input		
	L	N	L	N	+/-	N	
S3M25K	4 AWG Max. 4 AWG	1/0 AWG Max. 1/0 AWG	4 AWG Max. 4 AWG	1/0 AWG Max. 1/0 AWG	1/0 AWG Max. 2/0 AWG	1/0 AWG Max. 2/0 AWG	5 AWG Max. 4 AWG
S3M30K	2AWG Max. 2 AWG	1/0 Max. 1/0 AWG	2 AWG Max. 2 AWG	1/0 AWG Max. 1/0 AWG	1/0 AWG Max. 2/0 AWG	1/0 AWG Max. 2/0 AWG	4 AWG Max. 4 AWG
S3M50K	2/0 AWG Max. 2/0 AWG	4/0 AWG Max. 4/0 AWG	1/0 AWG Max. 2/0 AWG	3/0 AWG Max. 3/0 AWG	4/0 AWG Max. 4/0 AWG	3/0 AWG Max. 3/0 AWG	2AWG Max. 2AWG
S3M60K	3/0 AWG Max. 3/0 AWG	2/0 AWG*2 Max. 2/0 AWG	2/0 AWG Max. 2/0 AWG	4/0 AWG Max. 4/0 AWG	2/0 AWG*2 Max. 2/0 AWG*2	4/0 AWG Max. 4/0 AWG	1/0 AWG Max. 1/0 AWG
S3M80K	4/0 AWG Max. 4/0 AWG	3/0 AWG*2 Max. 3/0 AWG*2	3/0 AWG Max. 3/0 AWG	2/0 AWG*2 Max. 2/0 AWG*2	3/0 AWG*2 Max. 3/0 AWG*2	2/0 AWG*2 Max. 2/0 AWG*2	2/0 AWG Max. 2/0 AWG
S3M100K	2/0 AWG*2 Max. 150	4/0 AWG*2 Max. 4/0 AWG*2	4/0 AWG Max. 4/0 AWG	3/0 AWG*2 Max. 3/0 AWG*2	4/0 AWG*2 Max. 120*2	3/0 AWG*2 Max. 3/0 AWG*2	3/0 AWG Max. 3/0 AWG

Table 3.1: Recommended Cross-Sectional Areas for Power Cables

3. Installation and Wiring

- When selecting, connecting and routing power cables, follow local electrical codes/regulations.
- If primary loads are non-linear loads, increase the cross-sectional areas of neutral wires 1.5-1.7 times.
 - The nominal battery discharge current refers to the current of forty 12V batteries at 240V in standard configuration.
 - The maximum battery discharge current refers to the current with forty 12V batteries in standard configuration, that is two hundred and forty 2V battery cells (1.67V/cell), stop discharging.
- The battery cable specifications are selected based on 20 batteries.
 - When the mains input and bypass input share a power source, configure both types of input power cables as mains input power cables. The cables listed in Table 3.1 are used only when the following requirements are met:
 - Routing mode: Routing the cables over the cable ladder or bracket in a single layer
- The length of the AC power cables of a UPS is no longer than 30 m (98 ft.) and DC power cables no longer than 50 m (164 ft.).

Model	Connector	Connection Mode	Bolt Type	Bolt Hole Diameter	Torque
S3M25K S3M30K	Mains Input Connector	Crimped OT Terminals	M8	9mm	20N•m
	Bypass Input Connector	Crimped OT Terminals	M8	9mm	20N•m
	Battery Input Connector	Crimped OT Terminals	M10	11mm	26N•m
	Output Connector	Crimped OT Terminals	M8	9mm	20N•m
	Neutral Connector	Crimped OT Terminals	M8	9mm	20N•m
	Grounding Connector	Crimped OT Terminals	M8	9mm	20N•m
S3M50K S3M60K	Mains Input Connector	Crimped OT Terminals	M10	11mm	26N•m
	Bypass Input Connector	Crimped OT Terminals	M10	11mm	26N•m
	Battery Input Connector	Crimped OT Terminals	M10	11mm	26N•m
	Output Connector	Crimped OT Terminals	M10	11mm	26N•m
	Neutral Connector	Crimped OT Terminals	M10	11mm	26N•m
	Grounding Connector	Crimped OT Terminals	M10	11mm	26N•m
S3M80K S3M100K	Mains Input Connector	Crimped OT Terminals	M10	11mm	26N•m
	Bypass Input Connector	Crimped OT Terminals	M10	11mm	26N•m
	Battery Input Connector	Crimped OT Terminals	M10	11mm	26N•m
	Output Connector	Crimped OT Terminals	M10	11mm	26N•m
	Neutral Connector	Crimped OT Terminals	M10	11mm	26N•m
	Grounding Connector	Crimped OT Terminals	M10	11mm	26N•m

Table 3.2: Power Cable Connector Requirements

3. Installation and Wiring

3.10.2 Recommended Circuit Breakers

UPS Model	Component	Specifications
S3M25K	Mains Input Circuit Breaker	100A 3P
	Bypass Input Circuit Breaker	100A 3P
	Output Circuit Breaker	100A 3P
	Battery Circuit Breaker	160A 3P
S3M30K	Mains Input Circuit Breaker	125A 3P
	Bypass Input Circuit Breaker	125A 3P
	Output Circuit Breaker	125A 3P
	Battery Circuit Breaker	200A 3P
S3M50K	Mains Input Circuit Breaker	200A 3P
	Bypass Input Circuit Breaker	200A 3P
	Output Circuit Breaker	200A 3P
	Battery Circuit Breaker	320A 3P
S3M60K	Mains Input Circuit Breaker	250A 3P
	Bypass Input Circuit Breaker	250A 3P
	Output Circuit Breaker	250A 3P
	Battery Circuit Breaker	400A 3P
S3M80K	Mains Input Circuit Breaker	320A 3P
	Bypass Input Circuit Breaker	320A 3P
	Output Circuit Breaker	320A 3P
	Battery Circuit Breaker	600A 3P
S3M100K	Mains Input Circuit Breaker	400A 3P
	Bypass Input Circuit Breaker	400A 3P
	Output Circuit Breaker	400A 3P
	Battery Circuit Breaker	600A 3P

Table 3.3: Recommended Input Front-End and Output Back-End Circuit Breakers



CAUTION!

Protective earth cable: connect each cabinet to the main ground system. For grounding connection, follow the shortest route possible.



WARNING!

Failure to follow adequate earthing procedures may result in electromagnetic interference or in hazards including electric shock and fire.

3. Installation and Wiring

3.11 Single Input (Mains) Connection

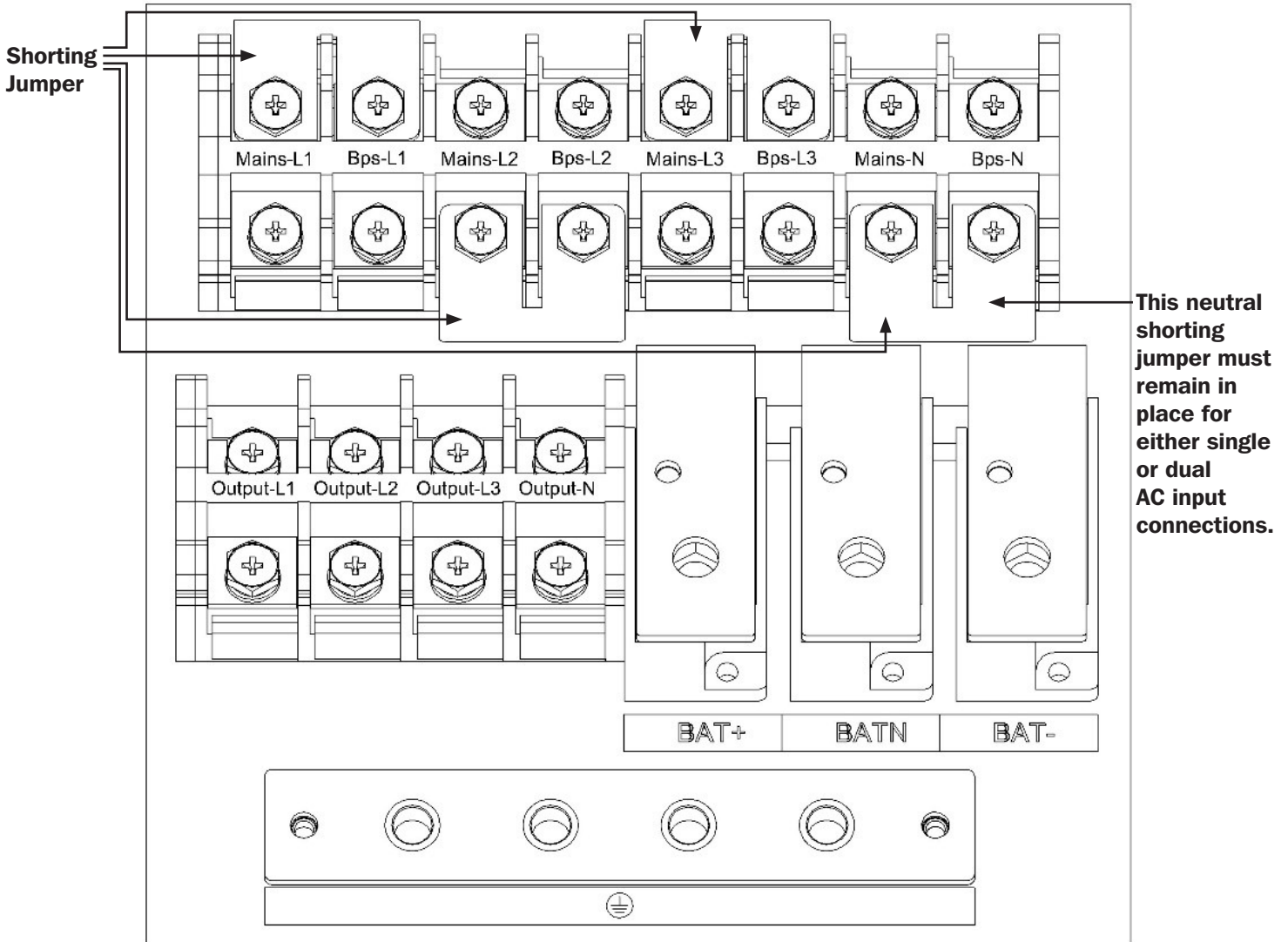


Figure 3-10: Single Input Connection, Models S3M25K and S3M30K

Note: The UPS unit is defaulted to single input mode. Remove the shorting jumpers to use in dual input mode.

3. Installation and Wiring

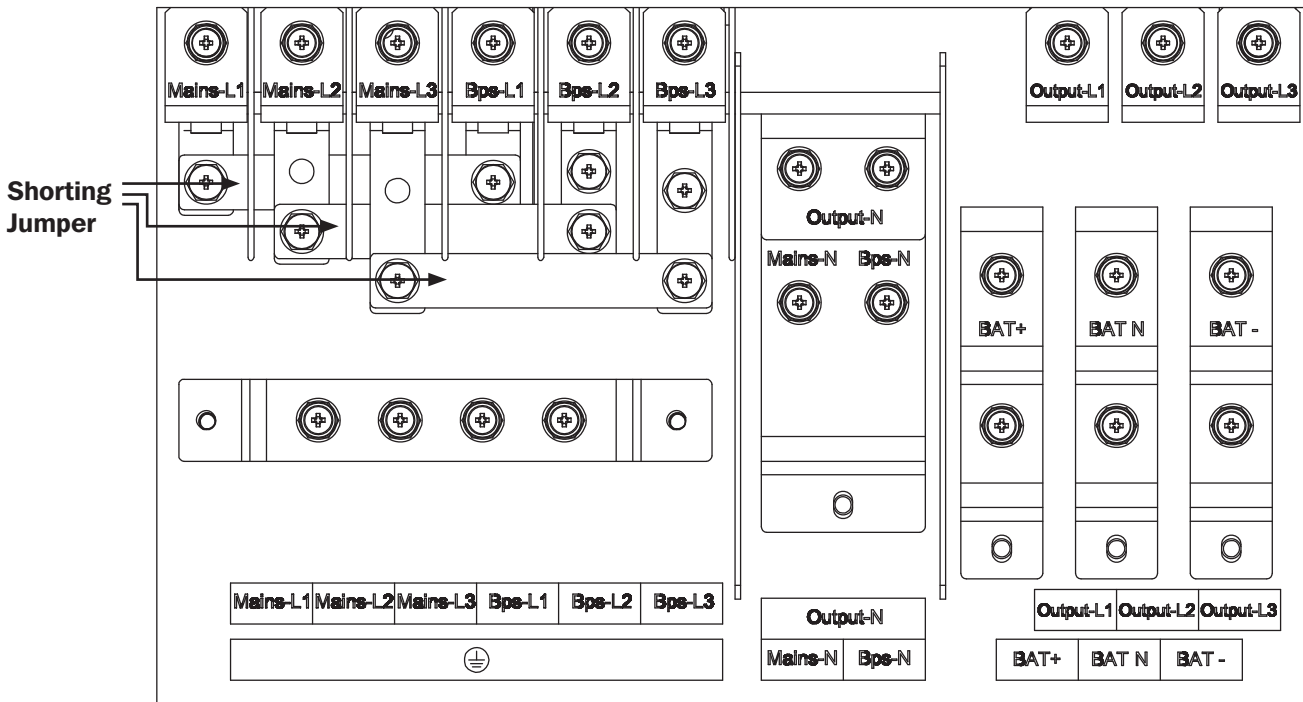


Figure 3-11: Single Input Connection, Models S3M50K and S3M60K

Note: The UPS unit is defaulted to single input mode. Remove the shorting jumpers to use in dual input mode.

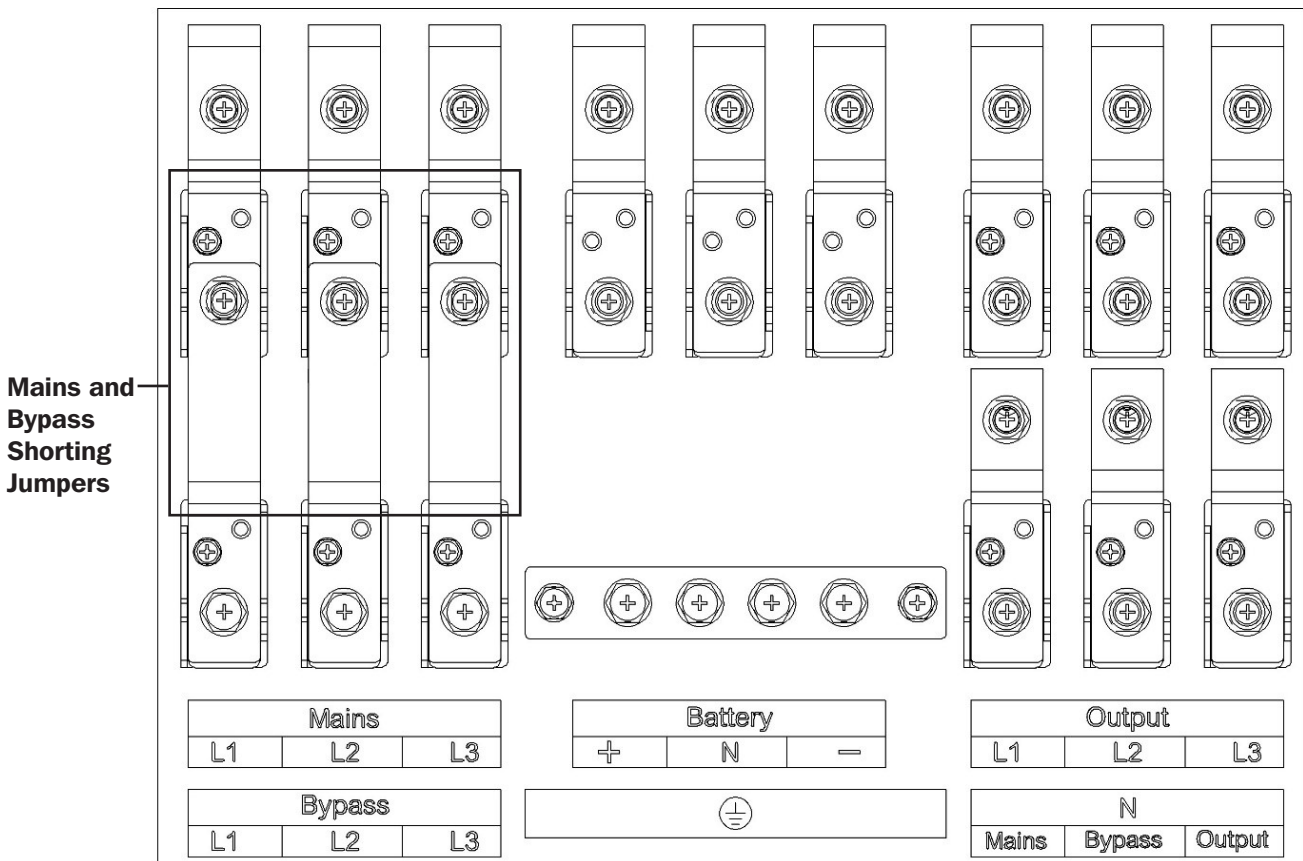


Figure 3-12: Single Input Connection, Models S3M80K and S3M100K

Note: The UPS unit is defaulted to single input mode. Remove the shorting jumpers to use in dual input mode.

3. Installation and Wiring

INPUT Primary input Line	OUTPUT
	Vout-L1: Output Phase L1
Vin-L1: Primary input Phase L1	Vout -L2: Output Phase L2
Vin-L2: Primary input Phase L2	Vout -L3: Output Phase L3
Vin-L3: Primary input Phase L3	Vout -N: Output Neutral
Vin-N: Input Neutral for primary and secondary input	PE: Grounding
	BAT +: Positive terminal of the batteries string
	BATN: Neutral terminal of the batteries string
	BAT-: Negative terminal of the batteries string

3.12 Dual Input (Mains and Bypass) Connection

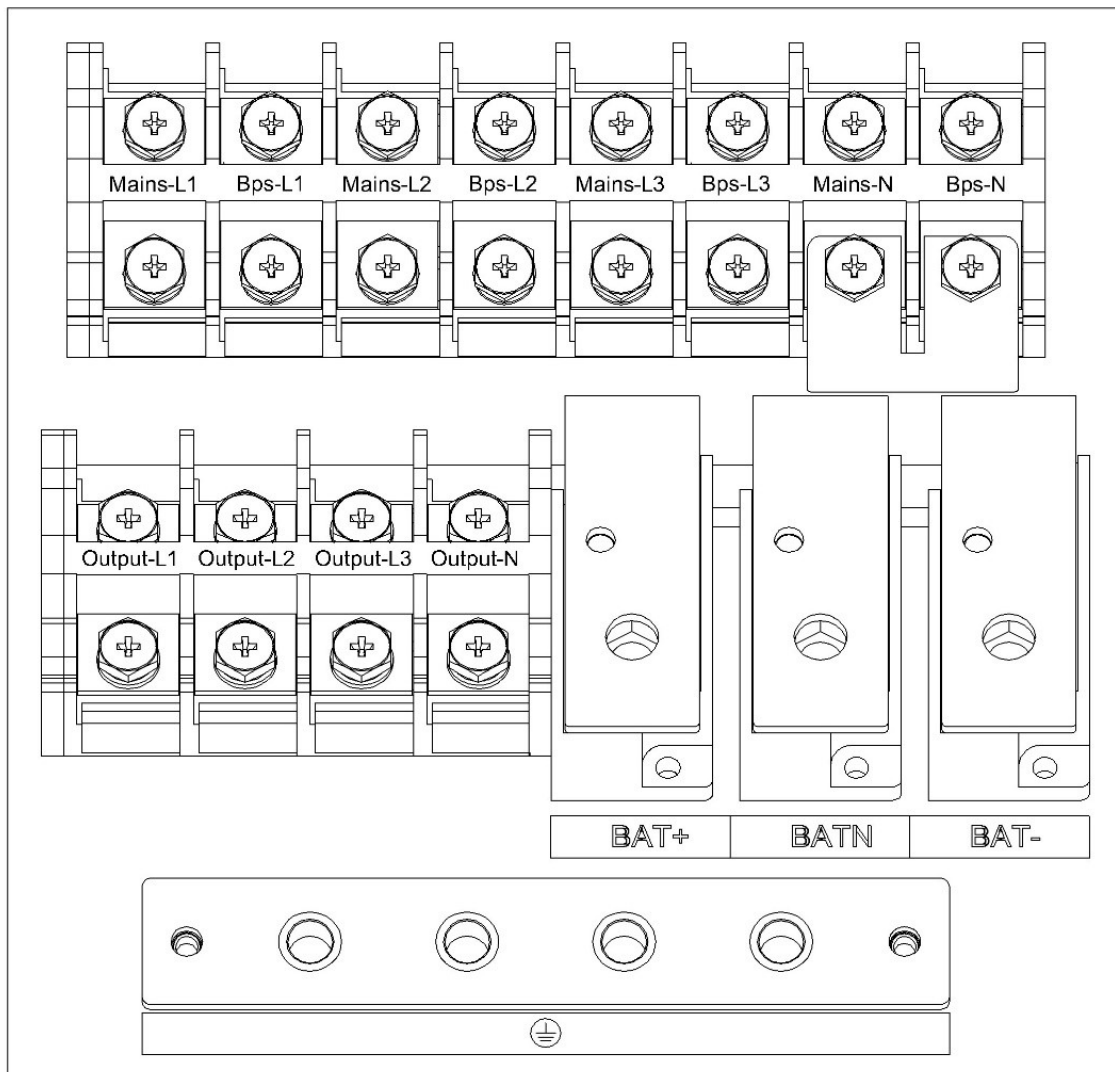


Figure 3-13: Dual Input Connection, Models S3M25K and S3M30K

Note: The UPS unit is defaulted to single input mode, as shown in Figure 3-10. Remove the shorting jumpers to use in dual input mode.

3. Installation and Wiring

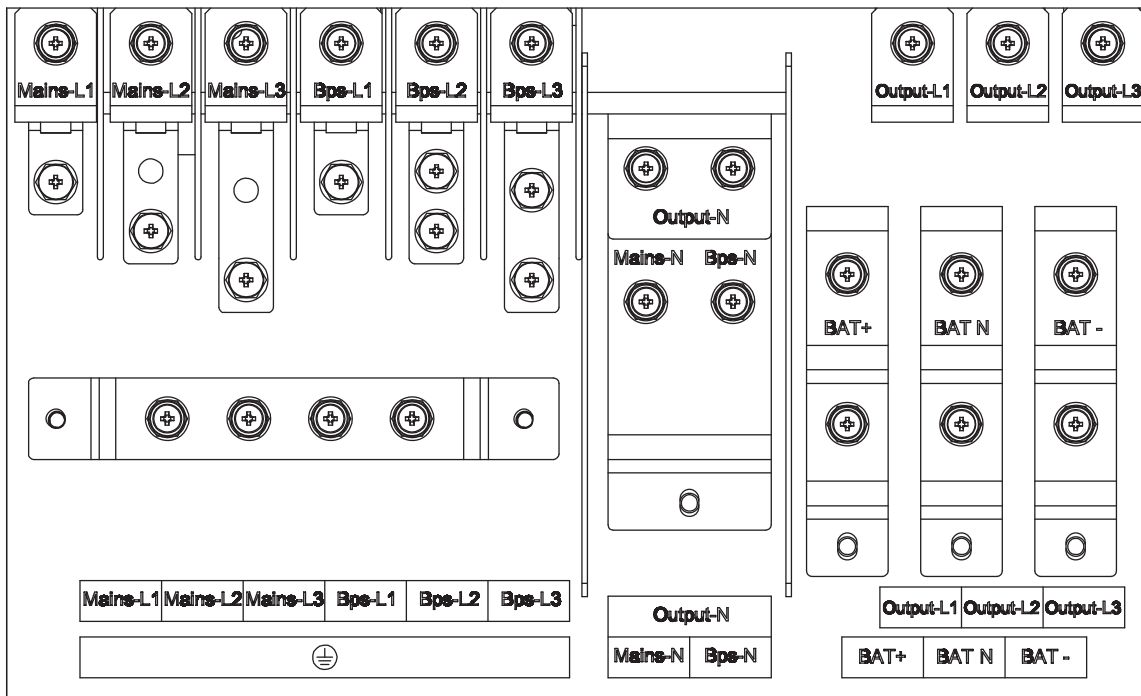


Figure 3-14: Dual Input Connection, Models S3M50K and S3M60K

Note: The UPS unit is defaulted to single input mode, as shown in Figure 3-11. Remove the shorting jumpers to use in dual input mode.

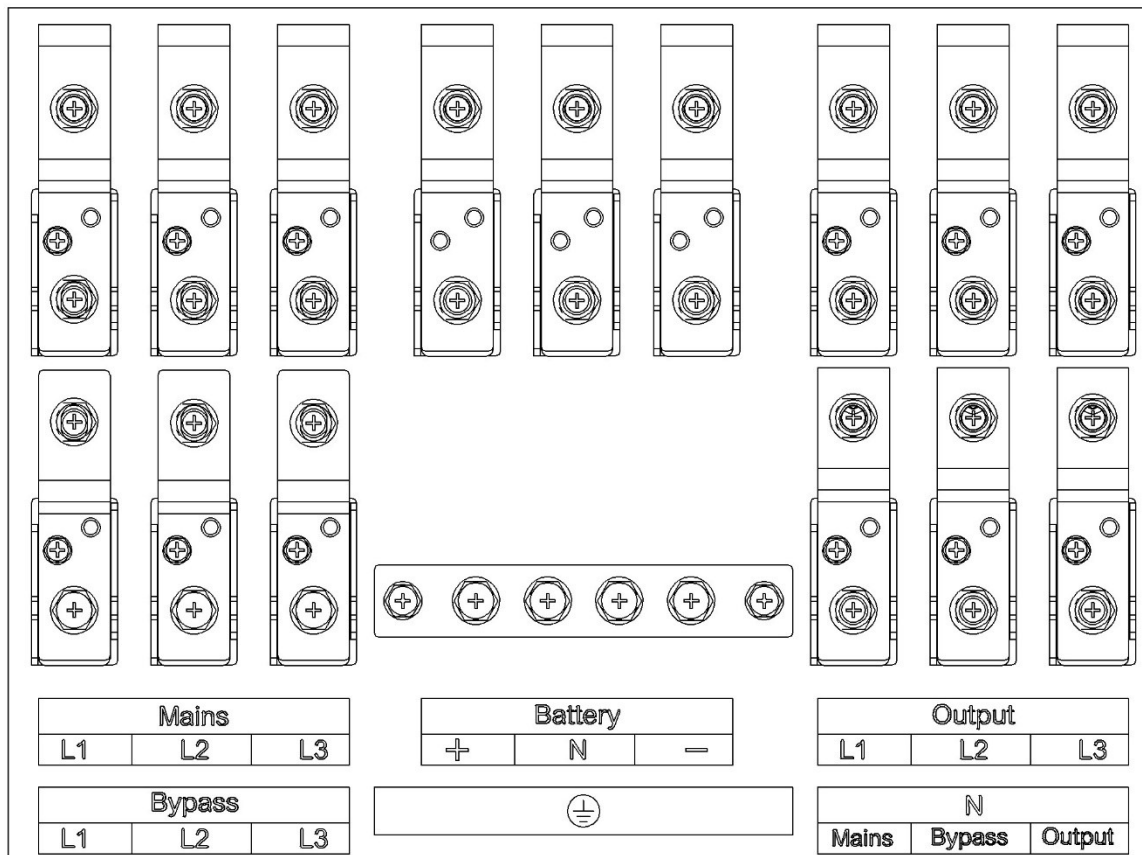


Figure 3-15: Dual Input Connection, Models S3M80K and S3M100K

Note: The UPS unit is defaulted to single input mode, as shown in Figure 3-12. Remove the shorting jumpers to use in dual input mode.

3. Installation and Wiring

Mains Primary input Line	Output
Bypass Secondary/Bypass input line (optional)	Vout-L1: Output Phase L1
Vin-L1: Primary input Phase L1	Vout-L2: Output Phase L2
Vin-L2: Primary input Phase L2	Vout-L3: Output Phase L3
Vin-L3: Primary input Phase L3	Vout-N: Output Neutral
Vin-N: Input Neutral for primary and secondary input	PE: Grounding
BPS-L1: Secondary input Phase L1	BAT +: Positive terminal of the batteries string
BPS-L2: Secondary input Phase L2	BATN: Battery Center Tap N
BPS-L3: Secondary input Phase L3	BAT -: Negative terminal of the batteries string



WARNING: In the case of dual input operation, ensure the copper wire between each input line has been removed. The AC input and the AC bypass supplies must be referenced to the same neutral point.

Choose the appropriate power cable (refer to Table 3.1). The diameter of the connection terminal of the cable should be greater than or equal to that of the connection poles.

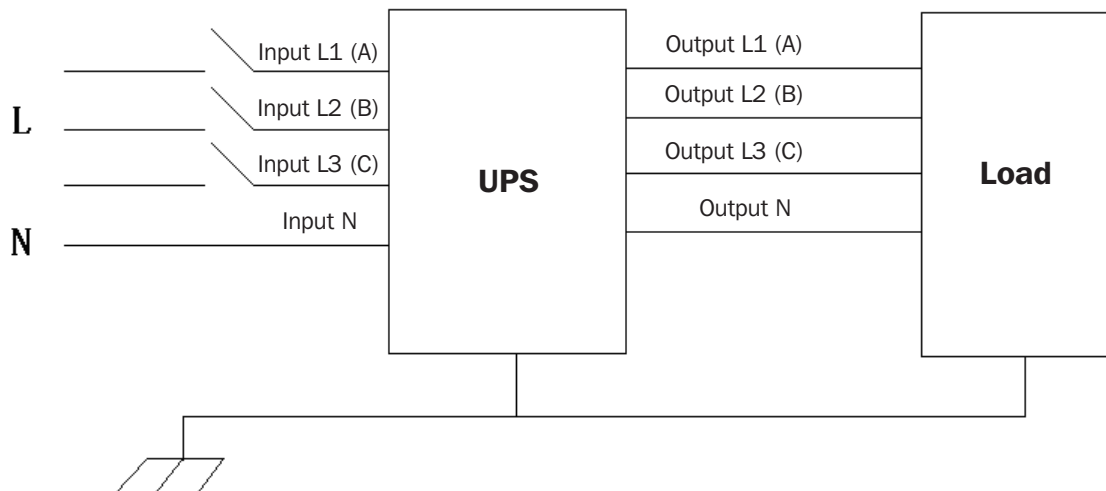


Figure 3-16: Input and Output Connections



WARNING!

If the load equipment is not ready to accept power upon the arrival of the commissioning engineer, then ensure that the system output cables are safely isolated at their ends.

Connect the safety earth and any necessary bonding earth cables to the copper earth screw located on the floor of the equipment below the power connections. All cabinets in the UPS must be grounded properly.



CAUTION!

Installation and wiring must be performed in accordance with local codes/regulations and installed using the following instructions by a qualified electrical service technician only.

3. Installation and Wiring

3.13 UPS Installation for Parallel Systems



WARNING: Installation and wiring must be performed in accordance with local codes/regulations and installed using the following instructions by a qualified electrical service technician only.

Cabinet Installation

Connect the UPS for parallel installation per the diagram in Figure 3-17.

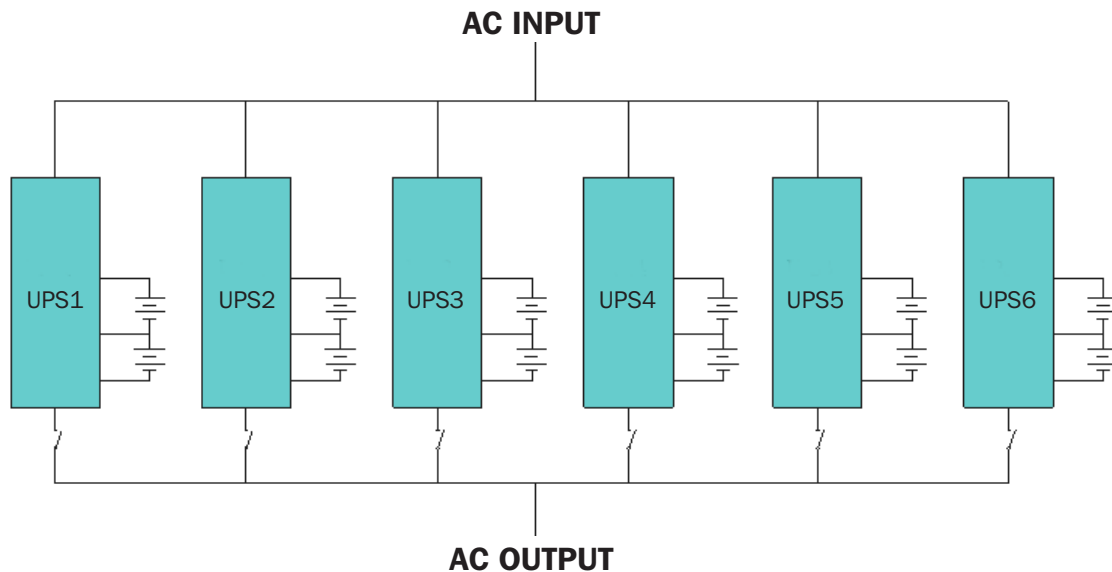


Figure 3-17: Connections for Parallel Installation

Ensure each UPS input breaker is in “off” position and there is no output from any connected UPS. Battery groups can be connected separately or in parallel, which means the system itself provides both separate battery and common battery.



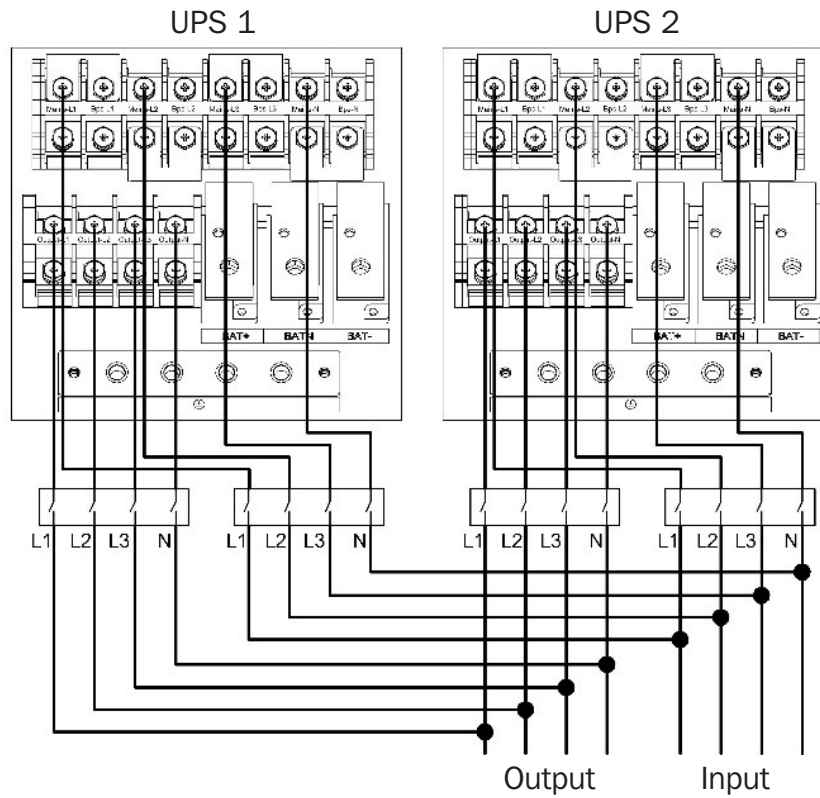
WARNING! Make sure the N, L1, L2 and L3 lines are correct and grounding is well connected.

1. Parallel configuration supports up to six UPS systems. Do not attempt to link more than six UPS systems via parallel configuration.
2. Install and wire the UPS system according to section **3.13.1** and **3.13.2** guidelines.
3. When installing the parallel system, the length of input wires (L1, L2, L3, N) in one UPS must be equal to the input wires of the other UPS. Likewise, the length of output wires (L1, L2, L3, N) must also be in equal length. If not, it will cause unbalance current on the output load.
4. Connect the input wiring of each UPS to an input breaker.
5. Connect all input breaker wiring to a main input breaker.
6. Connect the output wiring of each UPS to an output breaker.
7. Connect all output breakers to a main output breaker. This main output breaker will directly connect to the loads.
8. If an external battery pack is used, each UPS must be connected to an independent battery pack or a common battery pack.
9. Refer to the following wiring diagram for parallel installation:

3. Installation and Wiring

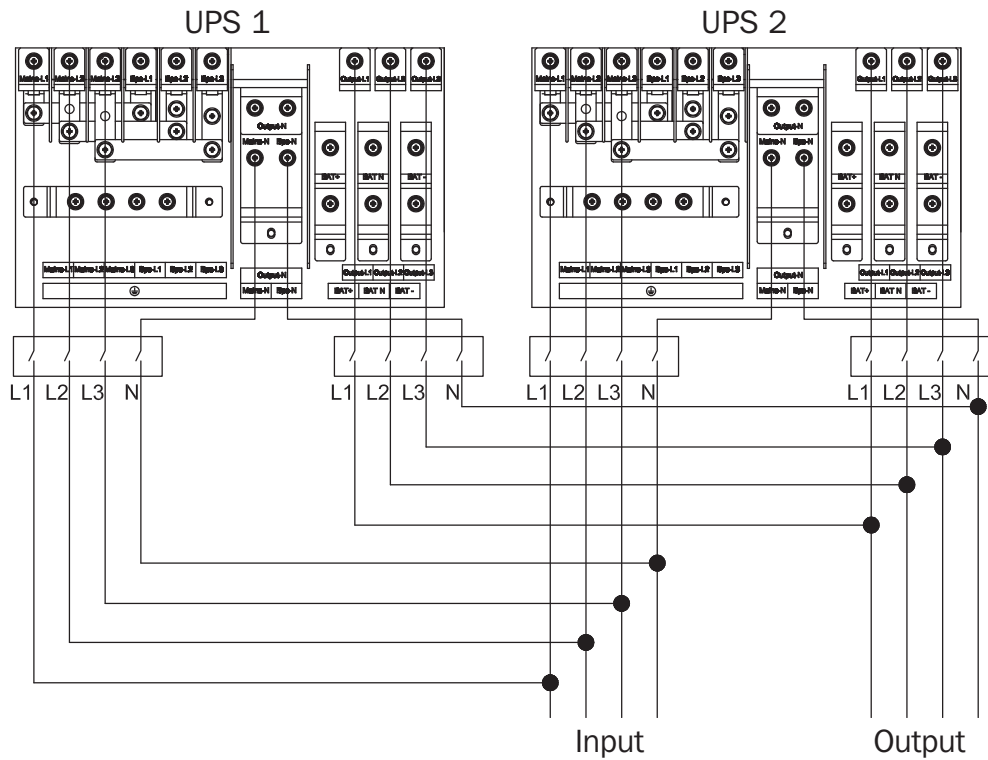
3.13.1 Parallel Power Cable Connections

Models S3M25K and S3M30K



Note: The LCD indicates L1 as (A), L2 as (B) and L3 as (C).

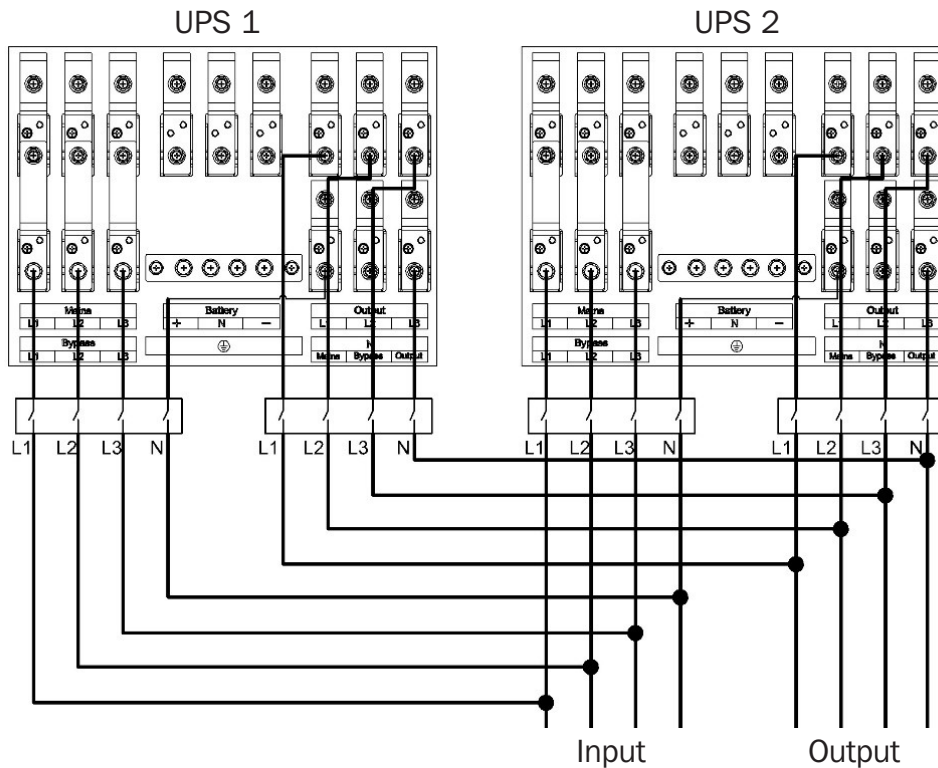
Models S3M50K and S3M60K



Note: The LCD indicates L1 as (A), L2 as (B) and L3 as (C).

3. Installation and Wiring

Models S3M80K and S3M100K



Note: The LCD indicates L1 as (A), L2 as (B) and L3 as (C).

Make sure each UPS input breaker is in “off” position and there is no any output from each UPS connected. Battery groups can be connected separately or in parallel, which means the system itself provides both separate battery and common battery.

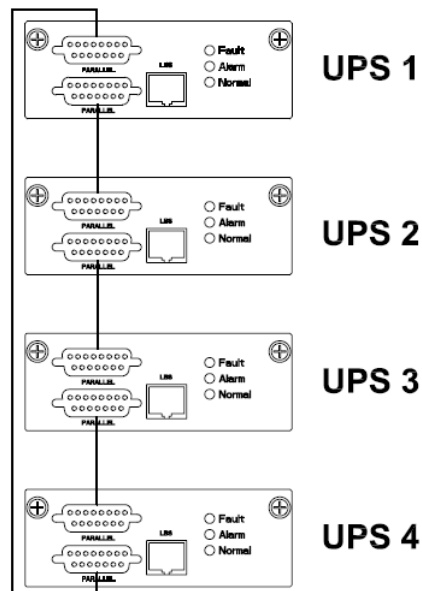


WARNING!

Make sure the N, L1 (A), L2 (B), L3 (C) lines are correct, and grounding is well connected.

3.13.2 Parallel Cable Installation

Shielded and double insulated control cables must be interconnected in a ring configuration between UPS units as shown below. The ring configuration ensures high reliability of the control. Use only the parallel cables supplied by Tripp Lite.



Note: Refer to section 4.3.6.2.2 step 2 for information on configuring the UPS units in parallel for capacity or redundancy using the display.

3. Installation and Wiring

3.13.3 Parallel System Commissioning

Parallel systems should be commissioned only after setup is complete for the individual systems.

The example below is for commissioning four units in parallel.

1. Confirm the input/output wire connections and input phase sequence are correct. Switch off the battery breaker and measure to ensure the +/- bat voltages of all battery groups are normal.
2. Connect the parallel cable. It should be a formed loop connection.
3. Switch on the input breaker of unit 1 and access the LCD setting interface to set the parallel working mode, ID, parallel number and redundant number (refer to section **4.3.6.2.2**). Set required setting for series number and battery capacity. The output voltage level and bypass protection range are default setting.
4. Turn off the input breaker of unit 1 and make sure the UPS is off. Turn on the input breaker of unit 2. Access the LCD setting interface to set the parallel working mode, ID, parallel number and redundant number. The other settings are the same as UPS 1 operation.
5. For unit 3 and unit 4, the operation settings are all the same as units 1 and 2.
6. Turn on Bypass/Input/Output breakers on all the paralleled UPS, then confirm all the settings are correct. Each UPS has a different ID.
7. Turn on all the battery breakers and confirm the parameters (V/I) are normal.
8. Connect the load, and check to ensure the output currents are balanced.
9. Switch the utility breaker on and off to test that all the UPS units' converter systems go from utility power to battery power and restored functions are working.

3.14 Load Bus Synchronization (LBS) Installation

The function of LBS is to keep the output of two independent UPS systems (single unit or multiple units) in synchronization even when the two systems are operating on different modes (bypass/inverter) or on batteries. It is usually used with a Static Transfer Switch (STS) connected to the critical load to achieve Dual Bus configuration.

LBS can be divided into trace and switch in functions. The trace function takes charge of the synchronization of the two systems, while the switch oversees the power supply switch between the two systems. When one system shuts down or output is abnormal, the STS will switch to the supply of the other system to guarantee power supply maintenance to load.

In common, the switch function is independent from the UPS system. The trace logic is emphasized. The two independent UPS systems are different in trace logic. One system is the Master and the other is the Slave. The logic is defined below.

Hardware: Connect the LBS cable into RJ45 interfaces of the two end UPS systems in each group. The full system is shown below.

3.14.1 LCD Setting

Set every UPS of the system to be LBS Master or LBS Slave. For instance if the UPS belongs to the LBS Master system, its LBS setting must be set to Master.

- If both the two systems supply to the inverter side, the Slave will trace the Master;
- If the Master supplies through bypass and the Slave supplies to the inverter side, the Slave will trace the Master;
- If Master supplies to the inverter side and the Slave supplies through bypass, the Master will trace the Slave;
- If both of the systems supply through bypass, there is no trace between the two systems.

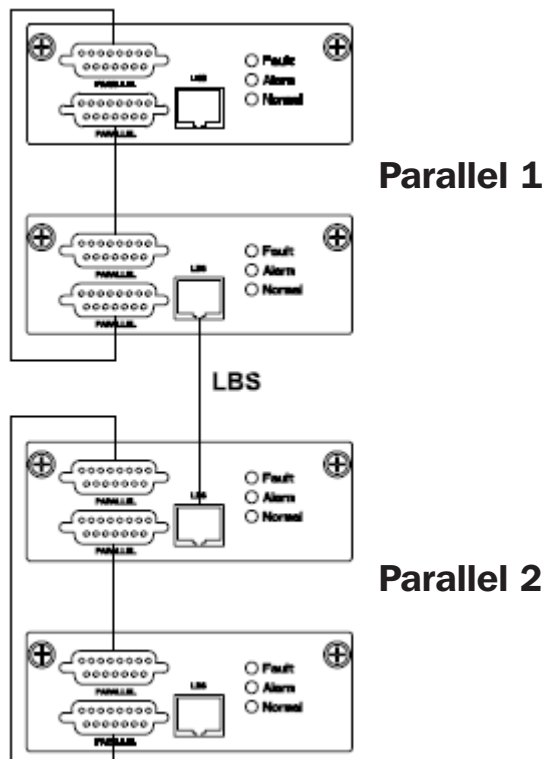
Note: The trace source must be in trace range, otherwise, there will be no trace. If the inverter does not output to the UPS, it can't be affected by the LBS signal.

3. Installation and Wiring

3.14.2 LBS Cable Installation

The two connectors of one mesh wire should be plugged into the RJ45 interface of any one UPS of both the Master and Slave systems. Refer to the following diagram.

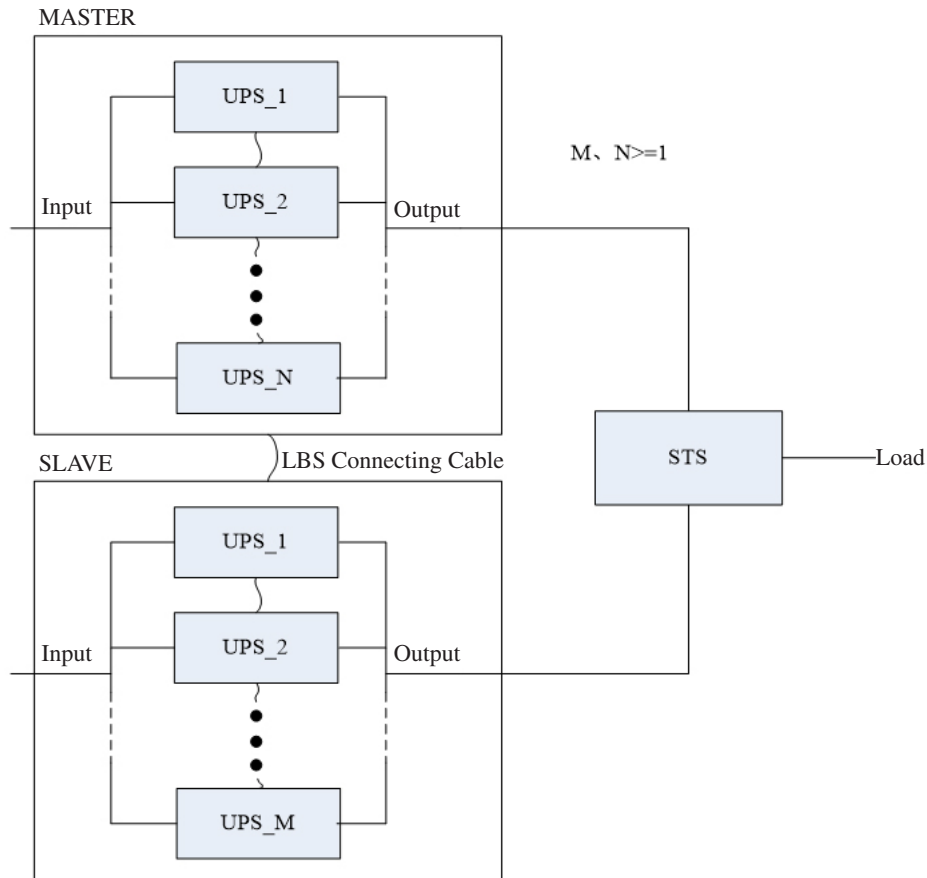
Note: Connecting UPS systems in parallel is independent of connecting the UPS systems in LBS mode. LBS does not mean connecting in parallel.



3. Installation and Wiring

3.14.3 UPS installation

The complete system is shown below.



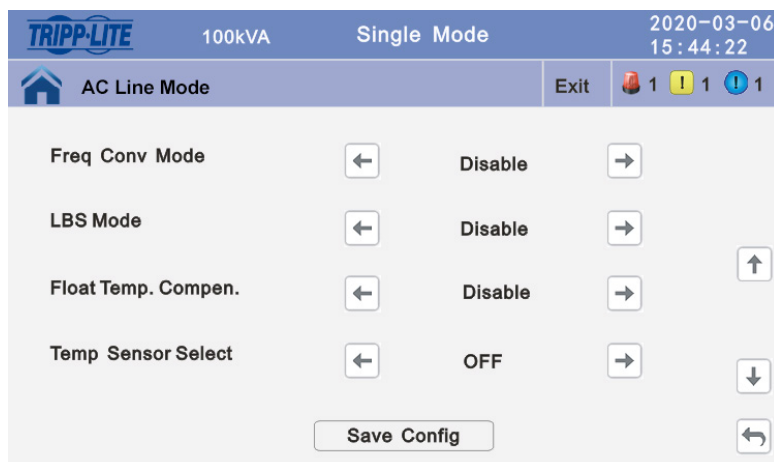
3.14.4 LBS Settings

Turn off inverter, then turn on the LCD of the UPS.

Homepage Setting >> Advanced Setting >> Password "191210" >> System Setup

LBS mode: Setting value: LBS Disable, LBS Master, LBS Slave. The default is LBS Disable.

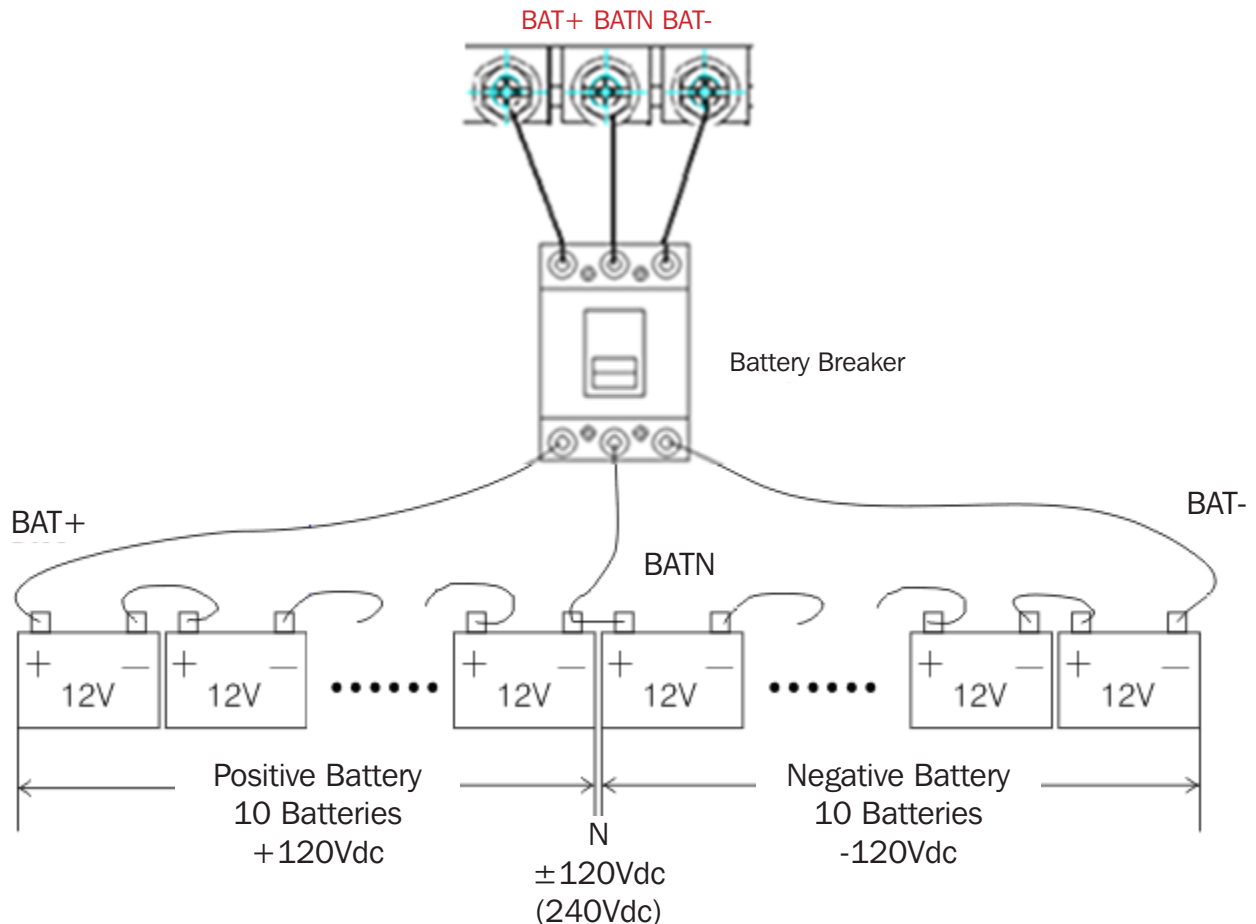
- Single UPS LBS system – Set one UPS to LBS Mode LBS Master; set one UPS to LBS Mode, LBS Slave.
- Parallel UPS systems – Set one parallel UPS system to LBS Mode LBS Master; set one parallel UPS system to LBS Mode, LBS Slave.



3. Installation and Wiring

3.15 External Battery Connections

The UPS has positive and negative double battery framework, with a total of 20 batteries in series. A neutral cable is retrieved from the joint between the cathode of the tenth battery and the anode of the tenth battery. Then the neutral cable, the battery positive and the battery negative are connected with the UPS respectively. The battery sets between the battery anode and the neutral are called positive batteries, and those between neutral and cathode are called negative batteries. Refer to section **3.9 UPS to Battery Cabinet Model Compatibility**.



Notes:

- The BAT+ of the UPS connect poles is connected to the anode of the positive battery.
- The BAT-N is connected to the cathode of the positive battery and the anode of the negative battery.
- The BAT- is connected to the cathode of the negative battery.



CAUTION!

Ensure correct polarity battery string series connection, i.e. inter-tier and inter-block connections are from (+) to (-) terminals.

Do not mix batteries with different capacity or of different brands. Do not mix new and old batteries.



WARNING!

Ensure correct polarity of string end connections to the battery circuit breaker and from the battery circuit breaker to the UPS terminals, i.e. (+) to (+) / (-) to (-) / (N) to (N), but disconnect one or more battery cell links in each tier. Do not reconnect these links and do not close the battery circuit breaker unless authorized by the commissioning technician.

3. Installation and Wiring

Multiple Battery Pack Connections



CAUTION!

Ensure correct polarity of the battery string series connection. **DO NOT** mix batteries with different capacity or different brands, or new or old batteries.



WARNING!

Ensure correct polarity of string end connections to the battery circuit breaker, and from the battery circuit breaker to the UPS terminals (i.e., (+) to (+) / (-) to (-) / (N) TO (N)). Disconnect one or more battery cell links in each tier. do not reconnect these links and do not close the battery circuit breaker unless all connections are properly checked and approved.

Note: Please refer to section 4.3.6.2.4 for information on configuring the battery Ah capacity, the number of batteries and the number of battery cabinets.

4. Operation

4.1 Operation Modes

The UPS is a double-conversion on-line UPS that may operate in the following alternative modes:

4.1.1 AC Line Mode

The rectifier/charger derives power from the AC mains and supplies DC power to the inverter while floating and boosting charge to the battery simultaneously. Then, the inverter converts the DC power to AC and supplies to the load.

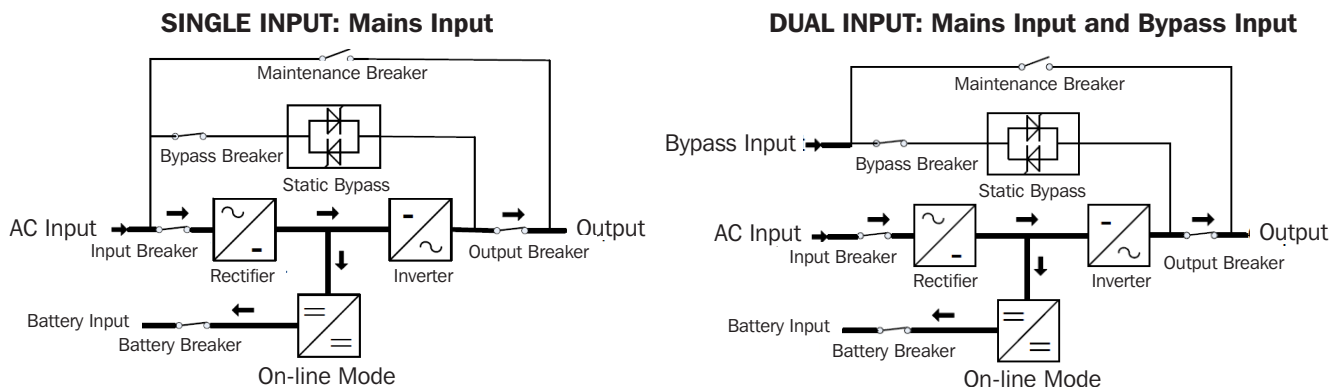


Figure 4-1: AC Line Mode

4.1.2 Battery Mode (Stored Energy Mode)

If the AC mains input power fails, the inverter, which obtains power from the battery, supplies the critical AC load. There is no power interruption to the critical load. The UPS will automatically return to Normal Mode when AC recovers.

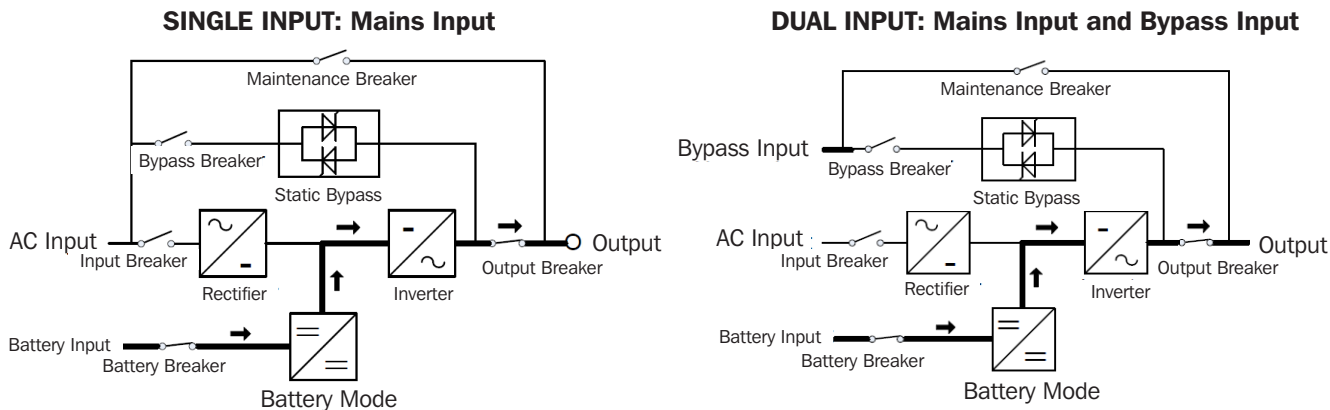


Figure 4-2: Battery Mode

4. Operation

4.1.3 Bypass Mode

If the inverter is out of order, or if overload occurs, the static transfer switch will activate to transfer the load from the inverter supply to bypass supply without interruption to the critical load. In the event the inverter output is not synchronized with the bypass AC source, the static switch will perform a transfer of the load from the inverter to the bypass with power interruption to the critical AC load. This is to avoid paralleling of unsynchronized AC sources. This interruption is programmable but typically set to be less than an electrical cycle, e.g. less than 15 ms (50 Hz) or less than 13.33 ms (60 Hz).

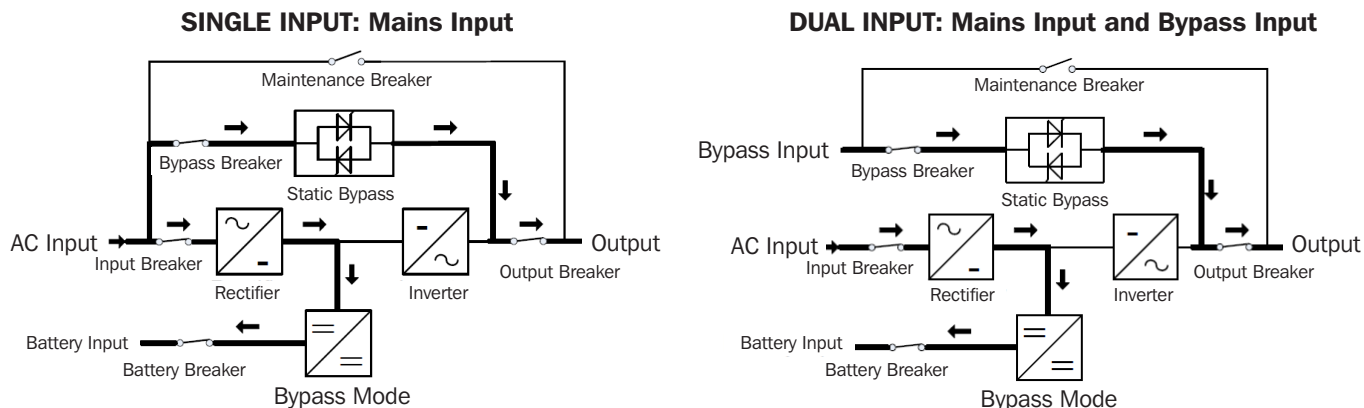


Figure 4-3: Bypass Mode

4.1.4 ECO Mode

When the UPS is at AC Mode and the requirement to the load is not critical, the UPS can be set at ECO mode in order to increase the efficiency of the power supplied. At ECO mode, the UPS works at Line-Interactive mode, so the UPS will transfer to bypass supply. When the AC is out of set window, the UPS will transfer from bypass to Inverter and supplies power from the battery, and then the LCD shows all related information on the screen. The UPS will default to ECO Mode after powering up.

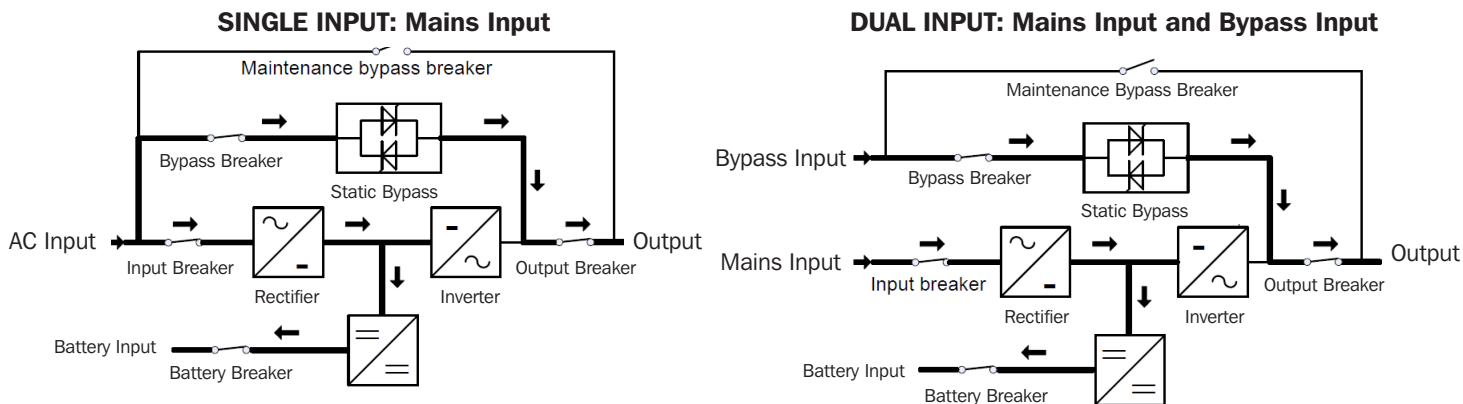


Figure 4-4: ECO Mode

4. Operation

4.1.5 Maintenance Mode (Manual Bypass)

A manual bypass switch is available to ensure continuity of supply to the critical load when the UPS is out of order or in repair and this manual bypass switch bears for equivalent rated load.

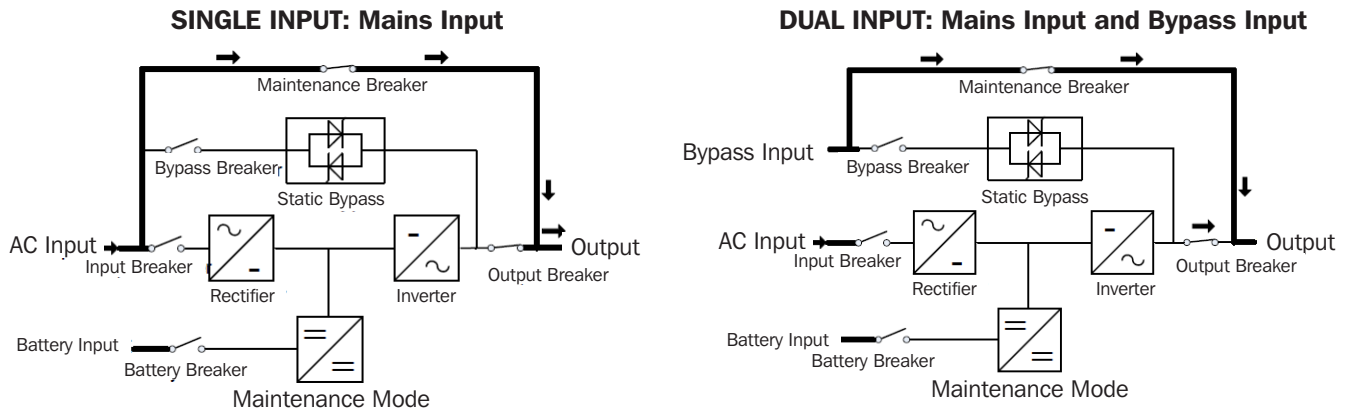


Figure 4-5: Maintenance Mode

4.2 Turning the UPS On/Off

4.2.1 Basic Startup

Upon completion of the following procedure, the UPS will support the load in Online Mode or ECO Mode (if enabled).

1. Confirm the battery is connected. Turn on any external battery cabinet breakers (if applicable).
2. Turn ON the Bypass Breaker.
3. Turn ON the Main Input Breaker.
4. Turn ON the Output Breaker.
5. The inverter will perform a slow startup and build up to nominal voltage. The UPS will transfer to Online Mode or ECO Mode (if enabled) within one to two minutes.
6. Confirm no active alarms are present.

4.2.2 UPS Shutdown

Upon completion of the following procedure, the UPS will be powered off and the load will not be supported.

1. With the UPS in Online Mode or ECO Mode, stop the inverter using the display menu (Home > Common > INV ON/OFF > INV OFF). The UPS will transfer to Bypass Mode. Confirm the Bypass LED is illuminated and the LCD displays Bypass Mode before proceeding.
2. Turn OFF the Output Breaker. The load will be dropped.
3. Turn OFF the Main Input breaker.
4. Turn OFF the Bypass breaker. The UPS will power down shortly afterwards.
5. Turn OFF the Battery breaker from the external battery cabinet (if applicable).

4. Operation

4.2.3 Cold Start

Upon completion of the following procedure, the UPS will support the load from battery power.

1. Confirm the battery is connected. Turn on any external battery cabinet breakers (if applicable).
2. Turn ON the Output breaker.
3. Press the Cold Start button located on the rear of 25kVA to 60kVA UPS models and on the front of 80kVA to 100kVA models. The inverter will perform a slow startup and build up to nominal voltage. Upon completion, the UPS will transfer to Battery Mode and support the load.
4. Once utility power is restored and stabilized, turn ON the Bypass breaker and Main Input breaker. The UPS will transfer to Online Mode or ECO Mode (if enabled).
5. Confirm no active alarms are present.

4.2.4 Transfer to Maintenance Bypass Mode

Upon completion of the following procedure, the UPS will shut down. However, power will continue to be supplied to the output terminal block.

1. Remove the Maintenance Bypass breaker cover on the rear of the UPS by removing the two (2) mounting screws. The UPS will transfer to Bypass Mode automatically. Confirm the Bypass LED is illuminated and the LCD displays Maintenance Bypass before proceeding.
2. Turn ON the Maintenance Bypass breaker.
3. Turn OFF the Output breaker.
4. Turn OFF the Main Input breaker.
5. Turn OFF the Bypass breaker. The UPS will power down shortly afterwards.
6. Turn OFF the Battery breaker from the external battery cabinet (if applicable). The load is now powered through Maintenance Bypass.

4.2.5 Transfer from Maintenance Bypass Mode to AC Line Mode or ECO Mode

The UPS will return to Online Mode or ECO Mode (if enabled) upon completion of the following procedure.

1. Confirm the battery is connected. Turn ON any external battery cabinet breakers (if applicable).
2. Turn ON the Bypass breaker.
3. Turn ON the Main Input breaker.
4. Turn ON the Output breaker.
5. The UPS will transfer to Bypass Mode shortly after initialization. Confirm the unit has transferred to Maintenance Bypass mode and the Bypass LED is illuminated before proceeding.
6. Turn OFF the Maintenance Bypass breaker.
7. Reattach the Maintenance Bypass breaker cover plate to the UPS using the supplied screws.
8. The UPS will transfer to Online Mode or ECO Mode within one to two minutes. The inverter will perform a slow startup and build up to nominal voltage. Upon completion, the UPS will transfer to Online Mode or ECO Mode (if enabled).
9. Confirm no active alarms are present.

4. Operation

4.3 Alarms, LEDs and the LCD Display

4.3.1 Overview of Audible Alarms and LED Indicators

UPS Modes	Audible Alarms		Display LEDs			
	Alarm Status	Mutable On/Off	Alarm	Battery	Bypass	Inverter
UPS Initialization	Beeps, 1x	No	Flashes/0.5s	Flashes/0.5s	Flashes/0.5s	Flashes/0.5s
UPS Online Mode (Normal)	No Beeps	No Beeps	Off	Off	Off	On
UPS Battery Mode	Beeps/2s	Yes	Off	Off	On	Off
UPS Battery Test Mode	No Beeps	No Beeps	Off	Off	On	Off
UPS ECO Mode	No Beeps	No Beeps	Off	On	Off	Off
UPS Standby Mode	No Beeps	No Beeps	Off	Off	Off	Off
UPS Static Bypass Mode	No Beeps	No Beeps	Off	On	Off	Off
UPS Maintenance Bypass Mode	No Beeps	No Beeps	Off	On	Off	Off
UPS Frequency Converter Mode	No Beeps	No Beeps	Off	Off	Off	On
UPS Load Overload	Beeps/1s	Yes	Off	Off	Off	Flashes/2s
UPS Warnings	Beeps/2s or Beeps/1s	Yes	Flashes/2s	Flashes/2s	Off	On
UPS Faults	Beeps/2s or Beeps/1s	Yes	On	On	Off	Off

4.3.2 LCD Control Panel Introduction

The built-in LCD display is feature-rich and intuitive to use. The following covers the main features accessible through the display.

Note: Most settings cannot be changed when the UPS is in inverter mode.

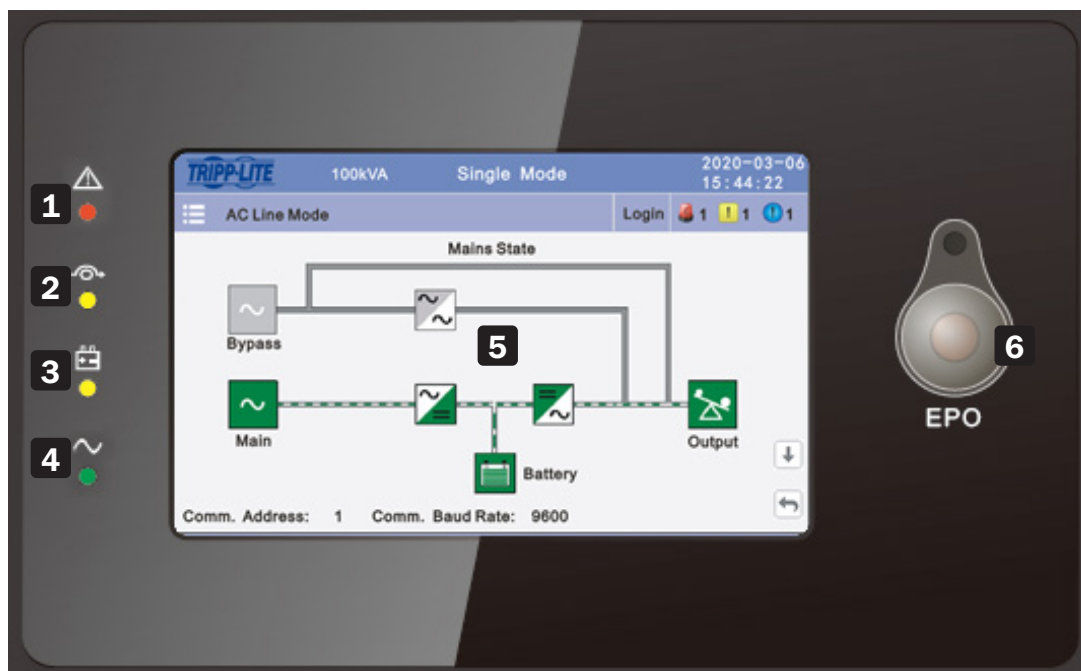


Figure 4-6: Overview of the operating panel of the UPS

- 1** Alarm LED
- 2** Bypass LED
- 3** Battery LED
- 4** Inverter LED
- 5** Touchscreen LCD Screen, 5 in. (127 mm)
- 6** EPO Button (button must be pressed for at least 3 seconds to activate EPO)

4. Operation

4.3.3 Main Page: Default Display

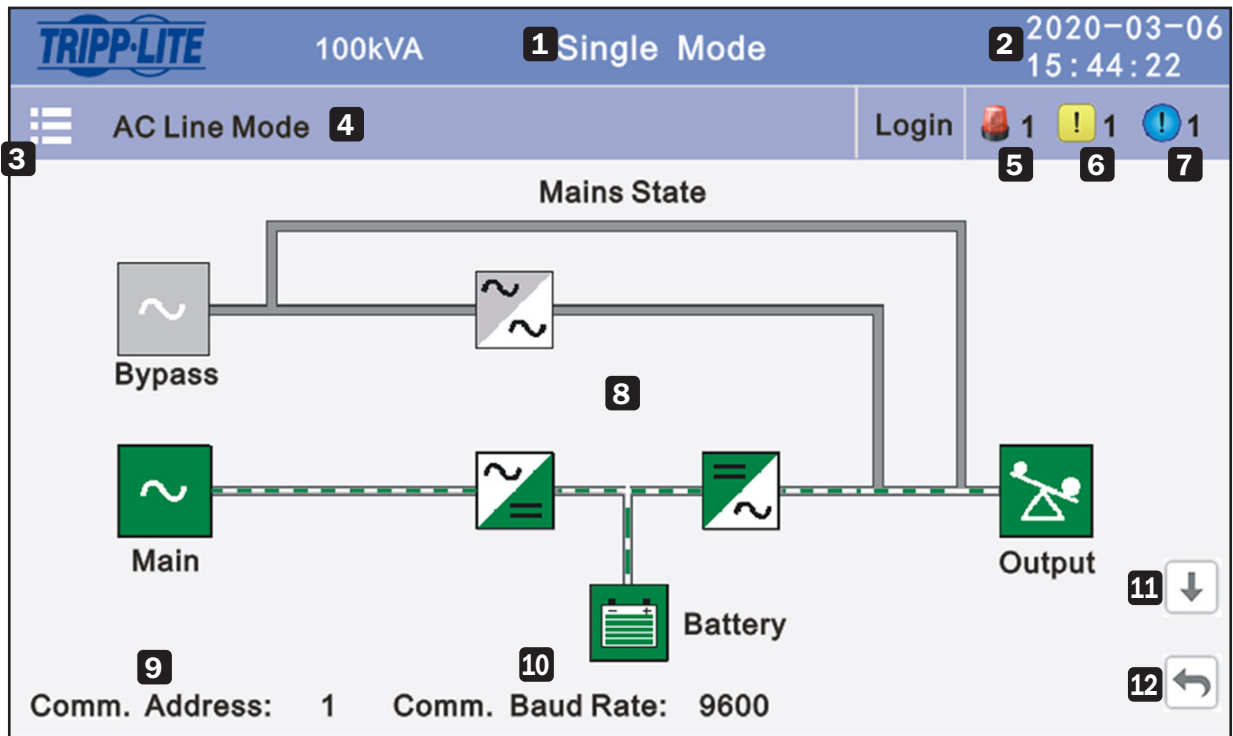


Figure 4-7A: LCD Main Page

- 1** Single Mode = Single UPS (not connected in parallel)
- 2** Date/Time
- 3** Menu
- 4** Operation Status
- 5** Fault
- 6** Alarm
- 7** Event
- 8** Data page
- 9** Communications Address
- 10** Communications Baud Rate
- 11** Page Down - Press to access LCD Main Page 2 (Figure 4-7B)
- 12** Back

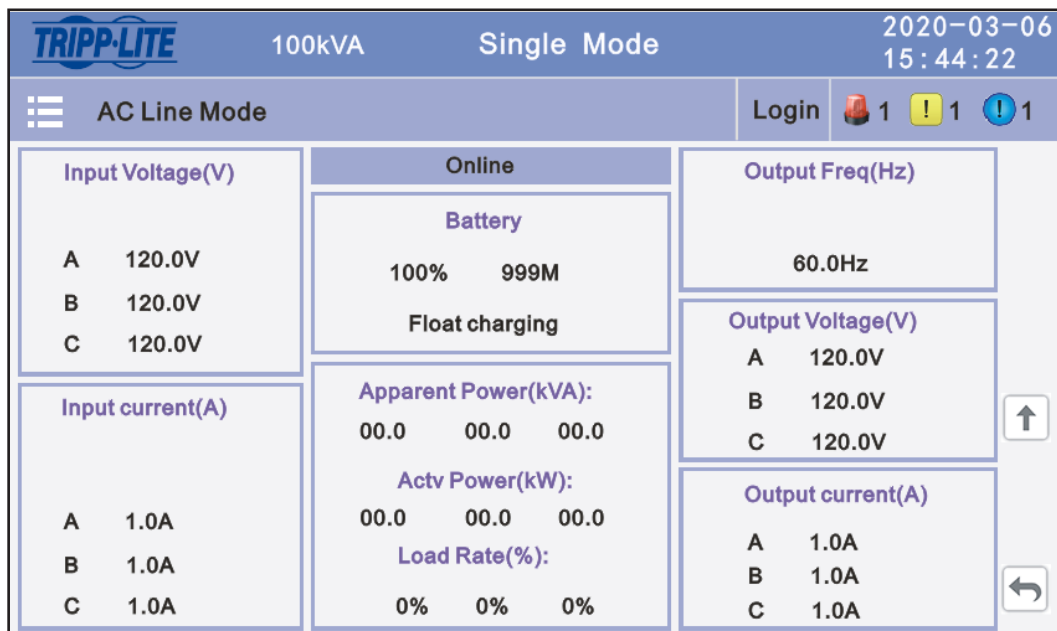


Figure 4-7B: LCD Main Page 2. (Press the Page Up icon to return to the Main Page shown in Figure 4-7A.)

4. Operation

4.3.4 Status Screen

Click the **Status** icon to enter the status display window, view the voltage and current of the main, bypass, output and battery (or input through the real-time data block), view the status of the switch and view the status of the dry contact. Click the icon to enter the corresponding data window.

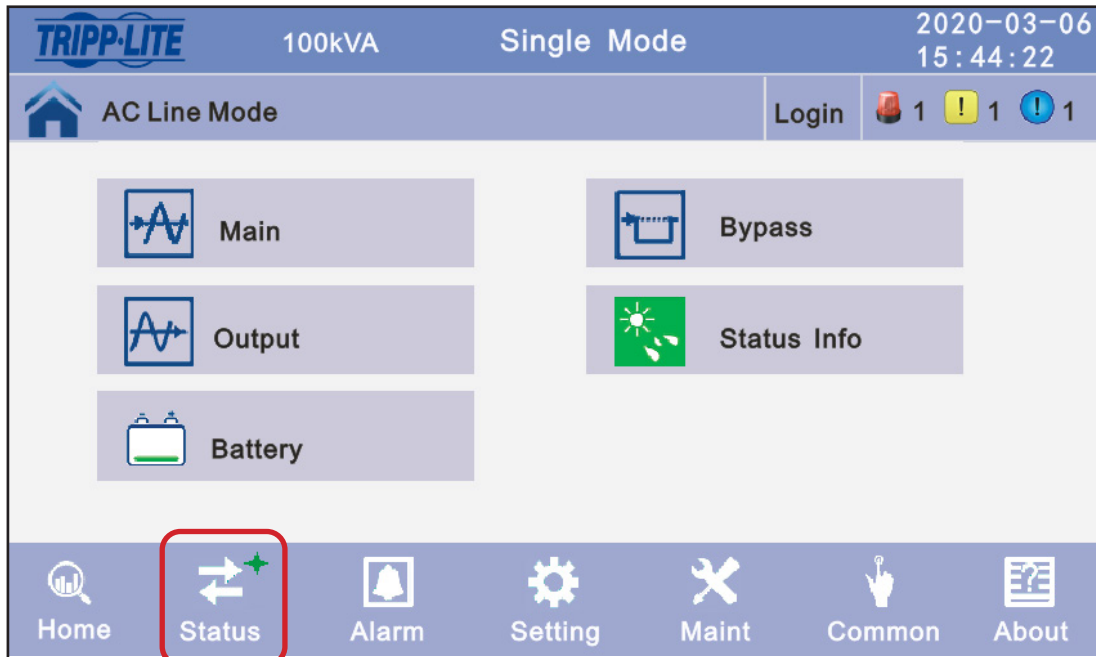


Figure 4-8: Status Screen

1. Click the **Main** icon to enter the main data display window. Click the back icon to return to previous window. Click the homepage icon to jump to the main page.

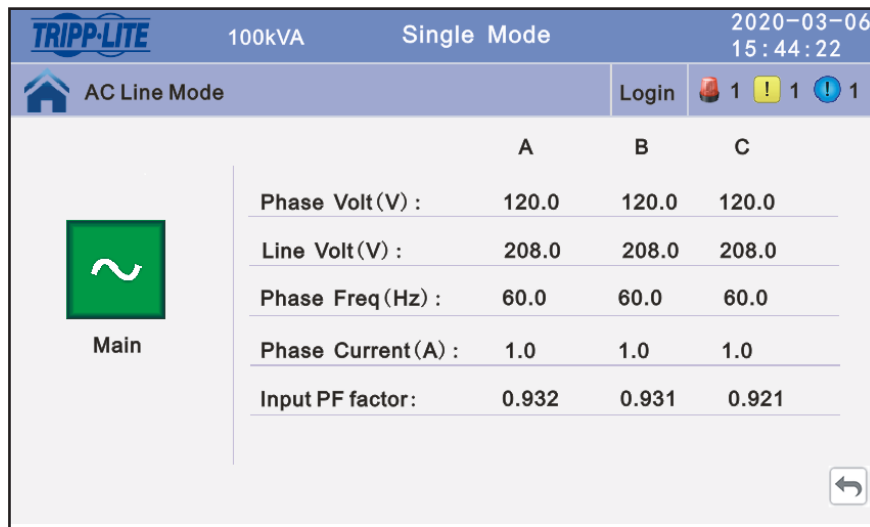


Figure 4-9: Main Data Display Window

4. Operation

2. Click the **Bypass** icon to enter the bypass data display window. Click the **Back** icon to return to the previous window. Click the **Home Page** icon to jump to the main page.

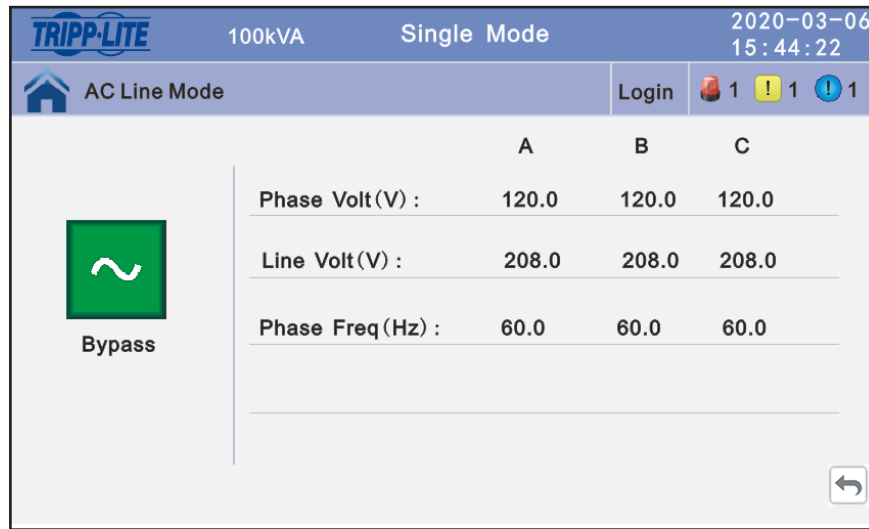


Figure 4-10: Bypass Data Display Window

3. Click the **Output** icon to enter the output data display window. Click the **Back** icon to return to the previous window. Click the **Home Page** icon to jump to the main page.

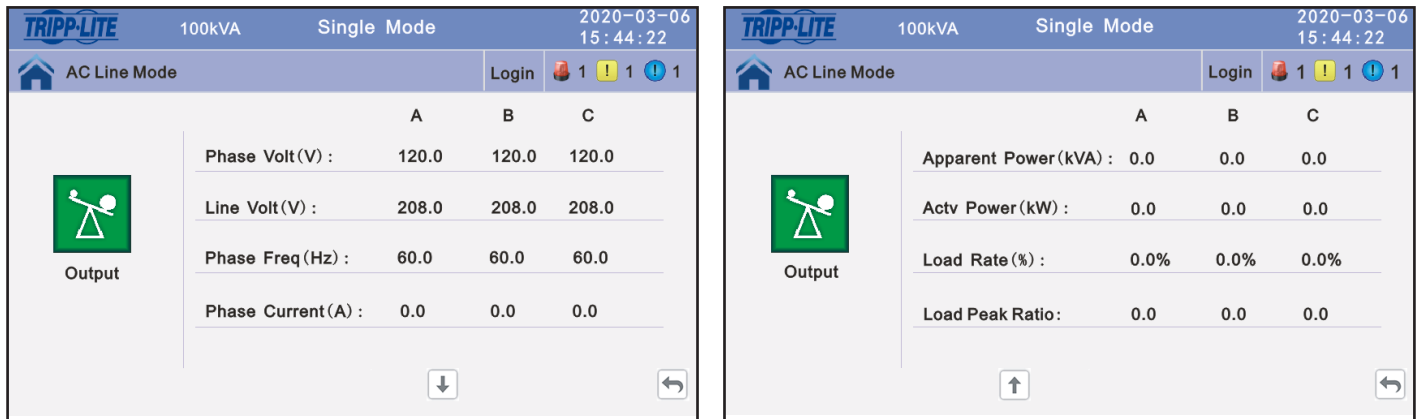


Figure 4-11: Output Data Display Window

4. Operation

4. Click the **Status Info** icon to enter the status display window. Click the **Back** icon to return to the previous window. Click the **Home Page** icon to jump to the main page.

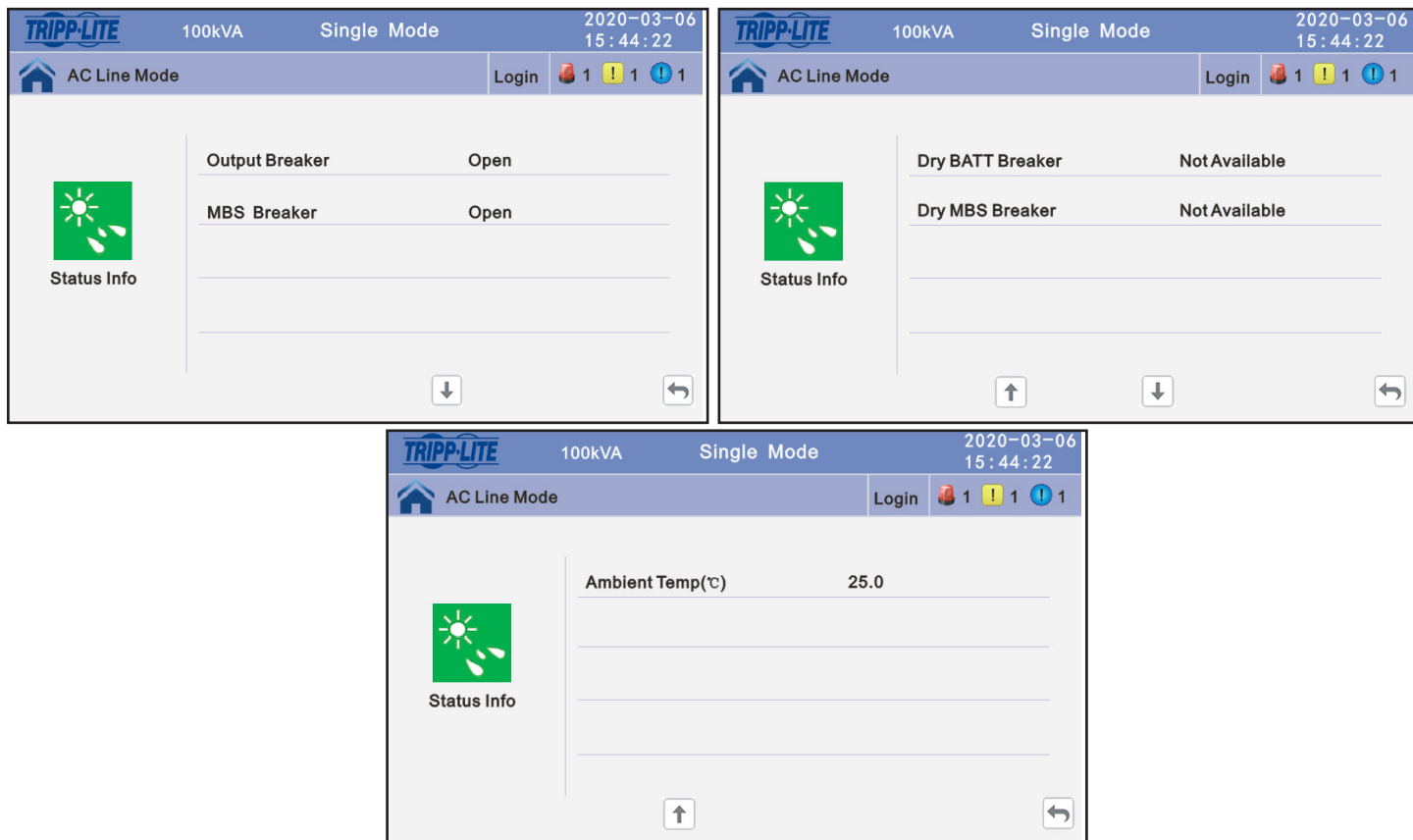


Figure 4-12: Status Display Window

5. Click the **Battery** icon to enter the battery data display window. Click the **Back** icon to return to the previous window. Click the **Home Page** icon to jump to the main page.

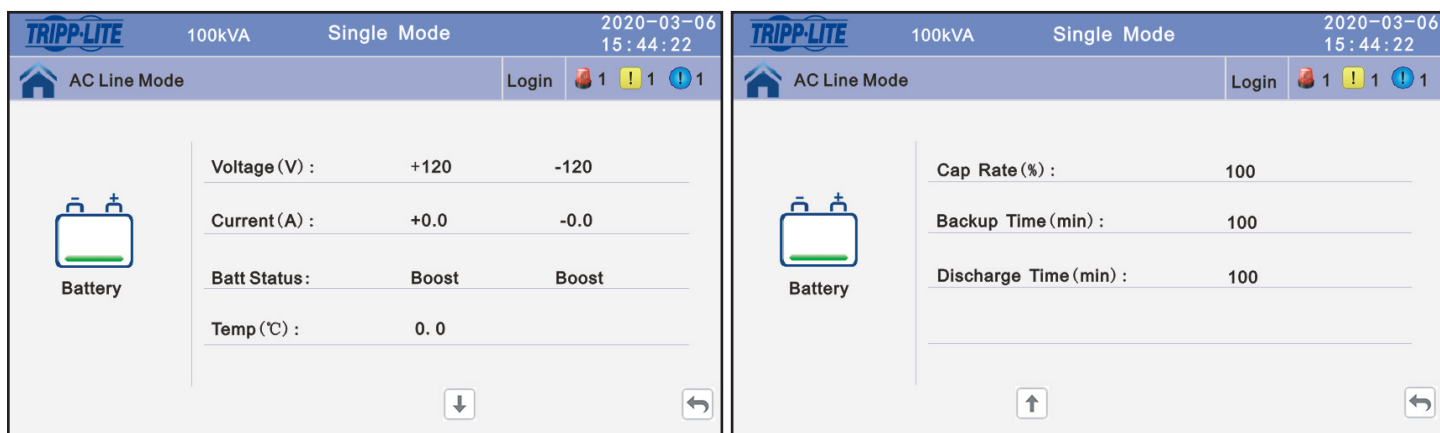


Figure 4-13: Battery Data Display Window

4. Operation

4.3.5 Alarm Interface

Click the **Alarm** icon to enter the alarm interface, view UPS alarms and alarm history and turn the buzzer on or off.

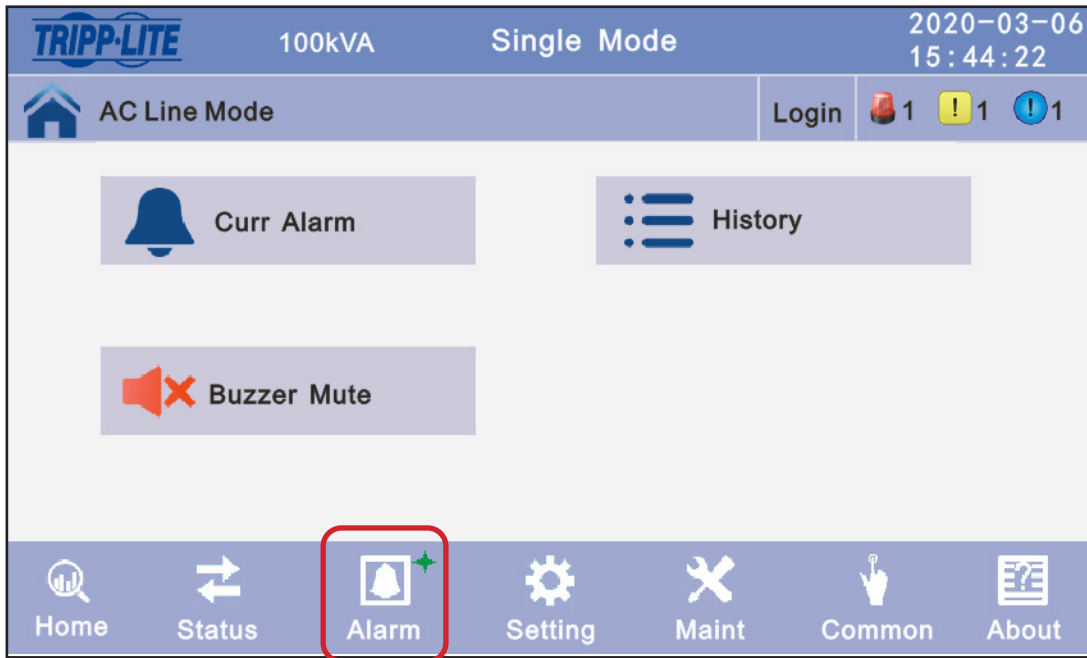


Figure 4-14: Alarm Interface

1. Click the **Current Alarm** icon to enter the current alarm display window. Click the **Back** icon to return to the previous window. Click the **Home Page** icon to jump to the main page.

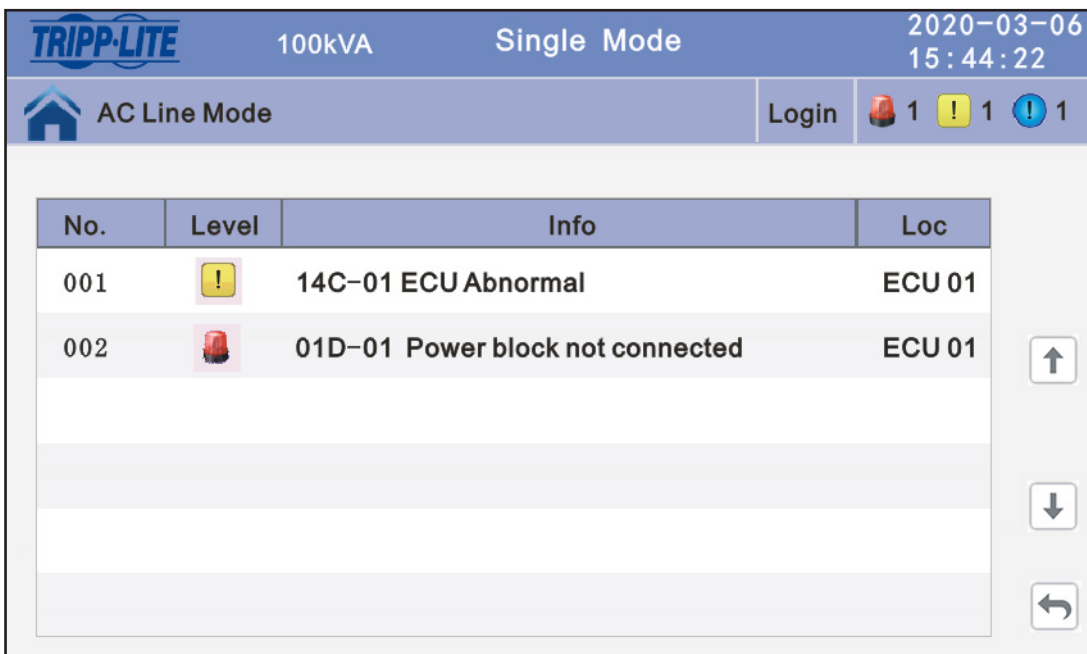


Figure 4-15: Current Alarm Display Window

4. Operation

- Click the **History** icon to enter the history display window. Scroll up and down the page to view all recent alarms. Click the **Back** icon to return to the previous window. Click the **Home Page** icon to jump to the main page.

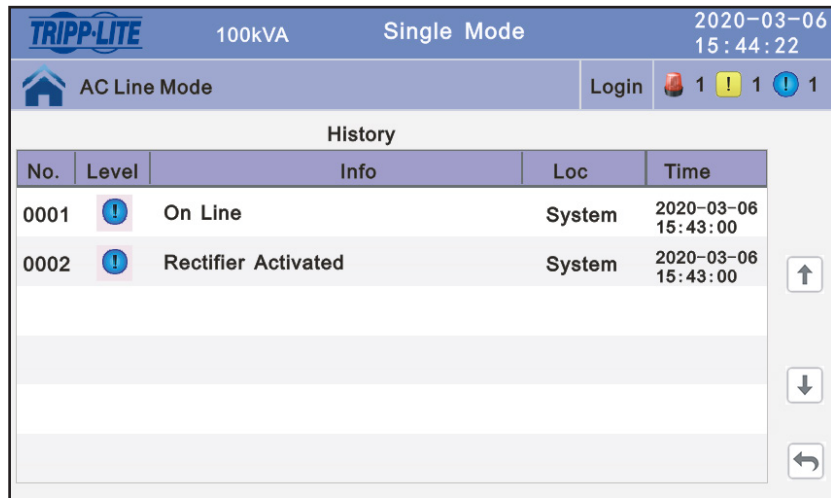


Figure 4-16: History Display Window

- Click the **Buzzer Mute** icon to silence the buzzer. The red icon will turn green. To turn the buzzer on, click the **Buzzer Open** icon. The green icon will turn red.

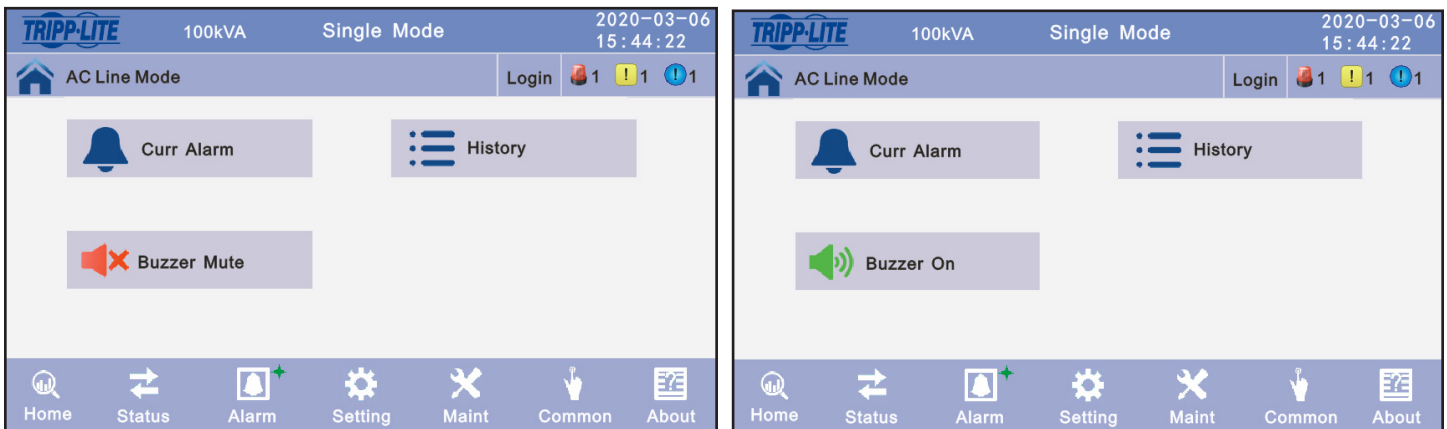


Figure 4-17: Buzzer Mute/Buzzer Enabled

4. Operation

4.3.6 Setting Screen

There are two levels: Basic Setting for users and Advanced Setting for administrators/managers.

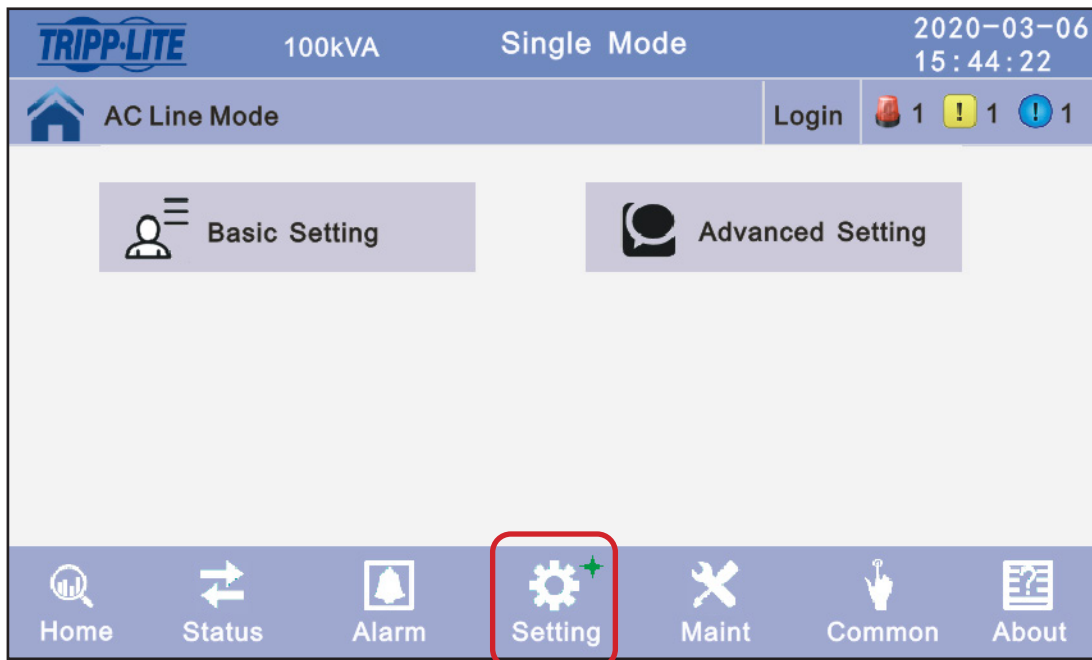


Figure 4-18: Setting Screen

4.3.6.1 Basic Setting Screen

Click the **Basic Setting** icon and enter the password. The default user password is *111111*.

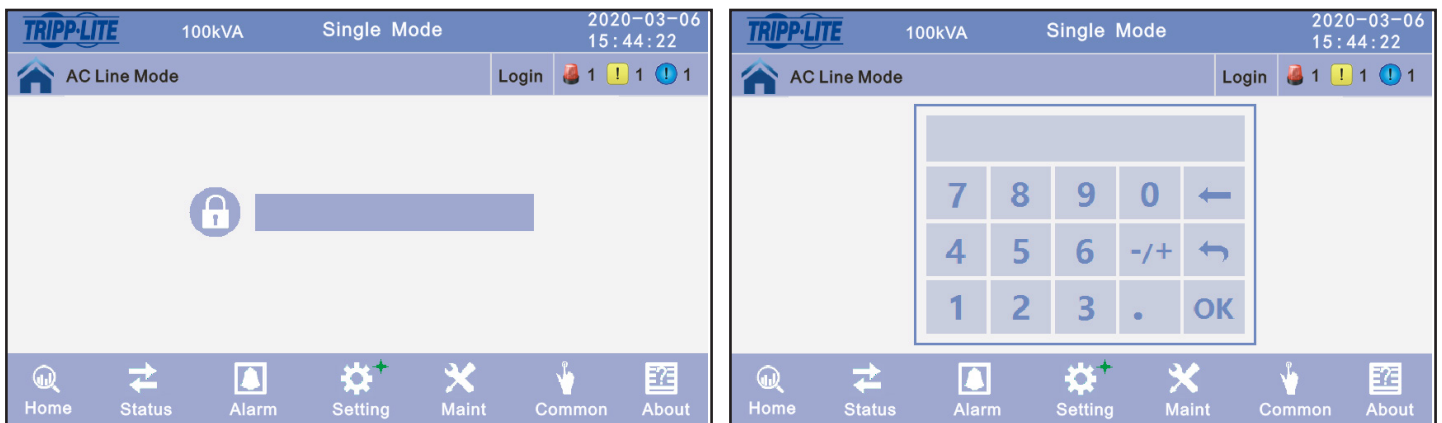


Figure 4-19: Enter Password for Basic Setting Access

4. Operation

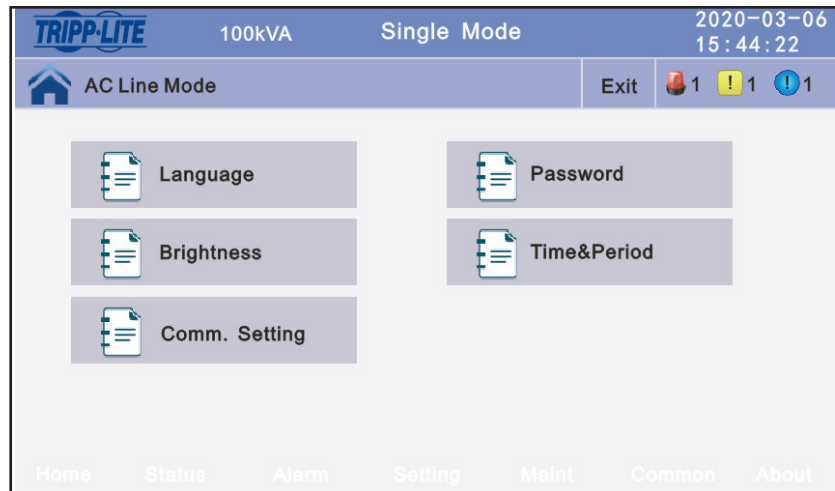


Figure 4-20: Basic Setting Interface

1. Click the **Language** icon to enter the language settings interface. Click **Save Config** to save the setting. Click the **Back** icon to return to the previous window. Click the **Home Page** icon to jump to the main page.

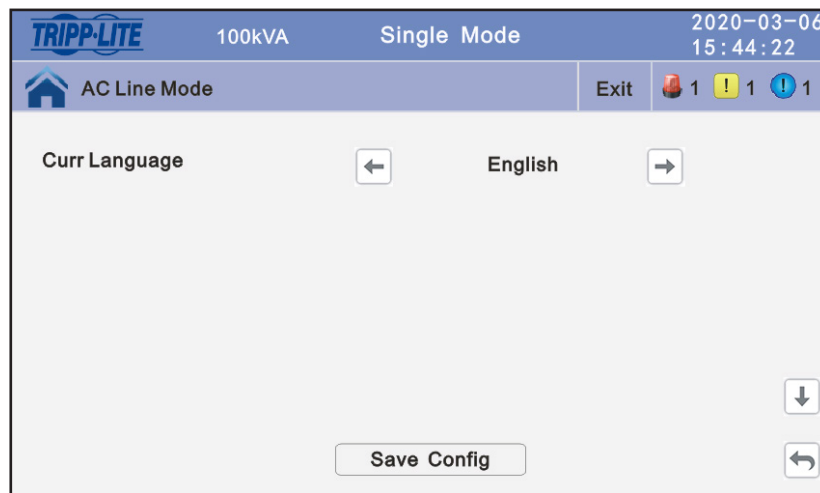


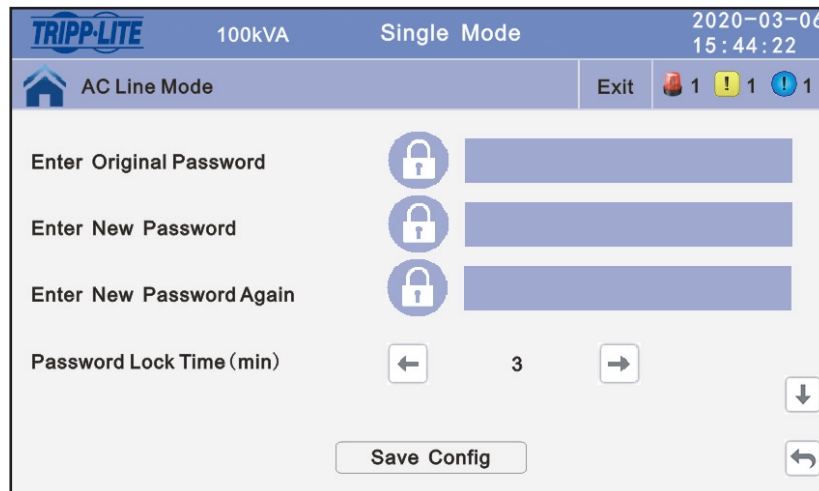
Figure 4-21: Language Settings

4. Operation

2. Click the **Password** icon to enter the password settings interface. Enter the old password, enter the new password and reenter the new password. The password format is six numbers. Click **Save Config** to confirm the change.

The Password Lock Time setting determines how long (in minutes) the LCD can go untouched before the user must log in again. Click the left or right arrow to change the value.

Click the **Back** icon to return to the previous window. Click the **Home Page** icon to jump to the main page.



The screenshot shows the 'Update Password Interface' on a TRIPP-LITE 100kVA Single Mode device. The interface is titled 'AC Line Mode' and includes an 'Exit' button and three status indicators (red, yellow, blue) each with a '1'. The main content area contains four input fields: 'Enter Original Password', 'Enter New Password', and 'Enter New Password Again', each with a lock icon and a text input field. Below these is the 'Password Lock Time (min)' setting, currently set to '3', with left and right arrow buttons for adjustment. At the bottom, there is a 'Save Config' button and a back arrow icon.

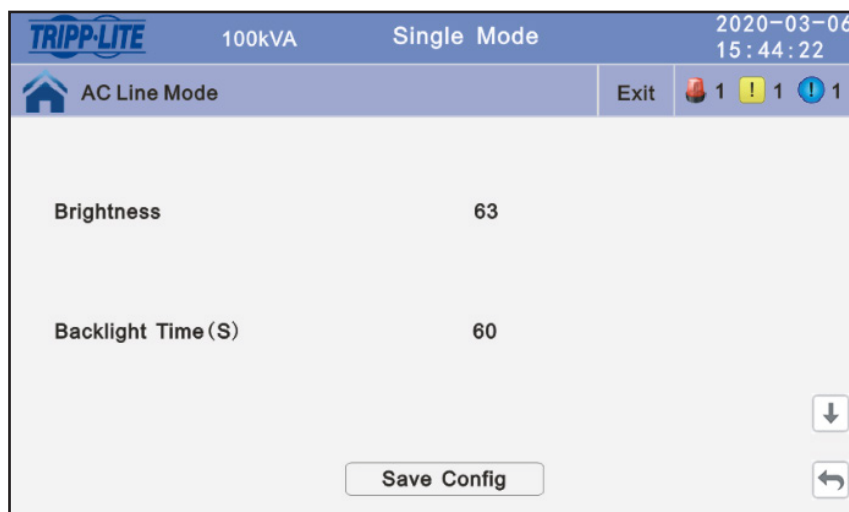
Figure 4-22: Update Password Interface

3. Click the **Brightness** icon to adjust the screen brightness and backlight time.

Brightness: Click on the text to input a new value. The value range is 1 to 63. The default is 63.

Backlight Time: Click on the text to change the LCD backlight display time. The value range is 1 to 255. The default is 60.

Click the **Back** icon to return to the previous window. Click the **Home Page** icon to jump to the main page.



The screenshot shows the 'Brightness and Backlight Time Settings' on the same TRIPP-LITE 100kVA Single Mode device. The interface is titled 'AC Line Mode' and includes an 'Exit' button and three status indicators (red, yellow, blue) each with a '1'. The main content area displays two settings: 'Brightness' with a value of '63' and 'Backlight Time (S)' with a value of '60'. At the bottom, there is a 'Save Config' button and a back arrow icon.

Figure 4-23: Brightness and Backlight Time Settings

4. Operation

4. Click the **Time & Period** icon to change the current date and current time. Click on the text to input a new value. Click **Save Config** to confirm the change.

Click the **Back** icon to return to the previous window. Click the **Home Page** icon to jump to the main page.

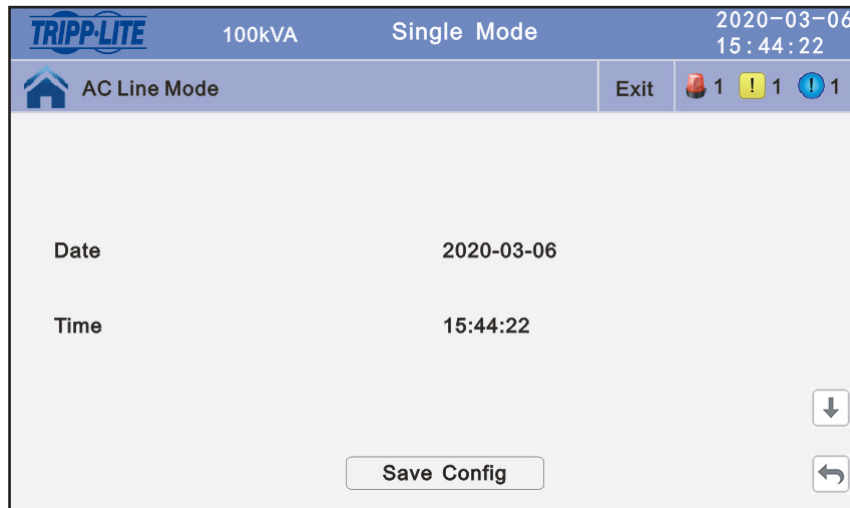


Figure 4-24: Date and Time Settings

5. Click the **Comm. Setting** icon to update the UPS system's communication settings. Click on the text to select or input a new value. Click **Save Config** to confirm the change.

Comm. Address: UPS communication ID. The address range is 1-15. The default value is 1.

Comm. Baud Rate: Available baud rate settings are 2400, 4800, 9600, 14400 and 19200. The default value is 9600.

Click the **Back** icon to return to the previous window. Click the **Home Page** icon to jump to the main page.



Figure 4-25: Communication Settings

4. Operation

4.3.6.2 Advanced Setting Screen

Click the **Advanced Setting** icon and enter the password. The user password is 191210.

Note: Advanced operations are intended to be performed only by certified Tripp Lite technicians.

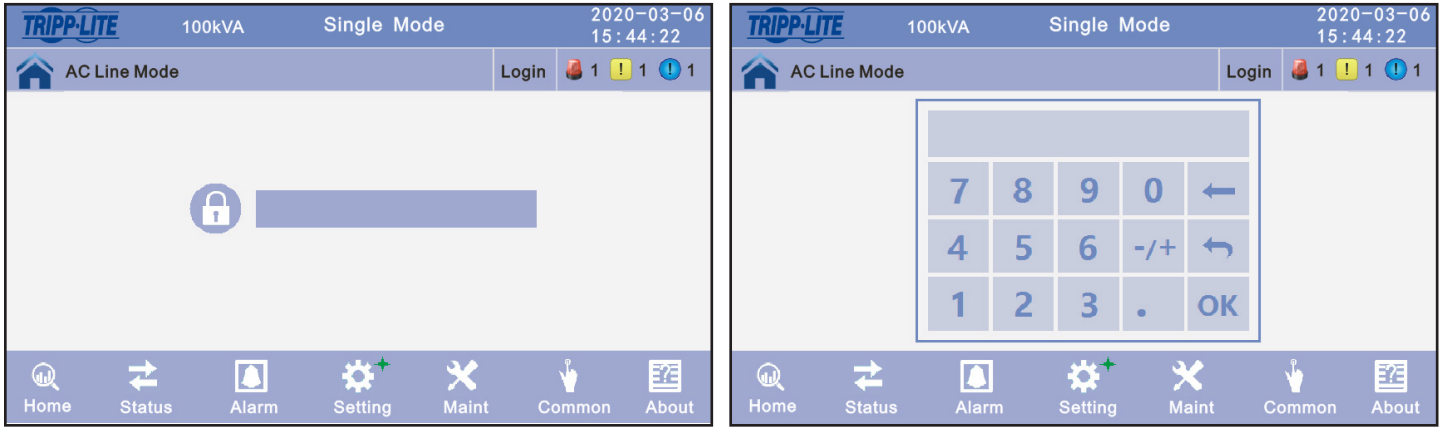


Figure 4-26: Enter Password for Advanced Settings Access

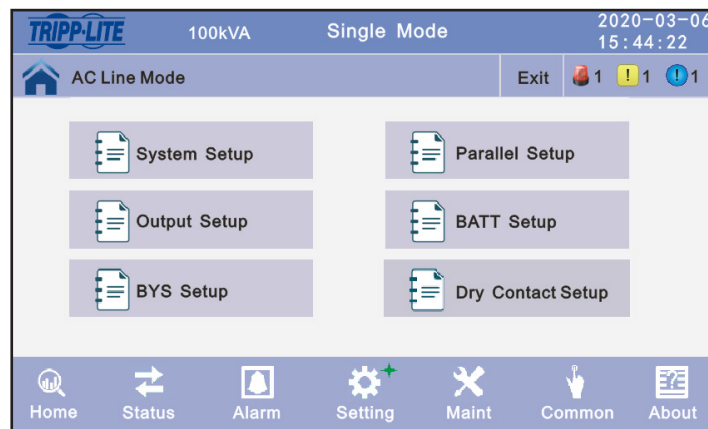


Figure 4-27: Advanced Settings Interface

4. Operation

4.3.6.2.1 System Setup

Click the **System Setup** icon. Select the configuration to be changed/saved. Click the **Back** icon to return to the previous window, or click the **Home Page** icon to jump to the main page.

Advanced System Setup Configurations

Working Mode: Select the work mode of UPS, work mode: Single Mode, Parallel Mode, ECO Mode, ECO+Parallel Machine Mode. Default value: ECO Mode.

Auto Turn-On: Select the UPS start logic. Enable: The UPS starts inverter output automatically. Disable: No output.

Note: If you want the UPS to auto restart after the batteries reach a low voltage cut-off and the UPS turns off, Auto Turn-on **MUST** be set to Enable.

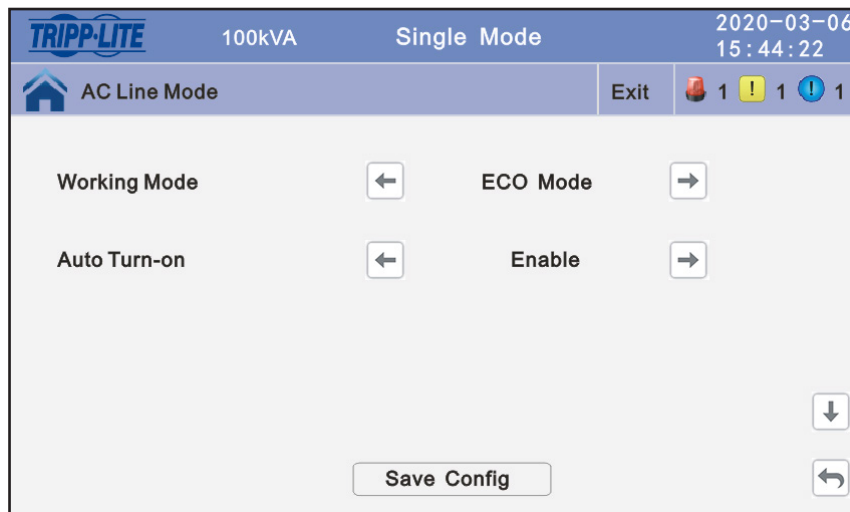


Figure 4-28A: Advanced System Setup

Freq Conv Mode: Frequency Conversion Mode. Enable: output frequency is 50 Hz or 60 Hz, input frequency is 60 Hz or 50 Hz, UPS no alarm no battery and bypass abnormal. Default: Disable.

LBS Mode: Setting values: LBS disable, LBS master, LBS slave. Default: LBS disable.

Float Temp. Compen: Temperature sensor compensation switch. To connect a battery temperature sensor, change the value to enable.

Temp Sensor Select: Temperature sensor type selection. There are two choices: NTC and RS485. Use NTC for single and short distances. Use RS485 for multiple and far distances.

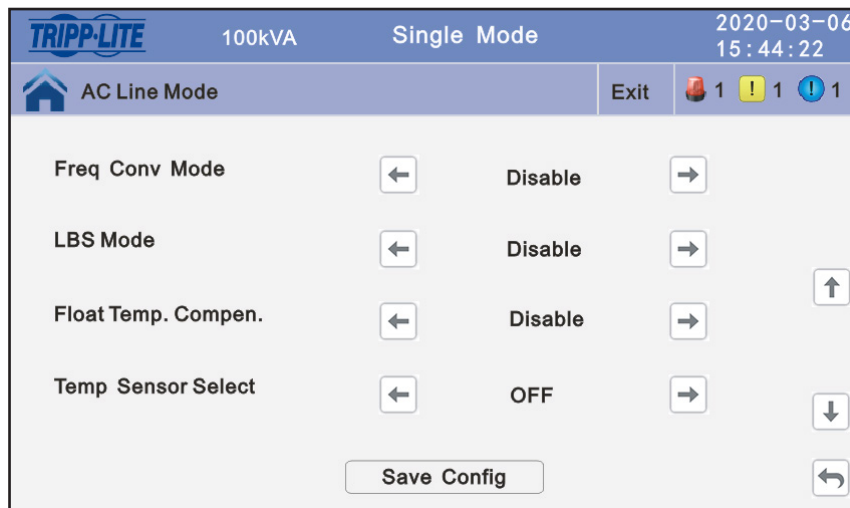


Figure 4-28B: Advanced System Setup

4. Operation

Inter Power Walk in(s): When the UPS systems are in parallel mode, this setting enables the UPS to control the interval that each UPS transfers from battery mode to normal mode, reducing the impact on the generator or power grid. The value range is 1 to 200. The default value is 10.

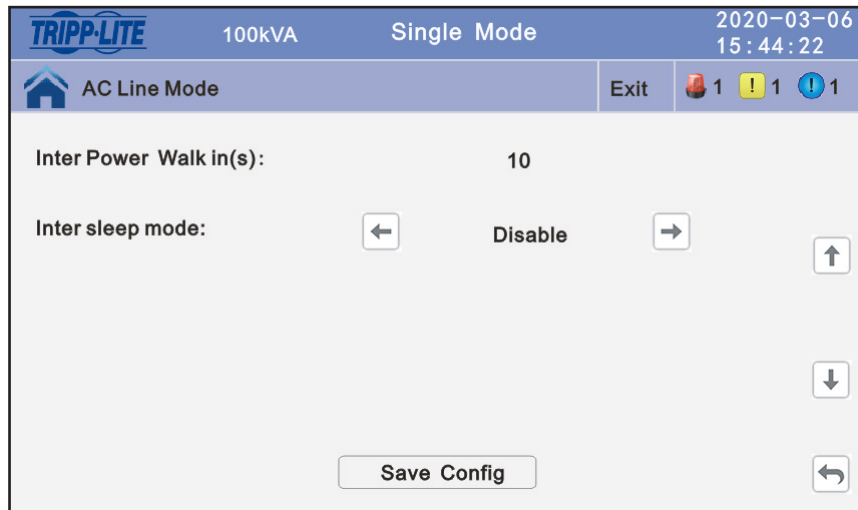


Figure 4-28C: Advanced System Setup

4.3.6.2.2 Parallel Settings

Parallel ID: The Parallel ID must be modified after setting the work mode to parallel mode. The value range is 1 to 6. The default value is 1.

Parallel for Capacity Units: Parallel cabinet number must be modified for the total number of parallel cabinets after setting the work mode to parallel mode. The value range is 2 to 6. The default value is 2.

Parallel Redundancy Units: Parallel redundancy cabinet number can be modified after setting the work mode to parallel mode. The value range is 0 to 5. The default value is 0.

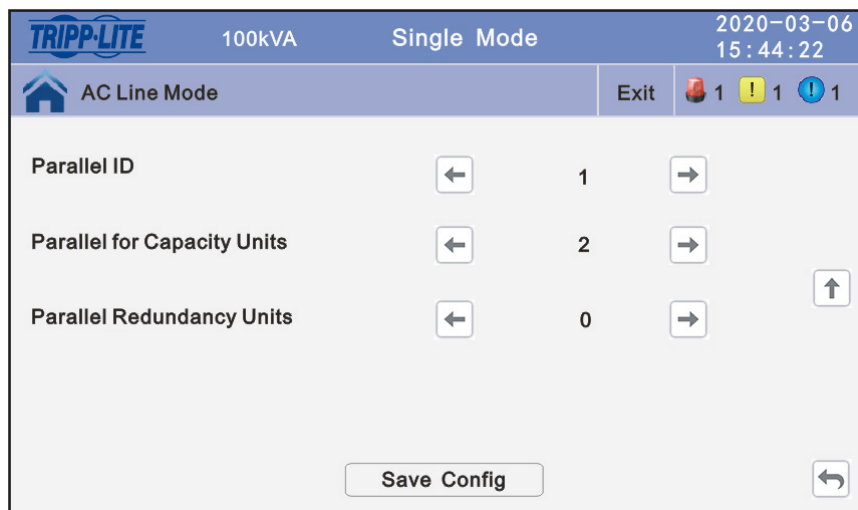


Figure 4-29: Parallel Settings

4. Operation

4.3.6.2.3 Output Settings

Output Freq (Hz): Output frequency. The value can be 50 Hz or 60 Hz.

Output Volt Level (V): Output voltage level. The value can be 120 or 127.

Inverter Volt Adjust (%): Inverter voltage regulated. The value can be -5% - 0 - +5%, in increments of 0.5%. The default value is 0.



The screenshot shows the 'Output Settings' screen of a Tripp-Lite UPS. The interface is titled 'TRIPP-LITE 100kVA Single Mode' with a date and time of '2020-03-06 15:44:22'. The mode is 'AC Line Mode'. There are three status indicators: a red light with '1', a yellow light with '1', and a blue light with '1'. The settings are as follows:

Setting	Value
Output Freq (Hz)	60.0
Output Volt Level (V)	120.0
Inverter Volt Adjust (%)	0.0

At the bottom, there is a 'Save Config' button and a back arrow.

Figure 4-30: Output Settings

4.3.6.2.4 Battery Settings

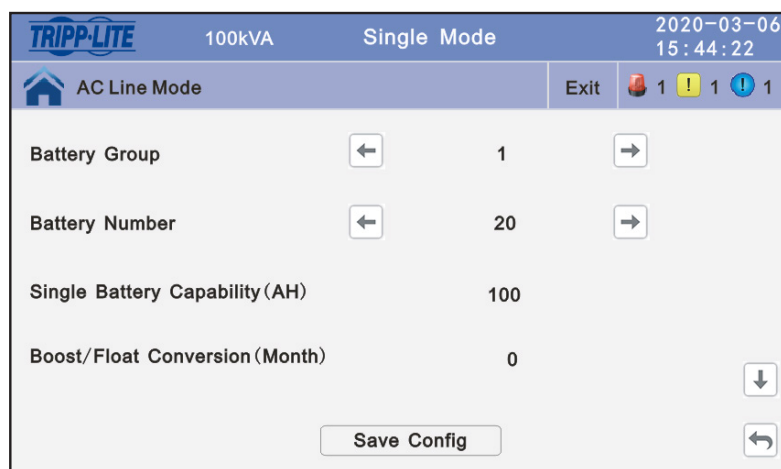
Note: The UPS configuration for the battery cabinet depends on which S3M UPS model and which battery cabinet model are being connected together. Refer to the S3M-Series battery cabinet manual for specific UPS configuration instructions.

Battery Group: The Battery Group is quantity 1 for every set of 20 batteries that are within the UPS and/or the battery cabinet connected to the UPS. For example, UPS model S3M100K has no internal batteries. However, to connect one BP240V100L (40 internal batteries) battery cabinet to the S3M100K UPS, you must configure the S3M100K to Battery Group 2, and if you connect a second BP240V100L battery cabinet to the S3M100K UPS, update the Battery Group to 4. The value range is 1 to 8. The default value is 1.

Battery Number: The default value is 20. The battery number must remain at 20 for all S3M10-100K UPS models whether used with or without Tripp Lite external battery cabinets designed for the S3M-Series UPS line.

Single Battery (Ah) Capability: Modify the value to the individual Ah capacity for one battery. The value range is 7 to 2000.

Boost/Float Conversion (Month): Set up the boost charge and float charge conversion time. The value range is 0 to 24. The default value is 0.



The screenshot shows the 'Battery Settings' screen of a Tripp-Lite UPS. The interface is titled 'TRIPP-LITE 100kVA Single Mode' with a date and time of '2020-03-06 15:44:22'. The mode is 'AC Line Mode'. There are three status indicators: a red light with '1', a yellow light with '1', and a blue light with '1'. The settings are as follows:

Setting	Value
Battery Group	1
Battery Number	20
Single Battery Capability (AH)	100
Boost/Float Conversion (Month)	0

At the bottom, there is a 'Save Config' button, a down arrow, and a back arrow.

Figure 4-31A: Battery Settings

4. Operation

Chg. cur. limiting coef. (C): The charging current limit is a multiple of the battery capacity. The value range is 0.05 to 0.25. The default value is 0.15. Consult the specific Tripp Lite battery cabinet owner's manual for the recommended Coefficient (Coef.) based on the S3M UPS model and Tripp Lite battery cabinet model.

Cell float voltage (V/Cell): The float voltage value range is 2.20 to 2.29 V/cell. The default value is 2.27 V/cell.

Cell boost voltage (V/Cell): The battery equalized voltage value range is 2.30 to 2.40 V/cell. The default value is 2.35 V/cell.

Aver Charging Duration (min): Boost charge time limit. The value range is 1 to 999 minutes. The default value is 240. Consult the specific Tripp Lite battery cabinet owner's manual for the recommended Aver Charging Duration (min) based on the S3M UPS model and Tripp Lite battery cabinet model.

Parameter	Value
Chg. cur. limiting coef. (C)	0.25
Cell float voltage (V/Cell)	2.27
Cell boost voltage (V/Cell)	2.35
Aver Charging Duration (min)	240

Figure 4-31B: Battery Settings

EOD Battery Volt (V/Cell): End of discharge voltage. The value range is 1.60 to 1.90. The default value is 1.67.

Float Temp Compen Coef. (V/Cell/°C): Modify the voltage of compensation after enabling the switch. The value range is 0.001 to 0.007/cell. The default value is 0.003.

Boost Charge Setting: Boost charge setting is disable or enable. The default is enable.

No Battery Warning: When set to Disable, the buzzer will not sound. Set to Enable for audible battery warnings. The default is enable.

Parameter	Value
EOD Battery Volt (V/Cell)	1.67
Float Temp Compen Coef. (V/Cell/°C)	0.003
Boost Charge Setting	Enable
No Battery Warning	Enable

Figure 4-31C: Battery Settings

4. Operation

4.3.6.2.5 Bypass Settings

Bypass Volt Prot Lower Limit (%): When the difference between the bypass voltage and the rated voltage exceeds the lower threshold for the bypass voltage, the system determines that the bypass voltage is abnormal and that bypass is unavailable. The value can be -10%, -15%, -20%, -30% or -40%. The default value is -40%.

Bypass Volt Prot Limit (%): When the difference between the bypass voltage and the rated voltage exceeds the upper threshold for the bypass voltage, the system determines that the bypass voltage is not normal and that bypass is unavailable.

Notes:

- When the voltage level is 120V, the value range is 10%, 15%, 20%, and 40% (default).
- When the voltage level is 127 V, the value range is 10%, 15%, and 20% (default).

Bypass Freq Tracking Range (%): When the difference between the bypass input frequency and the rated frequency is greater than this value, the system determines that the bypass frequency is not normal and that the bypass is unavailable. The value range is 1%, 2%, 4%, 5% (default), 10%.

Bypass Rate Tracking Rate (Hz/s): Inverter frequency tracking to bypass frequency rate. The value range is 0.5 to 2. The default value is 1.

Power supply upon BYP SCR over temp: Specifies whether to start bypass mode when over temperature occurs. The default is enable.

Bypass Switches Limit: Cross currents occur during the transfer between bypass mode and normal mode, which impacts the system. This parameter specifies the number of transfers between bypass mode and normal mode within 1 hour to ensure system security. The value range is 3 to 10 and is 10 by default.

EPO transfers To BYP: Specifies whether the system transfers to bypass mode when the EPO button is pressed. The default is disable.

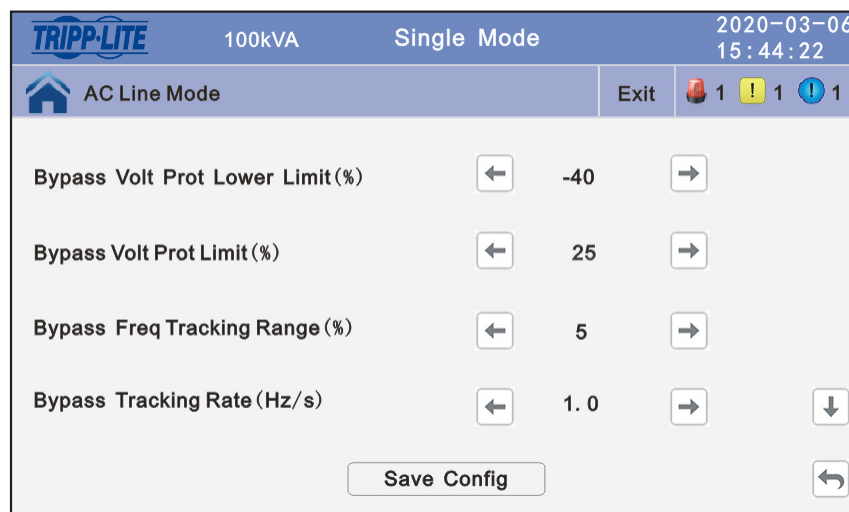


Figure 4-32A: Bypass Settings

4. Operation

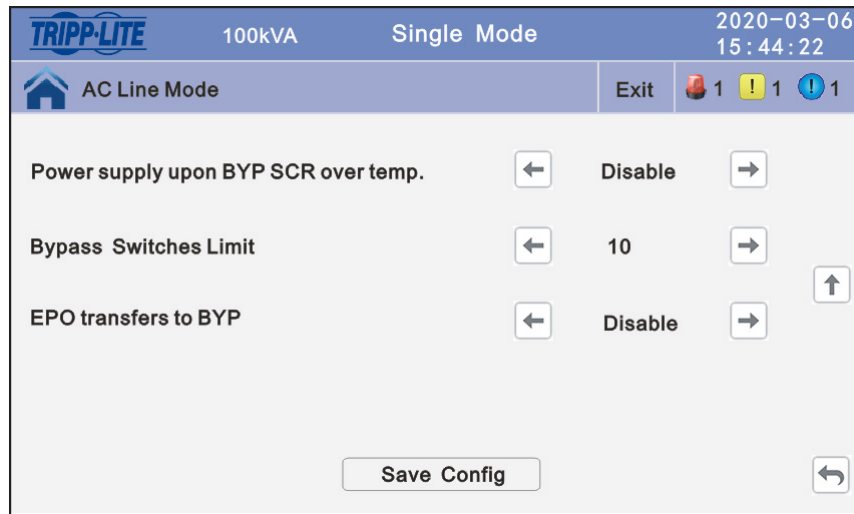


Figure 4-32B: Bypass Settings

4.3.6.2.6 Dry Contact Settings

Battery Abnormal BCB trip (DRV): Enable or disable BCB trip single output. The default is disable.

Bypass Feedback Trip: Enable or disable bypass feedback output. The default is disable.

External Maint. Breaker (MT): Enable or disable external maintenance breaker connection detection. The default is disable.

Battery breaker (BAT): Enable or disable battery breaker connection detection. The default is disable.

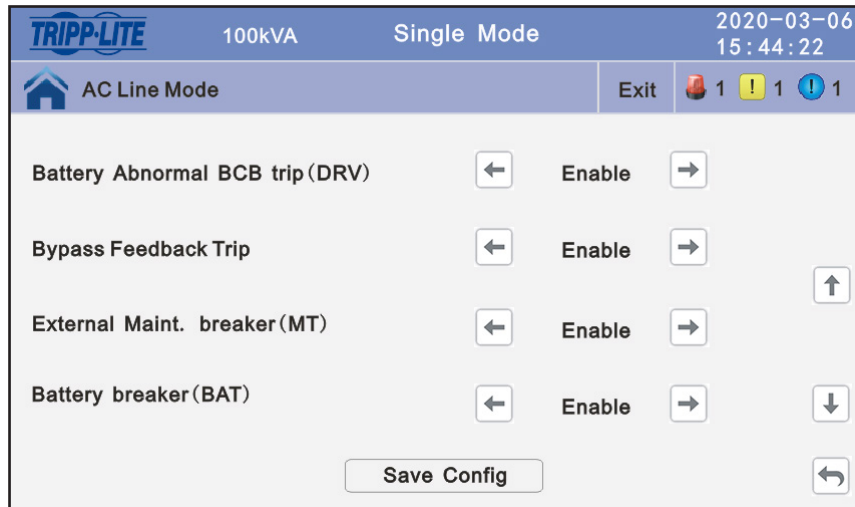


Figure 4-33: Dry Contact Settings

4. Operation

4.3.7 Maint (Maintenance) Screen

Click the **Maint** icon to enter the maintenance interface, where you can perform battery self-check and perform screen corrections.

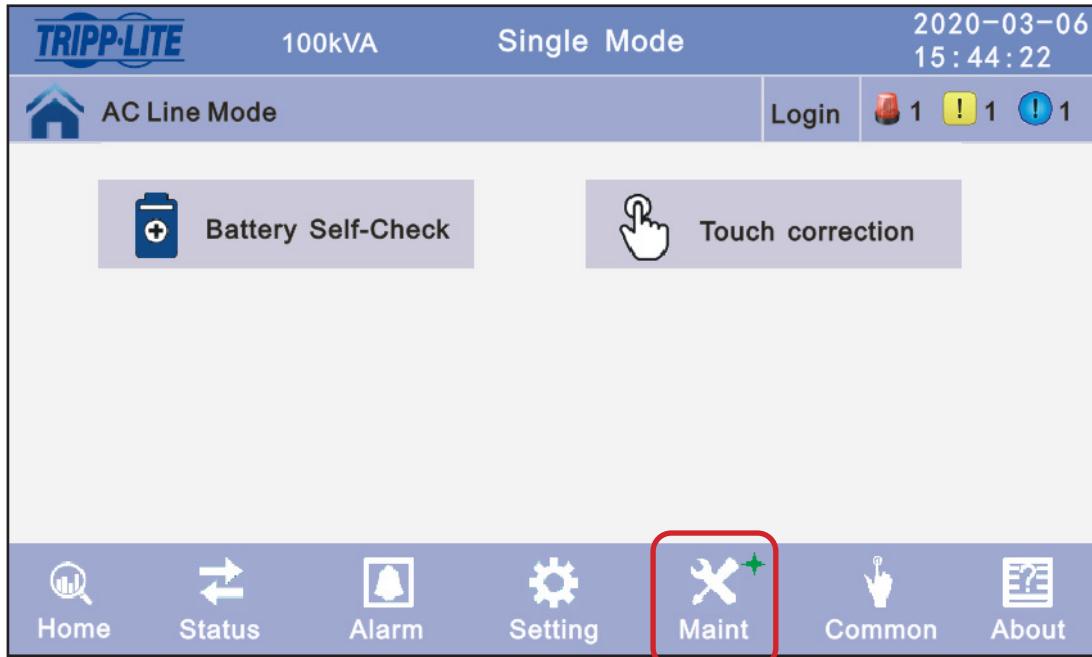


Figure 4-34: Maintenance Screen

Battery Self-Check: Select timing for the battery check by Timing Daily, Timing Weekly or Cycle Mode. The default value is Timing Self-Check Close.

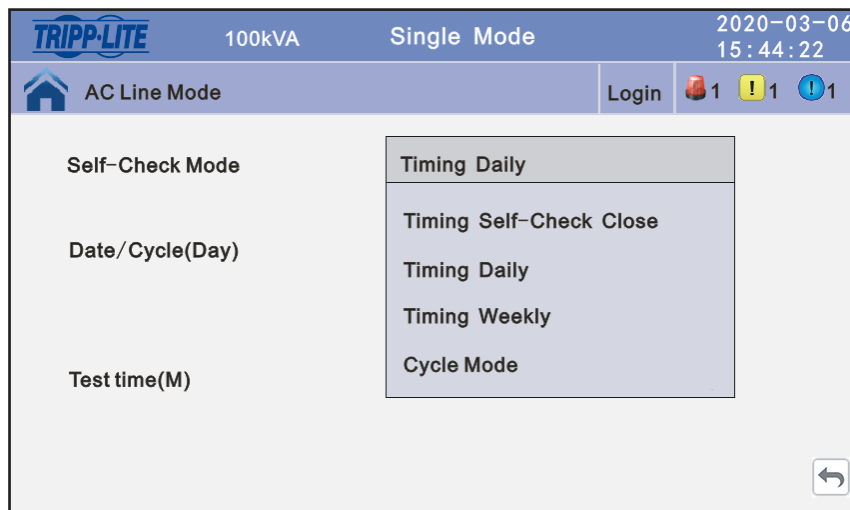


Figure 4-35A: Battery Self-Check

4. Operation

Timing Daily: Modify the check date, timing and check time. The value range is 10s (seconds), 10min (minutes) and end of day (EOD). The default value is 10s.

The screenshot shows the TRIPP-LITE 100kVA Single Mode interface. The top bar displays the date and time as 2020-03-06 15:44:22. The main menu includes 'AC Line Mode' and 'Login' with three status indicators (1 red, 1 yellow, 1 blue). The 'Self-Check Mode' is set to 'Timing Daily'. The 'Date/Cycle(Day)' is configured with '20 Day', '20 Hour', and '20 Min'. The 'Test time(M)' is set to '10s' with left and right arrow buttons. A 'Save Config' button and a refresh icon are at the bottom.

Figure 4-35B: Battery Self-Check

Timing Weekly: Modify the check date, timing and check time. The value range is 10s (seconds), 10min (minutes) and end of discharge (EOD). The default value is 10s.

The screenshot shows the TRIPP-LITE 100kVA Single Mode interface. The top bar displays the date and time as 2020-03-06 15:44:22. The main menu includes 'AC Line Mode' and 'Login' with three status indicators (1 red, 1 yellow, 1 blue). The 'Self-Check Mode' is set to 'Timing Weekly'. The 'Date/Cycle(Day)' is configured with 'Monday' and '20 Hour' and '20 Min'. The 'Test time(M)' is set to '10s' with left and right arrow buttons. A 'Save Config' button and a refresh icon are at the bottom.

Figure 4-35C: Battery Self-Check

4. Operation

4.3.8 Common Screen

Click the **Common** icon to enter the Common interface, including INV ON/OFF, Battery Test and Fault Clear.

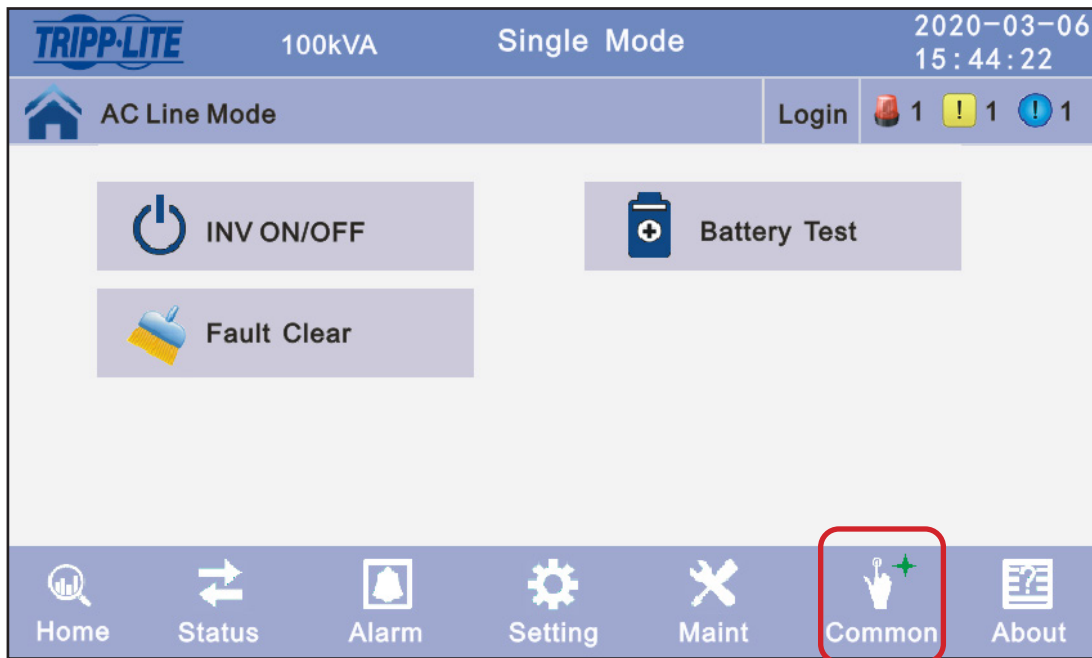


Figure 4-36: Common Screen

INV ON/OFF

Single ON: Inverter ON, location UPS.

Single OFF: Inverter OFF, location UPS.

Parallel ON: Inverter ON, all parallel UPS systems.

Parallel Off: Inverter OFF, all parallel UPS systems.

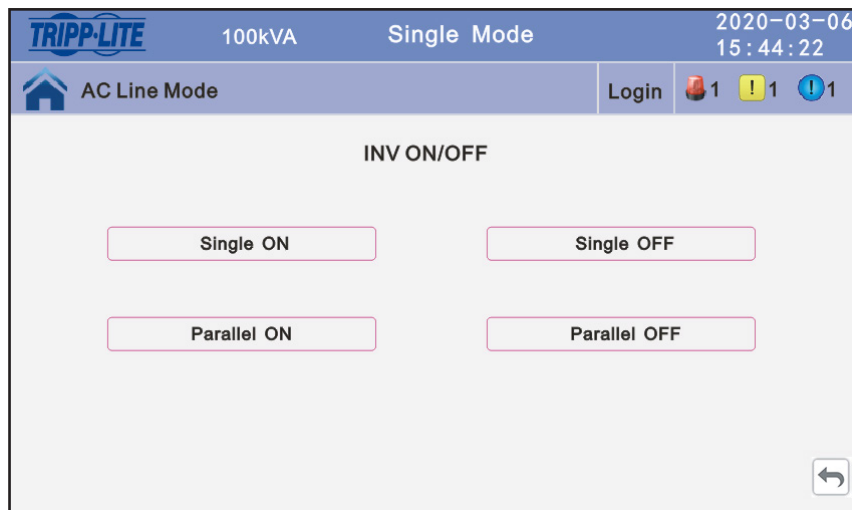


Figure 4-37: Inverter On/Off

4. Operation

Battery Test

10S: Battery test for 10 seconds.

10Min: Battery test for 10 minutes.

EOD: Battery test to end of discharge.

-10%: Battery test down 10% capacity.

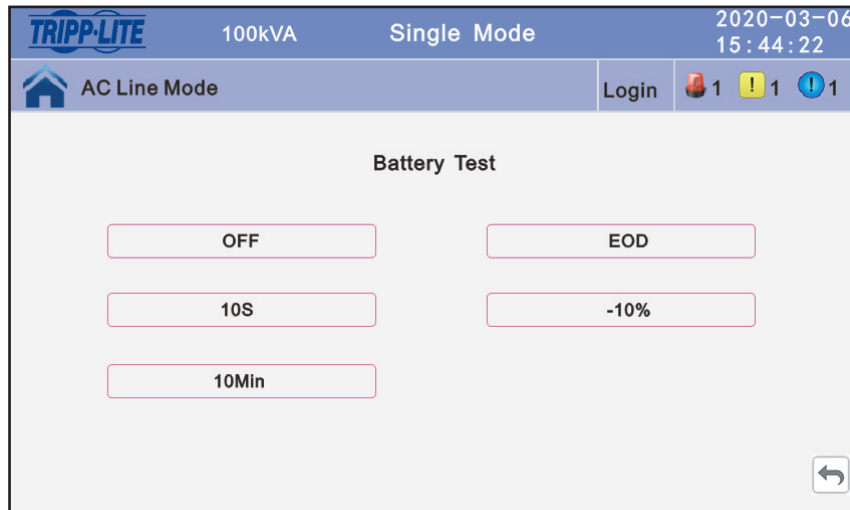


Figure 4-38: Battery Test

Fault clear: Clears the current fault (not applicable to all faults).

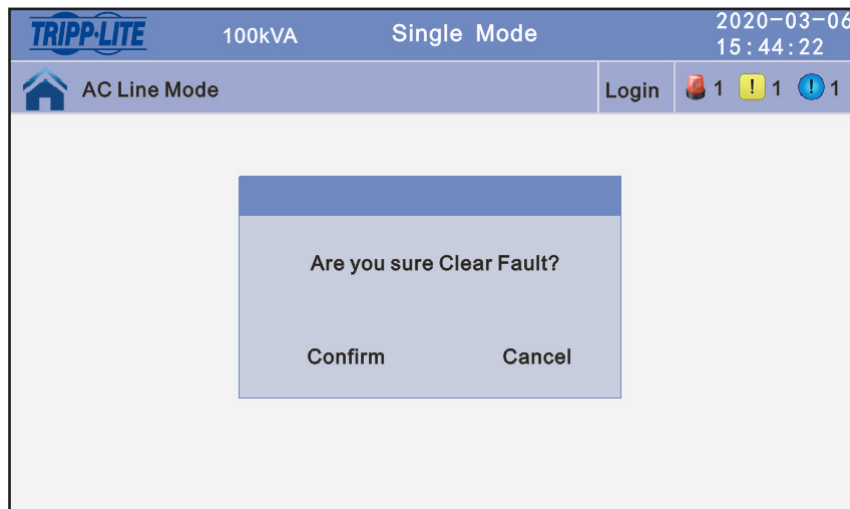


Figure 4-39: Fault Clear

4. Operation

4.3.9 About Screen

Click the **About** icon to enter the About interface to display the current monitor and software versions.

Note: To access the inverter and rectifier firmware numbers, press the **Information** field on the screen.

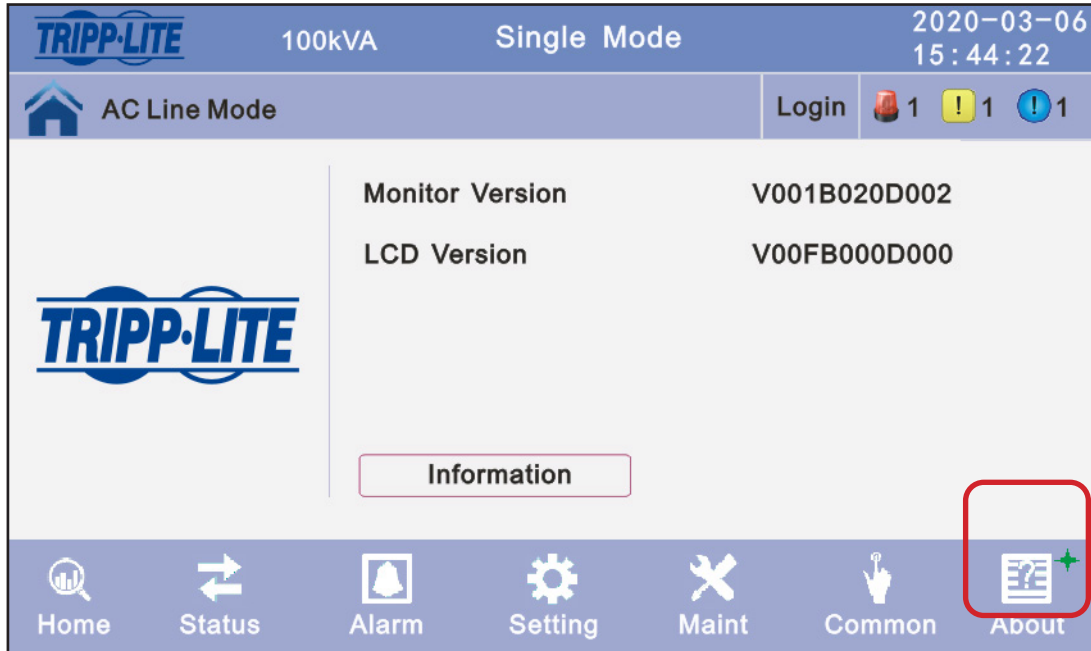


Figure 4-40: About Screen

4. Operation

4.4 Display Messages and Alarms

This section lists audible alarms and LEDs that may be displayed by the UPS during normal operation or fault conditions.

UPS Modes	Audible Alarms		Display LEDs			
	Alarm Status	Mutable On/Off	Alarm	Battery	Bypass	Inverter
UPS Initialization	Beeps, 1x	No	Flashes/0.5s	Flashes/0.5s	Flashes/0.5s	Flashes/0.5s
UPS Online Mode (Normal)	No Beeps	No Beeps	Off	Off	Off	On
UPS Battery Mode	Beeps/2s	Yes	Off	Off	On	Off
UPS Battery Test Mode	No Beeps	No Beeps	Off	Off	On	Off
UPS ECO Mode	No Beeps	No Beeps	Off	On	Off	Off
UPS Standby Mode	No Beeps	No Beeps	Off	Off	Off	Off
UPS Static Bypass Mode	No Beeps	No Beeps	Off	On	Off	Off
UPS Maintenance Bypass Mode	No Beeps	No Beeps	Off	On	Off	Off
UPS Frequency Converter Mode	No Beeps	No Beeps	Off	Off	Off	On
UPS Load Overload	Beeps/1s	Yes	Off	Off	Off	Flashes/2s
UPS Warnings	Beeps/2s or Beeps/1s	Yes	Flashes/2s	Flashes/2s	Off	On
UPS Faults	Beeps/2s or Beeps/1s	Yes	On	On	Off	Off

		Audible Alarms		Display LEDs			
		Alarm Status	Mutable On/Off	Alarm	Bypass	Battery	Inverter
UPS Warnings	Battery Reverse	Beeps/1s	Yes	On	Off	Off	Off
	No Battery	Beeps/1s	Yes	Off	Off	Blinks/1s	Off
	P-Battery Charger Fault	Continuous Beeps	Yes	On	Off	Off	On
	N-Battery Charger Fault	Continuous Beeps	Yes	On	Off	Off	On
	Battery Under Voltage	Beeps/1s	Yes	Off	Off	Blinks/1s	Off
	Battery Low Pre-Warning	Beeps/1s	Yes	Off	Off	Blinks/1s	Off
	Mains Freq. Abnormal	Beeps/2s	Yes	Off	Off	On	Off
	Mains Volt. Abnormal	Beeps/2s	Yes	Off	Off	On	Off
	Bypass Site Wiring Fault	Beeps/1s	Yes	Off	On	Off	Off
	Bypass Not Available	NO Beeps	NO Beeps	Off	Blinks/1s	Off	Off
	Parallel Overload	Beeps/2s	Yes	Off	Off	Off	Blinks/1s
	Bypass Over Current	Beeps/1s	Yes	Off	Blinks/1s	Off	Off
Feedback Protection	Beeps/1s	Yes	Off	On	On	Off	

4. Operation

		Audible Alarms		Display LEDs			
		Alarm Status	Mutable On/Off	Alarm	Bypass	Battery	Inverter
UPS Faults	Rectifier Fault	Continuous Beeps	Yes	On	On	Off	Off
	Rectifier Over Temperature	Beeps/1s	Yes	On	On	Off	Off
	Inverter Over Temperature	Beeps/1s	Yes	On	On	Off	Off
	Rectifier Over Current	Beeps/1s	Yes	On	On	Off	Off
	Auxiliary Power 1 Fault	Continuous Beeps	Yes	On	On	Off	Off
	Auxiliary Power 2 Fault	Continuous Beeps	Yes	On	On	Off	Off
	Input Thyristor Failed	Continuous Beeps	Yes	On	On	Off	Off
	Fan Fault	Continuous Beeps	Yes	On	On	Off	Off
	Fan Power Fault	Continuous Beeps	Yes	On	On	Off	Off
	DC Bus Over Voltage	Continuous Beeps	Yes	On	On	Off	Off
	DC Bus Below Voltage	Continuous Beeps	Yes	On	On	Off	Off
	DC Bus Unbalance	Continuous Beeps	Yes	On	On	Off	Off
	Mains Site Wiring Fault	Beeps/1s	Yes	On	On	Off	Off
	Soft Start Failed	Continuous Beeps	Yes	On	Off	Off	Off
	Input Neutral Line Missing	Beeps/1s	Yes	On	On	Off	Off
	Battery Over Voltage	Beeps/1s	Yes	Blinks/1s	On	Off	Off
	Inverter Fault	Continuous Beeps	Yes	On	On	Off	Off
	Inv. IGBT Bridge Shorted	Continuous Beeps	Yes	On	On	Off	Off
	Inverter Thyristor Short	Continuous Beeps	Yes	On	On	Off	Off
	Inverter Thyristor Broken	Continuous Beeps	Yes	On	On	Off	Off
	Bypass Thyristor Short	Continuous Beeps	Yes	On	On	Off	Off
	Bypass Thyristor Broken	Continuous Beeps	Yes	On	Off	Off	Off
	CAN Comm. Fault	Beeps/1s	Yes	On	Off	Off	Off
Parallel Load Sharing Fault	Beeps/1s	Yes	On	On	Off	Off	
IGBT Over Current	Continuous Beeps	Yes	On	On	Off	Off	
Fuse Broken	Continuous Beeps	Yes	On	On	Off	Off	

4. Operation

		Audible Alarms		Display LEDs			
		Alarm Status	Frequency of Alarm	Alarm	Battery	Bypass	Inverter
UPS Faults							
	Cable Connection Error	Beeps/1s	Yes	On	On	Off	Off
	Parallel Relay Fault	Continuous Beeps	Yes	On	On	Off	Off
	Initialization Fault	Continuous Beeps	Yes	On	Off	Off	Off
	Inverter On Invalid	Continuous Beeps	Yes	On	On	Off	Off
	OutputShortcut	Beeps/1s	Yes	Blinks/1s	Off	Off	Off
	Bypass A SCR short	Continuous Beeps	Yes	On	On	Off	Off
	Bypass B SCR short	Continuous Beeps	Yes	On	On	Off	Off
	Bypass C SCR short	Continuous Beeps	Yes	On	On	Off	Off
	Cabinet Fan Fault	Continuous Beeps	Yes	On	On	Off	Off
	Internal Comm. Error	Beeps/2s	Yes	On	Off	Off	Off

4. Operation

4.4.1 Fault Information

No	Fault Code	UPS Alarm Warning	Buzzer	LED
1	002	REC Over Temperature	Beeps 2x/Second	Fault LED Illuminated
2	003	REC par. cable Fault	Beeps 2x/Second	Fault LED Illuminated
3	004	REC Over Current	Beeps Continuously	Fault LED Illuminated
4	005	REC Power Fault	Beeps Continuously	Fault LED Illuminated
5	007	Input SCR Fault	Beeps Continuously	Fault LED Illuminated
6	00A	Battery SCR Fault	Beeps Continuously	Fault LED Illuminated
7	00C	Charge SCR Fault	Beeps Continuously	Fault LED Illuminated
8	00E	Fan Fault	Beeps Continuously	Fault LED Illuminated
9	011	Fan Power fault	Beeps Continuously	Fault LED Illuminated
10	012	Charger Over Temp.	Beeps Continuously	Fault LED Illuminated
11	013	Soft Start Failed	Beeps Continuously	Fault LED Illuminated
12	014	BAT Charger Fault	Beeps Continuously	Fault LED Illuminated
13	016	REC Comm. Fault	Once per 2 seconds	Fault LED Flashing
14	019	REC Initializes Fault	Beeps Continuously	Fault LED Illuminated
15	01D	Unit insert fault	Beeps 1x/2 Seconds	Fault LED Illuminated
16	063		Beeps 1x/2 Seconds	Fault LED Illuminated
17	01E	Rectifier Fault	Beeps Continuously	Fault LED Illuminated
18	041	Inverter Fault	Beeps Continuously	Fault LED Illuminated
19	044	INV IGBT SHORT	Beeps Continuously	Fault LED Illuminated
20	047	Inverter relay Short	Beeps Continuously	Fault LED Illuminated
21	04A	Inverter relay Broken	Beeps Continuously	Fault LED Illuminated
22	04D	INV par. cable Fault	Beeps 2x/Second	Fault LED Illuminated
23	051	Output Short Circuit	Once per second	Fault LED Flashing
24	054	INV Comm. Fault	Beeps 1x/2 Seconds	Fault LED Flashing
25	057	INV Initializes Fault	Beeps Continuously	Fault LED Illuminated
26	05A	INV self-test Fault	Beeps Continuously	Fault LED Illuminated
27	05E	DC Component Fault	Beeps 1x/2 Seconds	Fault LED Illuminated
28	061	DC bus abnormal	Beeps Continuously	Fault LED Illuminated
29	064	INV DSP Power Fault	Beeps Continuously	Fault LED Illuminated
30	067	INV Over Temperature	Beeps 2x/Second	Fault LED Illuminated
31	068	Load Sharing Fault	Twice per second	Fault LED Illuminated
32	06A	Cabinet mode Fault	Beeps Continuously	Fault LED Illuminated
33	06B	Fuse Broken	Beeps Continuously	Fault LED Illuminated
34	081	Par. cable Fault	Beeps 2x/Second	Fault LED Illuminated
35	086	ECU Insert Fault	Beeps 1x/2 Seconds	Fault LED Illuminated
36	088	ECU Power Fault	Beeps Continuously	Fault LED Illuminated
37	08B	ECU Comm. Fault	Beeps Continuously	Fault LED Illuminated
38	08D	ECU Initializes Fault	Beeps 1x/2 Seconds	Fault LED Flashing
39	091	Bypass SCR Broken	Beeps Continuously	Fault LED Illuminated
40	0C2		Beeps Continuously	Fault LED Illuminated
41	094	Bypass SCR short	Beeps Continuously	Fault LED Illuminated
42	0C5		Beeps Continuously	Fault LED Illuminated
43	097	BPS Over Temperature	Beeps Continuously	Fault LED Illuminated
44	0CF		Beeps Continuously	Fault LED Illuminated
45	09A	Output CT Reverse	Beeps Continuously	Fault LED Illuminated
46	09D	Bypass Feedback Fault	Beeps Continuously	Fault LED Illuminated

4. Operation

4.4.2 Alarm Information

No	Fault Code	UPS Alarm Warning	Buzzer	LED
1	103	Battery Over Voltage	1x/Second	Battery LED blinking
2	104	BAT Low Pre-warning	1x/Second	Battery LED blinking
3	105	Battery Reverse	Twice per second	Battery LED blinking
4	106	Battery EOD	1x/Second	Battery LED blinking
5	107	Battery Voltage Low	1x/Second	Battery LED blinking
6	108	No Battery	1x/Second	Battery LED blinking
7	109	Input Phase Reverse	1x/Second	Inverter LED blinking
8	10A	Input N-Line lost	Twice per second	Inverter LED blinking
9	10B	Mains Freq. Abnormal	1x/2 Seconds	Inverter LED blinking
10	10C	Mains Volt. Abnormal	1x/2 Seconds	Inverter LED blinking
11	10D	REC Comm. Error	1x/2 Seconds	Inverter LED blinking
12	10E	Mains input Lost	1x/2 Seconds	
13	10F	Set Data Err.	1x/2 Seconds	Fault LED blinking
14	121	INV Par. Cable Abnormal	1x/2 Seconds	Fault LED blinking
15	125	INV Overload	1x/2 Seconds	Inverter LED blinking
16	126	INV Not Synchronized	Beeps Continuously	Inverter LED blinking
17	12A	INV Set Data Err	1x/2 Seconds	Fault LED blinking
18	129	INV Comm. Error	1x/2 Seconds	Fault LED blinking
19	141	Bypass Switch to Num	1x/2 Seconds	Bypass LED blinking
20	142	Unit Quantity Mismatch	1x/2 Seconds	Fault LED blinking
21	143	Parallel Overload	1x/2 Seconds	Inverter LED blinking
22	144	Bypass Overload	1x/2 Seconds	Bypass LED blinking
23	145	Maint. Switch Misuse	1x/2 Seconds	Fault LED blinking
24	146	ECU Comm. Error	1x/2 Seconds	Fault LED blinking
25	147	Par. Cable Abnormal	1x/2 Seconds	Fault LED blinking
26	14B	ECU Par. Cable Abnormal	1x/2 Seconds	Fault LED blinking
27	14C	ECU Abnormal	1x/2 Seconds	Fault LED blinking
28	14E	BPS Phase Reversed	1x/Second	Bypass LED blinking
29	162		1x/Second	Bypass LED blinking
30	14F	BPS Unable to Trace	1x/2 Seconds	Bypass LED blinking
31	163		1x/2 Seconds	Bypass LED blinking
32	150		1x/Second	Bypass LED blinking
33	164	BPS Not Available	1x/Second	Bypass LED blinking
34	151	Ecu Set Data Err	1x/2 Seconds	Fault LED blinking

5. Troubleshooting

If the UPS system is not functioning normally, check for errors in installation, wiring or operation. If all these aspects check out with no problems, contact support at tripplite.com/support with the following information:

1. Product model name and serial number.
2. Description of the problem with details, such as LCD display information, LED statuses, etc.

Read this owner's manual carefully. The table below may help you solve the problem easily.

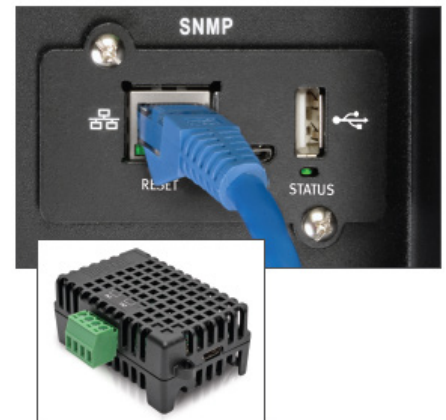
No.	Problem	Possible reason	Solution
1	Utility is connected but the UPS cannot be powered ON.	<ul style="list-style-type: none"> • Input power supply is not connected • Input voltage low • The input switch of the UPS is not switched on 	<ul style="list-style-type: none"> • Measure if the UPS input voltage/frequency is within the window • Ensure UPS input is switched on
2	Utility normal but Utility LED does not illuminate, and the UPS operates at battery mode	<ul style="list-style-type: none"> • The input breakers of the UPS are not switched on • Input cable is not connected securely 	<ul style="list-style-type: none"> • Switch on the input breaker • Make sure the input cable is connected securely
3	The UPS does not indicate a fault, but there is no output voltage	<ul style="list-style-type: none"> • Output cable is not connected securely • Output breaker switch not on 	<ul style="list-style-type: none"> • Make sure the output cable is connected securely • Switch on the output breaker
4	Utility LED is flashing	Utility voltage exceeds UPS input range	If the UPS operates in battery mode, pay attention to the remaining backup time needed for your system
5	Battery LED is flashing but there is no charge voltage and current	<ul style="list-style-type: none"> • Battery breaker is not switched on • Batteries are damaged • Battery is connected in reverse • Battery number and capacity are not set correctly 	<ul style="list-style-type: none"> • Switch on the battery breaker • If batteries are damaged, replace entire group of batteries • Connect the battery cables correctly • Go to the LCD setting for the battery number and capacity and set the correct data
6	Buzzer beeps every 0.5 seconds and LCD displays "Output Overload"	Overload	Remove some of the load
7	The UPS only works on Bypass Mode	The UPS is set to ECO mode, or the transfer times to bypass mode are limited	Set the UPS working mode to UPS type (non-parallel), or reset the times of transferring to bypass or restart the UPS
8	Cannot Power On	<ul style="list-style-type: none"> • Battery switch is not properly closed • Battery fuse is not open • Battery is low • Battery quantity is set incorrectly • Power breaker in the rear panel is not switched to ON position 	<ul style="list-style-type: none"> • Close the battery switch • Change the fuse • Recharge the battery • Power on the UPS with AC to set the correct battery quantity • Switch on the power breaker

6. Communications

6.1 Web Management Card

Tripp Lite's **WEBCARDLX** is an optional accessory available for all models. The WEBCARDLX card enables remote monitoring and control through several interfaces: HTML5 web via HTTP(S), menu/CLI via SSH/Telnet, and SNMP for integration with software management platforms, such as DCIM. Using WEBCARDLX in your UPS combined with Tripp Lite's network-enabled switched PDUs, you can manage power throughout your facility and receive automated alerts to identify problems before they cause downtime.

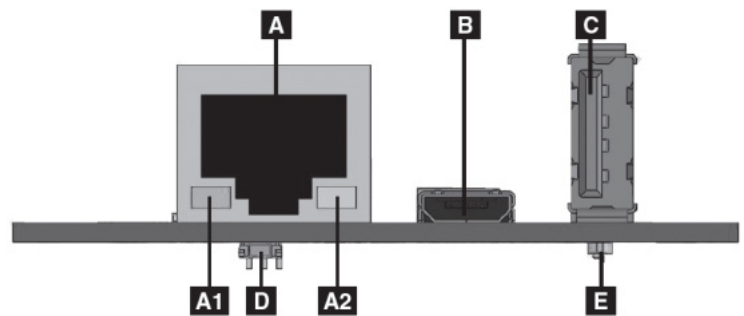
WEBCARDLX also supports a family of sensors for remotely monitoring environmental conditions. You can link up to three sensors together, connecting them to a single port on the WEBCARDLX. Tripp Lite offers free PowerAlert® Network Management System software. Learn more and download at tripplite.com/products/power-alert.



6.1.1 WEBCARDLX Features

The following is an introduction to the features of Tripp Lite's WEBCARDLX. To view the full description of the card's functionality, download its Owner's Manual at tripplite.com/support.

- A** Ethernet Port: RJ45 jack connects the WEBCARDLX to the network using a standard Ethernet patch cable. The Link LED **A1** and Status LED **A2** indicate the operating conditions.
- B** Micro-USB Port: Use this port to directly connect with a computer running a terminal emulation program.
- C** Type-A USB Port: Use this port to connect a Tripp Lite ENVIROSENSE 2 module (E2MT, E2MTDO, E2MTDI, E2MTHDI) for a variety of environmental monitoring and control options. See tripplite.com for more information about these modules.
Note: Do not connect a keyboard or mouse to this port.
- D** Reset Button: The reset button is recessed, accessible through a small hole under the RJ45 network port.
- E** Status LED: Shows WEBCARDLX status.



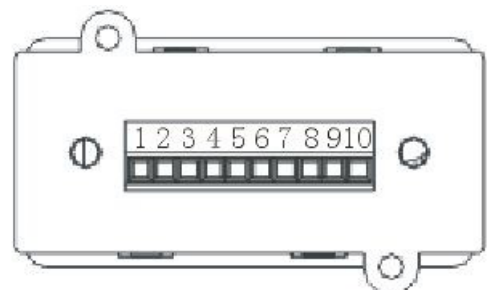
6.2 Relay Card

A 10-pin terminal supports a relay card to provide bypass, utility failure, inverter on, battery low, UPS fault, UPS alarm and UPS shutdown functions.

The relay communication card contains six dry contact outputs and one dry input. The inputs and outputs are factory programmed according to functions listed in the following table.

Relay Contacts (Communication Card)

Pin	Function Description	Input or Output
1	Utility Failure	Output
2	Battery Low	
3		
4	Bypass On	
5	UPS Fault	
6	Inverter On	
7	Summary Alarm	
8	Common	
9	Remote Shutdown +	Input (5V to12V)



6. Communications

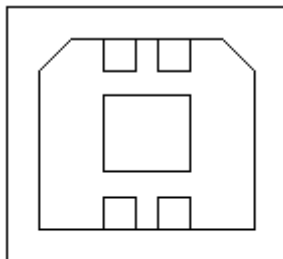
6.3 USB Communication Port Definition



Notes:

- The USB, RS-232 and RS-485 interfaces cannot be used simultaneously. Only one interface can be used at a time.
- These three communication ports use a MODBUS protocol. Refer to the S3M10-20kVA 3-Phase MODBUS Owner's Manual.

The USB communication port is a USB Type-B female connector.



Connections Between the Connected Computer's USB Port and UPS System's USB Port

Computer USB Port	UPS USB Port	Description
Pin 1	Pin 1	Computer: +5V
Pin 2	Pin 2	Computer: DPLUS signal
Pin 3	Pin 3	Computer: DMINUS signal
Pin 4	Pin 4	Signal ground

Available Functions of the USB Port

- Monitor UPS power status
- Monitor UPS alarm info
- Monitor UPS running parameters
- Timing off/on setting
- One-to-one communication, UPS to computer, at a distance less than 1.5 m

USB Communication Data Format

- Baud rate: 9600 bps
- Byte length: 8 bit
- End bit: 1 bit
- Parity check: None

6. Communications

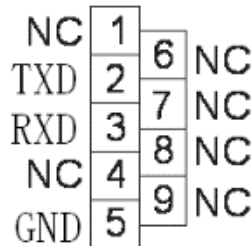
6.4 RS-232 Communication Port Definition



Notes:

- The USB, RS-232 and RS-485 interfaces cannot be used simultaneously. Only one interface can be used at a time.
- These three communication ports use a MODBUS protocol. Refer to the S3M10-20kVA 3-Phase MODBUS Owner's Manual.

The RS-232 port is a male connector.



Connection Between the Connected Computer's RS-232 Port and UPS System's RS-232 Port

Computer RS-232 Port	UPS RS-232 Port	
Pin 2	Pin 2	UPS send, PC receive
Pin 3	Pin 3	PC send, UPS receive
Pin 5	Pin 5	Ground

Available Functions of the RS-232 Port

- Monitor UPS power status
- Monitor UPS alarm data
- Monitor UPS run parameters
- Timing off/on setting
- One-to-one communication, UPS to computer, at a distance less than 5 m

RS-232 communication data format

- Baud rate: 9600 bps
- Byte length: 8 bit
- End bit: 1 bit
- Parity check: None

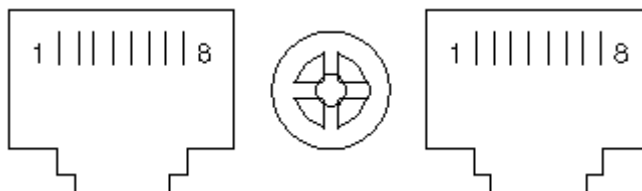
6.5 RS-485 Communication Port Definition



Notes:

- The USB, RS-232 and RS-485 interfaces cannot be used simultaneously. Only one interface can be used at a time.
- These three communication ports use a MODBUS protocol. Refer to the S3M10-20kVA 3-Phase MODBUS Owner's Manual.
- This port may also be used with an external battery thermostat. Refer to section **6.6 BAT_T Communication Port Definition**.

The RS-485 Port is a female connector.



6. Communications

Connection Between the Connected Device's RS-485 Port and UPS System's RS-485 Port

Device (RJ-45)	UPS (RJ-45)	Description
Pin 1/5	Pin 1/5	485+ "A"
Pin 2/4	Pin 2/4	485 - "B"
Pin 7	Pin 7	+12Vdc
Pin 8	Pin 8	GND

Available Functions of the RS-485 Port

- Monitor UPS power status
- Monitor UPS alarm info
- Monitor UPS running parameters
- Timing off/on setting
- Battery environment temperature monitoring
- Charging voltage modulation depending on batteries temperature

RS-485 Communication Data Format

- Baud rate: 9600 bps
- Byte length: 8 bit
- End bit: 1 bit
- Parity check: None

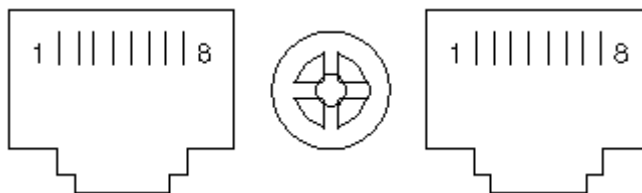
6.6 BAT_T Communication Port Definition



Notes:

- The USB, RS-232 and RS-485 interfaces cannot be used simultaneously. Only one interface can be used at a time.
- This port may also be used for MODBUS communications. Refer to section **6.5 RS-485 Communication Port Definition**.

The BAT_T Port is a female connector. The external battery cabinet thermostat used for temperature charging compensation may be connected to this port.



Connection Between the Temperature Sensor RJ45 Port and UPS RJ45 Port

Temperature Sensor (RJ45)	UPS BAT_T (RJ45)	Description
Pin 1/5	Pin 1/5	TX
Pin 2/4	Pin 2/4	RX
Pin 7	Pin 7	12V
Pin 8	Pin 8	GND

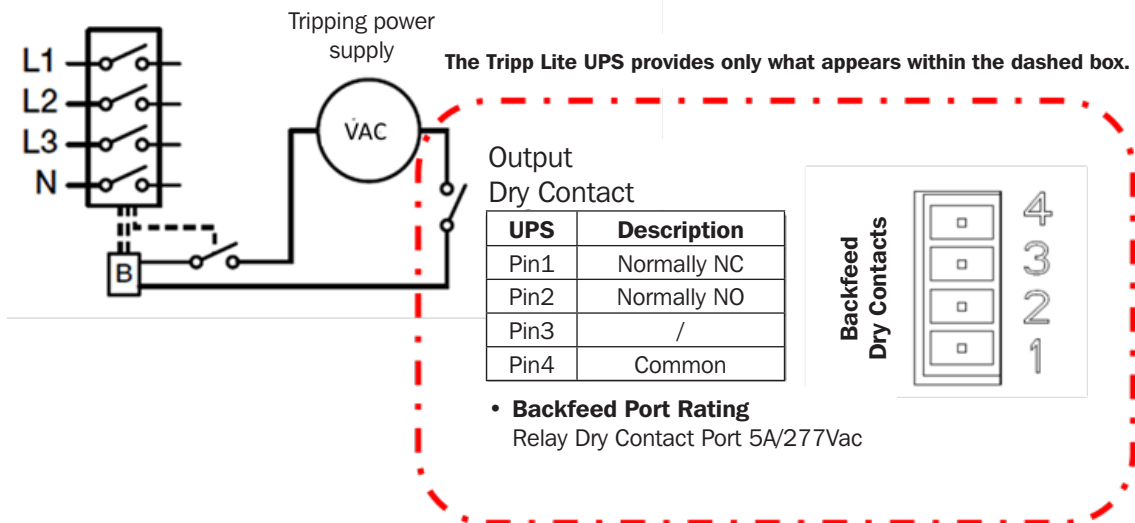
Available Functions of the BAT_T Port

- Battery environment temperature monitoring
- Charging voltage modulation depending on batteries' temperature

6. Communications

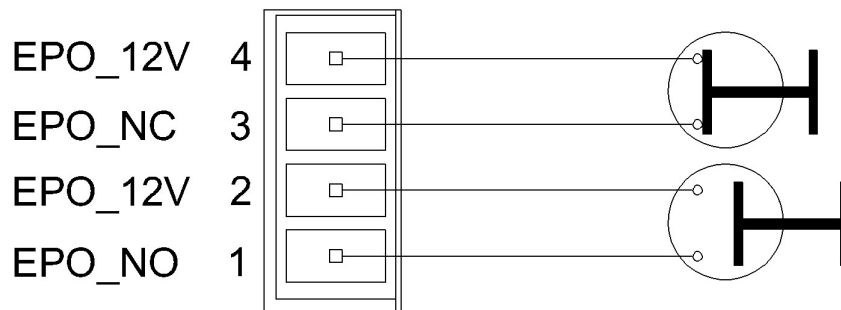
6.7 Backfeed: Relay Dry Contacts Port

The backfeed port is a male connector.



6.8 REPO Connection

Connection diagram: REPO is Normally Closed (NC)



Connections between the button and UPS REPO port.

Button	UPS REPO	Description
Pin 1	Pin 1	EPO-NO
Pin 2	Pin 2	EPO-12V
Pin 1	Pin 3	EPO-NC
Pin 2	Pin 4	EPO-12V

- A remote emergency stop switch can be installed in a remote location and connection through simple wires to the REPO connector.

7. Storage and Maintenance

7.1 Storage

The UPS must be stored in a clean, secure environment with a temperature less than 104°F (40°C) and a relative humidity of less than 90% (non-condensing). Store the UPS in its original shipping container if possible. If installation occurs more than 6 months after you receive the UPS system, recharge the batteries for at least 24 hours prior to use. Do not rely on the UPS to provide backup power to connected equipment until the batteries are fully charged.

Note: *If the UPS system remains off for an extended period of time, it should be turned on periodically to allow the batteries to recharge. The UPS system should be turned on and the batteries should be recharged at least one uninterrupted 24-hour period every 3 months. Failure to recharge the batteries periodically may cause irreversible battery damage.*

7.2 Maintenance

Tripp Lite recommends annual preventive maintenance be performed on this product to ensure reliability and longevity. Certified technicians are required to perform startup, preventive maintenance and repairs to validate all warranties. Contact your local representative or email sales@tripplite.com for more information.

General UPS and Battery Maintenance

The area around the UPS must be kept clean and dust-free.

For full battery life, keep the UPS at an ambient temperature of 77°F (25°C).

Note: *Service life varies, depending on the frequency of usage and ambient temperature. Batteries used beyond expected service life will often have severely reduced runtimes. Replace batteries at least every 5 years to keep the unit running at peak efficiency.*

- The UPS system operates with hazardous voltage. Repairs should be performed only by certified Tripp Lite technicians.
- Even after the unit is disconnected from the mains, potentially dangerous components inside the UPS system are still connected to the battery packs.
- Before carrying out any kind of service and/or maintenance, disconnect the batteries and verify no current is present and no hazardous voltage exists in the terminals of high-capability capacitors, such as BUS-capacitors.
- Only qualified technicians taking the required precautionary measures may replace batteries and supervise operations. Unauthorized persons should not perform battery maintenance.
- Verify no voltage between the battery terminals and the ground is present before maintenance or repair. The battery circuit is not isolated from the input voltage. Hazardous voltages may occur between the battery terminals and the ground.
- Batteries may cause electric shock and have a high short-circuit current. Remove all wristwatches, rings and other metal personal objects before maintenance or repair, and use only tools with insulated grips and handles for maintenance or repair.
- When replacing the batteries, install the same number, type and battery capacity.
- Do not attempt to dispose of batteries by burning them. This could cause a battery explosion. Batteries must be appropriately disposed of according to local regulations.
- Do not open or destroy batteries. Escaping electrolytes may be toxic and can cause injury to the skin and eyes.
- To avoid fire hazards, replace the fuse only with the same type and amperage.
- Do not disassemble the UPS system.

7. Storage and Maintenance

7.3 Battery

Tripp Lite's S3M-Series UPS systems use sealed lead-acid batteries. The battery life depends on operating temperature, the usage and the charging/discharging frequency. High-temperature environments and high charging/discharging frequency will quickly shorten the battery life. Please follow the suggestions below to ensure a normal battery lifetime.

1. Keep operating temperature between 32°F to 104°F.
2. For optimum battery performance and life, operate at a regulated 77°F.
3. When the UPS needs to be stored for an extended period of time, the batteries must be recharged once every three months and the charging time must not be less than 24 hours each time.

7.4 Fan

Higher temperatures shorten fan life. When the UPS is running, ensure all fans are working normally and make sure air can move freely around and through the UPS. If not, replace the fans.

Note: Contact Tripp Lite Technical Support for more maintenance information. Do not perform maintenance if you are not qualified to do so.

8. Specifications

Model	S3M25K	S3M30K	S3M50K	S3M60K	S3M80K	S3M100K
OVERVIEW						
Capacity	25 kVA/25 kW	30 kVA/30 kW	50 kVA/50 kW	60 kVA/60 kW	80 kVA/80 kW	100 kVA/100 kW
Topology	True On-Line Double Conversion; Voltage- and Frequency-Independent (VFI)					
INPUT						
Voltage and Phase	208/220V (Ph-Ph); 120/127V (Ph-N); 3-Phase, Neutral and Ground					
Voltage Range	-20%, +25% (Ph-Ph 166–260V or 176–275V) at 100% Load; -40%, +25% (Ph-Ph 125–260V or 132–275V) at <50% Load					
Frequency (Range)	50/60 Hz, Selectable (40 – 70 Hz)					
Power Factor	≥ 0.99 (100% Linear Load); ≥ 0.98 (50% Linear Load)					
Harmonic Distortion	< 3% THDi (100% Load)					
Dual AC Input	Yes					
Backfeed Protection	Yes					
OUTPUT						
Voltage and Phase	208/220V (Ph-Ph); 120/127V (Ph-N); 3-Phase, Neutral and Ground					
AC Voltage Regulation	±1% of Nominal (Double-Conversion Mode, Converter Mode or Battery Mode); ±10% of Nominal (ECO Mode)					
Power Factor	1.0 (Unity Output Power Factor)					
Frequency	Selectable ±1%, ±2%, ±4%, ±5%, ±10% of Input (Default: ±5%)					
Frequency Regulation	±0.1 Hz (Converter Mode or Battery Mode)					
Overload (AC Mode)	Load ≤ 110%=1 hour; Load ≤ 125%=10 min.; Load ≤ 150%=1 min.; Load >150%=Bypass					
Crest Factor	3:1 Maximum					
Harmonic Distortion	≤ 2% THD (100% Linear Load); ≤ 5% THD (100% Non-Linear Load)					
Waveform	Pure Sine Wave					
Transfer Time	0 ms (Line ↔ Battery and Inverter ↔ Bypass); <8 ms (Battery ↔ ECO)					
Parallel Capability	Parallel up to 5N+1 Units for Increased Capacity or up to 6 for Redundancy					
BYPASS						
Bypass Voltage Range	Upper Limit: +10%, +15%, +20% or +25% (Default: +20%); Lower Limit: -10%, -20%, -30% or -40% (Default: -40%)					
Bypass Frequency Range	±10% (Adjustable)					
EFFICIENCY						
Online Mode	up to 94%					
ECO Mode	up to 98%					
BATTERY AND CHARGER						
DC Acceptance Voltage	±120V DC (Nominal)					
Battery Configuration	External Only*	External Only*	External Only*	External Only*	External Only*	External Only*
Internal Battery Quantity	None	None	None	None	None	None
Run time (100% Load)	UPS runtime depends on the connected loads and the battery pack/cabinet model. Refer to the model page at triplite.com for runtimes.					
Run time (50% Load)						
External Battery Pack (Cabinet) Models	*Refer to section 3.9 UPS to Cabinet Model Compatibility					
Charging Current (Default)	1 – 20A (0.15C)	2 – 20A (0.15C)	4 – 40A (0.15C)	4 – 40A (0.15C)	6 – 60A (0.15C)	8 – 80A (0.15C)
ENVIRONMENT						
Operating Temperature	0 – 40° C					
Storage Temperature	-15 – 60° C					
Operating Humidity	0 – 95% (Non-Condensing)					
Operating Altitude	< 1000 m (Derate output power by 1% per 100 m above 1000 m.)					
Audible Noise at 1 m	< 65.4 dBA	< 67.8 dBA	< 72 dBA	< 72 dBA	< 74 dBA	< 75.6 dBA
Heat Dissipation (100% Load)	6339 BTU/h	7679 BTU/h	12628 BTU/h	15154 BTU/h	19932 BTU/h	24915 BTU/h
MANAGEMENT						
Display Panel	Large 12.7 cm (5-inch) Multi-language Touchscreen Display with Supplemental LEDs					
Communications	Optional SNMP Network Management Card (WEBCARDLX) and three integrated MODBUS Ports: RS-232, RS-485 (RJ45), USB. The Relay I/O card is optional.					
STANDARDS						
Safety	UL1778:2014 (5th Edition); CAN/CSA-C22.2 No. 107.3-14 (3rd Edition)					
EMC/EMI	FCC Part 15B Class A					
Additional	ENERGY STAR 2.0, RETIE, IP20 Ingress Protection Rating; RoHS, ISTA 3B/Vibration, Shock and Tip tested.					
PHYSICAL						
Unit Dimensions (H x W x D)	39.4 x 11.8 x 31.5 inches/ 1000 x 300 x 800 mm		47.2 x 17.4 x 33.46 inches/ 1200 x 442 x 850 mm		62.99 x 23.62 x 33.46 inches/ 1600 x 600 x 850 mm	
Unit Weight	209 lb. / 95 kg	212 lb. / 96 kg	353 lb. / 160 kg	364 lb. / 165 kg	624 lb. / 283 kg	708 lb. / 321 kg

9. Warranty

Limited Factory Warranty for Tripp Lite 3-Phase UPS Products

Seller warrants the product, if used in accordance with the manufacturer's specifications, as outlined in the owner's manual and all applicable instructions, and as verified by Tripp Lite's UPS commissioning service, to be free from original defects in material and workmanship. This Warranty applies for a period of:

Product Type	Region	
	Continental USA and Canada	International Markets (Not Including USA and Canada)
UPS Electronics and UPS Internal Batteries	One year from Tripp Lite UPS commissioning or 18 months from shipment, whichever is less.	Two years from Tripp Lite UPS commissioning or 30 months from shipment, whichever is less.
UPS External Batteries	One year from Tripp Lite UPS commissioning or 18 months from shipment, whichever is less.	One year from Tripp Lite UPS commissioning or 18 months from shipment, whichever is less.

If the product should prove defective in material or workmanship within that period, Seller will repair or replace the defective parts at no cost.

The product must be commissioned by an authorized and approved Tripp Lite service technician, and the applicable commissioning or maintenance documentation must be submitted to and approved by Tripp Lite, for this Warranty to be valid. If the product has not been commissioned by an authorized Tripp Lite service technician, eligible replacement parts may be provided, but ineligible parts charges and labor charges will apply based on published Tripp Lite parts pricing and time and material rates.

This Warranty does not apply to batteries sourced outside of Tripp Lite or any other components sourced outside of Tripp Lite. This Warranty is not transferable and applies to the original end-user only. This Warranty does not apply to other Tripp Lite warranty extensions or service contracts, as those products carry their own terms. Service under this Warranty can only be obtained by contacting Tripp Lite Customer Service:

- For USA and Canada: write to Tripp Lite Customer Service, 1111 W. 35th St., Chicago, IL 60609; call +1.773.869.1234, email techsupport@tripplite.com or visit tripplite.com/support/help
- For all other regions: call +1.773.869.1313 or email intlservice@tripplite.com

THIS WARRANTY DOES NOT APPLY TO NORMAL WEAR OR TO DAMAGE RESULTING FROM IMPROPER INSTALLATION, REPAIR, MODIFICATION, START-UP, MAINTENANCE OR TESTING BY NON-TRIPP LITE DESIGNATED PERSONNEL; ACCIDENT; MISUSE; NEGLIGENCE; INCORRECT OR INADEQUATE ELECTRICAL VOLTAGE OR CONNECTION; INAPPROPRIATE ON-SITE OPERATION CONDITIONS; CORROSIVE ATMOSPHERE; A CHANGE IN LOCATION OR OPERATING USE; EXPOSURE TO THE ELEMENTS; ABUSE; NEGLIGENCE OR ANY OTHER CAUSE BEYOND THE RANGE OF THE INTENDED USE AS DETERMINED BY TRIPP LITE. SELLER MAKES NO EXPRESS WARRANTIES OTHER THAN THE WARRANTY EXPRESSLY SET FORTH HEREIN. EXCEPT TO THE EXTENT PROHIBITED BY APPLICABLE LAW, ALL IMPLIED WARRANTIES, INCLUDING ALL WARRANTIES OF MERCHANTABILITY OR FITNESS FOR A PARTICULAR PURPOSE, ARE LIMITED IN DURATION TO THE WARRANTY PERIOD SET FORTH ABOVE; AND THIS WARRANTY EXPRESSLY EXCLUDES ALL INCIDENTAL AND CONSEQUENTIAL DAMAGES. (USA: Some states do not allow limitations on how long an implied warranty lasts, and some states do not allow the exclusion or limitation of incidental or consequential damages, so the above limitations or exclusions may not apply to you. This Warranty gives you specific legal rights, and you may have other rights, which vary from jurisdiction to jurisdiction.)

Regulatory Compliance Identification Numbers

For the purpose of regulatory compliance certifications and identification, your Tripp Lite product has been assigned a unique series number. The series number can be found on the product nameplate label, along with all required approval markings and information. When requesting compliance information for this product, always refer to the series number. The series number should not be confused with the marketing name or model number of the product.

WEEE Compliance Information for Tripp Lite Customers and Recyclers (European Union)



Under the Waste Electrical and Electronic Equipment (WEEE) Directive and implementing regulations, when customers buy new electrical and electronic equipment from Tripp Lite they are entitled to:

- Send old equipment for recycling on a one-for-one, like-for-like basis (this varies depending on the country)
- Send the new equipment back for recycling when this ultimately becomes waste

Tripp Lite has a policy of continuous improvement. Specifications are subject to change without notice. Photos and illustrations may differ slightly from actual products.



1111 W. 35th Street, Chicago, IL 60609 USA • tripplite.com/support

Manual del Propietario

Sistemas UPS Trifásicos SmartOnline® S3M

Modelos: S3M25K, S3M30K, S3M50K, S3M60K, S3M80K, S3M100K

Entrada: 120V / 127V (Fase a Neutro), 208V / 220V (Entre Fases), 3Ø 4 Hilos + Tierra Física



English 1 • Français 164



1111 W. 35th Street, Chicago, IL 60609 EE UU • tripplite.com/support

Copyright © 2020 Tripp Lite. Todos los derechos reservados.

Índice

1. Introducción	85	3.9 Compatibilidad del UPS al Modelo del Gabinete de Baterías	104
2. Instrucciones de Seguridad Importantes	86	3.10 Instalación de un Solo UPS	105
2.1 Advertencias para la Ubicación del UPS	86	3.10.1 Cables de Alimentación	105
2.2 Advertencias en relación con la Conexión del Equipo	86	3.10.2 Breakers Recomendados	107
2.3 Advertencias de la Batería	86	3.11 Conexión de Entrada Única (Alimentación de la Red Pública)	108
2.4 Transporte y Almacenamiento	87	3.12 Conexión de Entrada Doble (Alimentación de la Red Pública y de la Derivación)	110
2.5 Preparación	87	3.13 Instalación del UPS para Sistemas en Paralelo	113
2.6 Instalación	87	3.13.1 Conexiones del Cable de Alimentación en Paralelo	114
2.7 Advertencias sobre la conexión	88	3.13.2 Instalación del Cable en Paralelo	115
2.8 Operación	88	3.13.3 Puesta en Marcha del Sistema en Paralelo	116
2.9 Cumple con los Estándares	88	3.14 Sincronización del Bus de Carga Instalación (LBS)	116
3. Instalación y Cableado	89	3.14.1 Configuración del LCD	116
3.1 Advertencia Importante de Seguridad	89	3.14.2 Instalación de Cable LBS	117
3.2 Inspección del Paquete	89	3.14.3 Instalación del UPS	118
3.2.1 Inspección Externa	89	3.14.4 Parámetros LBS	118
3.2.2 Inspección Interna	89	3.15 Conexiones de la Batería Externa	119
3.2.3 Contenido del Empaque	89		
3.3 Datos mecánicos	90		
3.3.1 Dimensiones para modelos S3M25K y S3M30K	90		
3.3.2 Dimensiones para modelos S3M50K y S3M60K	91		
3.3.3 Dimensiones para Modelos S3M80K y S3M100K	92		
3.3.4 Requerimientos Físicos	93		
3.4 Desempacado del UPS	94		
3.5 Descripción General	95		
3.6 Panel de control LCD, LEDs y Alarmas	102		
3.6.1 Introducción: Pantalla LCD	102		
3.6.2 Introducción: Alarmas Acústicas y LEDs	102		
3.7 Notas para la Instalación	103		
3.8 Dispositivos Protectores Externos	103		
3.8.1 Batería Externa	103		
3.8.2 Salida del UPS	103		
3.8.3 Protección contra Sobrecorriente	104		
		4. Operación	121
		4.1 Modos de Operación	121
		4.1.1 Modo en Línea de CA	121
		4.1.2 Modo de Respaldo por Batería (Modo de Energía Almacenada)	121
		4.1.3 Modo en Derivación	122
		4.1.4 Modo ECO	122
		4.1.5 Modo de Mantenimiento (Derivación Manual)	123
		4.2 Encendido y Apagado del UPS	123
		4.2.1 Arranque Básico	123
		4.2.2 Apagado del UPS	123
		4.2.3 Arranque en Frío	124
		4.2.4 Transferencia a Mantenimiento Modo en Derivación	124
		4.2.5 Transferencia desde el Modo en Derivación para Mantenimiento al Modo en Línea o ECO	124

Índice

4.3 Alarmas, LEDs y Pantalla LCD	125	6. Comunicaciones	155
4.3.1 Visión General de Alarmas Acústicas e Indicadores LED	125	6.1 Tarjeta para Administración de Red	155
4.3.2 Introducción al Panel de Control LCD	125	6.1.1 Características de la Tarjeta WEBCARDLX	155
4.3.3 Página Principal: Pantalla Predeterminada	126	6.2 Tarjeta de Relevador	155
4.3.4 Pantalla de Estado	127	6.3 Puerto de Comunicaciones USB Definición	156
4.3.5 Interfaz de Alarma	130	6.4 Puerto de Comunicación RS-232 Definición	157
4.3.6 Pantalla de Configuración	132	6.5 Puerto de Comunicación RS-485 Definición	157
4.3.6.1 Pantalla de Configuración Básica	132	6.6 Puerto de Comunicación BAT_T Definición	158
4.3.6.2 Pantalla de Configuración Avanzada	136	6.7 Retroalimentación: Puerto de Contactos Secos por Relevador	159
4.3.6.2.1 Configuración del Sistema	137	6.8 Conexión de REPO	159
4.3.6.2.2 Parámetros de Conexión en Paralelo	138	7. Almacenamiento y Mantenimiento	160
4.3.6.2.3 Parámetros de Salida	139	7.1 Almacenamiento	160
4.3.6.2.4 Parámetros de Respaldo por Batería	140	7.2 Mantenimiento	160
4.3.6.2.5 Parámetros de Derivación	142	7.3 Batería	161
4.3.6.2.6 Contacto Seco Parámetros	143	7.4 Ventilador	161
4.3.7 Pantalla Mant (Mantenimiento)	144	8. Especificaciones	162
4.3.8 Pantalla Común	146	9. Garantía	163
4.3.9 Acerca de la Pantalla	148	English	1
4.4 Mostrar Mensajes y Alarmas	149	Français	164
4.4.1 Información de Falla	152		
4.4.2 Información de Alarma	153		
5. Solución de Problemas	154		

1. Introducción

El Sistema de Respaldo Ininterrumpible [UPS] SmartOnline Serie S3M de Tripp Lite es un Sistema UPS trifásico 100% en línea de doble conversión con Voltaje y Frecuencia Independiente [VFI]. Este UPS acondiciona continuamente la alimentación de energía eléctrica, eliminando perturbaciones en la energía que de otra forma dañarían los dispositivos electrónicos delicados y minimizando el tiempo muerto ocasionado por fluctuaciones e interrupciones de energía.

La Serie S3M utiliza la tecnología más reciente de control digital DSP y un factor de potencia de salida de uno. Los sistemas UPS de la Serie S3M están diseñados para los más altos estándares de calidad y rendimiento y ofrecen las siguientes características líderes del mercado:

Modelo de UPS	Número de Agencia	Capacidad
S3M25K	AG-044C	25000W
S3M30K	AG-044D	30000W
S3M50K	AG-044E	50000W
S3M60K	AG-044F	60000W
S3M80K	AG-0450	80000W
S3M100K	AG-0451	100000W

- UPS 100 % en línea – el más alto nivel de protección por UPS, regula completamente la alimentación de energía con cero tiempo de transferencia a la batería en caso de una falla prolongada de la energía de la red pública para que las cargas críticas permanezcan soportadas
- Certificado Energy Star – ofrece la mayor eficiencia para minimizar costos de la energía de la red pública y gastos.
- Eficiencia de alto rendimiento de hasta 94% en modo en línea de CA y de 98% en modo ECO
- Factor de Potencia de Uno [PF1] – más potencia real permite soportar más equipo
- El tamaño más compacto en su clase libera espacio para equipos generadores de ingresos
- Conexión en Paralelo para capacidad (5N+1) y redundancia – hasta seis sistemas UPS pueden usar solo un gabinete de baterías
- Derivación para mantenimiento automática y manual para aumentar la confiabilidad del sistema y permitir el mantenimiento sin retirar la energía de la carga conectada
- Amplia ventana de voltaje de entrada – el sistema UPS regula incluso la corriente eléctrica de entrada de calidad deficiente sin cambiar al respaldo por batería, maximizando la disponibilidad del sistema y protegiendo la vida de la batería
- Gran pantalla táctil intuitiva de 127 mm [5"], multilingüe para facilidad de uso
- Poderoso e inteligente cargador de batería (de 20A a 80A, dependiendo del modelo del UPS) para minimizar el tiempo de carga de la batería, aumentando la confiabilidad del sistema
- Apagado de emergencia (botón EPO, REPO remoto) y botón de arranque en frío de fácil manejo
- Tarjeta para administración de red Ethernet (SNMP) WEBCARDLX opcional
- Tres puertos MODBUS RTU: RS-485, RS-232 y USB; son estándar en todos los modelos
- Capacidad de entrada doble y sencilla de CA estándar en todos los modelos
- Estándar de Derivación para Mantenimiento Integrado; paneles de derivación externa disponibles
- Variedad de modelos en una gama de capacidades para minimizar costos y acomodarse a sus necesidades de autonomía
- Diseño del panel frontal compatible con los gabinetes externos de batería y transformador (480V, 600V) (opcional)

Los sistemas UPS SmartOnline de la serie S3M son ideales para la protección y soporte de las siguientes aplicaciones eléctricas de misión crítica:

- Infraestructura de TI – pequeños centros de datos, edge computing y centros de datos compartidos
- Telecomunicaciones
- Redes (LAN / WAN)
- Infraestructura corporativa
- Sistemas de seguridad y emergencia de carga sin motor
- Instituciones financieras, gubernamentales, educativas y de investigación
- Aplicaciones de manufactura y de cuidado de la salud con modelos con transformador (400V o 600V) + juego de UPS

Nota: Todos los accesorios, transformadores y recursos de UPS trifásicos de Tripp Lite para los modelos de la Serie S3M y otras soluciones de UPS trifásicos están disponibles en tripplite.com/pages/3-phase-ups-ss.

2. Advertencias Importantes de Seguridad

CONSERVE ESTAS INSTRUCCIONES

Este manual contiene instrucciones y advertencias importantes que deben seguirse durante la instalación y mantenimiento de todos los sistemas UPS trifásicos SmartOnline S3M de 25kVA, 30kVA, 50kVA, 60kVA, 80kVA y 100kVA. La omisión en la observancia de las advertencias puede afectar la garantía.

2.1 Advertencias para la Ubicación del UPS

- Instale el UPS en interiores, alejado del calor, luz solar directa, polvo y humedad excesivos u otros contaminantes conductores.
- Instale el UPS en un área estructuralmente sólida. El UPS es extremadamente pesado; tenga cuidado al mover y levantar la unidad.
- Opere el UPS únicamente a temperaturas interiores entre 0 °C y 40 °C.
- El rendimiento óptimo del UPS y la vida máxima de la batería se alcanzan cuando la temperatura de operación se mantiene entre 17 °C y 25 °C.
- Garantice que el área de instalación tenga suficiente espacio para mantenimiento y ventilación del sistema UPS. Mantenga una distancia libre mínima de 500 mm [20"] desde la parte posterior y ambos costados del UPS y 600 mm [23.6"] desde el frente para fines de mantenimiento, acceso y ventilación.
- No instale el UPS cerca de medios de almacenamiento magnéticos, ya que puede causar la corrupción de los datos.

2.2 Advertencias para la Conexión del Equipo

- No se recomienda el uso de este equipo en aplicaciones de soporte de vida en donde razonablemente se pueda esperar que la falla de este equipo cause la falla del equipo de soporte de vida o afecte significativamente su seguridad o efectividad.
- **¡PRECAUCIÓN! Riesgo de descarga eléctrica** – Peligrosas partes electrizadas dentro de la unidad están energizadas desde la alimentación de la batería externa incluso cuando la alimentación de CA de entrada está desconectada de una fuente de alimentación de CA.

2.3 Advertencias de la Batería



Este UPS contiene VOLTAJES LETALES. El UPS está diseñado para suministrar energía incluso cuando esté desconectado del suministro de energía. Únicamente PERSONAL DE SERVICIO AUTORIZADO debe acceder al interior del UPS después de desconectar la energía de la red pública o de CD.



Las baterías presentan un riesgo de descarga eléctrica y quemaduras por la alta corriente de cortocircuito. La conexión y reemplazo de la batería debe llevarse a cabo sólo por personal de servicio calificado que observe las precauciones apropiadas. Apague el UPS antes de conectar o desconectar las baterías externas. Use herramientas con mangos aislados. No abra las baterías. No ponga en corto o puentee las terminales de la batería con ningún objeto.

- Las baterías son reciclables. Para información sobre el reciclado, consulte los códigos locales para los requisitos en cuanto a eliminación o visite tripplite.com/support/recycling-program.
- No arroje las baterías al fuego, ni mutile las baterías ni abra las cubiertas de la batería. Los electrolitos que escapan pueden ser tóxicos y causar lesiones a la piel y ojos.
- No desconecte las baterías mientras el UPS esté en modo de respaldo por batería.
- Desconecte la fuente de carga antes de conectar o desconectar las terminales.
- Deben observarse las siguientes precauciones:
 - 1) Retire relojes, anillos y otros objetos metálicos.
 - 2) Use herramientas con mangos aislados.
 - 3) Use guantes de hule y botas de grado eléctrico.
 - 4) Use un tapete de hule de grado eléctrico mientras da servicio a las baterías.
 - 5) No ponga herramientas o piezas metálicas sobre las baterías o los gabinetes de las baterías.

2. Advertencias de Seguridad Importantes

- 6) Determine si la alimentación de batería (+, -, N) se ha conectado a tierra de forma inadvertida. De ser así, elimine la fuente de la conexión a tierra. Hacer contacto con cualquier parte de una batería conectada a tierra puede causar una descarga eléctrica. La posibilidad de una descarga se reduce si las conexiones a tierra son eliminadas durante la instalación y mantenimiento.
- El reemplazo de la batería debe realizarlo solo el personal de servicio autorizado usando el mismo número y tipo de baterías (plomo ácido selladas).



ADVERTENCIA: A fin de evitar cualquier condición riesgosa durante la instalación y mantenimiento del UPS, estas tareas pueden ejecutarse solamente por personal calificado y electricistas expertos.

Antes de instalar o usar la unidad, lea cuidadosamente este Manual del Propietario y las instrucciones de seguridad.

2.4 Transporte y Almacenamiento

- ⚠ Para protegerlo contra golpes e impactos, transporte el sistema UPS únicamente en el empaque original.
- ⚠ El UPS debe almacenarse en un cuarto seco y ventilado.

2.5 Preparación

- ⚠ Si el sistema UPS se mueve de un ambiente frío a uno caliente, puede producirse condensación. El sistema UPS debe estar completamente seco antes de instalarse. Permita al menos dos horas para que el sistema UPS se adapte al ambiente.
- ⚠ No instale el sistema UPS cerca del agua o en ambientes húmedos.
- ⚠ No instale el sistema UPS en la luz solar directa o cerca de fuentes de calor.
- ⚠ No bloquee los orificios de ventilación en el gabinete del sistema UPS.

2.6 Instalación

- ⚠ No conecte aparatos o dispositivos que puedan sobrecargar el UPS (es decir, equipo con motores eléctricos) a los contactos o terminales de salida del UPS.
- ⚠ Ordene cuidadosamente los cables de modo que nadie pueda pisarlos o tropezar con ellos.
- ⚠ No bloquee las ventilas de aire del sistema UPS. El UPS debe instalarse en una ubicación con buena ventilación. Garantice espacio de ventilación adecuado a cada lado de la unidad.
- ⚠ El UPS contiene una terminal de conexión a tierra. En la configuración final del sistema instalado, asegure un aterrizado equipotencial al gabinete de batería externa del UPS interconectando las terminales de tierra de ambos gabinetes.
- ⚠ El UPS debe ser instalado solamente por personal de servicio de mantenimiento eléctrico calificado.
- ⚠ En la instalación de cableado del edificio, debe proporcionarse un dispositivo adecuado de desconexión como protección de respaldo contra cortocircuito.
- ⚠ En la instalación de cableado del edificio, debe incluirse un dispositivo integral único de apagado de emergencia.
- ⚠ Conecte la tierra física antes de conectar a la terminal de cableado del edificio.
- ⚠ La instalación y cableado deben ejecutarse de acuerdo con los códigos y reglamentos eléctricos locales.

2. Advertencias de Seguridad Importantes

2.7 Advertencias sobre la Conexión

- Este UPS debe conectarse con un sistema de conexión en tierra TN.
 - La fuente de alimentación para esta unidad debe estar especificada trifásica de acuerdo con la placa de identificación del equipo. Además, debe estar aterrizada correctamente.
 - La alimentación de entrada a modelos UPS trifásicos requiere de un breaker de 3 polos.
 - No se recomienda el uso de este equipo en aplicaciones de soporte de vida en donde razonablemente se pueda esperar que la falla de este equipo cause la falla del equipo de soporte de vida o afecte significativamente su seguridad o efectividad.
 - El UPS está conectado a una fuente de energía de CD (batería). Las terminales de salida aún pueden estar energizadas, aún cuando el UPS no esté conectado a una alimentación de CA.
- ⚠ Al instalar la unidad, verifique que cualquier panel de derivación de mantenimiento usado esté correctamente configurado antes de aplicar energía a la unidad.
- No olvide colocar una etiqueta de advertencia en todos los aisladores de energía primaria instalados remotamente de la zona de UPS y en cualquier punto de acceso externo entre dichos aisladores y el UPS. La etiqueta de advertencia deberá llevar la siguiente redacción o equivalente:

Antes de trabajar sobre este circuito

- Aísle el Sistema de Respaldo Ininterrumpible [UPS]
- Luego revise si hay voltaje peligroso entre todas las terminales incluyendo la toma de tierra.



Riesgo de Retroalimentación de Voltaje

- Estos modelos de UPS incluyen un conector de contacto seco con protección antirretorno. El conector con protección antirretorno para modelos de 25kVA a 60kVA está ubicado en la parte posterior de la unidad. El conector con protección antirretorno para modelos de 80kVA a 100kVA está ubicado en el frente de la unidad.

2.8 Operación

- ⚠ No desconecte en ningún momento el cable conductor de tierra en el UPS o las terminales de cableado del edificio, ya que esto cancelará la conexión protectora a tierra del sistema UPS.
- ⚠ A fin de desconectar completamente el sistema UPS, refiérase a la sección **4.2.2 Apagado del UPS**, a continuación desconecte la alimentación de la red pública.
- ⚠ Asegúrese que no puedan entrar líquidos u otros objetos extraños en el sistema UPS.

2.9 Cumplimiento del Estándar

Este producto cumple con las siguientes normas de seguridad y estándares de inspección de compatibilidad electromagnética (EMC):

- UL 1778
- CSA C22.2 N° 107.3
- FCC Parte 15 Clase A

3. Instalación y Cableado

3.1 Advertencia de Seguridad Importante

Lea detenidamente este manual antes de realizar cualquier instalación y cableado. Un ingeniero autorizado de Tripp Lite debe llevar a cabo la puesta en marcha del UPS y un formato de puesta en marcha completo debe ser devuelto a Tripp Lite para activar la garantía del SmartOnline S3M. Para detalles adicionales, póngase en contacto con su proveedor local o support@tripplite.com Para ubicar a su contacto local, vaya a tripplite.com/support/contacts y haga click en "Centros de Servicio".

3.2 Inspección del Empaque

3.2.1 Inspección Externa

Inspeccione el empaque exterior del UPS. Si se observa algún daño, compruebe la etiqueta adhesiva "Tip 'N Tell" en el empaque del UPS para ver si la caja del UPS fue inclinada. Si se inclinó, póngase en contacto de inmediato con el distribuidor al que le compró el UPS.

3.2.2 Inspección Interna

1. Revise la etiqueta de clasificación en la parte superior del gabinete del UPS y cerciórese que el número de dispositivo y la capacidad coincidan con lo que usted pidió.
2. Examine si hay partes flojas o dañadas.
3. El paquete del UPS contiene los elementos que se relacionan a continuación. Por favor, compruebe si faltan elementos.
4. Si algo falta o está dañado, póngase en contacto de inmediato con el distribuidor a quien le compró el UPS.
5. Si el UPS debe ser devuelto, cuidadosamente re-empaque el UPS y todos los accesorios usando el material original de embalaje incluido con la unidad.

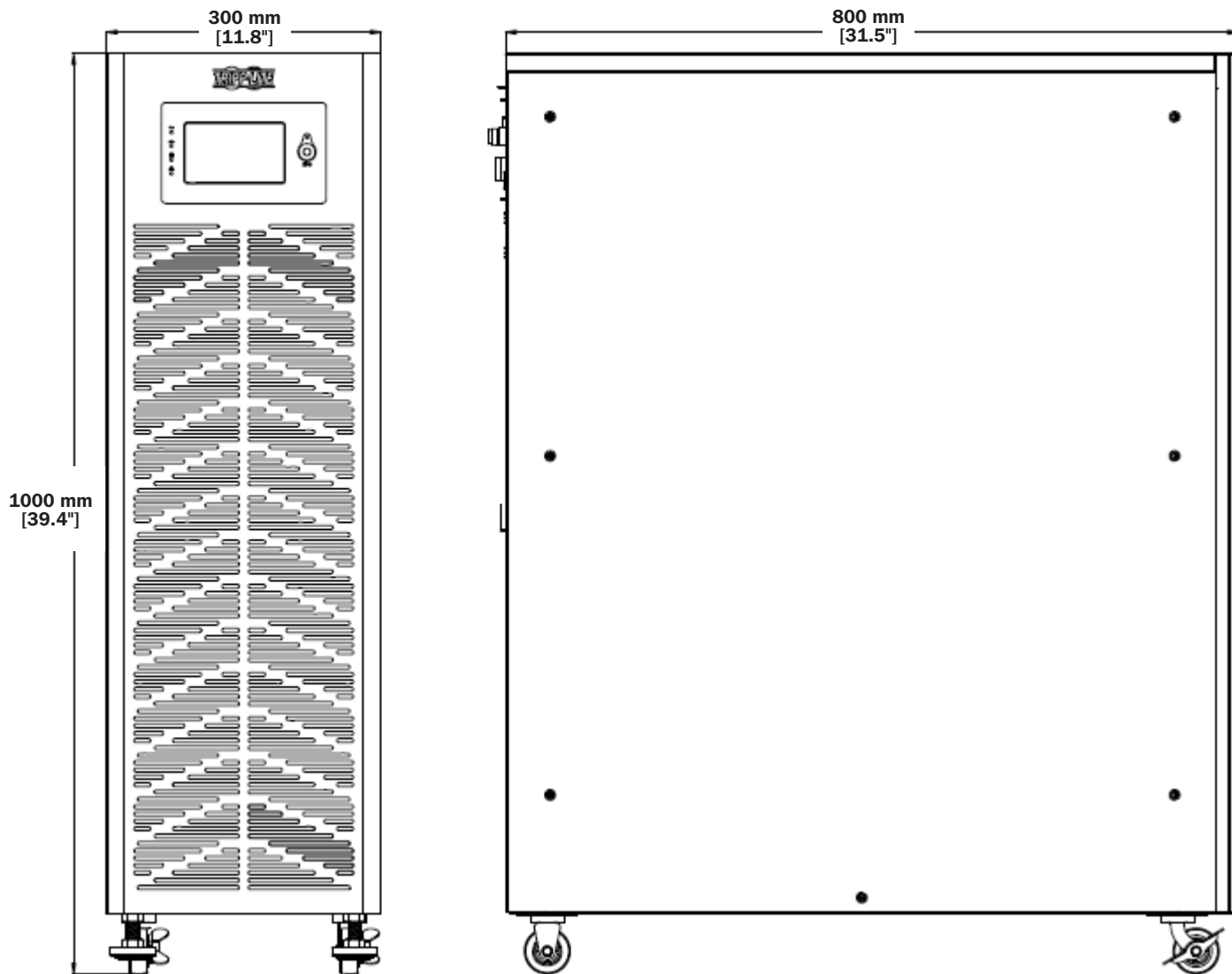
3.2.3 Contenido del Empaque

- UPS
- Cable USB, 1.5 m (5 pies)
- Cable RS-232 (Macho / Hembra), 1.5 m (5 pies)
- Cable Paralelo (Macho / Hembra), 1.5 m (5 pies)
- Conector de Contacto Seco (Verde)
- Manual del Propietario

3. Instalación y Cableado

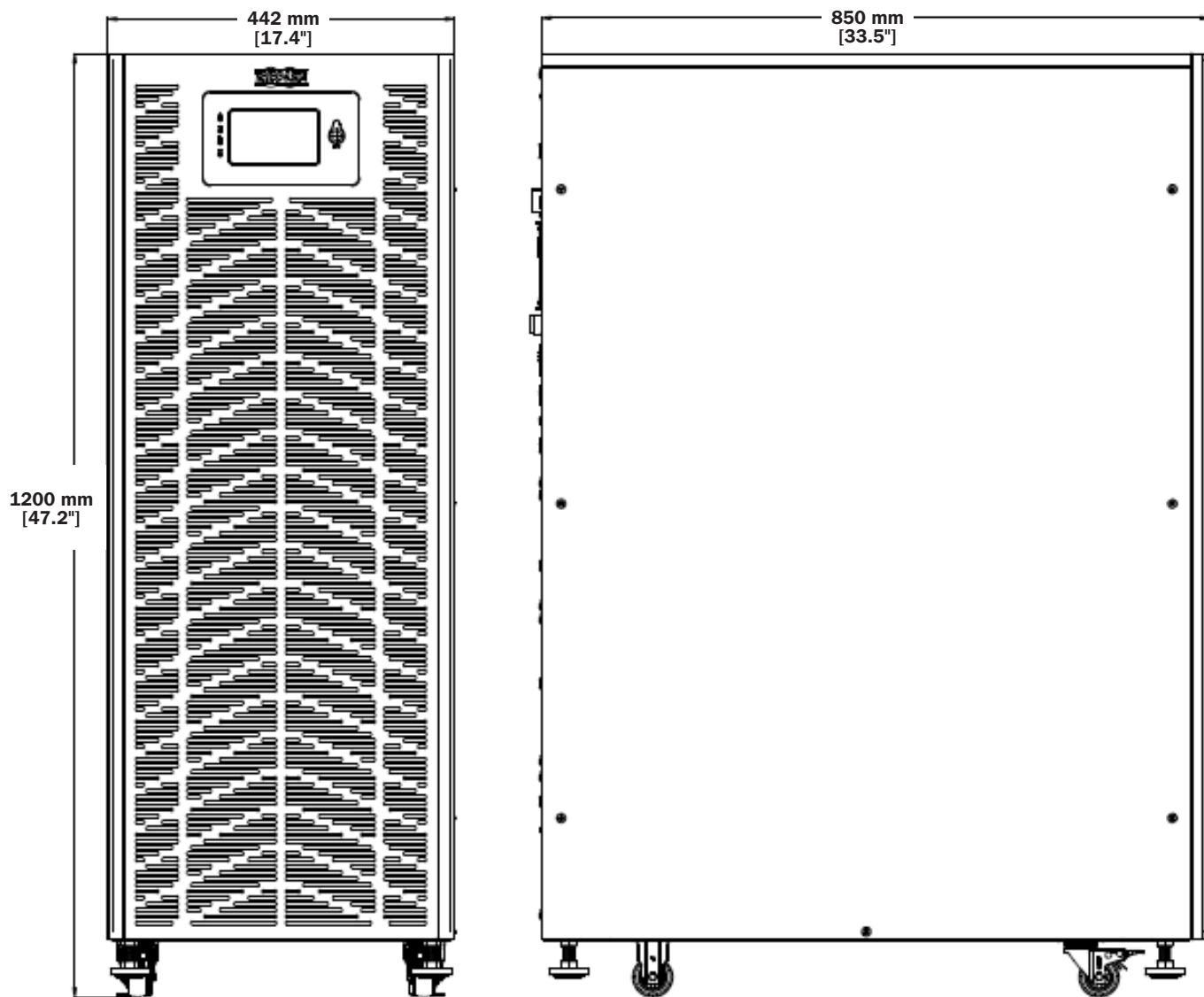
3.3 Datos Mecánicos

3.3.1 Dimensiones para los modelos S3M25K y S3M30K



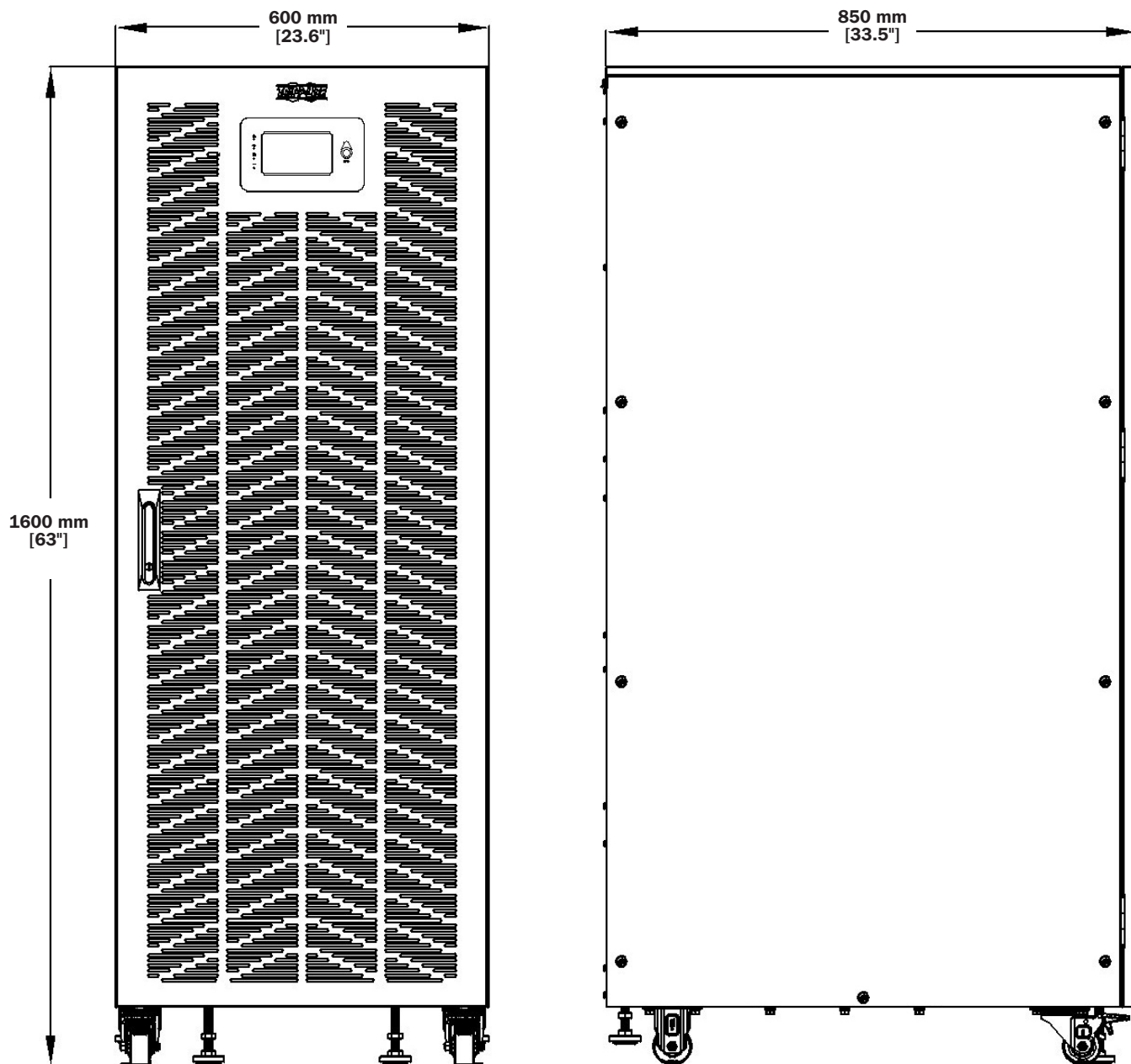
3. Instalación y Cableado

3.3.2 Dimensiones para los modelos S3M50K y S3M60K



3. Instalación y Cableado

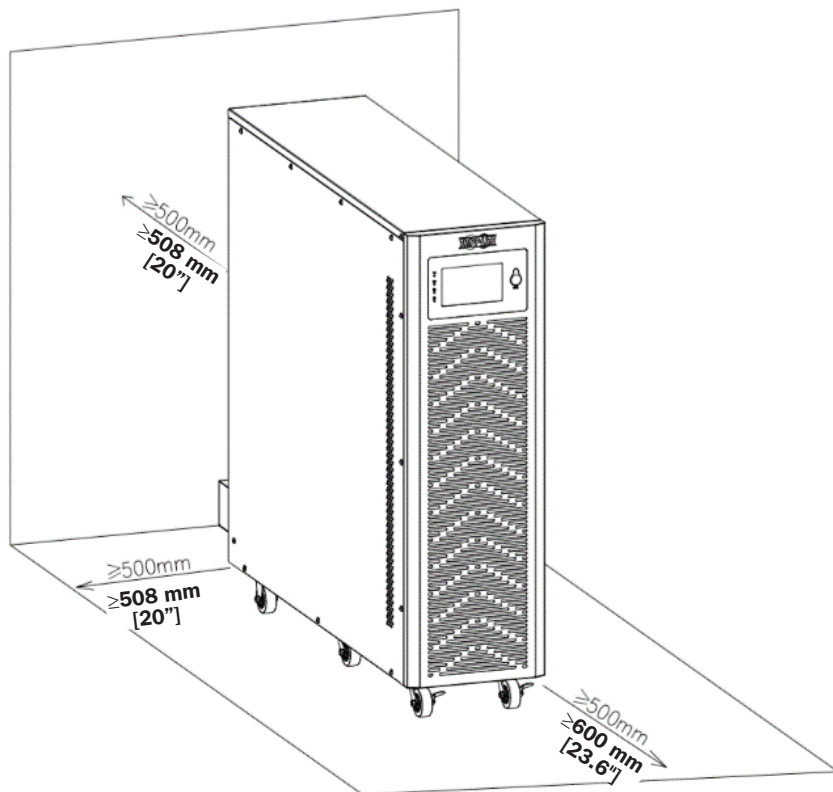
3.3.3 Dimensiones para los modelos S3M80K y S3M100K



3. Instalación y Cableado

3.3.4 Requerimientos Físicos

Deje un mínimo de 51 cm [20"] alrededor de los lados delantero, trasero e izquierdo del gabinete para operación y ventilación.



3. Instalación y Cableado

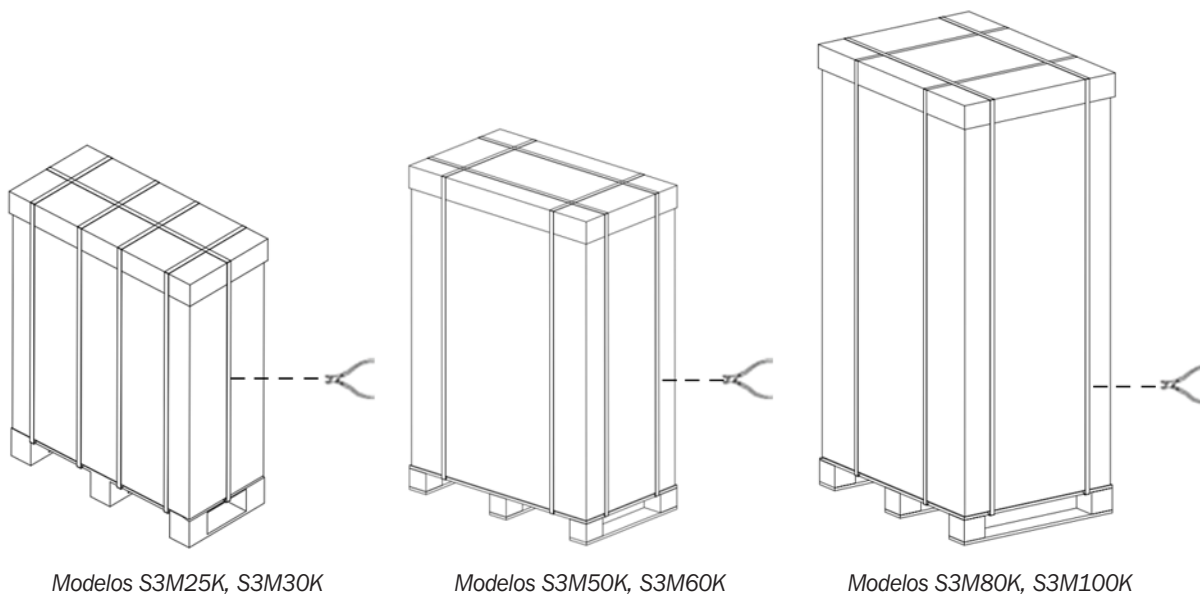
3.4 Desempacado del UPS

Notas:

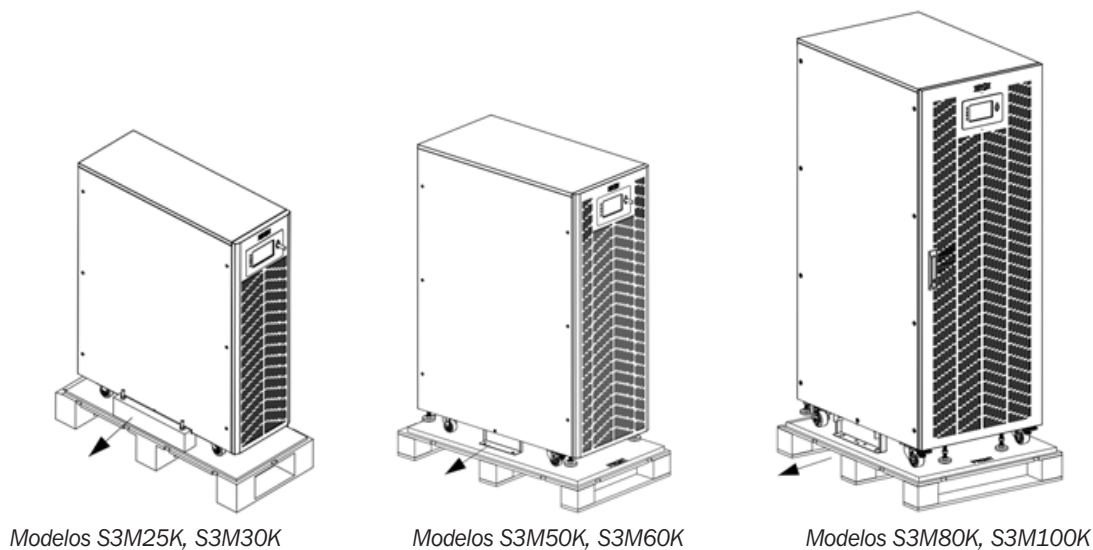
- No incline ni ladee el UPS al retirarlo del empaque.
- Asegúrese de que el UPS no se haya dañado durante el transporte (consulte la sección **3.2.1 Inspección Externa**). Si se observa algún daño, no encienda la unidad. Comuníquese inmediatamente con el distribuidor al que le compró el UPS.

Para desempacar el UPS:

1. Use un montacargas para transportar el UPS a la posición de instalación.
2. Revise el empaque del UPS.
3. Mantenga estable la placa deslizante. Corte y retire el envoltorio externo.

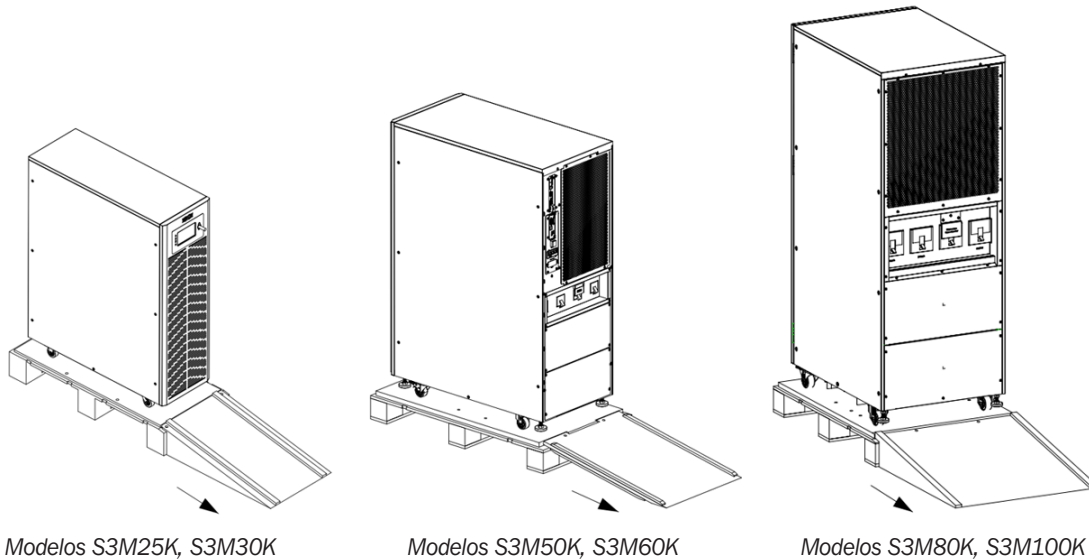


4. Retire la bolsa de plástico y saque la caja de accesorios.
5. Compruebe que el UPS esté intacto. Inspeccione visualmente el UPS para detectar daños aparentes en el embarque. Si la unidad está dañada, notifique de inmediato al transportista. Verifique los accesorios contra la lista de empaque. En caso de piezas faltantes, póngase en contacto con su distribuidor.
6. Retire los tornillos y retire la barra de madera u hoja metálica fijada al gabinete.



3. Instalación y Cableado

7. Deslice lentamente la unidad de la tarima.



3.5 Descripción General

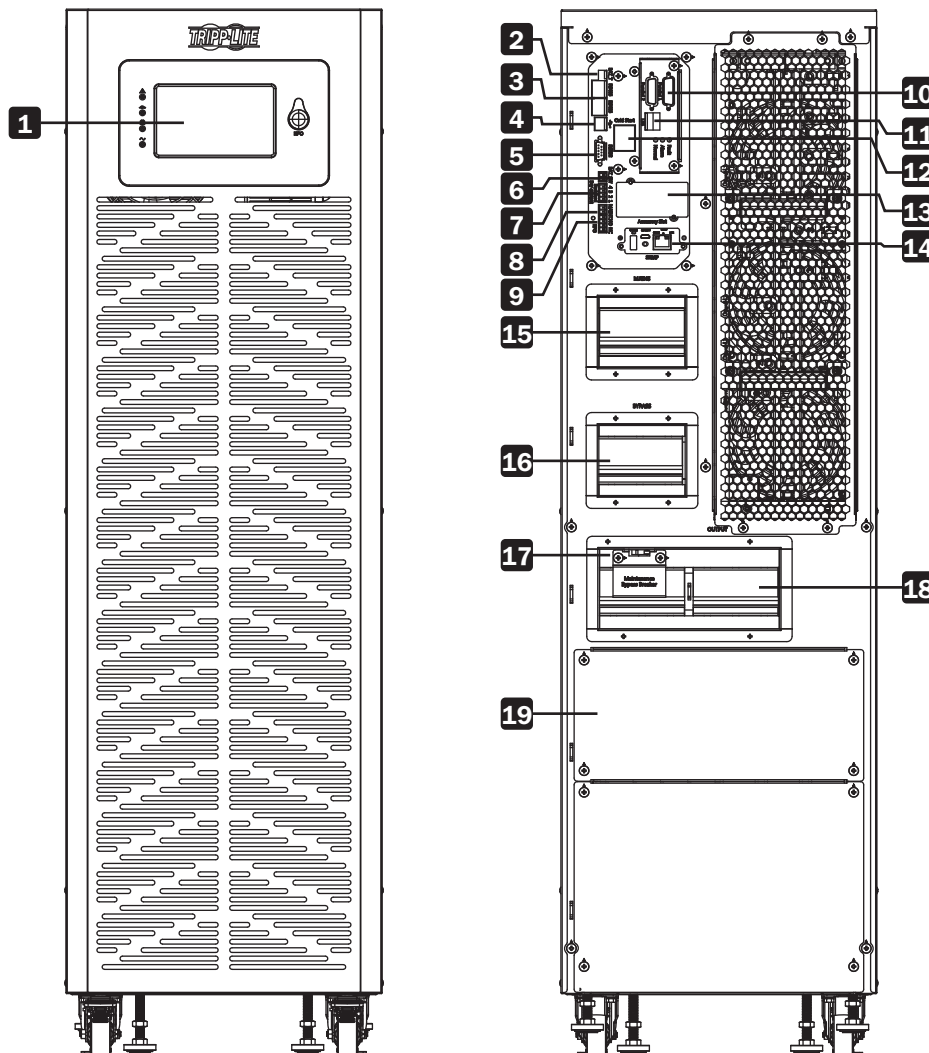


Figura 3-1: Frontal y Posterior, modelos S3M25K y S3M30K (para explicación de llamada, consulte la página 15)

3. Instalación y Cableado

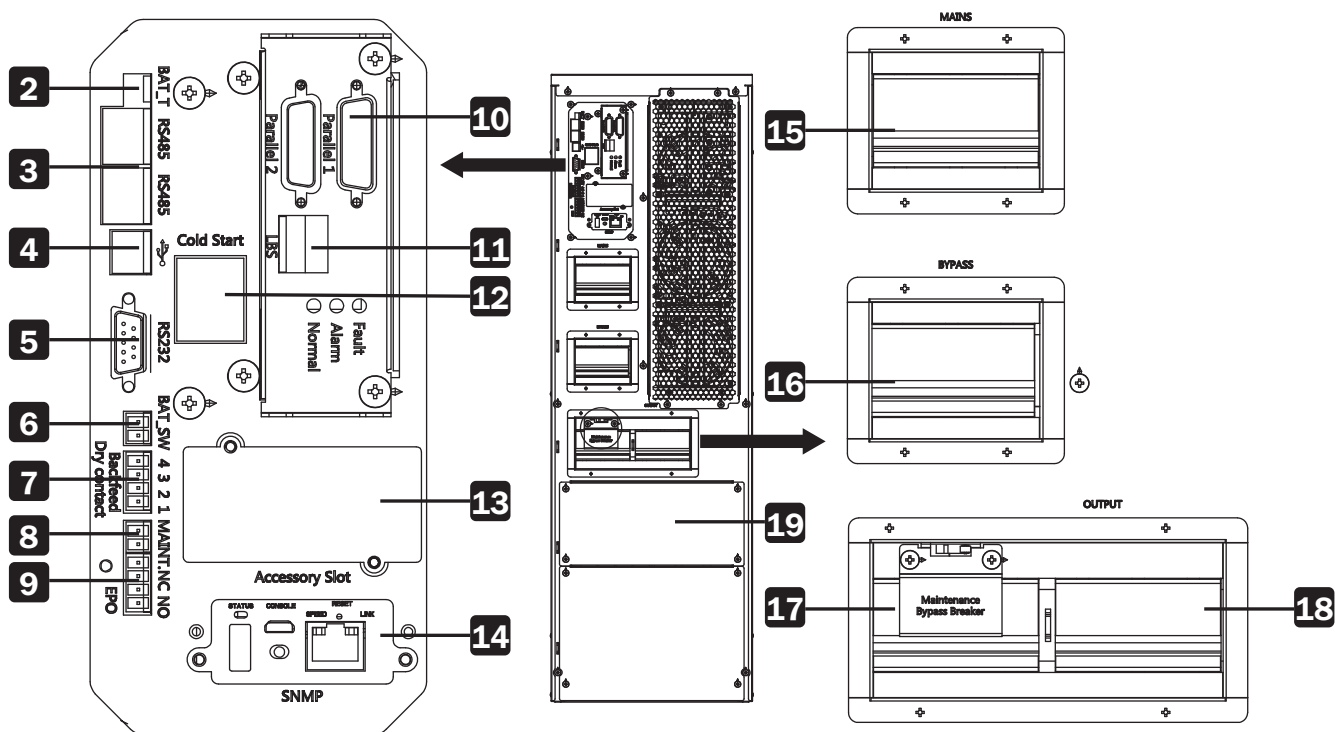


Figura 3-2: Detalle de Vista Posterior, Modelos S3M25K y S3M30K

- | | |
|--|--|
| 1 Panel LCD | 10 Puerto para Conexión en Paralelo |
| 2 Sensor de Temperatura de la Batería (NTC) | 11 Puerto LBS |
| 3 Puerto RS-485 (MODBUS o Termostato de Batería) | 12 Botón de Arranque en Frío |
| 4 Puerto USB | 13 Ranura para tarjetas |
| 5 Puerto RS-232 | 14 Tarjeta de Administración de Red WEBCARDLX |
| 6 BAT_SW: Detección del Estado del Breaker de la Batería* | 15 Breaker de Alimentación de la Red Pública |
| 7 Puerto de Protección contra Retroalimentación | 16 Breaker de Derivación |
| 8 Puerto MAINTAIN-AUXSWS** | 17 Breaker para Mantenimiento |
| 9 Puerto REPO | 18 Breaker de Salida |
| | 19 Bloque de Terminales |

* Detección del Estado del Breaker de la Batería. Conecte el contacto auxiliar del breaker de la batería al puerto BAT_SW en el UPS y active la función. El UPS detectará el estado del breaker de la batería (cerrado o abierto) y lo mostrará en el LCD (Breaker de Batería Seca).

** Detección del Estado del Breaker Externo de Mantenimiento. Conecte el contacto auxiliar del breaker de mantenimiento externo al puerto MAINTAIN-AUXSWS en el UPS y active la función. El UPS detectará el estado del breaker de mantenimiento externo (cerrado o abierto) y lo mostrará en el LCD (Breaker MBS Seco).

3. Instalación y Cableado

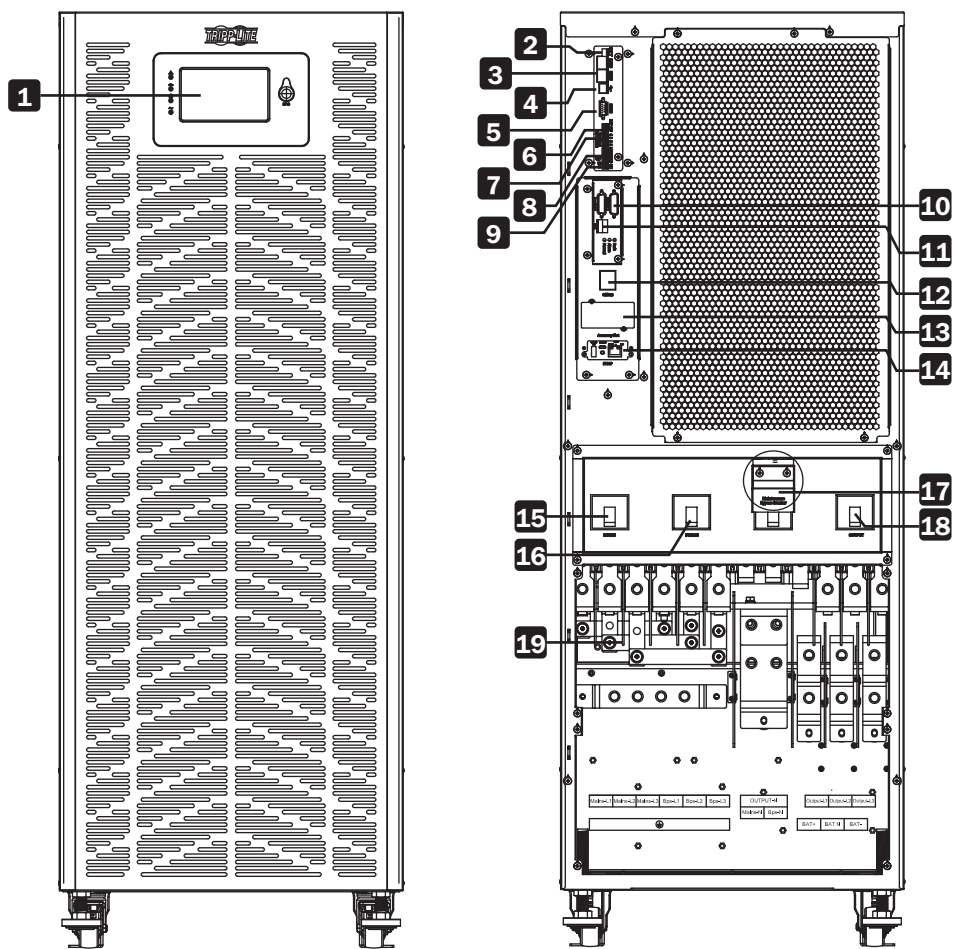


Figura 3-3: Frontal y Posterior, Modelos S3M50K y S3M60K (para obtener explicación de la llamada, consulte la página 17)

3. Instalación y Cableado

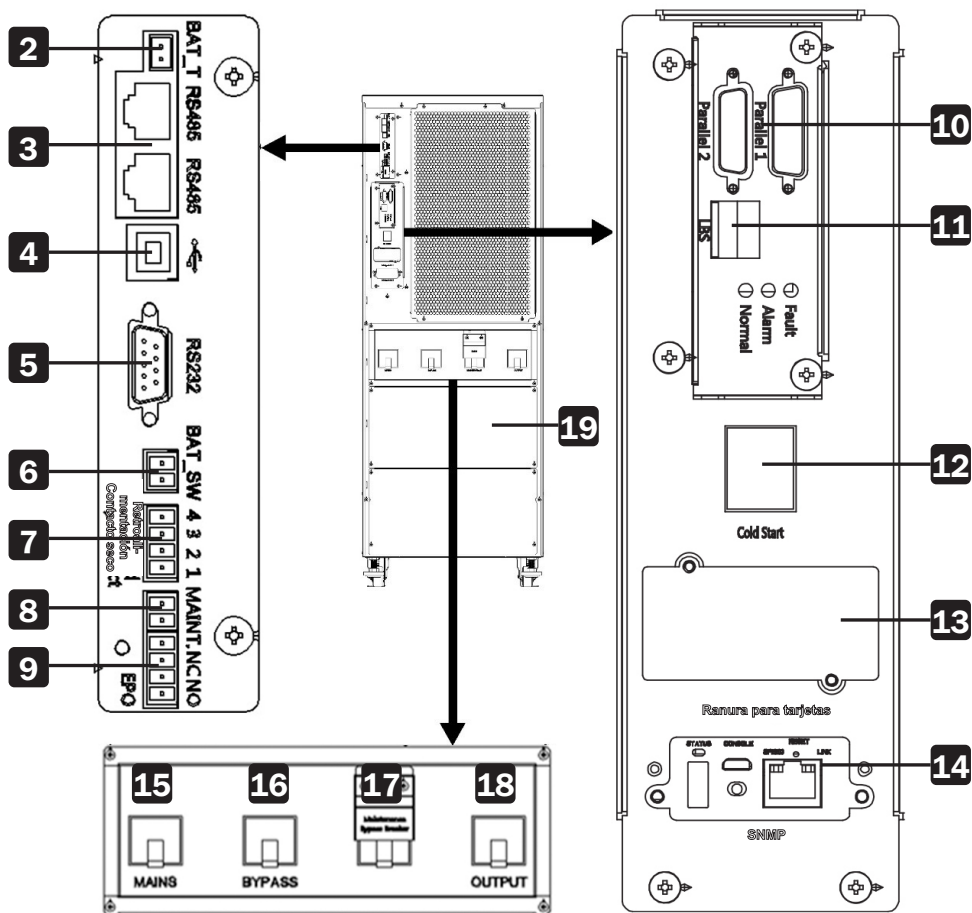


Figura 3-4: Detalle de la Vista Posterior, Modelos S3M50K y S3M60K

- | | |
|---|--|
| <ul style="list-style-type: none"> 1 Panel LCD 2 Sensor de Temperatura de la Batería (NTC) 3 Puerto RS-485 (MODBUS o Termostato de Batería) 4 Puerto USB 5 Puerto RS-232 6 BAT_SW: Detección del Estado del Breaker de la Batería* 7 Puerto de Protección contra Retroalimentación 8 Puerto MAINTAIN-AUXSWS** 9 Puerto REPO | <ul style="list-style-type: none"> 10 Puerto para Conexión en Paralelo 11 Puerto LBS 12 Botón de Arranque en Frío 13 Ranura para tarjetas 14 Tarjeta de Administración de Red WEBCARDLX 15 Breaker de Alimentación de la Red Pública 16 Breaker de Derivación 17 Breaker para Mantenimiento 18 Breaker de Salida 19 Bloque de Terminales |
|---|--|

* Detección del Estado del Breaker de la Batería. Conecte el contacto auxiliar del breaker de la batería al puerto BAT_SW en el UPS y active la función. El UPS detectará el estado del breaker de la batería (cerrado o abierto) y lo mostrará en el LCD (Breaker de Batería Seca).

** Detección del Estado del Breaker Externo de Mantenimiento. Conecte el contacto auxiliar del breaker de mantenimiento externo al puerto MAINTAIN-AUXSWS en el UPS y active la función. El UPS detectará el estado del breaker de mantenimiento externo (cerrado o abierto) y lo mostrará en el LCD (Breaker MBS Seco).

3. Instalación y Cableado

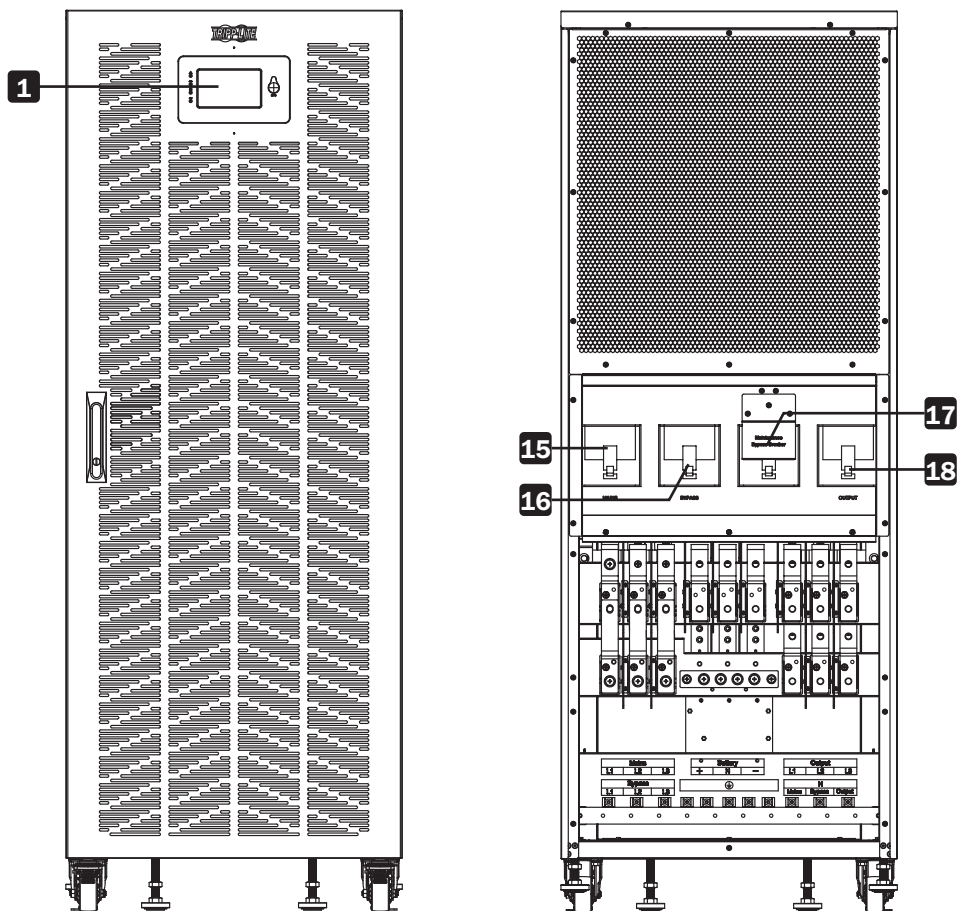


Figura 3-5: Frontal y Posterior, Modelos S3M80K y S3M100K (para explicación de llamada, consulte la página 19)

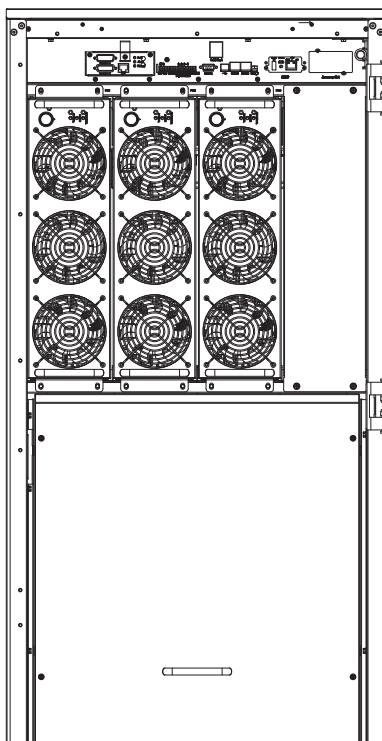


Figura 3-6: Modelo S3M80K con Puerta Frontal Abierta. (El Modelo S3M100K se ve similar, pero con un módulo de potencia adicional con 3 ventiladores.)

3. Instalación y Cableado

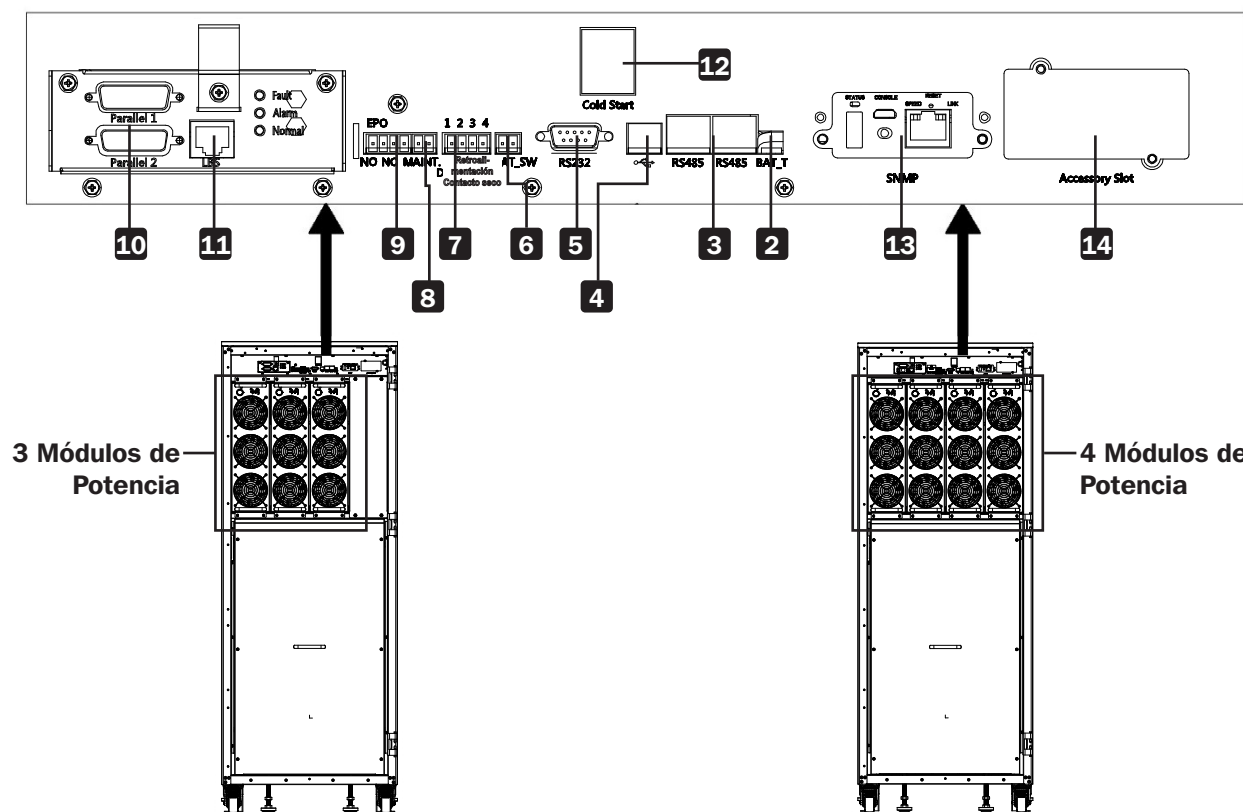


Figura 3-7: Detalle de Vista Frontal, Modelo S3M80K

Figura 3-8: Detalle de Vista Frontal, Modelo S3M100K

- | | |
|---|--|
| <ul style="list-style-type: none"> 1 Panel LCD 2 Sensor de Temperatura de la Batería (NTC) 3 Puerto RS-485 (MODBUS o Termostato de Batería) 4 Puerto USB 5 Puerto RS-232 6 BAT_SW: Detección del Estado del Breaker de la Batería* 7 Puerto de Protección contra Retroalimentación 8 Puerto MAINTAIN-AUXSWS** 9 Puerto REPO | <ul style="list-style-type: none"> 10 Puerto para Conexión en Paralelo 11 Puerto LBS 12 Botón de Arranque en Frío 13 Tarjeta de Administración de Red WEBCARDLX 14 Ranura para tarjetas 15 Breaker de Alimentación de la Red Pública 16 Breaker de Derivación 17 Breaker para Mantenimiento 18 Breaker de Salida |
|---|--|

* Detección del Estado del Breaker de la Batería. Conecte el contacto auxiliar del breaker de la batería al puerto BAT_SW en el UPS y active la función. El UPS detectará el estado del breaker de la batería (cerrado o abierto) y lo mostrará en el LCD (Breaker de Batería Seca).

** Detección del Estado del Breaker Externo de Mantenimiento. Conecte el contacto auxiliar del breaker de mantenimiento externo al puerto MAINTAIN-AUXSWS en el UPS y active la función. El UPS detectará el estado del breaker de mantenimiento externo (cerrado o abierto) y lo mostrará en el LCD (Breaker MBS Seco).

3. Instalación y Cableado

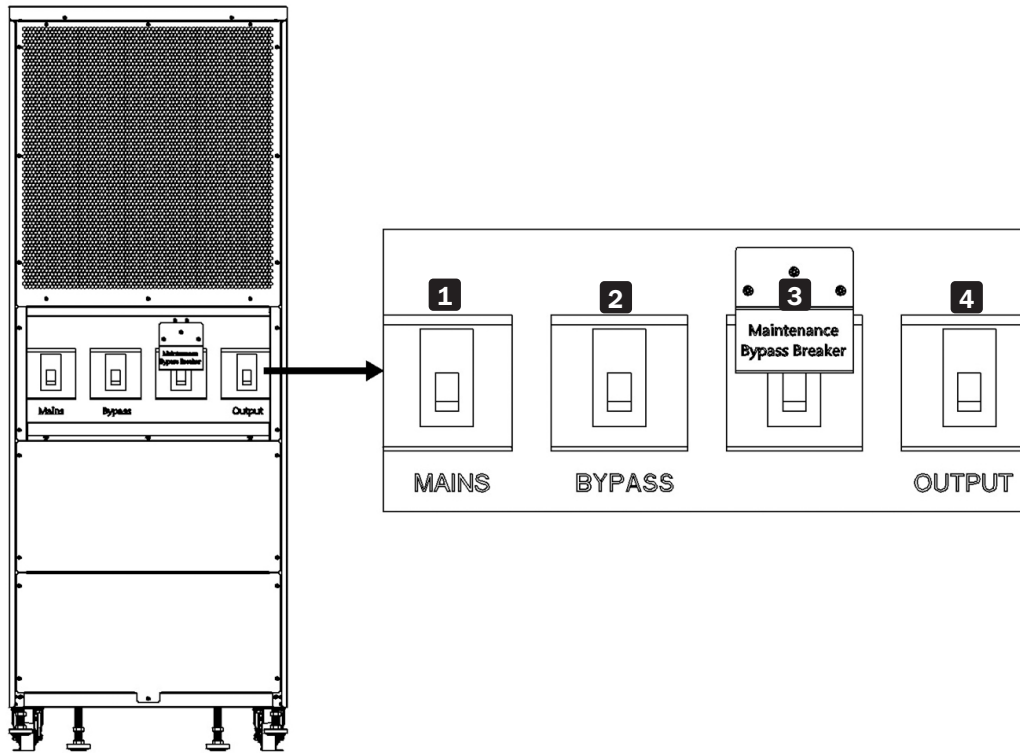


Figura 3-9: Detalle de Vista Posterior, Modelos S3M80K y S3M100K

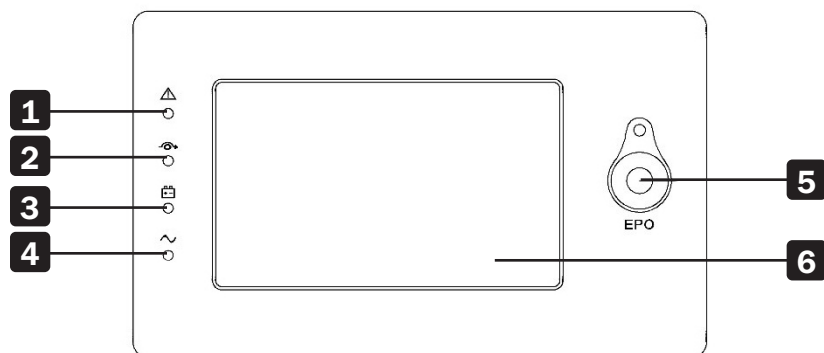
- 1** Breaker de Alimentación de la Red Pública
- 2** Breaker de Derivación
- 3** Breaker para Mantenimiento
- 4** Breaker de Salida

3. Instalación y Cableado

3.6 Panel de Control LCD, LEDs y Alarmas

3.6.1 Introducción: Pantalla LCD

Para información detallada sobre las funciones del Panel de Control del LCD, consulte las secciones **4.3.2 Introducción del Panel de Control del LCD** y **4.3.3 Página Principal: Pantalla Predeterminada**.



1 LED de Alarma

2 LED de Derivación

3 LED de la Batería [En Respaldo]

4 LED del Inversor

5 Botón EPO (el botón debe oprimirse por al menos 3 segundos para activar EPO)

6 Pantalla LCD Táctil, 127 mm [5"]

3.6.2 Introducción: Alarmas Acústicas y LEDs

	Alarmas Acústicas		LEDs de Pantalla			
	Estado de la Alarma	¿Silenciable Encendido / Apagado?	Alarma	Derivación	Batería	Inversor
Inicialización del UPS	Suena un Bip, Una Vez	No	Destella/0.5s	Destella/0.5s	Destella/0.5s	Destella/0.5s
Modo en Línea del UPS (Normal)	Sin Bips	Sin Bips	Apagado	Apagado	Apagado	Encendido
Modo de Respaldo por Batería del UPS	Bip/2s	Sí	Apagado	Apagado	Encendido	Apagado
Modo de Prueba de la Batería del UPS	Sin Bips	Sin Bips	Apagado	Apagado	Encendido	Apagado
Modo ECO del UPS	Sin Bips	Sin Bips	Apagado	Encendido	Apagado	Apagado
Modo en Espera del UPS	Sin Bips	Sin Bips	Apagado	Apagado	Apagado	Apagado
Modo de Derivación Estática del UPS	Sin Bips	Sin Bips	Apagado	Encendido	Apagado	Apagado
Modo en Derivación para Mantenimiento del UPS	Sin Bips	Sin Bips	Apagado	Encendido	Apagado	Apagado
Modo de Convertidor de Frecuencia del UPS	Sin Bips	Sin Bips	Apagado	Apagado	Apagado	Encendido
Sobrecarga del UPS	Bip/1s	Sí	Apagado	Apagado	Apagado	Destella/2s
Advertencias del UPS	Bip/2s o Bip/1s	Sí	Destella/2s	Destella/2s	Apagado	Encendido
Fallas del UPS	Bip/2s o Bip/1s	Sí	Encendido	Encendido	Apagado	Apagado

3. Instalación y Cableado

3.7 Notas para Instalación

- Coloque el gabinete de baterías en un entorno limpio y estable. Evite vibraciones, polvo, humedad, gases inflamables, líquidos y corrosivos. Si el UPS operará en un ambiente polvoriento, pueden ser necesarios filtros de aire adicionales. Para obtener más información sobre filtros de aire para el UPS, póngase en contacto con tripplite.com/support.
- La temperatura ambiental alrededor del UPS debe mantenerse en el rango de 0 °C a 40 °C [32 °F a 104 °F]. Si la temperatura excede este rango, la capacidad de carga especificada debe reducirse en 12% para 5 °C [9 °F]. Para ayudar a evitar altas temperaturas en la sala donde esté instalado el UPS, se recomiendan ventiladores extractores y/o sistemas de enfriamiento. No opere el UPS en un ambiente de más de 50 °C [122 °F].
- Si el UPS es instalado o desinstalado a bajas temperaturas, puede ocurrir condensación de humedad. No instale el UPS a menos que todas las partes internas y externas estén completamente secas. De lo contrario, existe el peligro de una descarga eléctrica.
- Las baterías deben instalarse en un ambiente en donde la temperatura esté dentro de las especificaciones requeridas. La temperatura es un factor clave para determinar la vida y capacidad de la batería. La temperatura de la batería debe mantenerse entre 20 °C y 25 °C [59 °F y 77 °F]. Mantenga las baterías alejadas de fuentes de calor, áreas de ventilación del aire principal, etc.



¡PRECAUCIÓN!

Los datos típicos de rendimiento de la batería reflejan una temperatura de operación entre 20 °C y 25 °C [59 °F y 77 °F]. Operar el UPS por encima de este rango reducirá la vida de la batería, mientras que operar el UPS por debajo de este rango reducirá la capacidad de la batería.

- Si el UPS no se instalará de inmediato, debe almacenarse en un cuarto sin calor o humedad excesivos.



¡PRECAUCIÓN!

Una batería sin usar debe recargarse cada 6 meses. Conecte temporalmente el UPS a una alimentación adecuada de CA y actívelo por el tiempo necesario para cargar completamente las baterías.

- La altitud mayor a la que el UPS puede trabajar normalmente con carga completa es de 1000 metros. La capacidad de carga debe reducirse cuando este UPS esté instalado en su sitio cuya altitud sea superior a 1000 metros, mostrada como la siguiente tabla:

(el coeficiente de carga equivale a la carga máxima en un lugar de alta altitud dividido por la potencia nominal del UPS)

Altitud	[3,281 pies] 1,000 m	[4,921 pies] 1,500 m	[6,562 pies] 2,000 m	[8,202 pies] 2,500 m	[9,843 pies] 3,000 m	[11,483] 3,500 m	[13,124 pies] 4,000 m	[14,764 pies] 4,500 m	[16,404 pies] 5,000 m
Coefficiente de Carga	100%	95%	90%	85%	80%	75%	70%	65%	60%

- El UPS debe mantenerse en un área con buena ventilación. Los orificios de ventilación en el frente y la parte posterior del UPS no deben bloquearse.

3.8 Dispositivos Protectores Externos

Por razones de seguridad, es necesario instalar un breaker externo en la entrada de CA de la red pública y en la batería.

3.8.1 Batería Externa

El UPS y sus baterías conectadas están protegidos contra los efectos de sobrecorriente a través de un breaker termomagnético compatible con CD ubicado cerca de la batería.

3.8.2 Salida del UPS

Cualquier tablero de distribución externo usado para distribución de carga deberá estar equipado con dispositivos protectores a fin de evitar el riesgo de sobrecarga del UPS.

3. Instalación y Cableado

3.8.3 Protección contra Sobrecorriente



¡PRECAUCIÓN!

- El cableado debe ser realizado por personal profesional calificado.
- Antes de cablear o de realizar cualquier conexión eléctrica, asegúrese de que la energía suministrada a la entrada y salida del UPS esté totalmente cortada y estén desconectados los conectores de la batería interna.
- Cuando se conecte el UPS a la energía de CA de la red pública, deben instalarse dispositivos protectores y conectores de 3 polos. Los dispositivos protectores y los conectores de 3 polos deben usar componentes aprobados que cumplan con certificaciones de seguridad. Los breakers termomagnéticos deben ser IEC 60947-2 con curva de disparo C (normal). Refiérase al contenido siguiente para ver los dispositivos de protección requeridos:

UPS de 25kVA: se requiere un breaker de entrada de 100A.

UPS de 30kVA: se requiere un breaker de entrada de 125A.

UPS de 50kVA: se requiere un breaker de entrada de 200A.

UPS de 60kVA: se requiere un breaker de entrada de 250A.

UPS de 80kVA: se requiere un breaker de entrada de 320A.

UPS de 100kVA: se requiere un breaker de entrada de 400A.

- Al conectar las cargas críticas al UPS, debe instalarse entre ellos un breaker certificado listado. Refiérase al contenido siguiente para ver los breakers requeridos:

UPS de 25kVA: se requiere un breaker de entrada de 100A.

UPS de 30kVA: se requiere un breaker de entrada de 125A.

UPS de 50kVA: se requiere un breaker de entrada de 200A.

UPS de 60kVA: se requiere un breaker de entrada de 250A.

UPS de 80kVA: se requiere un breaker de entrada de 320A.

UPS de 100kVA: se requiere un breaker de entrada de 400A.

- Compruebe que el tamaño, diámetro, fase y polaridad de cada cable que conecta al UPS sea correcto. Para ver las especificaciones de los cables de entrada y salida, refiérase a la tabla en la sección **3.10.1 Cables de Alimentación**.

3.9 Compatibilidad del UPS al Modelo del Gabinete de Baterías

Gabinetes de Baterías con Baterías	BP240V09 / 09K	BP240V40	BP240V40L	BP240V65	BP240V65L	BP240V100	BP240V100L
Gabinetes de Baterías SIN Baterías	BP240V09-NIB	BP240V40-NIB	BP240V40L-NIB	BP240V65-NIB	BP240V65L-NIB	BP240V100-NIB	BP240V100L-NIB
S3M25K, S3M30K	No	Sí	Sí	Sí	Sí	Sí	No
S3M50K	No	No	Sí	Sí	Sí	Sí	Sí
S3M60K	No	No	No	No	Sí	Sí	Sí
S3M80K, S3M100K	No	No	No	No	Sí	No	Sí

Nota: Para información del breaker del gabinete de baterías, consulte el Manual del Propietario para su gabinete de baterías.

3. Instalación y Cableado

3.10 Instalación de un Solo UPS

La instalación y cableado deben ejecutarse de acuerdo con los códigos o reglamentos eléctricos locales y deben ser realizados solamente por personal calificado.

1. Asegúrese de que el cableado y los breakers de la alimentación principal en el edificio puedan soportar la capacidad especificada del UPS para evitar descargas eléctricas o incendios.

Nota: Usar un tomacorrientes de pared como fuente de alimentación de entrada para el UPS puede originar que la toma se quemé o se destruya.

2. Apague el switch de la alimentación principal del edificio antes de la instalación.
3. Apague todos los dispositivos conectados antes de conectarlos al UPS.
4. Prepare los cables de alimentación de acuerdo con las tablas siguientes. Use el apriete recomendado del tornillo instalado, los tamaños del breaker de entrada del UPS y las baterías del gabinete de baterías y los tamaños del breaker como se muestra.

3.10.1 Cables de Alimentación

El diseño del cable debe cumplir con los voltajes y corrientes proporcionados en esta sección. La instalación y cableado deben ejecutarse de acuerdo con los códigos o reglamentos eléctricos locales y deben ser realizados solamente por personal calificado.



¡ADVERTENCIA!

Antes de iniciar, asegúrese de estar atento a la ubicación y operación de los aisladores externos que están conectados al suministro de entrada y derivación del UPS del panel de distribución de la energía de la red pública. Revise para ver si estos suministros están aislados eléctricamente. Publique cualquier señal de advertencia necesaria para evitar cualquier operación inadvertida.

Modelos de UPS	Dimensiones del Cable (mm ²)						Conexión a Tierra (mm ²)
	Entrada de CA (mm ²)		Salida de CA (mm ²)		Entrada de CD (mm ²)		
	L	N	L	N	+/-	N	
S3M25K	25 Máx. 35	50 Máx. 50	25 Máx. 35	50 Máx. 50	50 Máx. 70	50 Máx. 70	16 Máx. 25
S3M30K	35 Máx. 35	50 Máx. 50	35 Máx. 35	50 Máx. 50	50 Máx. 70	50 Máx. 70	25 Máx. 25
S3M50K	70 Máx. 70	120 Máx. 120	50 Máx. 70	95 Máx. 95	120 Máx. 120	95 Máx. 95	35 Máx. 35
S3M60K	95 Máx. 95	70*2 Máx. 150	70 Máx. 70	120 Máx. 120	150 Máx. 150	120 Máx. 120	50 Máx. 50
S3M80K	120 Máx. 120	95*2 Máx. 95*2	95 Máx. 95	70*2 Máx. 70*2	185 Máx. 185	70*2 Máx. 70*2	70 Máx. 70
S3M100K	150 Máx. 150	120*2 Máx. 120*2	120 Máx. 120	95*2 Máx. 95*2	120*2 Máx. 120*2	95*2 Máx. 95*2	95 Máx. 95

Modelos de UPS	Dimensiones del Cable (AWG)						Conexión a Tierra
	Entrada de CA		Salida de CA		Entrada de CD		
	L	N	L	N	+/-	N	
S3M25K	4 AWG Máx. 4 AWG	1/0 AWG Máx. 1/0 AWG	4 AWG Máx. 4 AWG	1/0 AWG Máx. 1/0 AWG	1/0 AWG Máx. 2/0 AWG	1/0 AWG Máx. 2/0 AWG	5 AWG Máx. 4 AWG
S3M30K	2 AWG Máx. 2 AWG	1/0 AWG Máx. 1/0 AWG	2 AWG Máx. 2 AWG	1/0 AWG Máx. 1/0 AWG	1/0 AWG Máx. 2/0 AWG	1/0 AWG Máx. 2/0 AWG	4 AWG Máx. 4 AWG
S3M50K	2/0 AWG Máx. 2/0 AWG	4/0 AWG Máx. 4/0 AWG	1/0 AWG Máx. 2/0 AWG	3/0 AWG Máx. 3/0 AWG	4/0 AWG Máx. 4/0 AWG	3/0 AWG Máx. 3/0 AWG	2AWG Máx. 2AWG
S3M60K	3/0 AWG Máx. 3/0 AWG	2/0 AWG*2 Máx. 2/0 AWG	2/0 AWG Máx. 2/0 AWG	4/0 AWG Máx. 4/0 AWG	2/0 AWG*2 Máx. 2/0 AWG*2	4/0 AWG Máx. 4/0 AWG	1/0 AWG Máx. 1/0 AWG
S3M80K	4/0 AWG Máx. 4/0 AWG	3/0 AWG*2 Máx. 3/0 AWG*2	3/0 AWG Máx. 3/0 AWG	2/0 AWG*2 Máx. 2/0 AWG*2	3/0 AWG*2 Máx. 3/0 AWG*2	2/0 AWG*2 Máx. 2/0 AWG*2	2/0 AWG Máx. 2/0 AWG
S3M100K	2/0 AWG*2 Máx. 150	4/0 AWG*2 Máx. 4/0 AWG*2	4/0 AWG Máx. 4/0 AWG	3/0 AWG*2 Máx. 3/0 AWG*2	4/0 AWG*2 Máx. 120*2	3/0 AWG*2 Máx. 3/0 AWG*2	3/0 AWG Máx. 3/0 AWG

Tabla 3.1: Áreas Transversales Recomendadas para Cables de Alimentación

3. Instalación y Cableado

- Al seleccionar, conectar y enrutar cables de alimentación, siga los códigos y reglamentos eléctricos locales.
- Si las cargas primarias son no lineales, aumente las áreas de sección transversal de cables neutros 1.5-1.7 veces.
 - La corriente nominal de descarga de la batería se refiere a la corriente de cuarenta baterías de 12V a 240V en configuración estándar.
 - La corriente máxima de descarga de la batería se refiere a la corriente con cuarenta baterías de 12V en configuración estándar, es decir, doscientos cuarenta celdas de batería de 2V (1.67V / celda), detenga la descarga.
- Las especificaciones del cable de la batería se seleccionan en base a 20 baterías.
 - Cuando la entrada de la red pública y la entrada en derivación comparten una fuente de alimentación, configure ambos tipos de cables de alimentación como cables de alimentación de la red pública. Los cables listados en la Tabla 3.1 se usan solamente cuando se cumplen los siguientes requisitos:
 - Modo de enrutado: Enrutando los cables sobre la escalerilla de cables o soporte en una sola capa
- La longitud de los cables de alimentación de CA de un UPS no es mayor a 30 m [98 pies]) cables de alimentación CD no más de 50 m [164 pies]).

Modelo	Conector	Modo de Conexión	Tipo de Tornillo	Diámetro del Orificio del Tornillo	Fuerza de Torsión (Apriete)
S3M25K S3M30K	Conector de Entrada de alimentación de la Red Pública	Terminales OT prensados	M8	9 mm	20 N •m
	Conector de Entrada de Derivación	Terminales OT prensados	M8	9 mm	20 N •m
	Conector de Entrada de la Batería	Terminales OT prensados	M10	11 mm	26 N •m
	Conector de Salida	Terminales OT prensados	M8	9 mm	20 N •m
	Conector Neutro	Terminales OT prensados	M8	9 mm	20 N •m
	Conector de Conexión a Tierra	Terminales OT prensados	M8	9 mm	20 N •m
S3M50K S3M60K	Conector de Entrada de alimentación de la Red Pública	Terminales OT prensados	M10	11 mm	26 N •m
	Conector de Entrada de Derivación	Terminales OT prensados	M10	11 mm	26 N •m
	Conector de Entrada de la Batería	Terminales OT prensados	M10	11 mm	26 N •m
	Conector de Salida	Terminales OT prensados	M10	11 mm	26 N •m
	Conector Neutro	Terminales OT prensados	M10	11 mm	26 N •m
	Conector de Conexión a Tierra	Terminales OT prensados	M10	11 mm	26 N •m
S3M80K S3M100K	Conector de Entrada de alimentación de la Red Pública	Terminales OT prensados	M10	11 mm	26 N •m
	Conector de Entrada de Derivación	Terminales OT prensados	M10	11 mm	26 N •m
	Conector de Entrada de la Batería	Terminales OT prensados	M10	11 mm	26 N •m
	Conector de Salida	Terminales OT prensados	M10	11 mm	26 N •m
	Conector Neutro	Terminales OT prensados	M10	11 mm	26 N •m
	Conector de Conexión a Tierra	Terminales OT prensados	M10	11 mm	26 N •m

Tabla 3.2: Requerimientos del Conector del Cable de Alimentación

3. Instalación y Cableado

3.10.2 Breakers Recomendados

Modelo de UPS	Componente	Especificaciones
S3M25K	Breaker de la Entrada de Alimentación de la Red Pública	100A 3P
	Breaker de la Entrada de Derivación	100A 3P
	Breaker de Salida	100A 3P
	Breaker de la Batería	160A 3P
S3M30K	Breaker de la Entrada de Alimentación de la Red Pública	125A 3P
	Breaker de la Entrada de Derivación	125A 3P
	Breaker de Salida	125A 3P
	Breaker de la Batería	200A 3P
S3M50K	Breaker de la Entrada de Alimentación de la Red Pública	200A 3P
	Breaker de la Entrada de Derivación	200A 3P
	Breaker de Salida	200A 3P
	Breaker de la Batería	320A 3P
S3M60K	Breaker de la Entrada de Alimentación de la Red Pública	250A 3P
	Breaker de la Entrada de Derivación	250A 3P
	Breaker de Salida	250A 3P
	Breaker de la Batería	400A 3P
S3M80K	Breaker de la Entrada de Alimentación de la Red Pública	320A 3P
	Breaker de la Entrada de Derivación	320A 3P
	Breaker de Salida	320A 3P
	Breaker de la Batería	600A 3P
S3M100K	Breaker de la Entrada de Alimentación de la Red Pública	400A 3P
	Breaker de la Entrada de Derivación	400A 3P
	Breaker de Salida	400A 3P
	Breaker de la Batería	600A 3P

Tabla 3.3: Breakers Recomendados en Terminal Frontal de Entrada y Terminal Posterior de Salida



¡PRECAUCIÓN!

Cable de protección a tierra: Conecte cada gabinete al sistema principal de conexión a tierra. Para la conexión a tierra, siga la ruta más corta posible.



¡ADVERTENCIA!

Si no se siguen los procedimientos adecuados de conexión a tierra, pueden producirse interferencias electromagnéticas o riesgos, como descargas eléctricas e incendios.

3. Instalación y Cableado

3.11 Conexión de Entrada Única (Alimentación de la Red Pública)

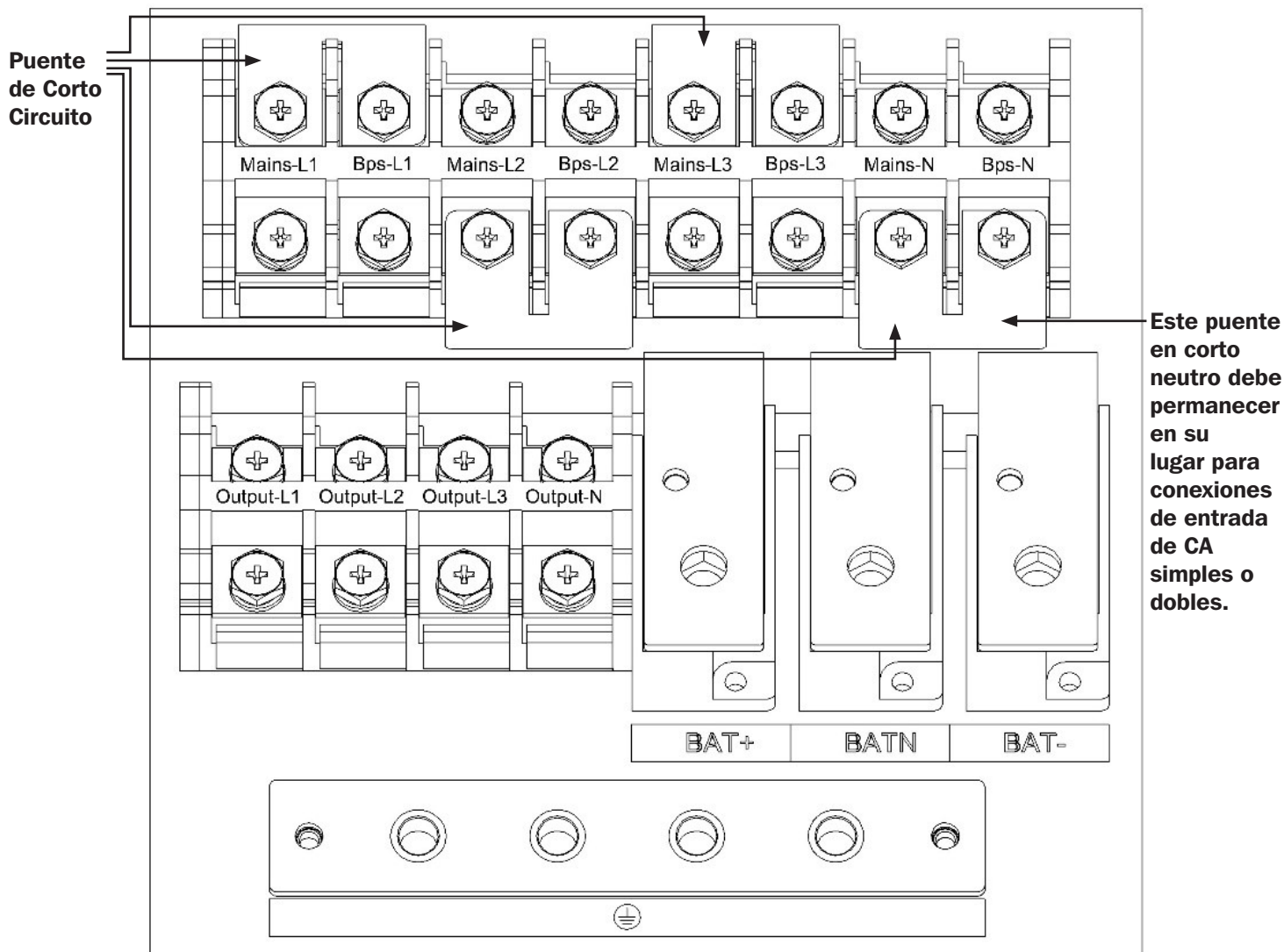


Figura 3-10: Conexión de Entrada Única, Modelos S3M25K y S3M30K

Nota: La unidad UPS está predeterminada al modo de entrada única. Retire los puentes en corto para usar en el modo de entrada doble.

3. Instalación y Cableado

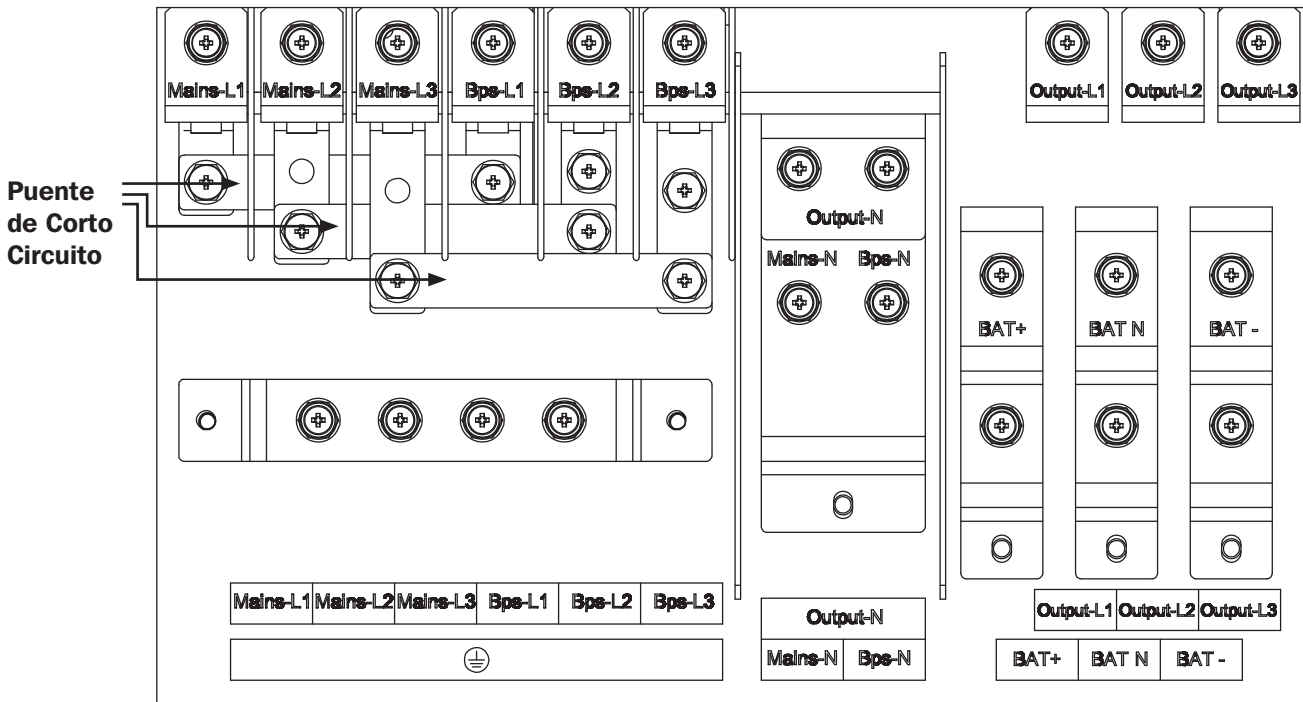


Figura 3-11: Conexión de Entrada Única, Modelos S3M50K y S3M60K

Nota: La unidad UPS está predeterminada al modo de entrada única. Retire los puentes en corto para usar en el modo de entrada doble.

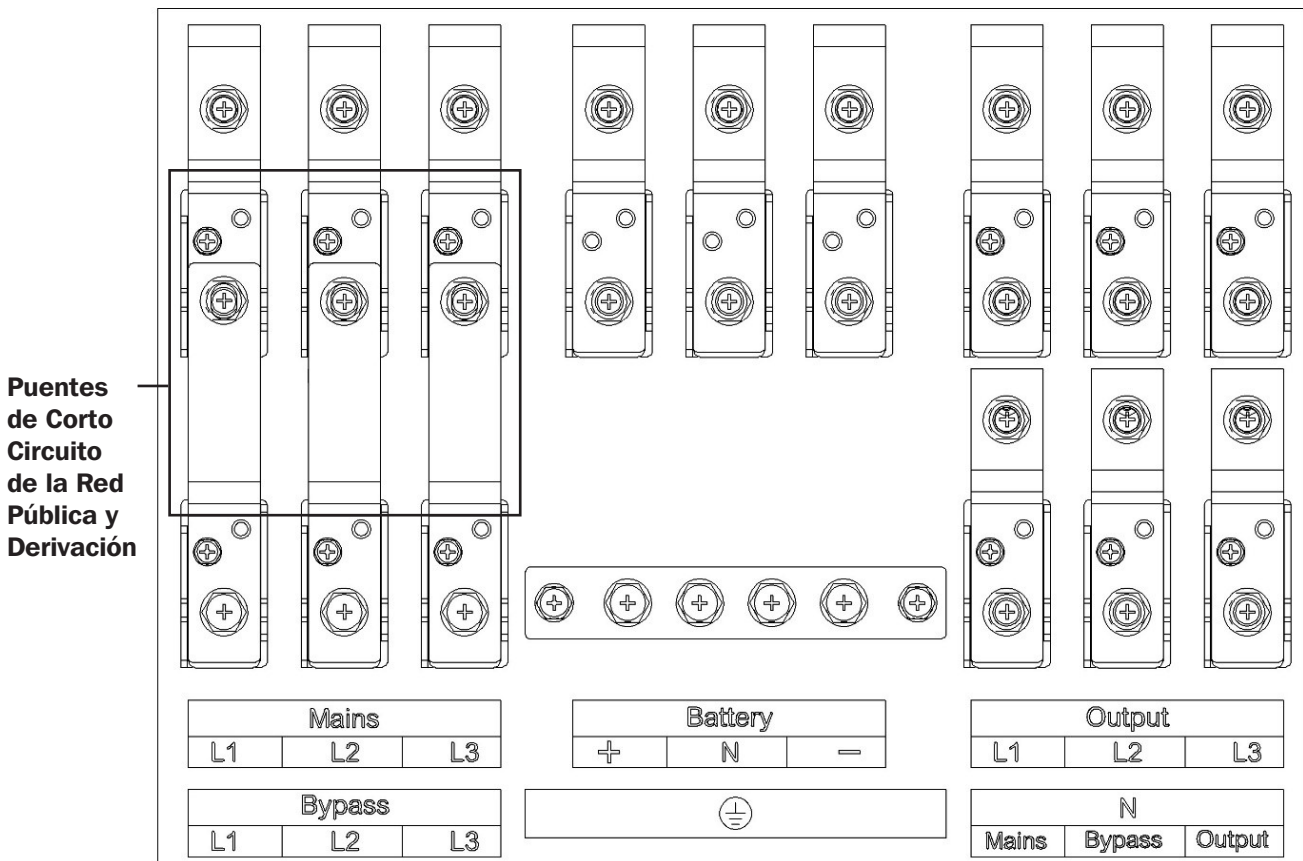


Figura 3-12: Conexión de Entrada Única, Modelos S3M80K y S3M100K

Nota: La unidad UPS está predeterminada al modo de entrada única. Retire los puentes en corto para usar en el modo de entrada doble.

3. Instalación y Cableado

ENTRADA Línea de Entrada Primaria	SALIDA
	Vout-L1: Fase de Salida L1
Vin-L1: Fase de Entrada Primaria L1	Vout -L2: Fase de Salida L2
Vin-L2: Fase de Entrada Primaria L2	Vout -L3: Fase de Salida L3
Vin-L3: Fase de Entrada Primaria L3	Vout -N: Salida Neutro
Vin-N: Neutro de Entrada para entrada primaria y secundaria	PE: Conexión a Tierra
	BAT +: Terminal positiva de la cadena de baterías
	BATN: Terminal neutra de la cadena de baterías
	BAT-: Terminal negativa de la cadena de baterías

3.12 Conexión de Entrada Doble (Alimentación de la Red Pública y de la Derivación)

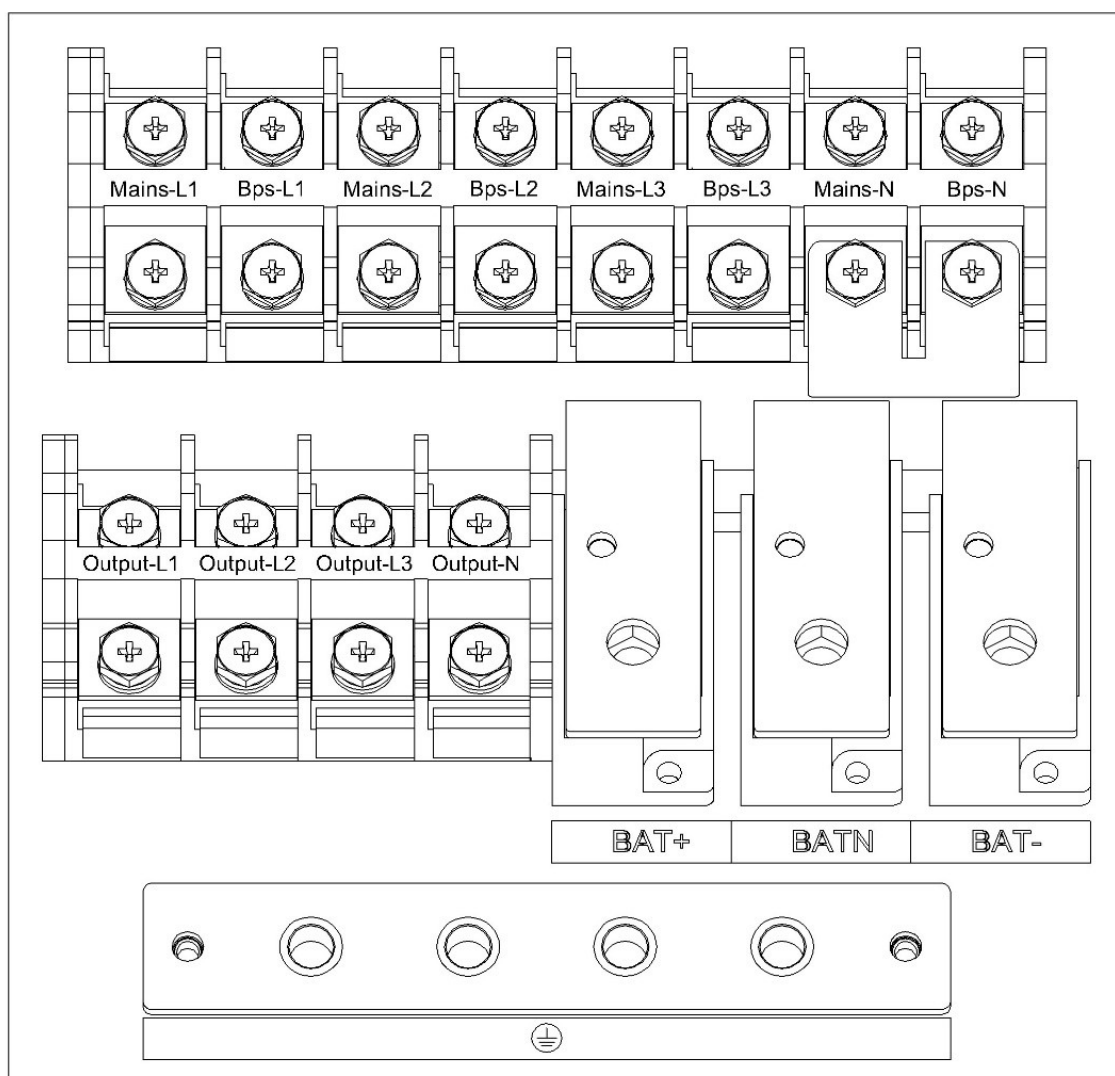


Figura 3-13: Conexión de Entrada Doble, Modelos S3M25K y S3M30K

Nota: La unidad UPS está predeterminada al modo de entrada única, como se muestra en la Figura 3-10. Retire los puentes en corto para usar en el modo de entrada doble.

3. Instalación y Cableado

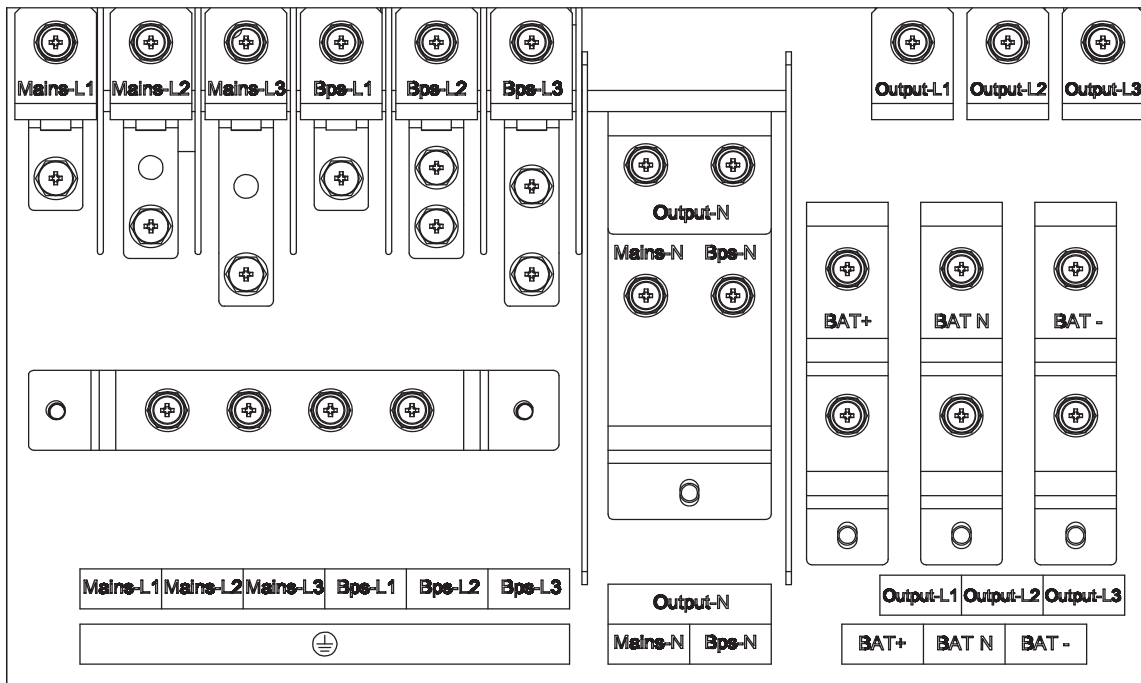


Figura 3-14: Conexión de Entrada Doble, Modelos S3M50K y S3M60K

Nota: La unidad UPS está predeterminada al modo de entrada única, como se muestra en la Figura 3-11. Retire los puentes en corto para usar en el modo de entrada doble.

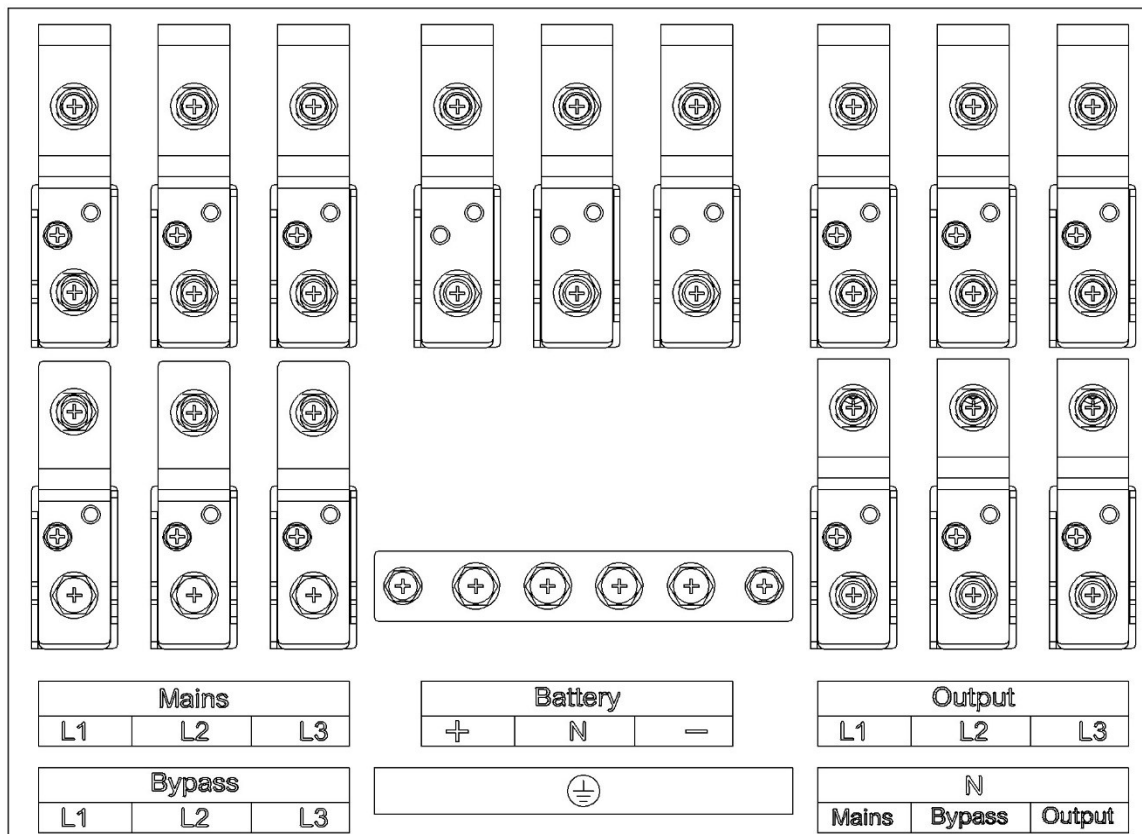


Figura 3-15: Conexión de Entrada Doble, Modelos S3M80K y S3M100K

Nota: La unidad UPS está predeterminada al modo de entrada única, como se muestra en la Figura 3-12. Retire los puentes en corto para usar en el modo de entrada doble.

3. Instalación y Cableado

Red Pública	Línea de Entrada Primaria	Salida
Derivación	Línea de entrada Secundaria y Derivación (opcional)	Vout-L1: Fase de Salida L1
Vin-L1:	Fase de Entrada Primaria L1	Vout-L2: Fase de Salida L2
Vin-L2:	Fase de Entrada Primaria L2	Vout-L3: Fase de Salida L3
Vin-L3:	Fase de Entrada Primaria L3	Vout -N: Salida Neutro
Vin-N:	Neutro de Entrada para entrada primaria y secundaria	PE: Conexión a Tierra
BPS-L1:	Fase de entrada Secundaria L1	BAT +: Terminal positiva de la cadena de baterías
BPS-L2:	Fase de entrada Secundaria L2	BATN: Borne N en el Centro de la Batería
BPS-L3:	Fase de entrada Secundaria L3	BAT-: Terminal negativa de la cadena de baterías



ADVERTENCIA: En el caso de la operación de dos entrada, asegúrese de que se haya retirado el alambre de cobre entre cada línea de entrada. La entrada de CA y las alimentaciones en derivación de CA deben ser referenciadas al mismo punto neutro.

Elija el cable de alimentación apropiado (consulte la Tabla 3.1). El diámetro de la terminal de conexión del cable debe ser mayor o igual que el de los postes de conexión.

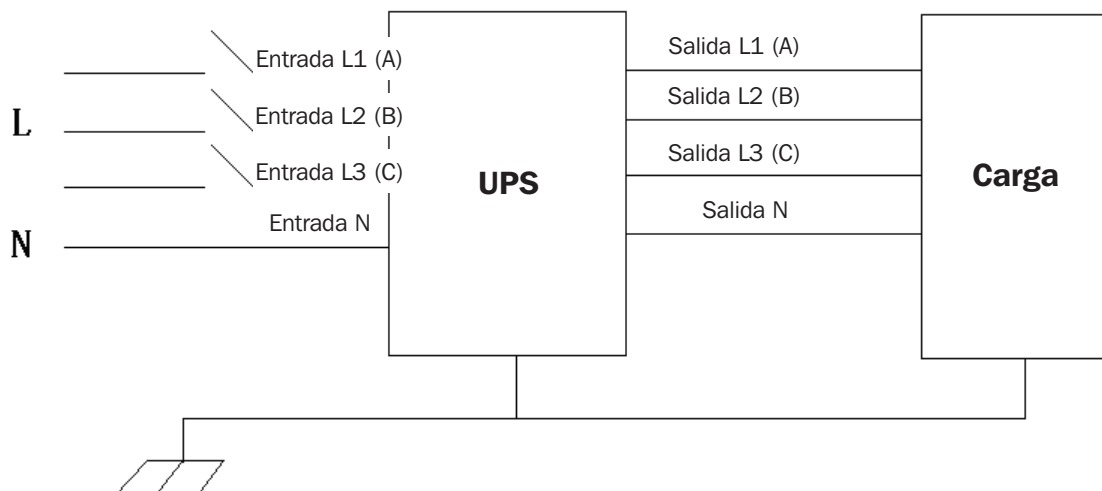


Figura 3-16: Conexiones de Entrada y Salida



¡ADVERTENCIA!

Si el equipo de carga no está listo para aceptar energía a la llegada del ingeniero de puesta en servicio, entonces asegúrese de que los cables de salida del sistema estén aislados con seguridad en sus terminales.

Conecte la tierra de seguridad y los cables de conexión a tierra necesarios al tornillo de cobre de conexión a tierra ubicado en el piso del equipo debajo de las conexiones de alimentación. Todos los gabinetes en el UPS deben conectarse a tierra correctamente.



¡PRECAUCIÓN!

La instalación y el cableado deben ser realizados únicamente por un técnico de servicio eléctrico calificado de acuerdo con los códigos y reglamentos locales e instalados usando las siguientes instrucciones.

3. Instalación y Cableado

3.13 Instalación del UPS para Sistemas en Paralelo



ADVERTENCIA: La instalación y el cableado deben realizarse de acuerdo con los códigos y reglamentos locales e instalarse usando las siguientes instrucciones de un técnico de servicio eléctrico calificado solamente.

Instalación del Gabinete

Conecte el UPS para la instalación en paralelo de acuerdo el diagrama en la Figura 3-17.

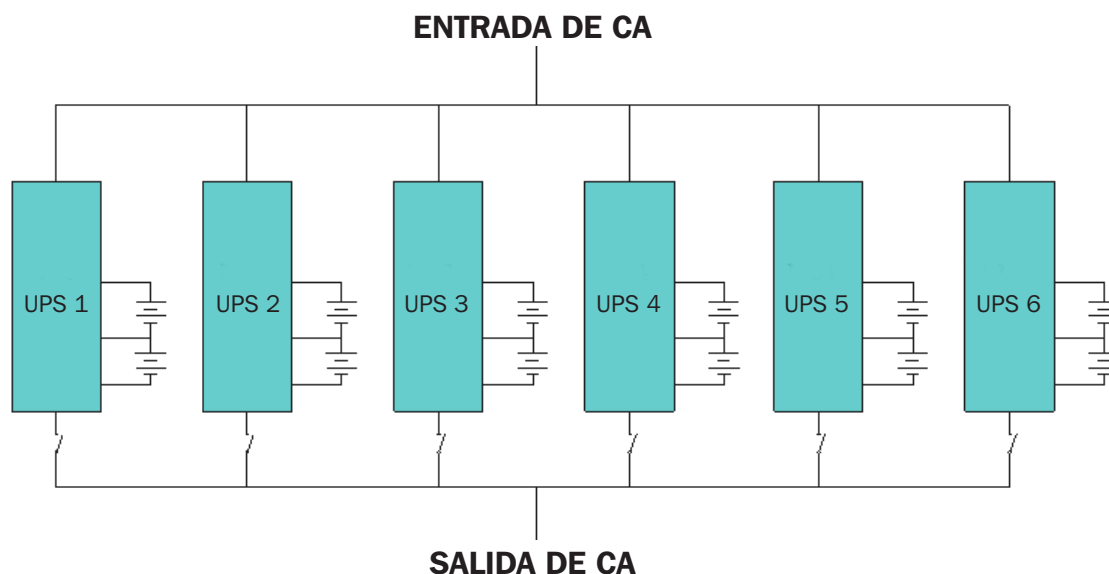


Figura 3-17: Conexiones para la Instalación en Paralelo

Asegúrese de que cada breaker de entrada del UPS esté en la posición “OFF” y que no haya salida desde ningún UPS conectado. Los grupos de baterías pueden conectarse por separado o en paralelo, lo que significa que el propio sistema proporciona respaldo por batería por separado y por batería común.



¡ADVERTENCIA!

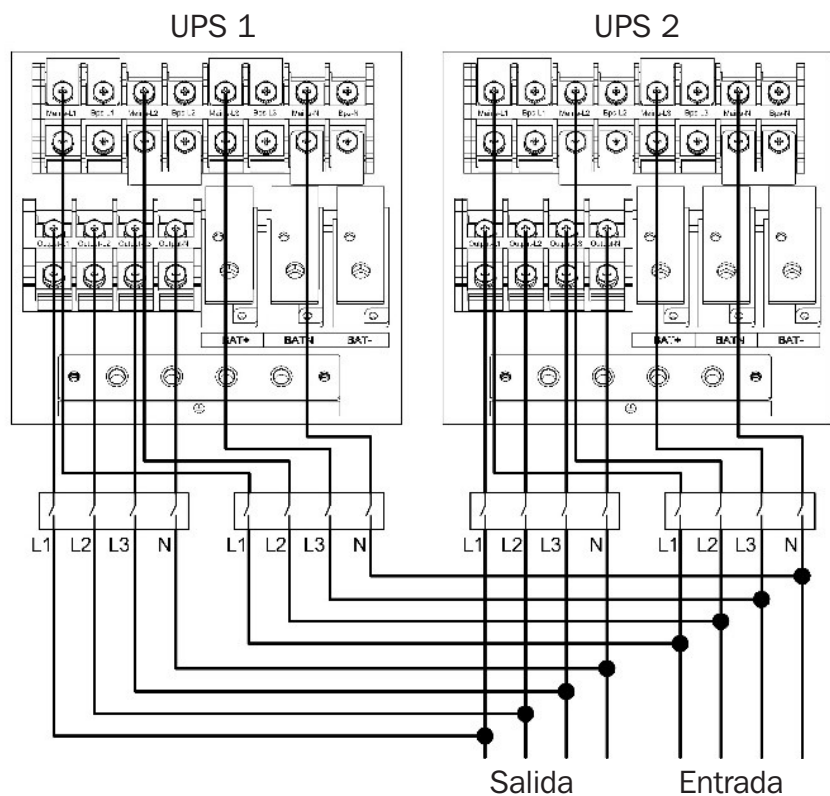
Asegúrese de que las líneas N, L1, L2 y L3 estén correctas y la conexión a tierra esté bien conectada.

1. La configuración en paralelo soporta hasta seis sistemas UPS. No intente enlazar más de seis sistemas UPS mediante la configuración en paralelo.
2. Instale y cablee el sistema UPS de acuerdo con las orientaciones de la sección **3.13.1 y 3.13.2**.
3. Al instalar el sistema en paralelo, la longitud de los cables de entrada (L1, L2, L3, N) en un UPS debe ser igual a los cables de entrada del otro UPS. Asimismo, la longitud de los cables de salida (L1, L2, L3, N) también debe ser igual. Si no, causará desequilibrio de corriente en la carga de salida.
4. Conecte el cableado de alimentación de cada UPS a un breaker de entrada.
5. Conecte todo el cableado del breaker de entrada a un breaker de alimentación principal.
6. Conecte el cableado de salida de cada UPS a un breaker de salida.
7. Conecte todos los breakers de salida a un breaker de la salida principal. Este breaker de la salida principal se conectará directamente a las cargas.
8. Si se usa un módulo de baterías externas, cada UPS debe conectarse a un módulo de baterías independiente o un módulo de baterías común.
9. Para la instalación en paralelo, consulte el siguiente diagrama de cableado:

3. Instalación y Cableado

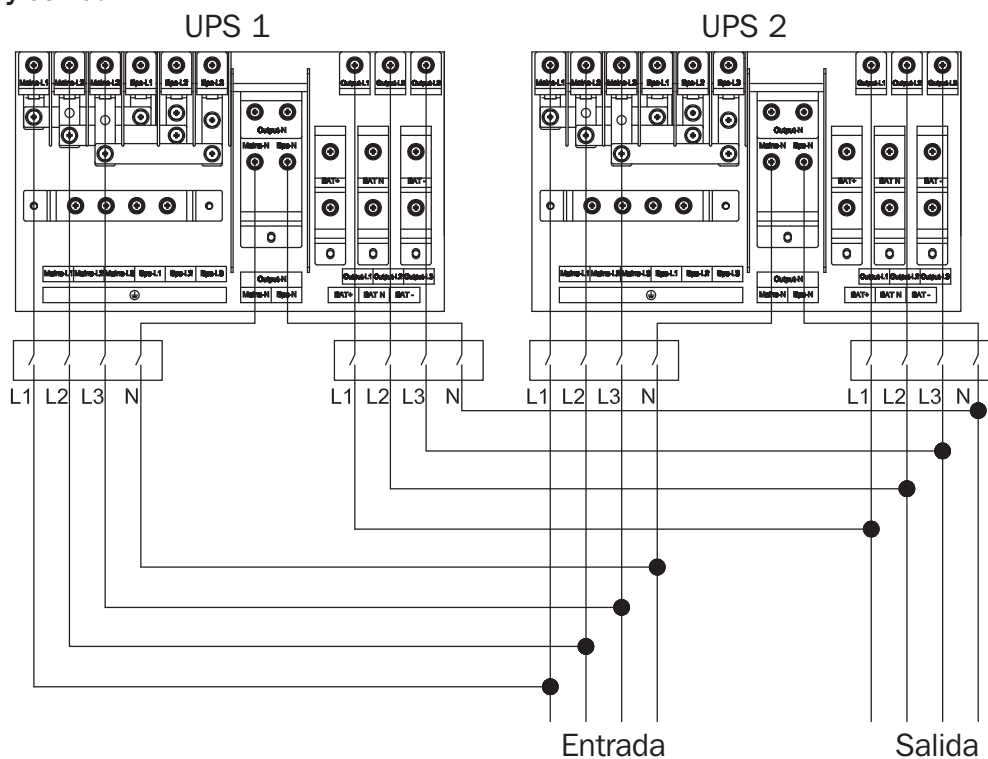
3.13.1 Conexiones del Cable de Alimentación en Paralelo

Modelos S3M25K y S3M30K



Nota: El LCD indica L1 como (A), L2 como (B) y L3 como (C).

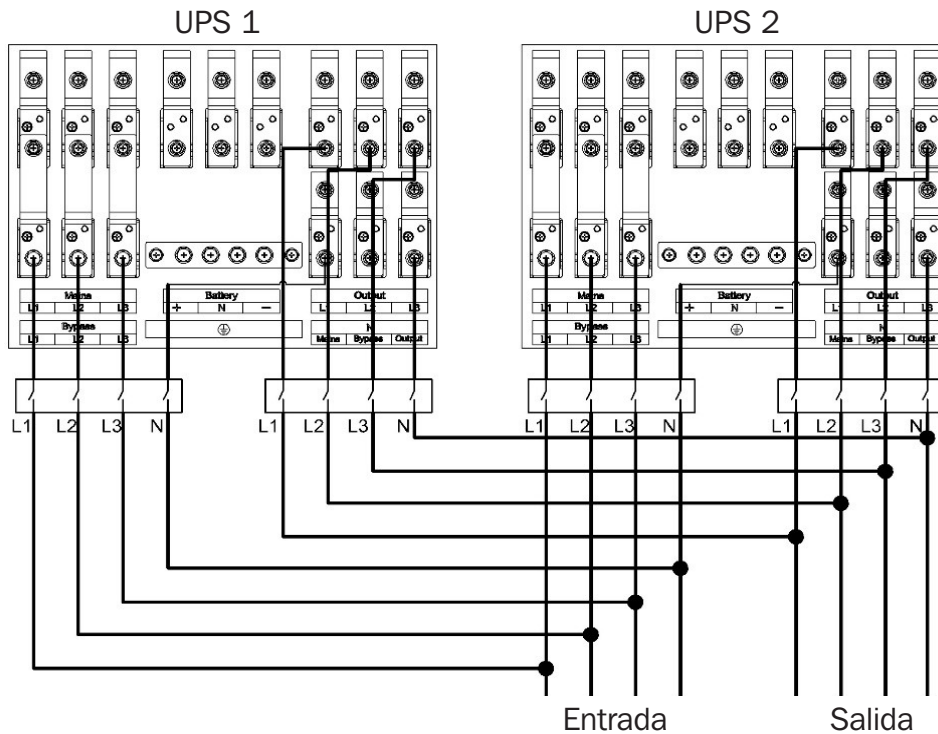
Modelos S3M50K y S3M60K



Nota: El LCD indica L1 como (A), L2 como (B) y L3 como (C).

3. Instalación y Cableado

Modelos S3M80K y S3M100K



Nota: El LCD indica L1 como (A), L2 como (B) y L3 como (C).

Asegúrese de que cada breaker de entrada del UPS esté en la posición “OFF” y que no haya salida alguna desde cada UPS conectado. Los grupos de baterías pueden conectarse por separado o en paralelo, lo que significa que el propio sistema proporciona respaldo por batería por separado y por batería común.

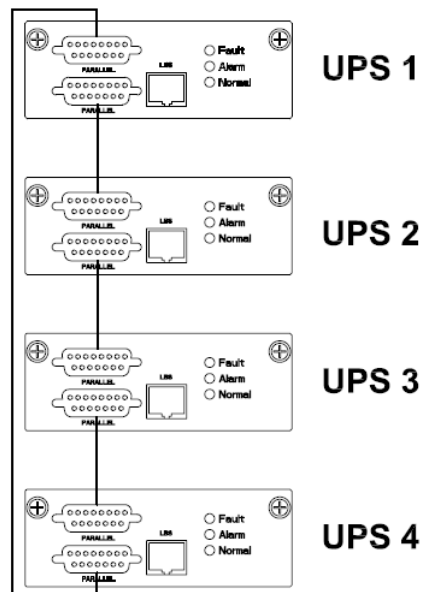


¡ADVERTENCIA!

Asegúrese de que las líneas N, L1 (A), L2 (B), L3 (C) estén correctas y la conexión a tierra esté bien conectada.

3.13.2 Instalación del Cable en Paralelo

Los cables de control blindados y con doble aislamiento deben estar interconectados en una configuración de anillo entre unidades UPS como se muestra a continuación. La configuración del anillo garantiza una alta confiabilidad del control. Use solamente los cables en paralelo suministrados por Tripp Lite.



Nota: Para información sobre la configuración en paralelo de las unidades UPS para capacidad o redundancia usando la pantalla, refiérase a la sección 4.3.6.2.2 paso 2.

3. Instalación y Cableado

3.13.3 Puesta en Marcha del Sistema en Paralelo

Los sistemas en paralelo se deben poner en servicio sólo después de que la configuración esté completa para los sistemas individuales.

El siguiente ejemplo es para puesta en servicio de cuatro unidades en paralelo.

1. Confirme que las conexiones del cable de entrada y salida y la secuencia de fase de entrada sean correctas. Apague el breaker de la batería y mida para asegurar que los voltajes +/- de batería de todos los grupos de baterías sean normales.
2. Conecte el cable en paralelo. Debe ser una conexión de bucle formado.
3. Encienda el breaker de entrada de la unidad 1 y acceda a la interfaz de configuración del LCD para configurar el modo de trabajo en paralelo, ID, número de paralelo y número de redundante (refiérase a la sección **4.3.6.2.2**). Establezca la configuración requerida para el número de serie y capacidad de la batería. El nivel de voltaje de salida y el rango de protección de derivación son parámetros predeterminados.
4. Apague el breaker de entrada de la unidad 1 y asegúrese de que el UPS esté apagado. Encienda el breaker de entrada de la unidad 2. Acceda a la interfaz de configuración del LCD para configurar el modo de trabajo en paralelo, ID, número de paralelo y número de redundante. Las otras configuraciones son iguales que la operación del UPS 1.
5. Para la unidad 3 y la unidad 4, los parámetros de operación son todos los mismos que en las unidades 1 y 2.
6. Encienda los breakers de derivación, entrada y salida en todos los UPS en paralelo, a continuación, confirme que todos los parámetros sean correctos. Cada UPS tiene una ID diferente.
7. Encienda todos los breakers de la batería y confirme que los parámetros (V/I) sean normales.
8. Conecte la carga y revise para asegurarse de que las corrientes de salida están balanceadas.
9. Encienda y apague el breaker de alimentación de la red pública para probar que el sistema convertidor de todas las unidades UPS vaya de la energía de la red pública a la energía de la batería y las funciones restablecidas estén trabajando.

3.14 Instalación de Sincronización del Bus de Carga [LBS]

La función de la LBS es mantener la salida de dos sistemas UPS independientes (una sola unidad o múltiples unidades) en sincronización incluso cuando los dos sistemas estén operando en modos diferentes (Derivación/Inversor) o en respaldo por batería. Se usa normalmente con un Switch de Transferencia Estático [STS] conectado a la carga crítica para alcanzar la configuración de Bus doble.

La LBS puede dividirse en funciones de rastreo y conmutación. La función de rastreo se encarga de la sincronización de los dos sistemas, mientras que el switch supervisa el switch de alimentación entre los dos sistemas. Cuando un sistema se apaga o la salida es anormal, el STS cambiará a la alimentación del otro sistema para garantizar el mantenimiento de la alimentación de energía a la carga.

En común, la función del switch es independiente del sistema UPS. Se enfatiza la lógica de rastreo. Los dos sistemas UPS independientes son diferentes en la lógica de rastreo. Un sistema es el Maestro y el otro es el Esclavo. La lógica se define a continuación.

Hardware: Conecte el cable LBS a las interfaces RJ45 de los dos sistemas UPS terminales en cada grupo. El sistema completo se muestra a continuación.

3.14.1 Configuración del LCD

Configure cada UPS del sistema como Maestro de LBS o Esclavo de LBS. Por ejemplo, si el UPS pertenece al sistema maestro de la LBS, su configuración LBS debe configurarse en Maestro.

- Si ambos sistemas suministran al lado del inversor, el Esclavo rastreará al Maestro;
- Si el Maestro suministra a través de la derivación y el Esclavo al lado del inversor, el Esclavo rastreará al Maestro;
- Si el Maestro suministra al lado del inversor y el Esclavo a través de la derivación, el Maestro rastreará al Esclavo;
- Si ambos sistemas suministran a través de la derivación, no hay rastreo entre los dos sistemas.

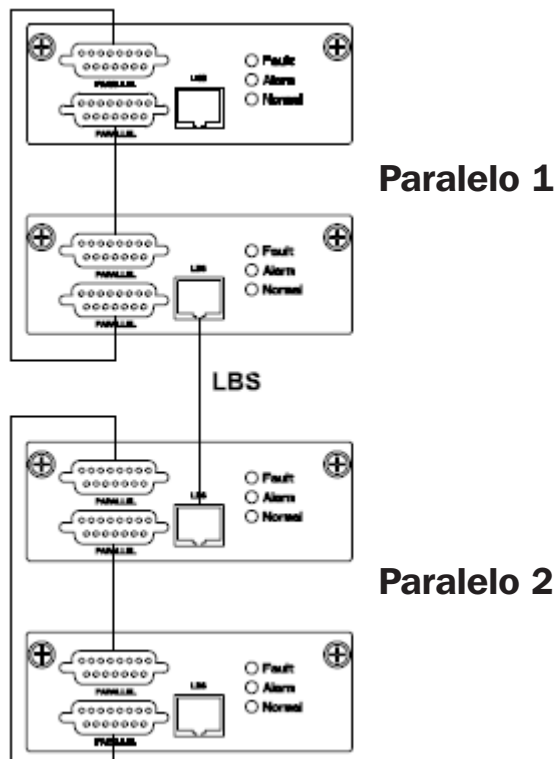
Nota: La fuente del rastro debe estar en el rango de rastreo, de lo contrario, no habrá rastro. Si el inversor no tiene salida al UPS, no puede verse afectado por la señal LBS.

3. Instalación y Cableado

3.14.2 Instalación del Cable LBS

Los dos conectores de un cable de malla deben enchufarse en la interfaz RJ45 de cualquier UPS de los sistemas Maestro y Esclavo. Refiérase al siguiente diagrama.

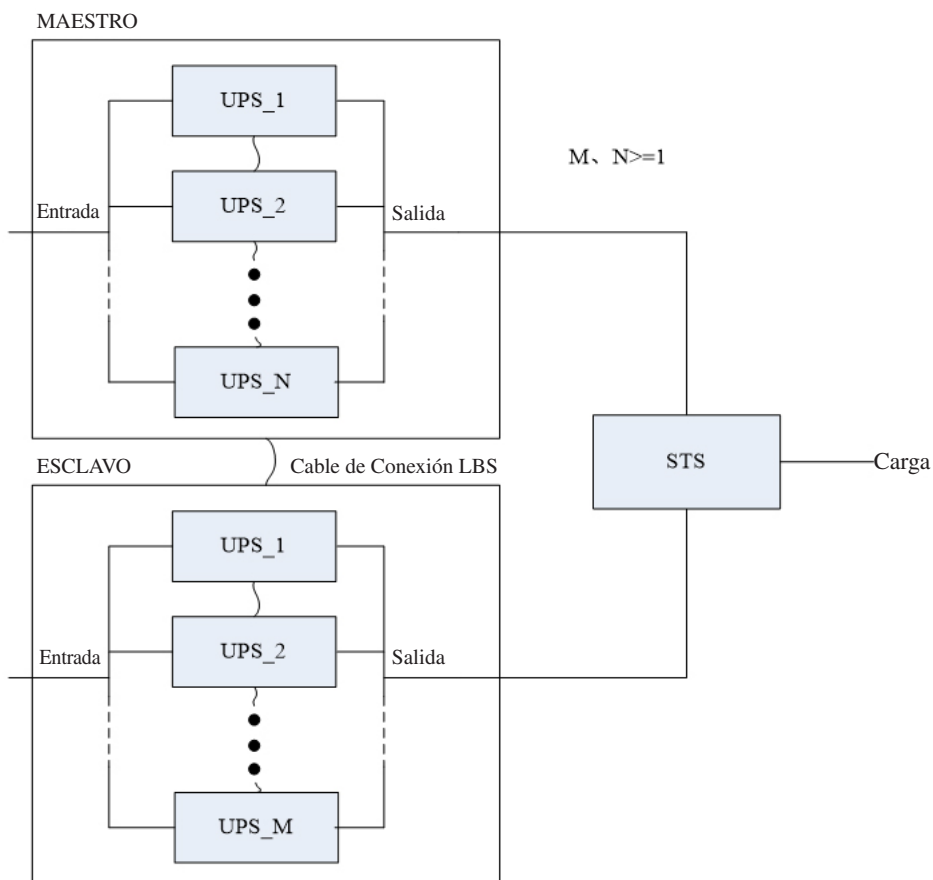
Nota: La conexión de sistemas UPS en paralelo es independiente de conectar los sistemas UPS en modo LBS. LBS no significa conectar en paralelo.



3. Instalación y Cableado

3.14.3 Instalación del UPS

El sistema completo se muestra a continuación.



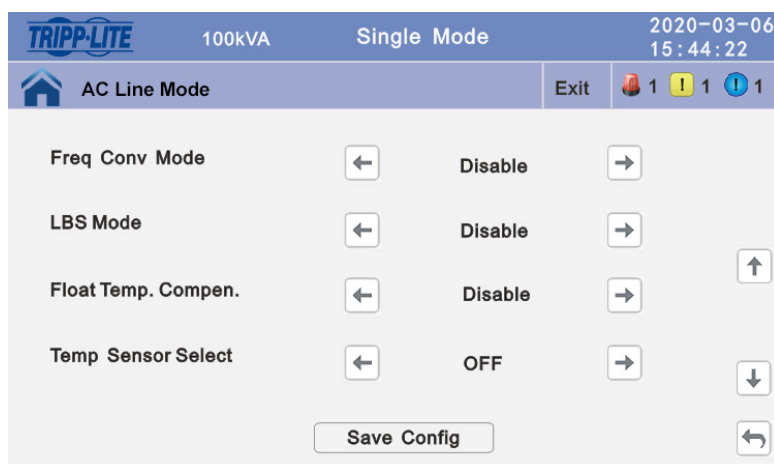
3.14.4 Parámetros LBS

Apague el inversor y a continuación encienda el LCD del UPS.

Configuración de Página Principal >> Configuración Avanzada >> Contraseña "191210" >> Configuración del Sistema

Modo LBS: Configuración del valor: LBS Inactivo, LBS Maestro, LBS Esclavo. La configuración predeterminada es LBS inactivo.

- a. Sistema de un UPS [LBS] – Configure un UPS en Modo LBS, LBS Maestro; configure un UPS en Modo LBS, LBS Esclavo.
- b. Sistemas UPS en paralelo – Configure un sistema UPS en paralelo en modo LBS, LBS Maestro; Configure un sistema UPS en paralelo en Modo LBS, LBS Esclavo.

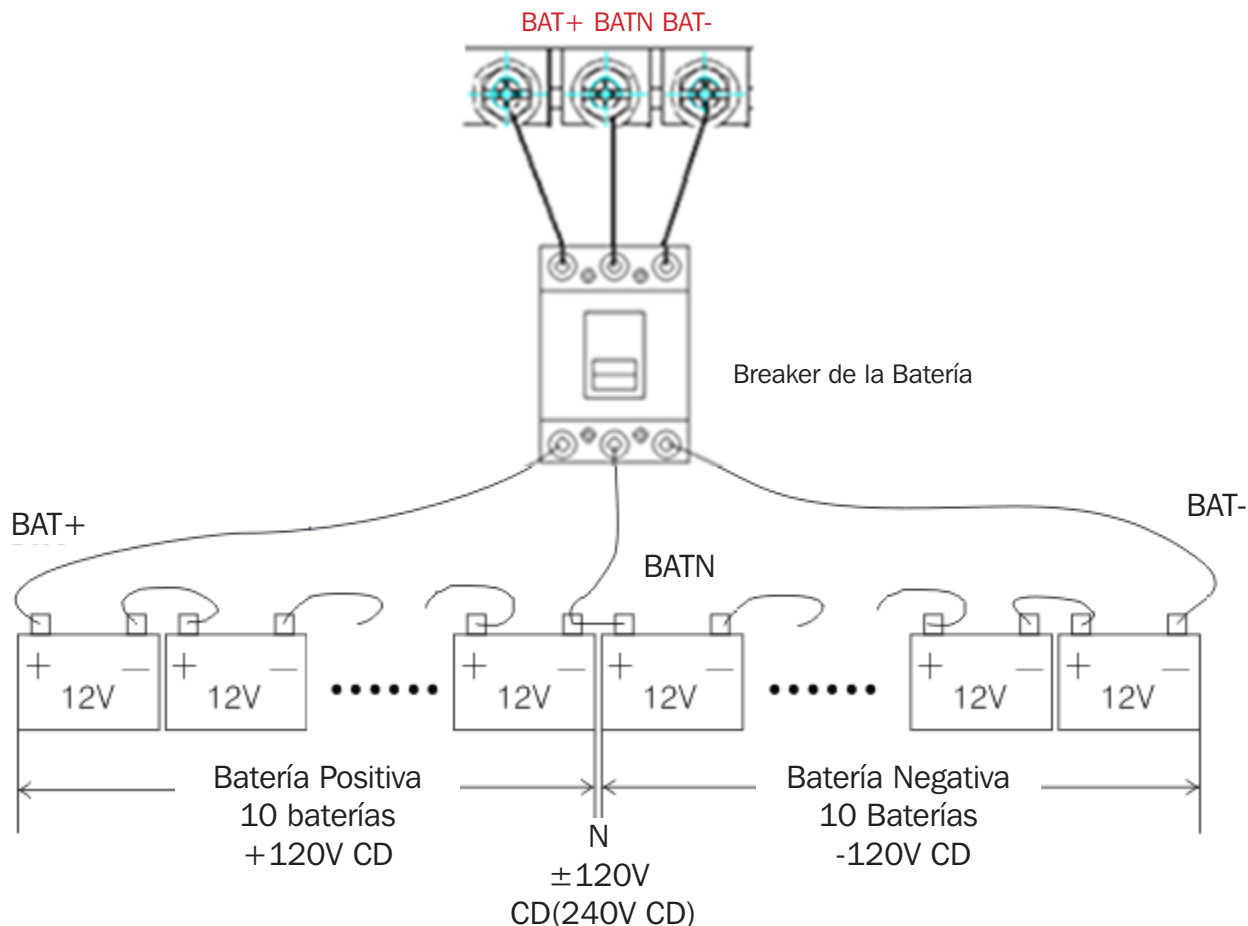


3. Instalación y Cableado

3.15 Conexiones de la Batería Externa

El UPS tiene un marco positivo y negativo de doble batería, con un total de 20 baterías en serie. Un cable neutro se recupera de la unión entre el cátodo de la décima batería y el ánodo de la décima batería. A continuación, el cable neutro, el positivo de la batería y el negativo de la batería están conectados con el UPS respectivamente. Los grupos de baterías entre el ánodo de la batería y el neutro se llaman baterías positivas y aquellas entre el neutro y el cátodo se llaman baterías negativas. Refiérase a la sección

3.9 Compatibilidad del UPS al Modelo del Gabinete de Baterías.



Notas:

- El BAT+ de los postes de conexión del UPS está conectado al ánodo de la batería positiva.
- El BAT-N está conectado al cátodo de la batería positiva y el ánodo de la batería negativa.
- El BAT- está conectado al cátodo de la batería negativa.



¡PRECAUCIÓN!

Asegúrese de que la conexión correcta de la polaridad de la serie de baterías, es decir, las conexiones entre niveles y entre bloques son de terminales (+) a (-).
No mezcle baterías con diferente capacidad o de diferentes marcas. No mezcle baterías nuevas y viejas.



¡ADVERTENCIA!

Asegure la polaridad correcta de las conexiones del extremo de la cadena al breaker de la batería y del breaker de la batería a las terminales del UPS, es decir, (+) a (+) / (-) a (-) / (N) a (N), pero desconecte uno o más enlaces de celda de la batería en cada nivel. No vuelva a conectar estos enlaces y no cierre el breaker de la batería a menos que lo autorice el técnico de puesta en servicio.

3. Instalación y Cableado

Conexiones de Múltiples Módulos de Baterías



¡PRECAUCIÓN!

Asegure la polaridad correcta de la conexión de la serie de baterías. No mezcle baterías con diferente capacidad o de diferentes marcas o baterías nuevas o viejas.



¡ADVERTENCIA!

Asegure la polaridad correcta de las conexiones del extremo de la cadena al breaker de la batería y desde el breaker de la batería a las terminales del UPS (i.e., (+) a (+) / (-) a (-) / (N) a (N)). Desconecte uno o más enlaces de celdas en cada capa. No vuelva a conectar estos enlaces y no cierre el breaker de la batería a menos que todas las conexiones estén correctamente revisadas y aprobadas.

Nota: Refiérase a la sección 4.3.6.2.4 para obtener información sobre la configuración de la capacidad en Ah de la batería, el número de baterías y el número de gabinetes de baterías.

4. Operación

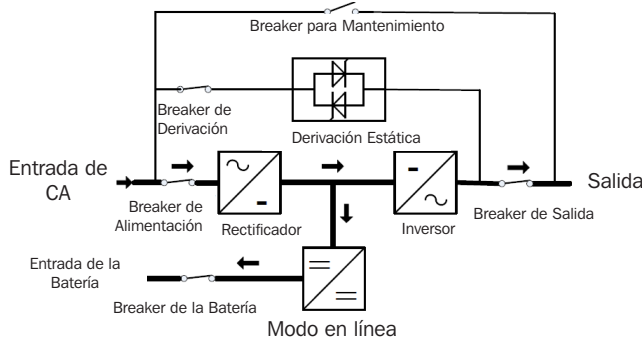
4.1 Modos de Operación

El UPS es un UPS en línea de doble conversión que puede operar en los siguientes modos alternativos:

4.1.1 Modo en Línea de CA

El rectificador cargador deriva energía de la red pública de CA y suministra energía de CD al inversor mientras flota y eleva la carga a la batería simultáneamente. A continuación, el inversor convierte la energía de CD a CA y alimenta a la carga.

ENTRADA ÚNICA: Alimentación de la Red Pública



ENTRADA DUAL: Alimentación de la Red Pública y de Derivación

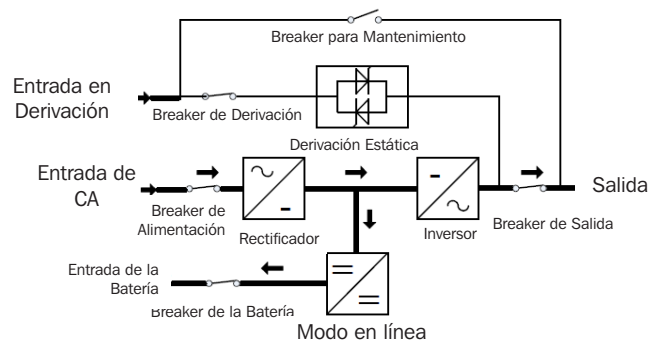
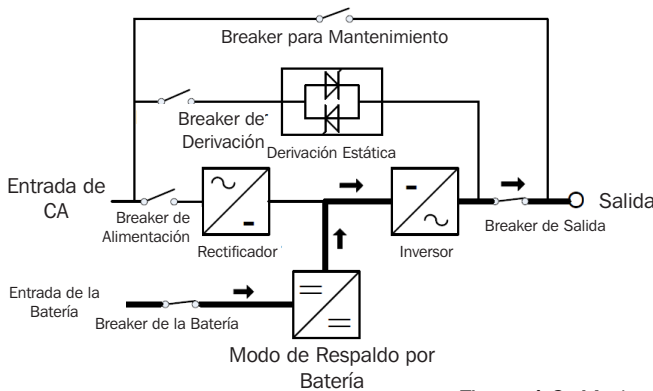


Figura 4-1: Modo en Línea de CA

4.1.2 Modo de Respaldo por Batería (Modo de Energía Almacenada)

Si falla la alimentación de CA de la red pública, el inversor, que obtiene energía de la batería, alimenta la carga crítica de CA. No hay interrupción de energía a la carga crítica. Cuando se recupere la CA, el UPS regresará automáticamente al modo normal.

ENTRADA ÚNICA: Alimentación de la Red Pública



ENTRADA DUAL: Alimentación de la Red Pública y de Derivación

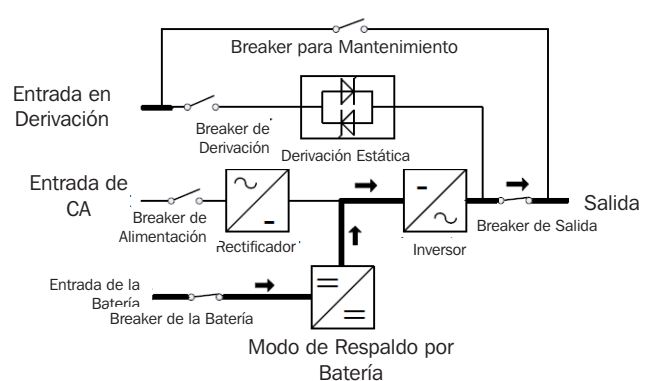


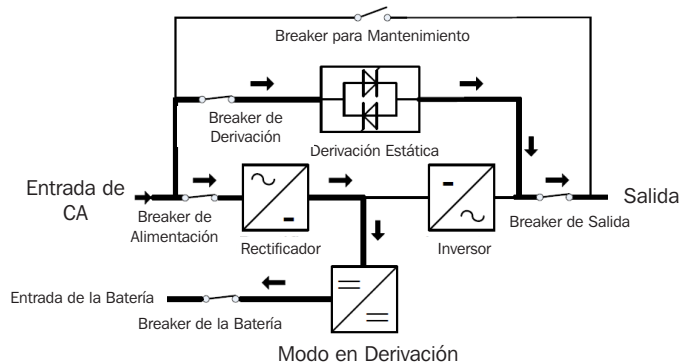
Figura 4-2: Modo de Respaldo por Batería

4. Operación

4.1.3 Modo en Derivación

Si el inversor está fuera de orden o si ocurre sobrecarga, el switch de transferencia estático se activará para transferir la carga de la alimentación del inversor a la alimentación de derivación sin interrupción a la carga crítica. En el caso de que la salida del inversor no esté sincronizada con la fuente de CA en derivación, el switch estático realizará una transferencia de la carga del inversor a la derivación con interrupción de energía a la carga crítica de CA. Esto es para evitar la conexión en paralelo de fuentes de CA no sincronizadas. Esta interrupción es programable pero normalmente configurada para ser inferior a un ciclo eléctrico, por ejemplo, menos de 15 ms (50 Hz) o menos de 13.33 ms (60 Hz).

ENTRADA ÚNICA: Alimentación de la Red Pública



ENTRADA DUAL: Alimentación de la Red Pública y de Derivación

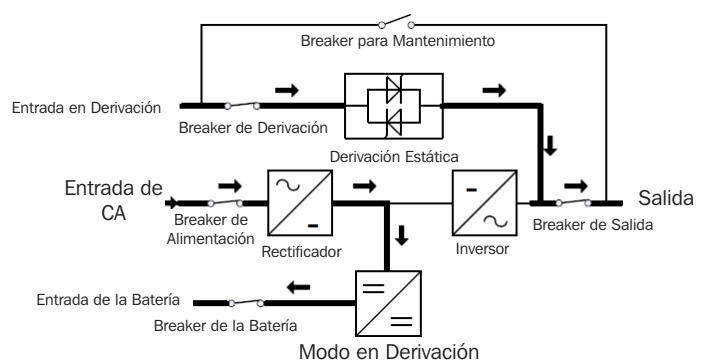
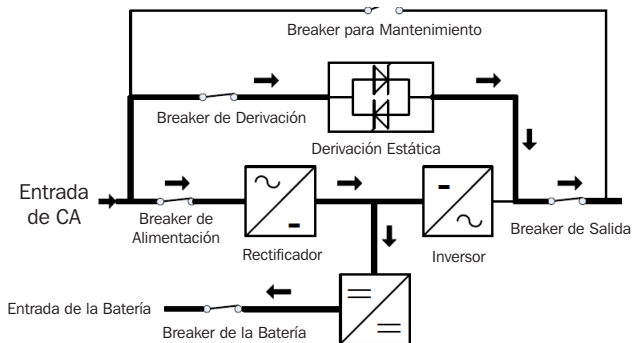


Figura 4-3: Modo en Derivación

4.1.4 Modo ECO

Cuando el UPS está en modo de CA y el requerimiento de la carga no es crítico, el UPS puede configurarse en modo ECO a fin de aumentar la eficiencia de la energía suministrada. En el modo ECO, el UPS trabaja en modo Interactivo, de modo que el UPS se transferirá a la alimentación en derivación. Cuando el CA esté fuera de la ventana establecida, el UPS se transferirá de la derivación al inversor y suministrará energía desde la batería y después el LCD mostrará toda la información relacionada en la pantalla. Después de encender, el UPS pasará en forma predeterminada al modo ECO.

CONEXIÓN DE ENTRADA ÚNICA: Alimentación de la Red Pública



ENTRADA DOBLE: Alimentación de la Red Pública y en Derivación

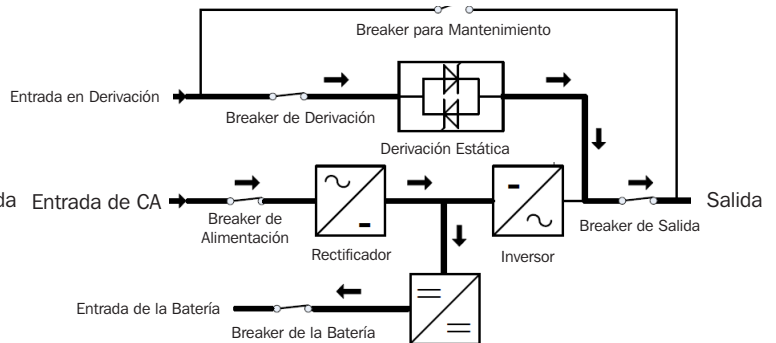


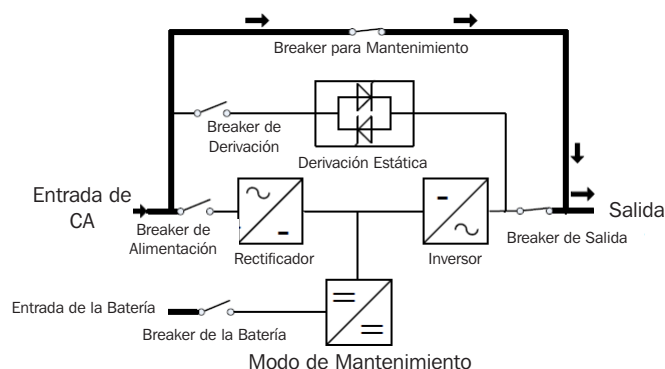
Figura 4-4: Modo ECO

4. Operación

4.1.5 Modo de Mantenimiento (Derivación Manual)

Está disponible un switch de derivación manual para asegurar la continuidad de suministro a la carga crítica cuando el UPS esté fuera de orden o en reparación y este switch de derivación manual soporta una carga nominal equivalente.

ENTRADA ÚNICA: Alimentación de la Red Pública



ENTRADA DUAL: Alimentación de la Red Pública y de Derivación

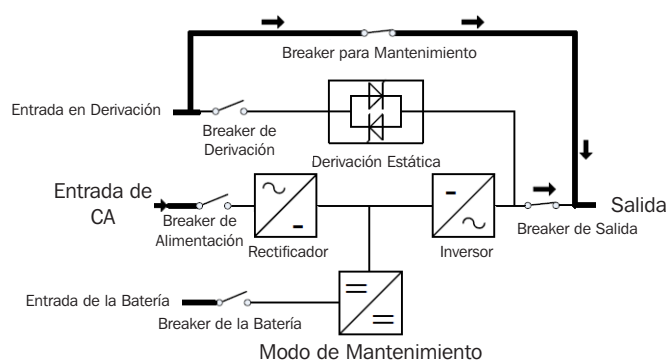


Figura 4-5: Modo de Mantenimiento

4.2 Encendido y Apagado del UPS

4.2.1 Arranque Básico

Una vez completado el siguiente procedimiento, el UPS soportará la carga en modo En Línea o Modo ECO (si está activado).

1. Confirme que la batería esté conectada. Encienda cualquier breaker del gabinete de baterías externas (si fuera el caso).
2. Encienda el Breaker de la Derivación.
3. Encienda el Breaker de la Alimentación Principal.
4. Encienda el Breaker de Salida.
5. El inversor realizará un arranque lento y aumentará hasta el voltaje nominal. El UPS se transferirá al modo en línea o al modo ECO (si está activado) dentro de uno a dos minutos.
6. Confirme que no haya alarmas activas.

4.2.2 Apagado del UPS

Una vez completado el siguiente procedimiento, el UPS se apagará y la carga no será soportada.

1. Con el UPS en Modo en Línea o Modo ECO, detenga el inversor usando el menú de pantalla (Inicio > común > INV ON/OFF > INV OFF). El UPS se transferirá al modo en derivación. Confirme que el LED de derivación esté encendido y el LCD muestre el modo de Derivación antes de continuar.
2. Apague el Breaker de Salida. La carga se desactivará.
3. Apague el Breaker de Alimentación Principal.
4. Apague el breaker de la Derivación. El UPS se apagará poco después.
5. Apague el breaker de la batería del gabinete de baterías externas (si fuera el caso).

4. Operación

4.2.3 Arranque en Frío

Una vez completado el siguiente procedimiento, el UPS soportará la carga desde la energía de la batería.

1. Confirme que la batería esté conectada. Encienda cualquier breaker del gabinete de baterías externas (si fuera el caso).
2. Encienda el Breaker de Salida.
3. Oprima el botón de arranque en frío ubicado en la parte posterior de los modelos de UPS de 25kVA a 60kVA y en el frente de los modelos de 80kVA a 100kVA. El inversor realizará un arranque lento y aumentará hasta el voltaje nominal. Una vez finalizado, el UPS se transferirá al modo de respaldo por batería y soportará la carga.
4. Una vez restablecida y estabilizada la energía de la red pública, encienda el breaker de derivación y el breaker de la alimentación principal. El UPS se transferirá al modo en línea o al modo ECO (si está activado).
5. Confirme que no haya alarmas activas.

4.2.4 Transferencia a Modo en Derivación para Mantenimiento

Una vez completado el siguiente procedimiento, el UPS se apagará. Sin embargo, seguirá suministrándose energía al bloque de terminales de salida.

1. Retire la cubierta del breaker de la derivación para mantenimiento en la parte posterior del UPS retirando los dos (2) tornillos de instalación. El UPS se transferirá automáticamente al modo en Derivación. Confirme que el LED de derivación esté encendido y el LCD muestre Derivación para Mantenimiento antes de continuar.
2. Encienda el Breaker de Derivación para Mantenimiento.
3. Apague el Breaker de Salida.
4. Apague el Breaker de Alimentación Principal.
5. Apague el breaker de la Derivación. El UPS se apagará poco después.
6. Apague el breaker de la batería del gabinete de baterías externas (si fuera el caso). La carga ahora es alimentada a través de la derivación para mantenimiento.

4.2.5 Transferencia desde el Modo en Derivación para Mantenimiento al Modo en Línea CA o ECO

El UPS regresará al modo en línea o al modo ECO (si está activado) una vez completado el siguiente procedimiento.

1. Confirme que la batería esté conectada. Encienda cualquier breaker del gabinete de baterías externas (si corresponde).
2. Encienda el breaker de la Derivación.
3. Encienda el Breaker de la Alimentación Principal.
4. Encienda el Breaker de Salida.
5. El UPS se transferirá al modo en Derivación poco después de la inicialización. Confirme que la unidad se haya transferido a modo de Derivación para Mantenimiento y el LED de Derivación esté encendido antes de continuar.
6. Apague el Breaker de Derivación para Mantenimiento.
7. Reinstale la placa de cubierta del breaker de Derivación para Mantenimiento al UPS usando los tornillos suministrados.
8. El UPS se transferirá al Modo en Línea o al Modo ECO dentro de uno a dos minutos. El inversor realizará un arranque lento y aumentará hasta el voltaje nominal. Al finalizar, el UPS se transferirá al Modo en Línea o al Modo ECO (si está activado).
9. Confirme que no haya alarmas activas.

4. Operación

4.3 Alarmas, LEDs y Pantalla LCD

4.3.1 Descripción General de Alarmas Acústicas e Indicadores LED

Modos del UPS	Alarmas Acústicas		LEDs de Pantalla			
	Estado de la Alarma	Silenciable Encendido y Apagado	Alarma	Batería	Derivación	Inversor
Inicialización del UPS	Bip, 1x	No	Destella/0.5s	Destella/0.5s	Destella/0.5s	Destella/0.5s
Modo en Línea del UPS (Normal)	Sin Bips	Sin Bips	Apagado	Apagado	Apagado	Encendido
Modo de Respaldo por Batería del UPS	Bip/2s	Sí	Apagado	Apagado	Encendido	Apagado
Modo de Prueba de la Batería del UPS	Sin Bips	Sin Bips	Apagado	Apagado	Encendido	Apagado
Modo ECO del UPS	Sin Bips	Sin Bips	Apagado	Encendido	Apagado	Apagado
Modo en Espera del UPS	Sin Bips	Sin Bips	Apagado	Apagado	Apagado	Apagado
Modo de Derivación Estática del UPS	Sin Bips	Sin Bips	Apagado	Encendido	Apagado	Apagado
Modo en Derivación para Mantenimiento del UPS	Sin Bips	Sin Bips	Apagado	Encendido	Apagado	Apagado
Modo de Convertidor de Frecuencia del UPS	Sin Bips	Sin Bips	Apagado	Apagado	Apagado	Encendido
Sobrecarga del UPS	Bip/1s	Sí	Apagado	Apagado	Apagado	Destella/2s
Advertencias del UPS	Bip/2s o Bip/1s	Sí	Destella/2s	Destella/2s	Apagado	Encendido
Fallas del UPS	Bip/2s o Bip/1s	Sí	Encendido	Encendido	Apagado	Apagado

4.3.2 Introducción al Panel de Control LCD

La pantalla LCD incorporada tiene una gran variedad de funciones y es intuitiva en su uso. Las siguientes cubren las características principales accesibles a través de la pantalla.

Nota: La mayoría de los parámetros no pueden cambiarse cuando el UPS está en modo de inversor.

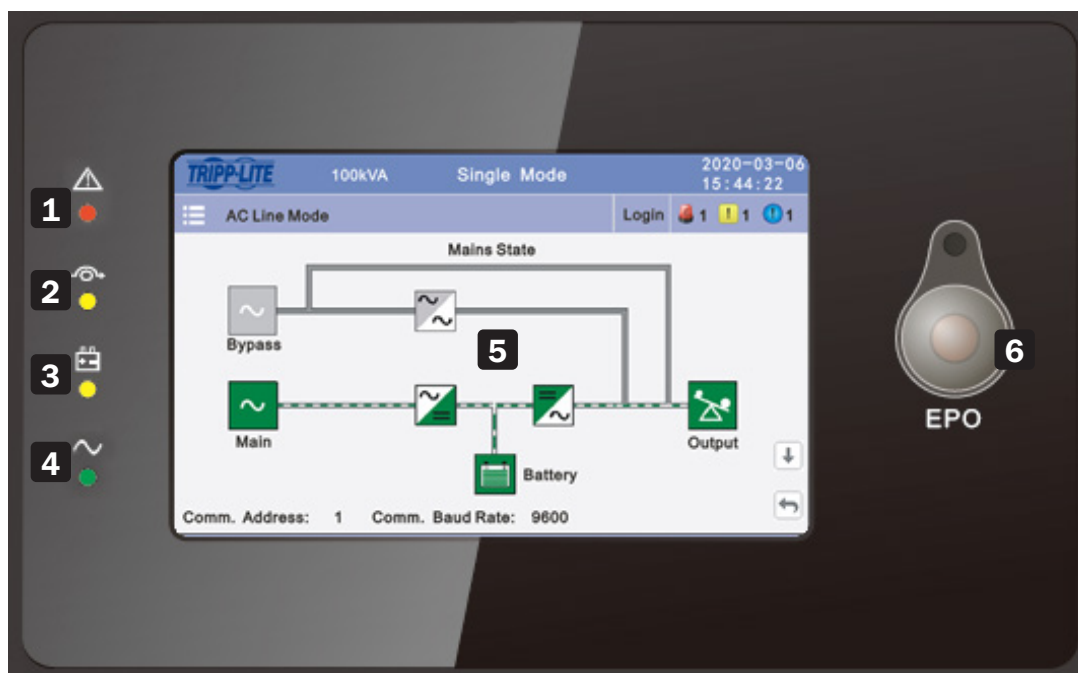


Figura 4-6: Descripción general del panel de operación del UPS

- 1 LED de Alarma
- 4 LED del Inversor
- 2 LED de Derivación
- 5 Pantalla LCD Táctil, 127 mm [5"]
- 3 LED de la Batería [En Respaldo]
- 6 Botón EPO (el botón debe presionarse por al menos 3 segundos para activar EPO)

4. Operación

4.3.3 Página Principal: Pantalla Predeterminada

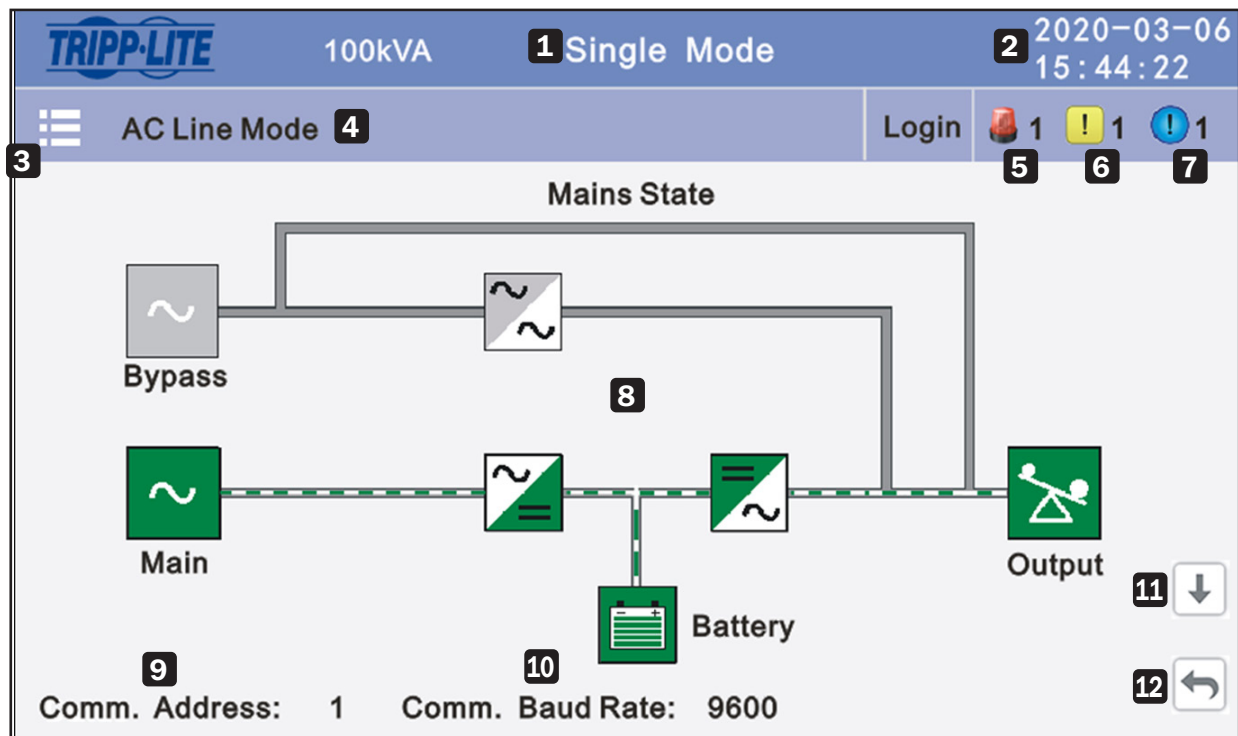


Figura 4-7A: Página Principal del LCD

- 1** Monomodo = Un Solo UPS (No conectado en paralelo)
- 2** Fecha/Hora
- 3** Menú
- 4** Estado de Operación
- 5** Falla
- 6** Alarma
- 7** Evento
- 8** Página de datos
- 9** Dirección de Comunicaciones
- 10** Tasa de Baudios de Comunicaciones
- 11** Página Abajo - Oprima para acceder a la página principal del LCD 2 (Figura 4-7B)
- 12** Volver

The screenshot shows page 2 of the TRIPP-LITE LCD, displaying various system parameters. The top header includes 'TRIPP-LITE 100kVA Single Mode' and the date/time '2020-03-06 15:44:22'. Below the header, 'AC Line Mode' and 'Login' are visible, along with three status icons (red alarm bell, yellow warning triangle, blue event icon). The main content is organized into several sections:

Input Voltage(V) A 120.0V B 120.0V C 120.0V	Online Battery 100% 999M Float charging	Output Freq(Hz) 60.0Hz
Input current(A) A 1.0A B 1.0A C 1.0A	Apparent Power(kVA): 00.0 00.0 00.0 Actv Power(kW): 00.0 00.0 00.0 Load Rate(%): 0% 0% 0%	Output Voltage(V) A 120.0V B 120.0V C 120.0V
		Output current(A) A 1.0A B 1.0A C 1.0A

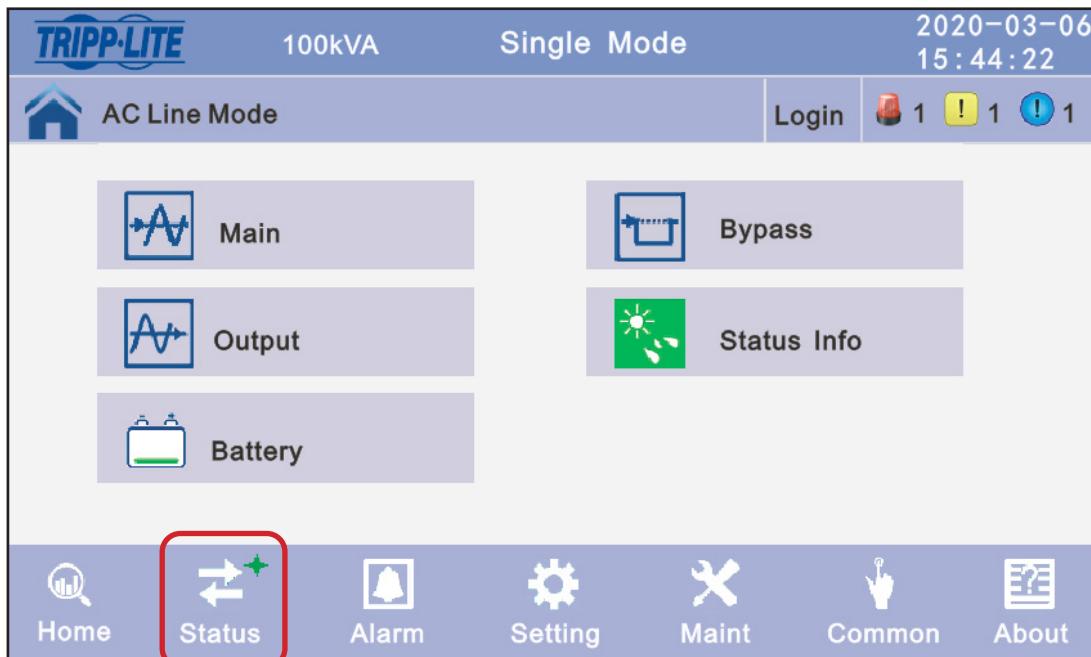
Navigation buttons for 'Page Up' and 'Page Down' are visible on the right side of the screen.

Figura 4-7B: Página Principal del LCD 2. (Presione el Ícono Page Up [página hacia arriba] para regresar a la página principal que se muestra en la Figura 4-7A).

4. Operación

4.3.4 Pantalla de Estado

Haga clic en el ícono de **Estado** para ingresar a la ventana de la pantalla de estado, ver el voltaje y la corriente del principal, derivación, salida y batería (o entrada a través del bloque de datos en tiempo real), ver el estado del switch y ver el estado del contacto seco. Haga clic en el ícono para ingresar la ventana de datos correspondiente.



1. Haga clic en el ícono **Principal** para ingresar a la ventana de la pantalla de datos principales. Haga clic en el ícono atrás para regresar a la ventana anterior. Haga clic en el ícono de la página principal para saltar a la página principal.

	A	B	C
Phase Volt (V) :	120.0	120.0	120.0
Line Volt (V) :	208.0	208.0	208.0
Phase Freq (Hz) :	60.0	60.0	60.0
Phase Current (A) :	1.0	1.0	1.0
Input PF factor:	0.932	0.931	0.921

Figura 4-9: Ventana de Pantalla de Datos Principales

4. Operación

2. Haga click en el **Ícono de Derivación** para ingresar a la ventana de la pantalla de datos en derivación. Haga click en el **Ícono Atrás** para regresar a la ventana anterior. Haga click en el **Ícono de la Página de Inicio** para saltar a la página principal.

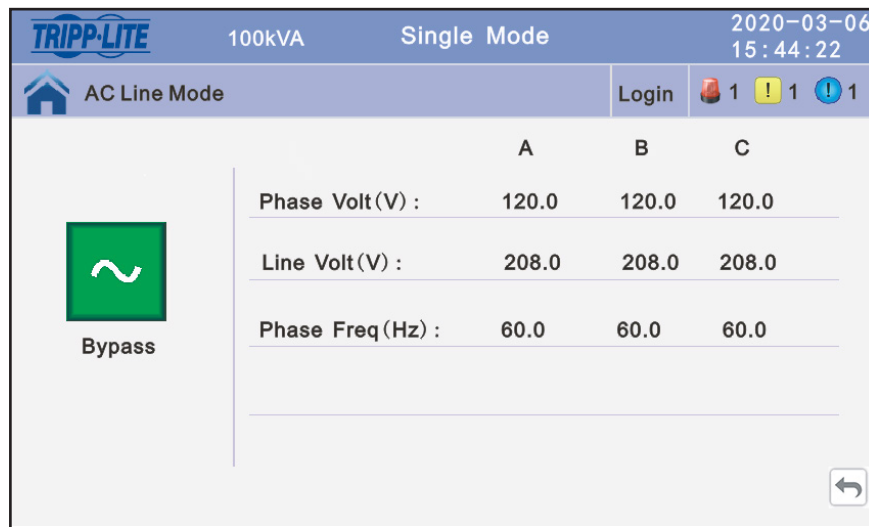


Figura 4-10: Ventana de la Pantalla de Datos de la Derivación

3. Haga click en el **Ícono de Salida** para ingresar a la ventana de la pantalla de datos de salida. Haga click en el **Ícono Atrás** para regresar a la ventana anterior. Haga click en el **Ícono de la Página de Inicio** para saltar a la página principal.

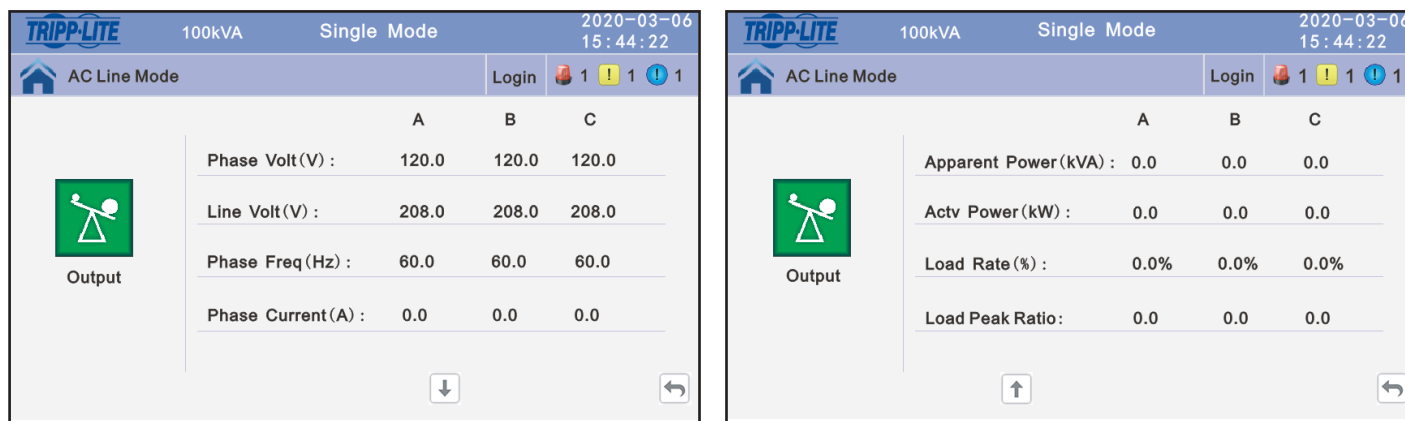


Figura 4-11: Ventana de Pantalla de Datos de Salida

4. Operación

4. Haga click en el ícono de **Información de Estado** para ingresar a la ventana de la pantalla de estado. Haga click en el ícono **Atrás** para regresar a la ventana anterior. Haga click en el ícono de la **Página de Inicio** para saltar a la página principal.

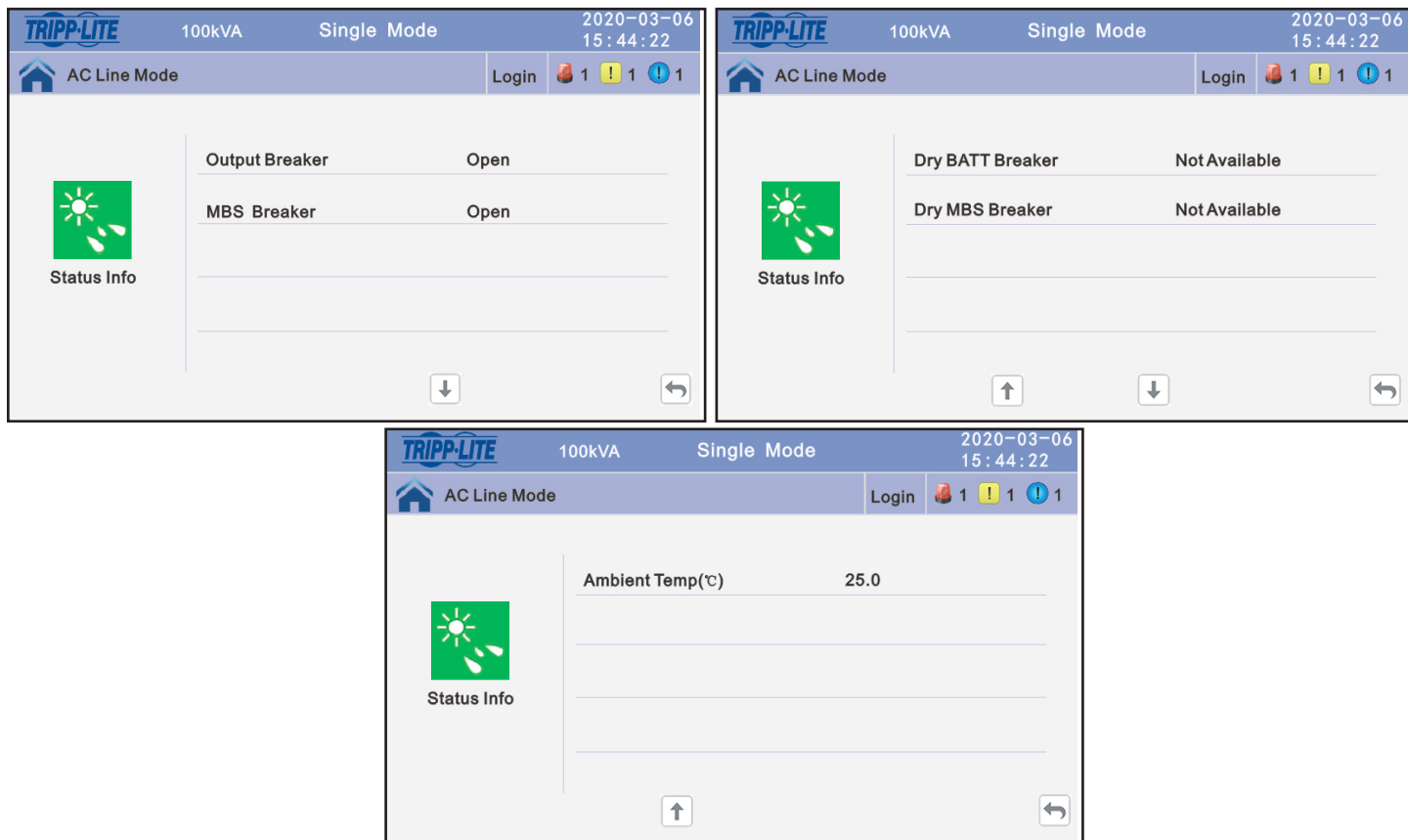


Figura 4-12: Ventana de Visualización de Estado

5. Haga click en el ícono de la **Batería** para ingresar a la ventana de la pantalla de datos de la batería. Haga click en el ícono **Atrás** para regresar a la ventana anterior. Haga click en el ícono de la **Página de Inicio** para saltar a la página principal.

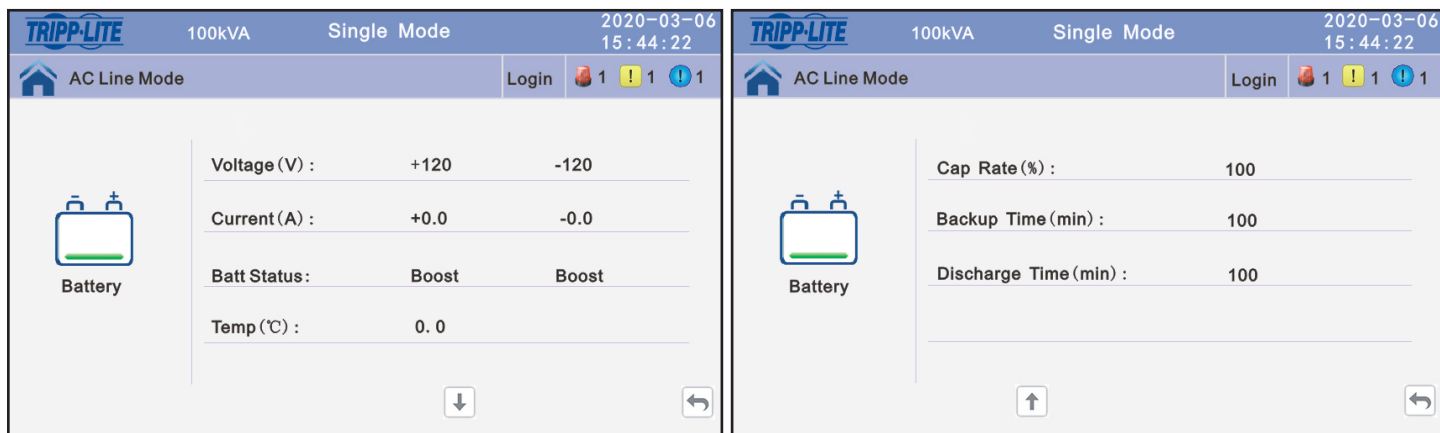


Figura 4-13: Ventana de Visualización de Datos de la Batería

4. Operación

4.3.5 Interfaz de la Alarma

Haga clic en el ícono de **Alarma** para ingresar a la interfaz de alarma, ver las alarmas y el historial de alarma del UPS y encender o apagar el zumbador.

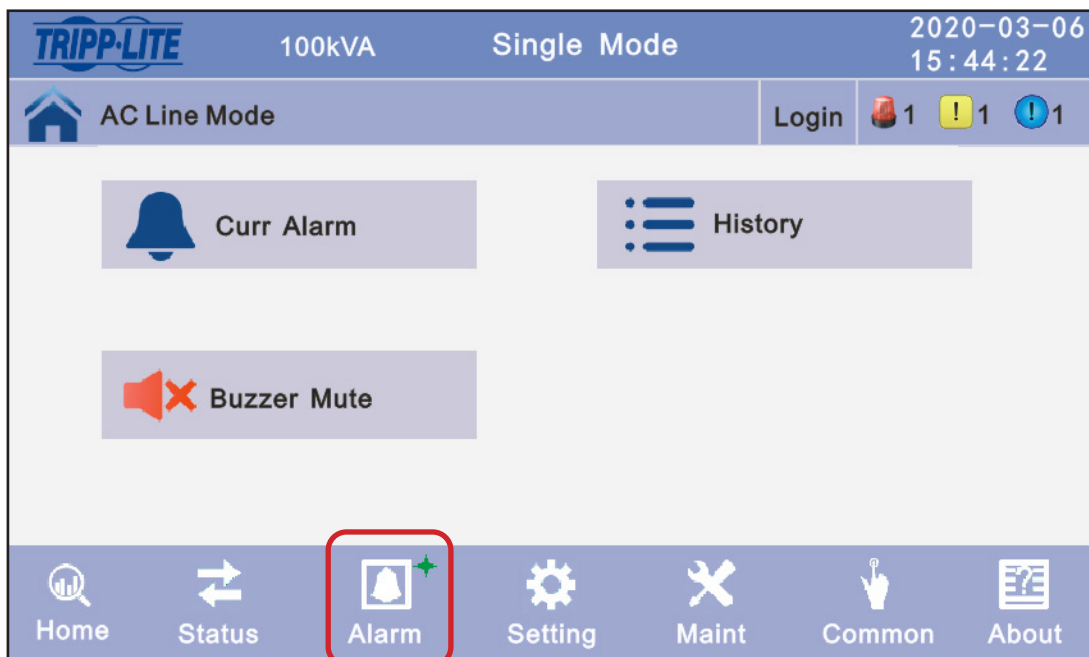


Figura 4-14: Interfaz de Alarma

1. Haga clic en el ícono de **Alarma Actual** para ingresar a la ventana de la pantalla de alarma actual. Haga clic en el ícono **Atrás** para regresar a la ventana anterior. Haga clic en el ícono de la **Página de Inicio** para saltar a la página principal.

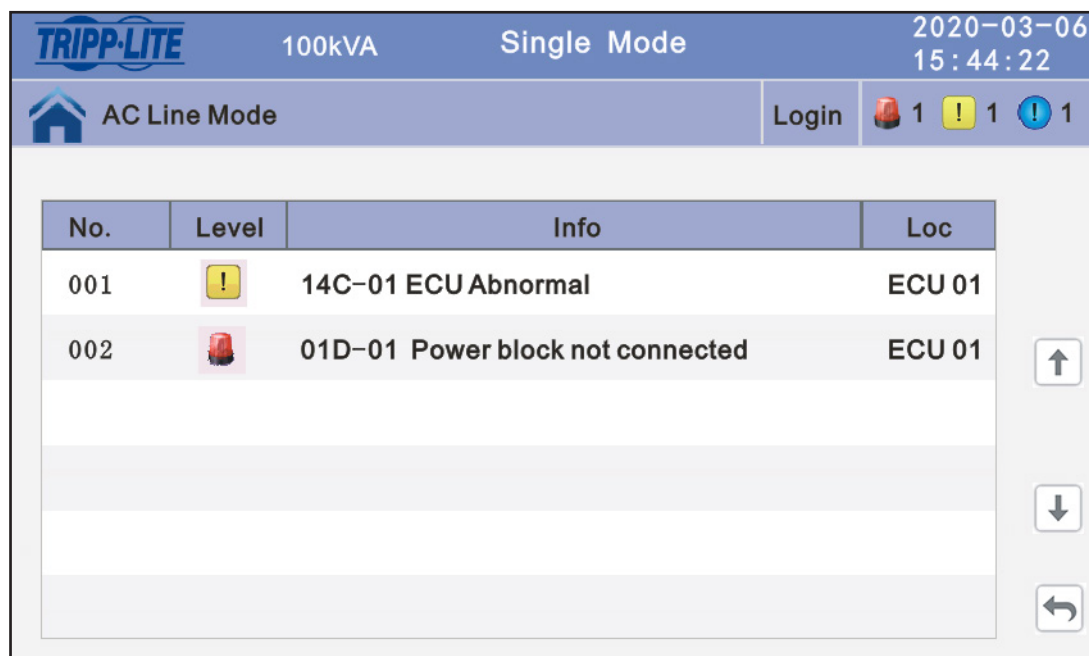


Figura 4-15: Ventana de Pantalla de Alarma Actual

4. Operación

- Haga clic en el ícono de **Historial** para ingresar a la ventana de la pantalla de historial. Desplácese hacia arriba y hacia abajo de la página para ver todas las alarmas recientes. Haga clic en el ícono **Atrás** para regresar a la ventana anterior. Haga clic en el ícono de la **Página de Inicio** para saltar a la página principal.

No.	Level	Info	Loc	Time
0001	!	On Line	System	2020-03-06 15:43:00
0002	!	Rectifier Activated	System	2020-03-06 15:43:00

Figura 4-16: Ventana de Pantalla de Historial

- Haga clic en el ícono de **Silenciado del Zumbador** para silenciar el zumbador. El ícono rojo se pondrá verde. Para activar el zumbador, haga clic en el ícono **Abrir Zumbador**. El ícono verde se pondrá rojo.

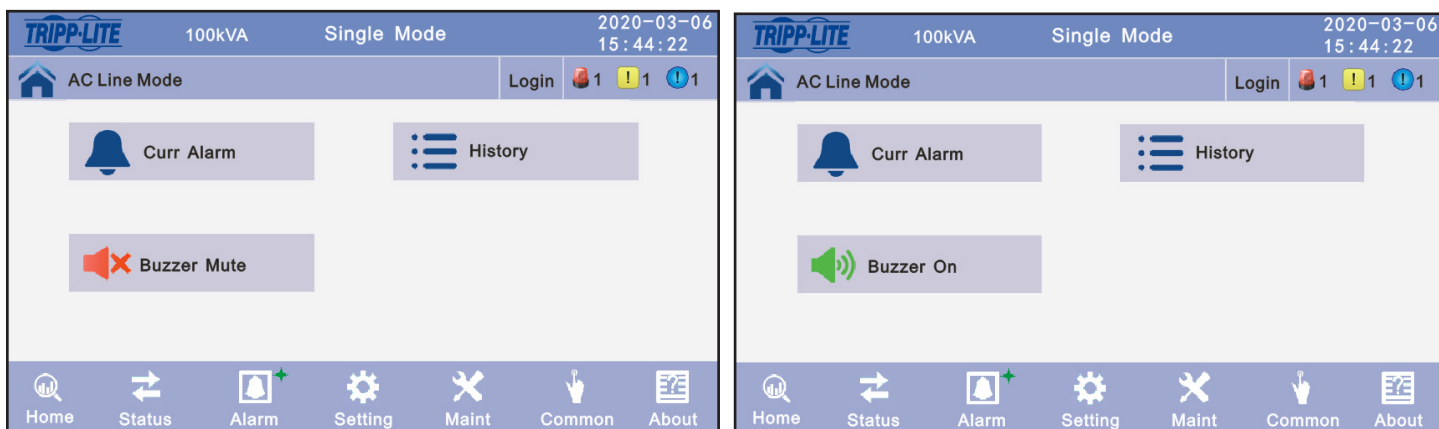


Figura 4-17: Zumbador Silenciado / Zumbador Habilitado

4. Operación

4.3.6 Pantalla de Configuración

Hay dos niveles: Configuración Básica para usuarios y Configuración Avanzada para administradores y gerentes.

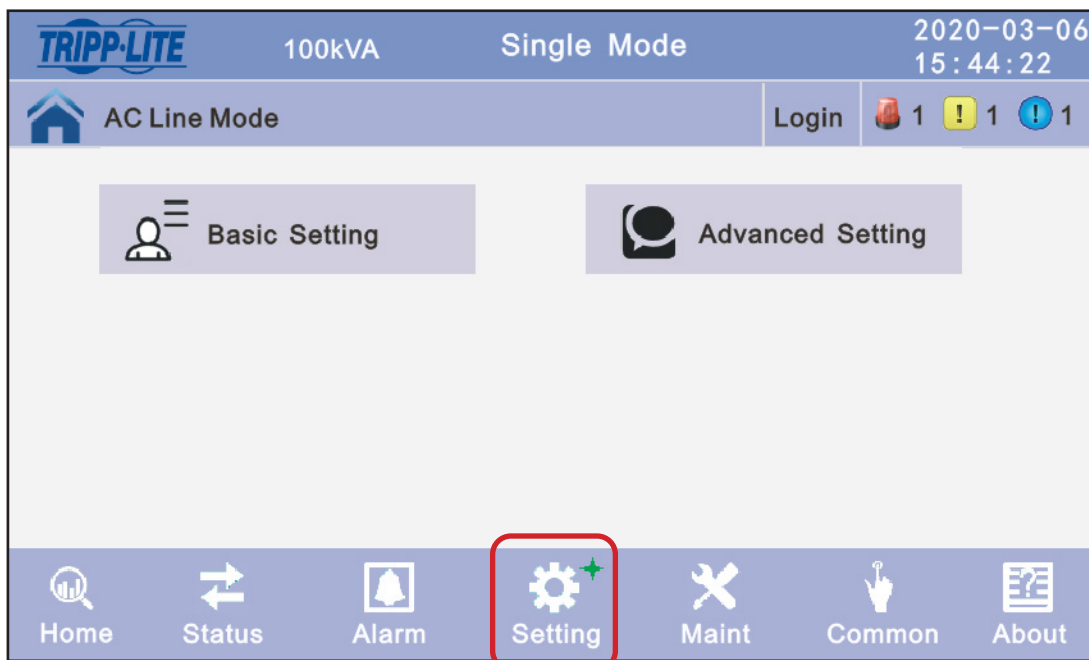


Figura 4-18: Pantalla de Configuración

4.3.6.1 Pantalla de Configuración Básica

Haga click en el **Ícono de Configuración Básica** e ingrese la contraseña. La contraseña predeterminada del usuario es **111111**.

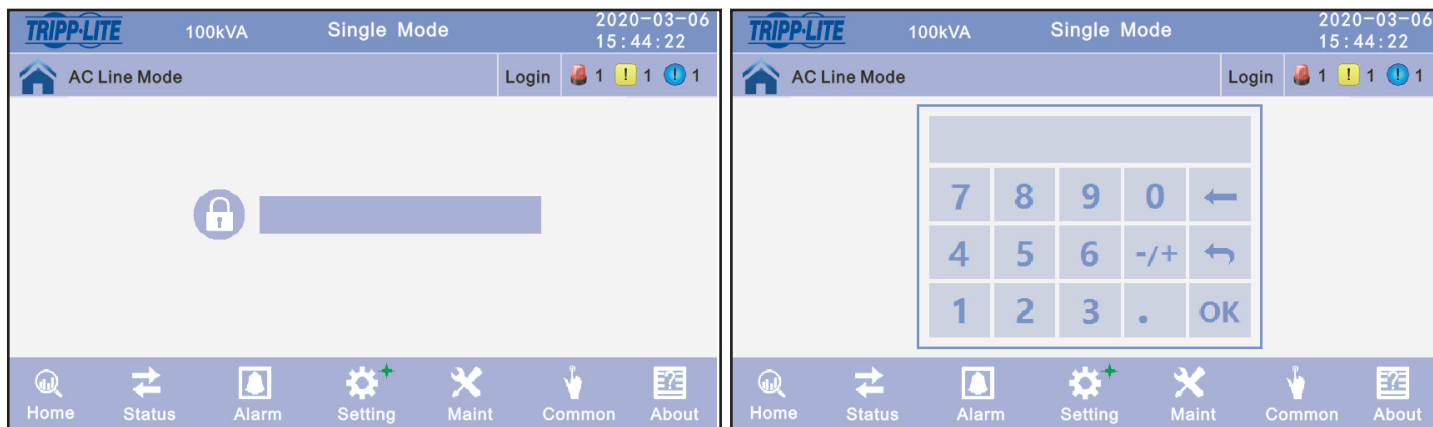


Figura 4-19: Ingrese la Contraseña para Acceso a Configuración Básica

4. Operación

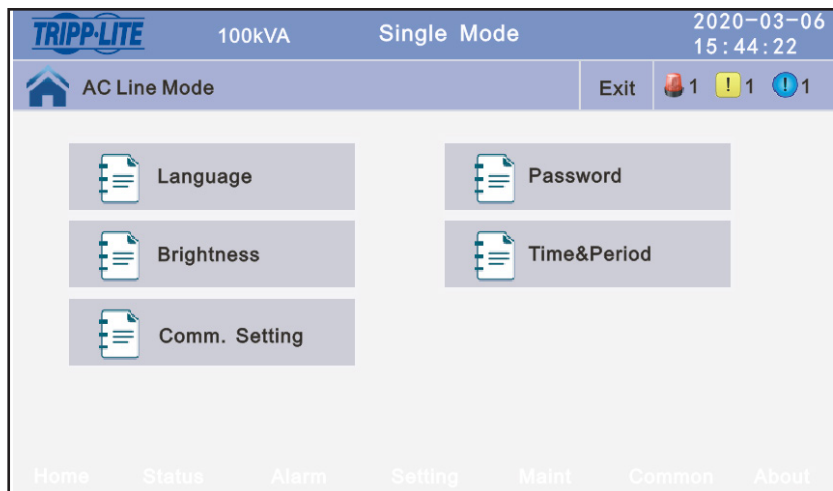


Figura 4-20: Interfaz de Configuración Básica

1. Haga clic en el ícono de **Idioma** para ingresar la interfaz de configuraciones de idioma. Haga clic en **Guardar Configuración** para guardar la configuración. Haga clic en el ícono **Atrás** para regresar a la ventana anterior. Haga clic en el ícono de la **Página de Inicio** para saltar a la página principal.

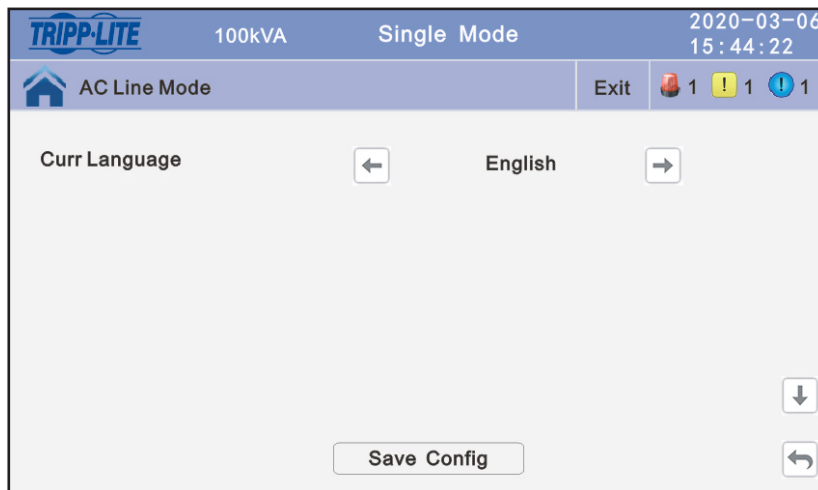


Figura 4-21: Configuraciones de Idioma

4. Operación

- Haga click en el ícono de **Contraseña** para ingresar a la interfaz de configuraciones de contraseña del usuario. Introduzca la contraseña anterior, introduzca la contraseña nueva y vuelva a ingresar la contraseña nueva. El formato de la contraseña es de seis números. Haga click en **Guardar Configuración** para confirmar el cambio.

La configuración de Tiempo de Bloqueo de la Contraseña determina cuánto tiempo (en minutos) puede pasar sin tocar el LCD antes de que el usuario deba volver a iniciar sesión. Haga click en la flecha izquierda o derecha para cambiar el valor.

Haga click en el ícono **Atrás** para regresar a la ventana anterior. Haga click en el ícono de la **Página de Inicio** para saltar a la página principal.

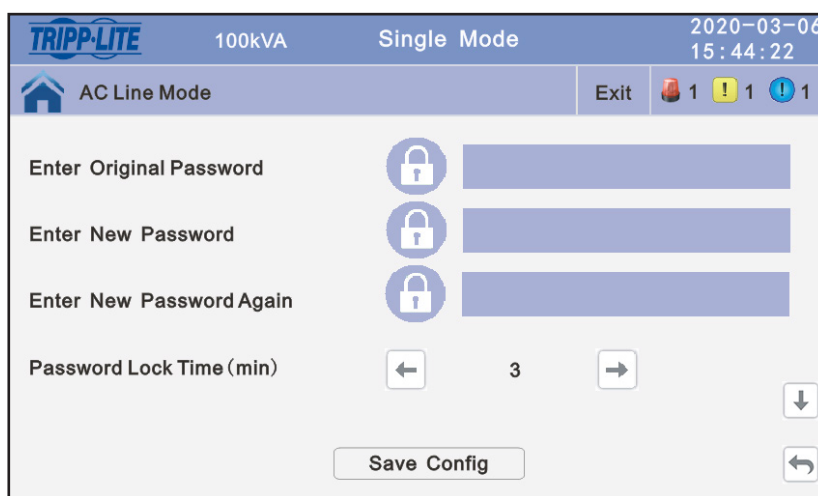


Figura 4-22: Actualización de la Interfaz de la Contraseña

- Haga click en el ícono de **Brillo** para ajustar el brillo de de la pantalla y el tiempo de la luz de fondo.

Brillo: Haga click en el texto para ingresar un nuevo valor. El rango de valor es de 1 a 63. El predeterminado es 63.

Tiempo de la Retroiluminación: Haga click en el texto para cambiar el tiempo de visualización de la retroiluminación del LCD. El rango de valor es de 1 a 255. El predeterminado es 60.

Haga click en el ícono **Atrás** para regresar a la ventana anterior. Haga click en el ícono de la **Página de Inicio** para saltar a la página principal.

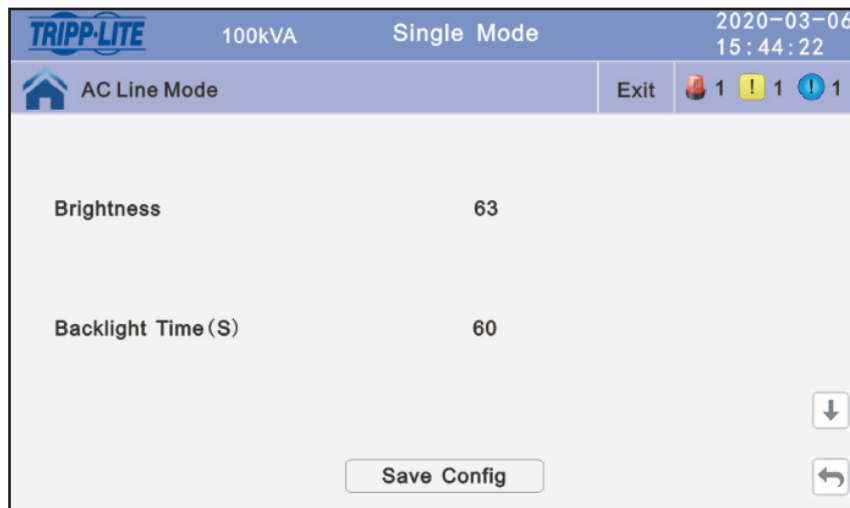


Figura 4-23: Configuraciones de Brillo y Tiempo de la Retroiluminación

4. Operación

4. Haga click en el ícono de **Hora y Período** para cambiar la fecha actual y la hora actual. Haga click en el texto para ingresar un nuevo valor. Haga click en **Guardar Configuración** para confirmar el cambio.

Haga click en el ícono **Atrás** para regresar a la ventana anterior. Haga click en el ícono de la **Página de Inicio** para saltar a la página principal.

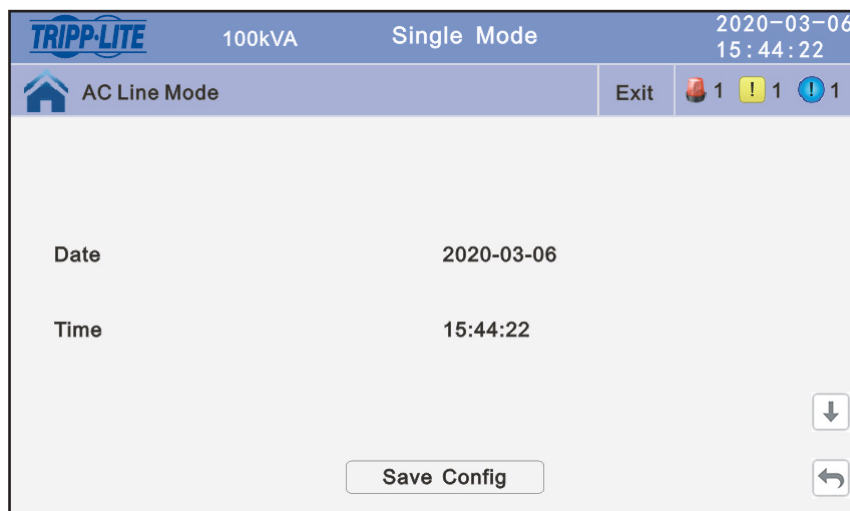


Figura 4-24: Configuraciones de fecha y hora

5. Haga click en el ícono de **Configuración de Comunicaciones** para actualizar los parámetros de comunicación del sistema UPS. Haga click en el texto para seleccionar o ingresar un valor nuevo. Haga click en **Guardar Configuración** para confirmar el cambio.

Puertos de Dirección: ID de comunicación del UPS. El rango de dirección es de 1 a 15. El valor predeterminado es 1.

Puertos de Tasa de Baudios: Las configuraciones de tasa de baudios disponibles son 2400, 4800, 9600, 14400 y 19200. El valor predeterminado es 9600.

Haga click en el ícono **Atrás** para regresar a la ventana anterior. Haga click en el ícono de la **Página de Inicio** para saltar a la página principal.

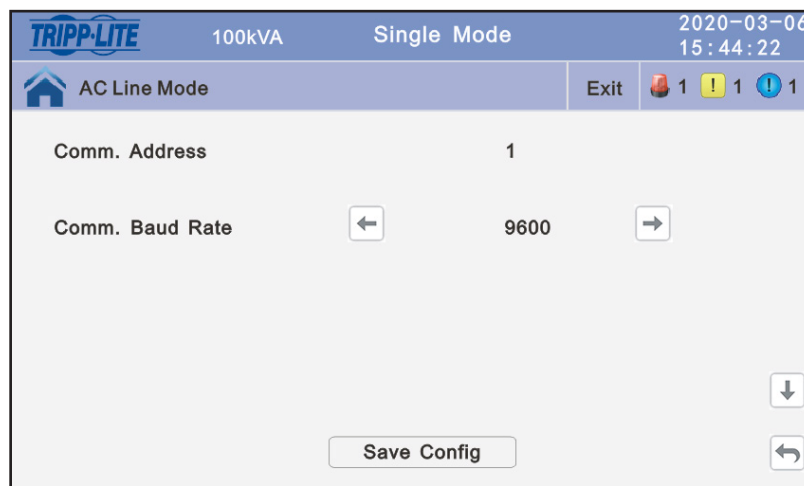


Figura 4-25: Configuraciones de Comunicación

4. Operación

4.3.6.2 Pantalla de Configuración Avanzada

Haga click en el ícono de **Configuración Avanzada** e ingrese la contraseña. La contraseña del usuario es 191210.

Nota: Las operaciones avanzadas están diseñadas para ser realizadas solamente por técnicos certificados de Tripp Lite.

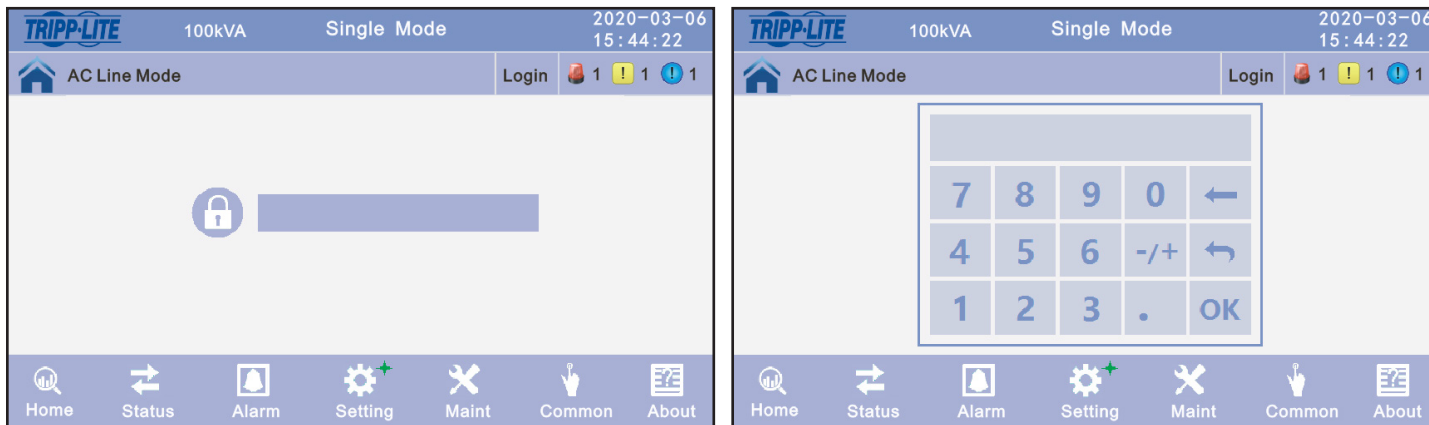


Figura 4-26: Ingrese la Contraseña para Acceder a las Configuraciones Avanzadas

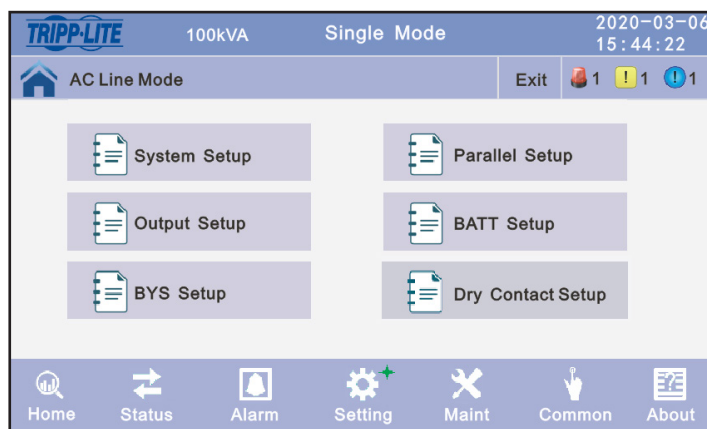


Figura 4-27: Interfaz de Configuraciones Avanzadas

4. Operación

4.3.6.2.1 Configuración del Sistema

Haga click en el ícono de **Configuración del Sistema**. Seleccione la configuración a cambiar / guardar. Haga click en el ícono **Atrás** para regresar a la ventana anterior o haga click en el ícono de la **Página de Inicio** para saltar a la página principal.

Configuraciones de Configuración Avanzada del Sistema:

Modo de Trabajo: Seleccione el modo de trabajo del UPS, modo de trabajo: Modo Individual, Modo en Paralelo, Modo ECO, Modo ECO+ Máquina en Paralelo. Valor predeterminado: Modo ECO.

Encendido Automático: Seleccione la lógica de arranque del UPS. Activado: Arranque automático de la salida del inversor del UPS. Desactivado: Sin Salida.

Nota: Si desea que el UPS reinicie automáticamente después de que las baterías alcancen un corte de bajo voltaje y el UPS se apague, debe configurarse la activación del encendido automático.

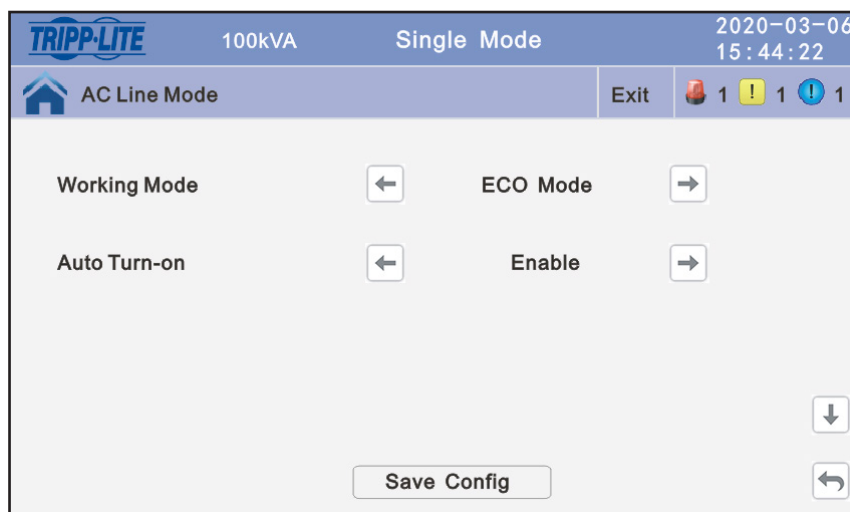


Figura 4-28A: Configuración Avanzada del Sistema

Modo Conv Frec: Modo de Conversión de Frecuencia. Activado: La frecuencia de salida es 50 Hz o 60 Hz, la frecuencia de entrada es 60 Hz o 50 Hz, sin alarma sin batería y derivación anormal. Predeterminado: Desactivado.

Modo LBS: Valores de configuración: LBS inactivo, LBS maestro, LBS esclavo. Predeterminado: LBS inactivo.

Temperatura de Flotación. Compen: Switch de compensación de sensor de temperatura. Para conectar un sensor de temperatura de la batería, cambie el valor para activarlo.

Selección del Sensor Temp: Selección del tipo de sensor de temperatura. Hay dos opciones: NTC y RS485. Use NTC para sensor único y a cortas distancias. Use RS485 para múltiples sensores y grandes distancias.

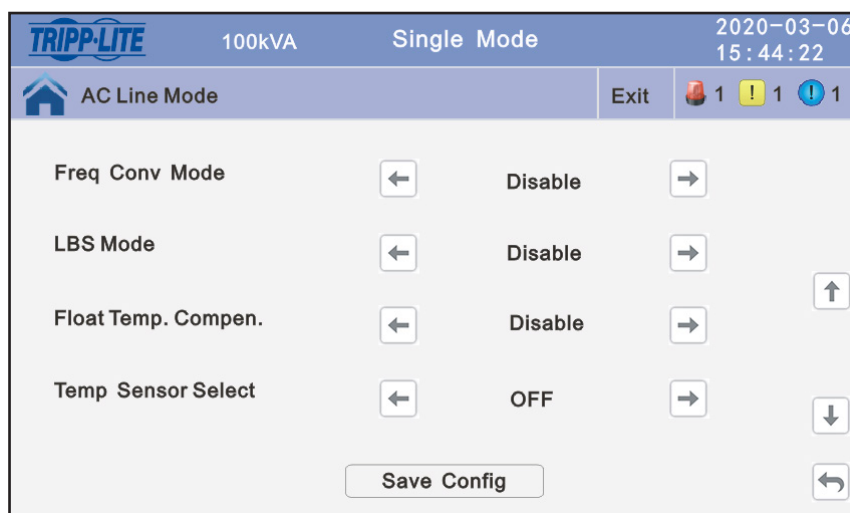


Figura 4-28B: Configuración Avanzada del Sistema

4. Operación

Entrada(s) de interconexión de energía [Inter Power Walk]: Cuando los sistemas UPS están en modo en paralelo, esta configuración permite al UPS controlar el intervalo que cada UPS transfiere de Modo en respaldo por batería a modo normal, reduciendo el impacto en el generador o red de energía. El rango de valor es de 1 a 200. El valor predeterminado es 10.



Figura 4-28C: Configuración Avanzada del Sistema

4.3.6.2.2 Parámetros de Conexión en Paralelo

Identificación en Paralelo: La identificación en paralelo debe modificarse después de configurar el modo de trabajo a modo en paralelo. El rango de valor es de 1 a 6. El valor predeterminado es 1.

Paralelo para Unidades de Capacidad: El número de gabinete en paralelo debe modificarse por el número total de gabinetes en paralelo después de configurar el modo de trabajo a modo en paralelo. El rango de valor es de 2 a 6. El valor predeterminado es 2.

Unidades para Redundancia en Paralelo: El número del gabinete con redundancia en paralelo puede modificarse después de configurar el modo de trabajo a modo en paralelo. El rango de valor es de 0 a 5. El valor predeterminado es 0.

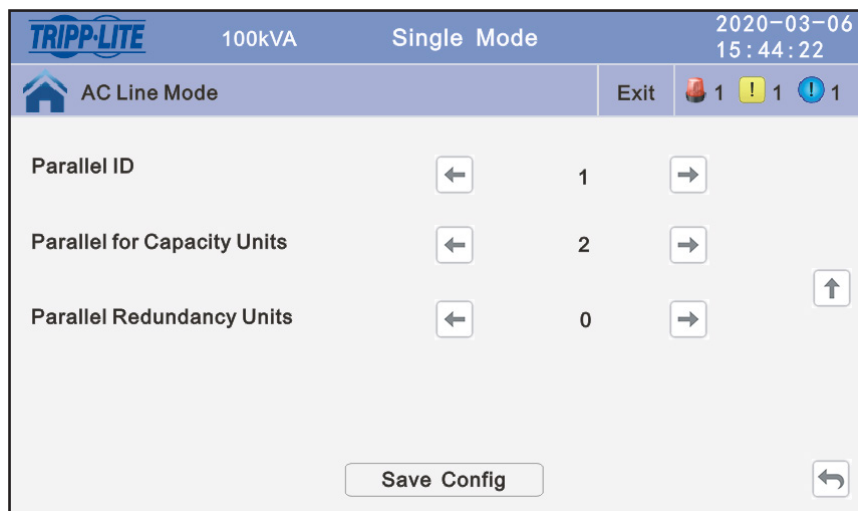


Figura 4-29: Parámetros en Paralelo

4. Operación

4.3.6.2.3 Parámetros de Salida

Frec de Salida (Hz): Frecuencia de Salida. El valor puede ser 50 Hz o 60 Hz.

Nivel de Voltaje de Salida (V): Nivel de voltaje de salida. El valor puede ser de 120 ó 127.

Ajuste de Voltaje del Inversor (%): Voltaje del inversor regulado. El valor puede ser -5% - 0 - +5% en incrementos del 0.5%. El valor predeterminado es 0.



Figura 4-30: Parámetros de Salida

4. Operación

4.3.6.2.4 Parámetros de Respaldo por Batería

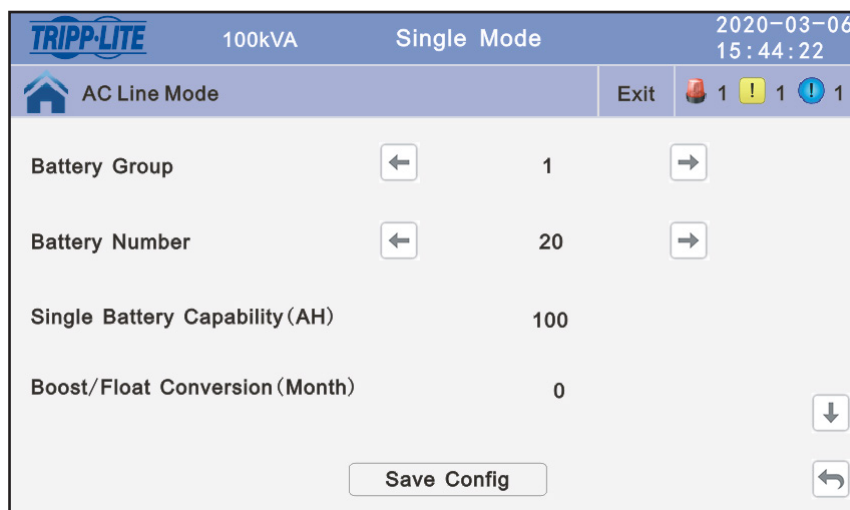
Nota: La configuración del UPS para el gabinete de baterías depende de qué modelo de UPS S3M y qué modelo de gabinete de baterías se están conectando juntos. Para instrucciones específicas de configuración del UPS, consulte el manual del gabinete de baterías de la Serie S3M.

Grupo de Baterías: La cantidad del grupo de baterías es 1 para cada juego de 20 baterías que estén dentro del UPS o el gabinete de baterías conectado al UPS. Por ejemplo, el UPS modelo S3M100K no tiene baterías internas. Sin embargo, para conectar un gabinete de baterías BP240V100L (40 baterías internas) al UPS S3M100K, debe configurar el S3M100K al grupo de baterías 2 y, si conecta un segundo gabinete de baterías BP240V100L al UPS S3M100K, debe actualizar el grupo de baterías a 4. El rango de valor es de 1 a 6. El valor predeterminado es 1.

Número de Baterías: El valor predeterminado es 20. El número de baterías debe permanecer en 20 para todos los UPS modelo S3M10-100K ya sea que se use con o sin gabinetes de baterías externas de Tripp Lite diseñados para la línea de UPS de la Serie S3M.

Capacidad de Una Sola Batería (Ah): Modifique el valor a la capacidad de Ah individual para una batería. El rango de valor es de 7 a 2000.

Conversión de Elevación y Flotación (Mes): Configure la carga de elevación y el tiempo de conversión de carga en flotación. El rango de valor es de 0 a 24. El valor predeterminado es 0.



The screenshot shows the configuration interface for a Tripp-Lite UPS. At the top, it displays 'TRIPP-LITE', '100kVA', 'Single Mode', and the date/time '2020-03-06 15:44:22'. Below this is a header for 'AC Line Mode' with an 'Exit' button and three status indicators (red, yellow, blue) each with a '1'. The main configuration area has four rows:

Parameter	Value
Battery Group	1
Battery Number	20
Single Battery Capability (AH)	100
Boost/Float Conversion (Month)	0

At the bottom, there is a 'Save Config' button and a back arrow icon.

Figura 4-31A: Parámetros de la Batería

4. Operación

Coef. de limitación de corriente de carga. (C): El límite de corriente de carga es un múltiplo de la capacidad de la batería. El rango de valor es de 0.05 a 0.25. El valor predeterminado es 0.15. Consulte el manual del Propietario específico del gabinete de baterías de Tripp Lite para ver el coeficiente recomendado (Coef.) basado en el UPS modelo S3M y el modelo de gabinete de baterías de Tripp Lite.

Voltaje de flotación de celda (V/Celda): El rango del valor de voltaje de flotación es de 2.20 a 2.29 V/celda. El valor predeterminado es 2.27 V/celda.

Voltaje de elevación de celda (V/celda): El rango de valor de voltaje ecualizado de la batería es de 2.30 a 2.40 V/celda. El valor predeterminado es 2.35 V/celda.

Duración de Carga Promedio (min): Límite de tiempo de carga de refuerzo. El rango de valor es de 1 a 999 minutos. El valor predeterminado es 240. Consulte el manual del Propietario específico del gabinete de baterías de Tripp Lite para ver la Duración de Carga Promedio (min) recomendado basado en el UPS modelo S3M y el modelo de gabinete de baterías de Tripp Lite.

The screenshot shows the 'AC Line Mode' configuration screen for a Tripp-Lite 100kVA UPS in Single Mode. The interface includes a header with the Tripp-Lite logo, unit information, mode, and date/time. Below the header, there are status indicators for 'Exit', a battery icon with '1', a warning icon with '1', and a blue icon with '1'. The main area contains four adjustable parameters, each with left and right arrow buttons: 'Chg. cur. limiting coef. (C)' set to 0.25, 'Cell float voltage (V/Cell)' set to 2.27, 'Cell boost voltage (V/Cell)' set to 2.35, and 'Aver Charging Duration (min)' set to 240. A 'Save Config' button is located at the bottom, along with up and down navigation arrows.

Parameter	Value
Chg. cur. limiting coef. (C)	0.25
Cell float voltage (V/Cell)	2.27
Cell boost voltage (V/Cell)	2.35
Aver Charging Duration (min)	240

Figura 4-31B: Parámetros de la Batería

Voltaje de la Batería EOD (V/celda): Fin del voltaje de descarga. El rango de valor es de 1.60 a 1.90. El valor predeterminado es 1.67.

Coefficiente de Compensación de Temperatura en Flotación (V/Celda/°C): Modifique el voltaje de compensación después de activar el switch. El rango de valor es de 0.001 a 0.007/celda. El valor predeterminado es 0.003.

Configuración de Carga de Refuerzo: La configuración de la carga de elevación inactiva o activa. El predeterminado es activa.

Sin Advertencia de Batería: Cuando se configura en Desactivado, el zumbador no sonará. Configure para activar para advertencias acústicas de la batería. El predeterminado es activa.

The screenshot shows the 'AC Line Mode' configuration screen for a Tripp-Lite 100kVA UPS in Single Mode. The interface includes a header with the Tripp-Lite logo, unit information, mode, and date/time. Below the header, there are status indicators for 'Exit', a battery icon with '1', a warning icon with '1', and a blue icon with '1'. The main area contains four adjustable parameters, each with left and right arrow buttons: 'EOD Battery Volt (V/Cell)' set to 1.67, 'Float Temp Compens Coef. (V/Cell/°C)' set to 0.003, 'Boost Charge Setting' set to 'Enable', and 'No Battery Warning' set to 'Enable'. A 'Save Config' button is located at the bottom, along with up and down navigation arrows.

Parameter	Value
EOD Battery Volt (V/Cell)	1.67
Float Temp Compens Coef. (V/Cell/°C)	0.003
Boost Charge Setting	Enable
No Battery Warning	Enable

Figura 4-31C: Parámetros de la Batería

4. Operación

4.3.6.2.5 Parámetros de Derivación

Límite Inferior del Voltaje de Derivación (%): Cuando la diferencia entre el voltaje de derivación y el voltaje especificado excede el umbral inferior para el voltaje de derivación, el sistema determina que el voltaje de derivación es anormal y que la derivación no está disponible. El valor puede ser -10%, -15%, -20%, -30% o -40%. El valor predeterminado es -40%.

Límite de Voltaje de Derivación (%): Cuando la diferencia entre el voltaje en derivación y el voltaje especificado excede el umbral superior para el voltaje en derivación, el sistema determina que el voltaje en derivación no es normal y que la derivación no está disponible.

Notas:

- Cuando el nivel de voltaje es 120V, el rango de valor es 10%, 15%, 20% y 40% (predeterminado).
- Cuando el nivel de voltaje es 127V, el rango de valor es 10%, 15% y 20% (predeterminado).

Rango de Monitoreo de Frecuencia de Derivación: Cuando la diferencia entre la frecuencia de entrada en derivación y la frecuencia especificada es mayor que este valor, el sistema determina que la frecuencia de derivación no es normal y que la derivación no está disponible. El rango de valor es 1%, 2%, 4%, 5% (predeterminado), 10%.

Tasa de Seguimiento de la Frecuencia de Derivación (Hz/s): Seguimiento de frecuencia del inversor a la tasa de frecuencia de derivación. El rango de valor es de 0.5 a 2. El valor predeterminado es 1.

Fuente de alimentación una vez que haya sobret temperatura de BYP SCR: Especifica si se arranca el modo en derivación cuando ocurra una sobret temperatura. El predeterminado es activa.

Límite de Switches de Derivación: Las corrientes cruzadas ocurren durante la transferencia entre el modo en derivación y el modo normal, lo que impacta en el sistema. Este parámetro especifica el número de transferencias entre el modo en derivación y el modo normal dentro de 1 hora para garantizar la seguridad del sistema. El rango de valor es de 3 a 10 y el predeterminado es 10.

El EPO transfiere a BYP: Especifica si se transfiere al modo en derivación al oprimir el botón EPO. El predeterminado es inactivo.

The screenshot shows a control interface for a TRIPP-LITE 100kVA Single Mode system. The top bar displays the brand name, capacity, mode, and date/time (2020-03-06 15:44:22). Below this, there's a section for 'AC Line Mode' with an 'Exit' button and three status indicators (red, yellow, blue) each with a '1'. The main area lists four parameters with adjustable values and directional buttons:

Parameter	Value
Bypass Volt Prot Lower Limit (%)	-40
Bypass Volt Prot Limit (%)	25
Bypass Freq Tracking Range (%)	5
Bypass Tracking Rate (Hz/s)	1.0

At the bottom, there is a 'Save Config' button and a refresh icon.

Figura 4-32A: Parámetros de Derivación

4. Operación

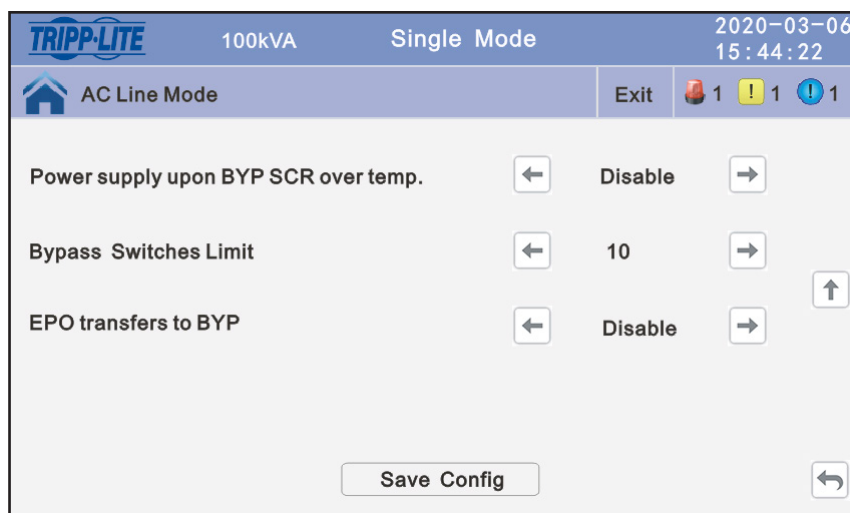


Figura 4-32B: Parámetros de Derivación

4.3.6.2.6 Parámetros de Contacto Seco

Disparo anormal de la batería BCB (DRV): Activa o desactiva la salida única de disparo de BCB. El predeterminado es inactivo.

Disparo de Retroalimentación de Derivación: Activa o desactiva la salida de retroalimentación de derivación. El predeterminado es inactivo.

Mantenimiento Externo. Breaker (MT): Activa o desactiva la detección de conexión de breaker de mantenimiento externo. El predeterminado es inactivo.

Breaker de la batería (BAT): Activa o desactiva la detección de la conexión del breaker de la batería. El predeterminado es inactivo.

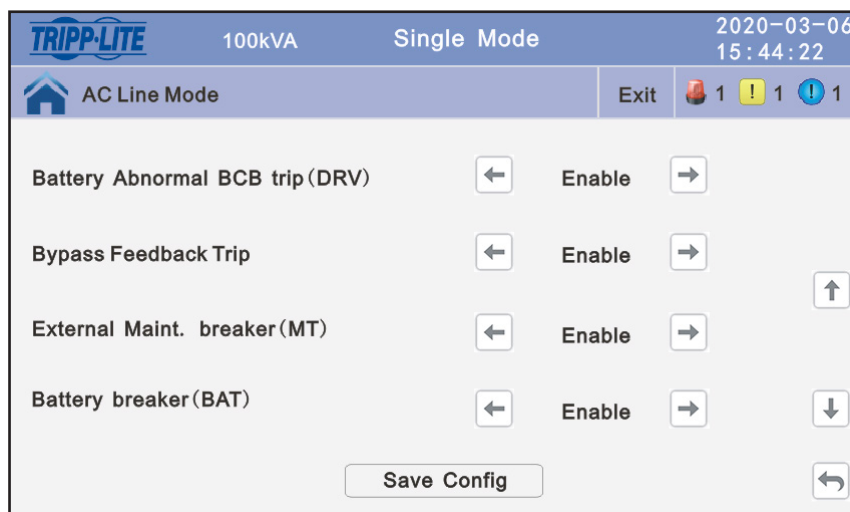


Figura 4-33: Parámetros de Contacto Seco

4. Operación

4.3.7 Pantalla Mant (Mantenimiento)

Haga click en el ícono **Maint** para ingresar a la interfaz de mantenimiento, en donde puede descargar realizar comprobación automática de la batería y correcciones de pantalla.

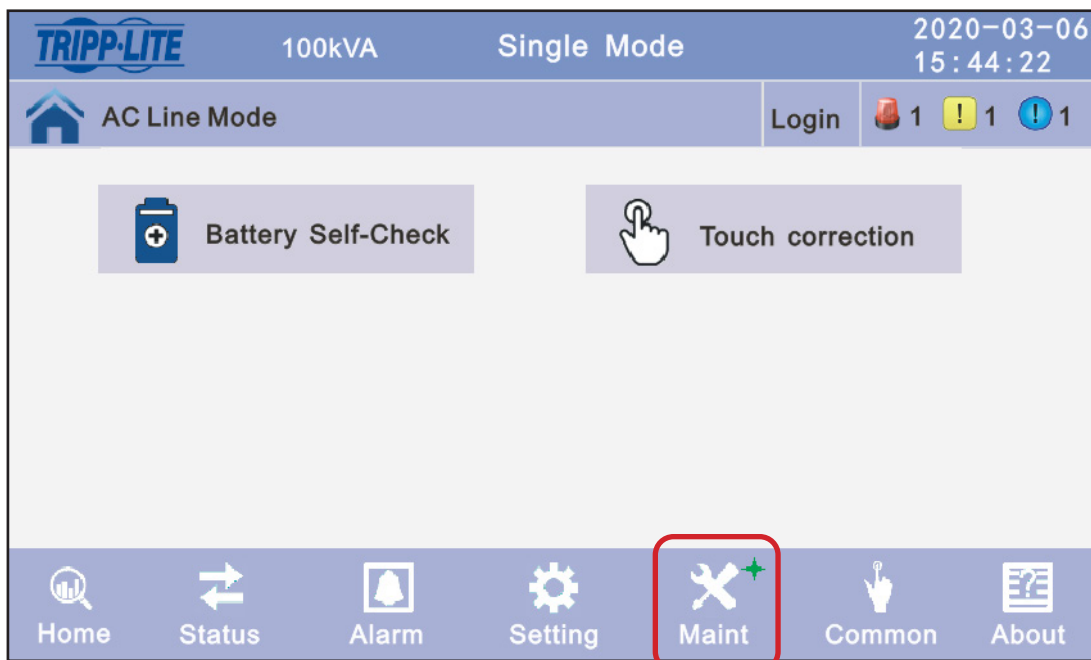


Figura 4-34: Pantalla de Mantenimiento

Comprobación Automática de la Batería: Seleccione el tiempo para la comprobación de la batería por temporizado diario, temporizado semanal o modo de ciclo. El valor predeterminado es Temporizado Comprobación Automática Cierre.

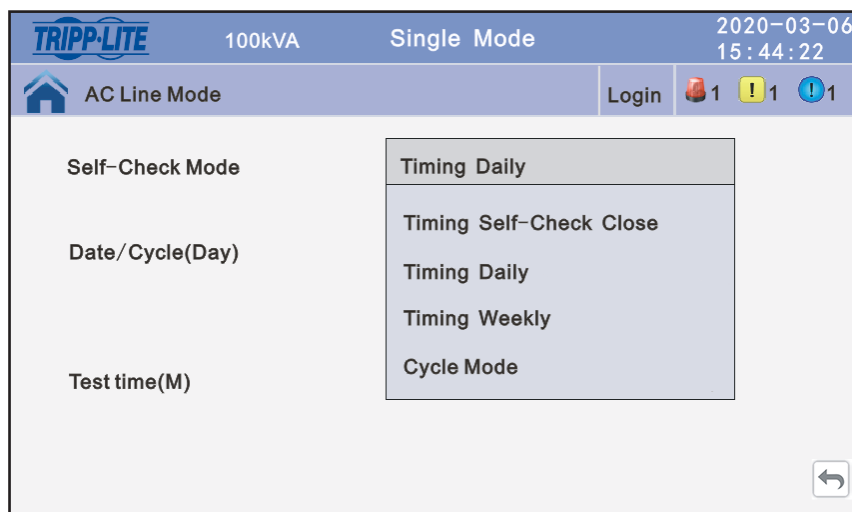
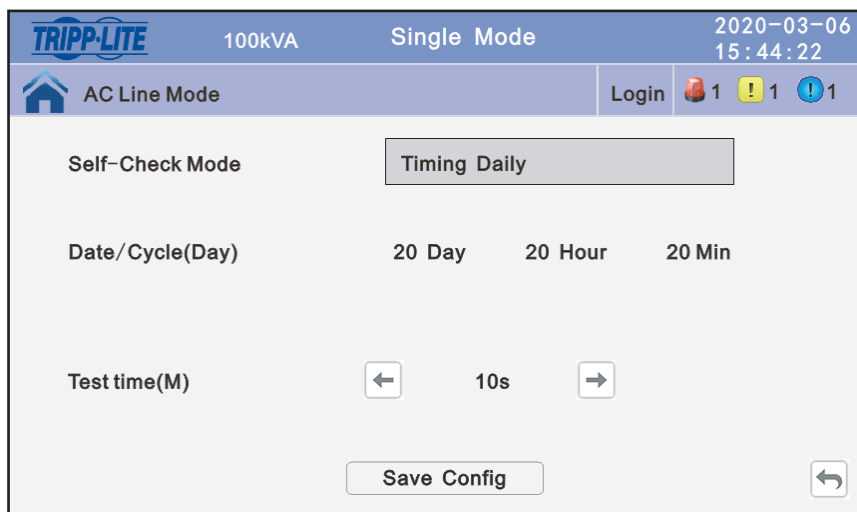


Figura 4-35A: Comprobación Automática de la Batería

4. Operación

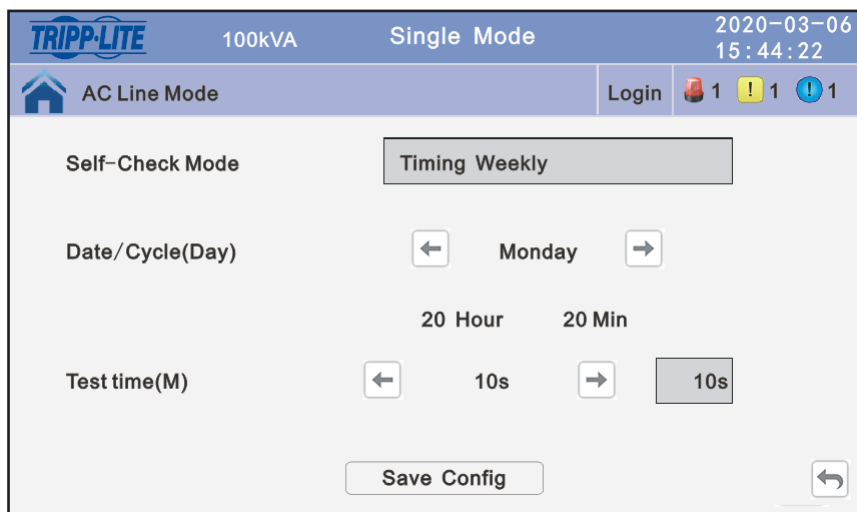
Temporizado Diario: Modifique la fecha de comprobación, el temporizado y la hora de comprobación. El rango de valor es de 10s (segundos), 10min (minutos) y final del día [EOD]. El valor predeterminado es 10s.



The screenshot shows the TRIPP-LITE 100kVA Single Mode interface. The top bar displays the date and time as 2020-03-06 15:44:22. The main menu includes 'AC Line Mode' and 'Login' with three status indicators (1 red, 1 yellow, 1 blue). The 'Self-Check Mode' is set to 'Timing Daily'. The 'Date/Cycle(Day)' is configured with '20 Day', '20 Hour', and '20 Min'. The 'Test time(M)' is set to '10s' with left and right arrow buttons. A 'Save Config' button and a refresh icon are at the bottom.

Figura 4-35B: Auto Comprobación de la Batería

Temporizado Semanal: Modifique la fecha de comprobación, el temporizado y la hora de comprobación. El rango de valor es de 10s (segundos), 10min (minutos) y el final de la descarga [EOD]. El valor predeterminado es 10s.



The screenshot shows the TRIPP-LITE 100kVA Single Mode interface. The top bar displays the date and time as 2020-03-06 15:44:22. The main menu includes 'AC Line Mode' and 'Login' with three status indicators (1 red, 1 yellow, 1 blue). The 'Self-Check Mode' is set to 'Timing Weekly'. The 'Date/Cycle(Day)' is configured with 'Monday' and '20 Hour' and '20 Min'. The 'Test time(M)' is set to '10s' with left and right arrow buttons. A 'Save Config' button and a refresh icon are at the bottom.

Figura 4-35C: Comprobación Automática de la Batería

4. Operación

4.3.8 Pantalla Común

Haga Click en el ícono **Común** para ingresar a la interfaz común, incluyendo INV ON/OFF [Encendido y Apagado del INV], prueba de la batería y borrado de fallas.

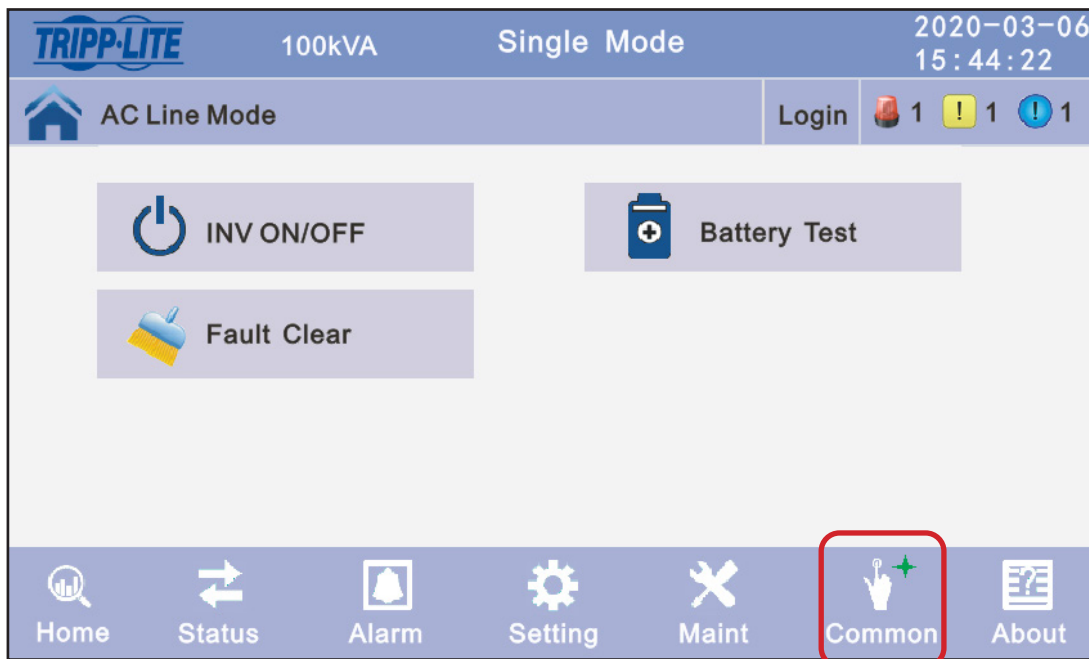


Figura 4-36: Pantalla Común

INV ON/OFF

Encendido Sencillo: Inversor encendido, ubicación UPS.

Apagado Sencillo: Inversor apagado, ubicación UPS.

En Paralelo Encendido: Inversor encendido, todos los sistemas UPS en paralelo.

En Paralelo Apagado: Inversor apagado, todos los sistemas UPS en paralelo.

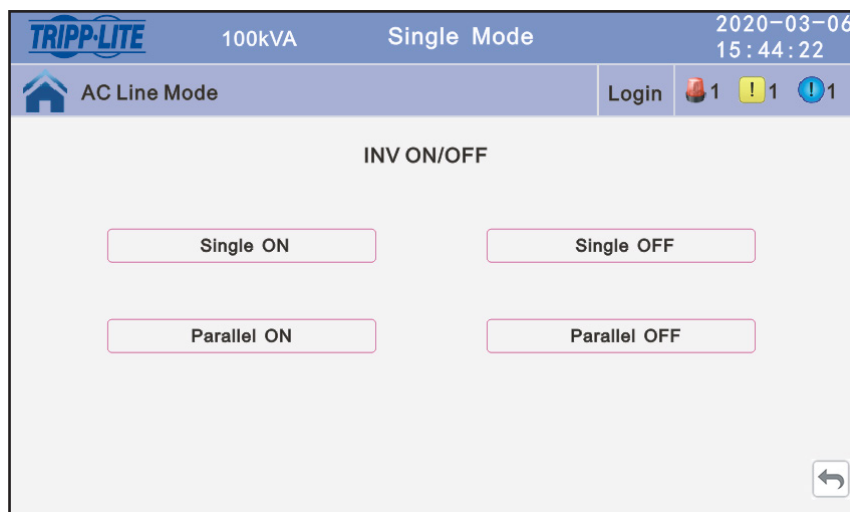


Figura 4-37: Encendido y Apagado del inversor

4. Operación

Prueba de la Batería

10S: Prueba de la batería por 10 segundos.

10 min: Prueba de la batería por 10 minutos.

EOD: Prueba de la batería al final de la descarga.

-10%: Prueba de la batería con un 10% de capacidad.

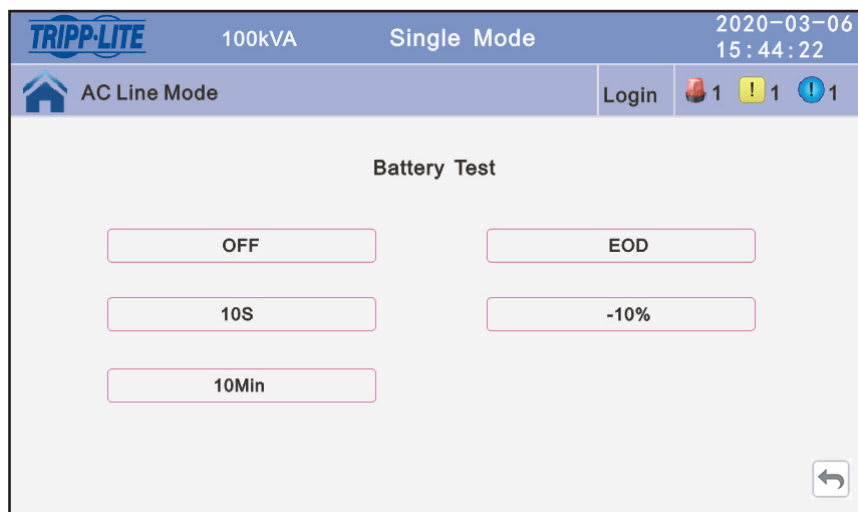


Figura 4-38: Prueba de la Batería

Borrado de Falla: Borra la falla actual (no aplicable a todas las fallas).

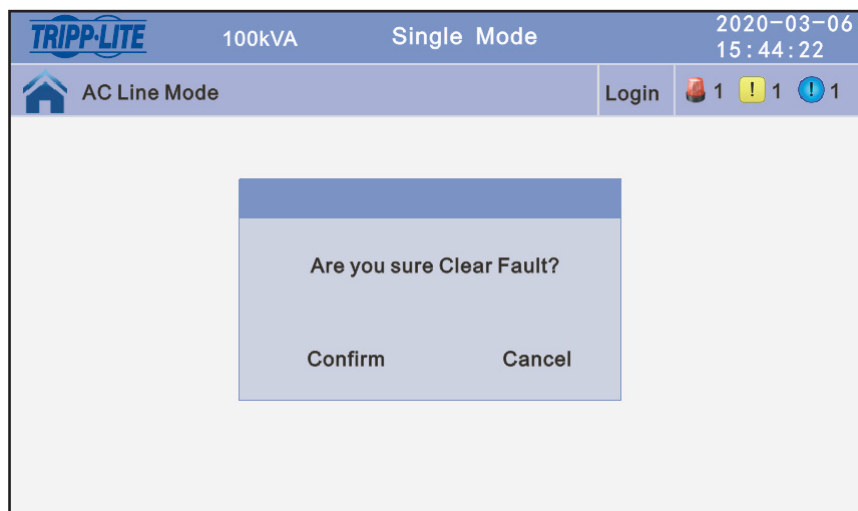


Figura 4-39: Borrado de Falla

4. Operación

4.3.9 Acerca de la Pantalla

Haga click en el ícono **Acerca de** para ingresar a la interfaz de "Acerca de" para mostrar las versiones actuales de monitor y software.

Nota: para acceder a los números de firmware del inversor y del rectificador, oprima el campo de **Información** en la pantalla.

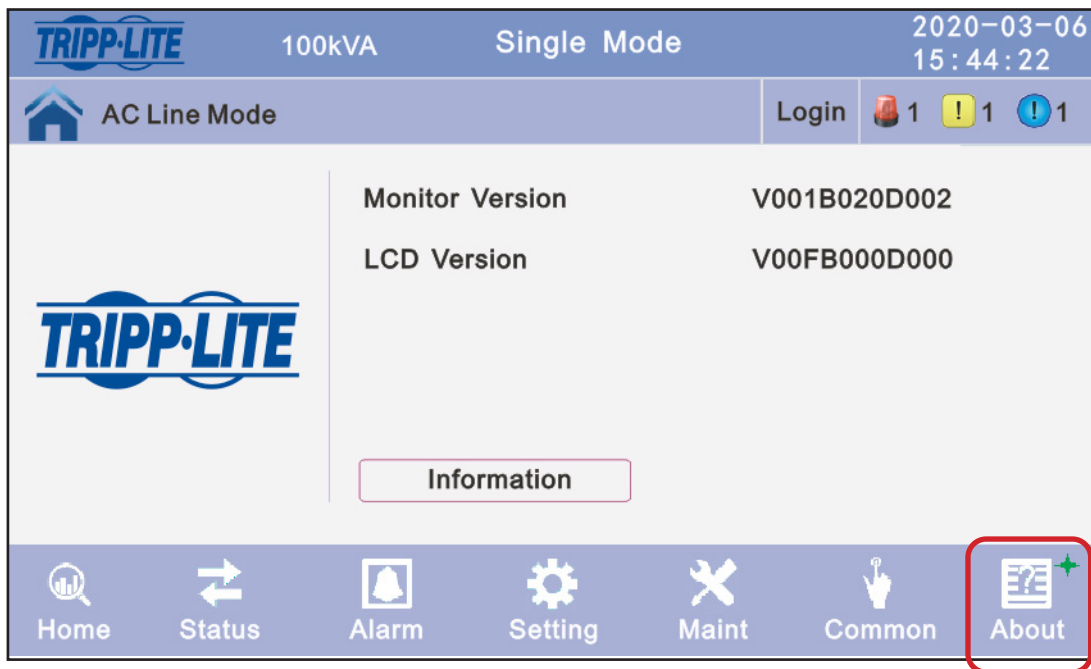


Figure 4-40: Pantalla de Acerca de

4. Operación

4.4 Mensajes de Pantalla y Alarmas

Esta sección enumera las alarmas acústicas y los LEDs que puede mostrar el UPS durante condiciones normales de operación o falla.

Modos del UPS	Alarmas Acústicas		LEDs de Pantalla			
	Estado de la Alarma	Silenciable Encendido y Apagado	Alarma	Batería	Derivación	Inversor
Inicialización del UPS	Bip, 1x	No	Destella/0.5s	Destella/0.5s	Destella/0.5s	Destella/0.5s
Modo en Línea del UPS (Normal)	Sin Bips	Sin Bips	Apagado	Apagado	Apagado	Encendido
Modo de Respaldo por Batería del UPS	Bip/2s	Sí	Apagado	Apagado	Encendido	Apagado
Modo de Prueba de la Batería del UPS	Sin Bips	Sin Bips	Apagado	Apagado	Encendido	Apagado
Modo ECO del UPS	Sin Bips	Sin Bips	Apagado	Encendido	Apagado	Apagado
Modo en Espera del UPS	Sin Bips	Sin Bips	Apagado	Apagado	Apagado	Apagado
Modo de Derivación Estática del UPS	Sin Bips	Sin Bips	Apagado	Encendido	Apagado	Apagado
Modo en Derivación para Mantenimiento del UPS	Sin Bips	Sin Bips	Apagado	Encendido	Apagado	Apagado
Modo de Convertidor de Frecuencia del UPS	Sin Bips	Sin Bips	Apagado	Apagado	Apagado	Encendido
Sobrecarga del UPS	Bip/1s	Sí	Apagado	Apagado	Apagado	Destella/2s
Advertencias del UPS	Bip/2s o Bip/1s	Sí	Destella/2s	Destella/2s	Apagado	Encendido
Fallas del UPS	Bip/2s o Bip/1s	Sí	Encendido	Encendido	Apagado	Apagado

		Alarmas Acústicas		LEDs de Pantalla			
		Estado de la Alarma	Silenciable Encendido y Apagado	Alarma	Derivación	Batería	Inversor
Advertencias del UPS	Batería Invertida	Bip/1s	Sí	Encendido	Apagado	Apagado	Apagado
	Sin Batería	Bip/1s	Sí	Apagado	Apagado	Destellos/1s	Apagado
	Falla del Cargador de la Batería P	Bip Continuo	Sí	Encendido	Apagado	Apagado	Encendido
	Falla del Cargador de la Batería N	Bip Continuo	Sí	Encendido	Apagado	Apagado	Encendido
	Bajo Voltaje de la Batería	Bip/1s	Sí	Apagado	Apagado	Destellos/1s	Apagado
	Pre-Advertencia de Batería Baja	Bip/1s	Sí	Apagado	Apagado	Destellos/1s	Apagado
	Frecuencia de la energía de la Red Pública. Anormal	Bip/2s	Sí	Apagado	Apagado	Encendido	Apagado
	Voltaje de la energía de la Red Pública. Anormal	Bip/2s	Sí	Apagado	Apagado	Encendido	Apagado
	Falla de Cableado del Sitio en Derivación	Bip/1s	Sí	Apagado	Encendido	Apagado	Apagado
	Derivación No Disponible	Sin Bips	Sin Bips	Apagado	Destellos/1s	Apagado	Apagado
	Sobrecarga en Paralelo	Bip/2s	Sí	Apagado	Apagado	Apagado	Destellos/1s
	Sobrecorriente de Derivación	Bip/1s	Sí	Apagado	Destellos/1s	Apagado	Apagado
	Protección contra Retroalimentación	Bip/1s	Sí	Apagado	Encendido	Encendido	Apagado

4. Operación

		Alarmas Acústicas		LEDs de Pantalla			
		Estado de la Alarma	Silenciable Encendido y Apagado	Alarma	Derivación	Batería	Inversor
Fallas del UPS	Falla del Rectificador	Bip Continuo	Sí	Encendido	Encendido	Apagado	Apagado
	Sobretemperatura del Rectificador	Bip/1s	Sí	Encendido	Encendido	Apagado	Apagado
	Sobretemperatura del Inversor	Bip/1s	Sí	Encendido	Encendido	Apagado	Apagado
	Sobrecorriente del Rectificador	Bip/1s	Sí	Encendido	Encendido	Apagado	Apagado
	Falla de Energía Auxiliar 1	Bip Continuo	Sí	Encendido	Encendido	Apagado	Apagado
	Falla de Energía Auxiliar 2	Bip Continuo	Sí	Encendido	Encendido	Apagado	Apagado
	Falla del Tiristor de Entrada	Bip Continuo	Sí	Encendido	Encendido	Apagado	Apagado
	Falla del Ventilador	Bip Continuo	Sí	Encendido	Encendido	Apagado	Apagado
	Falla de Energía del Ventilador	Bip Continuo	Sí	Encendido	Encendido	Apagado	Apagado
	Sobrevoltaje del Bus de CD	Bip Continuo	Sí	Encendido	Encendido	Apagado	Apagado
	Bajo Voltaje del Bus de CD	Bip Continuo	Sí	Encendido	Encendido	Apagado	Apagado
	Desequilibrio del Bus de CD	Bip Continuo	Sí	Encendido	Encendido	Apagado	Apagado
	Falla en el Cableado de la energía de la Red Pública	Bip/1s	Sí	Encendido	Encendido	Apagado	Apagado
	Falla del Arranque Suave	Bip Continuo	Sí	Encendido	Apagado	Apagado	Apagado
	Línea de Neutro de Entrada Faltante	Bip/1s	Sí	Encendido	Encendido	Apagado	Apagado
	Sobrevoltaje de la Batería	Bip/1s	Sí	Destellos/1s	Encendido	Apagado	Apagado
	Falla del Inversor	Bip Continuo	Sí	Encendido	Encendido	Apagado	Apagado
	Inv. Puente IGBT en Corto	Bip Continuo	Sí	Encendido	Encendido	Apagado	Apagado
	Corto del Tiristor del Inversor	Bip Continuo	Sí	Encendido	Encendido	Apagado	Apagado
	Tiristor de Inversor Defectuoso	Bip Continuo	Sí	Encendido	Encendido	Apagado	Apagado
	Corto del Tiristor de Derivación	Bip Continuo	Sí	Encendido	Encendido	Apagado	Apagado
	Tiristor de Derivación Dañado	Bip Continuo	Sí	Encendido	Apagado	Apagado	Apagado
	Comunicación de CAN Falla	Bip/1s	Sí	Encendido	Apagado	Apagado	Apagado
	Falla de Compartido de Carga en Paralelo	Bip/1s	Sí	Encendido	Encendido	Apagado	Apagado
	Sobrecorriente del IGBT	Bip Continuo	Sí	Encendido	Encendido	Apagado	Apagado
	Fusible Quemado	Bip Continuo	Sí	Encendido	Encendido	Apagado	Apagado

4. Operación

		Alarmas Acústicas		LEDs de Pantalla			
		Estado de la Alarma	Frecuencia de la Alarma	Alarma	Batería	Derivación	Inversor
Fallas del UPS	Error de Conexión del Cable	Bip/1s	Sí	Encendido	Encendido	Apagado	Apagado
	Falla del Relevador en Paralelo	Bip Continuo	Sí	Encendido	Encendido	Apagado	Apagado
	Falla de Inicialización	Bip Continuo	Sí	Encendido	Apagado	Apagado	Apagado
	Inversor Activado Inválido	Bip Continuo	Sí	Encendido	Encendido	Apagado	Apagado
	Corto en la Salida	Bip/1s	Sí	Destellos/1s	Apagado	Apagado	Apagado
	Corto de SCR de Derivación A	Bip Continuo	Sí	Encendido	Encendido	Apagado	Apagado
	Corto de SCR de Derivación B	Bip Continuo	Sí	Encendido	Encendido	Apagado	Apagado
	Corto de SCR de Derivación C	Bip Continuo	Sí	Encendido	Encendido	Apagado	Apagado
	Falla del Ventilador del Gabinete	Bip Continuo	Sí	Encendido	Encendido	Apagado	Apagado
	Comunicación Interna. Error	Bip/2s	Sí	Encendido	Apagado	Apagado	Apagado

4. Operación

4.4.1 Información de Falla

No	Código de Falla	Advertencia de la Alarma del UPS	Zumbador	LED
1	002	Sobretemp Rect	Suena un bip 2x/Segundo	LED de Falla Iluminado
2	003	Fallo cable par. REC	Suena un bip 2x/Segundo	LED de Falla Iluminado
3	004	Sobrecorriente Rect	Suena Continuamente	LED de Falla Iluminado
4	005	Fallo alimentac Rect	Suena Continuamente	LED de Falla Iluminado
5	007	Fallo SCR entrada	Suena Continuamente	LED de Falla Iluminado
6	00A	Fallo SCR de batería	Suena Continuamente	LED de Falla Iluminado
7	00C	Fallo SCR de carga	Suena Continuamente	LED de Falla Iluminado
8	00E	Fallo ventilador	Suena Continuamente	LED de Falla Iluminado
9	011	Fallo aliment ventil	Suena Continuamente	LED de Falla Iluminado
10	012	Temp Alta Cargador	Suena Continuamente	LED de Falla Iluminado
11	013	Fallo arranque suave	Suena Continuamente	LED de Falla Iluminado
12	014	Fallo cargador bat	Suena Continuamente	LED de Falla Iluminado
13	016	Fallo comunic Rect	Una vez por 2 segundos	LED de Falla Destellando
14	019	Fallo inicio Rect	Suena Continuamente	LED de Falla Iluminado
15	01D	Fallo unidad insert	Bip 1x/2 Segundos	LED de Falla Iluminado
16	063		Bip 1x/2 Segundos	LED de Falla Iluminado
17	01E	Fallo Rect	Suena Continuamente	LED de Falla Iluminado
18	041	Fallo Inv	Suena Continuamente	LED de Falla Iluminado
19	044	Corto IGBT INV	Suena Continuamente	LED de Falla Iluminado
20	047	Cortocirc rele INV	Suena Continuamente	LED de Falla Iluminado
21	04A	Fallo rele INV	Suena Continuamente	LED de Falla Iluminado
22	04D	Fallo cable par. INV	Suena un bip 2x/Segundo	LED de Falla Iluminado
23	051	Cortocirc a la salida	Una vez por segundo	LED de Falla Destellando
24	054	Fallo comunic INV	Bip 1x/2 Segundos	LED de Falla Destellando
25	057	Fallo inicio INV	Suena Continuamente	LED de Falla Iluminado
26	05A	Fallo autotest INV	Suena Continuamente	LED de Falla Iluminado
27	05E	Fallo componente DC	Bip 1x/2 Segundos	LED de Falla Iluminado
28	061	Bus DC anormal	Suena Continuamente	LED de Falla Iluminado
29	064	Fallo aliment INV DSP	Suena Continuamente	LED de Falla Iluminado
30	067	Sobretemp. INV	Suena un bip 2x/Segundo	LED de Falla Iluminado
31	068	Fallo compart. carga	Dos veces por segundo	LED de Falla Iluminado
32	06A	Fallo modo armario	Suena Continuamente	LED de Falla Iluminado
33	06B	Fusible roto	Suena Continuamente	LED de Falla Iluminado
34	081	Fallo cable par. INV	Suena un bip 2x/Segundo	LED de Falla Iluminado
35	086	Fallo acceso al ECU	Bip 1x/2 Segundos	LED de Falla Iluminado
36	088	Fallo aliment ECU	Suena Continuamente	LED de Falla Iluminado
37	08B	Fallo comunic ECU	Suena Continuamente	LED de Falla Iluminado
38	08D	Fallo inicio ECU	Bip 1x/2 Segundos	LED de Falla Destellando
39	091	Fallo SCR bypass	Suena Continuamente	LED de Falla Iluminado
40	0C2		Suena Continuamente	LED de Falla Iluminado
41	094	Cortocir SCR bypass	Suena Continuamente	LED de Falla Iluminado
42	0C5		Suena Continuamente	LED de Falla Iluminado
43	097	Sobretemp. bypass	Suena Continuamente	LED de Falla Iluminado
44	0CF		Suena Continuamente	LED de Falla Iluminado
45	09A	Salida CT invertida	Suena Continuamente	LED de Falla Iluminado
46	09D	Falla de Retroalimentación de Bypass	Suena Continuamente	LED de Falla Iluminado

4. Operación

4.4.2 Información de la Alarma

No	Código de Falla	Advertencia de la Alarma del UPS	Zumbador	LED
1	103	Sobrevoltaje batería	1x/ Segundo	LED de la batería destellando
2	104	Pre-aviso bat baja	1x/ Segundo	LED de la batería destellando
3	105	Batería invertida	Dos veces por segundo	LED de la batería destellando
4	106	EOD Batería	1x/ Segundo	LED de la batería destellando
5	107	Voltaje batería bajo	1x/ Segundo	LED de la batería destellando
6	108	Sin batería	1x/ Segundo	LED de la batería destellando
7	109	Fase entrada invertida	1x/ Segundo	LED del Inversor destellando
8	10A	LineaN entrada perdida	Dos veces por segundo	LED del Inversor destellando
9	10B	Frec de red anormal	1x/2 Segundos	LED del Inversor destellando
10	10C	Volt de red anormal	1x/2 Segundos	LED del Inversor destellando
11	10D	Error comunic Rect	1x/2 Segundos	LED del Inversor destellando
12	10E	Sin red	1x/2 Segundos	
13	10F	Error Ajust	1x/2 Segundos	LED de Falla destellando
14	121	Cable par INV anormal	1x/2 Segundos	LED de Falla destellando
15	125	Sobrecarga INV	1x/2 Segundos	LED del Inversor destellando
16	126	INV no sincronizado	Suena Continuamente	LED del Inversor destellando
17	12	Error Ajust INV.	1x/2 Segundos	LED de Falla destellando
18	129	Error comunic INV	1x/2 Segundos	LED de Falla destellando
19	141	Bypass cambio a num	1x/2 Segundos	LED de Derivación destellando
20	142	Qt. unids no coincid	1x/2 Segundos	LED de Falla destellando
21	143	Sobrecarga paralelo	1x/2 Segundos	LED del Inversor destellando
22	144	Sobrecarga Bypass	1x/2 Segundos	LED de Derivación destellando
23	145	Mal uso Switch mant	1x/2 Segundos	LED de Falla destellando
24	146	Error comunic ECU	1x/2 Segundos	LED de Falla destellando
25	147	Cable par anormal	1x/2 Segundos	LED de Falla destellando
26	14B	Cable par ECU anormal	1x/2 Segundos	LED de Falla destellando
27	14C	ECU anormal	1x/2 Segundos	LED de Falla destellando
28	14E	Fase Bypass invertida	1x/ Segundo	LED de Derivación destellando
29	162		1x/ Segundo	LED de Derivación destellando
30	14F	Bypass no rastrea	1x/2 Segundos	LED de Derivación destellando
31	163		1x/2 Segundos	LED de Derivación destellando
32	150	Bypass no disponible	1x/ Segundo	LED de Derivación destellando
33	164		1x/ Segundo	LED de Derivación destellando
34	151	Error Ajust ECU.	1x/2 Segundos	LED de Falla destellando

5. Solución de Problemas

Si el sistema UPS no está funcionando normalmente, compruebe si hay errores en la instalación, cableado u operación. Si todos estos aspectos se confirman sin problemas, póngase en contacto con soporte técnico en triplite.com/support con la siguiente información:

1. Nombre del modelo y número de serie del producto.
2. Descripción del problema con detalles, como información de pantalla LCD, estados de LED, etc.

Lea cuidadosamente este manual del propietario. La siguiente tabla puede ayudarle a resolver el problema con facilidad.

Nº	Problema	Posible razón	Solución
1	La energía de la red pública está conectada pero el UPS no puede encenderse.	<ul style="list-style-type: none"> • La fuente de alimentación no está conectada • Voltaje de entrada bajo • El switch de entrada del UPS no está encendido 	<ul style="list-style-type: none"> • Mida si el voltaje y la frecuencia de entrada del UPS están dentro de la ventana • Asegúrese de que la entrada del UPS esté encendida
2	La energía de la red pública es normal pero no enciende el LED de Red Pública y el UPS opera en modo de respaldo por batería	<ul style="list-style-type: none"> • Los breakers de entrada del UPS no están encendidos • El cable de alimentación no está bien conectado 	<ul style="list-style-type: none"> • Encienda el breaker de entrada • Asegúrese de que el cable de alimentación esté conectado firmemente
3	El UPS no indica una falla, pero no hay voltaje de salida	<ul style="list-style-type: none"> • El cable de salida no está bien conectado • Breaker de salida no encendido 	<ul style="list-style-type: none"> • Asegúrese de que el cable de salida esté bien conectado • Encienda el breaker de salida
4	El LED de la energía de la red pública está destellando	El voltaje de la energía de la red pública excede el rango de entrada del UPS	Si el UPS opera en modo de respaldo por batería, preste atención al tiempo de respaldo restante necesario para su sistema
5	El LED de la batería está destellando pero no hay voltaje de carga y corriente	<ul style="list-style-type: none"> • El breaker de la batería no está encendido • Las baterías están dañadas • La batería está conectada al revés • El número y capacidad de la batería no están configurados correctamente 	<ul style="list-style-type: none"> • Encienda el breaker de la batería • Si las baterías están dañadas, reemplace todo el grupo de baterías • Conecte correctamente los cables de la batería • Vaya a la configuración del LCD para el número y capacidad de la batería y configure los datos correctos
6	El zumbador suena cada 0.5 segundos y el LCD muestra "Sobrecarga de Salida"	Sobrecarga	Retire algo de la carga
7	El UPS sólo trabaja en modo en derivación	El UPS está configurado en modo ECO o los tiempos de transferencia a modo en derivación están limitados	Configure el modo de trabajo del UPS en tipo de UPS (no en paralelo) o restablezca los tiempos de transferencia a derivación o reinicie el UPS
8	No se puede encender	<ul style="list-style-type: none"> • El switch de la batería no está correctamente cerrado • El fusible de la batería no está abierto • La batería está baja • La cantidad de baterías está configurada incorrectamente • El breaker en el panel posterior no está en la posición de encendido [ON] 	<ul style="list-style-type: none"> • Cierre el switch de la batería • Cambie el fusible • Recargue la batería • Encienda el UPS con CA para establecer la cantidad correcta de baterías • Encienda el breaker de encendido

6. Comunicaciones

6.1 Tarjeta para Administración Web

La tarjeta **WEBCARDLX** de Tripp Lite es un accesorio opcional disponible para todos los modelos. La tarjeta WEBCARDLX permite monitoreo y control remotos a través de varias interfaces: HTML5 web mediante HTTP(S), menú / CLI mediante SSH / Telnet y SNMP para integración con plataformas de administración de software, como DCIM. Con la tarjeta WEBCARDLX en su UPS, combinada con PDU controlables habilitados para red de Tripp Lite, puede administrar la energía en toda su instalación y recibir alertas automatizadas para identificar los problemas antes de que causen tiempo muerto.

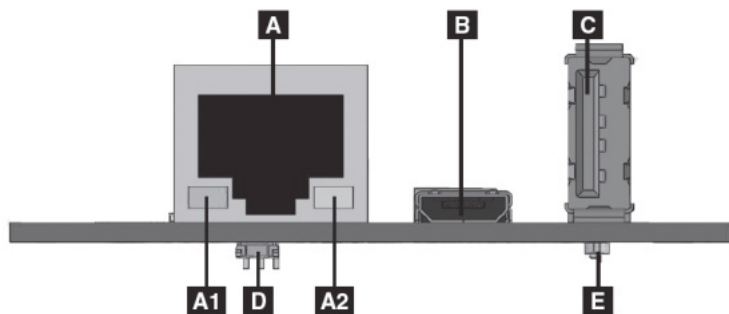
La tarjeta **WEBCARDLX** soporta además una familia de sensores para monitorear en forma remota las condiciones ambientales. Cada tarjeta proporciona opciones para monitoreo de hasta tres ubicaciones individuales. Tripp Lite ofrece el software gratuito del Sistema de Administración de Redes PowerAlert®. Más información y descarga en tripplite.com/products/power-alert.



6.1.1 Características de la Tarjeta WEBCARDLX

La siguiente es una introducción a las características de la tarjeta WEBCARDLX de Tripp Lite. Para ver la descripción completa de la funcionalidad de la tarjeta, descargue su Manual del Propietario en tripplite.com/support.

- A** Puerto Ethernet: El conector RJ45 conecta la tarjeta WEBCARDLX a la red usando un cable patch estándar de Ethernet. El LED de Enlace **A1** y el LED de Estado **A2** indican condiciones de operación.
- B** Puerto Micro-USB: use este puerto para conectar directamente con una computadora que ejecute un programa de emulación de terminal.
- C** Puerto USB Type A: Use este puerto para conectar un módulo ENVIROSENSE 2 de Tripp Lite (E2MT, E2MTDO, E2MTDI, E2MTHDI) para una variedad de opciones de monitoreo y control ambiental. Para más información acerca de estos módulos, consulte tripplite.com.
Nota: no conecte un teclado o mouse a este puerto.
- D** Botón de restauración: el botón de restauración está empotrado, accesible a través de un pequeño orificio debajo el puerto de red RJ45.
- E** LED de Estado: Muestra el estado de la tarjeta WEBCARDLX.



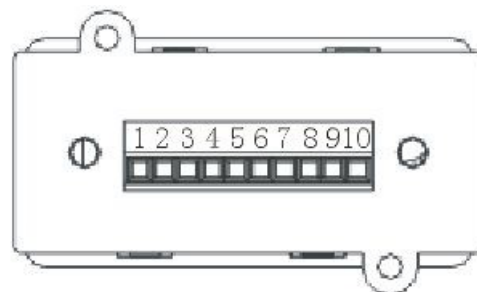
6.2 Tarjeta de Relevador

Una terminal de 10 pines soporta una tarjeta de relevador para proporcionar funciones de derivación, falla de la energía de la red pública, encendido del inversor, batería baja, falla del UPS, alarma del UPS y apagado del UPS.

La tarjeta de comunicación por relevador contiene seis salidas de contacto seco y una entrada seca. Las entradas y salidas están programadas de fábrica de acuerdo con las funciones enumeradas en la siguiente tabla.

Contactos de Relevador (Tarjeta de Comunicación)

Pin	Descripción de la Función	Entrada o Salida
1	Falla de la Energía de la Red Pública	Salida
2	Batería Baja	
3		
4	Derivación Activada	
5	Falla del UPS	
6	Inversor Encendido	
7	Alarma de Resumen	
8	Común	Entrada (5V a 12V)
9	Apagado Remoto +	



6. Comunicaciones

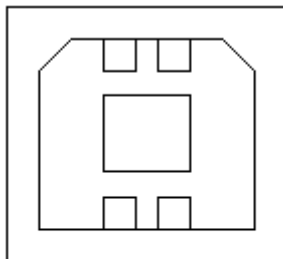
6.3 Definición de Puerto de Comunicación USB



Notas:

- Las interfaces USB, RS-232 y RS-485 no pueden usarse simultáneamente. Solo puede usarse una interfaz a la vez.
- Estos tres puertos de comunicación usan un protocolo MODBUS. Consulte el Manual del Propietario del MODBUS Trifásico S3M10-20kVA.

El puerto de comunicación USB es un conector USB Type-B hembra.



Conexiones entre el puerto USB de la computadora conectada y el puerto USB del sistema UPS

Puerto USB de la Computadora	Puerto USB del UPS	Descripción
Pin 1	Pin 1	Computadora: +5V
Pin 2	Pin 2	Computadora: Señal DPLUS
Pin 3	Pin 3	Computadora: Señal DMINUS
Pin 4	Pin 4	Conexión a tierra de la señal

Funciones Disponibles del Puerto USB

- Monitoree el estado de energía del UPS
- Monitoree la información de alarma del UPS
- Monitoree los parámetros de operación del UPS
- Configuración de activado y desactivado de temporizado
- Comunicación uno a uno, UPS a computadora, a una distancia inferior a 1.5 m

Formato de Datos de Comunicación de USB

- Tasa de baudios: 9600 bps
- Longitud del Byte: 8 bits
- Bit de extremo: 1 bit
- Comprobación de paridad: Ninguno

6. Comunicaciones

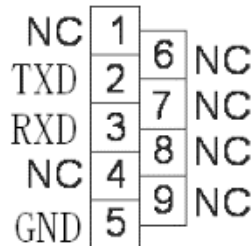
6.4 Definición del Puerto de Comunicación RS-232



Notas:

- Las interfaces USB, RS-232 y RS-485 no pueden usarse simultáneamente. Solo puede usarse una interfaz a la vez.
- Estos tres puertos de comunicación usan un protocolo MODBUS. Consulte el Manual del Propietario del MODBUS Trifásico S3M10-20kVA.

El puerto RS-232 es un conector macho.



Conexión Entre el Puerto RS-232 de la Computadora Conectada y el Puerto RS-232 del Sistema UPS

Puerto RS-232 de la Computadora	Puerto RS-232 del UPS	
Pin 2	Pin 2	UPS envía, PC recibe
Pin 3	Pin 3	UPS envía, PC recibe
Pin 5	Pin 5	Tierra

Funciones Disponibles en el Puerto RS-232

- Monitoree el estado de energía del UPS
- Monitoree los datos de la alarma del UPS
- Monitoree los parámetros de operación del UPS
- Configuración de activado y desactivado de temporizado
- Comunicación uno a uno, UPS a computadora, a una distancia inferior a 5 m

Formato de datos de comunicación RS-232

- Tasa de baudios: 9600 bps
- Longitud del Byte: 8 bits
- Bit de extremo: 1 bit
- Comprobación de paridad: Ninguno

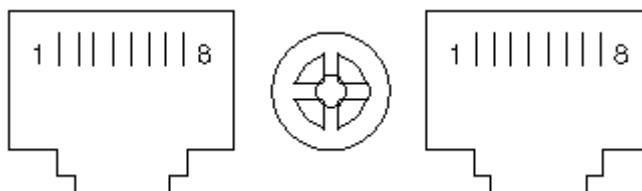
6.5 Definición de Puerto de Comunicación RS-485



Notas:

- Las interfaces USB, RS-232 y RS-485 no pueden usarse simultáneamente. Solo puede usarse una interfaz a la vez.
- Estos tres puertos de comunicación usan un protocolo MODBUS. Consulte el Manual del Propietario del MODBUS Trifásico S3M10-20kVA.
- Este puerto puede usarse también con un termostato de batería externa. Refiérase a la sección **6.6 Definición de Puerto de Comunicación BAT_T**.

El puerto RS-485 es un conector hembra.



6. Comunicaciones

Conexión Entre el Puerto RS-485 del Dispositivo Conectado y el Puerto RS-485 del Sistema UPS

Dispositivo (RJ-45)	UPS (RJ-45)	Descripción
Pin 1/5	Pin 1/5	485+ "A"
Pin 2/4	Pin 2/4	485 - "B"
Pin 7	Pin 7	+12V DC
Pin 8	Pin 8	Tierra

Funciones Disponibles del Puerto RS-485

- Monitoree el estado de energía del UPS
- Monitoree la información de alarma del UPS
- Monitoree los parámetros de operación del UPS
- Configuración de activado y desactivado de temporizado
- Monitoreo de temperatura del entorno de la batería
- Modulación de voltaje de carga dependiendo de la temperatura de las baterías

Formato de Datos de Comunicación de RS-485

- Tasa de baudios: 9600 bps
- Longitud del Byte: 8 bits
- Bit de extremo: 1 bit
- Comprobación de paridad: Ninguno

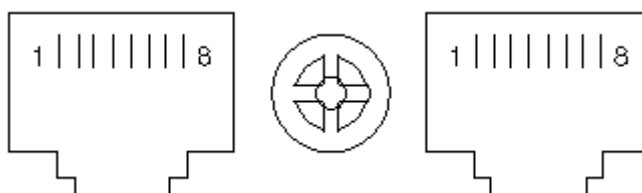
6.6 Definición de Puerto de Comunicación BAT_T



Notas:

- Las interfaces USB, RS-232 y RS-485 no pueden usarse simultáneamente. Solo puede usarse una interfaz a la vez.
- Este puerto puede usarse también para comunicaciones MODBUS. Refiérase a la sección **6.5 Definición de Puerto de Comunicación RS-485**.

El puerto BAT_T es un conector hembra. El termostato del gabinete de baterías externas usado para compensación de carga de temperatura puede conectarse a este puerto.



Conexión entre el Puerto RJ45 del Sensor de Temperatura y el Puerto RJ45 del UPS

Sensor de Temperatura (RJ45)	UPS BAT_T (RJ45)	Descripción
Pin 1/5	Pin 1/5	TX
Pin 2/4	Pin 2/4	RX
Pin 7	Pin 7	12V
Pin 8	Pin 8	Tierra

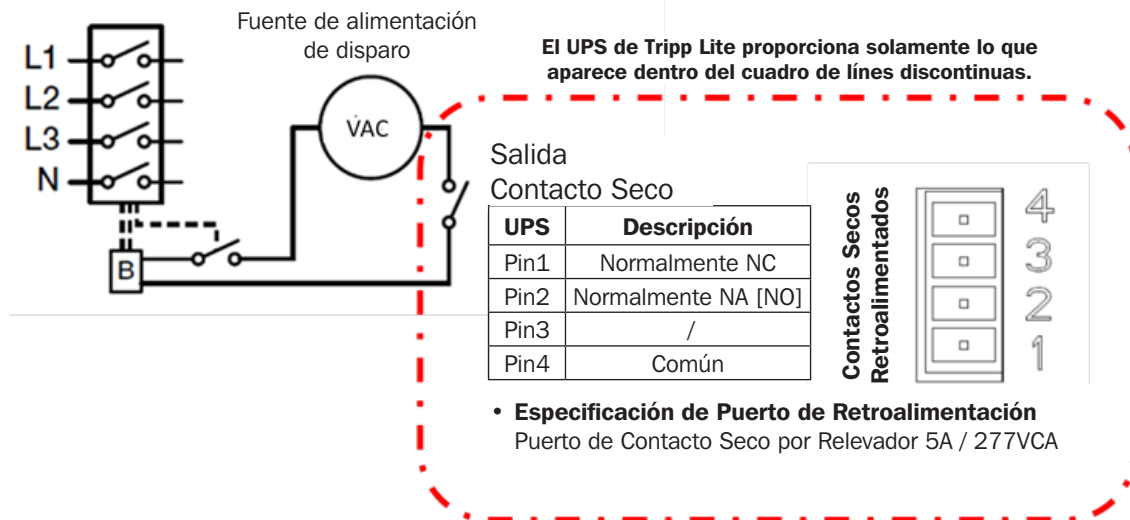
Funciones Disponibles del Puerto BAT_T

- Monitoreo de temperatura del entorno de la batería
- Modulación de voltaje de carga dependiendo de la temperatura de las baterías

6. Comunicaciones

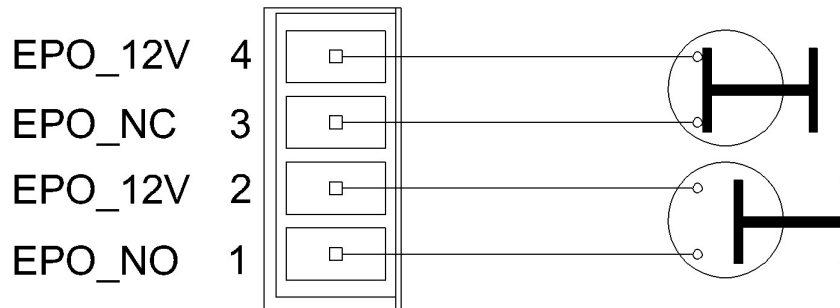
6.7 Retroalimentación: Puerto de Contactos Secos por Relevador

El puerto de retroalimentación es un conector macho.



6.8 Conexión de REPO

Diagrama de conexión: REPO Normalmente Cerrado (NC)



Conexiones entre el botón y el puerto REPO del UPS.

Botón	UPS REPO	Descripción
Pin 1	Pin 1	EPO-NO [EPO Normalmente Abierto]
Pin 2	Pin 2	EPO-12V
Pin 1	Pin 3	EPO-NC [EPO Normalmente Cerrado]
Pin 2	Pin 4	EPO-12V

- Un switch de parada de emergencia remota puede instalarse en una ubicación remota y conectarse mediante cables simples al conector de REPO.

7. Almacenamiento y Mantenimiento

7.1 Almacenamiento

El UPS debe almacenarse en un ambiente limpio y seguro con una temperatura inferior a 40 °C [104 °F] y una humedad relativa menor al 90% (sin condensación). De ser posible, almacene el UPS en su contenedor de embarque original. Si la instalación se realiza a más de 6 meses de haber recibido el sistema UPS, recargue las baterías por al menos 24 horas antes de usarlo. No confíe en el UPS para proporcionar energía de respaldo hasta que las baterías estén completamente cargadas.

Nota: Si el sistema UPS permanece apagado por un período prolongado, deberá encenderse periódicamente para permitir recargar las baterías. Debe encenderse el UPS y recargarse las baterías por un período de al menos 24 horas ininterrumpidas cada 3 meses. El no cargar las baterías periódicamente puede causar un daño irreversible a la batería.

7.2 Mantenimiento

Tripp Lite recomienda realizar mantenimiento preventivo anual en este producto para garantizar su confiabilidad y durabilidad. Se requieren técnicos certificados para llevar a cabo el arranque, mantenimiento preventivo y reparaciones para validar todas las garantías. Para más información, póngase en contacto con su representante o distribuidor local o escriba a sales@tripplite.com.

Mantenimiento General del UPS y la Batería

El área alrededor del UPS debe mantenerse limpia y libre de polvo.

Para una vida completa de la batería, mantenga el UPS a una temperatura ambiente de 25 °C [77 °F].

Nota: La vida útil varía, dependiendo de la frecuencia de uso y temperatura ambiente. Las baterías usadas más allá de la vida útil esperada a menudo tendrán autonomías severamente reducidas. Reemplace las baterías al menos cada 5 años para mantener la unidad funcionando a su máxima eficiencia.

- El sistema UPS opera con voltaje peligroso. Las reparaciones deben ser realizadas solamente por técnicos certificados de Tripp Lite.
- Incluso después de que la unidad sea desconectada de la energía de la red pública, los componentes potencialmente peligrosos dentro del UPS permanecen conectados a los módulos de baterías.
- Antes de llevar a cabo cualquier tipo de servicio y/o mantenimiento, desconecte las baterías y verifique que no haya corriente y no exista voltaje peligroso en las terminales de los condensadores de alta capacidad, como los condensadores del BUS.
- Solo técnicos calificados que tomen las medidas precautorias requeridas pueden reemplazar las baterías y supervisar las operaciones. Personas no autorizadas no deben realizar mantenimiento de las baterías.
- Verifique que no haya voltaje entre las terminales de la batería y la conexión a tierra esté presente antes de un mantenimiento o reparación. El circuito de la batería no esté aislado del voltaje de entrada. Pueden originarse voltajes peligrosos entre las terminales de la batería y la tierra.
- Las baterías pueden causar una descarga eléctrica y tienen una alta corriente de cortocircuito. Retire todos los relojes de pulsera, anillos y otros objetos metálicos personales antes del mantenimiento o reparación y use solamente herramientas con puños y manijas aislados para mantenimiento o reparación.
- Al reemplazar las baterías, instale el mismo número y el mismo tipo y capacidad de baterías.
- No intente desechar las baterías al fuego. Puede originarse una explosión de la batería. Las baterías deben ser desechadas apropiadamente de acuerdo con los reglamentos locales.
- No abra ni destruya las baterías. Los electrolitos que escapan pueden ser tóxicos y pueden causar lesiones a la piel y ojos.
- Para evitar riesgos de incendio, reemplace el fusible solo con el mismo tipo y amperaje.
- No desarme el sistema UPS.

7. Almacenamiento y Mantenimiento

7.3 Batería

Los sistemas UPS de la Serie S3M de Tripp Lite usan baterías de plomo selladas. La vida de la batería depende de la temperatura de operación, el uso y la frecuencia de carga y descarga. Ambientes de alta temperatura y alta frecuencia de carga y descarga acortarán rápidamente la vida de la batería. Observe las sugerencias siguientes para asegurar una vida normal de la batería.

1. Mantenga la temperatura de operación entre 0 °C y 40 °C [32 °F y 104 °F].
2. Para rendimiento y vida óptimos de la batería, opere a 25 °C [77 °F] regulados.
3. Cuando el UPS necesite ser guardado por un período prolongado, las baterías deben recargarse cada tres meses por no menos de 24 horas cada vez.

7.4 Ventilador

Las temperaturas altas acortan la vida del ventilador. Cuando el UPS esté funcionando, asegúrese de que todos los ventiladores trabajen normalmente y asegúrese de que el aire pueda moverse libremente alrededor y a través del UPS. Si no es así, reemplace los ventiladores.

Nota: Para más información de mantenimiento, póngase en contacto con el Soporte Técnico de Tripp Lite. No realice el mantenimiento si no está calificado para ello.

8. Especificaciones

Modelo	S3M25K	S3M30K	S3M50K	S3M60K	S3M80K	S3M100K
VISTA GENERAL						
Capacidad	25 kVA / 25 kW	30 kVA / 30 kW	50 kVA / 50 kW	60 kVA / 60 kW	80 kVA / 80 kW	100 kVA / 100 kW
Topología	Doble Conversión 100% en Línea; Voltaje y Frecuencia Independiente (VFI)					
ENTRADA						
Voltaje y Fase	208V / 220V (Voltaje de Línea); 120V / 127V (Fase a Neutro); Trifásica, Neutro y Tierra					
Rango de Voltaje	-20%, +25% (166V ~ 260V o 176V ~ 275V de Voltaje de Línea) al 100% de Carga; -40%, +25% (125V ~ 260V o 132V ~ 275V de Voltaje de Línea) al <50% de Carga					
Frecuencia (Rango)	50Hz / 60Hz, seleccionable (40Hz ~ 70Hz)					
Factor de Potencia	≥ 0.99 (100% de Carga Lineal); ≥ 0.98 (50% de Carga Lineal)					
Distorsión Armónica	< 3% THDi (100% de carga)					
Dos Entradas de CA	Sí					
Protección de Retroalimentación	Sí					
SALIDA						
Voltaje y Fase	208V / 220V (Voltaje de Línea); 120V / 127V (Fase a Neutro); Trifásica, Neutro y Tierra					
Regulación de Voltaje de CA	±1% del Nominal (Modo de Doble Conversión, Modo de Convertidor o Modo de Respaldo por Batería); ±10% del Nominal (Modo ECO)					
Factor de Potencia	1.0 (Factor de Potencia de Salida de Uno)					
Frecuencia	Seleccionable ±1%, ±2%, ±4%, ±5%, ±10% de Entrada (Predeterminado: ±5%)					
Regulación de Frecuencia	±0.1 Hz (Modo de Convertidor o Modo de Respaldo por Batería)					
Sobrecarga (Modo de CA)	Carga ≤ 110%=1 hora; Carga ≤ 125%=10 min; Carga ≤ 150%=1 min; Carga > 150%=Derivación					
Factor de Cresta	3:1 Máximo					
Distorsión Armónica	≤ 2% THD (100% de Carga Lineal); ≤ 5% THD (100% de Carga No Lineal)					
Forma de Onda	Onda Sinusoidal Pura					
Tiempo de Transferencia	0 ms (Línea ↔ Batería e Inversor ↔ Derivación); <8 ms (Batería ↔ ECO)					
Capacidad en Paralelo	Conexión en Paralelo de hasta 5N+1 Unidades para Capacidad Aumentada o hasta 6 para Redundancia					
DERIVACIÓN						
Rango de Voltaje de la Derivación	Límite Superior: +10%, +15%, +20% o +25% (Predeterminado: +20%); Límite Inferior: -10%, -20%, -30% o -40% (Predeterminado: -40%)					
Rango de Frecuencia de la Derivación	±10% (Ajustable)					
EFICIENCIA						
Modo En Línea	hasta 94%					
Modo ECO	hasta 98%					
BATERÍA Y CARGADOR						
Voltaje de CD de Aceptación	±120V CD (Nominal)					
Configuración de la Batería	Sólo Externas*	Sólo Externas*	Sólo Externas*	Sólo Externas*	Sólo Externas*	Sólo Externas*
Cantidad de Baterías Internas	Ninguno	Ninguno	Ninguno	Ninguno	Ninguno	Ninguno
Tiempo de autonomía (100% de carga)	La autonomía del UPS depende de las cargas conectadas y del modelo de módulo o gabinete de baterías. Consulte la página de modelo en tripplite.com para ver las autonomías.					
Tiempo de autonomía (50% de carga)						
Modelos de Módulo de Baterías Externas (Gabinete)	*Refiérase a la sección 3.9 Compatibilidad del UPS al Modelo del Gabinete					
Corriente de Carga (Predeterminada)	1A ~ 20A (0.15C)	2A ~ 20A (0.15C)	4A ~ 40A (0.15C)	4A ~ 40A (0.15C)	6A ~ 60A (0.15C)	8A ~ 80A (0.15C)
AMBIENTE						
Temperatura de Operación	0 °C ~ 40 °C					
Temperatura de Almacenamiento	-15 °C ~ 60 °C					
Humedad de Operación	0% ~ 95% (Sin Condensación)					
Altitud de Operación	< 1000 m (Reducción de la potencia de salida en 1% por cada 100 m por encima de 1000 m)					
Ruido Audible a 1 m	< 65.4 dBA	< 67.8 dBA	< 72 dBA	< 72 dBA	< 74 dBA	< 75.6 dBA
Disipación de Calor (100% de Carga)	6339 BTU / h	7679 BTU / h	12628 BTU / h	15154 BTU / h	19932 BTU / h	24915 BTU / h
ADMINISTRACIÓN						
Panel de Pantalla	Gran Pantalla Táctil Multilingüe de 127 mm [5"] con LEDs Complementarios					
Comunicaciones	Tarjeta opcional para administración de red SNMP (WEBCARDLX) y tres puertos MODBUS integrados: RS-232, RS-485 (RJ45), USB. La tarjeta de E y S por Relevador es opcional.					
ESTÁNDARES						
Seguridad	UL1778:2014 (5ª Edición); CAN/CSA-C22.2 N° 107.3-14 (3ª edición)					
EMC / EMI	FCC Parte 15B Clase A					
Adicional	ENERGY STAR 2.0, RETIE, Clasificación de Protección de Ingreso IP20; RoHS, probado para ISTA 3B/Vibración, Impacto y Volcadura					
FÍSICO						
Dimensiones de la Unidad (Al x An x Pr)	[39.4" x 11.8" x 31.5"] 1000 x 300 x 800 mm		[47.2" x 17.4" x 33.46"] 1200 x 442 x 850 mm		[62.99" x 23.62" x 33.46"] 1600 x 600 x 850 mm	
Peso de la Unidad	95 kg [209 lb]	96 kg [212 lb]	160 kg [353 lb]	165 kg [364 lb]	283 kg [624 lb]	321 kg [708 lb]

9. Garantía

Garantía Limitada de Fábrica para Productos UPS Trifásicos de Tripp Lite

El vendedor garantiza el producto, si se usa de acuerdo con las especificaciones del fabricante, como se detalla en el manual del propietario y todas las instrucciones aplicables y como verificado por el servicio de puesta en servicio del UPS de Tripp Lite, de estar libre de defectos en material y mano de obra. Esta garantía se aplica por un período de:

Tipo de Producto	Región	
	Estados Unidos Continental y Canadá	Mercados Internacionales (Excluyendo EE UU y Canadá)
Electrónica del UPS y Baterías Internas del UPS	Un año desde la puesta en servicio del UPS de Tripp Lite o 18 meses a partir del envío, lo que sea menor.	Dos años desde la puesta en servicio del UPS de Tripp Lite o 30 meses a partir del envío, lo que sea menor.
Baterías Externas del UPS	Un año desde la puesta en servicio del UPS de Tripp Lite o 18 meses a partir del envío, lo que sea menor.	Un año desde la puesta en servicio del UPS de Tripp Lite o 18 meses a partir del envío, lo que sea menor.

Si el producto resulta defectuoso en material o mano de obra dentro de ese período, el vendedor reparará o reemplazará las piezas defectuosas sin costo alguno.

El producto debe ser puesto en servicio por un técnico de servicio autorizado y aprobado de Tripp Lite y la documentación aplicable de puesta en servicio o mantenimiento debe ser enviada a y aprobada por Tripp Lite para que esta garantía sea válida. Si el producto no ha sido puesto en servicio por un técnico de servicio autorizado de Tripp Lite, pueden proporcionarse piezas de reemplazo elegibles, pero se aplicarán cargos por piezas y mano de obra no elegibles en función del precio de piezas publicado de Tripp Lite y las tarifas de tiempo y material.

Esta garantía no se aplica a baterías no suministradas por Tripp Lite o cualquier otro componente no suministrado por Tripp Lite. Esta garantía no es transferible y se aplica únicamente al usuario final original. Esta garantía no se aplica a otras extensiones de garantía o contratos de servicio de Tripp Lite, ya que esos productos llevan sus propios términos. El servicio bajo esta garantía sólo puede obtenerse comunicándose con el servicio al cliente de Tripp Lite:


- Para EE UU y Canadá: escriba al Servicio al Cliente de Tripp Lite, 1111 W. 35th St., Chicago, IL 60609; llame al +1.773.869.1234, envíe un correo electrónico a techsupport@tripplite.com o visite tripplite.com/support/help
- Para todas las demás regiones: llame al +1.773.869.1313 o envíe un correo electrónico a intlservice@tripplite.com

ESTA GARANTÍA NO SE APLICA AL DESGASTE NORMAL O A DAÑOS QUE RESULTEN DE UNA INSTALACIÓN INADECUADA, REPARACIÓN, MODIFICACIÓN, PUESTA EN MARCHA, MANTENIMIENTO O PRUEBA POR PERSONAL NO DESIGNADO DE TRIPP LITE; ACCIDENTE; USO INDEBIDO; NEGLIGENCIA; VOLTAJE ELÉCTRICO O CONEXIÓN INCORRECTOS O INADECUADOS; CONDICIONES DE OPERACIÓN INAPROPIADAS EN EL SITIO; ATMÓSFERA CORROSIVA; UN CAMBIO EN LA UBICACIÓN O EN EL USO OPERATIVO; EXPOSICIÓN A LOS ELEMENTOS; - ABUSOS; DESATENCIÓN O CUALQUIER OTRA CAUSA MÁS ALLÁ DEL RANGO DEL USO PREVISTO COMO DETERMINE TRIPP LITE. EL VENDEDOR NO OTORGA GARANTÍAS EXPRESAS DISTINTAS A LA ESTIPULADA EN EL PRESENTE. EXCEPTO EN LA MEDIDA EN QUE LO PROHÍBAN LAS LEYES APLICABLES, TODAS LAS GARANTÍAS IMPLÍCITAS, INCLUIDAS TODAS LAS GARANTÍAS DE COMERCIALIZACIÓN O IDONEIDAD PARA UN PROPÓSITO PARTICULAR, ESTÁN LIMITADAS EN DURACIÓN AL PERÍODO DE GARANTÍA ESTABLECIDO ANTERIORMENTE; Y ESTA GARANTÍA EXCLUYE EXPRESAMENTE TODOS LOS DAÑOS INCIDENTALES Y CONSECUENTES. (EE UU: Algunos estados no permiten limitaciones en cuanto a la duración de una garantía y algunos estados no permiten la exclusión o limitación de daños incidentales o indirectos, de modo que es posible que las limitaciones anteriores no se apliquen a usted. Esta Garantía le otorga derechos legales específicos y es posible que usted goce de otros derechos que pueden variar de una jurisdicción a otra).

Números de Identificación de Conformidad Regulatoria

Para el propósito de certificaciones e identificación de cumplimiento normativo, su producto Tripp Lite ha recibido un número de serie exclusivo. El número de serie se puede encontrar en la etiqueta de placa de identificación, junto con todas las marcas e información requeridas de aprobación. Al solicitar información de conformidad para este producto, refiérase siempre al número de serie. El número de serie no debe confundirse con el nombre de la marca o el número de comercialización del producto.

Información de Cumplimiento con WEEE para Clientes y Recicladores de Tripp Lite (Unión Europea)

 Conforme a la Directiva de Residuos de Equipos Eléctricos y Electrónicos [WEEE] y regulaciones aplicables, cuando los clientes adquieren un equipo eléctrico y electrónico nuevo de Tripp Lite están obligados a:

- Enviar el equipo viejo para fines de reciclaje bajo la modalidad de uno por uno, semejante por semejante (esto varía de un país a otro)
- Enviar el equipo nuevo para reciclaje una vez que finalmente sea un desecho

Tripp Lite tiene una política de mejora continua. Las especificaciones están sujetas a cambios sin previo aviso. Las fotografías e ilustraciones pueden diferir ligeramente de los productos reales.



Manuel de l'utilisateur

Onduleurs triphasés SmartOnline® S3M

Modèles : S3M25K, S3M30K, S3M50K, S3M60K, S3M80K, S3M100K

Entrée : 120/127 V (Ph-N), 208/220 V (Ph-Ph), 3Ø, 4 fils + PE



English 1 • Español 82



1111 W. 35th Street, Chicago, IL 60609 USA • triplite.com/support

Droits d'auteur © 2020 Tripp Lite. Tous droits réservés.

Table des matières

1. Introduction	167	3.9 Compatibilité du modèle de l'onduleur à l'armoire de batteries	186
2. Consignes de sécurité importantes	168	3.10 Installation d'un seul onduleur	186
2.1 Mises en garde concernant le placement de l'onduleur	168	3.10.1 Câbles d'alimentation	187
2.2 Avertissements liés au branchement de l'équipement	168	3.10.2 Disjoncteurs recommandés	189
2.3 Avertissements portant sur les batteries	168	3.11 Connexion d'entrée unique (secteur)	190
2.4 Transport et entreposage	169	3.12 Connexion d'entrée double (secteur et dérivation)	192
2.5 Préparation	169	3.13 Installation de l'onduleur pour les systèmes en parallèle	195
2.6 Installation	169	3.13.1 Connexions en parallèle des câbles d'alimentation	196
2.7 Avertissements concernant les connexions	170	3.13.2 Installation de câbles en parallèle	197
2.8 Fonctionnement	170	3.13.3 Mise en service du système en parallèle	198
2.9 Conformité aux normes	170	3.14 Synchronisation du bus de charge Installation (LBS)	198
3. Installation et câblage	171	3.14.1 Réglage de l'affichage ACL	198
3.1 Avertissement important en matière de sécurité	171	3.14.2 Installation des câbles LBS	199
3.2 Inspection de l'emballage	171	3.14.3 Installation de l'onduleur	200
3.2.1 Inspection externe	171	3.14.4 Réglages LBS	200
3.2.2 Inspection interne	171	3.15 Connexions des batteries externes	201
3.2.3 Contenu de l'emballage	171	4. Fonctionnement	203
3.3 Données mécaniques	172	4.1 Modes de fonctionnement	203
3.3.1 Dimensions pour les modèles S3M25K et S3M30K	172	4.1.1 Mode en ligne CA	203
3.3.2 Dimensions pour les modèles S3M50K et S3M60K	173	4.1.2 Mode batterie (mode énergie emmagasinée)	203
3.3.3 Dimensions pour les modèles S3M80K et S3M100K	174	4.1.3 Mode de dérivation	204
3.3.4 Exigences physiques	175	4.1.4 Mode ECO	204
3.4 Déballage de l'onduleur	176	4.1.5 Mode d'entretien (dérivation manuelle)	205
3.5 Vue d'ensemble	177	4.2. Mise sous/hors tension de l'onduleur	205
3.6 Panneau de contrôle ACL, voyants à DEL et alarmes	184	4.2.1 Démarrage de base	205
3.6.1 Introduction : affichage ACL	184	4.2.2 Mise hors tension de l'onduleur	205
3.6.2 Introduction : alarmes sonores et voyants à DEL	184	4.2.3 Démarrage à froid	206
3.7 Remarques concernant l'installation	185	4.2.4 Passer en mode d'entretien Mode de dérivation	206
3.8 Dispositifs de protection externes	185	4.2.5 Passer du mode de dérivation pour l'entretien au mode en ligne ou ECO	206
3.8.1 Batteries externes	185		
3.8.2 Sortie de l'onduleur	185		
3.8.3 Protection contre les surintensités	186		

Table des matières

4.3 Alarmes, voyants à DEL et affichage ACL	207	6. Communications	237
4.3.1 Vue d'ensemble des alarmes audibles et des voyants à DEL	207	6.1 Carte de gestion Web	237
4.3.2 Introduction au panneau de commande ACL	207	6.1.1 Caractéristiques de la carte WEBCARDLX	237
4.3.3 Page principale : affichage par défaut	208	6.2 Carte de relais	237
4.3.4 Écran d'état	209	6.3 Définition du port de communication USB Définition	238
4.3.5 Interface de l'alarme	212	6.4 Définition du port de communication RS-232	239
4.3.6 Écran des réglages	214	6.5 Définition du port de communication RS-485	239
4.3.6.1 Écran des réglages de base	214	6.6 Définition du port de communication BAT_T	240
4.3.6.2 Écran des réglages avancés	218	6.7 Retour : port des contacts secs du relais	241
4.3.6.2.1 Configuration du système	219	6.8 Connexion REPO	241
4.3.6.2.2 Réglages en parallèle	220	7. Entreposage et entretien	242
4.3.6.2.3 Réglages de la sortie	221	7.1 Entreposage	242
4.3.6.2.4 Réglages des batteries	222	7.2 Entretien	242
4.3.6.2.5 Réglages de la dérivation	224	7.3 Batterie	243
4.3.6.2.6 Réglages des contacts secs	225	7.4 Ventilateur	243
4.3.7 Écran Maint (entretien)	226	8. Caractéristiques techniques	244
4.3.8 Écran commun	228	9. Garantie	245
4.3.9 À propos de l'écran	230	English	1
4.4 Affichage des messages et des alarmes	231	Español	82
4.4.1 Renseignements sur les défaillances	234		
4.4.2 Renseignements sur les alarmes	235		
5. Dépannage	236		

1. Introduction

L'onduleur SmartOnline de la série S3M de Tripp Lite est un onduleur triphasé à véritable conversion double en ligne indépendant de la tension et de la fréquence. Cet onduleur conditionne continuellement l'alimentation électrique entrante, éliminant les perturbations qui autrement endommageraient les appareils électroniques sensibles et minimisant les temps d'indisponibilité du système causés par les fluctuations et les interruptions.

L'onduleur de la série S3M utilise la technologie de contrôle numérique DSP la plus récente et un facteur de puissance de sortie unitaire. Les onduleurs de la série S3M sont conçus selon les normes de qualité et de rendement les plus élevées et offrent les caractéristiques à l'avant-garde du marché suivantes :

Modèle de l'onduleur	Numéro de l'agence	Capacité
S3M25K	AG-044C	25 000 W
S3M30K	AG-044D	30 000 W
S3M50K	AG-044E	50 000 W
S3M60K	AG-044F	60 000 W
S3M80K	AG-0450	80 000 W
S3M100K	AG-0451	100 000 W

- Onduleur en ligne réel – le niveau le plus élevé de protection de l'onduleur, régule complètement l'alimentation électrique entrante avec aucun délai de transfert vers le mode batterie en cas d'une panne de courant prolongée pour continuellement prendre en charge les charges critiques
- Certifié Energy Star – offre le plus haut niveau d'efficacité pour minimiser les coûts de l'électricité et les dépenses
- Facteur de puissance unitaire (PF1) – davantage de puissance réelle permet de prendre en charge plus d'équipement
- L'encombrement réduit le meilleur de sa catégorie et la taille libère de l'espace pour l'équipement qui génère des revenus
- Configuration en parallèle pour plus de capacité (5N+1) et redondance – jusqu'à six onduleurs peuvent utiliser une seule armoire de batteries
- La performance à haut rendement en mode en ligne CA jusqu'à 94 % et en mode ECO jusqu'à 98 %
- La dérivation automatique et manuelle de l'entretien accroît la fiabilité du système et permet d'effectuer l'entretien sans interrompre l'alimentation de la charge liée.
- Large fenêtre de tension d'entrée – l'onduleur régule même l'alimentation entrante de mauvaise qualité sans passer en mode batterie, en maximisant le temps de fonctionnement du système et en protégeant la vie de la batterie
- Écran tactile intuitif en plusieurs langues de grande taille (12,7 mm/5 po) pour une plus grande facilité d'utilisation
- Chargeur de batteries puissant et intelligent (de 20 à 80 A selon le modèle de l'onduleur) pour minimiser le temps de chargement des batteries, améliorant ainsi la fiabilité du système
- Arrêt d'urgence (bouton EPO, RPO à distance) et bouton de démarrage à froid simple à utiliser
- Carte auxiliaire de gestion du réseau Ethernet (SNMP) WEBCARDLX en option
- Trois ports RTU MODBUS : RS-485, RS-232 et USB standard sur tous les modèles
- Capacité d'entrée CA simple et double standard sur tous les modèles
- Dérivation d'entretien intégrée standard; panneaux de dérivation externes offerts
- Variété de modèles dans un grand nombre de capacités pour minimiser les coûts et tenir compte des besoins en matière de fonctionnement
- Conception du panneau avant assortie aux armoires externes de batteries et du transformateur (480 V, 600 V) (optionnelle)

Les onduleurs SmartOnline de la série S3M conviennent parfaitement pour protéger et prendre en charge les applications électriques vitales suivantes :

- Infrastructure de TI – petits centres de données, informatique en périphérie et centres de données de colocation
- Les télécommunications
- Les réseaux (local/étendu)
- L'infrastructure de l'entreprise
- Systèmes de sécurité et d'urgence sans charge de moteur
- Institutions financières, gouvernementales, d'enseignement et de recherche
- Applications industrielles et de soins de santé avec modèles avec trousse transformateur (480 V ou 600 V) + onduleur

Remarque : Tous les accessoires, transformateurs et ressources pour onduleur triphasé Tripp Lite pour les modèles de la série S3M et les autres solutions d'onduleurs triphasés sont offerts à tripplite.com/pages/3-phase-ups-solutions.

2. Avertissements importants en matière de sécurité

CONSERVER CES INSTRUCTIONS

Ce manuel contient des instructions et des avertissements importants qui doivent être respectés au cours de l'installation et de l'entretien de tous les onduleurs triphasés SmartOnline S3M de 25 kVA, 30 kVA, 50 kVA, 60 kVA, 80 kVA et 100 kVA de Tripp Lite. Le non-respect de ces avertissements pourrait nuire à la garantie.

2.1 Avertissements concernant le placement de l'onduleur

- Installer l'onduleur à l'intérieur, à l'écart de la chaleur, de la lumière directe du soleil, de la poussière et de l'humidité excessive et d'autres contaminants conducteurs.
- Installer l'onduleur dans un endroit où la structure est solide. L'onduleur est extrêmement lourd; faire preuve de prudence au moment de déplacer et de soulever l'appareil.
- Utiliser l'onduleur à des températures intérieures se situant entre 0 °C et 40 °C (32 °F et 104 °F) seulement.
- Une performance optimale de l'onduleur et une durée de vie maximale des batteries sont obtenues lorsque la température de fonctionnement est maintenue entre 17 et 25° C.
- S'assurer que l'espace d'installation est suffisant pour l'entretien et la ventilation de l'onduleur. Garder un espace libre d'au moins 500 mm (20 po) à l'arrière, à l'avant et des deux côtés de l'onduleur, et 600 mm (23,6 po) à l'avant pour l'entretien, l'accès et la ventilation.
- Ne pas installer l'onduleur près d'appareils de stockage magnétique de données puisque ceci pourrait causer la corruption des données.

2.2 Avertissements liés au branchement de l'équipement

- Il n'est pas recommandé d'utiliser cet équipement pour des appareils de survie où une défaillance de cet équipement peut, selon toute vraisemblance, entraîner la défaillance de l'appareil de maintien de la vie ou affecter de façon majeure sa sécurité ou son efficacité.
- **DANGER! Risque de décharge électrique** – des pièces sous tension dangereuses à l'intérieur de l'appareil sont alimentées par l'alimentation par batteries externe même lorsque l'alimentation CA d'entrée est débranchée de la source d'alimentation CA.

2.3 Avertissements portant sur les batteries



Cet onduleur présente des TENSIONS MORTELLES. L'onduleur est conçu pour fournir de l'alimentation même lorsqu'il est débranché de l'alimentation du secteur. Seul du PERSONNEL DE SERVICE AUTORISÉ peut accéder à l'intérieur de l'onduleur après avoir débranché l'alimentation du secteur et l'alimentation CC.



Les batteries peuvent présenter un risque de décharge électrique et de brûlures par des courants de court-circuit élevés. La connexion ou le remplacement des batteries ne devrait être effectué que par du personnel d'entretien qualifié tenant compte des mesures de sécurité appropriées. Mettre l'onduleur hors tension avant de connecter ou de déconnecter les batteries externes. Utiliser des outils ayant des poignées isolées. Ne pas ouvrir les batteries. Ne pas créer de court-circuit ou de pont entre les bornes de la batterie et un quelconque objet.

- Les batteries sont recyclables. Se référer aux codes locaux pour connaître les exigences sur la mise au rebut des batteries ou visiter tripplite.com/support/recycling-program pour obtenir plus de renseignements au sujet du recyclage.
- Ne pas éliminer les batteries dans un feu, ne pas mutiler les batteries ou ouvrir le revêtement de protection des batteries. Les électrolytes dégagés peuvent être toxiques pour la peau et les yeux et leur causer des blessures.
- Ne pas déconnecter les batteries lorsque l'onduleur se trouve en mode batterie.
- Débrancher la source de chargement avant de brancher ou débrancher les bornes.
- Les précautions suivantes doivent être observées :
 - 1) Enlever les montres, les bagues ou tout autre objet métallique.
 - 2) Utiliser des outils ayant des poignées isolées.
 - 3) Porter des gants en caoutchouc et des bottes de qualité électrique.
 - 4) Utiliser un tapis en caoutchouc de qualité électrique lors de l'entretien des batteries.

2. Avertissements importants en matière de sécurité

- 5) Ne pas déposer d'outils ou de pièces métalliques sur les batteries ou les armoires de batteries.
- 6) S'assurer que l'alimentation de la batterie (+, -, N) n'est pas accidentellement mise à la terre. Si c'est le cas, enlever la source de la connexion à la terre. Tout contact avec une partie d'une batterie mise à la terre pourrait causer une décharge électrique. La probabilité d'une telle décharge peut être réduite si de telles mises à la terre sont éliminées durant l'installation et l'entretien.
- Le remplacement de la batterie devrait être effectué uniquement par le personnel de service autorisé en utilisant des batteries du même type portant le même numéro (batterie au plomb-acide scellée).



AVERTISSEMENT : Pour éviter toute condition dangereuse pendant l'installation et l'entretien de l'onduleur, ces tâches doivent être effectuées uniquement par des électriciens qualifiés et expérimentés.

Lire attentivement ce manuel de l'utilisateur et les consignes de sécurité avant d'installer ou d'utiliser l'appareil.

2.4 Transport et entreposage

- ⚠ Pour protéger l'onduleur contre les chocs et les impacts, le transporter uniquement dans l'emballage d'origine.
- ⚠ L'onduleur doit être entreposé dans une pièce qui est sèche et ventilée.

2.5 Préparation

- ⚠ De la condensation peut se former si l'onduleur est déplacé directement d'un endroit froid à un emplacement chaud. L'onduleur doit être complètement sec avant d'être installé. Laisser l'onduleur s'ajuster à l'environnement pendant au moins deux heures.
- ⚠ Ne pas installer l'onduleur à proximité de l'eau ou dans un milieu humide.
- ⚠ Ne pas installer l'onduleur sous la lumière directe du soleil ou à proximité de sources de chaleur.
- ⚠ Ne pas bloquer les ouvertures de ventilation sur le boîtier de l'onduleur.

2.6 Installation

- ⚠ Ne pas connecter des appareils ou des dispositifs qui pourraient surcharger l'onduleur (c.-à-d. de l'équipement équipé de moteurs électriques) dans les prises de sortie ou la borne de l'onduleur.
- ⚠ Disposer soigneusement les câbles de telle sorte que personne ne puisse marcher dessus ou trébucher.
- ⚠ Ne pas bloquer les fentes d'aération de l'onduleur. L'onduleur doit être installé dans un endroit avec une bonne ventilation. Laisser un espace de ventilation de chaque côté de l'appareil.
- ⚠ L'onduleur comporte une borne mise à la terre. Dans la configuration finale du système installé, s'assurer de la présence d'une mise à la terre équipotentielle vers l'armoire des batteries de l'onduleur en connectant ensemble les bornes de terre des deux armoires.
- ⚠ L'installation de l'onduleur doit être confiée uniquement à du personnel du service électrique et d'entretien qualifié.
- ⚠ Un dispositif de déconnexion approprié, comme une protection de secours contre les courts-circuits, doit être fourni dans l'installation du câblage du bâtiment.
- ⚠ Un dispositif de commutation d'urgence unique intégral doit être inclus dans l'installation du câblage du bâtiment.
- ⚠ Connecter la mise à la terre avant de connecter la borne du câblage du bâtiment.
- ⚠ L'installation et le câblage doivent être effectués en conformité avec les codes locaux de l'électricité et les réglementations.


2. Avertissements importants en matière de sécurité

2.7 Avertissements concernant les connexions

- Cet onduleur doit être connecté avec un système de mise à la terre TN.
 - L'alimentation électrique de cet appareil doit être triphasée et ses valeurs nominales doivent correspondre aux valeurs sur la plaque signalétique de l'équipement. Elle doit également être correctement mise à la terre.
 - L'alimentation d'entrée vers les modèles d'onduleurs triphasés exige un disjoncteur à 3 pôles.
 - Il n'est pas recommandé d'utiliser cet équipement pour des appareils de survie où une défaillance de cet équipement peut, selon toute vraisemblance, entraîner la défaillance de l'appareil de maintien de la vie ou affecter de façon majeure sa sécurité ou son efficacité.
 - L'onduleur est connecté à une source d'énergie CC (batterie). Les bornes de sortie peuvent toujours être sous tension même lorsque l'onduleur n'est pas branché à une alimentation CA.
- ⚠ Au moment d'installer l'appareil, vérifier que tout panneau de dérivation d'entretien utilisé est configuré correctement avant de mettre l'appareil sous tension.
- S'assurer de placer une étiquette d'avertissement sur tous les sectionneurs d'alimentation principaux installés à distance de l'onduleur et sur tout point d'accès externe entre de tels sectionneurs et l'onduleur. L'étiquette d'avertissement doit porter le libellé suivant ou l'équivalent :

Avant de travailler sur ce circuit

- Isoler l'onduleur.
- Vérifier ensuite l'absence de tension dangereuse entre toutes les bornes, y compris la mise à la terre.

 **Risque de tension de retour**

- Ces modèles d'onduleur incluent un connecteur à contacts secs de retour. Le connecteur de retour pour les modèles de 25 kVA à 60 kVA se trouve à l'arrière de l'appareil. Le connecteur de retour pour les modèles de 80 kVA à 100 kVA se trouve à l'avant de l'appareil.

2.8 Fonctionnement

- ⚠ Ne jamais pas déconnecter le câble du conducteur de terre sur l'onduleur ou les bornes du câblage du bâtiment, car cela aurait pour effet d'annuler la mise à la terre de protection de l'onduleur.
- ⚠ Pour déconnecter complètement l'onduleur, appuyer sur le bouton « OFF » (arrêt), consulter la section **4.2.2 Mise hors tension de l'onduleur**, puis débrancher le secteur.
- ⚠ Veiller à ce qu'aucun liquide ou autre corps étranger ne pénètre dans l'onduleur.

2.9 Conformité aux normes

Ce produit répond aux normes de sécurité suivantes et aux normes d'inspection de la compatibilité électromagnétique (CEM) :

- UL 1778
- CSA C22.2 N° 107.3
- FCC Partie 15 Classe A

3. Installation et câblage

3.1 Avertissement important en matière de sécurité

Lire entièrement ce manuel avant d'entreprendre toute installation et tout câblage. Un ingénieur autorisé par Tripp Lite doit effectuer le démarrage de l'onduleur et un formulaire de démarrage rempli doit être retourné à Tripp Lite afin d'activer la garantie de l'onduleur SmartOnline S3M. Contacter le fournisseur local ou support@tripplite.com pour plus de détails. Pour trouver la personne-ressource locale, visiter tripplite.com/support/contacts, puis cliquer sur « Service Centers » (Centres de service).

3.2 Inspection de l'emballage

3.2.1 Inspection externe

Inspecter l'emballage extérieur de l'onduleur. Si des dommages sont observés, vérifier l'autocollant « Tip 'N Tell » sur l'emballage de l'onduleur pour voir si la boîte de l'onduleur a été inclinée. Si elle a été inclinée, contacter immédiatement le fournisseur chez qui l'onduleur a été acheté.

3.2.2 Inspection interne

1. Vérifier l'étiquette de valeurs nominales sur le dessus du boîtier de l'onduleur et s'assurer que le numéro de l'appareil et la capacité correspondent à ce qui a été commandé.
2. Vérifier l'absence de toute pièce desserrée ou endommagée.
3. L'emballage de l'onduleur contient les éléments répertoriés ci-dessous. Vérifier qu'aucun des éléments n'est manquant.
4. S'il manque quelque chose ou si quelque chose est endommagé, contacter immédiatement le fournisseur chez qui l'onduleur a été acheté.
5. Si l'onduleur doit être retourné, remballer soigneusement l'onduleur et tous les accessoires en utilisant le matériel d'emballage livré avec l'appareil.

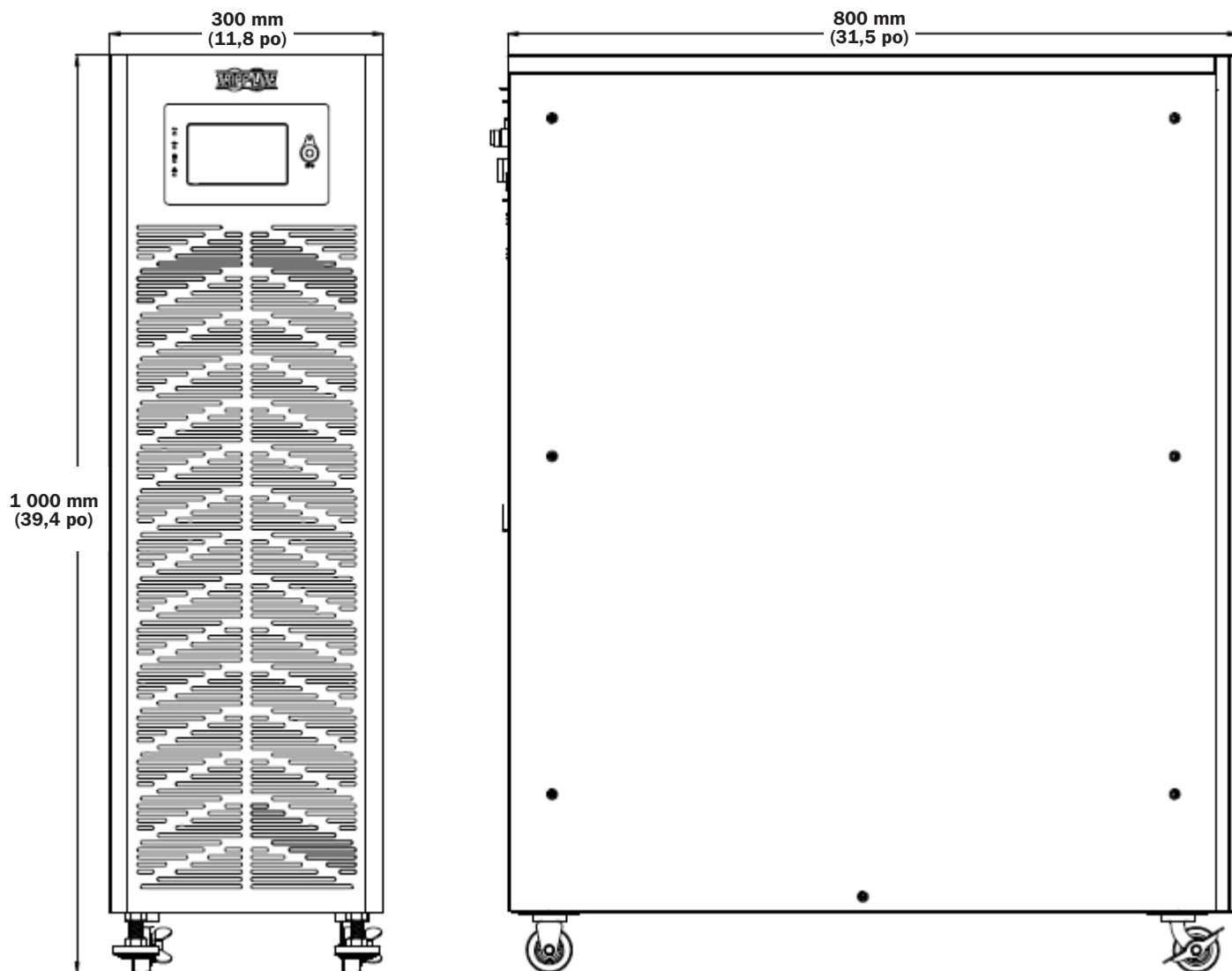
3.2.3 Contenu de l'emballage

- Onduleur
- Câble USB, 1.5 m (5 pi)
- Câble RS-232 (mâle/femelle), 1.5 m (5 pi)
- Câble parallèle (mâle/femelle), 1.5 m (5 pi)
- Connecteur à contacts secs (vert)
- Manuel de l'utilisateur

3. Installation et câblage

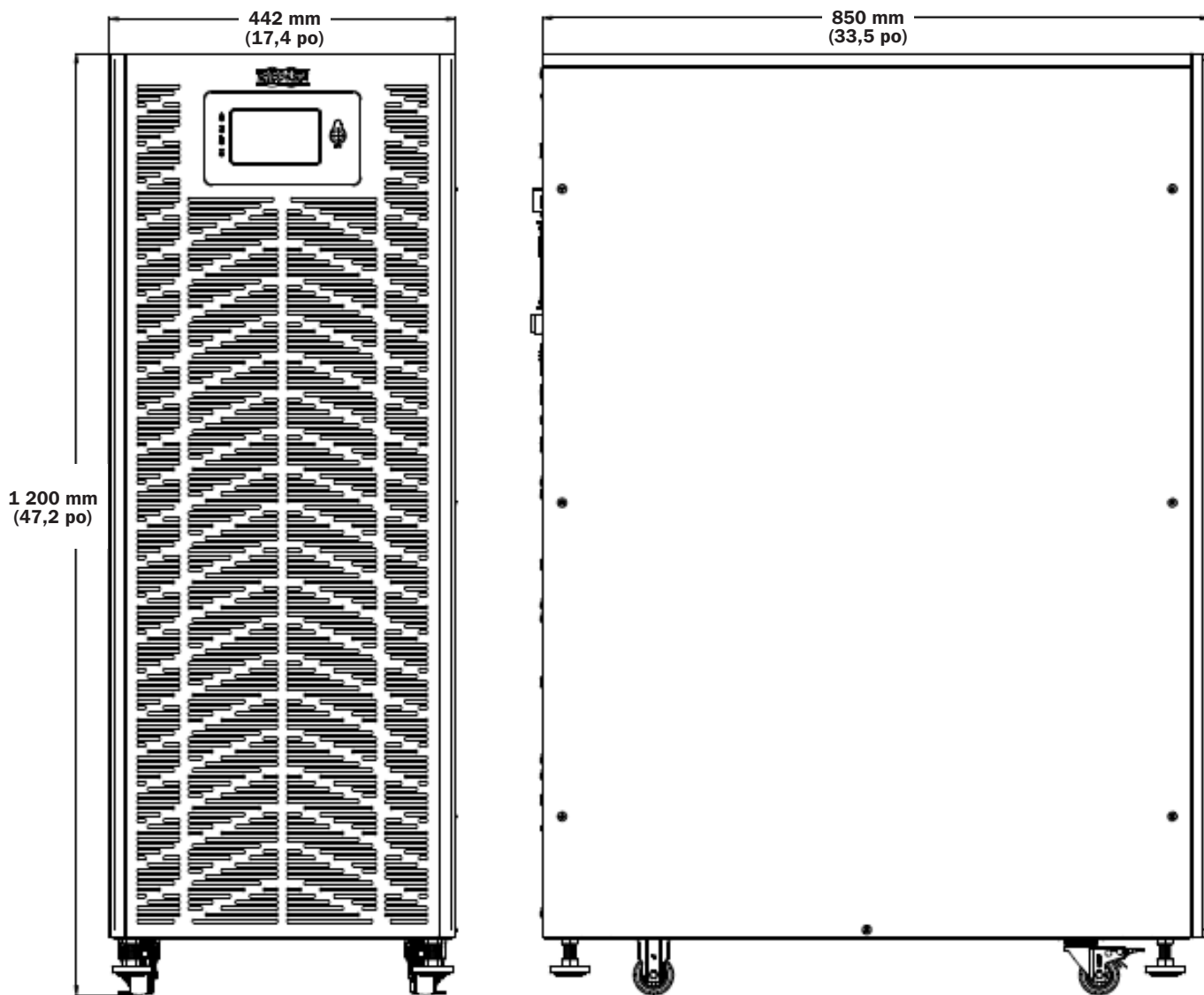
3.3 Données mécaniques

3.3.1 Dimensions pour les modèles S3M25K et S3M30K



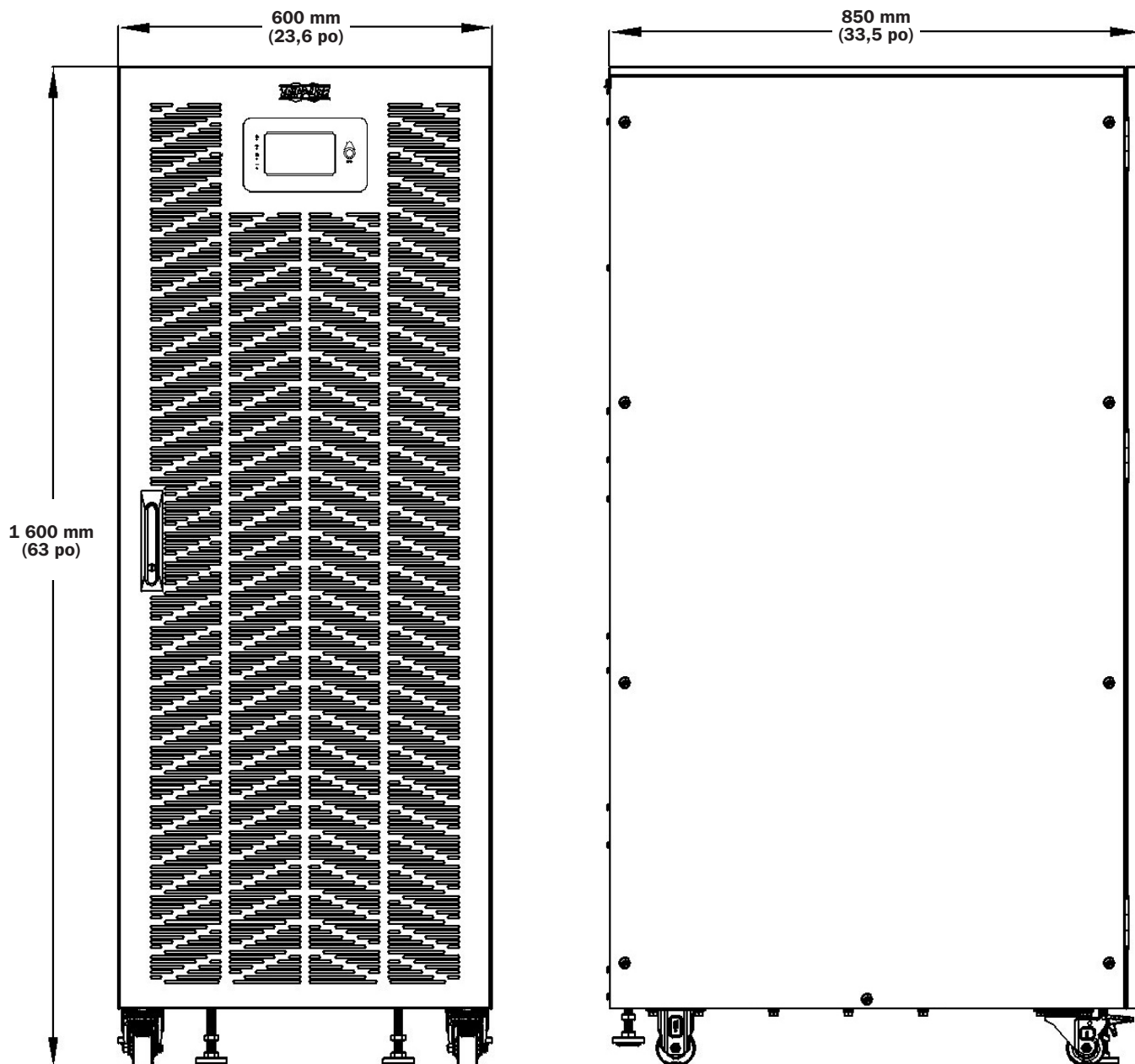
3. Installation et câblage

3.3.2 Dimensions pour les modèles S3M50K et S3M60K



3. Installation et câblage

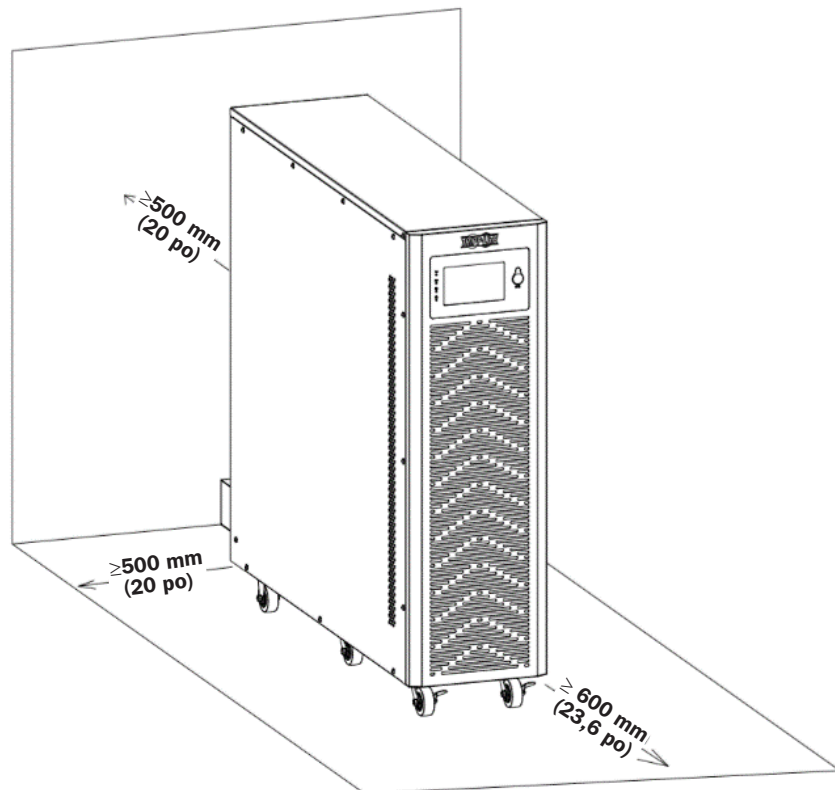
3.3.3 Dimensions pour les modèles S3M80K et S3M100K



3. Installation et câblage

3.3.4 Exigences physiques

Laisser un minimum de 500 mm (20 po) autour de l'avant, de l'arrière, du côté droit et du côté gauche de l'armoire pour le fonctionnement et la ventilation.



3. Installation et câblage

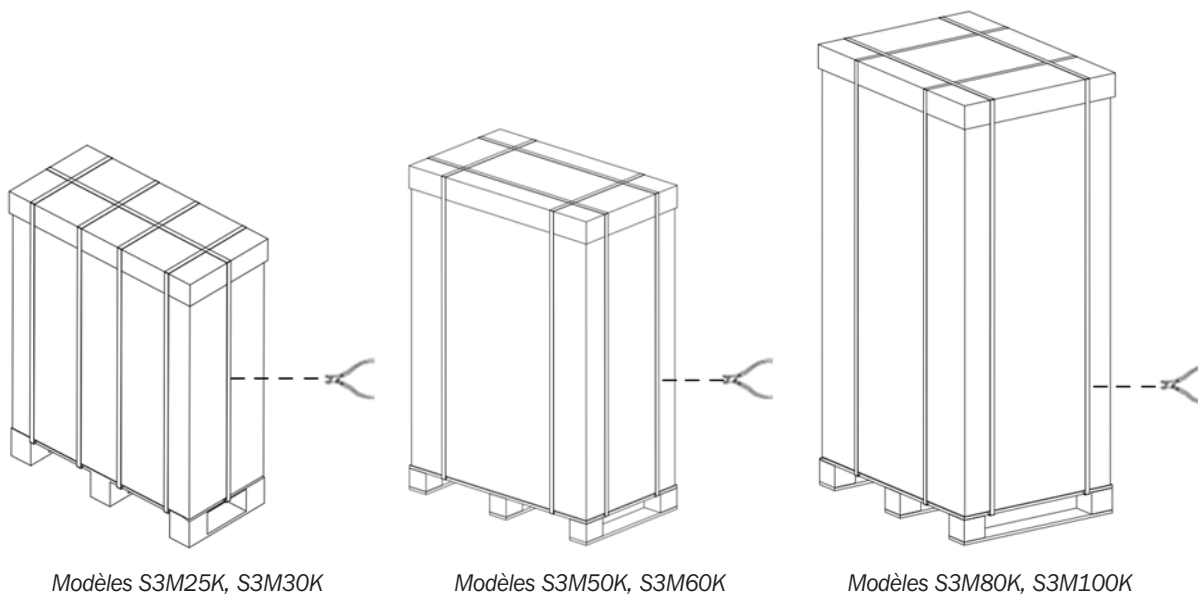
3.4 Déballage de l'onduleur

Remarques :

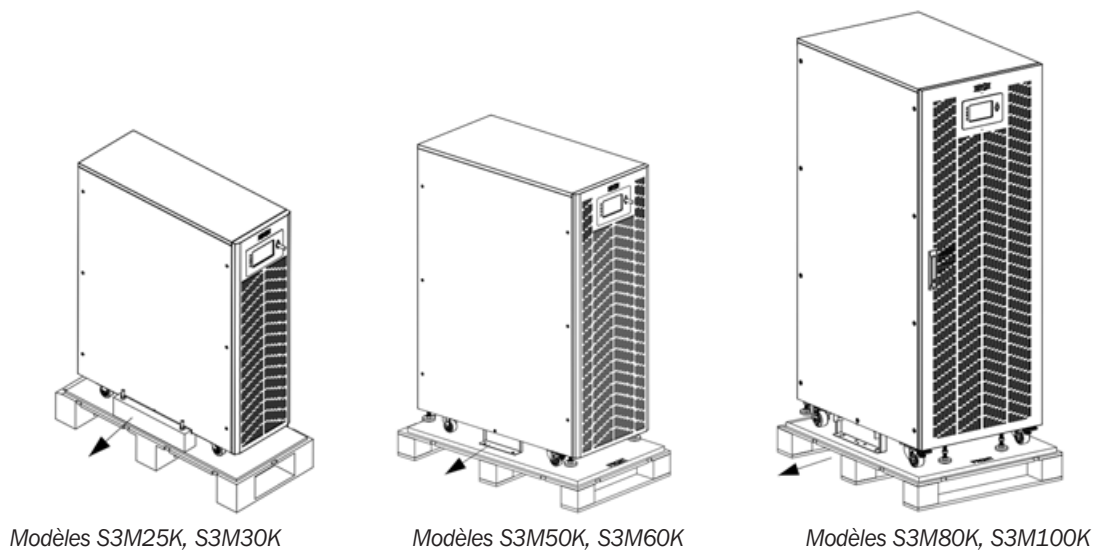
- Ne pas incliner ou pencher l'onduleur au moment de le sortir de l'emballage.
- S'assurer que l'onduleur n'a pas été endommagé pendant le transport (consulter la section **3.2.1 Inspection externe**). Si des dommages sont observés, ne pas mettre l'appareil sous tension. Contacter immédiatement le fournisseur chez qui l'onduleur a été acheté.

Pour déballer l'onduleur :

1. Utiliser un transpalette pour transporter l'onduleur à l'emplacement d'installation.
2. Vérifier l'emballage de l'onduleur.
3. Tenir fermement la plaque coulissante. Couper, puis retirer l'emballage extérieur.

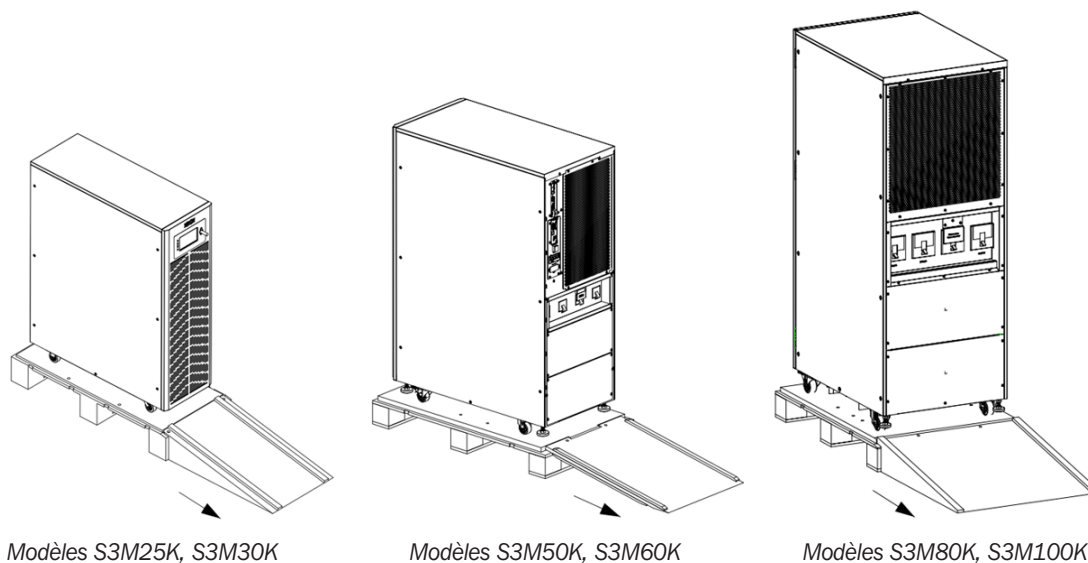


4. Retirer le sac en plastique, puis retirer la boîte de raccords.
5. Vérifier que l'onduleur est intact. Effectuer une inspection visuelle de l'onduleur à la recherche de tout dommage qui aurait pu survenir pendant le transport. Si l'appareil est endommagé, en aviser immédiatement le transporteur. Vérifier les accessoires en les comparant au bordereau d'expédition. Si des pièces sont manquantes, contacter le fournisseur.
6. Dévisser les vis, puis retirer la barre en bois ou la feuille de métal fixée à l'armoire.



3. Installation et câblage

7. Faire glisser lentement l'appareil de la palette.



3.5 Vue d'ensemble

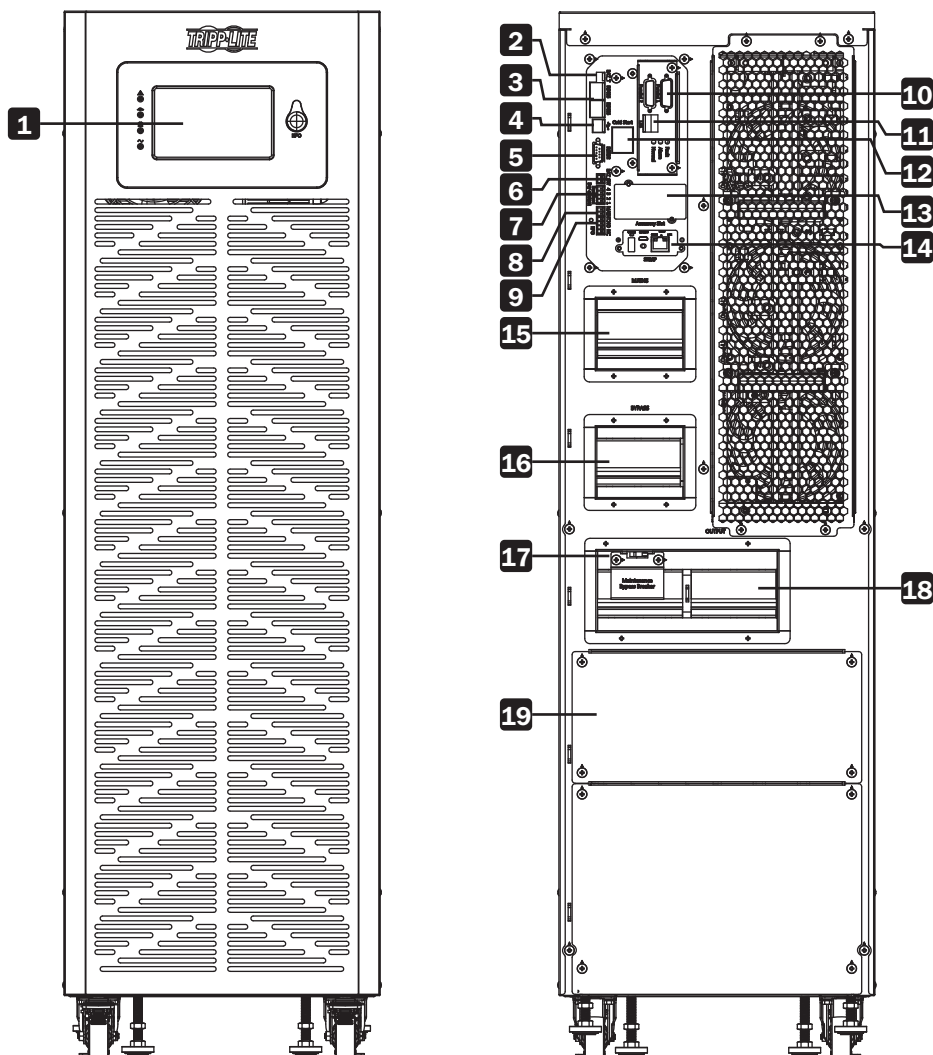


Figure 3-1 : avant et arrière, modèles S3M25K et S3M30K (consulter la page 15 pour l'explication de la légende)

3. Installation et câblage

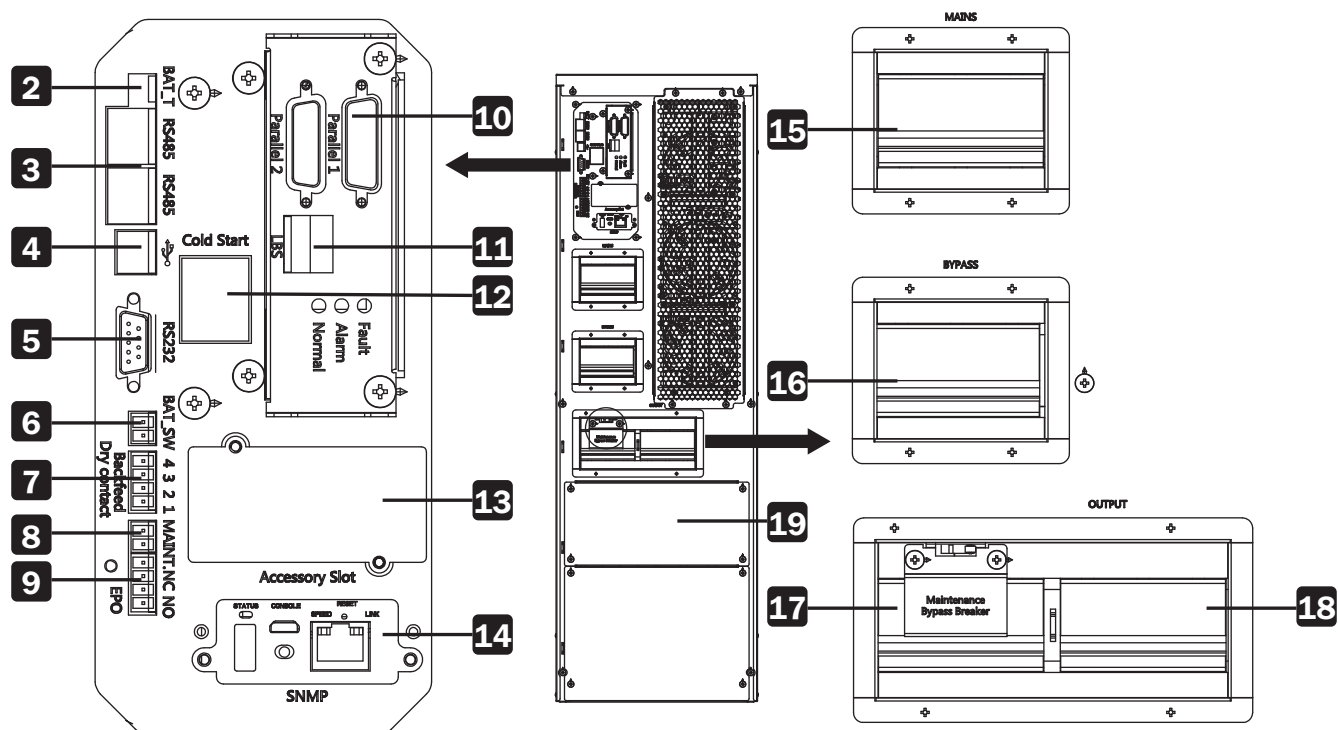


Figure 3-2: détails de la vue arrière, modèles S3M25K et S3M30K

- | | |
|---|--|
| 1 Panneau ACL | 10 Port en parallèle |
| 2 Sonde de température des batteries (NTC) | 11 Port LBS |
| 3 Port RS-485 (MODBUS ou thermostat des batteries) | 12 Bouton de démarrage à froid |
| 4 Port USB | 13 Fente pour accessoires |
| 5 Port RS-232 | 14 Carte de gestion du réseau WEBCARDLX |
| 6 BAT_SW : détection de l'état du disjoncteur des batteries* | 15 Disjoncteur du secteur |
| 7 Port de protection du retour | 16 Disjoncteur de dérivation |
| 8 Port MAINTAIN-AUXSWS** | 17 Disjoncteur d'entretien |
| 9 Port REPO | 18 Disjoncteur de sortie |
| | 19 Bloc de jonction |

*Détection de l'état du disjoncteur des batteries. Raccorder le contact auxiliaire du disjoncteur des batteries au port BAT_SW sur l'onduleur, puis activer la fonction. L'onduleur détectera l'état du disjoncteur des batteries (fermé ou ouvert), puis l'affichera sur l'écran ACL (Dry BATT Breaker).

** Détection de l'état du disjoncteur d'entretien externe. Raccorder le contact auxiliaire du disjoncteur d'entretien externe au port MAINTAIN-AUXSWS sur l'onduleur, puis activer la fonction. L'onduleur détectera l'état du disjoncteur d'entretien externe (fermé ou ouvert), puis l'affichera sur l'écran ACL (Dry MBS Breaker).

3. Installation et câblage

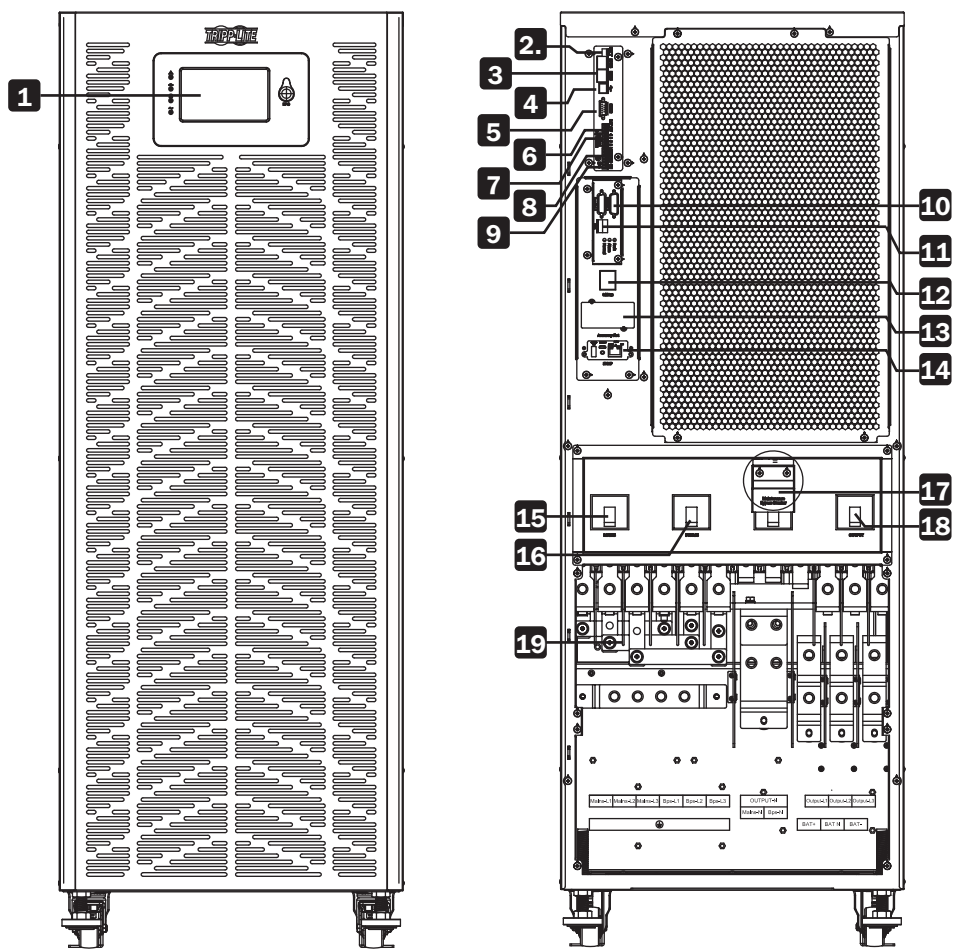


Figure 3-3 : avant et arrière, modèles S3M50K et S3M60K (consulter la page 17 pour l'explication de la légende)

3. Installation et câblage

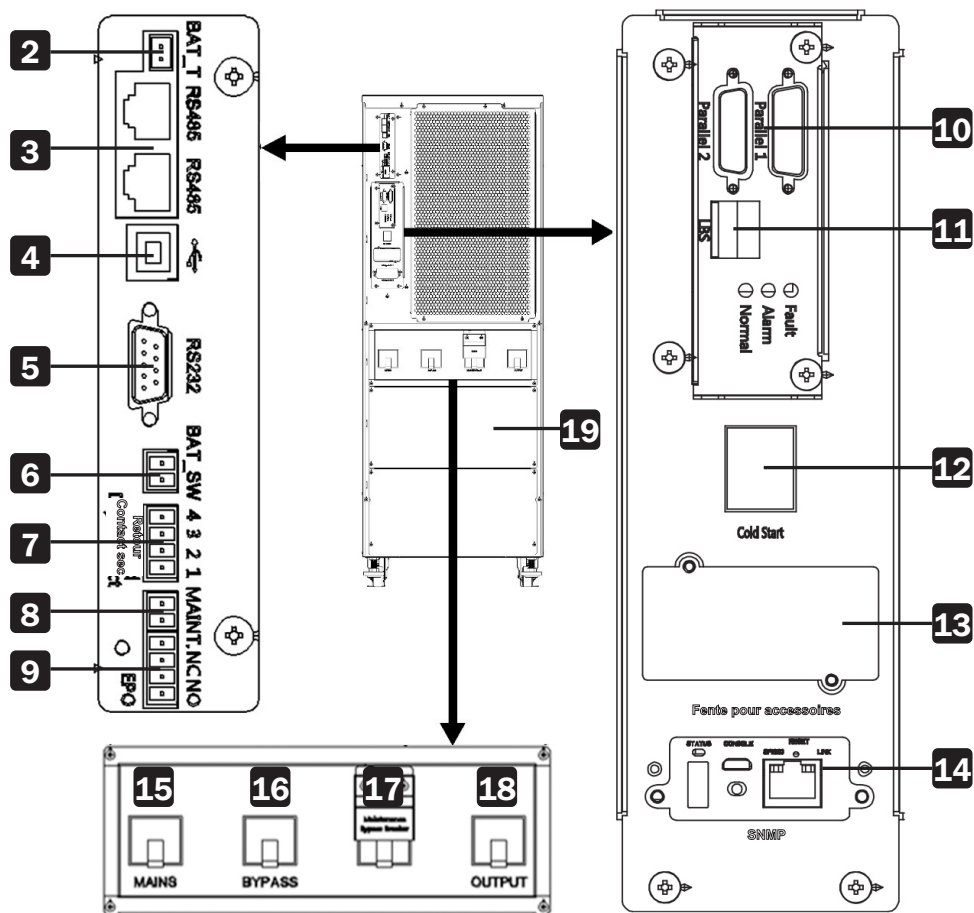


Figure 3-4 : détails de la vue arrière, modèles S3M50K et S3M60K

- | | |
|---|--|
| 1 Panneau ACL | 10 Port en parallèle |
| 2. Sonde de température des batteries (NTC) | 11 Port LBS |
| 3 Port RS-485 (MODBUS or Battery Thermostat) | 12 Bouton de démarrage à froid |
| 4 Port USB | 13 Fente pour accessoires |
| 5 Port RS-232 | 14 Carte de gestion du réseau WEBCARDLX |
| 6 BAT_SW : détection de l'état du disjoncteur des batteries* | 15 Disjoncteur du secteur |
| 7 Port de protection du retour | 16 Disjoncteur de dérivation |
| 8 Port MAINTAIN-AUXSWS** | 17 Disjoncteur d'entretien |
| 9 Port REPO | 18 Disjoncteur de sortie |
| | 19 Bloc de jonction |

*Détection de l'état du disjoncteur des batteries. Raccorder le contact auxiliaire du disjoncteur des batteries au port BAT_SW sur l'onduleur, puis activer la fonction. L'onduleur détectera l'état du disjoncteur des batteries (fermé ou ouvert), puis l'affichera sur l'écran ACL (Dry BATT Breaker).

** Détection de l'état du disjoncteur d'entretien externe. Raccorder le contact auxiliaire du disjoncteur d'entretien externe au port MAINTAIN-AUXSWS sur l'onduleur, puis activer la fonction. L'onduleur détectera l'état du disjoncteur d'entretien externe (fermé ou ouvert), puis l'affichera sur l'écran ACL (Dry MBS Breaker).

3. Installation et câblage

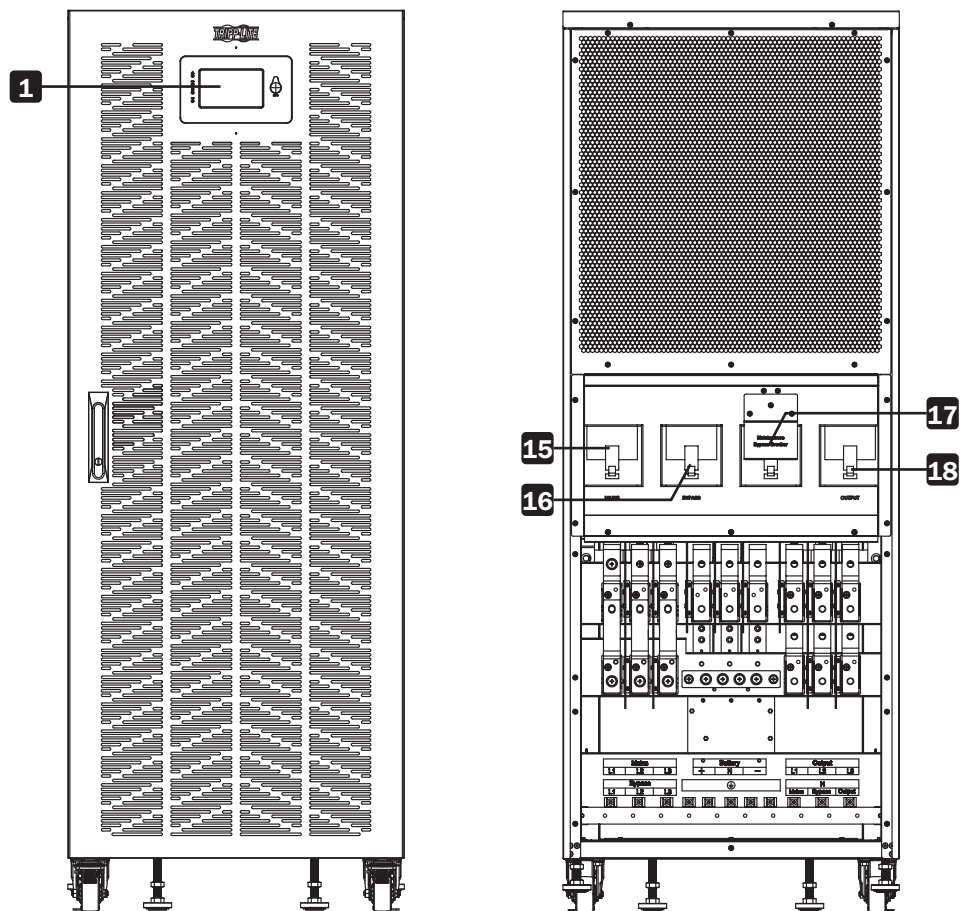


Figure 3-5 : avant et arrière, modèles S3M80K et S3M100K (consulter la page 19 pour l'explication de la légende)

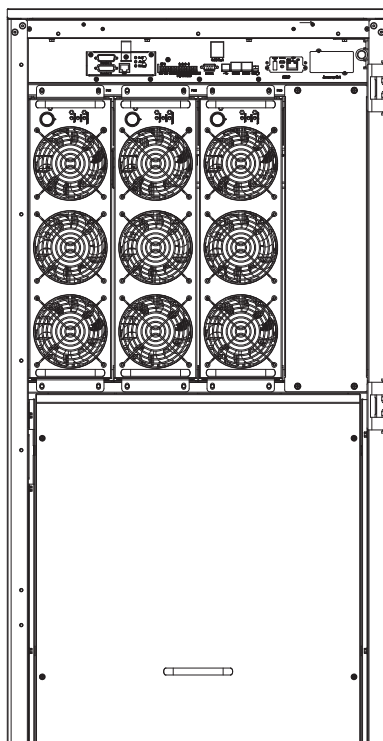


Figure 3-6 : modèle S3M80K avec la porte avant ouverte. (Le modèle S3M100K est semblable, mais avec un module d'alimentation supplémentaire avec 3 ventilateurs.)

3. Installation et câblage

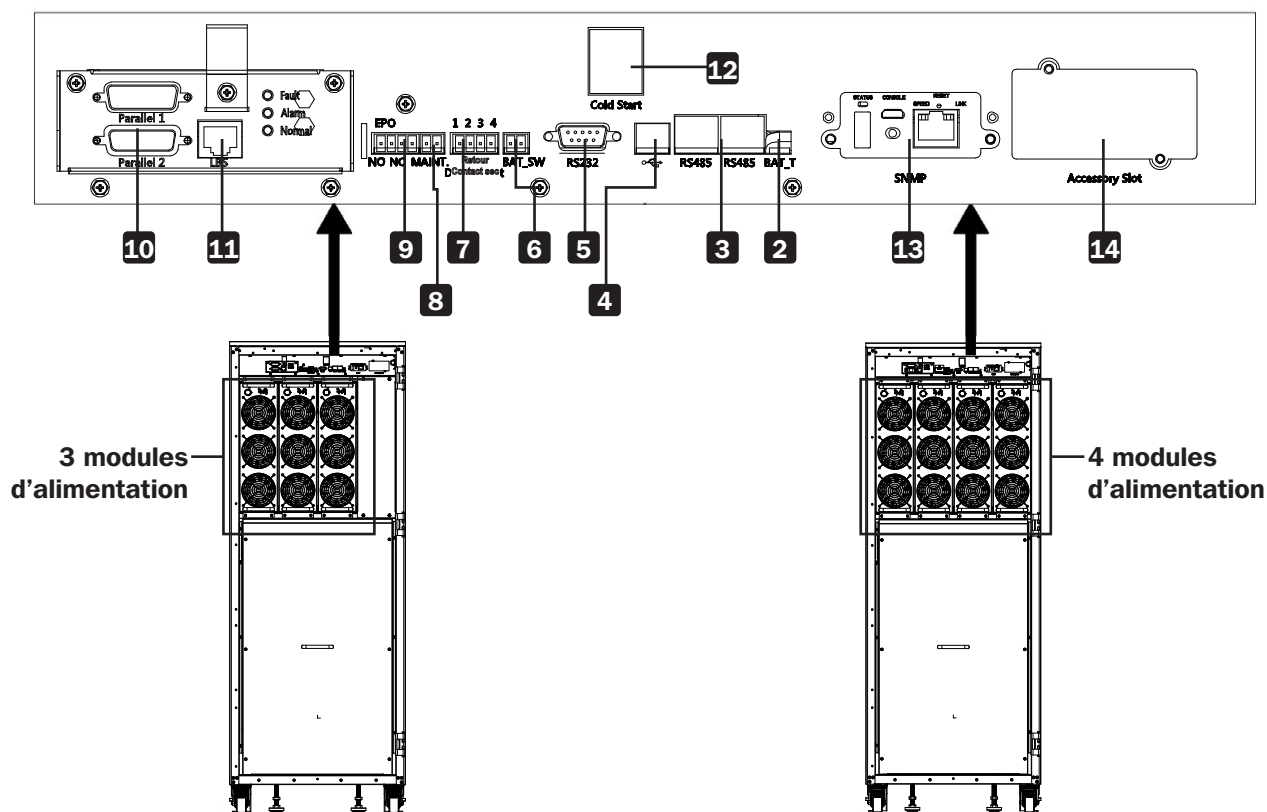


Figure 3-7 : détails de la vue avant, modèle S3M80K

Figure 3-8 : détails de la vue avant, modèle S3M100K

- | | |
|--|---|
| <ul style="list-style-type: none"> 1 Panneau ACL 2 Sonde de température des batteries (NTC) 3 Port RS-485 (MODBUS ou thermostat des batteries) 4 Port USB 5 Port RS-232 6 BAT_SW : détection de l'état du disjoncteur des batteries* 7 Port de protection du retour 8 Port MAINTAIN-AUXSWS** 9 Port REPO | <ul style="list-style-type: none"> 10 Port en parallèle 11 Port LBS 12 Bouton de démarrage à froid 13 Carte de gestion du réseau WEBCARDLX 14 Fente pour accessoires 15 Disjoncteur du secteur 16 Disjoncteur de dérivation 17 Disjoncteur d'entretien 18 Disjoncteur de sortie |
|--|---|

*Détection de l'état du disjoncteur des batteries. Raccorder le contact auxiliaire du disjoncteur des batteries au port BAT_SW sur l'onduleur, puis activer la fonction. L'onduleur détectera l'état du disjoncteur des batteries (fermé ou ouvert), puis l'affichera sur l'écran ACL (Dry BATT Breaker).

** Détection de l'état du disjoncteur d'entretien externe. Raccorder le contact auxiliaire du disjoncteur d'entretien externe au port MAINTAIN-AUXSWS sur l'onduleur, puis activer la fonction. L'onduleur détectera l'état du disjoncteur d'entretien externe (fermé ou ouvert), puis l'affichera sur l'écran ACL (Dry MBS Breaker).

3. Installation et câblage

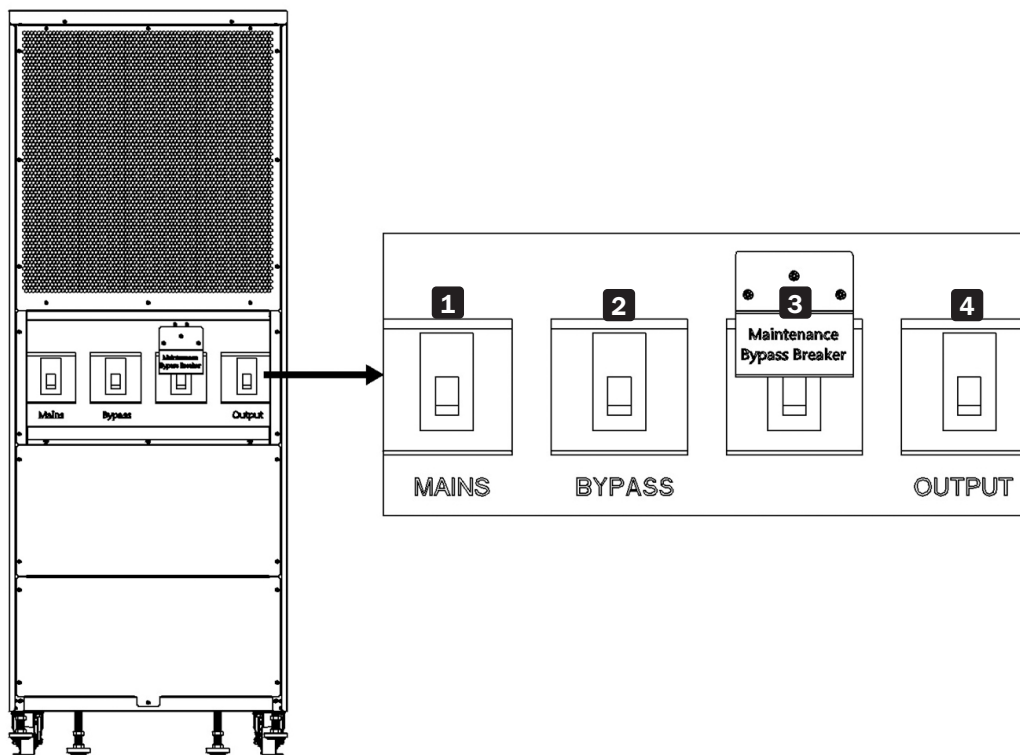


Figure 3-9 : détails de la vue arrière, modèles S3M80K et S3M100K

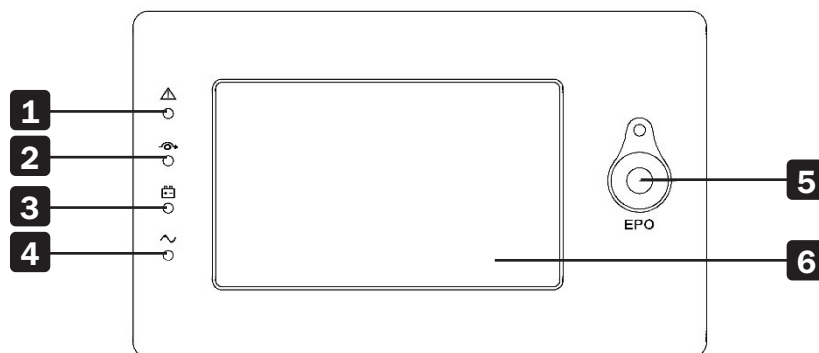
- 1** Disjoncteur du secteur
- 2** Disjoncteur de dérivation
- 3** Disjoncteur d'entretien
- 4** Disjoncteur de sortie

3. Installation et câblage

3.6 Panneau de commande ACL, voyants à DEL et alarmes

3.6.1 Introduction : affichage ACL

Pour des informations détaillées sur les fonctions du panneau de commande ACL, consulter les sections **4.3.2 Introduction au panneau de contrôle ACL** et **4.3.3 Page principale : affichage par défaut**.



1 Voyant à DEL de l'alarme

2 Voyant à DEL de dérivation

3 Voyant à DEL de la batterie

4 Voyant à DEL de l'inverseur

5 Bouton EPO (arrêt d'urgence) (le bouton doit être enfoncé pendant au moins 3 secondes pour activer l'arrêt d'urgence (EPO))

6 Écran ACL tactile, 127 mm (5 po)

3.6.2 Introduction : alarmes sonores et voyants à DEL

	Alarmes sonores		Voyants à DEL de l'affichage			
	État de l'alarme	Mutable On/Off (marche/arrêt, peut être mis en sourdine)	Alarme	Dérivation	Batterie	Inverseur
Initialisation de l'onduleur	Émet un bip, une fois	Non	Clignote/0,5 sec.	Clignote/0,5 sec.	Clignote/0,5 sec.	Clignote/0,5 sec.
Mode en ligne de l'onduleur (normal)	Aucun bip	Aucun bip	Off (hors tension)	Off (hors tension)	Off (hors tension)	Allumé
Mode batterie de l'onduleur	Émet un bip/2 sec.	Oui	Off (hors tension)	Off (hors tension)	On (sous tension)	Off (hors tension)
Mode test de la batterie de l'onduleur	Aucun bip	Aucun bip	Off (hors tension)	Off (hors tension)	On (sous tension)	Off (hors tension)
Mode ECO de l'onduleur	Aucun bip	Aucun bip	Off (hors tension)	On (sous tension)	Off (hors tension)	Off (hors tension)
Mode Attente de l'onduleur	Aucun bip	Aucun bip	Off (hors tension)	Off (hors tension)	Off (hors tension)	Off (hors tension)
Mode de dérivation statique de l'onduleur	Aucun bip	Aucun bip	Off (hors tension)	On (sous tension)	Off (hors tension)	Off (hors tension)
Mode de dérivation d'entretien de l'onduleur	Aucun bip	Aucun bip	Off (hors tension)	On (sous tension)	Off (hors tension)	Off (hors tension)
Mode convertisseur de fréquence de l'onduleur	Aucun bip	Aucun bip	Off (hors tension)	Off (hors tension)	Off (hors tension)	Allumé
Surcharge de la charge de l'onduleur	Émet un bip/1 sec.	Oui	Off (hors tension)	Off (hors tension)	Off (hors tension)	Clignote/2 sec.
Avertissements concernant l'onduleur	Émet un bip/2 sec. ou émet un bip/1 sec.	Oui	Clignote/2 sec.	Clignote/2 sec.	Off (hors tension)	Allumé
Anomalies de l'onduleur	Émet un bip/2 sec. ou émet un bip/1 sec.	Oui	Allumé	On (sous tension)	Off (hors tension)	Off (hors tension)

3. Installation et câblage

3.7 Remarques concernant l'installation

- Placer l'armoire de batteries dans un endroit propre et stable. Éviter les vibrations, la poussière, l'humidité, les gaz inflammables, les liquides et les matières corrosives. Des filtres à air supplémentaires peuvent être nécessaires si l'onduleur fonctionne dans un environnement poussiéreux. Pour plus d'informations sur les filtres à air, contacter tripplite.com/support.
- La température ambiante autour de l'onduleur devrait être maintenue entre 0 et 40 °C (32 et 104 °F). Si la température est supérieure à cette plage, la capacité de charge nominale sera réduite de 12 % par 5 °C (9 °F). Pour aider à prévenir les températures élevées dans la pièce où l'onduleur est installé, il est recommandé d'utiliser des ventilateurs d'évacuation et/ou des systèmes de refroidissement. Ne pas utiliser l'onduleur dans un environnement dont la température est supérieure à 50 °C (122 °F).
- Si l'onduleur est installé ou démonté à basse température, une condensation d'humidité pourrait se former. N'installer l'onduleur que si toutes les pièces internes et externes sont complètement sèches. Sinon, il y a un risque de décharge électrique.
- Les batteries doivent être montées dans un endroit où la température se situe à l'intérieur des spécifications requises. La température est un facteur clé pour déterminer la durée de vie et la capacité des batteries. La température des batteries doit être maintenue entre 20 et 25 °C (59 et 77 °F). Garder les batteries à l'écart des sources de chaleur, des principales zones de ventilation d'air, etc.



MISE EN GARDE!

Les données sur la performance typique des batteries indiquent une température de fonctionnement entre 20 et 25 °C (59 et 77 °F). L'utilisation de l'onduleur au-dessus de cette plage réduira la durée de vie des batteries, tandis que l'utilisation de l'onduleur en deçà de cette plage réduira la capacité des batteries.

- Si l'onduleur n'est pas installé immédiatement, il doit être entreposé dans une pièce exempte de chaleur ou d'humidité excessive.



MISE EN GARDE!

Une batterie non utilisée doit être rechargée tous les 6 mois. Connecter temporairement l'onduleur dans une alimentation CA du secteur, puis l'activer pendant le temps nécessaire pour charger complètement les batteries.

- L'altitude la plus élevée à laquelle l'onduleur peut fonctionner normalement à pleine charge est 1 000 mètres. La capacité de charge doit être réduite lorsque cet onduleur est installé dans un endroit où l'altitude est supérieure à 1 000 mètres.

(Le coefficient de charge est égal à la charge maximale dans un endroit à haute altitude divisé par la puissance nominale de l'onduleur.)

Altitude	1 000 m (3 281 pi)	1 500 m (4 921 pi)	2 000 m (6 562 pi)	2 500 m (8 202 pi)	3 000 m (9 843 pi)	3 500 pi (11 483 pi)	4 000 m (13 124 pi)	4 500 m (14 764 pi)	5 000 m (16 404 pi)
Coefficient de charge	100 %	95 %	90 %	85 %	80 %	75 %	70 %	65 %	60 %

- L'onduleur doit être gardé dans un endroit bien ventilé. Les orifices de ventilation à l'avant et à l'arrière de l'onduleur ne doivent pas être bloqués.

3.8 Dispositifs de protection externes

Pour des raisons de sécurité, il est nécessaire d'installer un disjoncteur externe au niveau de l'alimentation CA d'entrée et au niveau de la batterie.

3.8.1 Batterie externe

L'onduleur et ses batteries connectées sont protégés contre les effets des surintensités par l'entremise d'un disjoncteur thermo-magnétique compatible CC qui se trouve à proximité de la batterie.

3.8.2 Sortie de l'onduleur

Tout tableau de distribution externe utilisé pour la distribution de la charge doit être équipé de dispositifs de protection pour éviter le risque de surcharger l'onduleur.

3. Installation et câblage

3.8.3 Protection contre les surintensités



DANGER !

- Le câblage doit être effectué par un personnel professionnel qualifié.
- Avant d'effectuer le câblage ou toute connexion électrique, s'assurer que l'alimentation fournie à l'entrée et à la sortie de l'onduleur est complètement coupée et que les connecteurs des batteries internes sont déconnectés.
- Au moment de raccorder l'onduleur à l'alimentation CA du secteur et à la source de dérivation, des dispositifs de protection et des connecteurs à 3 pôles doivent être installés. Les dispositifs de protection et les connecteurs à 3 pôles doivent utiliser des composants approuvés qui répondent aux exigences en matière de sécurité. Les disjoncteurs thermomagnétiques doivent avoir une courbe de déclenchement C (normale) IEC 60947-2. Consulter ce qui suit pour les dispositifs de protection requis :

Onduleur de 25kVA : disjoncteur de 100 A requis.

Onduleur de 30kVA : disjoncteur de 125 A requis.

Onduleur de 50kVA : disjoncteur de 200 A requis.

Onduleur de 60kVA : disjoncteur de 250 A requis.

Onduleur de 80kVA : disjoncteur de 320 A requis.

Onduleur de 100kVA : disjoncteur de 400 A requis.

- Au moment de raccorder les charges critiques à l'onduleur, un disjoncteur homologué certifié doit être installé entre elles. Consulter ce qui suit pour les disjoncteurs requis :

Onduleur de 25kVA : disjoncteur de 100 A requis.

Onduleur de 30kVA : disjoncteur de 125 A requis.

Onduleur de 50kVA : disjoncteur de 200 A requis.

Onduleur de 60kVA : disjoncteur de 250 A requis.

Onduleur de 80kVA : disjoncteur de 320 A requis.

Onduleur de 100kVA : disjoncteur de 400 A requis.

- Vérifier que la taille, le diamètre, la phase et la polarité de chaque câble raccordé à l'onduleur sont adaptés. Pour les spécifications des câbles d'entrée/de sortie, consulter le tableau de la section **3.10.1 Câbles d'alimentation**.

3.9 Compatibilité du modèle de l'onduleur à l'armoire de batteries

Armoires de batteries avec batteries	BP240V09 / 09K	BP240V40	BP240V40L	BP240V65	BP240V65L	BP240V100	BP240V100L
Armoires de batteries SANS batteries	BP240V09-NIB	BP240V40-NIB	BP240V40L-NIB	BP240V65-NIB	BP240V65L-NIB	BP240V100-NIB	BP240V100L-NIB
S3M25K, S3M30K	Non	Oui	Oui	Oui	Oui	Oui	Non
S3M50K	Non	Non	Oui	Oui	Oui	Oui	Oui
S3M60K	Non	Non	Non	Non	Oui	Oui	Oui
S3M80K, S3M100K	Non	Non	Non	Non	Oui	Non	Oui

Remarque : Pour des informations sur l'armoire de batteries, consulter le manuel de l'utilisateur de l'armoire de batteries.

3. Installation et câblage

3.10 Installation d'un seul onduleur

L'installation et le câblage doivent être effectués en conformité avec les codes locaux de l'électricité et les réglementations, et doivent être confiés uniquement à du personnel qualifié.

1. S'assurer que le fil et les disjoncteurs du secteur dans le bâtiment peuvent supporter la capacité nominale de l'onduleur pour éviter les secousses électriques ou les risques d'incendie.

Remarque : L'utilisation d'une prise murale comme source d'alimentation d'entrée pour l'onduleur crée un risque que la prise ne brûle ou ne soit détruite.

2. Mettre le commutateur du secteur en position Off (arrêt) dans le bâtiment avant l'installation.
3. Mettre tous les dispositifs connectés hors tension avant de les connecter à l'onduleur.
4. Préparer les câbles d'alimentation conformément aux tableaux ci-dessous. Utiliser le couple de serrage pour l'installation des vis, la taille des disjoncteurs d'entrée de l'onduleur et la taille de batteries et de disjoncteur pour armoire de batteries recommandés.

3.10.1 Câbles d'alimentation

La conception des câbles doit être conforme aux tensions et aux courants indiqués dans cette section. L'installation et le câblage doivent être effectués en conformité avec les codes locaux de l'électricité et les réglementations, et doivent être confiés uniquement à du personnel qualifié.



AVERTISSEMENT!

Avant de commencer, s'assurer de prendre connaissance de l'emplacement et du fonctionnement des isolateurs externes qui sont connectés à la source d'entrée/de dérivation de l'onduleur dans le panneau de distribution du secteur. Vérifier si ces sources sont isolées électriquement. Afficher tout avertissement nécessaire pour prévenir tout fonctionnement accidentel.

Modèles d'onduleur	Dimensions des câbles (mm ²)						Mise à la terre (mm ²)
	Entrée CA (mm ²)		Sortie CA (mm ²)		Entrée CC (mm ²)		
	L	N	L	N	+/-	N	
S3M25K	25 max. 35	50 max. 50	25 max. 35	50 max. 50	50 max. 70	50 max. 70	16 max. 25
S3M30K	35 max. 35	50 max. 50	35 max. 35	50 max. 50	50 max. 70	50 max. 70	25 max. 25
S3M50K	70 max. 70	120 max. 120	50 max. 70	95 max. 95	120 max. 120	95 max. 95	35 max. 35
S3M60K	95 max. 95	70*2 max. 150	70 max. 70	120 max. 120	150 max. 150	120 max. 120	50 max. 50
S3M80K	120 max. 120	95*2 max. 95*2	95 max. 95	70*2 max. 70*2	185 max. 185	70*2 max. 70*2	70 max. 70
S3M100K	150 max. 150	120*2 max. 120*2	120 max. 120	95*2 max. 95*2	120*2 max. 120*2	95*2 max. 95*2	95 max. 95

Modèles d'onduleur	Dimensions des câbles (AWG)						Mise à la terre
	Entrée CA		Sortie CA		Entrée CC		
	L	N	L	N	+/-	N	
S3M25K	4 AWG max. 4 AWG	1/0 AWG max. 1/0 AWG	4 AWG max. 4 AWG	1/0 AWG max. 1/0 AWG	1/0 AWG max. 2/0 AWG	1/0 AWG max. 2/0 AWG	5 AWG max. 4 AWG
S3M30K	2AWG max. 2 AWG	1/0 max. 1/0 AWG	2 AWG max. 2 AWG	1/0 AWG max. 1/0 AWG	1/0 AWG max. 2/0 AWG	1/0 AWG max. 2/0 AWG	4 AWG max. 4 AWG
S3M50K	2/0 AWG max. 2/0 AWG	4/0 AWG max. 4/0 AWG	1/0 AWG max. 2/0 AWG	3/0 AWG max. 3/0 AWG	4/0 AWG max. 4/0 AWG	3/0 AWG max. 3/0 AWG	2AWG max. 2AWG
S3M60K	3/0 AWG max. 3/0 AWG	2/0 AWG*2 max. 2/0 AWG	2/0 AWG max. 2/0 AWG	4/0 AWG max. 4/0 AWG	2/0 AWG*2 max. 2/0 AWG*2	4/0 AWG max. 4/0 AWG	1/0 AWG max. 1/0 AWG
S3M80K	4/0 AWG max. 4/0 AWG	3/0 AWG*2 max. 3/0 AWG*2	3/0 AWG max. 3/0 AWG	2/0 AWG*2 max. 2/0 AWG*2	3/0 AWG*2 max. 3/0 AWG*2	2/0 AWG*2 max. 2/0 AWG*2	2/0 AWG max. 2/0 AWG
S3M100K	2/0 AWG*2 max. 150	4/0 AWG*2 max. 4/0 AWG*2	4/0 AWG max. 4/0 AWG	3/0 AWG*2 max. 3/0 AWG*2	4/0 AWG*2 max. 120*2	3/0 AWG*2 max. 3/0 AWG*2	3/0 AWG max. 3/0 AWG

Tableau 3.1 : superficies de la section transversale recommandées pour les câbles d'alimentation

3. Installation et câblage

- Lors de la sélection, du raccordement et de l'acheminement des câbles d'alimentation, suivre les réglementations et les codes locaux de l'électricité.
- Si les charges principales ne sont pas des charges linéaires, augmenter les superficies de la section transversale des fils neutres.
 - Le courant de décharge nominal des batteries fait référence au courant des quarante batteries de 12 V à 240 V dans une configuration standard.
 - Le courant de décharge maximum des batteries fait référence au courant avec quarante batteries de 12 V dans une configuration standard, c'est-à-dire deux cent quarante éléments de batterie de 2 V (1,67 V/élément). Lorsqu'ils atteignent 1,67 V/élément, ils cesseront de se décharger.
- Les spécifications des câbles des batteries sont sélectionnées sur la base de 20 batteries.
 - Lorsque l'entrée du secteur et l'entrée de dérivation partagent une source d'alimentation, configurer les deux types de câbles d'alimentation d'entrée comme des câbles d'alimentation d'entrée du secteur. Les câbles mentionnés dans le tableau 3.1 sont utilisés uniquement lorsque les exigences suivantes sont satisfaites :
 - Mode d'acheminement : acheminer les câbles par-dessus l'échelle à câbles ou le support en une seule couche
- La longueur des câbles d'alimentation CA d'un onduleur ne dépasse pas 30 m (98 pi) et la longueur des câbles d'alimentation CC ne dépasse pas 50 m (164 pi).

Modèle	Connecteur	Mode de connexion	Type de boulon	Diamètre du trou de boulon	Couple
S3M25K S3M30K	Connecteur d'entrée du secteur	Bornes OT serties	M8	9 mm	20N m
	Connecteur d'entrée de dérivation	Bornes OT serties	M8	9 mm	20N m
	Connecteur d'entrée des batteries	Bornes OT serties	M10	11 mm	26N m
	Connecteur de sortie	Bornes OT serties	M8	9 mm	20N m
	Connecteur neutre	Bornes OT serties	M8	9 mm	20N m
	Connecteur de mise à la masse	Bornes OT serties	M8	9 mm	20N m
S3M50K S3M60K	Connecteur d'entrée du secteur	Bornes OT serties	M10	11 mm	26N m
	Connecteur d'entrée de dérivation	Bornes OT serties	M10	11 mm	26N m
	Connecteur d'entrée des batteries	Bornes OT serties	M10	11 mm	26N m
	Connecteur de sortie	Bornes OT serties	M10	11 mm	26N m
	Connecteur neutre	Bornes OT serties	M10	11 mm	26N m
	Connecteur de mise à la masse	Bornes OT serties	M10	11 mm	26N m
S3M80K S3M100K	Connecteur d'entrée du secteur	Bornes OT serties	M10	11 mm	26N m
	Connecteur d'entrée de dérivation	Bornes OT serties	M10	11 mm	26N m
	Connecteur d'entrée des batteries	Bornes OT serties	M10	11 mm	26N m
	Connecteur de sortie	Bornes OT serties	M10	11 mm	26N m
	Connecteur neutre	Bornes OT serties	M10	11 mm	26N m
	Connecteur de mise à la masse	Bornes OT serties	M10	11 mm	26N m

Tableau 3.2 : Exigences pour le connecteur de câble d'alimentation

3. Installation et câblage

3.10.2 Disjoncteurs recommandés

Modèle de l'onduleur	Composant	Caractéristiques techniques
S3M25K	Disjoncteur d'entrée du secteur	100 A 3P
	Disjoncteur d'entrée de dérivation	100 A 3P
	Disjoncteur de sortie	100 A 3P
	Disjoncteur des batteries	160 A 3P
S3M30K	Disjoncteur d'entrée du secteur	125 A 3P
	Disjoncteur d'entrée de dérivation	125 A 3P
	Disjoncteur de sortie	125 A 3P
	Disjoncteur des batteries	200 A 3P
S3M50K	Disjoncteur d'entrée du secteur	200 A 3P
	Disjoncteur d'entrée de dérivation	200 A 3P
	Disjoncteur de sortie	200 A 3P
	Disjoncteur des batteries	320 A 3P
S3M60K	Disjoncteur d'entrée du secteur	250 A 3P
	Disjoncteur d'entrée de dérivation	250 A 3P
	Disjoncteur de sortie	250 A 3P
	Disjoncteur des batteries	400 A 3P
S3M80K	Disjoncteur d'entrée du secteur	320 A 3P
	Disjoncteur d'entrée de dérivation	320 A 3P
	Disjoncteur de sortie	320 A 3P
	Disjoncteur des batteries	600 A 3P
S3M100K	Disjoncteur d'entrée du secteur	400 A 3P
	Disjoncteur d'entrée de dérivation	400 A 3P
	Disjoncteur de sortie	400 A 3P
	Disjoncteur des batteries	600 A 3P

Tableau 3.3 : Disjoncteurs d'entrée avant et de sortie arrière



DANGER!

Câble de mise à la terre : permet de connecter l'armoire au système de mise à la terre principal. Pour la connexion de mise à la terre, suivre le cheminement le plus court possible.



AVERTISSEMENT!

Le non-respect de procédures adéquates de mise à la terre risque de causer de l'interférence électromagnétique ou des risques incluant des secousses électriques et un incendie.

3. Installation et câblage

3.11 Connexion d'entrée simple (secteur)

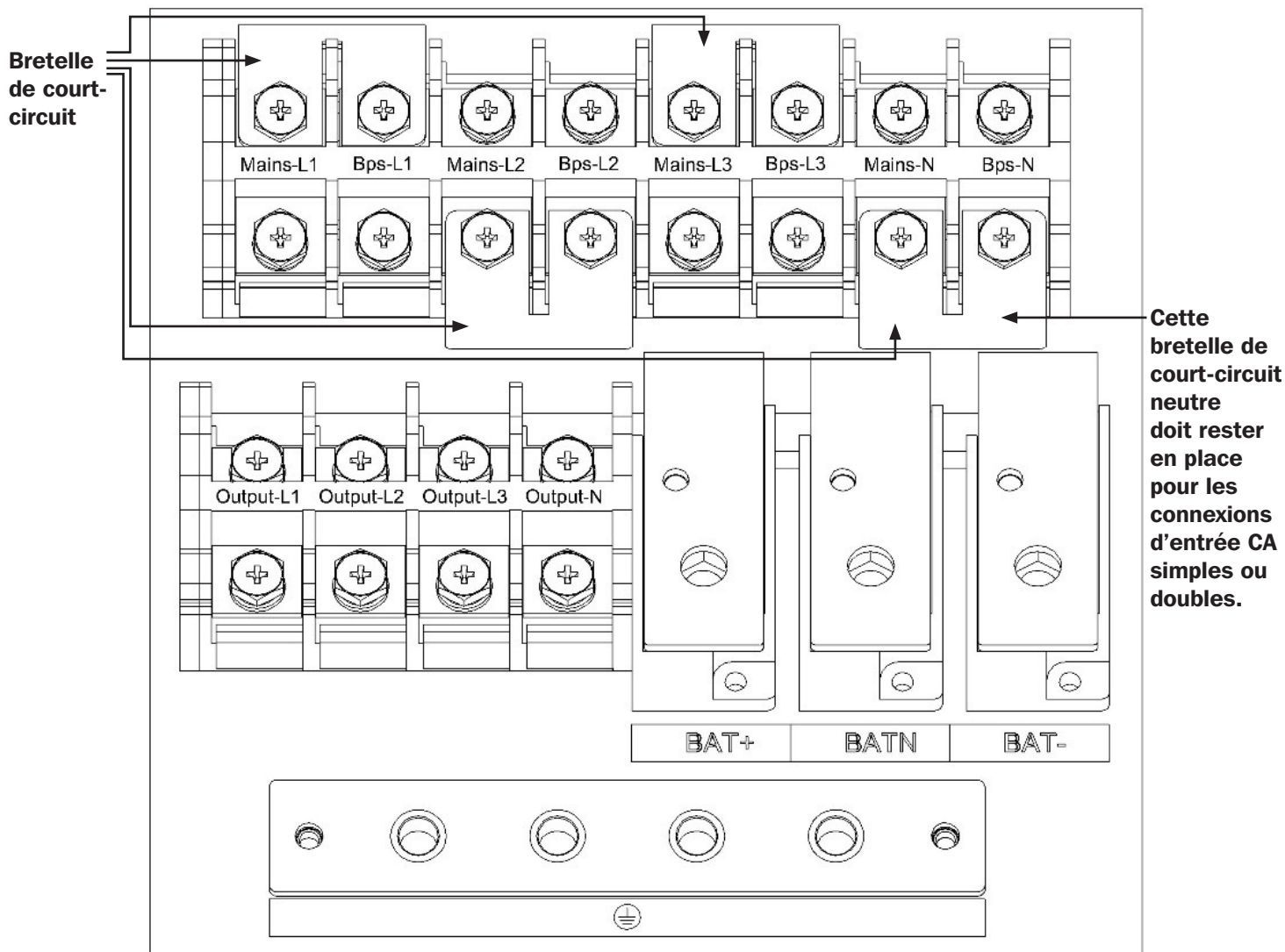


Figure 3-10 : connexion d'entrée simple, modèles S3M25K et S3M30K

Remarque : L'onduleur est configuré en mode d'entrée simple par défaut. Retirer les bretelles de court-circuit pour une utilisation en mode d'entrée double.

3. Installation et câblage

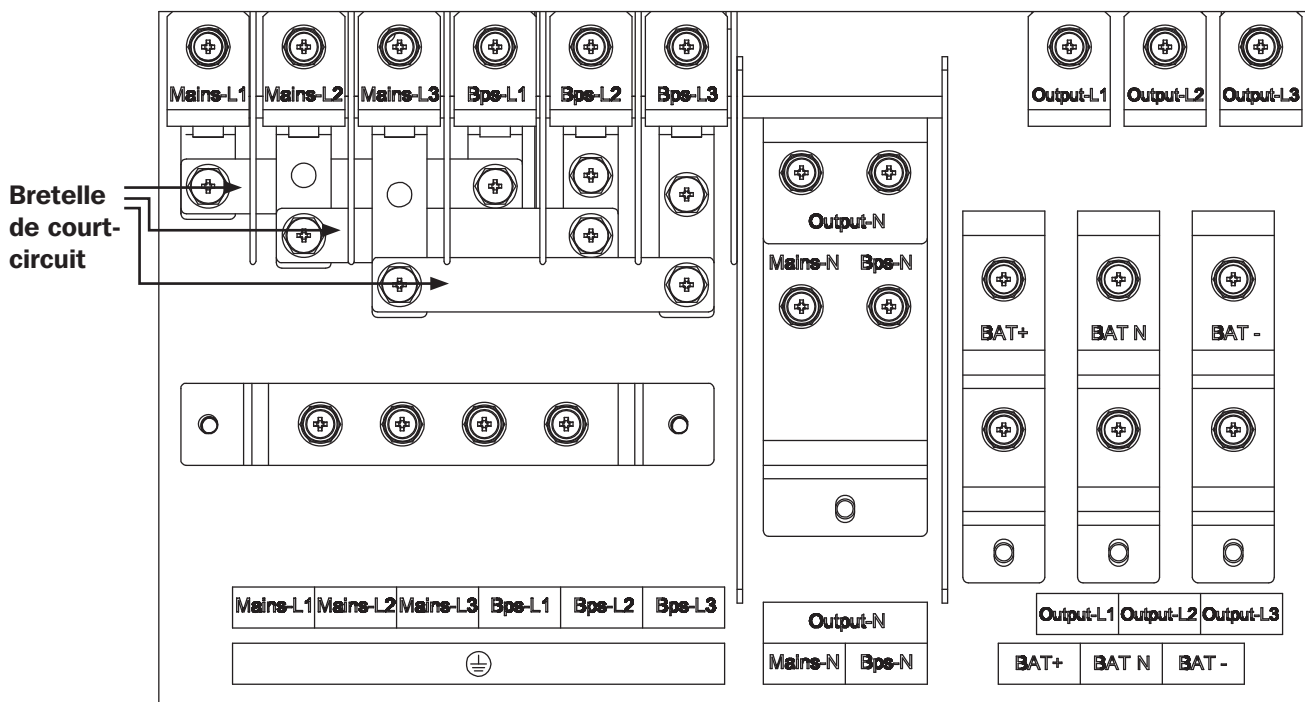


Figure 3-11 : connexion d'entrée simple, modèles S3M50K et S3M60K

Remarque : L'onduleur est configuré en mode d'entrée simple par défaut. Retirer les bretelles de court-circuit pour une utilisation en mode d'entrée double.

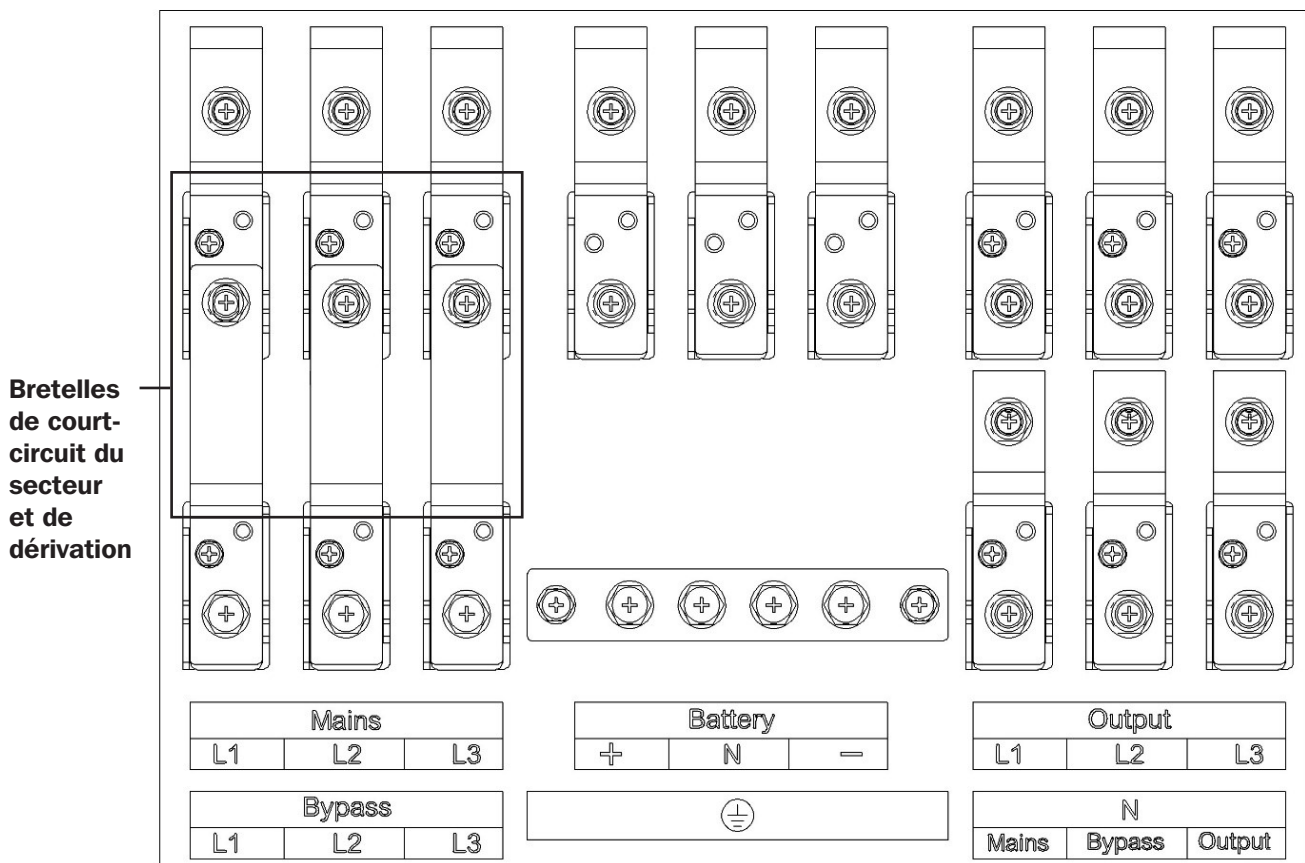


Figure 3-12 : connexion d'entrée simple, modèles S3M80K et S3M100K

Remarque : L'onduleur est configuré en mode d'entrée simple par défaut. Retirer les bretelles de court-circuit pour une utilisation en mode d'entrée double.

3. Installation et câblage

ENTRÉE ligne d'entrée principale	SORTIE
	Vout-L1 : phase de sortie L1
Vin-L1 : phase d'entrée principale L1	Vout -L2 : phase de sortie L2
Vin-L2 : phase d'entrée principale L2	Vout -L3 : phase de sortie L3
Vin-L3 : phase d'entrée principale L3	Vout -N : neutre de sortie
Vin-N : neutre d'entrée pour l'entrée principale et secondaire	PE : mise à la terre
	BAT+ : borne positive de l'ensemble de batteries
	BATN : borne neutre de l'ensemble de batteries
	BAT- : borne négative de l'ensemble de batteries

3.12 Connexion d'entrée double (secteur et dérivation)

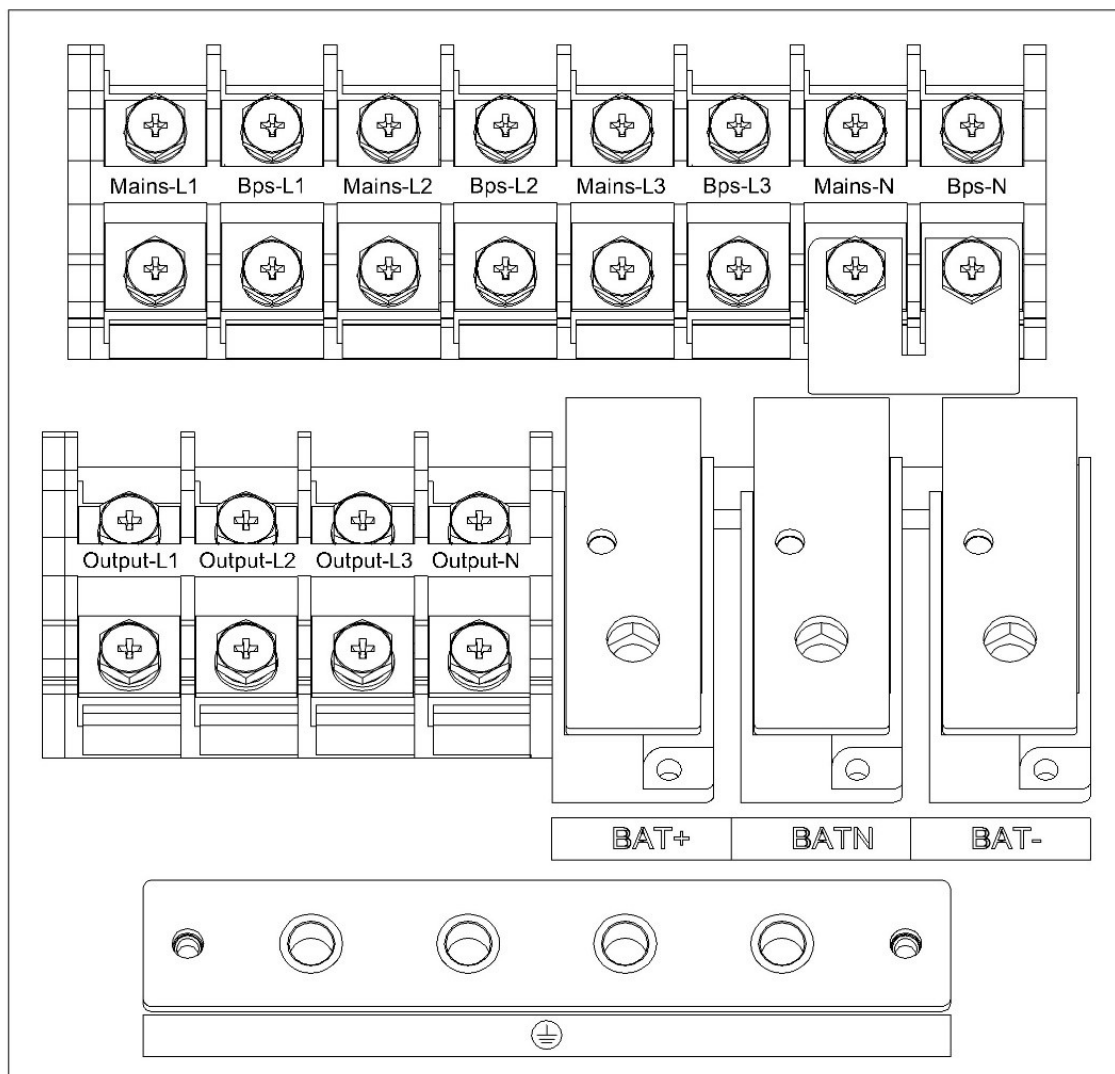


Figure 3-13 : connexion d'entrée double, modèles S3M25K et S3M30K

Remarque : L'onduleur est configuré en mode d'entrée simple par défaut comme illustré à la Figure 3-10. Retirer les bretelles de court-circuit pour une utilisation en mode d'entrée double.

3. Installation et câblage

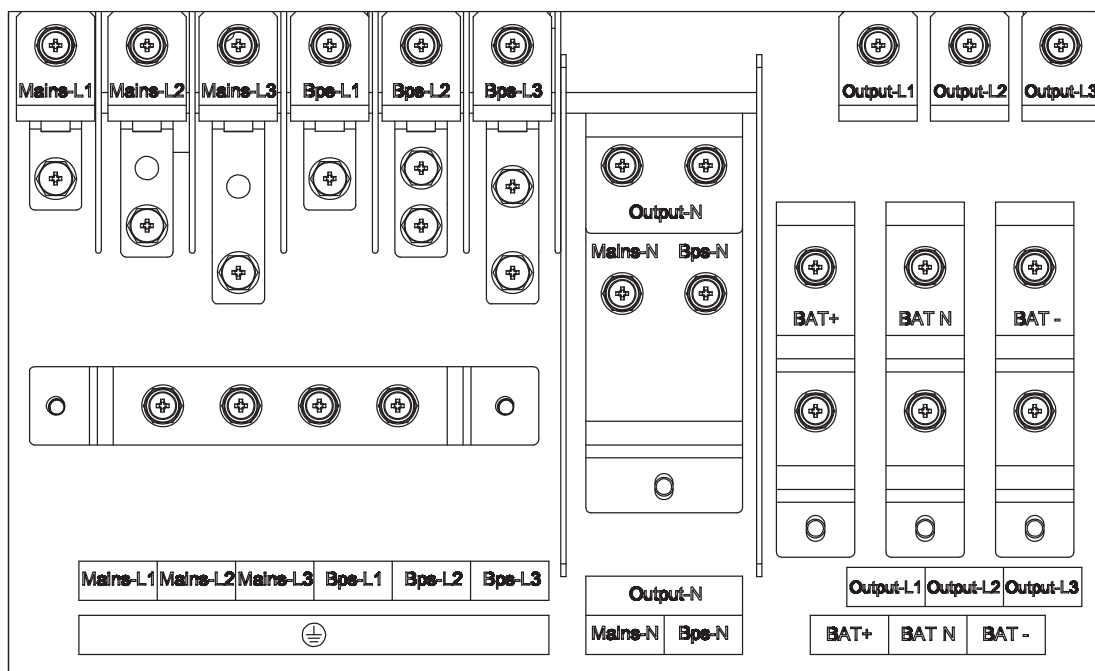


Figure 3-14 : connexion d'entrée double, modèles S3M50K et S3M60K

Remarque : L'onduleur est configuré en mode d'entrée simple par défaut comme illustré à la Figure 3-11. Retirer les bretelles de court-circuit pour une utilisation en mode d'entrée double.

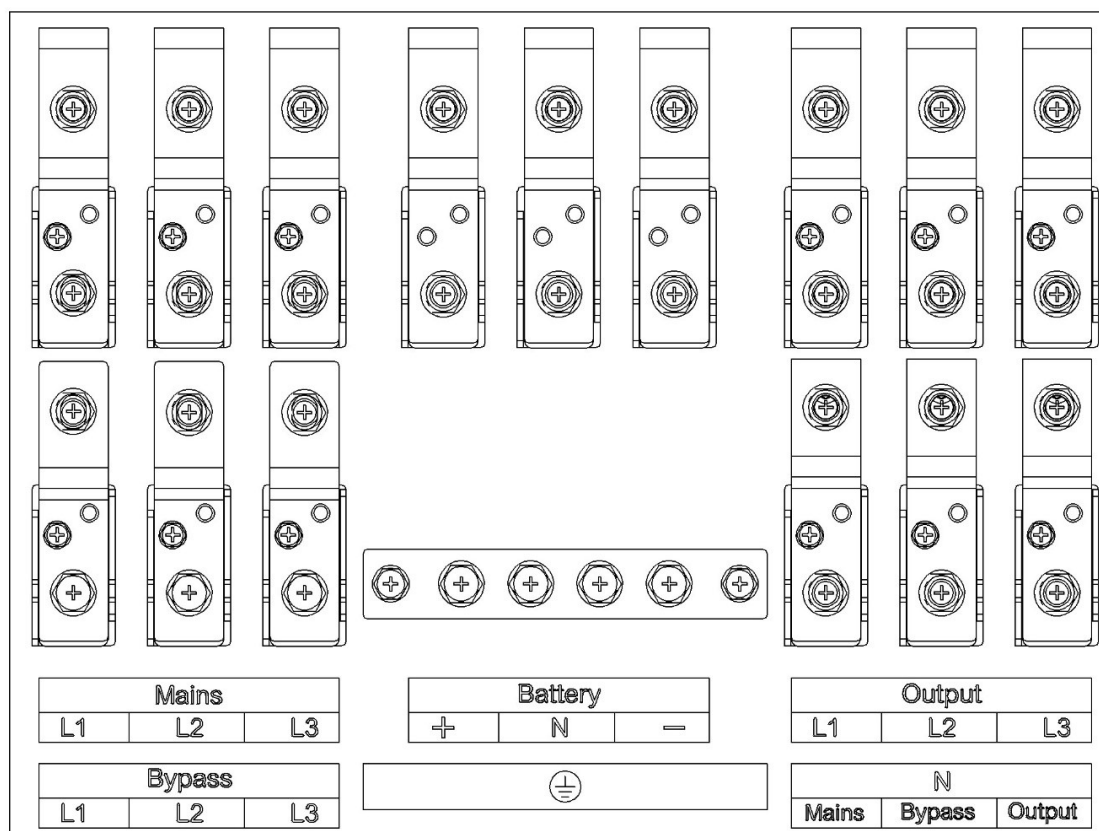


Figure 3-15 : connexion d'entrée double, modèles S3M80K et S3M100K

Remarque : L'onduleur est configuré en mode d'entrée simple par défaut comme illustré à la Figure 3-12. Retirer les bretelles de court-circuit pour une utilisation en mode d'entrée double.

3. Installation et câblage

Mains ligne d'entrée principale	Sortie
Bypass ligne d'entrée secondaire/de dérivation (facultative)	Vout-L1 : phase de sortie L1
Vin-L1 : phase d'entrée principale L1	Vout-L2 : phase de sortie L2
Vin-L2 : phase d'entrée principale L2	Vout-L3 : phase de sortie L3
Vin-L3 : phase d'entrée principale L3	Vout -N : neutre de sortie
Vin-N : neutre d'entrée pour l'entrée principale et secondaire	PE : mise à la terre
BPS-L1 : phase d'entrée secondaire L1	BAT+ : borne positive de l'ensemble de batteries
BPS-L2 : phase d'entrée secondaire L2	BATN : prise centrale N de la batterie
BPS-L3 : phase d'entrée secondaire L3	BAT- : borne négative de l'ensemble de batteries



AVERTISSEMENT : Dans le cas d'un fonctionnement à deux entrées, s'assurer que le fil de cuivre entre chaque ligne d'entrée a été enlevé. L'alimentation d'entrée CA et l'alimentation de dérivation CA doivent être représentées par le même point neutre.

Choisir le câble d'alimentation approprié (consulter le Tableau 3.1). Le diamètre de la borne de connexion du câble doit être supérieur ou égal à celui des pôles de connexion.

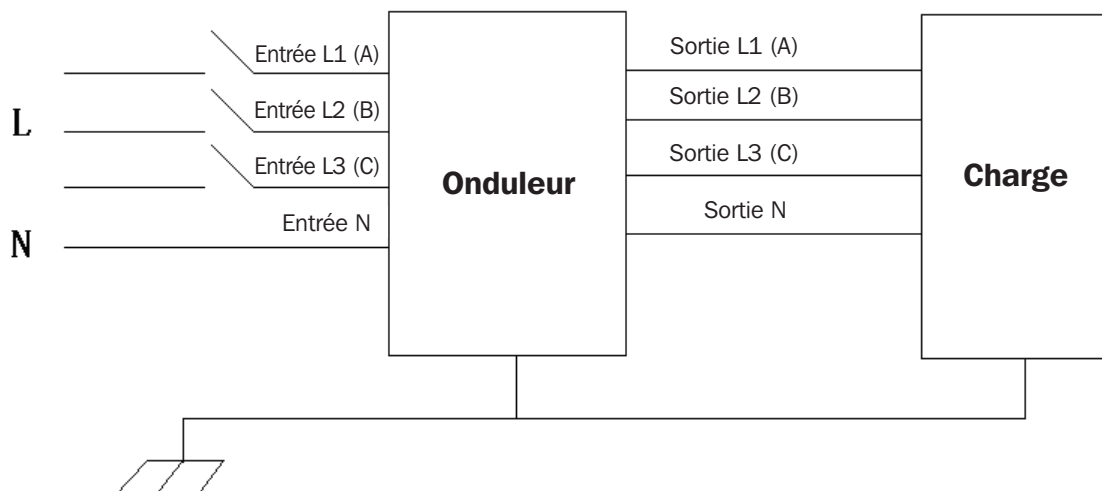


Figure 3-16 : connexions d'entrée et de sortie



AVERTISSEMENT!

Si l'équipement électrique n'est pas prêt à accepter l'alimentation lors de l'arrivée de l'ingénieur chargé de la mise en service, s'assurer alors que les extrémités des câbles de sortie du système sont correctement isolées.

Raccorder le fil de terre de sécurité et tout câble de mise à la terre nécessaire à la vis de mise à la terre en cuivre située sur le plancher de l'équipement, sous les connexions d'alimentation. Toutes les armoires dans l'onduleur doivent être correctement mises à la terre.



DANGER!

L'installation et le câblage doivent être effectués en conformité avec les codes locaux et les réglementations, et l'installation doit être confiée uniquement à un technicien du service électrique qualifié qui devra procéder en suivant les instructions suivantes.

3. Installation et câblage

3.13 Installation de l'onduleur pour les systèmes en parallèle



AVERTISSEMENT : L'installation et le câblage doivent être effectués en conformité avec les codes locaux et les réglementations, et l'installation doit être confiée uniquement à un technicien du service électrique qualifié qui devra procéder en suivant les instructions suivantes.

Installation de l'armoire

Raccorder l'onduleur pour une installation en parallèle selon le schéma de la Figure 3-17.

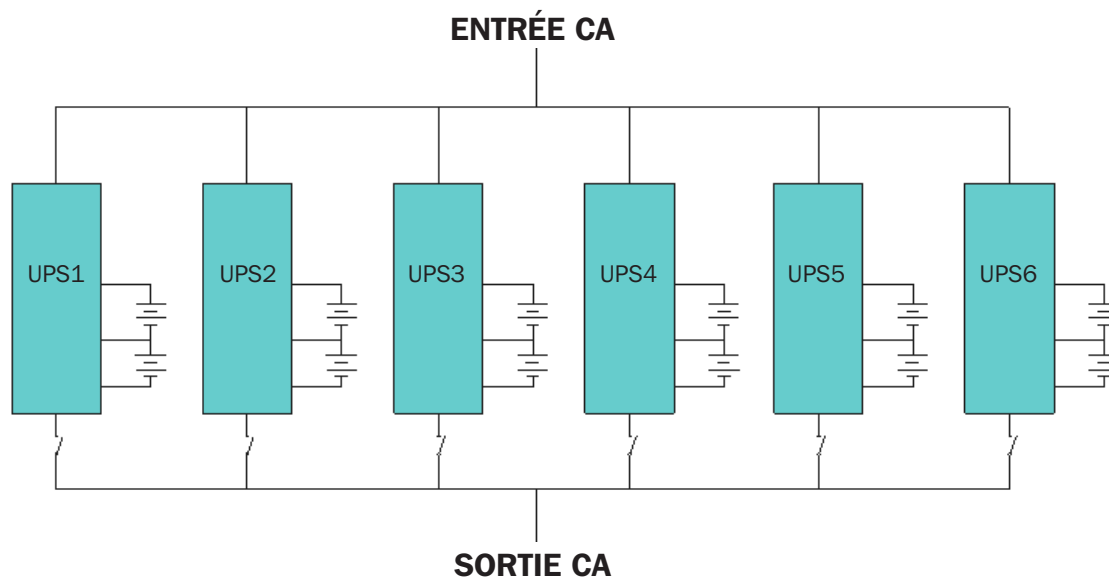


Figure 3-17 : connexions pour une installation en parallèle

S'assurer que chaque disjoncteur d'entrée de l'onduleur se trouve en position « off » (désactivé) et qu'il n'y a aucune puissance provenant de tout onduleur connecté. Les groupes de batteries peuvent être connectés séparément ou en parallèle, ce qui signifie que le système même fournit à la fois la batterie individuelle et la batterie commune.



AVERTISSEMENT!

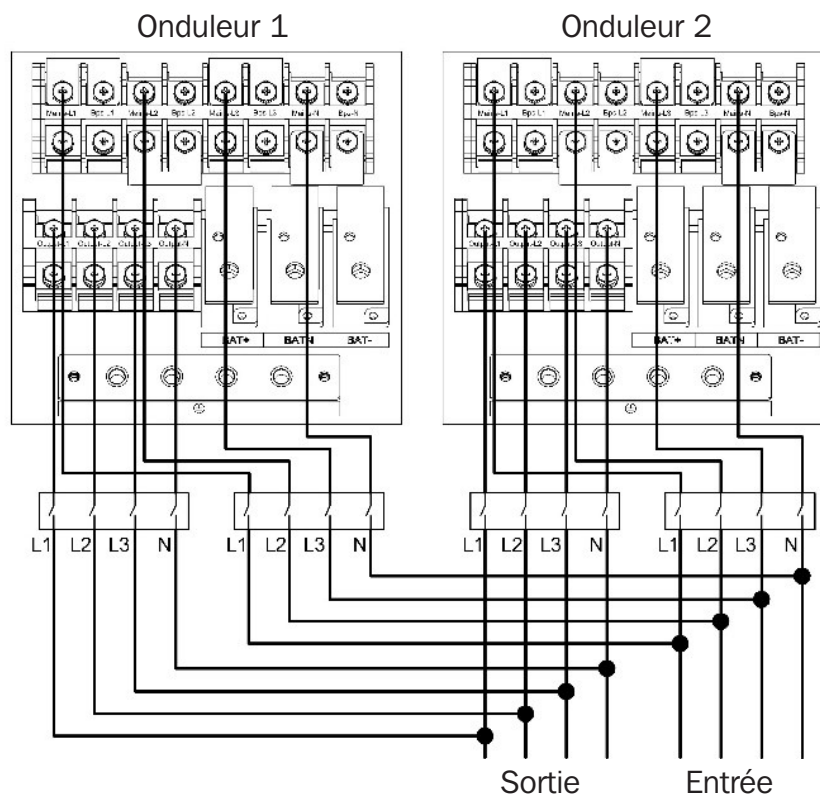
S'assurer que les lignes N, L1, L2 et L3 sont correctes et que la mise à la terre est bien connectée.

1. La configuration en parallèle prend en charge jusqu'à six onduleurs. Ne pas tenter de lier plus de six onduleurs via une configuration en parallèle.
2. Installer et câbler l'onduleur conformément aux lignes directrices de la section **3.13.1 et 3.13.2**.
3. Au moment d'installer le système en parallèle, la longueur des fils d'entrée (L1, L2, L3, N) dans un onduleur doit être égale aux fils d'entrée de l'autre onduleur. De la même façon, la longueur des fils de sortie (L1, L2, L3, N) doit également être d'une longueur égale. Sinon, cela créera du courant déséquilibré sur la charge de sortie.
4. Raccorder le câblage d'entrée de chaque onduleur à un disjoncteur d'entrée.
5. Raccorder le câblage de tous les disjoncteurs d'entrée à un disjoncteur d'entrée principal.
6. Raccorder le câblage de sortie de chaque onduleur à un disjoncteur de sortie.
7. Raccorder tous les disjoncteurs de sortie à un disjoncteur de sortie principal. Ce disjoncteur de sortie principal sera directement connecté aux charges.
8. Si un module de batteries externe est utilisé, chaque onduleur doit être connecté à un module de batteries indépendant ou à un module de batteries commun.
9. Consulter le schéma de câblage suivant pour l'installation en parallèle :

3. Installation et câblage

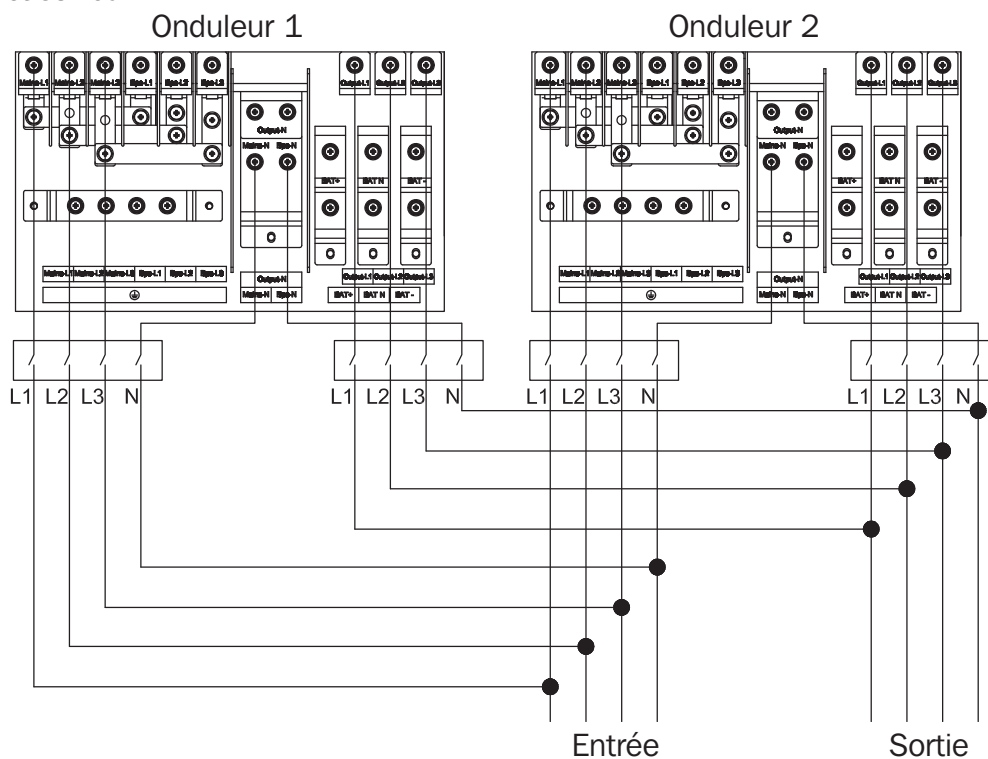
3.13.1 Connexions en parallèle des câbles d'alimentation

Modèles S3M25K et S3M30K



Remarque : L'écran ACL indique L1 comme étant (A), L2 comme étant (B) et L3 comme étant (C).

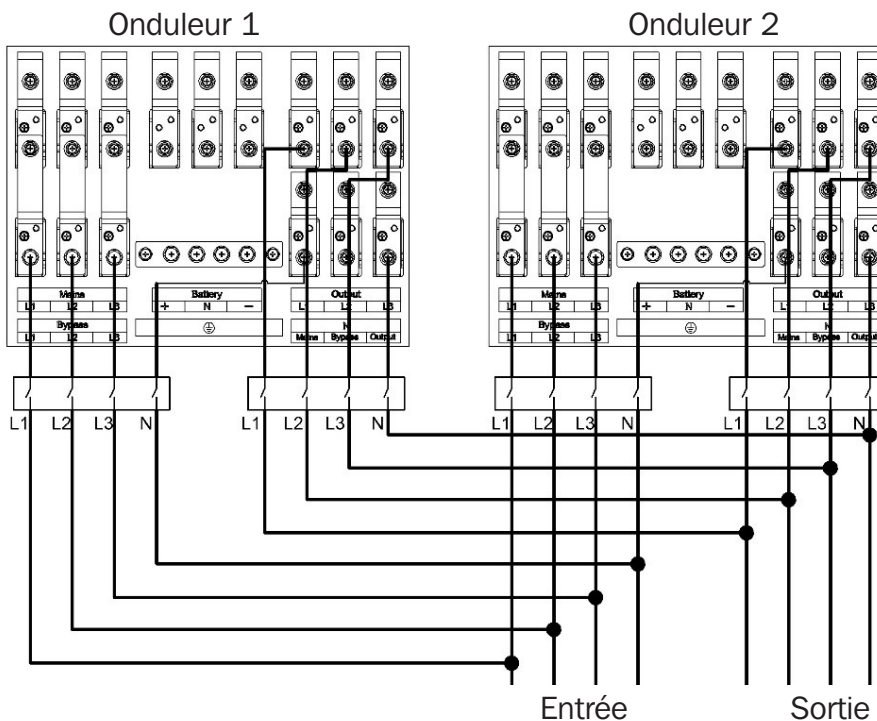
Modèles S3M50K et S3M60K



Remarque : L'écran ACL indique L1 comme étant (A), L2 comme étant (B) et L3 comme étant (C).

3. Installation et câblage

Modèles S3M80K et S3M100K



Remarque : L'écran ACL indique L1 comme étant (A), L2 comme étant (B) et L3 comme étant (C).

S'assurer que chaque disjoncteur d'entrée de l'onduleur se trouve en position « off » (désactivé) et qu'il n'y a aucune puissance provenant de chaque onduleur connecté. Les groupes de batteries peuvent être connectés séparément ou en parallèle, ce qui signifie que le système même fournit à la fois la batterie individuelle et la batterie commune.

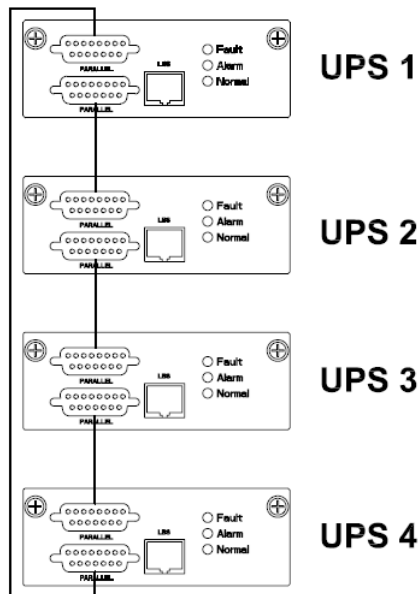
AVERTISSEMENT!

S'assurer que les lignes N, L1 (A), L2 (B), L3 (C) sont correctes et que la mise à la terre est bien connectée.



3.13.2 Installation de câbles en parallèle

Les câbles de contrôle blindés et à double isolation doivent être interconnectés dans une configuration en anneau entre les onduleurs comme illustré ci-dessous. La configuration en anneau permet d'assurer une haute fiabilité du contrôle. Utiliser uniquement les câbles en parallèle fournis par Tripp Lite.



Remarque : Consulter la section 4.3.6.2.2, étape 2 pour des informations sur la configuration des onduleurs en parallèle pour la capacité ou la redondance en utilisant l'affichage.

3. Installation et câblage

3.13.3 Mise en service du système en parallèle

Les systèmes en parallèle ne doivent être mis en service qu'une fois la configuration terminée pour les systèmes individuels.

L'exemple ci-dessous est pour la mise en service de quatre appareils en parallèle.

1. Confirmer que les connexions des câbles d'entrée/de sortie et la phase d'entrée sont correctes. Mettre le disjoncteur des batteries hors tension, puis mesurer pour s'assurer que les tensions +/- des batteries de tous les groupes de batteries sont normaux.
2. Connecter le câble en parallèle. Il devrait s'agir d'une connexion en forme de boucle.
3. Mettre sous tension le disjoncteur d'entrée de l'appareil 1, puis accéder à l'interface des réglages de l'affichage ACL pour configurer le mode de fonctionnement en parallèle, l'identifiant, le nombre pour le mode en parallèle et le nombre pour la redondance (consulter la section **4.3.6.2.2**). Configurer les réglages requis pour le numéro de série et la capacité des batteries. Le niveau de tension de sortie et la plage de protection de dérivation sont des réglages par défaut.
4. Mettre hors tension le disjoncteur d'entrée de l'appareil 1, puis s'assurer que l'onduleur est hors tension. Mettre sous tension le disjoncteur d'entrée de l'appareil 2. Accéder à l'interface des réglages de l'affichage ACL pour configurer le mode de fonctionnement en parallèle, l'identifiant, le nombre pour le mode en parallèle et le nombre pour la redondance. Les autres réglages sont les mêmes que pour le fonctionnement de l'onduleur 1.
5. Pour l'appareil 3 et l'appareil 4, les paramètres de fonctionnement sont les mêmes que pour les appareils 1 et 2.
6. Mettre sous tension les disjoncteurs de dérivation/d'entrée/de sortie sur tous les onduleurs en parallèle, puis confirmer que tous les réglages sont corrects. Chaque onduleur à un identifiant différent.
7. Mettre sous tension tous les disjoncteurs de batteries, puis confirmer que les paramètres (V/I) sont normaux.
8. Connecter la charge, puis vérifier pour s'assurer que les courants de sortie sont équilibrés.
9. Mettre le disjoncteur du secteur sous tension et hors tension pour tester les systèmes de convertisseur de tous les onduleurs depuis le secteur jusqu'à l'alimentation par batteries, puis s'assurer que les fonctions rétablies fonctionnent.

3.14 Installation de la LBS (synchronisation du bus de charge)

La fonction de LBS est de garder la sortie de deux onduleurs indépendants (un seul appareil ou plusieurs appareils) en synchronisation même lorsque les deux systèmes fonctionnent en mode différent (dérivation/inverseur) ou en mode batteries. Elle est habituellement utilisée avec un commutateur de transfert statique (STS) connecté à la charge critique pour atteindre la configuration Dual Bus (bus double).

LBS peut être divisée en fonctions trace et commutation. La fonction trace prend en charge la synchronisation de deux systèmes, tandis que la commutation surveille la commutation de la source de l'alimentation entre les deux systèmes. Lorsqu'un système se met hors tension ou que la sortie est anormale, le STS commutera à l'alimentation de l'autre système pour garantir le maintien de l'alimentation vers la charge.

En commun, la fonction de commutation est indépendante de l'onduleur. La logique de la trace est mise en évidence. Les deux onduleurs indépendants sont différents dans la logique des traces. Un système est le maître et l'autre est l'esclave. La logique est définie ci-dessous.

Matériel : Connecter le câble LBS dans les interfaces RJ45 des deux onduleurs d'extrémité de chaque groupe. Le système complet est illustré ci-dessous.

3.14.1 Réglage de l'affichage ACL

Configurer chaque onduleur du système comme étant LBS maître ou LBS esclave. Par exemple, si l'onduleur appartient au système LBS maître, son réglage LBS doit être configuré à Master (maître).

- Si les deux systèmes alimentent le côté de l'inverseur, l'esclave tracera le maître;
- Si le maître fournit de l'alimentation par dérivation et que l'esclave fournit de l'alimentation du côté de l'inverseur, l'esclave tracera le maître;
- Si le maître fournit de l'alimentation du côté de l'inverseur et que l'esclave fournit de l'alimentation par dérivation, le maître tracera l'esclave;
- Si les deux systèmes fournissent de l'alimentation par dérivation, il n'y a aucune trace entre les deux systèmes.

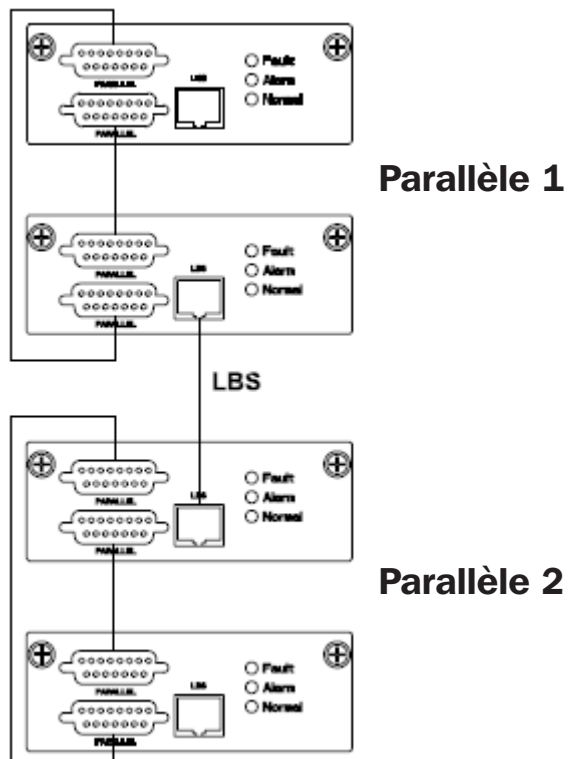
Remarque : La source de la trace doit se situer dans la plage de la trace, sinon, il n'y aura aucune trace. Si l'inverseur ne sort pas vers l'onduleur, il ne peut pas être affecté par le signal LBS.

3. Installation et câblage

3.14.2 Installations des câbles LBS

Les deux connecteurs d'un câble à mailles doivent être branchés dans l'interface RJ45 de l'un des onduleurs du système maître et du système esclave. Consulter le schéma suivant.

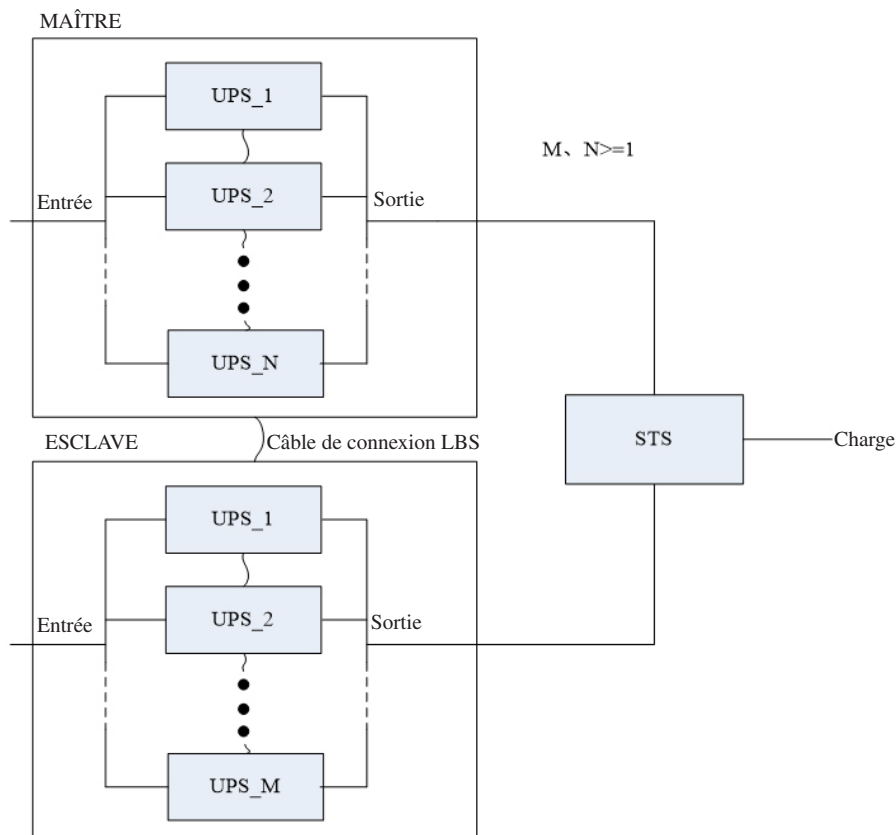
Remarque : La connexion d'onduleurs en parallèle est indépendante de la connexion d'onduleurs en mode LBS. LBS ne signifie pas connecter en parallèle.



3. Installation et câblage

3.14.3 Installation de l'onduleur

Le système complet est illustré ci-dessous.



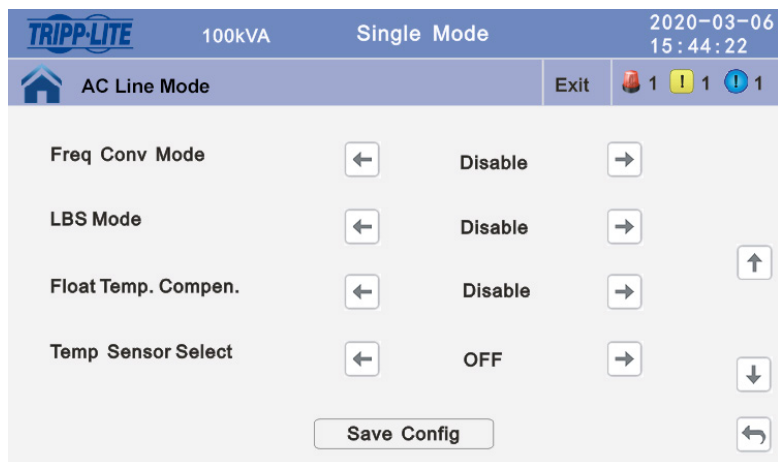
3.14.4 Réglages LBS

Désactiver l'inverseur, puis mettre l'affichage ACL de l'onduleur sous tension.

Homepage Setting >> Advanced Setting >> Password "191210" >> Configuration du système (Réglages de la page d'accueil >> Réglages avancés >> Mot de passe « 191210 » >> Configuration des batteries)

Mode LBS : valeur du réglage : LBS Disable, LBS Master, LBS Slave (LBS désactivé, LBS maître, LBS esclave). Le réglage par défaut est LBS Disable (LBS désactivé).

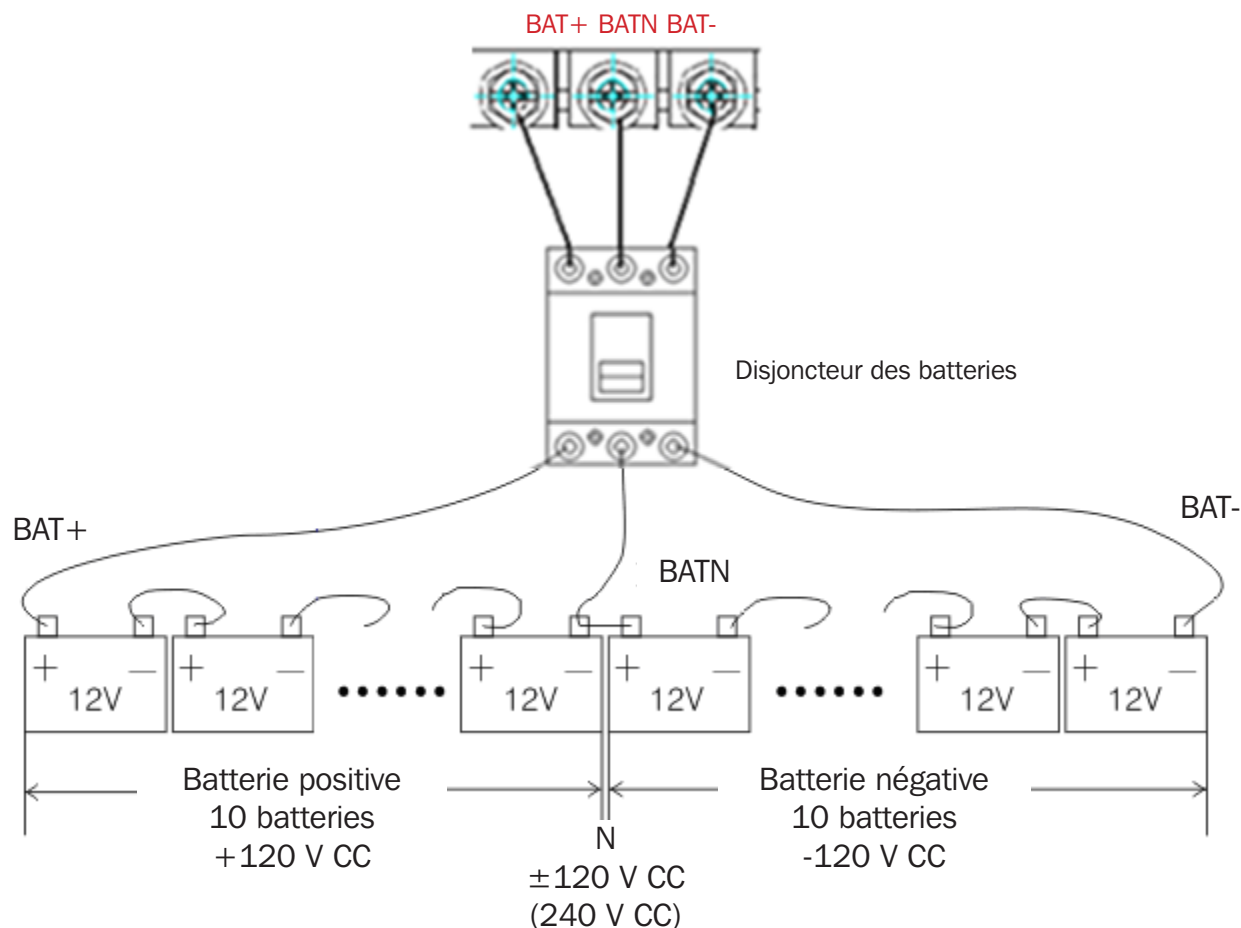
- Système d'onduleurs LBS simple – configurer un onduleur à LBS Mode LBS Master; configurer un onduleur à LBS Mode, LBS Slave.
- Onduleurs en parallèle – configurer un onduleur en parallèle à LBS Mode LBS Master; configurer un onduleur en parallèle à LBS Mode, LBS Slave.



3. Installation et câblage

3.15 Connexions des batteries externes

L'onduleur a un cadre de batteries doubles positives et négatives, avec un total de 20 batteries en série. Un câble neutre est extrait du joint entre la cathode de la dixième batterie et l'anode de la dixième batterie. Puis le câble neutre, le positif de la batterie et le négatif de la batterie sont connectés respectivement à l'onduleur. Les ensembles de batteries entre l'anode de la batterie et le neutre sont appelés des batteries positives, et celles entre le neutre et la cathode sont appelées les batteries négatives. Consulter la section **3.9 Compatibilité du modèle de l'onduleur et de l'armoire de batterie.**



Remarques :

- Le **BAT+** des pôles de connexion de l'onduleur est connecté à l'anode de la batterie positive.
- Le **BAT-N** est connecté à la cathode de la batterie positive et à l'anode de la batterie négative.
- Le **BAT-** est connecté à la cathode de la batterie négative.



DANGER!

S'assurer que la polarité de la connexion en série de l'ensemble de batteries est correcte, c.-à-d. que les connexions inter-niveaux et inter-blocs sont des bornes (+) aux bornes (-). Ne pas combiner des batteries de différentes capacités ou de différentes marques. Ne pas combiner des batteries vieilles et neuves.



AVERTISSEMENT!

S'assurer que la polarité des connexions d'extrémité des ensembles vers le disjoncteur des batteries et du disjoncteur des batteries vers les bornes de l'onduleur est correcte, c.-à-d. (+) à (+)/(-) à (-) / (N) à (N), mais déconnecter un ou plusieurs liens des éléments de batteries dans chaque niveau. Ne pas reconnecter ces liens et ne pas fermer le disjoncteur des batteries à moins d'avoir obtenu l'autorisation du technicien de la mise en service.

3. Installation et câblage

Connexions de plusieurs modules de batteries



DANGER!

S'assurer que la polarité de la connexion en série de l'ensemble de batteries est correcte. **NE PAS** combiner des batteries de différentes capacités ou de différentes marques, ou des batteries vieilles et neuves.



AVERTISSEMENT!

S'assurer que la polarité des connexions d'extrémité des ensembles vers le disjoncteur des batteries et du disjoncteur des batteries vers les bornes de l'onduleur est correcte, c.-à-d. (+) à (+)/(-) à (-)/(N) à (N)). Débrancher un ou plusieurs liens des éléments de batteries dans chaque niveau. Ne pas reconnecter ces liens et ne pas fermer le disjoncteur des batteries à moins que toutes les connexions aient été correctement vérifiées et approuvées.

Remarque : Consulter la section 4.3.6.2.4 pour des informations sur la configuration de la capacité Ah de la batterie, le nombre de batteries et le nombre d'armoires de batteries.

4. Fonctionnement

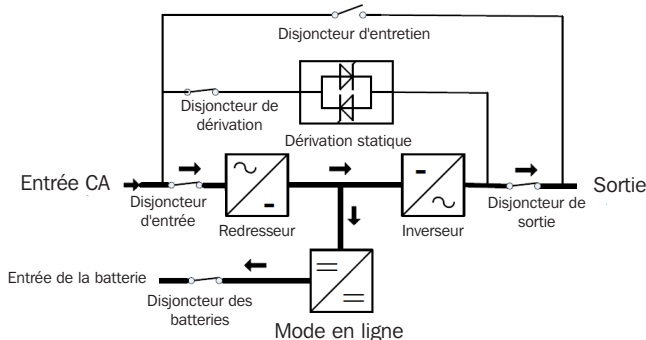
4.1 Modes de fonctionnement

L'onduleur est un onduleur en ligne double conversion qui peut fonctionner dans les modes alternatifs suivants :

4.1.1 Mode en ligne CA

Le redresseur/chargeur dérive l'alimentation du secteur CA et fournit de l'alimentation CC à l'inverseur tout en fournissant simultanément une charge d'entretien et une charge rapide à la batterie. L'inverseur convertit ensuite la puissance CC en puissance CA, et fournit la charge.

ENTRÉE SIMPLE : entrée du secteur



ENTRÉE DOUBLE : entrée du secteur et entrée de dérivation

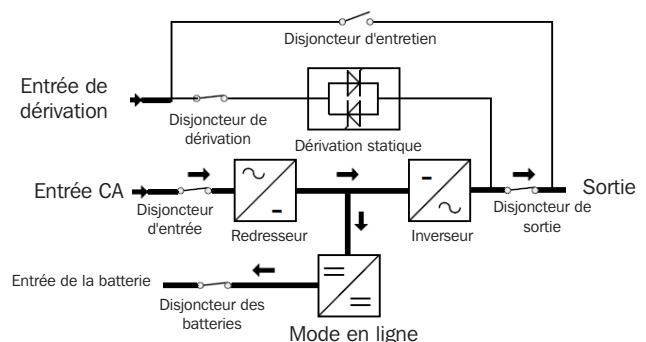
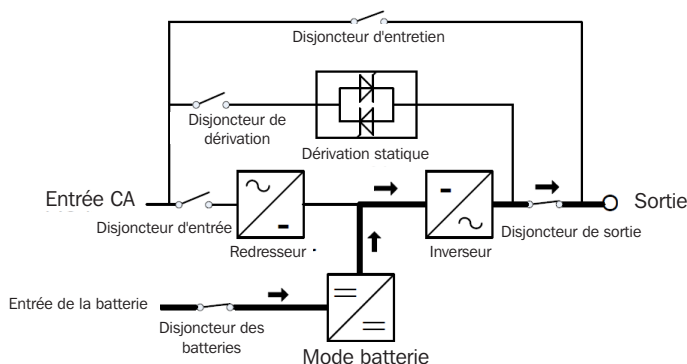


Figure 4-1 : Mode en ligne CA

4.1.2 Mode batterie (mode énergie emmagasinée)

Si l'alimentation d'entrée CA du secteur tombe en panne, l'inverseur, qui est alimenté par les batteries, fournit la charge critique CA. Il n'y a aucune interruption du courant vers la charge critique. L'onduleur retournera automatiquement en mode normal lorsque l'alimentation CA sera rétablie.

ENTRÉE SIMPLE : entrée du secteur



ENTRÉE DOUBLE : entrée du secteur et entrée de dérivation

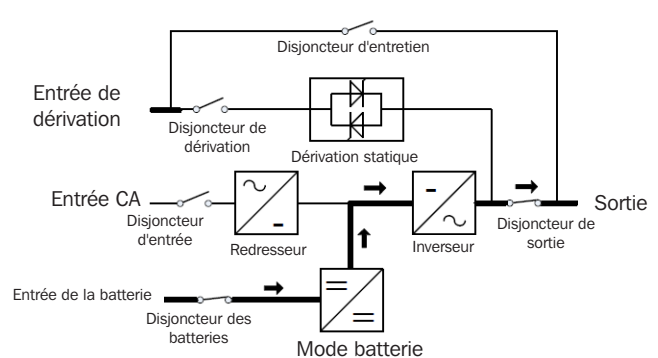


Figure 4-2 : Mode batterie

4. Fonctionnement

4.1.3 Mode de dérivation

Si l'inverseur est en panne, ou s'il se produit une surcharge, le commutateur de transfert statique s'activera pour transférer la charge de l'alimentation de l'inverseur à l'alimentation de dérivation sans interruption vers la charge critique. Si la sortie de l'inverseur n'est pas synchronisée avec la source de dérivation CA, le commutateur statique effectuera un transfert de la charge de l'inverseur vers la dérivation avec une coupure de courant vers la charge critique CA. Cela permet d'éviter la mise en parallèle de sources CA non synchronisées. Cette interruption est programmable, mais est normalement configurée pour être inférieure à un cycle électrique, p. ex. inférieure à 15 ms (50 Hz) ou inférieure à 13,33 ms (60 Hz).

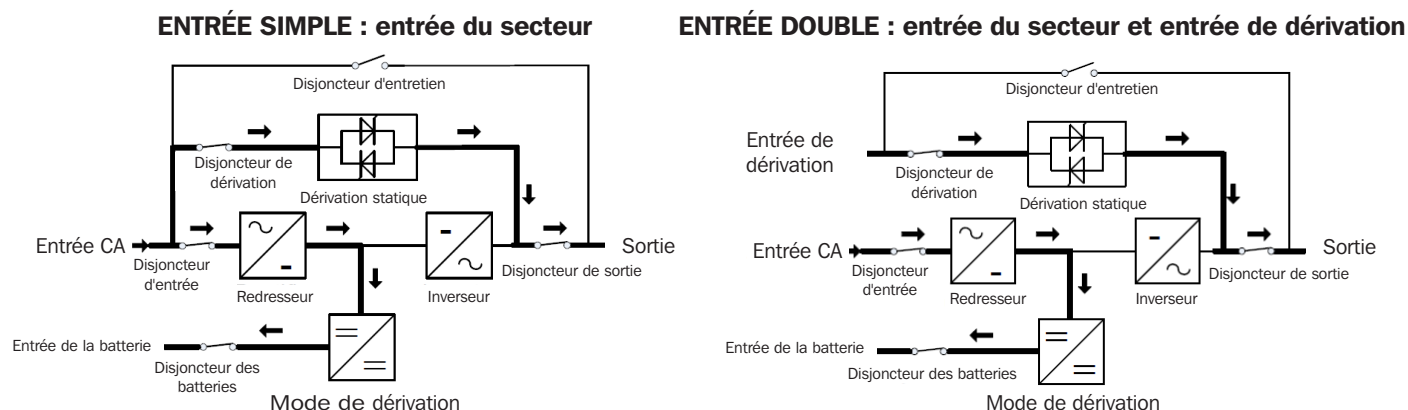


Figure 4-3 : Mode de dérivation

4.1.4 Mode ECO

Lorsque l'onduleur se trouve en mode CA et que la demande vers la charge n'est pas critique, l'onduleur peut être configuré en mode ECO pour accroître l'efficacité de l'alimentation fournie. En mode ECO, l'onduleur fonctionne en mode interactif en ligne, de sorte que l'onduleur passera à l'alimentation de dérivation. Lorsque l'alimentation CA se situe à l'extérieur de la plage de configuration, l'onduleur passera de la dérivation à l'inverseur et fournira de l'alimentation de la batterie, puis l'affichage ACL affichera toutes les informations connexes sur l'écran. L'onduleur passera par défaut en mode ECO après la mise sous tension.

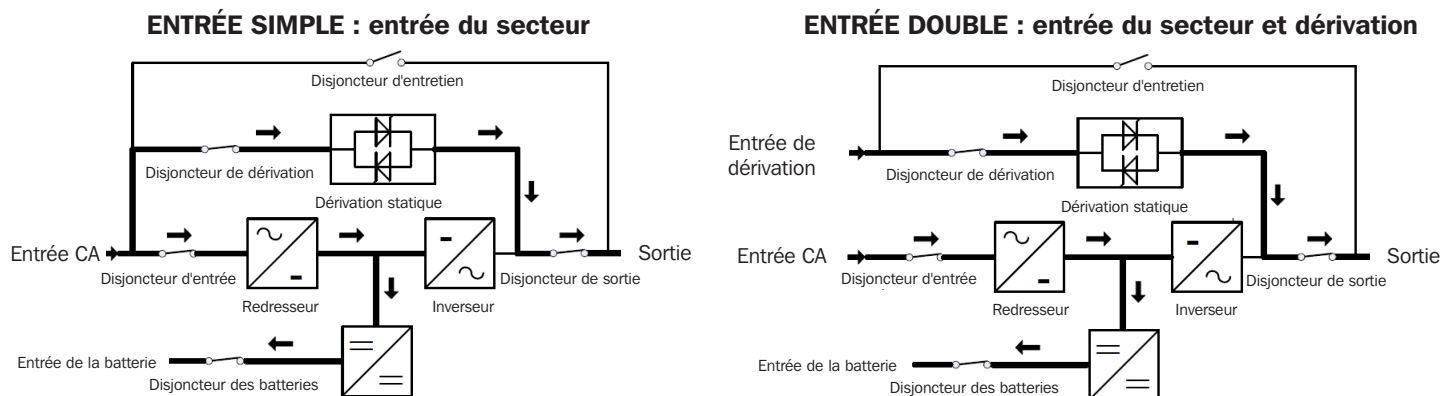


Figure 4-4 : Mode ECO

4. Fonctionnement

4.1.5 Mode d'entretien (dérivation manuelle)

Un commutateur de dérivation manuelle est disponible pour assurer la continuité de l'alimentation vers la charge critique lorsque l'onduleur est en panne ou en réparation, et ce commutateur de dérivation manuelle prend en charge la charge nominale équivalente.

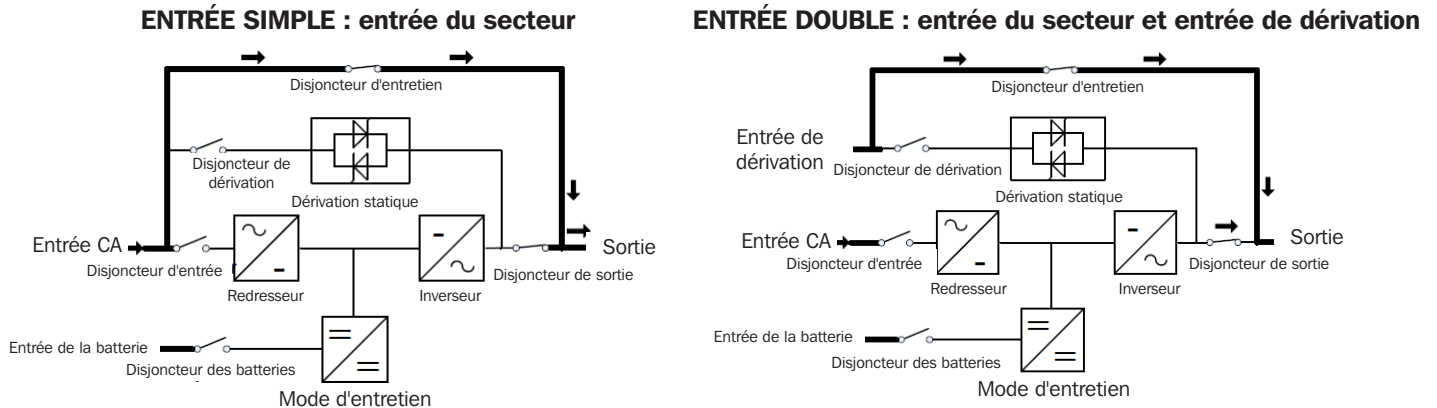


Figure 4-5 : Mode d'entretien

4.2 Mise sous/hors tension de l'onduleur

4.2.1 Démarrage de base

Après avoir terminé la procédure suivante, l'onduleur supportera la charge en mode en ligne ou en mode ECO (s'ils sont activés).

1. Confirmer que la batterie est connectée. Mettre tout disjoncteur de l'armoire de batteries externe sous tension (ON) (le cas échéant).
2. Mettre le disjoncteur de dérivation sous tension.
3. Mettre sous tension le disjoncteur d'entrée principal.
4. Mettre sous tension le disjoncteur de sortie.
5. L'inverseur effectuera un démarrage lent jusqu'à ce que la tension nominale soit atteinte. L'onduleur passera en mode en ligne ou en mode ECO (s'il est activé) dans un délai de une ou deux minutes.
6. Confirmer l'absence de toute alarme active.

4.2.2 Mise hors tension de l'onduleur

Après avoir terminé la procédure suivante, l'onduleur sera mis hors tension et la charge ne sera pas prise en charge.

1. Pendant que l'onduleur se trouve en mode en ligne ou en mode ECO, désactiver l'inverseur en utilisant le menu à d'affichage (Home > Common > INV ON/OFF > INV OFF). L'onduleur passera en mode de dérivation. Confirmer que le voyant à DEL de dérivation est allumé et que l'écran ACL affiche Bypass Mode (mode de dérivation) avant de continuer.
2. Mettre le disjoncteur de sortie hors tension. Cela entraînera la perte de la charge.
3. Mettre le disjoncteur d'entrée principal hors tension.
4. Mettre le disjoncteur de dérivation hors tension. L'onduleur se mettra hors tension peu de temps après.
5. Mettre le disjoncteur des batteries hors tension (OFF) depuis l'armoire de batteries externes (le cas échéant).

4. Fonctionnement

4.2.3 Démarrage à froid

Une fois la procédure suivante effectuée, l'onduleur prendra en charge la charge depuis l'alimentation par batterie.

1. Confirmer que la batterie est connectée. Mettre tout disjoncteur de l'armoire de batteries externe sous tension (ON) (le cas échéant).
2. Mettre sous tension le disjoncteur de sortie.
3. Appuyer sur le bouton de démarrage à froid (Cold Start) qui se trouve à l'arrière des modèles d'onduleur de 25 kVA à 60 kVA et à l'avant des modèles de 80 kVA à 100 kVA. L'inverseur effectuera un démarrage lent jusqu'à ce que la tension nominale soit atteinte. Une fois terminé, l'onduleur passera en mode batterie et prendra en charge la charge.
4. Une fois l'alimentation du secteur restaurée et stabilisée, mettre le disjoncteur de dérivation et le disjoncteur d'entrée principal sous tension. L'onduleur passera en mode en ligne ou en mode ECO (s'il est activé).
5. Confirmer l'absence de toute alarme active.

4.2.4 Passer en mode de dérivation pour l'entretien

Une fois la procédure suivante terminée, l'onduleur se mettra hors tension. Toutefois, le bloc de jonction de sortie continuera d'être alimenté.

1. Retirer le couvercle du disjoncteur de dérivation pour l'entretien à l'arrière de l'onduleur en enlevant les deux (2) vis de montage. L'onduleur passera automatiquement en mode de dérivation. Confirmer que le voyant à DEL de dérivation est allumé et que l'écran ACL affiche Maintenance Mode (mode d'entretien) avant de continuer.
2. Mettre le disjoncteur de dérivation pour l'entretien sous tension.
3. Mettre le disjoncteur de sortie hors tension.
4. Mettre le disjoncteur d'entrée principal hors tension.
5. Mettre le disjoncteur de dérivation hors tension. L'onduleur se mettra hors tension peu de temps après.
6. Mettre le disjoncteur des batteries hors tension (OFF) depuis l'armoire de batteries externes (le cas échéant). La charge est maintenant alimentée par la dérivation pour l'entretien.

4.2.5 Passer du mode de dérivation pour l'entretien au mode en ligne CA ou ECO

L'onduleur retournera en mode en ligne ou en mode ECO (s'il est activé) une fois la procédure suivante terminée.

1. Confirmer que la batterie est connectée. Mettre tout disjoncteur de l'armoire de batteries externe sous tension (ON) (le cas échéant).
2. Mettre le disjoncteur de dérivation sous tension.
3. Mettre sous tension le disjoncteur d'entrée principal.
4. Mettre sous tension le disjoncteur de sortie.
5. L'onduleur passera en mode de dérivation peu de temps après l'initialisation. Confirmer que l'appareil est passé en mode de dérivation et que le voyant à DEL de dérivation est allumé avant de continuer.
6. Mettre le disjoncteur de dérivation pour l'entretien hors tension.
7. Rattacher la plaque du couvercle du disjoncteur de dérivation pour l'entretien à l'onduleur en utilisant les vis fournies.
8. L'onduleur passera en mode en ligne ou en mode ECO dans un délai de une ou deux minutes. L'inverseur effectuera un démarrage lent jusqu'à ce que la tension nominale soit atteinte. Une fois terminé, l'onduleur passera en mode en ligne ou en mode ECO (s'il est activé).
9. Confirmer l'absence de toute alarme active.

4. Fonctionnement

4.3 Alarmes, voyants à DEL et affichage ACL

4.3.1 Vue d'ensemble des alarmes audibles et des voyants à DEL

Modes de l'onduleur	Alarmes sonores		Voyants à DEL de l'affichage			
	État de l'alarme	Mutable On/Off (marche/arrêt modifiable)	Alarme	Batterie	Dérivation	Inverseur
Initialisation de l'onduleur	Émet un bip, 1x	Non	Clignote/0,5 sec.	Clignote/0,5 sec.	Clignote/0,5 sec.	Clignote/0,5 sec.
Mode en ligne de l'onduleur (normal)	Aucun bip	Aucun bip	Off (hors tension)	Off (hors tension)	Off (hors tension)	Allumé
Mode batterie de l'onduleur	Émet un bip/2 sec.	Oui	Off (hors tension)	Off (hors tension)	On (sous tension)	Off (hors tension)
Mode test de la batterie de l'onduleur	Aucun bip	Aucun bip	Off (hors tension)	Off (hors tension)	On (sous tension)	Off (hors tension)
Mode ECO de l'onduleur	Aucun bip	Aucun bip	Off (hors tension)	On (sous tension)	Off (hors tension)	Off (hors tension)
Mode Attente de l'onduleur	Aucun bip	Aucun bip	Off (hors tension)	Off (hors tension)	Off (hors tension)	Off (hors tension)
Mode de dérivation statique de l'onduleur	Aucun bip	Aucun bip	Off (hors tension)	On (sous tension)	Off (hors tension)	Off (hors tension)
Mode de dérivation d'entretien de l'onduleur	Aucun bip	Aucun bip	Off (hors tension)	On (sous tension)	Off (hors tension)	Off (hors tension)
Mode convertisseur de fréquence de l'onduleur	Aucun bip	Aucun bip	Off (hors tension)	Off (hors tension)	Off (hors tension)	Allumé
Surcharge de la charge de l'onduleur	Émet un bip/1 sec.	Oui	Off (hors tension)	Off (hors tension)	Off (hors tension)	Clignote/2 sec.
Avertissements concernant l'onduleur	Émet un bip/2 sec. ou émet un bip/1 sec.	Oui	Clignote/2 sec.	Clignote/2 sec.	Off (hors tension)	Allumé
Anomalies de l'onduleur	Émet un bip/2 sec. ou émet un bip/1 sec.	Oui	Allumé	On (sous tension)	Off (hors tension)	Off (hors tension)

4.3.2 Introduction au panneau de contrôle ACL

L'affichage ACL intégré est doté d'un grand nombre de fonctions et d'utilisation intuitive. Ce qui suit couvre les fonctions principales accessibles par le biais de l'affichage.

Remarque : La plupart des réglages peuvent être changés lorsque l'onduleur se trouve en mode inverseur.

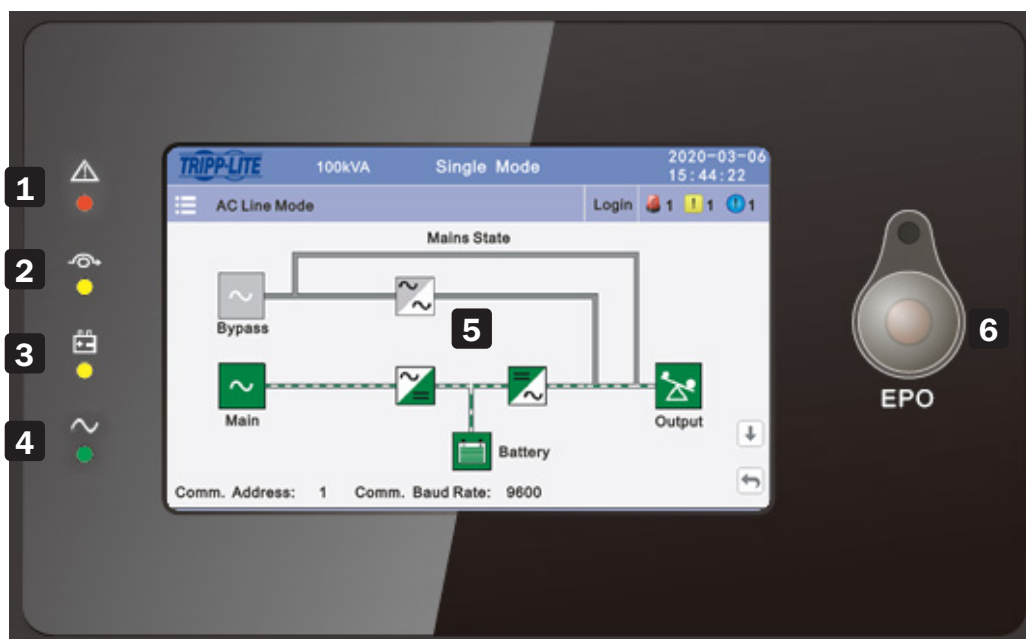


Figure 4-6 : Vue d'ensemble du panneau de commande de l'onduleur.

- 1** Voyant à DEL de l'alarme
- 2** Voyant à DEL de dérivation
- 3** Voyant à DEL de la batterie

- 4** Voyant à DEL de l'inverseur
- 5** Écran ACL tactile, 127 mm (5 po)
- 6** Bouton EPO (arrêt d'urgence) (le bouton doit être enfoncé pendant au moins 3 secondes pour activer l'arrêt d'urgence (EPO))

4. Fonctionnement

4.3.3 Page principale : affichage par défaut

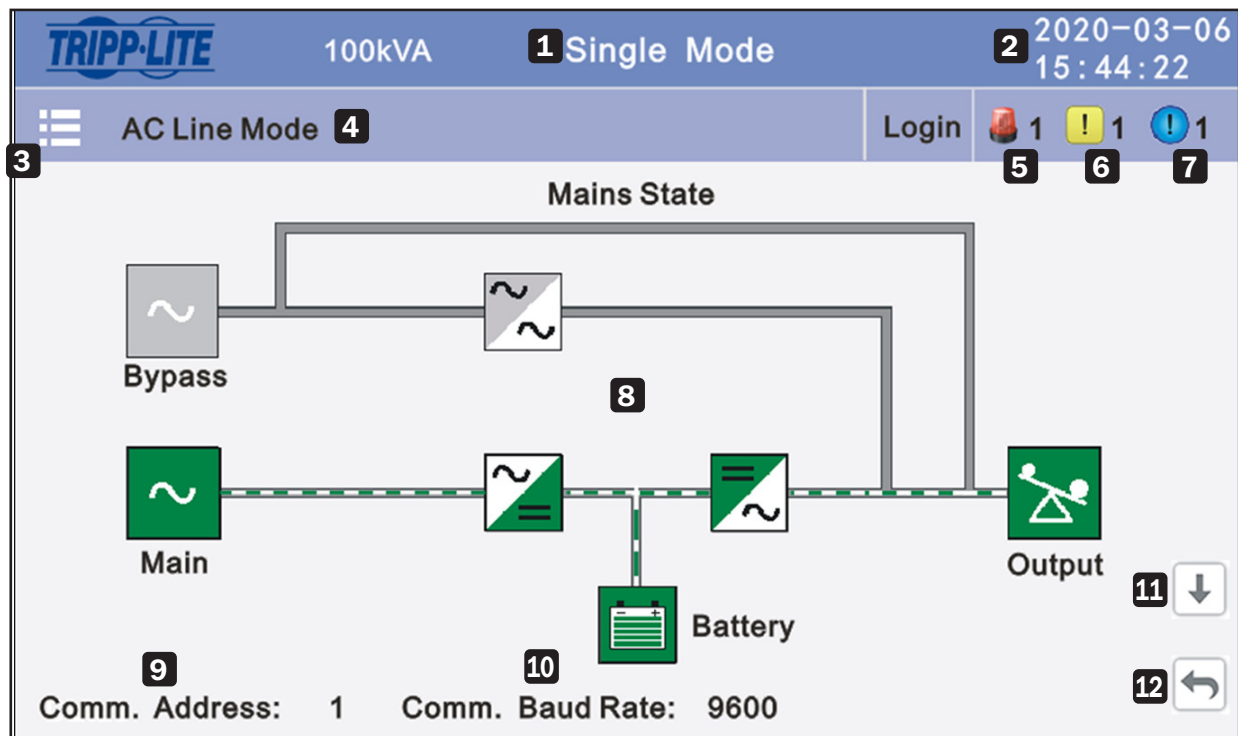


Figure 4-7A : Page principale de l'affichage ACL

- 1** Mode simple = onduleur simple (non connecté en parallèle)
- 2** Date/heure
- 3** Menu
- 4** État opérationnel
- 5** Défaillance
- 6** Alarme
- 7** Événement
- 8** Page des données
- 9** Adresse des communications
- 10** Débit en bauds des communications
- 11** Touche Page suivante - appuyer pour accéder à la page principale 2 de l'écran ACL (Figure 4-7B)
- 12** Arrière

TRIPP-LITE 100kVA Single Mode		2020-03-06 15:44:22	
AC Line Mode		Login 1 1 1	
Input Voltage(V) A 120.0V B 120.0V C 120.0V	Online Battery 100% 999M Float charging	Output Freq(Hz) 60.0Hz	
Input current(A) A 1.0A B 1.0A C 1.0A	Apparent Power(kVA): 00.0 00.0 00.0 Actv Power(kW): 00.0 00.0 00.0 Load Rate(%): 0% 0% 0%	Output Voltage(V) A 120.0V B 120.0V C 120.0V	
		Output current(A) A 1.0A B 1.0A C 1.0A	

Figure 4-7B : Page principale 2 de l'écran ACL. (Appuyer sur l'icône Page arrière pour revenir à la page principale illustrée à la Figure 4-7A.)

4. Fonctionnement

4.3.4 Écran d'état

Cliquer sur l'icône **Status** (état) pour accéder à la fenêtre d'affichage de l'état, afficher la tension et le courant principal, de dérivation, de sortie et de la batterie (ou l'entrée par le biais du bloc de données en temps réel), afficher l'état du commutateur et afficher l'état du contact sec. Cliquer sur l'icône pour accéder à la fenêtre de données correspondante.

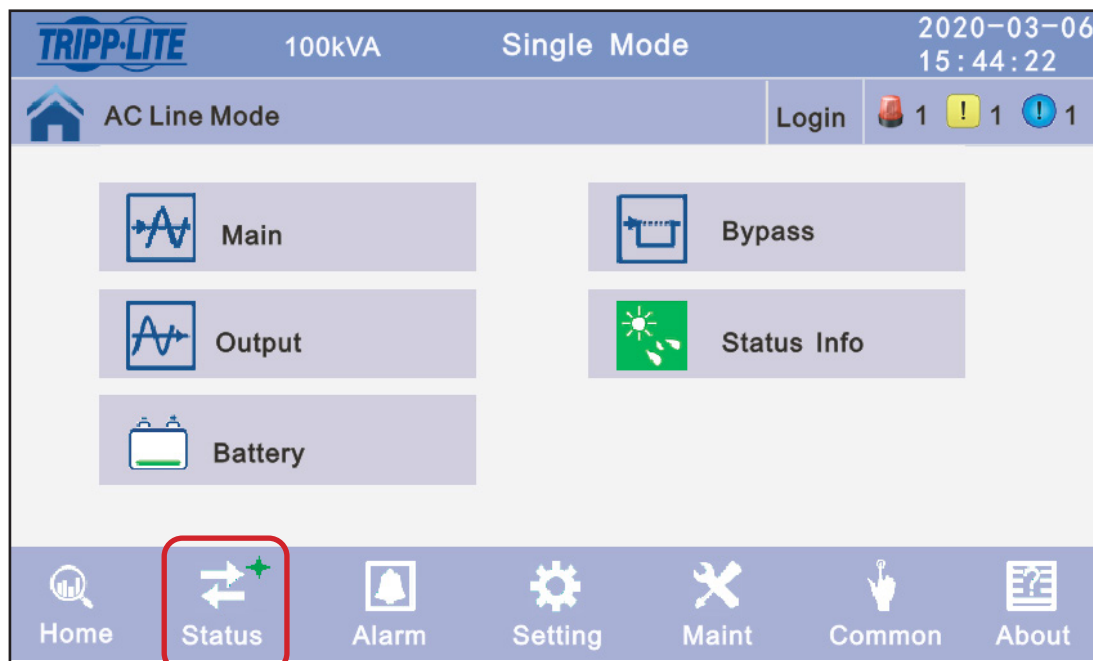


Figure 4-8 : Écran d'état

1. Cliquer sur l'icône **Main** (principal) pour accéder à la fenêtre principale d'affichage des données. Cliquer sur l'icône Retour pour revenir à la fenêtre précédente. Cliquer sur l'icône de la page d'accueil pour passer directement à la page principale.

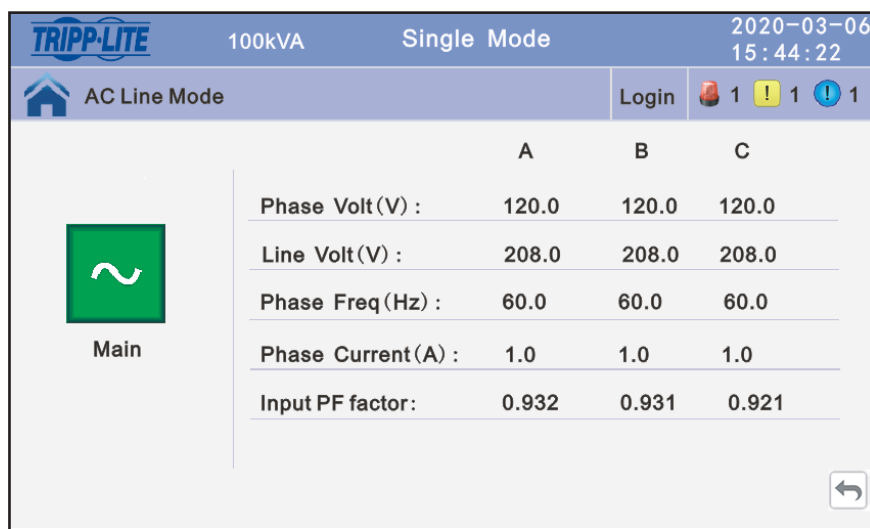


Figure 4-9 : Fenêtre principale d'affichage des données

4. Fonctionnement

2. Cliquer sur l'icône **Bypass** (dérivation) pour accéder à la fenêtre d'affichage des données de dérivation. Cliquer sur l'icône **Back** (retour) pour revenir à la fenêtre précédente. Cliquer sur l'icône **Home Page** (page d'accueil) pour passer directement à la page principale.

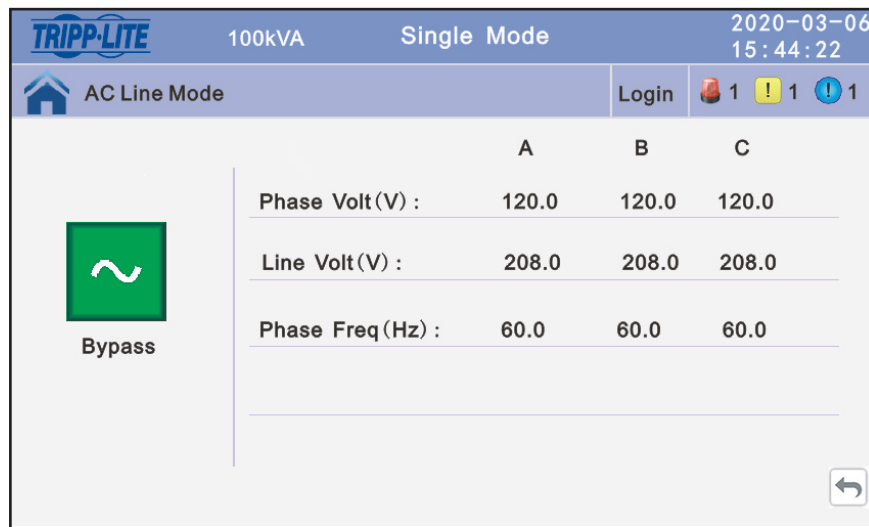


Figure 4-10 : Fenêtre d'affichage des données de dérivation

3. Cliquer sur l'icône **Output** (sortie) pour accéder à la fenêtre d'affichage des données de la sortie. Cliquer sur l'icône **Back** (retour) pour revenir à la fenêtre précédente. Cliquer sur l'icône **Home Page** (page d'accueil) pour passer directement à la page principale.

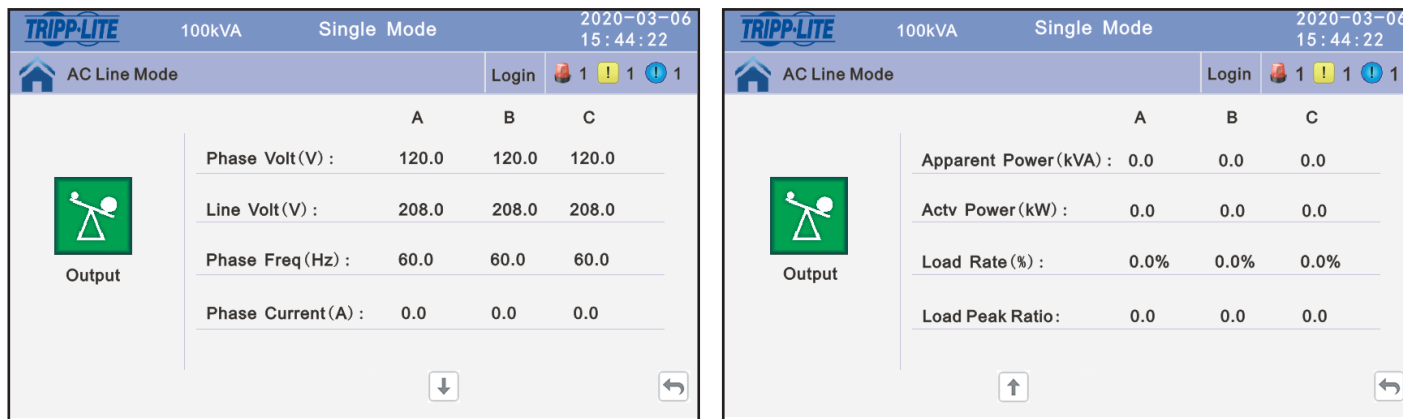


Figure 4-11 : Fenêtre d'affichage des données de la sortie

4. Fonctionnement

4. Cliquer sur l'icône **Status Info** (informations sur l'état) pour accéder à la fenêtre d'affichage de l'état. Cliquer sur l'icône **Back** (retour) pour revenir à la fenêtre précédente. Cliquer sur l'icône **Home Page** (page d'accueil) pour passer directement à la page principale.

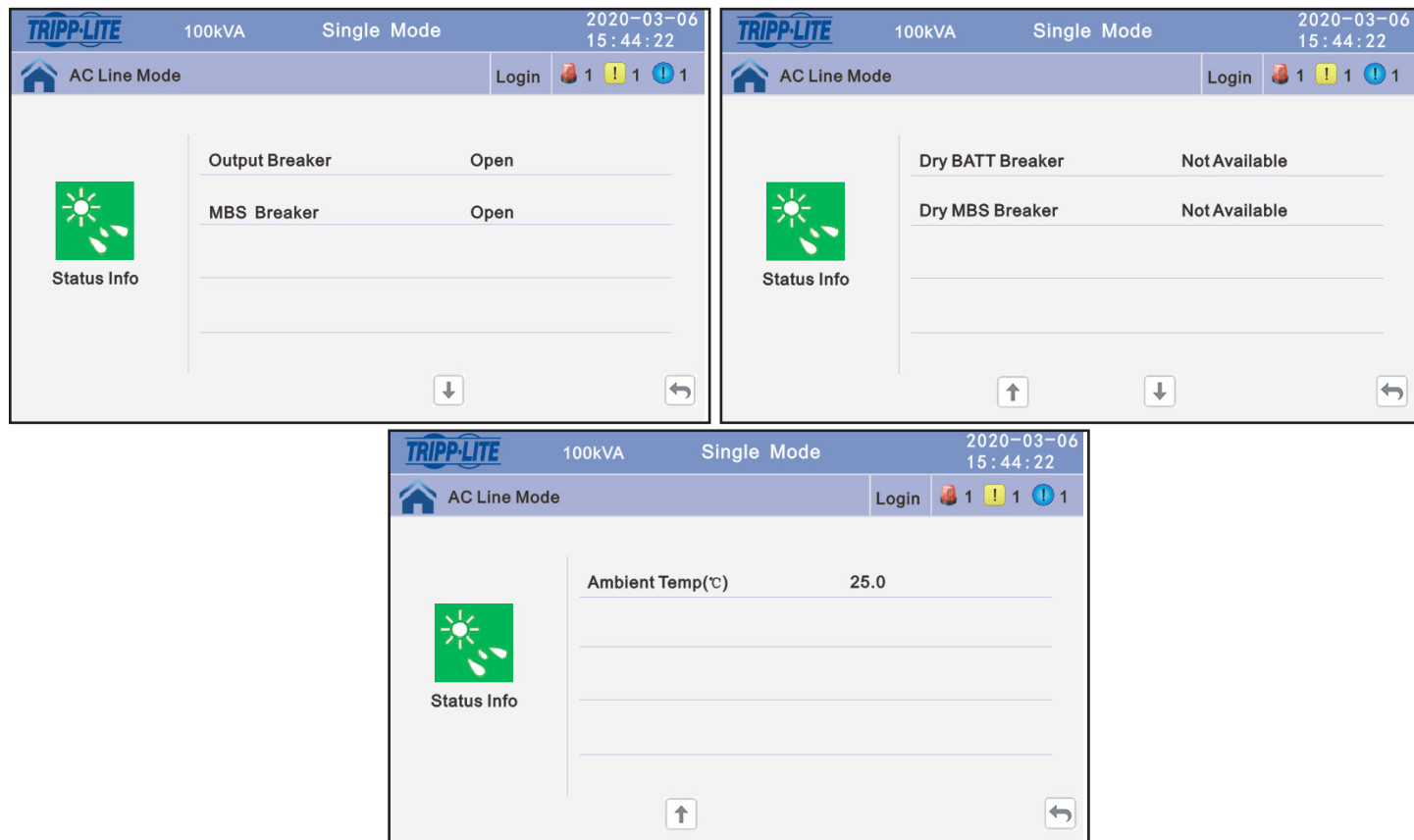


Figure 4-12 : Fenêtre d'affichage de l'état

5. Cliquer sur l'icône **Battery** (batterie) pour accéder à la fenêtre d'affichage des données des batteries. Cliquer sur l'icône **Back** (retour) pour revenir à la fenêtre précédente. Cliquer sur l'icône **Home Page** (page d'accueil) pour passer directement à la page principale.

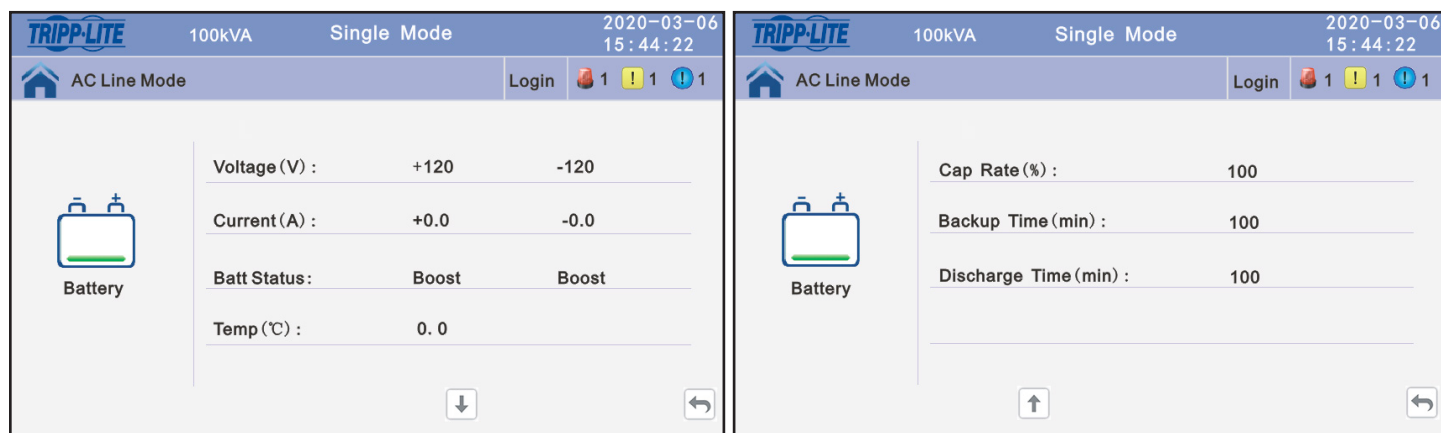


Figure 4-13 : Fenêtre d'affichage des données des batteries

4. Fonctionnement

4.3.5 Interface de l'alarme

Cliquer sur l'icône **Alarm** (alarme) pour accéder à l'interface de l'alarme, afficher les alarmes de l'onduleur et l'historique des alarmes, et activer ou désactiver le vibreur.

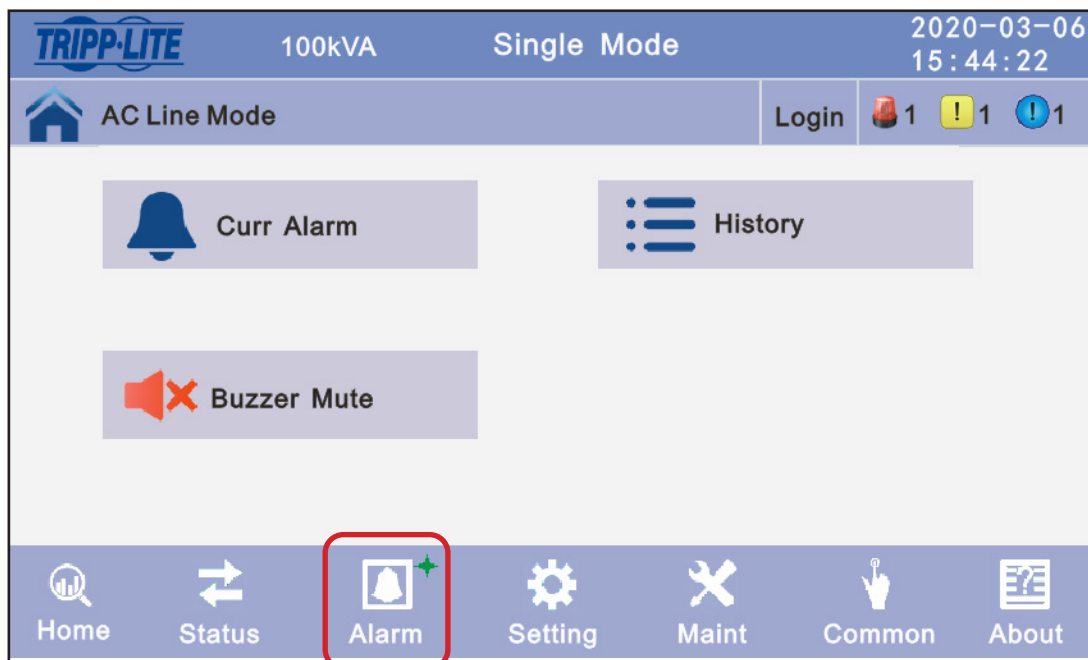


Figure 4-14 : Interface de l'alarme

1. Cliquer sur l'icône **Current Alarm** (alarme actuelle) pour accéder à la fenêtre d'affichage de l'alarme actuelle. Cliquer sur l'icône **Back** (retour) pour revenir à la fenêtre précédente. Cliquer sur l'icône **Home Page** (page d'accueil) pour passer directement à la page principale.

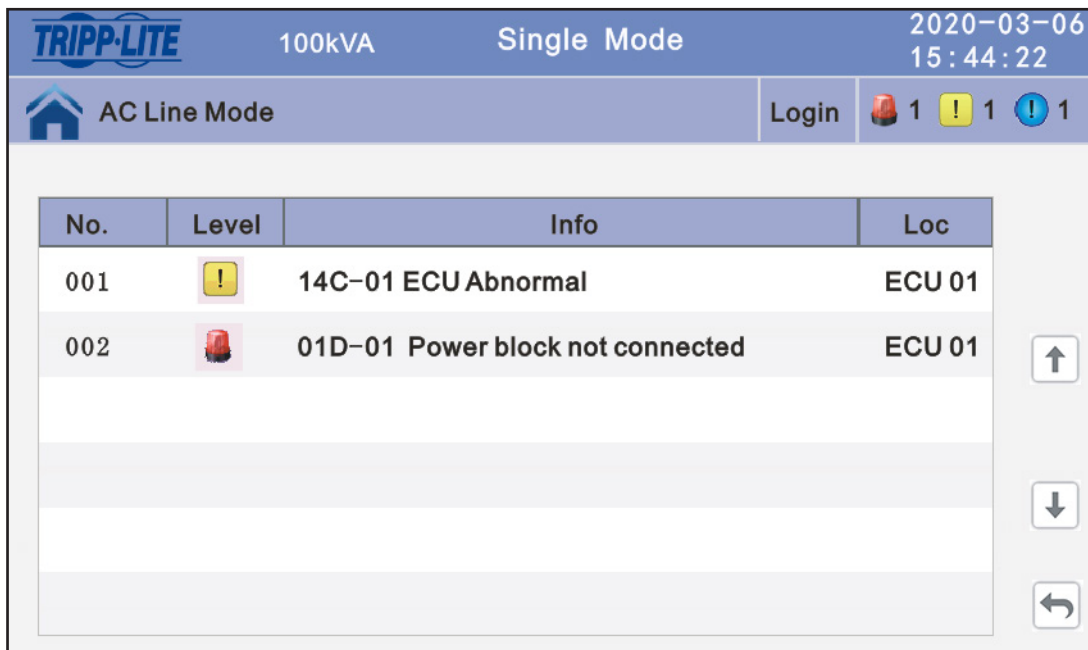


Figure 4-15 : Fenêtre d'affichage de l'alarme actuelle

4. Fonctionnement

2. Cliquer sur l'icône **History** (historique) pour accéder à la fenêtre d'affichage de l'historique. Faire défiler vers le haut et vers le bas pour voir toutes les alarmes récentes. Cliquer sur l'icône **Back** (retour) pour revenir à la fenêtre précédente. Cliquer sur l'icône **Home Page** (page d'accueil) pour passer directement à la page principale.

No.	Level	Info	Loc	Time
0001	!	On Line	System	2020-03-06 15:43:00
0002	!	Rectifier Activated	System	2020-03-06 15:43:00

Figure 4-16 : Fenêtre d'affichage de l'historique

3. Cliquer sur l'icône **Buzzer Mute** (mise en sourdine du vibreur) pour mettre le vibreur en sourdine. L'icône rouge passera au vert. Pour activer le vibreur, cliquer sur l'icône **Buzzer Open** (activer le vibreur). L'icône vert passera au rouge.

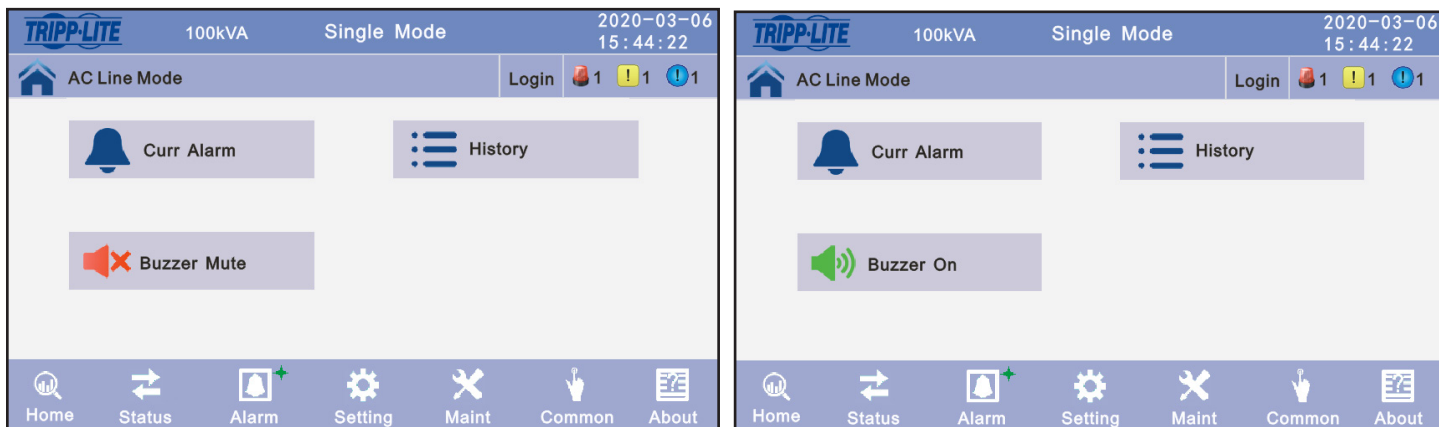


Figure 4-17 : Vibreur en sourdine/vibreur activé

4. Fonctionnement

4.3.6 Écran des réglages

Il y a deux niveaux : Basic Setting (réglages de base) pour les utilisateurs et Advanced Setting (réglages avancés) pour les administrateurs/gestionnaires.

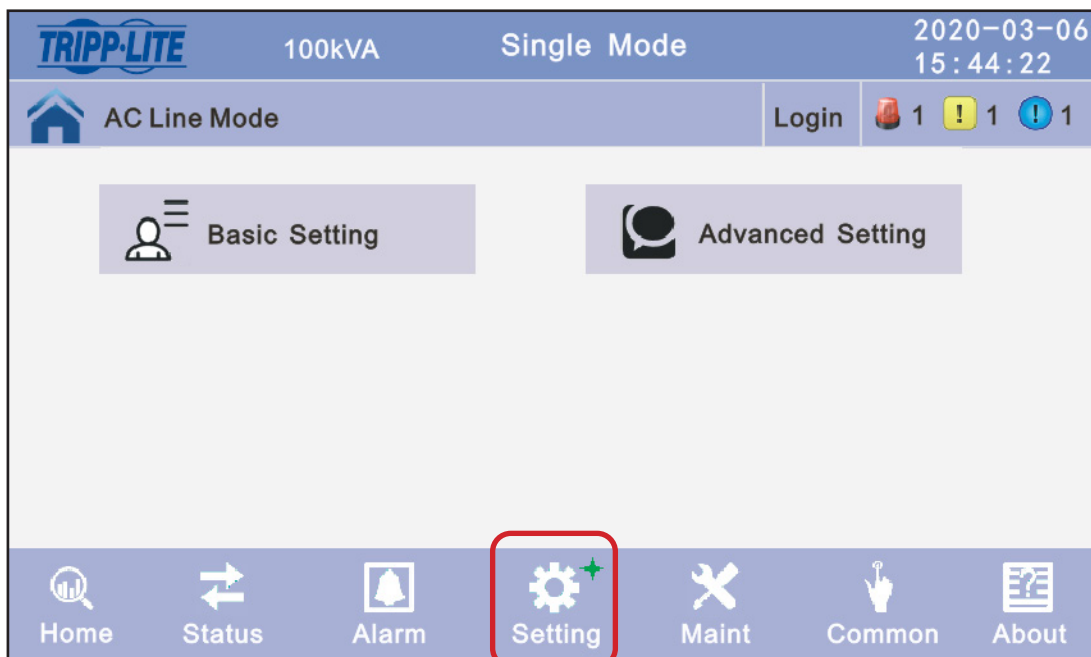


Figure 4-18 : Écran des réglages

4.3.6.1 Écran des réglages de base

Cliquer sur l'icône **Basic Setting** (réglages de base), puis saisir le mot de passe. Le mot de passe par défaut de l'utilisateur est **111111**.

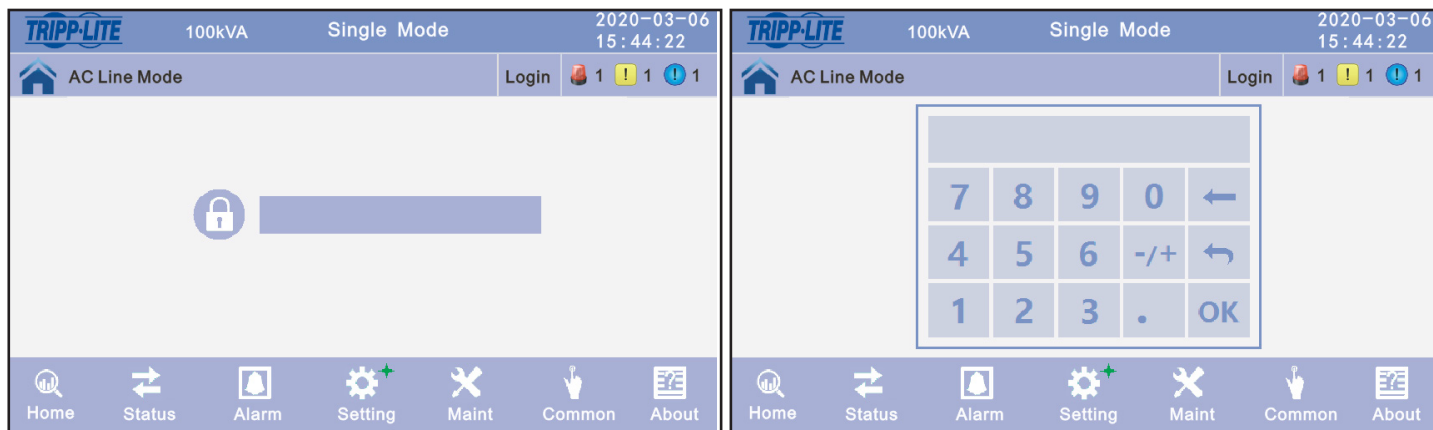


Figure 4-19 : Saisir le mot de passe pour accéder aux réglages de base

4. Fonctionnement

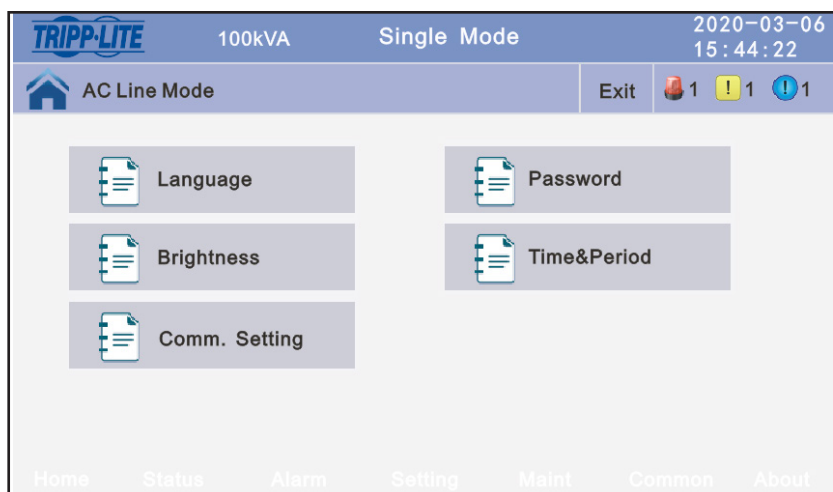


Figure 4-20 : Interface des réglages de base

1. Cliquer sur l'icône **Language** (langue) pour accéder à l'interface des réglages de la langue. Cliquer sur **Save Config** (sauvegarder la configuration) pour sauvegarder le réglage. Cliquer sur l'icône **Back** (retour) pour revenir à la fenêtre précédente. Cliquer sur l'icône **Home Page** (page d'accueil) pour passer directement à la page principale.

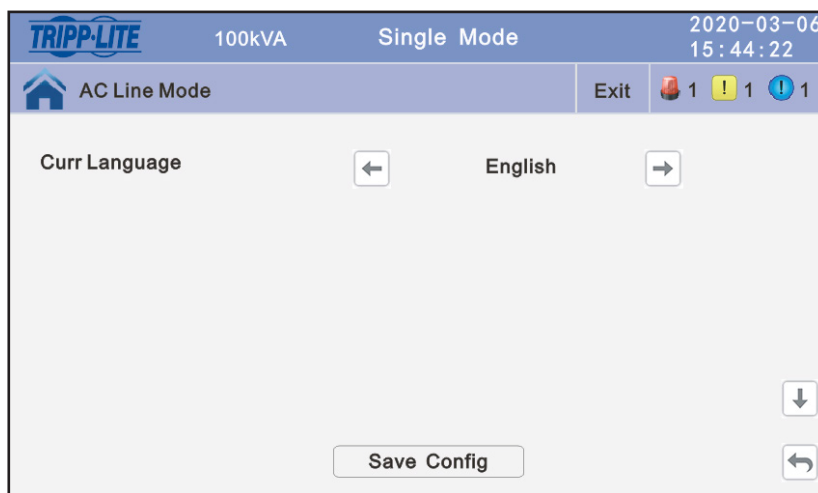


Figure 4-21 : Réglages de la langue

4. Fonctionnement

2. Cliquer sur l'icône **Password** (mot de passe) pour accéder à l'interface des réglages du mot de passe. Saisir l'ancien mot de passe, saisir le nouveau mot de passe, puis saisir de nouveau le nouveau mot de passe. Le format du mot de passe est six chiffres. Cliquer sur **Save Config** (sauvegarder la configuration) pour confirmer le changement.

Le réglage Password Lock Time détermine combien de temps (en minutes) l'affichage ACL peut rester intouché avant que l'utilisateur doive se connecter de nouveau. Cliquer sur la flèche de gauche ou de droite pour changer la valeur.

Cliquer sur l'icône **Back** (retour) pour revenir à la fenêtre précédente. Cliquer sur l'icône **Home Page** (page d'accueil) pour passer directement à la page principale.

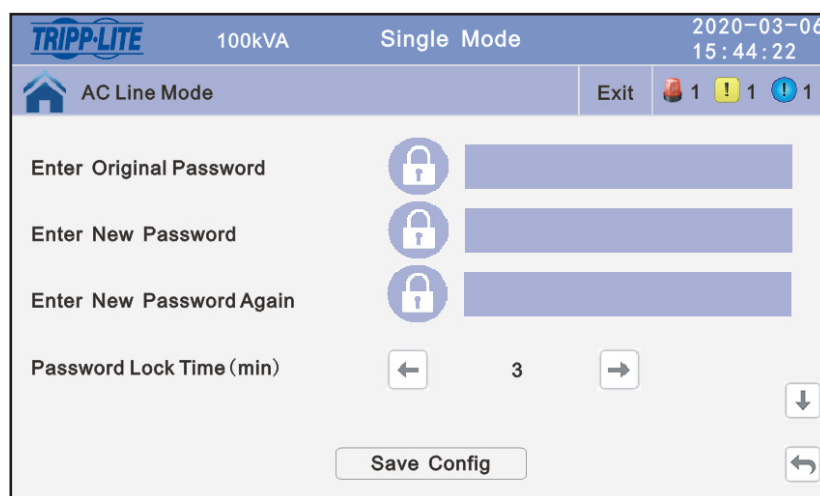


Figure 4-22 : Mise à jour de l'interface du mot de passe

3. Cliquer sur l'icône **Brightness** (luminosité) pour ajuster la luminosité et la temporisation du rétroéclairage.

Brightness : cliquer sur le texte pour saisir une nouvelle valeur. La plage des valeurs est de 1 à 63. La valeur par défaut est 63.

Backlight Time : cliquer sur le texte pour changer la temporisation du rétroéclairage de l'affichage ACL. La plage des valeurs est de 1 à 255. Le paramètre par défaut est 60.

Cliquer sur l'icône **Back** (retour) pour revenir à la fenêtre précédente. Cliquer sur l'icône **Home Page** (page d'accueil) pour passer directement à la page principale.

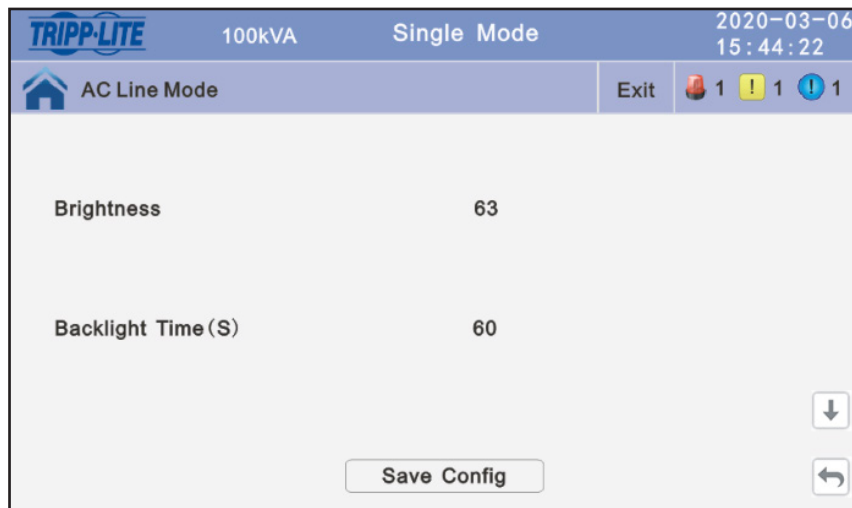


Figure 4-23 : Réglages de la luminosité et de la temporisation du rétroéclairage

4. Fonctionnement

4. Cliquer sur l'icône **Time & Period** (heure et période) pour changer la date et l'heure actuelles. Cliquer sur le texte pour saisir une nouvelle valeur. Cliquer sur **Save Config** (sauvegarder la configuration) pour confirmer le changement.

Cliquer sur l'icône **Back** (retour) pour revenir à la fenêtre précédente. Cliquer sur l'icône **Home Page** (page d'accueil) pour passer directement à la page principale.

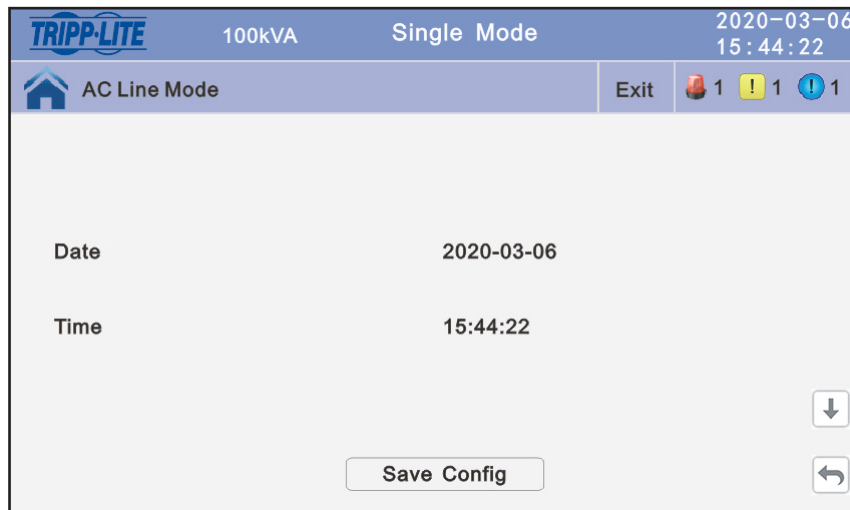


Figure 4-24 : Réglages de la date et de l'heure

5. Cliquer sur l'icône **Comm. Setting** pour mettre à jour les réglages de la communication de l'onduleur. Cliquer sur le texte pour sélectionner ou saisir une nouvelle valeur. Cliquer sur **Save Config** (sauvegarder la configuration) pour confirmer le changement.

Comm. Address : identifiant de communication de l'onduleur. La plage de l'adresse est 1 à 15. La valeur par défaut est 1.

Comm. Baud Rate : les réglages du débit en bauds disponibles sont 2 400, 4 800, 9 600, 14 400 et 19 200. La valeur par défaut est 9 600.

Cliquer sur l'icône **Back** (retour) pour revenir à la fenêtre précédente. Cliquer sur l'icône **Home Page** (page d'accueil) pour passer directement à la page principale.



Figure 4-25 : Réglages de la communication

4. Fonctionnement

4.3.6.2 Écran des réglages avancés

Cliquer sur l'icône **Advanced Setting** (réglages avancés), puis saisir le mot de passe. Le mot de passe de l'utilisateur est 191210.

Remarque : Les opérations avancées sont prévues pour être réalisées uniquement par des techniciens de Tripp Lite certifiés.

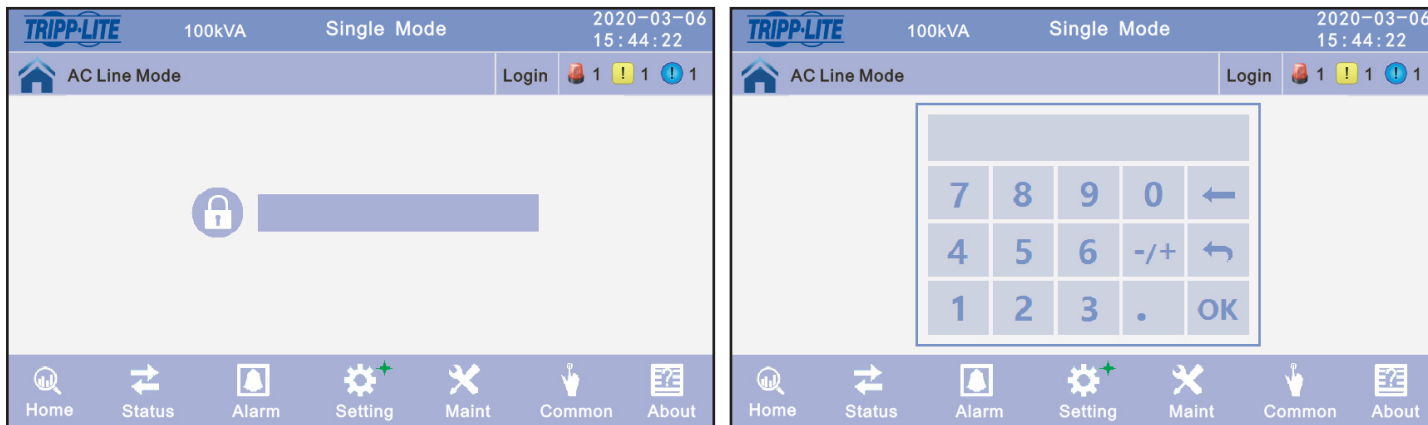


Figure 4-26 : Saisir le mot de passe pour l'accès aux réglages avancés

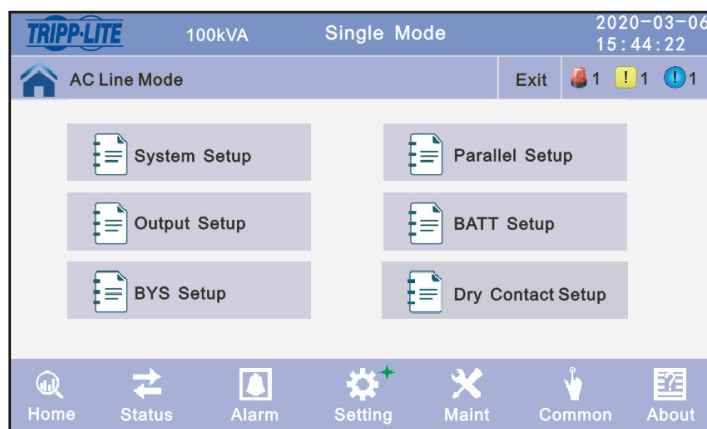


Figure 4-27 : Interface des réglages avancés

4. Fonctionnement

4.3.6.2.1 Configuration du système

Cliquer sur l'icône **System Setup** (configuration du système). Sélectionner la configuration à changer/sauvegarder. Cliquer sur l'icône **Back** (retour) pour revenir à la fenêtre précédente ou cliquer sur l'icône **Home Page** (page d'accueil) pour passer directement à la page principale.

Configurations de la configuration avancée du système

Working Mode : sélectionner le mode de fonctionnement de l'onduleur, mode de fonctionnement : mode simple, mode en parallèle, mode ECO, mode ECO+machine parallèle. Valeur par défaut : mode ECO.

Auto Turn-On : sélectionner la logique de démarrage de l'onduleur. Enable : l'onduleur démarre automatiquement la sortie de l'inverseur. Disable : aucune sortie.

Remarque : Si l'utilisateur souhaite que l'onduleur redémarre automatiquement après que les batteries aient atteint un seuil de sectionnement bas et la mise hors tension de l'onduleur, Auto Turn-on (mise sous tension automatique) DOIT être configuré en position Enable (activé).

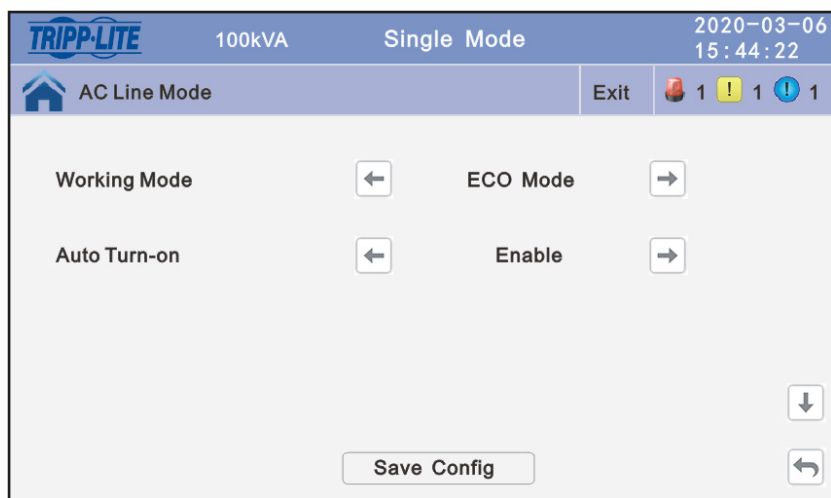


Figure 4-28A : Configuration avancée du système

Freq Conv Mode : mode de conversion de la fréquence. Enable : la fréquence de sortie est 50 Hz ou 60 Hz, la fréquence d'entrée est 60 Hz ou 50 Hz, aucune alarme, aucune anomalie au niveau des batteries et de la dérivation. Default : désactivé.

Mode LBS : valeur du réglage : LBS Disable, LBS Master, LBS Slave (LBS désactivé, LBS maître, LBS esclave). Default : LBS disable (LBS désactivé)

Float Temp. Compen : commutateur de compensation de la sonde de température. Pour connecter une sonde de température pour batterie, changer la valeur à activé.

Temp Sensor Select : sélection du type de sonde de température. Il y a deux choix : NTC et RS485. Utiliser NTC pour les distances uniques et courtes. Utiliser RS485 pour les distances multiples et grandes.

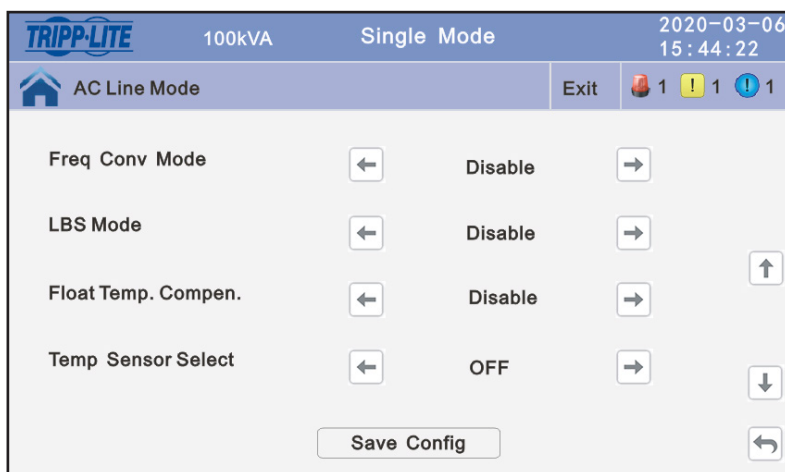


Figure 4-28B : Configuration avancée du système

4. Fonctionnement

Inter Power Walk in(s) : lorsque les onduleurs se trouvent en mode parallèle, ce réglage permet à l'onduleur de contrôler l'intervalle de temps que chaque onduleur prend pour passer du mode batterie au mode normal, réduisant l'impact sur la génératrice ou le réseau électrique. La plage des valeurs est de 1 à 200. La valeur par défaut est 10.

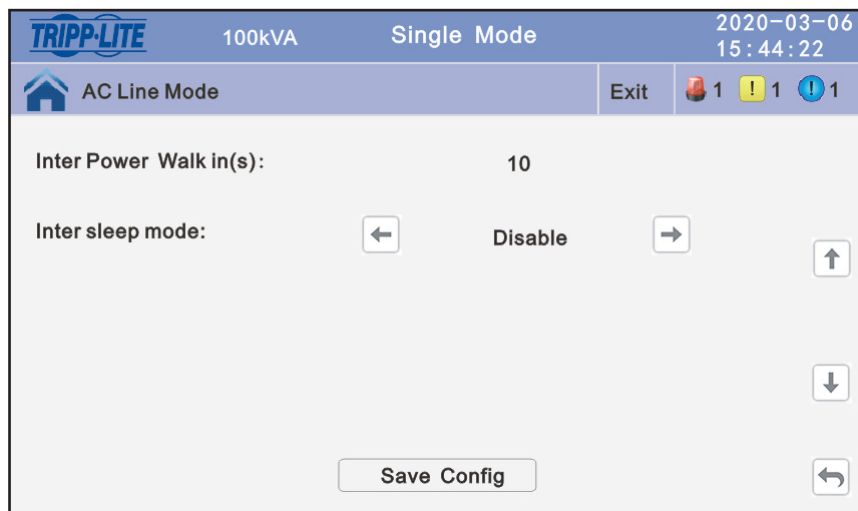


Figure 4-28C : Configuration avancée du système

4.3.6.2.2 Réglages en parallèle

Parallel ID : le réglage Parallel ID doit être modifié après avoir réglé le mode de fonctionnement en mode en parallèle. La plage des valeurs est de 1 à 6. La valeur par défaut est 1.

Parallel for Capacity Units : le nombre d'armoires en parallèle doit être modifié pour le nombre total d'armoires en parallèle après avoir réglé le mode de fonctionnement en mode en parallèle. La plage des valeurs est de 2 à 6. La valeur par défaut est 2.

Parallel Redundancy Units : le nombre d'armoires de redondance en parallèle peut être modifié après avoir réglé le mode de fonctionnement en mode en parallèle. La plage des valeurs est 0 à 5. La valeur par défaut est 0.

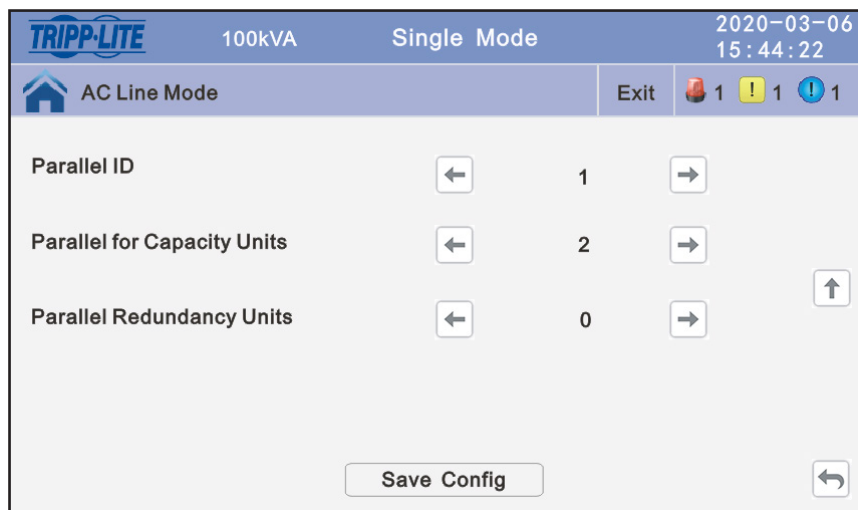


Figure 4-29 : Réglages du mode en parallèle

4. Fonctionnement

4.3.6.2.3 Réglages de la sortie

Output Freq (Hz) : fréquence de sortie. La valeur peut être 50 Hz ou 60 Hz.

Output Volt Level (V) : niveau de tension de la sortie. La valeur peut être 120 ou 127.

Inverter Volt Adjust (%) : tension de l'inverseur réglée. La valeur peut être -5 % - 0 - + 5 %, par incréments de 0,5 %. La valeur par défaut est 0.

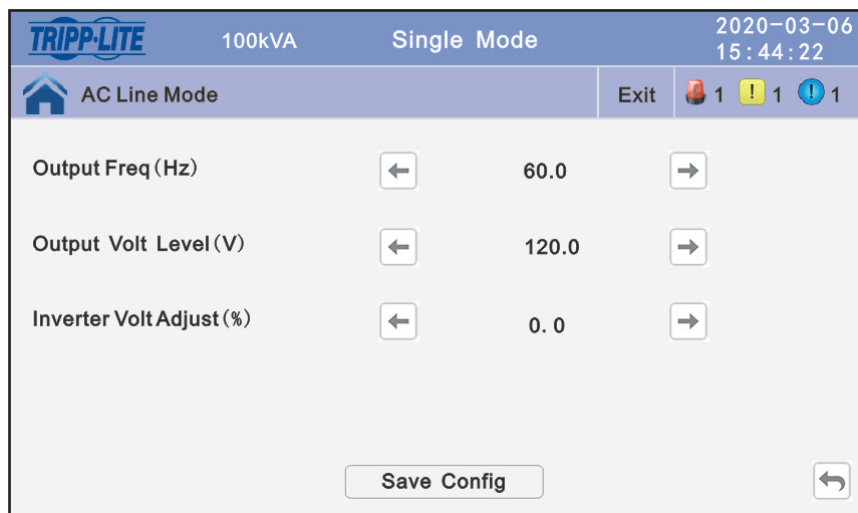


Figure 4-30 : Réglages de la sortie

4. Fonctionnement

4.3.6.2.4 Réglages des batteries

Remarque : La configuration de l'onduleur pour l'armoire de batteries dépend de quel modèle d'onduleur S3M et de quel modèle d'armoire de batteries sont connectés ensemble. Consulter le manuel de l'armoire de batteries de la série S3M pour des instructions spécifiques sur la configuration de l'onduleur.

Battery Group : le groupe de batteries doit être configuré à quantité 1 pour chaque ensemble de 20 batteries qui se trouve dans l'onduleur et/ou l'armoire de batteries connecté à l'onduleur. Par exemple, le modèle d'onduleur S3M100K n'a aucune batterie interne. Toutefois, pour connecter une armoire de batteries BP240V100L (40 batteries internes) à l'onduleur S3M100K, le S3M100K doit être configuré à Battery Group 2 (groupe de batteries 2), et si une deuxième armoire de batteries BP240V100L est connectée à l'onduleur S3M100K, mettre à jour le groupe de batteries à 4. La plage des valeurs est de 1 à 8. La valeur par défaut est 1.

Battery Number : la valeur par défaut est 20. Le nombre de batterie doit rester à 20 pour tous les modèles d'onduleur S3M10-100K, qu'ils soient utilisés avec ou sans armoires de batteries externes conçues pour la gamme d'onduleurs de la série S3M.

Single Battery (Ah) Capability: permet de modifier la valeur de la capacité Ah actuelle pour une batterie. La plage des valeurs est de 7 à 2 000.

Boost/Float Conversion (Month) : permet de configurer le temps de conversion de la charge d'augmentation et de la charge de maintien. La plage des valeurs est 0 à 24. La valeur par défaut est 0.

TRIPP-LITE		100kVA	Single Mode	2020-03-06 15:44:22
AC Line Mode		Exit		1 1 1
Battery Group	←	1	→	
Battery Number	←	20	→	
Single Battery Capability (AH)		100		
Boost/Float Conversion (Month)		0		↓
Save Config				↶

Figure 4-31A : Réglages des batteries

4. Fonctionnement

Chg. cur. limiting coef. (C) : la limite de l'intensité de charge est un multiple de la capacité des batteries. La plage des valeurs est 0,05 à 0,25. La valeur par défaut est 0,15. Consulter le manuel de l'utilisateur de l'armoire de batterie spécifique de Tripp Lite pour le coefficient (Coef.) recommandé en fonction du modèle d'onduleur S3M et du modèle de l'armoire de batteries Tripp Lite.

Cell float voltage (V/Cell) : la plage des valeurs de la tension d'annonciation est 2,20 à 2,29 V/élément. La valeur par défaut est 2,27 V/élément.

Cell boost voltage (V/Cell) : la plage des valeurs de la tension uniformisée des batteries est 2,30 à 2,40 V/élément. La valeur par défaut est 2,35 V/élément.

Aver Charging Duration (min) : permet d'améliorer la limite de temps de charge. La plage des valeurs est de 1 à 999 minutes. La valeur par défaut est 240. Consulter le manuel de l'utilisateur de l'armoire de batterie spécifique de Tripp Lite pour la Aver Charging Duration (min) recommandé en fonction du modèle d'onduleur S3M et du modèle de l'armoire de batteries Tripp Lite.

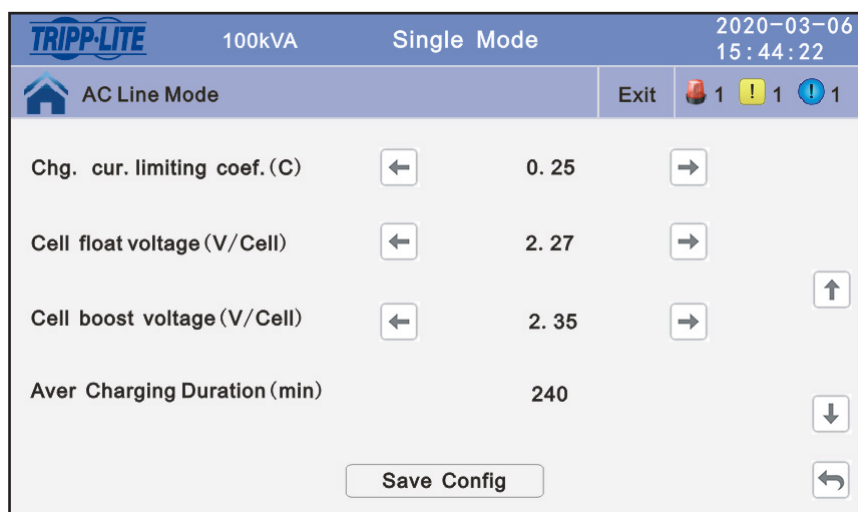


Figure 4-31B : Réglages des batteries

EOD Battery Volt (V/Cell) : tension de fin de décharge. La plage des valeurs est de 1,60 à 1,90. La valeur par défaut est 1,67.

Float Temp Compen Coef. (V/Cell/°C) : permet de modifier la tension de compensation après l'activation du commutateur. La plage des valeurs est 0,001 à 0,007/élément. La valeur par défaut est 0,003.

Boost Charge Setting : le réglage de la charge d'activation est désactiver ou activer. La valeur par défaut est « enable » (activer).

No Battery Warning : lorsque configuré à Disable (désactiver), le vibreur ne se fera pas entendre. Configurer à Enable (activer) pour des avertissements sonores des batteries. La valeur par défaut est « enable » (activer).

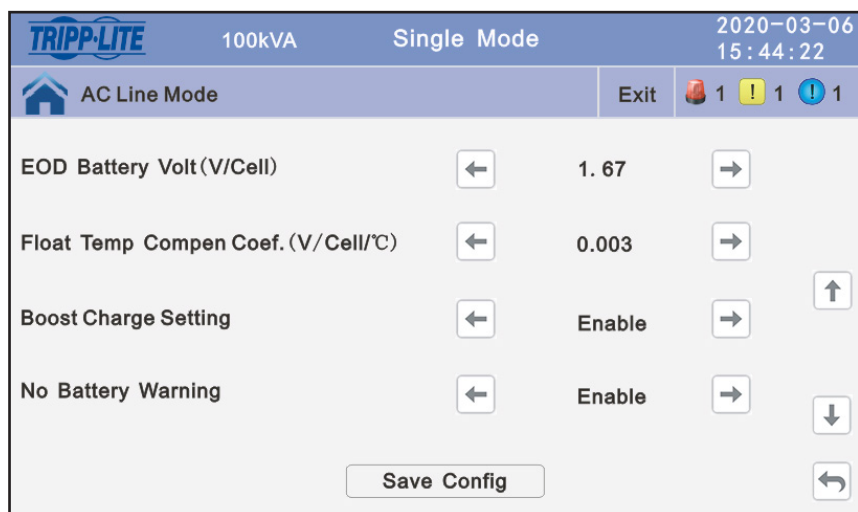


Figure 4-31C : Réglages des batteries

4. Fonctionnement

4.3.6.2.5 Réglages de la dérivation

Bypass Volt Prot Lower Limit (%) : lorsque la différence entre la tension de dérivation et la tension nominale excède le seuil inférieur pour la tension de dérivation, le système détermine que la tension de dérivation est anormale et que la dérivation est indisponible. La valeur peut être -10 %, -15 %, -20 %, -30 % ou -40 %. La valeur par défaut est -40 %.

Bypass Volt Prot Limit (%) : lorsque la différence entre la tension de dérivation et la tension nominale excède le seuil supérieur pour la tension de dérivation, le système détermine que la tension de dérivation n'est pas normale et que la dérivation est indisponible.

Remarques :

- Lorsque le niveau de tension est 120 V, la plage de valeurs est 10 %, 15 %, 20 % et 40 % (par défaut).
- Lorsque le niveau de tension est 127 V, la plage de valeurs est 10 %, 15 % et 20 % (par défaut).

Bypass Frequency Tracking Range (%) : lorsque la différence entre la fréquence d'entrée de dérivation et la fréquence nominale est supérieure à cette valeur, le système détermine que la fréquence de dérivation n'est pas normale et que la dérivation est indisponible. La plage des valeurs est 1 %, 2 %, 4 %, 5 % (par défaut), 10 %.

Bypass Rate Tracking Rate (Hz/s) : suivi de la fréquence de l'inverseur par rapport au taux de fréquence de dérivation. La plage de valeurs est 0,5 à 2. La valeur par défaut est 1.

Power supply upon BYP SCR over temp : permet de préciser s'il faut lancer le mode de dérivation lors d'une surchauffe. La valeur par défaut est « enable » (activer).

Bypass Switches Limit : des courants transversaux se produisent pendant le transfert entre le mode de dérivation et le mode normal, ce qui a des répercussions sur le système. Ce paramètre précise le nombre de transferts entre le mode de dérivation et le mode normal à l'intérieur d'une période de 1 heure. La plage des valeurs est 3 à 10, et 10 est la valeur par défaut.

EPO transfers To BYP : permet de préciser si le système passe en mode de dérivation lorsque le bouton EPO est enfoncé. Le paramètre par défaut est désactivé.

The screenshot shows a control interface for a TRIPP-LITE system. At the top, it displays 'TRIPP-LITE', '100kVA', 'Single Mode', and the date/time '2020-03-06 15:44:22'. Below this is a header for 'AC Line Mode' with an 'Exit' button and three status indicators (red, yellow, blue) each with a '1'. The main area contains four settings, each with left and right arrow buttons for adjustment:

Bypass Volt Prot Lower Limit (%)	←	-40	→
Bypass Volt Prot Limit (%)	←	25	→
Bypass Freq Tracking Range (%)	←	5	→
Bypass Tracking Rate (Hz/s)	←	1.0	→

At the bottom, there is a 'Save Config' button and a refresh/clear button.

Figure 4-32A : Réglages de la dérivation

4. Fonctionnement

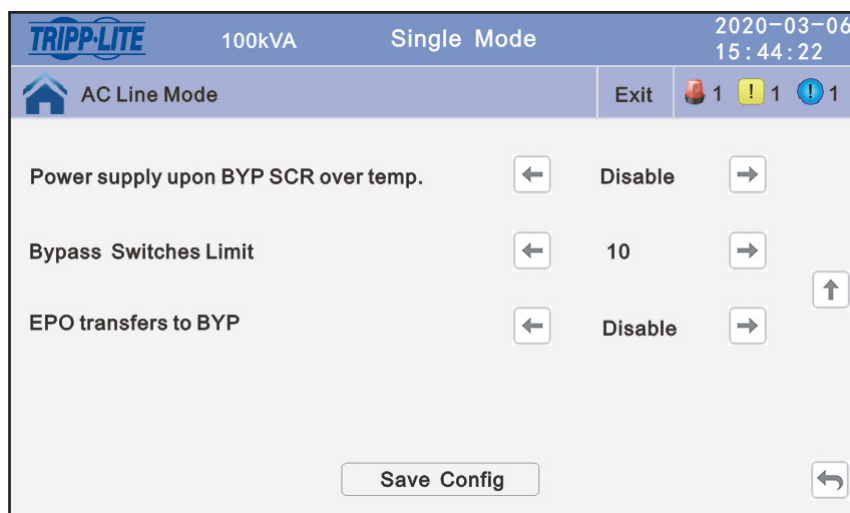


Figure 4-32B : Réglages de la dérivation

4.3.6.2.6 Réglages des contacts secs

Battery Abnormal BCB trip (DRV) : permet d'activer ou de désactiver la sortie simple de déclenchement du BCB (disjoncteur de batterie). Le paramètre par défaut est désactivé.

Bypass Feedback Trip : permet d'activer ou de désactiver la sortie de rétroaction de la dérivation. Le paramètre par défaut est désactivé.

External Maint. Breaker (MT) : permet d'activer ou de désactiver la détection de la connexion du disjoncteur d'entretien externe. Le paramètre par défaut est désactivé.

Battery breaker (BAT) : permet d'activer ou de désactiver la détection de la connexion du disjoncteur de batterie. Le paramètre par défaut est désactivé.

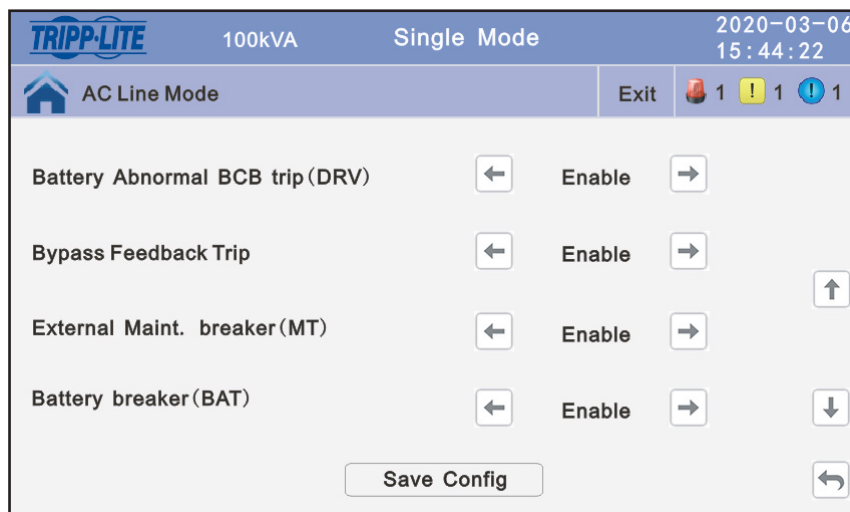


Figure 4-33 : Réglages des contacts secs

4. Fonctionnement

4.3.7 Écran Maint (entretien)

Cliquer sur l'icône **Maint** (entretien) pour accéder à l'interface de l'entretien où il est possible d'effectuer une autovérification des batteries et d'effectuer des corrections à l'écran.

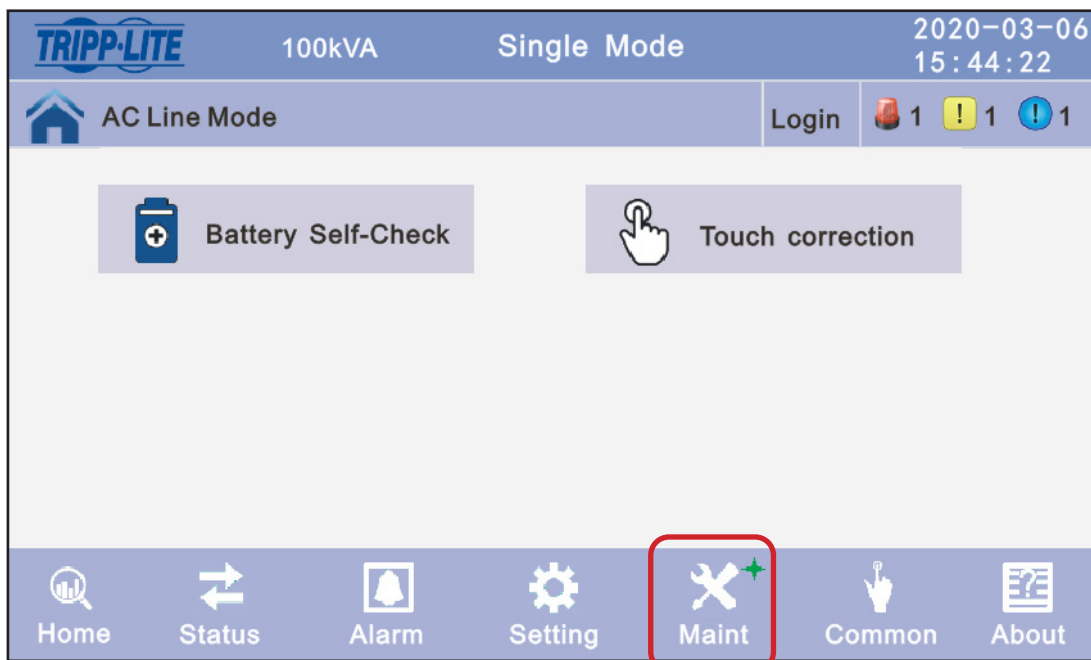


Figure 4-34 : Écran d'entretien

Battery Self-Check : permet de sélectionner la synchronisation de la vérification des batteries par Timing Daily (synchronisation quotidienne), Timing Weekly (synchronisation hebdomadaire) ou Cycle Mode (mode en cycle). La valeur par défaut est Timing Self-Check Close (synchronisation de l'autovérification fermée).

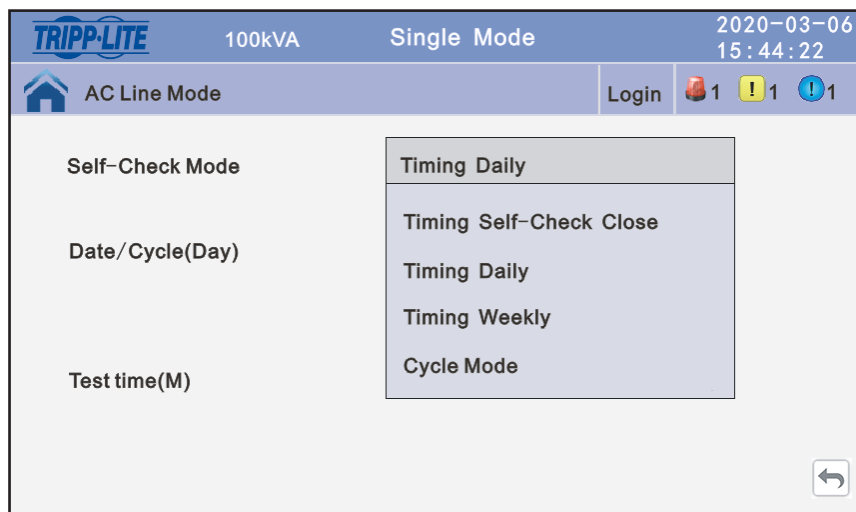
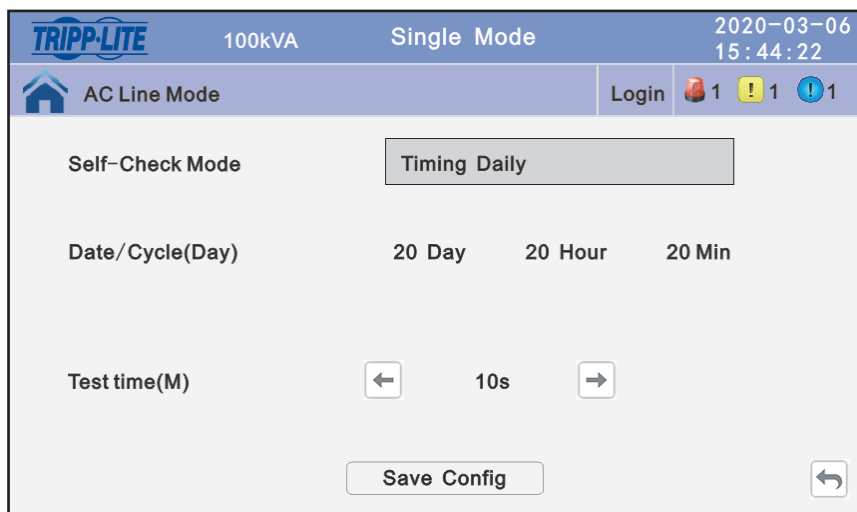


Figure 4-35A : Autovérification des batteries

4. Fonctionnement

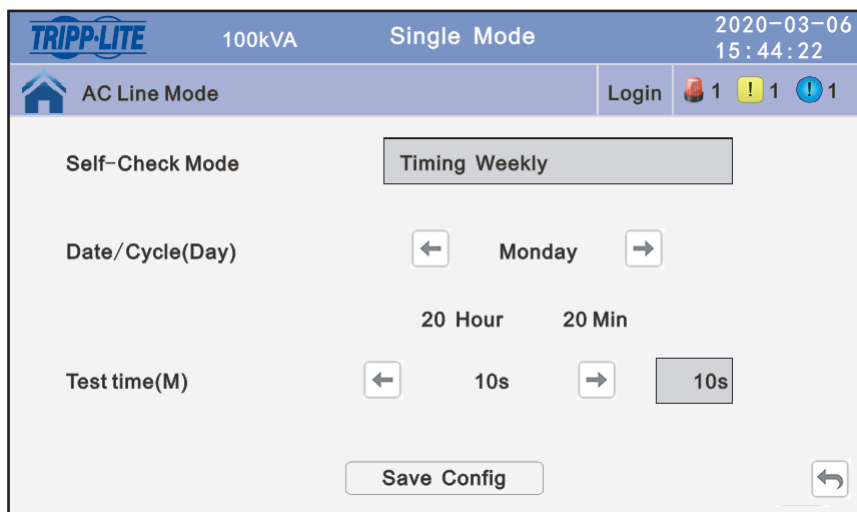
Timing Daily : permet de modifier la date de la vérification, la synchronisation et l'heure de la vérification. La plage des valeurs est 10s (10 secondes), 10min (10 minutes) et fin de la journée (EOD). La valeur par défaut est 10s.



The screenshot shows the TRIPP-LITE 100kVA Single Mode interface. The top bar displays the TRIPP-LITE logo, 100kVA, Single Mode, and the date/time 2020-03-06 15:44:22. Below the bar, there is a navigation menu with 'AC Line Mode' selected and a 'Login' button with three status indicators (1, 1, 1). The main content area is titled 'Self-Check Mode' and contains a 'Timing Daily' dropdown menu. Below this, the 'Date/Cycle(Day)' section has three options: '20 Day', '20 Hour', and '20 Min'. The 'Test time(M)' section has a '10s' value with left and right arrow buttons. At the bottom, there is a 'Save Config' button and a refresh icon.

Figure 4-35B : Autovérification des batteries

Timing Weekly : permet de modifier la date de la vérification, la synchronisation et l'heure de la vérification. La plage des valeurs est 10s (10 secondes), 10min (10 minutes) et fin de la décharge (EOD). La valeur par défaut est 10s.



The screenshot shows the TRIPP-LITE 100kVA Single Mode interface. The top bar displays the TRIPP-LITE logo, 100kVA, Single Mode, and the date/time 2020-03-06 15:44:22. Below the bar, there is a navigation menu with 'AC Line Mode' selected and a 'Login' button with three status indicators (1, 1, 1). The main content area is titled 'Self-Check Mode' and contains a 'Timing Weekly' dropdown menu. Below this, the 'Date/Cycle(Day)' section has a 'Monday' value with left and right arrow buttons. Below that, there are '20 Hour' and '20 Min' options. The 'Test time(M)' section has a '10s' value with left and right arrow buttons, and a '10s' button is highlighted. At the bottom, there is a 'Save Config' button and a refresh icon.

Figure 4-35C : Autovérification des batteries

4. Fonctionnement

4.3.8 Écran commun

Cliquer sur l'icône **Common** pour accéder à l'interface Common (commun), y compris INV ON/OFF (marche/arrêt de l'inverseur), Battery Test (test des batteries) et Fault Clear (annuler une anomalie).

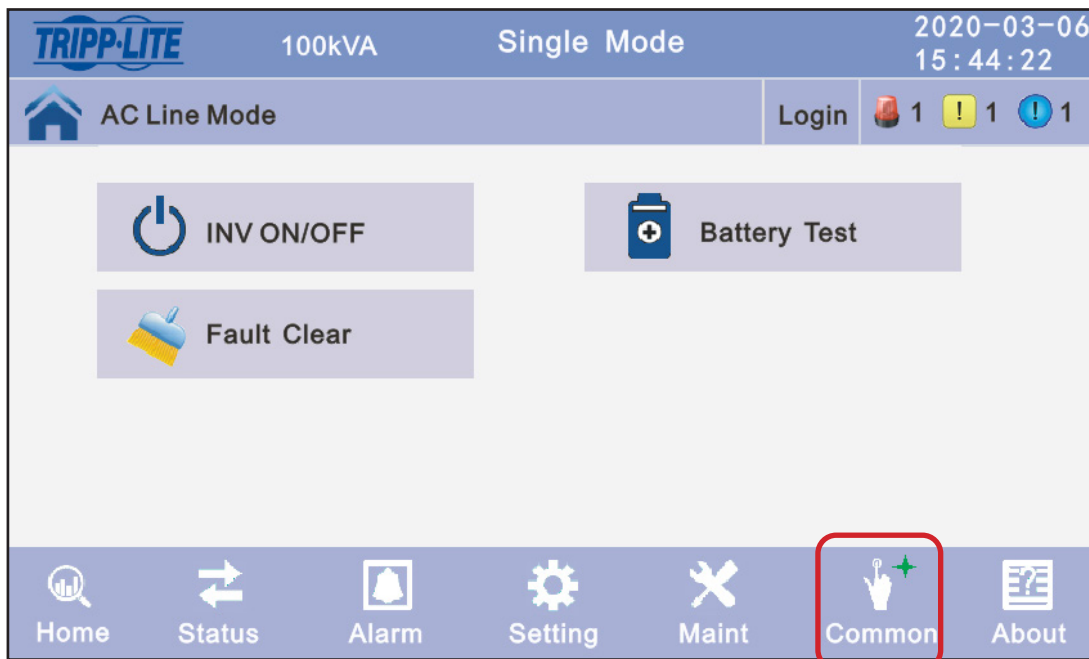


Figure 4-36 : Écran commun

INV ON/OFF (mise sous/hors tension de l'inverseur)

Single ON : inverseur sous tension, au niveau de l'onduleur.

Single OFF : inverseur hors tension, au niveau de l'onduleur.

Parallel ON : inverseur sous tension, tous les onduleurs en parallèle.

Parallel OFF : inverseur hors tension, tous les onduleurs en parallèle.

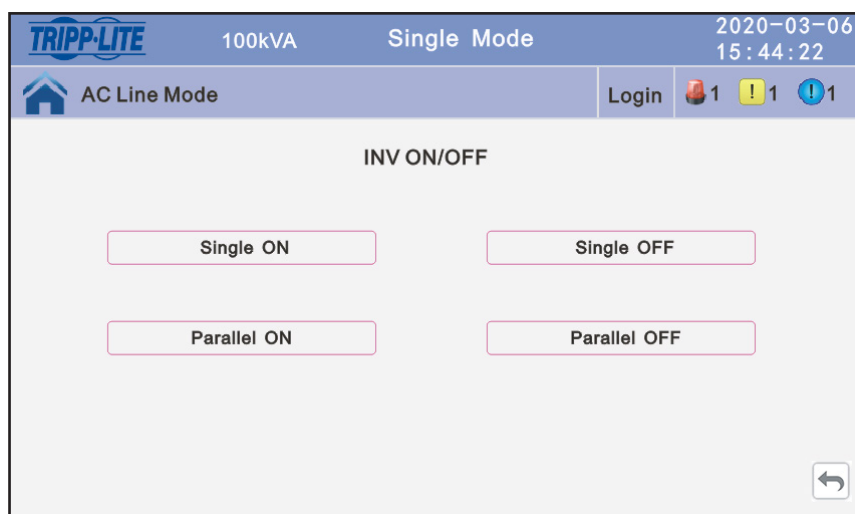


Figure 4-37 : mise sous/hors tension de l'inverseur

4. Fonctionnement

Test de la batterie

10S : test des batteries pendant 10 secondes.

10Min : test des batteries pendant 10 minutes.

EOD : test des batteries à la fin de la décharge.

-10% : test des batteries lorsque la capacité atteint 10 %.

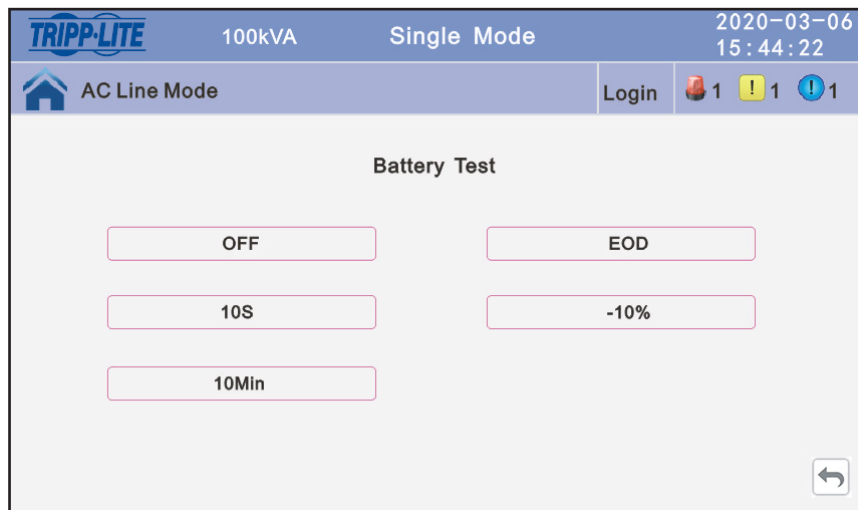


Figure 4-38 : Test des batteries

Fault clear : permet d'annuler l'anomalie actuelle (ne s'applique pas à toutes les défaillances).

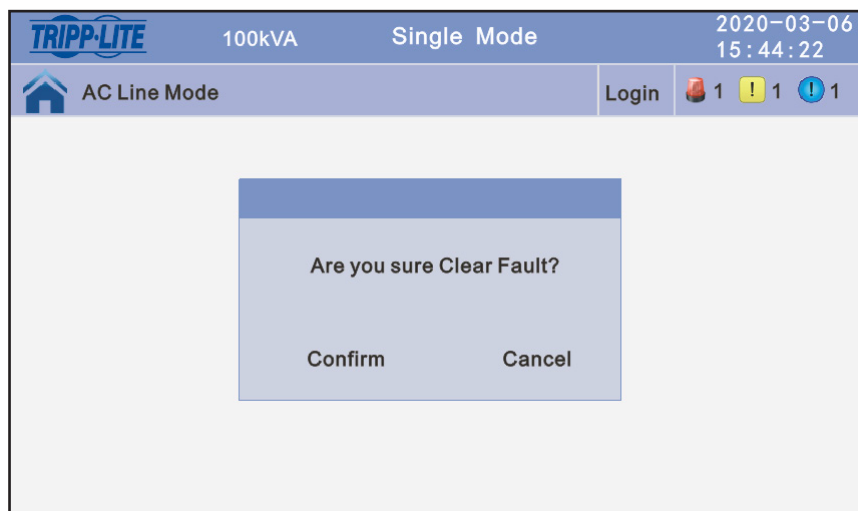


Figure 4-39 : Annuler une anomalie

4. Fonctionnement

4.3.9 À propos de l'écran

Cliquer sur l'icône **About** pour accéder à l'interface About (à propos) pour afficher les versions actuelles du moniteur et du logiciel.

Remarque : Pour accéder aux numéros du micrologiciel de l'inverseur et du redresseur, appuyer sur champ Informations à l'écran.

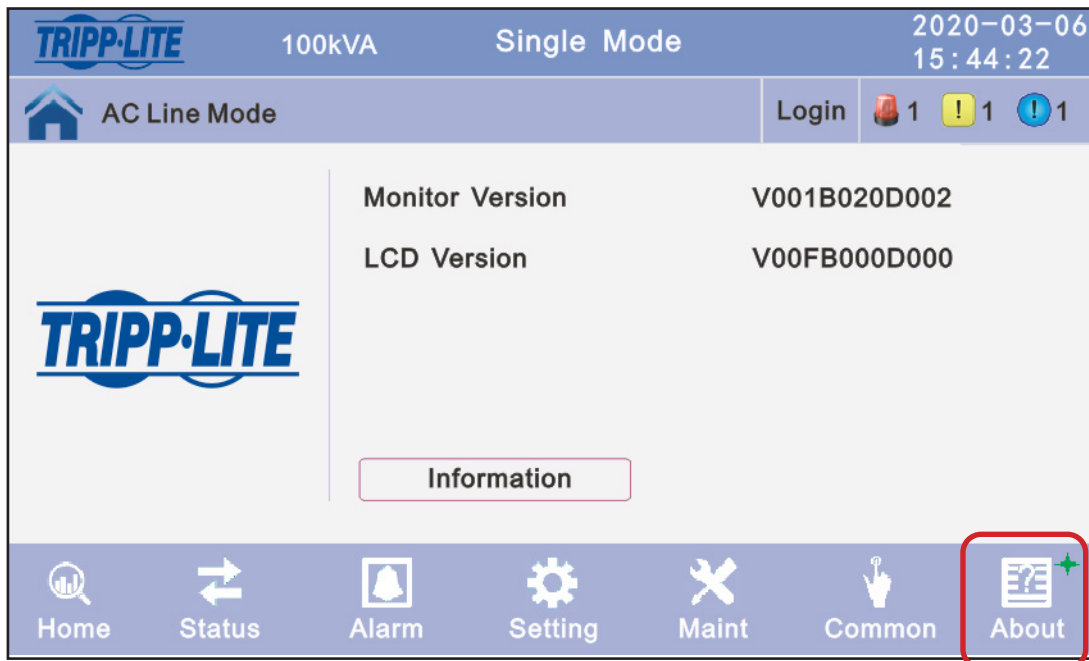


Figure 4-40 : À propos de l'écran

4. Fonctionnement

4.4 Affichage des messages et des alarmes

Cette section dresse une liste des alarmes sonores et des voyants à DEL qui peuvent être affichés par l'onduleur pendant le fonctionnement normal ou des défaillances.

Modes de l'onduleur	Alarmes sonores		Voyants à DEL de l'affichage			
	État de l'alarme	Mutable On/Off (marche/arrêt modifiable)	Alarme	Batterie	Dérivation	Inverseur
Initialisation de l'onduleur	Émet un bip, 1x	Non	Clignote/0,5 sec.	Clignote/0,5 sec.	Clignote/0,5 sec.	Clignote/0,5 sec.
Mode en ligne de l'onduleur (normal)	Aucun bip	Aucun bip	Off (hors tension)	Off (hors tension)	Off (hors tension)	Allumé
Mode batterie de l'onduleur	Émet un bip/2 sec.	Oui	Off (hors tension)	Off (hors tension)	On (sous tension)	Off (hors tension)
Mode test de la batterie de l'onduleur	Aucun bip	Aucun bip	Off (hors tension)	Off (hors tension)	On (sous tension)	Off (hors tension)
Mode ECO de l'onduleur	Aucun bip	Aucun bip	Off (hors tension)	On (sous tension)	Off (hors tension)	Off (hors tension)
Mode Attente de l'onduleur	Aucun bip	Aucun bip	Off (hors tension)	Off (hors tension)	Off (hors tension)	Off (hors tension)
Mode de dérivation statique de l'onduleur	Aucun bip	Aucun bip	Off (hors tension)	On (sous tension)	Off (hors tension)	Off (hors tension)
Mode de dérivation d'entretien de l'onduleur	Aucun bip	Aucun bip	Off (hors tension)	On (sous tension)	Off (hors tension)	Off (hors tension)
Mode convertisseur de fréquence de l'onduleur	Aucun bip	Aucun bip	Off (hors tension)	Off (hors tension)	Off (hors tension)	Allumé
Surcharge de la charge de l'onduleur	Émet un bip/1 sec.	Oui	Off (hors tension)	Off (hors tension)	Off (hors tension)	Clignote/2 sec.
Avertissements concernant l'onduleur	Émet un bip/2 sec. ou émet un bip/1 sec.	Oui	Clignote/2 sec.	Clignote/2 sec.	Off (hors tension)	Allumé
Anomalies de l'onduleur	Émet un bip/2 sec. ou émet un bip/1 sec.	Oui	Allumé	On (sous tension)	Off (hors tension)	Off (hors tension)

		Alarmes sonores		Voyants à DEL de l'affichage			
		État de l'alarme	Mutable On/Off (marche/arrêt modifiable)	Alarme	Dérivation	Batterie	Inverseur
Avertissements concernant l'onduleur	Battery Reverse	Émet un bip/1 sec.	Oui	Allumé	Off (hors tension)	Off (hors tension)	Off (hors tension)
	No Battery	Émet un bip/1 sec.	Oui	Off (hors tension)	Off (hors tension)	Clignote/ 1sec.	Off (hors tension)
	Défaillance du chargeur de batteries P	Bips continus	Oui	Allumé	Off (hors tension)	Off (hors tension)	Allumé
	Défaillance du chargeur de batteries N	Bips continus	Oui	Allumé	Off (hors tension)	Off (hors tension)	Allumé
	Sous-tension de la batterie	Émet un bip/1 sec.	Oui	Off (hors tension)	Off (hors tension)	Clignote/ 1sec.	Off (hors tension)
	Préavertissement de batterie faible	Émet un bip/1 sec.	Oui	Off (hors tension)	Off (hors tension)	Clignote/ 1sec.	Off (hors tension)
	Mains Freq. Anormale	Émet un bip/2 sec.	Oui	Off (hors tension)	Off (hors tension)	On (sous tension)	Off (hors tension)
	Mains Volt. Anormale	Émet un bip/2 sec.	Oui	Off (hors tension)	Off (hors tension)	On (sous tension)	Off (hors tension)
	Problème de câblage au niveau du site de dérivation	Émet un bip/1 sec.	Oui	Off (hors tension)	On (sous tension)	Off (hors tension)	Off (hors tension)
	Dérivation non disponible	Aucun bip	Aucun bip	Off (hors tension)	Clignote/ 1sec.	Off (hors tension)	Off (hors tension)
	Surcharge en parallèle	Émet un bip/2 sec.	Oui	Off (hors tension)	Off (hors tension)	Off (hors tension)	Clignote/ 1sec.
	Surintensité de dérivation	Émet un bip/1 sec.	Oui	Off (hors tension)	Clignote/ 1sec.	Off (hors tension)	Off (hors tension)
Protection contre la rétroaction	Émet un bip/1 sec.	Oui	Off (hors tension)	Allumé	On (sous tension)	Off (hors tension)	

4. Fonctionnement

	Alarmes sonores			Voyants à DEL de l'affichage			
	État de l'alarme	Mutable On/Off (marche/arrêt modifiable)	Alarme	Dérivation	Batterie	Inverseur	
Défaillances de l'onduleur	Défaillance du redresseur	Bips continus	Oui	Allumé	On (sous tension)	Off (hors tension)	Off (hors tension)
	Température excessive au niveau du redresseur	Émet un bip/1 sec.	Oui	Allumé	On (sous tension)	Off (hors tension)	Off (hors tension)
	Température excessive au niveau de l'inverseur	Émet un bip/1 sec.	Oui	Allumé	On (sous tension)	Off (hors tension)	Off (hors tension)
	Surintensité du redresseur	Émet un bip/1 sec.	Oui	Allumé	On (sous tension)	Off (hors tension)	Off (hors tension)
	Défaillance de l'alimentation auxiliaire 1	Bips continus	Oui	Allumé	On (sous tension)	Off (hors tension)	Off (hors tension)
	Défaillance de l'alimentation auxiliaire 2	Bips continus	Oui	Allumé	On (sous tension)	Off (hors tension)	Off (hors tension)
	Échec du thyristor d'entrée	Bips continus	Oui	Allumé	On (sous tension)	Off (hors tension)	Off (hors tension)
	Fan Fault	Bips continus	Oui	Allumé	On (sous tension)	Off (hors tension)	Off (hors tension)
	Défaillance de l'alimentation du ventilateur	Bips continus	Oui	Allumé	On (sous tension)	Off (hors tension)	Off (hors tension)
	Surtension du bus CC	Bips continus	Oui	Allumé	On (sous tension)	Off (hors tension)	Off (hors tension)
	Bus CC en deçà de la tension	Bips continus	Oui	Allumé	On (sous tension)	Off (hors tension)	Off (hors tension)
	Déséquilibre du bus CC	Bips continus	Oui	Allumé	On (sous tension)	Off (hors tension)	Off (hors tension)
	Problème de câblage au niveau du site du secteur	Émet un bip/1 sec.	Oui	Allumé	On (sous tension)	Off (hors tension)	Off (hors tension)
	Soft Start Failed	Bips continus	Oui	Allumé	Off (hors tension)	Off (hors tension)	Off (hors tension)
	Alimentation neutre d'entrée manquante	Émet un bip/1 sec.	Oui	Allumé	On (sous tension)	Off (hors tension)	Off (hors tension)
	Battery Over Voltage	Émet un bip/1 sec.	Oui	Clignote/ 1sec.	Allumé	Off (hors tension)	Off (hors tension)
	Inverter Fault	Bips continus	Oui	Allumé	On (sous tension)	Off (hors tension)	Off (hors tension)
	Inv. Pont IGBT court-circuité	Bips continus	Oui	Allumé	On (sous tension)	Off (hors tension)	Off (hors tension)
	Thyristor de l'inverseur court-circuité	Bips continus	Oui	Allumé	On (sous tension)	Off (hors tension)	Off (hors tension)
	Thyristor de l'inverseur brisé	Bips continus	Oui	Allumé	On (sous tension)	Off (hors tension)	Off (hors tension)
	Thyristor de dérivation court-circuité	Bips continus	Oui	Allumé	On (sous tension)	Off (hors tension)	Off (hors tension)
	Thyristor de dérivation brisé	Bips continus	Oui	Allumé	Off (hors tension)	Off (hors tension)	Off (hors tension)
	CAN Comm. Défaillance	Émet un bip/1 sec.	Oui	Allumé	Off (hors tension)	Off (hors tension)	Off (hors tension)
	Défaillance du partage de la charge en parallèle	Émet un bip/1 sec.	Oui	Allumé	On (sous tension)	Off (hors tension)	Off (hors tension)
	Surintensité IGBT	Bips continus	Oui	Allumé	On (sous tension)	Off (hors tension)	Off (hors tension)
Fuse Broken	Bips continus	Oui	Allumé	On (sous tension)	Off (hors tension)	Off (hors tension)	

4. Fonctionnement

		Alarmes sonores		Voyants à DEL de l'affichage			
		État de l'alarme	Fréquence de l'alarme	Alarme	Batterie	Dérivation	Inverseur
Défaillances de l'onduleur	Erreur de connexion de câble	Émet un bip/1 sec.	Oui	Allumé	On (sous tension)	Off (hors tension)	Off (hors tension)
	Défaillance du relais en parallèle	Bips continus	Oui	Allumé	On (sous tension)	Off (hors tension)	Off (hors tension)
	Défaillance de l'initialisation	Bips continus	Oui	Allumé	Off (hors tension)	Off (hors tension)	Off (hors tension)
	Inverseur activé non valide	Bips continus	Oui	Allumé	On (sous tension)	Off (hors tension)	Off (hors tension)
	Raccourci pour la sortie	Émet un bip/1 sec.	Oui	Clignote/ 1sec.	Off (hors tension)	Off (hors tension)	Off (hors tension)
	Court-circuit A SCR de dérivation	Bips continus	Oui	Allumé	On (sous tension)	Off (hors tension)	Off (hors tension)
	Court-circuit B SCR de dérivation	Bips continus	Oui	Allumé	On (sous tension)	Off (hors tension)	Off (hors tension)
	Court-circuit C SCR de dérivation	Bips continus	Oui	Allumé	On (sous tension)	Off (hors tension)	Off (hors tension)
	Défaillance du ventilateur de l'armoire	Bips continus	Oui	Allumé	On (sous tension)	Off (hors tension)	Off (hors tension)
	Communication interne Erreur	Émet un bip/2 sec.	Oui	Allumé	Off (hors tension)	Off (hors tension)	Off (hors tension)

4. Fonctionnement

4.4.1 Renseignements sur les défaillances

Non	Code d'anomalie	Avertissement d'alarme de l'onduleur	Vibreux sonore	Voyant à DEL
1	002	Défaut surchauffe REC	Émet un bip 2x/seconde	Voyant à DEL d'anomalie allumé
2.	003	Défaut BUS REC	Émet un bip 2x/seconde	Voyant à DEL d'anomalie allumé
3	004	Défaut surcharge REC	Émet continuellement un bip	Voyant à DEL d'anomalie allumé
4	005	Défaut alimentation auxiliaire REC	Émet continuellement un bip	Voyant à DEL d'anomalie allumé
5	007	Défaut thyristor entrée	Émet continuellement un bip	Voyant à DEL d'anomalie allumé
6	00A	Défaut thyristor batterie	Émet continuellement un bip	Voyant à DEL d'anomalie allumé
7	00C	Défaut thyristor charge	Émet continuellement un bip	Voyant à DEL d'anomalie allumé
8	00E	Défaut ventilateur	Émet continuellement un bip	Voyant à DEL d'anomalie allumé
9	011	Défaut alimentation ventilateur	Émet continuellement un bip	Voyant à DEL d'anomalie allumé
10	012	Défaut surchauffe chargeur	Émet continuellement un bip	Voyant à DEL d'anomalie allumé
11	013	Échec « soft start »	Émet continuellement un bip	Voyant à DEL d'anomalie allumé
12	014	Défaut chargeur bat	Émet continuellement un bip	Voyant à DEL d'anomalie allumé
13	016	Défaut COM REC	Une fois toutes les 2 secondes	Voyant à DEL d'anomalie clignotant
14	019	Défaut initialisation REC	Émet continuellement un bip	Voyant à DEL d'anomalie allumé
15	01D	Défaut accès à l'unité	Émet 1 bip/2 secondes	Voyant à DEL d'anomalie allumé
16	063		Émet 1 bip/2 secondes	Voyant à DEL d'anomalie allumé
17	01E	Défaut REC	Émet continuellement un bip	Voyant à DEL d'anomalie allumé
18	041	Défaut INV	Émet continuellement un bip	Voyant à DEL d'anomalie allumé
19	044	Défaut IGBT INV court circuit	Émet continuellement un bip	Voyant à DEL d'anomalie allumé
20	047	Défaut relais INV court circuit	Émet continuellement un bip	Voyant à DEL d'anomalie allumé
21	04A	Défaut relais INV ouvert	Émet continuellement un bip	Voyant à DEL d'anomalie allumé
22	04D	Défaut câble parallèle	Émet un bip 2x/seconde	Voyant à DEL d'anomalie allumé
23	051	Défaut sortie en court circuit	Une fois par seconde	Voyant à DEL d'anomalie clignotant
24	054	Défaut échec COM interne	Émet 1 bip/2 secondes	Voyant à DEL d'anomalie clignotant
25	057	Défaut initialisation onduleur	Émet continuellement un bip	Voyant à DEL d'anomalie allumé
26	05A	Défaut Auto-test onduleur	Émet continuellement un bip	Voyant à DEL d'anomalie allumé
27	05E	Défaut composant CC de l'onduleur	Émet 1 bip/2 secondes	Voyant à DEL d'anomalie allumé
28	061	Défaut DC bus	Émet continuellement un bip	Voyant à DEL d'anomalie allumé
29	064	INV DSP Power Fault	Émet continuellement un bip	Voyant à DEL d'anomalie allumé
30	067	Défaut surchauffe onduleur	Émet un bip 2x/seconde	Voyant à DEL d'anomalie allumé
31	068	Défaut de partage de charge	Deux fois par seconde	Voyant à DEL d'anomalie allumé
32	06A	Défaut en mode armoire	Émet continuellement un bip	Voyant à DEL d'anomalie allumé
33	06B	Défaut fusible	Émet continuellement un bip	Voyant à DEL d'anomalie allumé
34	081	Défaut câble parallèle	Émet un bip 2x/seconde	Voyant à DEL d'anomalie allumé
35	086	Défaut ECU	Émet 1 bip/2 secondes	Voyant à DEL d'anomalie allumé
36	088	Défaut alimentation ECU	Émet continuellement un bip	Voyant à DEL d'anomalie allumé
37	08B	Défaut COM ECU	Émet continuellement un bip	Voyant à DEL d'anomalie allumé
38	08D	Défaut initialisation ECU	Émet 1 bip/2 secondes	Voyant à DEL d'anomalie clignotant
39	091	Défaut thyristor bypass	Émet continuellement un bip	Voyant à DEL d'anomalie allumé
40	0C2		Émet continuellement un bip	Voyant à DEL d'anomalie allumé
41	094	Défaut thyristor BP court circuit	Émet continuellement un bip	Voyant à DEL d'anomalie allumé
42	0C5		Émet continuellement un bip	Voyant à DEL d'anomalie allumé
43	097	Défaut surchauffe bypass st	Émet continuellement un bip	Voyant à DEL d'anomalie allumé
44	0CF		Émet continuellement un bip	Voyant à DEL d'anomalie allumé
45	09A	Défaut CT courant de sortie	Émet continuellement un bip	Voyant à DEL d'anomalie allumé
46	09D	Défaut de feedback de bypass	Émet continuellement un bip	Voyant à DEL d'anomalie allumé

4. Fonctionnement

4.4.2 Renseignements sur les alarmes

Non	Code d'anomalie	Avertissement d'alarme de l'onduleur	Vibreur sonore	Voyant à DEL
1	103	Surtension batterie	1x/seconde	Voyant à DEL des batterie clignotant
2.	104	Pré-alarme tension basse batterie	1x/seconde	Voyant à DEL des batterie clignotant
3	105	Batterie inversée	Deux fois par seconde	Voyant à DEL des batterie clignotant
4	106	Batterie « EOD »	1x/seconde	Voyant à DEL des batterie clignotant
5	107	Tension bat basse	1x/seconde	Voyant à DEL des batterie clignotant
6	108	Pas de batterie	1x/seconde	Voyant à DEL des batterie clignotant
7	109	Phase d'entrée inversée	1x/seconde	Voyant à DEL de l'inverseur clignotant
8	10 A	Neutre entrée perdu	Deux fois par seconde	Voyant à DEL de l'inverseur clignotant
9	10B	Fréquence principale anormale	1x/2 secondes	Voyant à DEL de l'inverseur clignotant
10	10C	Tension principale anormale	1x/2 secondes	Voyant à DEL de l'inverseur clignotant
11	10D	Erreur COM REC	1x/2 secondes	Voyant à DEL de l'inverseur clignotant
12	10E	Pas d'alim principale	1x/2 secondes	
13	10F	Erreur configuration donnée	1x/2 secondes	Voyant à DEL d'anomalie clignotant
14	121	Câble parallèle onduleur anormal	1x/2 secondes	Voyant à DEL d'anomalie clignotant
15	125	Surcharge de l'onduleur	1x/2 secondes	Voyant à DEL de l'inverseur clignotant
16	126	Onduleur désynchronisé	Émet continuellement un bip	Voyant à DEL de l'inverseur clignotant
17	12 A	Erreur configuration donnée INV	1x/2 secondes	Voyant à DEL d'anomalie clignotant
18	129	Erreur COM interne onduleur	1x/2 secondes	Voyant à DEL d'anomalie clignotant
19	141	Bypass Change to Num	1x/2 secondes	Voyant à DEL de dérivation clignotant
20	142	Erreur de quantité de module	1x/2 secondes	Voyant à DEL d'anomalie clignotant
21	143	Surcharge parallèle	1x/2 secondes	Voyant à DEL de l'inverseur clignotant
22	144	Surcharge bypass	1x/2 secondes	Voyant à DEL de dérivation clignotant
23	145	Mauvais fonctionnement inter maint	1x/2 secondes	Voyant à DEL d'anomalie clignotant
24	146	Erreur COM ECU	1x/2 secondes	Voyant à DEL d'anomalie clignotant
25	147	Câble parallèle anormal	1x/2 secondes	Voyant à DEL d'anomalie clignotant
26	14B	Câble parallèle ECU anormal	1x/2 secondes	Voyant à DEL d'anomalie clignotant
27	14C	ECU anormal	1x/2 secondes	Voyant à DEL d'anomalie clignotant
28	14E	Phase de bypass st inversée	1x/seconde	Voyant à DEL de dérivation clignotant
29	162		1x/seconde	Voyant à DEL de dérivation clignotant
30	14F	BPS Unable To Trace	1x/2 secondes	Voyant à DEL de dérivation clignotant
31	163		1x/2 secondes	Voyant à DEL de dérivation clignotant
32	150	Bypass st non disponible	1x/seconde	Voyant à DEL de dérivation clignotant
33	164		1x/seconde	Voyant à DEL de dérivation clignotant
34	151	ECU erreur de données	1x/2 secondes	Voyant à DEL d'anomalie clignotant

5. Dépannage

Si l'onduleur ne fonctionne pas normalement, vérifier la présence d'erreurs au niveau de l'installation, du câblage ou du fonctionnement. Si tous ces aspects ne présentent aucune erreur, contacter le soutien à tripplite.com/support avec les renseignements suivants :

1. Nom de modèle et numéro de série du produit
2. Description du problème avec des détails tels que les informations sur l'affichage ACL, l'état des voyants à DEL, etc.

Lire attentivement ce manuel de l'utilisateur. Le tableau ci-dessous peut aider l'utilisateur à résoudre facilement le problème.

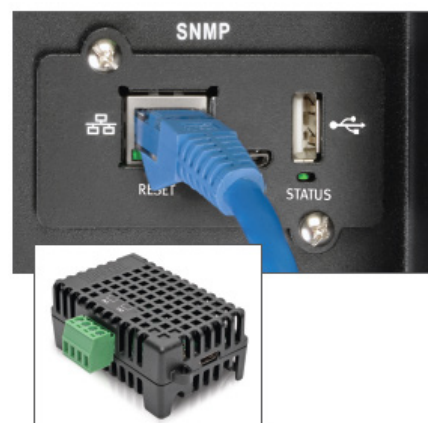
N°	Problème	Raison possible	Solution
1	L'alimentation du secteur est raccordée, mais l'onduleur ne peut pas être mis sous tension.	<ul style="list-style-type: none"> • La source d'alimentation d'entrée n'est pas connectée. • Faible tension d'entrée • Le commutateur d'entrée de l'onduleur n'est pas sous tension. 	<ul style="list-style-type: none"> • Mesurer si la tension/fréquence de l'onduleur se situe à l'intérieur du créneau. • S'assurer que l'entrée de l'onduleur est sous tension.
2.	L'alimentation du secteur est normale, mais le voyant à DEL Utility (secteur) ne s'allume pas et l'onduleur fonctionne en mode batterie.	<ul style="list-style-type: none"> • Les disjoncteurs d'entrée de l'onduleur ne sont pas sous tension. • Le câble d'entrée n'est pas solidement raccordé. 	<ul style="list-style-type: none"> • Mettre sous tension le disjoncteur d'entrée. • S'assurer que le câble d'entrée est solidement raccordé.
3	L'onduleur n'indique pas une défaillance, mais il n'y a aucune tension de sortie.	<ul style="list-style-type: none"> • Le câble de sortie n'est pas solidement raccordé. • Le commutateur du disjoncteur de sortie n'est pas sous tension. 	<ul style="list-style-type: none"> • S'assurer que le câble de sortie est solidement raccordé. • Mettre sous tension le disjoncteur de sortie.
4	Le voyant à DEL Utility (secteur) clignote.	La tension du secteur excède la plage d'entrée de l'onduleur.	Si l'onduleur fonctionne en mode batterie, prêter attention au temps de sauvegarde restant nécessaire pour le système.
5	Le voyant à DEL Battery (batterie) clignote, mais il n'y a aucune tension de charge et aucun courant.	<ul style="list-style-type: none"> • Le disjoncteur des batteries n'est pas sous tension. • Les batteries sont endommagées. • La batterie est connectée à l'envers. • Le nombre de batteries et la capacité ne sont pas configurés correctement. 	<ul style="list-style-type: none"> • Mettre sous tension le disjoncteur des batteries. • Si les batteries sont endommagées, remplacer l'ensemble du groupe de batteries. • Connecter correctement les câbles des batteries. • Accéder au réglage de l'affichage ACL pour le nombre de batteries et la capacité, et pour configurer les bonnes données.
6	Le vibreur émet un bip toutes les 0,5 seconde et l'écran ACL affiche « Output Overload » (surcharge de la sortie).	Surcharge	Enlever une partie de la charge.
7	L'onduleur fonctionne uniquement en mode de dérivation.	L'onduleur est configuré en mode ECO ou les temps de transfert en mode de dérivation sont limités.	Configurer le mode de fonctionnement de l'onduleur à UPS type (type d'onduleur) (non parallèle) ou réinitialiser les temps de transfert en mode de dérivation ou redémarrer l'onduleur.
8	Incapable de mettre sous tension	<ul style="list-style-type: none"> • Le commutateur des batteries n'est pas correctement fermé. • Le fusible des batteries n'est pas ouvert. • La batterie est faible • La quantité de batteries est configurée incorrectement. • Le disjoncteur d'alimentation dans le panneau arrière n'est pas en position ON (marche). 	<ul style="list-style-type: none"> • Fermer le commutateur des batteries. • Changer le fusible. • Recharger la batterie. • Mettre l'onduleur sous tension avec l'alimentation CA pour configurer la bonne quantité de batteries. • Mettre sous tension le disjoncteur d'alimentation.

6. Communications

6.1 Carte de gestion Web

La **WEBCARDLX** de Tripp Lite est un accessoire en option offert pour tous les modèles. La carte WEBCARDLX permet la surveillance et le contrôle à distance par le biais de plusieurs interfaces : Web HTML5 via HTTP(S), menu/CLI via SSH/Telnet et SNMP pour l'intégration avec les plateformes de gestion de logiciel, comme DCIM. En utilisant la carte WEBCARDLX dans l'onduleur combinée aux PDU commutées prises en charge par le réseau de Tripp Lite, il est possible de gérer l'alimentation à travers l'installation et recevoir des alertes automatisées pour identifier des problèmes avant qu'ils ne provoquent des temps d'arrêt.

La carte **WEBCARDLX** prend également en charge une famille de sondes pour la surveillance à distance des conditions environnementales. Il est possible de relier jusqu'à trois sondes ensemble en les connectant à un seul port sur la carte WEBCARDLX. Tripp Lite offre le logiciel de système de gestion de logiciel gratuit PowerAlert®. En apprendre davantage et télécharger en visitant tripplite.com/products/power-alert.



6.1.1 Caractéristiques de la carte WEBCARDLX

Ce qui suit est une introduction aux caractéristiques de la carte WEBCARDLX de Tripp Lite. Pour afficher la description complète de la fonctionnalité de la carte, télécharger son manuel de l'utilisateur en visitant tripplite.com/support.

A Port Ethernet : la prise RJ45 permet de connecter la carte WEBCARDLX au réseau avec un cordon de raccordement Ethernet standard. Le voyant à DEL Link (lien) **A1** et le voyant à DEL Status (état) **A2** indiquent les conditions de fonctionnement.

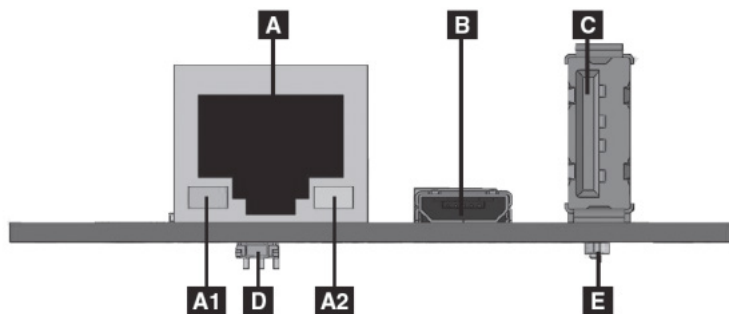
B Port Micro-USB : Utiliser ce port pour fournir un raccordement terminal direct à un ordinateur avec un émulateur de terminal.

C Port USB de type A : utiliser ce port pour connecter un module ENVIROSENSE 2 de Tripp Lite (E2MT, E2MTDO, E2MTDI, E2MTHDI) pour une variété d'options de surveillance environnementale et de contrôle. Visiter tripplite.com pour des informations supplémentaires sur ces modules.

Remarque : Ne pas brancher un clavier ou une souris à ce port.

D Bouton de réinitialisation : Le bouton de réinitialisation est encastré et est accessible au moyen d'un petit trou sous le port de réseau RJ45.

E Voyant à DEL Status (état) : indique l'état de la carte WEBCARDLX.

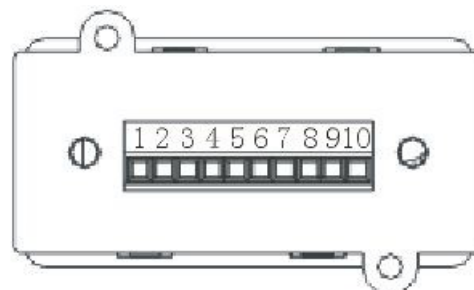


6.2 Carte de relais

Une borne à 10 broches prend en charge une carte de relais pour fournir les fonctions de dérivation, de défaillance du secteur, d'inverseur activé, de batterie faible, de défaillance de l'onduleur, d'alarme de l'onduleur et de mise hors tension de l'onduleur. La carte de communication du relais comporte six sorties à contact sec et une entrée à contact sec. Les entrées et les sorties sont programmées en usine selon les fonctions mentionnées dans le tableau suivant.

Contacts du relais (carte de communication)

Broche	Description des fonctions	Entrée ou sortie
1	Défaillance du secteur	Sortie
2.	Batterie faible	
3		
4	Dérivation activée	
5	Défaillance de l'onduleur	
6	Inverseur activé	
7	Récapitulatif des alarmes	
8	Commun	
9	Arrêt à distance +	Entrée (5 à 12 V)



6. Communications

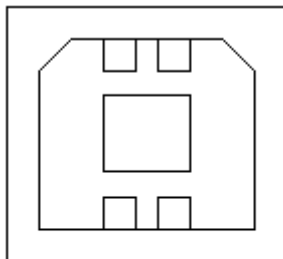
6.3 Définition du port de communication USB



Remarques :

- Les interfaces USB, RS-232 et RS-485 ne peuvent pas être utilisées simultanément. Une seule interface peut être utilisée à la fois.
- Ces trois ports de communication utilisent un protocole MODBUS. Consulter le manuel de l'utilisateur du MODBUS triphasé S3M10-20kVA.

Le port de communication USB est un connecteur femelle USB de Type-B.



Connexions entre le port USB de l'ordinateur connecté et le port USB de l'onduleur

Port USB de l'ordinateur	Port USB de l'onduleur	Description
Broche 1	Broche 1	Ordinateur : +5 V
Broche 2	Broche 2	Ordinateur : signal DPLUS
Broche 3	Broche 3	Ordinateur : signal DMINUS
Broche 4	Broche 4	Mise à la terre du signal

Fonctions disponibles pour le port USB

- Surveillance de l'état de l'alimentation de l'onduleur
- Surveillance des données sur les alarmes de l'onduleur
- Surveillance des paramètres de fonctionnement de l'onduleur
- Réglage de l'activation/désactivation de la synchronisation
- Communication un à un, de l'onduleur à un ordinateur, à une distance de moins de 1,5 m

Format des données de communication USB

- Débit en bauds : 9 600 bps
- Longueur d'octet : 8 bits
- Bit d'arrêt : 1 bit
- Vérification de la parité : aucune

6. Communications

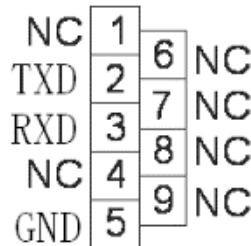
6.4 Définition du port de communication RS-232



Remarques :

- Les interfaces USB, RS-232 et RS-485 ne peuvent pas être utilisées simultanément. Une seule interface peut être utilisée à la fois.
- Ces trois ports de communication utilisent un protocole MODBUS. Consulter le manuel de l'utilisateur du MODBUS triphasé S3M10-20kVA.

Le port RS-232 est un connecteur mâle.



Connexion entre le port RS-232 de l'ordinateur connecté et le port RS-232 de l'onduleur

Port RS-232 de l'ordinateur	Port RS-232 de l'onduleur	
Broche 2	Broche 2	Envoyé par l'onduleur, reçu par l'ordinateur
Broche 3	Broche 3	Envoyé par l'ordinateur, reçu par l'onduleur
Broche 5	Broche 5	Mise à la terre

Fonctions disponibles pour le port RS-232

- Surveillance de l'état de l'alimentation de l'onduleur
- Surveillance des données sur les alarmes de l'onduleur
- Surveillance des paramètres de fonctionnement de l'onduleur
- Réglage de l'activation/désactivation de la synchronisation
- Communication un à un, de l'onduleur à un ordinateur, à une distance de moins de 5 m

Format des données de communication RS-232

- Débit en bauds : 9 600 bps
- Longueur d'octet : 8 bits
- Bit d'arrêt : 1 bit
- Vérification de la parité : aucune

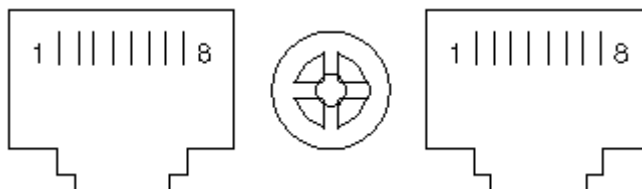
6.5 Définition du port de communication RS-485

Remarques :



- Les interfaces USB, RS-232 et RS-485 ne peuvent pas être utilisées simultanément. Une seule interface peut être utilisée à la fois.
- Ces trois ports de communication utilisent un protocole MODBUS. Consulter le manuel de l'utilisateur du MODBUS triphasé S3M10-20kVA.
- Ce port peut également être utilisé avec un thermostat des batteries externes. Consulter la section **6.6 Définition du port de communication BAT_T**.

Le port RS-485 est un connecteur femelle.



6. Communications

Connexion entre le port RS-485 du dispositif connecté et le port RS-485 de l'onduleur

Dispositif (RJ-45)	Onduleur (RJ-45)	Description
Broche 1/5	Broche 1/5	485+ « A »
Broche 2/4	Broche 2/4	485 - « B »
Broche 7	Broche 7	+12Vdc
Broche 8	Broche 8	GND (masse)

Fonctions disponibles pour le port RS-485

- Surveillance de l'état de l'alimentation de l'onduleur
- Surveillance des données sur les alarmes de l'onduleur
- Surveillance des paramètres de fonctionnement de l'onduleur
- Réglage de l'activation/désactivation de la synchronisation
- Surveillance de la température de l'environnement des batteries
- Modulation de la tension de chargement en fonction de la température des batteries

Format des données de communication RS-485

- Débit en bauds : 9 600 bps
- Longueur d'octet : 8 bits
- Bit d'arrêt : 1 bit
- Vérification de la parité : aucune

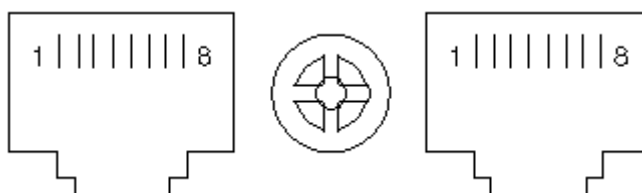
6.6 Définition du port de communication BAT_T



Remarques :

- Les interfaces USB, RS-232 et RS-485 ne peuvent pas être utilisées simultanément. Une seule interface peut être utilisée à la fois.
- Ce port peut également être utilisé pour les communications MODBUS. Consulter la section 6.5 Définition du port de communication RS-485.

Le port BAT_T est un connecteur femelle. Le thermostat de l'armoire de batteries externes utilisé pour la compensation de la température de charge peut être connecté à ce port.



Connexion entre le port RJ45 de la sonde de température et le port RJ45 de l'onduleur

Sonde de température (RJ45)	BAT_T de l'onduleur (RJ45)	Description
Broche 1/5	Broche 1/5	TX
Broche 2/4	Broche 2/4	RX
Broche 7	Broche 7	12 V
Broche 8	Broche 8	GND (masse)

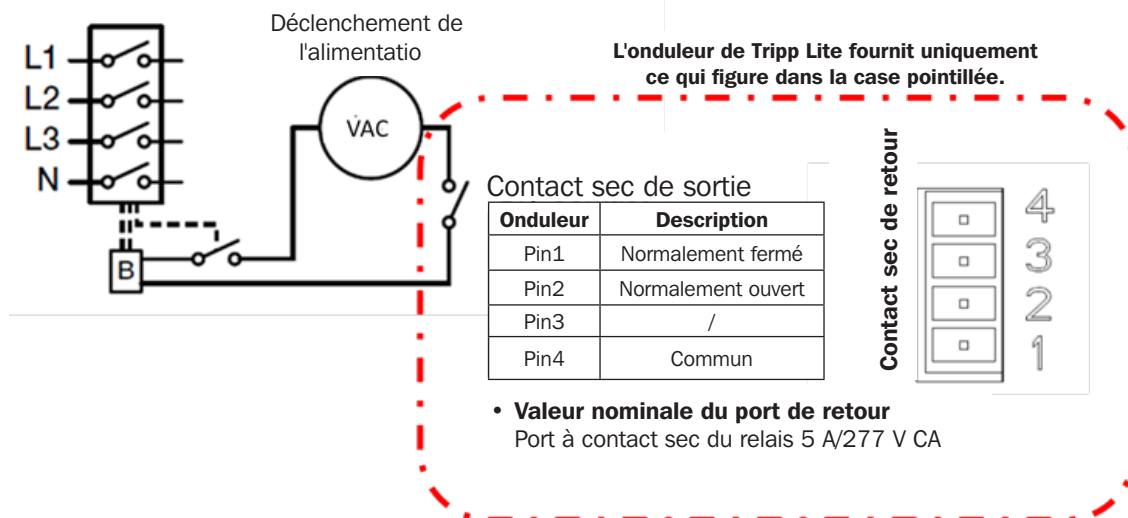
Fonctions disponibles pour le port BAT_T

- Surveillance de la température de l'environnement des batteries
- Modulation de la tension de chargement en fonction de la température des batteries

6. Communications

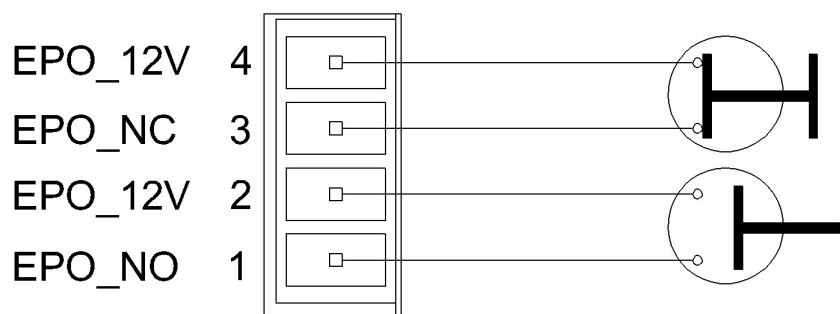
6.7 Retour : port des contacts secs du relais

Le port de retour est un connecteur mâle.



6.8 Connexion REPO

Schéma de connexion : REPO est normalement fermé (NC)



Connexions entre le bouton et le port REPO de l'onduleur.

Bouton	REPO de l'onduleur	Description
Broche 1	Broche 1	EPO-NO
Broche 2	Broche 2	EPO-12V
Broche 1	Broche 3	EPO-NC
Broche 2	Broche 4	EPO-12V

- Un commutateur d'arrêt d'urgence à distance peut être installé à distance et connecté par le biais de fils simples au connecteur REPO.

7. Entreposage et entretien

7.1 Entreposage

L'onduleur doit être entreposé dans un environnement propre et sûr et où la température est inférieure à 40 °C (104 °F) et l'humidité relative est inférieure à 90 % (sans condensation). Entrepoiser l'onduleur dans son conteneur d'expédition original si possible. Si l'installation a lieu plus de 6 mois après la réception de l'onduleur, recharger les batteries pendant au moins 24 heures avant l'utilisation. Ne pas se fier à l'onduleur pour fournir une alimentation de secours à l'équipement connecté jusqu'à ce que les batteries soient entièrement chargées.

Remarque : Si l'onduleur demeure hors tension pendant une période prolongée, il est recommandé de le mettre périodiquement sous tension pour permettre aux batteries de se recharger. L'onduleur doit être mis sous tension et les batteries doivent être rechargées pendant une période ininterrompue d'au moins 24 heures tous les 3 mois. Si les batteries ne sont pas rechargées périodiquement, cela risque de causer des dommages irréversibles aux batteries.

7.2 Entretien

Tripp Lite recommande qu'un entretien annuel de prévention soit effectué sur ce produit pour en assurer la fiabilité et la longévité. Le démarrage, l'entretien préventif et les réparations doivent être confiés à des techniciens certifiés pour valider toutes les garanties. Contacter le représentant local ou envoyer un courriel à sales@tripplite.com pour plus d'informations.

Entretien général de l'onduleur et des batteries

La zone autour de l'onduleur doit être gardée propre et exempte de poussière.

Pour une durée de vie complète des batteries, garder l'onduleur à une température ambiante de 25 °C (77 °F).

Remarque : La durée de vie utile varie en fonction de la fréquence d'utilisation et de la température ambiante. Les batteries utilisées au-delà de la durée de vie utile prévue donneront souvent lieu à une durée de fonctionnement considérablement réduite. Remplacer les batteries au moins tous les 5 ans pour permettre à l'appareil de fonctionner au maximum de son efficacité.

- L'onduleur fonctionne avec une tension dangereuse. Les réparations doivent être confiées uniquement à des techniciens de Tripp Lite certifiés.
- Même lorsque l'appareil est déconnecté du secteur, des composants potentiellement dangereux à l'intérieur de l'onduleur sont toujours connectés aux modules de batteries.
- Avant de procéder à tout type de service et/ou d'entretien, débrancher les batteries, puis vérifier l'absence de courant et qu'il n'existe aucune tension dangereuse au niveau des bornes des condensateurs à capacité élevée, comme les condensateurs BUS.
- Seuls des techniciens qualifiés prenant les mesures de sécurité requises peuvent remplacer les batteries et superviser les opérations. Les personnes non autorisées ne devraient pas effectuer l'entretien des batteries.
- Vérifier qu'aucune tension n'est présente entre les bornes des batteries et la mise à la terre avant de procéder à l'entretien ou à la réparation. Le circuit des batteries n'est pas isolé de la tension de sortie. Des tensions dangereuses peuvent être présentes entre les bornes des batteries et la mise à la terre.
- Les batteries peuvent présenter un risque de secousses électriques et avoir un courant élevé du court-circuit. Enlever toutes les montres, bagues et tous les autres objets métalliques personnels avant de procéder à l'entretien ou à la réparation, et utiliser uniquement des outils ayant un manche et des poignées isolées pour effectuer l'entretien ou la réparation.
- Au moment de remplacer les batteries, les remplacer avec le même type et le même nombre de batteries de même capacité.
- Ne pas tenter d'éliminer les batteries en les brûlant. Les batteries risqueraient d'exploser. Les batteries doivent être éliminées de manière appropriée conformément aux réglementations locales.
- Ne pas ouvrir ou détruire les batteries. Les électrolytes dégagés peuvent être toxiques et peuvent causer des blessures à la peau et aux yeux.
- Pour éviter les risques d'incendie, remplacer le fusible uniquement par un fusible de même type et de même ampérage.
- Ne pas démonter l'onduleur.

7. Entreposage et entretien

7.3 Batterie

Les onduleurs de la série S3M de Tripp Lite utilisent des batteries au plomb scellées. La durée de vie de la batterie dépend de la température de fonctionnement, de l'utilisation et de la fréquence de charge/décharge. Les environnements à température élevée et les fréquences élevées de charge/décharge réduisent rapidement la durée de vie de la batterie. Suivre les conseils ci-dessous pour garantir une durée de vie normale des batteries.

1. Garder la température de fonctionnement entre 0 et 40 °C (32 et 104 °F).
2. Pour une performance et une durée de vie optimales des batteries, les utiliser à une température régulée de 25 °C (77 °F).
3. Lorsque l'onduleur doit être stocké pendant une période prolongée, les batteries doivent être rechargées une fois tous les trois mois et la durée de charge doit être d'au moins 24 heures chaque fois.

7.4 Ventilateur

Des températures élevées réduisent la durée de vie des ventilateurs. Lorsque l'onduleur fonctionne, vérifier que tous les ventilateurs fonctionnent normalement et s'assurer que l'air peut se déplacer librement autour et dans l'onduleur. Si non, remplacer les ventilateurs.

Remarque : Contacter le soutien technique de Tripp Lite pour obtenir plus d'informations sur l'entretien. Ne pas effectuer de tâches de maintenance sans les qualifications nécessaires.

8. Caractéristiques techniques

Modèle	S3M25K	S3M30K	S3M50K	S3M60K	S3M80K	S3M100K
VUE D'ENSEMBLE						
Capacité	25 kVA/25 kW	30 kVA/30 kW	50 kVA/50 kW	60 kVA/60 kW	80 kVA/80 kW	100 kVA/100 kW
Topologie	Double conversion en ligne réelle; indépendante de la tension et de la fréquence (VFI)					
ENTRÉE						
Tension et phase	208/220 V (Ph-Ph); 120/127 V (Ph-N); triphasé, neutre et mise à la masse					
Plage de tension	-20 %, +25 % (Ph-Ph 166 à 260 V ou 176 à 275 V) à 100 % de charge; -40 %, +25 % (Ph-Ph 125 à 260 V ou 132 à 275 V) à < 50 % de charge					
Fréquence (plage)	50/60 Hz, sélectionnable (40 à 70 Hz)					
Facteur de puissance	≥ 0,99 (100 % de charge linéaire); ≥ 0,98 (50 % de charge linéaire)					
Distorsion harmonique	< 3 % THDi (100 % de charge)					
Entrée CA double	Oui					
Protection du retour	Oui					
SORTIE						
Tension et phase	208/220 V (Ph-Ph); 120/127 V (Ph-N); triphasé, neutre et mise à la masse					
Régulation de tension CA	±1 % de la valeur nominale (mode double conversion, mode convertisseur ou mode batterie); ±10 % de la valeur nominale (mode ECO)					
Facteur de puissance	1,0 (facteur de puissance de sortie unitaire)					
Fréquence	Sélectionnable ±1 %, ±2 %, ±4 %, ±5 %, ±10 % de l'entrée (par défaut : ±5 %)					
Régulation de la fréquence	±0,1 Hz (mode convertisseur ou mode batterie)					
Surcharge (mode CA)	Charge ≤ 110 % = 1 heure; charge ≤ 125 % = 10 min.; charge ≤ 150 % = 1 min.; charge >150 % = dérivation					
Facteur de crête	3:1 maximum					
Distorsion harmonique	≤ 2 % THD (100 % de charge linéaire); ≤ 5 % THD (100 % de charge non linéaire)					
Formes d'onde	Onde sinusoïdale pure					
Temps de transfert	0 ms (ligne ↔ batterie et inverseur ↔ dérivation); <8 ms (batterie ↔ ECO)					
Capacité en parallèle	Jusqu'à 5N=1 appareils pour une capacité accrue ou jusqu'à 6 pour une redondance					
BYPASS (dérivation)						
Plage de tension de dérivation	Limite supérieure : +10 %, +15 %, +20 % ou +25 % (par défaut : +20 %); limite inférieure : -10 %, -20 %, -30 % ou -40 % (par défaut : -40 %)					
Plage de fréquence de dérivation	±10 % (réglable)					
EFFICACITÉ						
Mode en ligne (100 % de charge)	jusqu'à 94 %					
Mode ECO (100 % de charge)	jusqu'à 98 %					
BATTERIE ET CHARGEUR						
La tension accepte CC	±120 V CC (nominal)					
Configuration des batteries	Externes seulement*	Externes seulement*	Externes seulement*	Externes seulement*	Externes seulement*	Externes seulement*
Nombre de batteries internes	Aucune	Aucun	Aucun	Aucun	Aucun	Aucune
Durée de fonctionnement (100 % de charge)	La durée de fonctionnement de l'onduleur dépend des charges connectées et du mode du module/de l'armoire de batteries. Consulter la page sur le modèle en visitant triplite.com pour les durées de fonctionnement.					
Durée de fonctionnement (50 % de charge)						
Modèles de modules (armoires) de batteries externes	*Consulter la section 3.9 Compatibilité du modèle de l'onduleur et de l'armoire.					
Intensité de charge (par défaut)	1 – 20 A (0,15 C)	2 – 20 A (0,15 C)	4 – 40 A (0,15 C)	4 – 40 A (0,15 C)	6 – 60 A (0,15 C)	8 – 80 A (0,15 C)
ENVIRONNEMENT (environnement)						
Température de fonctionnement	0 à 40 °C					
Température d'entreposage	-15 à 60 °C					
Humidité de fonctionnement	0 à 95 % (sans condensation)					
Altitude de fonctionnement	< 1 000 m (réduire la valeur nominale de la puissance de sortie de 1 % par 100 m au-dessus de 1 000 m.)					
Bruit audible à 1 m	< 65,4 dBA	< 67,8 dBA	< 72 dBA	< 72 dBA	< 74 dBA	< 75,6 dBA
Dissipation thermique (100 % de charge)	6 339 BTU/h	7 679 BTU/h	12 628 BTU/h	15 154 BTU/h	19 932 BTU/h	24 915 BTU/h
MANAGEMENT (gestion)						
Panneau d'affichage	Grand écran tactile de 12,7 cm (5 po) en plusieurs langues avec voyants à DEL supplémentaires					
Communications	Carte de gestion de réseau SNMP en option (WEBCARDLX) et trois ports MODBUS intégrés : RS-232, RS-485 (RJ45), USB. La carte de relais I/O est facultative.					
NORMES						
Sécurité	UL1778:2014 (5e édition); CAN/CSA-C22.2 No. 107.3-14 (3e édition)					
CEM/EMI	FCC Partie 15B Classe A					
En plus	ENERGY STAR 2.0, RETIE, indice de protection IP20; RoHS, testé ISTA 3B/vibration, choc et extrémité.					
PHYSIQUE						
Dimensions de l'appareil (H x l x P)	1 000 x 300 x 800 mm/ 39,4 x 11,8 x 31,5 po		1 200 x 442 x 850 mm/ 47,2 x 17,4 x 33,46 po		1 600 x 600 x 850 mm/ 62,99 x 23,62 x 33,46 po	
Poids de l'appareil	95 kg/209 lb	96 kg/212 lb	160 kg/353 lb	165 kg/364 lb	283 kg/624 lb	321 kg/708 lb

9. Garantie

Garantie d'usine limitée pour les onduleurs triphasés de Tripp Lite

Le vendeur garantit que ce produit, s'il est utilisé conformément aux spécifications du fabricant, comme spécifié dans le manuel de l'utilisateur, et à toutes les instructions applicables, comme vérifié par le service de mise en service de l'onduleur de Tripp Lite, est exempt de tous défauts de matériaux et de fabrication. La présente garantie s'applique à la période :

Type de produit	Région	
	États américains continentaux et Canada	Marchés internationaux (ne comprenant pas les États-Unis et le Canada)
Électronique de l'onduleur et batteries internes de l'onduleur	Un an à compter de la mise en service de l'onduleur Tripp Lite ou 18 mois à compter de l'expédition, selon le moindre des deux.	Deux ans à compter de la mise en service de l'onduleur Tripp Lite ou 30 mois à compter de l'expédition, selon le moindre des deux.
Batteries externes de l'onduleur	Un an à compter de la mise en service de l'onduleur Tripp Lite ou 18 mois à compter de l'expédition, selon le moindre des deux.	Un an à compter de la mise en service de l'onduleur Tripp Lite ou 18 mois à compter de l'expédition, selon le moindre des deux.

Si le produit s'avère défectueux en raison d'un vice de matériau ou de fabrication au cours de cette période, le vendeur s'engage à réparer ou remplacer les pièces défectueuses sans frais.

Le produit doit être mis en service par un technicien autorisé et approuvé de Tripp Lite et les documents de mise en service et d'entretien doivent être soumis à et approuvés par Tripp Lite pour que la présente garantie soit valide. Si le produit n'a pas été mis en service par un technicien en entretien autorisé de Tripp Lite, des pièces de rechange admissibles peuvent être fournies, mais des frais pour les pièces inadmissibles et des frais de main-d'œuvre peuvent s'appliquer, basés sur les prix des pièces et les taux des heures de travail et du matériel publiés par Tripp Lite.

La présente garantie ne s'applique pas aux batteries ou aux autres composants provenant d'ailleurs que chez Tripp Lite. La présente garantie n'est pas transférable et s'applique uniquement à l'utilisateur final original. La présente garantie ne s'applique pas aux autres extensions de garantie ou contrats de service de Tripp Lite, car ces produits disposent de leurs propres conditions. Le service sous cette garantie peut être uniquement obtenu en contactant le service à la clientèle de Tripp Lite :

- Pour les États-Unis et le Canada : écrire au service à la clientèle de Tripp Lite, 1111 W. 35th St., Chicago, IL 60609; appeler le +1 773 869-1234, envoyer un courriel à techsupport@tripplite.com ou visiter tripplite.com/support/help.
- Pour toutes les autres régions : appeler le +1 773 869-1313 ou envoyer un courriel à intlservice@tripplite.com.

CETTE GARANTIE NE S'APPLIQUE PAS À L'USURE NORMALE OU AUX DOMMAGES RÉSULTANT D'UNE MAUVAISE INSTALLATION, D'UNE MAUVAISE RÉPARATION, D'UNE MAUVAISE MODIFICATION, D'UN MAUVAIS DÉMARRAGE, D'UN MAUVAIS ENTRETIEN OU D'UN TEST PAR DU PERSONNEL NON DÉSIGNÉ PAR TRIPP LITE; D'UN ACCIDENT; D'UNE MAUVAISE UTILISATION; D'UNE NÉGLIGENCE; D'UNE TENSION ÉLECTRIQUE OU D'UNE CONNEXION INCORRECTE OU INADÉQUATE; DE CONDITIONS DE FONCTIONNEMENT SUR PLACE INAPPROPRIÉES; D'UNE ATMOSPHÈRE CORROSIVE; D'UN CHANGEMENT DE LIEU OU D'USAGE OPÉRATIONNEL; D'UNE EXPOSITION AUX ÉLÉMENTS; D'UN ABUS; D'UNE NÉGLIGENCE OU DE TOUTE AUTRE CAUSE AU-DELÀ DE L'UTILISATION PRÉVUE TEL QUE DÉTERMINÉ PAR TRIPP LITE. LE VENDEUR N'ACCORDE AUCUNE GARANTIE EXPRESSE AUTRE QUE LA GARANTIE EXPRESSÉMENT DÉCRITE DANS LE PRÉSENT DOCUMENT. SAUF DANS LA MESURE OÙ CELA EST INTERDIT PAR LA LOI EN VIGUEUR, TOUTE GARANTIE IMPLICITE, Y COMPRIS TOUTES LES GARANTIES DE QUALITÉ MARCHANDE OU D'ADAPTATION À UN USAGE PARTICULIER, SONT LIMITÉES À LA PÉRIODE DE GARANTIE CI-DESSUS ET CETTE GARANTIE EXCLUT EXPRESSÉMENT TOUTS DOMMAGES DIRECTS ET INDIRECTS. (États-Unis : certains États ne permettent pas de limitations sur la durée d'une garantie implicite, et certains États ne permettent pas l'exclusion ou la limitation des dommages fortuits ou consécutifs, de sorte que les limitations ou exclusions susmentionnées peuvent ne pas s'appliquer à vous. Cette garantie vous donne des droits légaux spécifiques, et vous pouvez avoir d'autres droits qui varient selon le territoire.

Numéros d'identification à la conformité réglementaire

À des fins de certification de conformité réglementaire et d'identification, un numéro de série unique a été attribué au produit Tripp Lite. Le numéro de série, ainsi que toutes les marques d'homologation et les renseignements requis, se trouvent sur la plaque signalétique du produit. Lors d'une demande de renseignements concernant la conformité de ce produit, toujours se reporter au numéro de série. Le numéro de série ne doit pas être confondu avec le nom de la marque ou le numéro de modèle du produit.

Renseignements sur la conformité à la directive DEEE pour les clients de Tripp Lite et les recycleurs (Union européenne)

 En vertu de la directive et des règlements d'application relatifs aux déchets d'équipements électriques et électroniques (DEEE), lorsque des clients achètent de l'équipement électrique et électronique neuf de Tripp Lite, ils ont droit :

- D'envoyer l'équipement usagé au recyclage pourvu qu'il soit remplacé par un équipement équivalent (cela varie selon les pays)
- D'envoyer le vieil équipement au recyclage en autant qu'il remplace un équipement équivalent (cela varie selon les pays)

La politique de Tripp Lite en est une d'amélioration continue. Les caractéristiques techniques sont modifiables sans préavis. Les produits réels peuvent différer légèrement des photos et des illustrations.



1111 W. 35th Street, Chicago, IL 60609 USA • tripplite.com/support