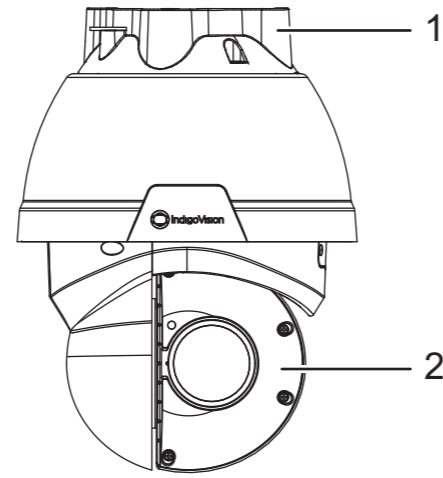


IR PTZ PTZ Range Quick Start Guide

PACKAGE CONTENTS



Camera

1. Top hat
2. Camera

Additional

- 1 x Ethernet coupler
- 1 x Amphenol cable
- 1 x Quick Start Guide
- 1 x Top hat securing screw
- 4 x M8 bolts

SAFETY NOTICES

Warning

- ⚠ Ensure the power supply is switched off, or that PoE power is disabled, during installation.
- ⚠ A falling camera can cause injury. During installation ensure the camera is attached securely to the surface.
- ⚠ Do not dismantle the device or attempt repairs yourself. Repairs must be done by IndigoVision representatives.
- ⚠ Ensure that the power supply conforms to the SELV (Safety Extra Low Voltage) safe level.
- ⚠ Risk of explosion if battery is replaced by an incorrect type. Dispose of used batteries according to the instructions.
- ⚠ Use of controls or adjustments or performance of procedures other than those specified herein may result in hazardous radiation exposure.

Caution

- ⚠ Handle the camera with care, supporting the body. Ensure that the main electronics and components are not damaged. Do not hold the camera by the cable bundle. Only transport, store and install in suitable environments.
- ⚠ For security reasons, you must change the camera's default password. Ensure each camera has a unique IP address.
- ⚠ Using the incorrect voltage or two power supplies at the same time can damage the camera. Ensure the correct voltage is used.
- ⚠ Do not aim the camera at strong light such as sunlight or electric lighting.
- ⚠ Ensure that you install the network cable in a location where it will not be trampled or crushed.
- ⚠ Incorrect installation may result in water ingress into the camera. Ensure you install the camera correctly to ensure the unit is watertight.
- ⚠ Cameras powered by PoE have been evaluated as network environment "0" (basic insulation) and are not intended for routing outside a common building. Cable runs for cameras should only be run within a common building.
- ⚠ The camera must be installed by qualified personnel and the installation should conform to all local regulations.

AVIS DE SÉCURITÉ

Avertissements

- ⚠ S'assurer que l'alimentation électrique est déconnectée ou que l'alimentation du PoE est désactivée pendant l'installation.
- ⚠ Une caméra qui tombe peut entraîner des blessures corporelles. Pendant l'installation, s'assurer que la caméra est fixée solidement à la surface.
- ⚠ Ne pas démonter l'appareil ou tenter d'y effectuer des réparations par vous-même. Les réparations doivent être effectuées par un représentant IndigoVision.
- ⚠ S'assurer que l'alimentation électrique correspond au niveau sécuritaire SELV (très basse tension de sécurité).
- ⚠ Risque d'explosion si la pile est remplacée par un type de pile incorrect. En ce qui concerne les piles usées, se conformer aux instructions du fabricant.
- ⚠ L'utilisation de commandes, instructions ou réglages autres que ceux spécifiés dans le présent document, présente un risque d'exposition dangereuse aux radiations.

Attention

- ⚠ Manipuler la caméra avec soin, en soutenant le boîtier. S'assurer que les principales pièces électroniques et composants ne sont pas endommagés. Ne pas tenir la caméra par le faisceau de câbles. Ne transporter, entreposer et installer que dans des environnements appropriés.
- ⚠ Pour des raisons de sécurité, vous devez modifier le mot de passe de la caméra, créé par défaut. S'assurer que chaque caméra dispose d'une adresse IP unique.
- ⚠ Utiliser la tension inappropriée ou deux blocs d'alimentation en même temps peut endommager la caméra. S'assurer que la tension utilisée soit correcte.
- ⚠ Ne pas viser la caméra vers une lumière forte comme la lumière du soleil ou un éclairage électrique.
- ⚠ S'assurer d'installer le câble réseau dans un emplacement où il ne sera pas piétiné ou écrasé.
- ⚠ Une installation incorrecte peut entraîner la pénétration d'eau dans la caméra. Assurez-vous d'installer la caméra correctement afin de garantir son étanchéité.
- ⚠ Les caméras alimentées par PoE ont été évaluées comme environnement réseau « 0 » (isolation de base) et ne sont pas prévues pour être utilisées à l'extérieur d'un bâtiment. Les conduites de câbles pour les caméras ne doivent être passées qu'à l'intérieur d'un bâtiment.
- ⚠ La caméra doit être installée par un personnel qualifié et l'installation doit être conforme à toutes les réglementations locales.

Document ID: IU-PTZ-MAN040-1

CONNECTIONS

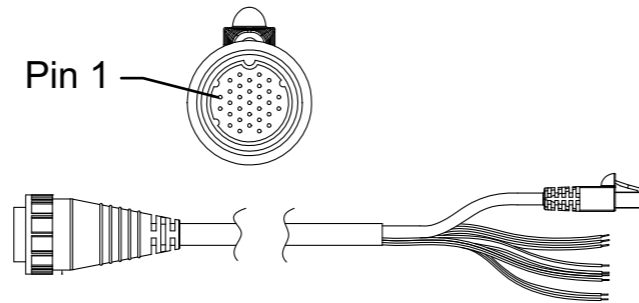


Table 1: Pin connections

Pin connector number	Description	Wire colour	Gauge
1-5 and 8-10	CAT5 Connector		
7	EARTH	Yellow/Green	18 AWG
6 and 11	Not used		
12	GND	Red/Green	26 AWG
13	Not used		
14	AUX-	Black	18 AWG
15 and 16	Not used		
17	BIO_IP1	White	26 AWG
18	BIO_IP2	Yellow	26 AWG

Pin connector number	Description	Wire colour	Gauge
19	AUX+	Red	18 AWG
20	BIO_RA2	Pink	26 AWG
21	Not used		
22	INPUT_AUDIO	White/Black	26 AWG
23	Not used		
24	Not used		
25	BIO_RA1	Grey	26 AWG
26	Not used		
27	Not used		
28	AUDIO_RTN	White/Violet	26 AWG
29	AUDIO_OUT	Violet	26 AWG
30	Not used		
31	Not used		



Bared ends of any unused connections on the cable bundle should be removed during installation and before powering up the camera.

COPYRIGHT © INDIGOVISION LIMITED. ALL RIGHTS RESERVED. INDIGOVISION, INDIGOULTRA, INDIGOPRO, INDIGOLITE, INTEGRA AND CYBERVIGILANT ARE REGISTERED TRADEMARKS OF INDIGOVISION LIMITED. CAMERA GATEWAY IS AN UNREGISTERED TRADEMARK OF INDIGOVISION LIMITED. ALL OTHER PRODUCT NAMES REFERRED TO IN THIS MANUAL ARE TRADEMARKS OF THEIR RESPECTIVE OWNERS.

THIS MANUAL IS PROVIDED WITHOUT EXPRESS REPRESENTATION AND/OR WARRANTY OF ANY KIND.

PLEASE CONTACT INDIGOVISION LIMITED (EITHER BY POST OR BY E-MAIL AT TECHNICAL.SUPPORT@INDIGOVISION.COM) WITH ANY SUGGESTED CORRECTIONS AND/OR IMPROVEMENTS TO THIS MANUAL.

CONTACT ADDRESS

CHARLES DARWIN HOUSE,
EDINBURGH TECHNOPOLE,
EDINBURGH, EH26 0PY, UK

FURTHER INFORMATION

FOR FURTHER INFORMATION, SEE THE PARTNER PORTAL:
[HTTPS://PARTNERS.INDIGOVISION.COM](https://partners.indigo.com)
ALTERNATIVELY, SCAN THE QR CODE BELOW.



REGULATORY

- EN 55032
- EN 61000-3-2
- EN 61000-3-3
- EN 50130-4
- EN 60068-2-1
- EN 60068-2-2
- EN 60068-2-27
- EN 60068-2-30
- EN 60068-2-6
- EN 60068-2-64
- EN 60529
- EN 62262
- FCC Part 15 Subpart B
- UL



Environment

Temperature:

- Operating: -40°C to +50°C (-40°F to 122°F)
- Cold start: -40°C (-40°F)
- Storage: 0°C to +50°C (32°F to 122°F)

Maximum humidity: 95%

1. POWERING UP THE CAMERA

The camera can be powered by either an auxiliary power supply or by using the IndigoVision High PoE Injector.

The camera can be powered by the following:

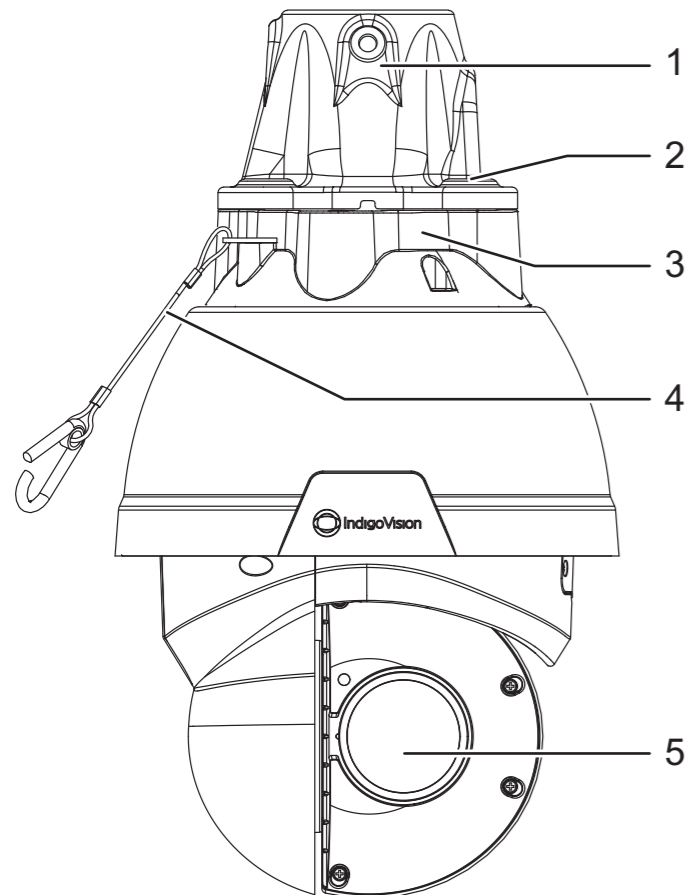
- IndigoVision High PoE Injector
- Auxiliary power supply
 - 24V AC – Camera has a maximum power usage of 60W
 - 30V DC – Camera has a maximum power usage of 42W

The camera should only be powered from the specified voltage.

A suitable power supply can be ordered separately (Part numbers: High PoE Injector 90W 130179, auxiliary 30V DC power supply 110100).

The camera is intended to be supplied by a UL listed power supply suitable for use at T_{ma}=50°C min. whose output meets SELV/ES1 and LPS/PS2, and is rated as one of the following:

- 24Vac, 50/60Hz or 50-60Hz, 2.09A min.
- 55Vdc, 0.91A min. (PoE).



2. CONFIGURING THE CAMERA

Configure the settings



By default, the camera uses a DHCP server.

► For more information, refer to the Web Configuration Guide for this camera.

1. Connect the camera to a PC using an Ethernet cable.
2. Navigate to the camera's default IP address using a web browser and set a secure password.
If the default password is required, enter 1234.
If you cannot connect to a DHCP server, enter the default network settings.

Default Username	Admin
Default IP Address	10.5.1.10
Default Subnet Mask	255.0.0.0
Default Gateway	10.0.0.1

3. Enter the NTP server and port on the **System > System** page.
4. Select the video standard for your region using the **TV System** option on the **Camera** page.
Choose a **PAL** option for countries with 50Hz power frequency or **NTSC** option for countries with 60Hz power frequency.
5. Enter a new IP address and subnet mask on the **System > Network > Basic** page.

Further configuration

After the IP address has been configured, you can also access the camera's configuration pages through IndigoVision Control Center.

1. In **Setup** view, select the camera you want to configure.
2. Select the **Configure** tab, and enter a valid user name and password if required.

Alarm I/O connections

The IR PTZ camera has two alarm inputs and one alarm output. These are connected using the Alarm IO connections on the camera (Table 1).

Alarm inputs

Alarm inputs are operated by connecting the inputs BIO_IP1 and BIO_IP2 directly to GND.

The input must be configured on the web configuration pages to ensure correct behavior.

Alarm outputs

The alarm output BIO_RA1 and BIO_RA2 is a solid state open collector output:

- Max load voltage: 30V DC/24V AC
- Max current carrying capacity: 700mA

The alarm output is not polarity sensitive. It can be configured to be normally open or normally closed using the web configuration pages.

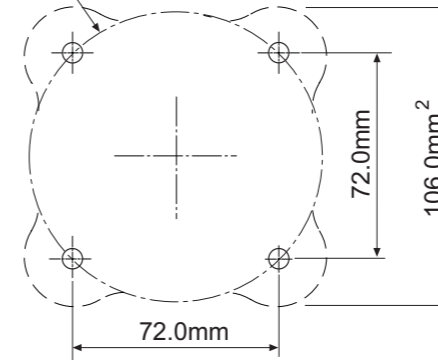
3. INSTALLATION

Fixing the mount

The IR PTZ camera can be fixed in place using a variety of different mounting arrangements. A wall, swan-neck, or vertical mount can be ordered separately.

Use the mount base as a template or use the profile to fit it to the mounting surface.

PCD = 4"
(Dia. 101.2mm)



Fitting the camera to the mount

1. Connect the safety lanyard (4) to the mount adapter (1).



Ensure the safety lanyard is secured correctly between the camera and mount. A falling camera may cause personal injury.

2. Run the cables through the mount, and connect them to the camera (5).
3. Secure the camera to the mount using the 4 x M8 bolts (2). Do not use an adhesive or silicone between the dome body and the mount adapter as this may trap moisture and affect the reliability of the product.

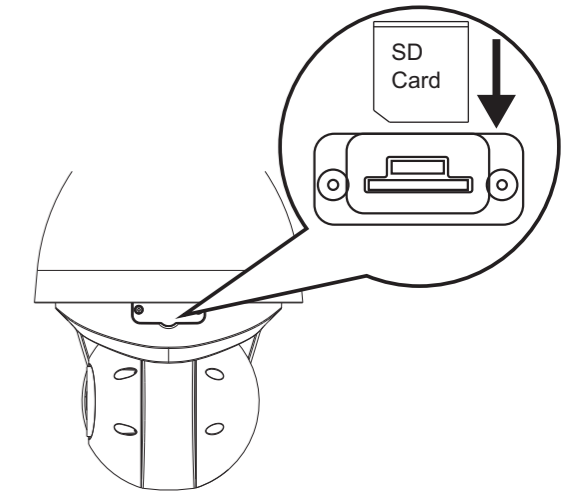
4. OPERATIONS

Installing the SD card

1. Ensure the device is switched off.
2. Undo the 2 screws and remove the SD Card cover.
3. Insert SD card into the slot.
4. Place the SD Card cover back on the device and tighten the 2 screws.



Ensure that the seal on the SD Card cover is fitted correctly before tightening down the screws. A poorly fitted cover will impact the IP rating of the camera.



Reset to factory defaults

You can reset the camera settings to factory defaults using the following methods:

Firmware factory restore

Click the **Full Restore** button on the **System > Factory Default** page.

Hardware factory restore

The **Reset** switch (DEFAULT) (7) is located on the base of the camera under the top hat (3).

1. Press the **Reset** switch (7) and hold for 10 seconds.

The camera will revert to the default factory settings.

