

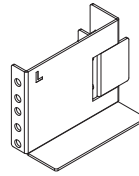


2-POST RACKMOUNT KIT INSTALLATION INSTRUCTIONS

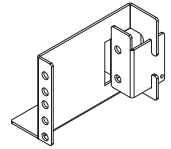
2POSTKIT

K01-0000935-00

UNPACKING



Rackmount left shelf



Rackmount right shelf



M5 cage nut (12)



M5X12L black
pan head screws (8)

2-POST RACKMOUNT KIT INSTALLATION INSTRUCTIONS

This manual contains important instructions that should be followed during installation of this 2-post rackmount kit (2POSTKIT) into 2-post rack, along with the placement of a UPS or other modules.

CAUTION! It is strongly recommended that the UPS or module be installed with the kit at the bottom of the rack.

CAUTION! Prior to installing the UPS or other module, remove internal batteries to reduce the weight of the UPS or other module. Refer to the battery replacement section in the related user manual for instructions.

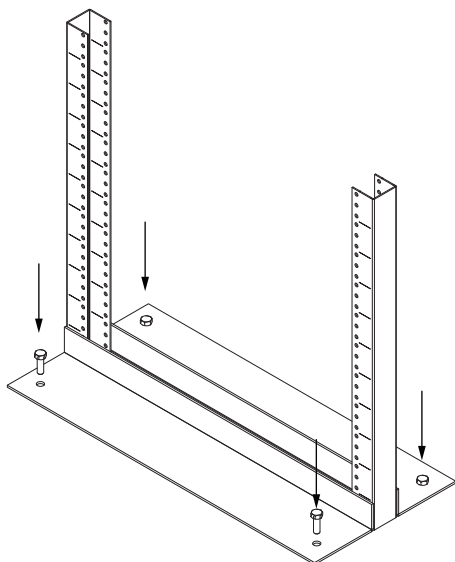
2-POST RACKMOUNT KIT INSTALLATION INSTRUCTIONS

CAUTION! It is strongly recommended to have an additional person assist with this installation process if the UPS or module is heavy.

CAUTION! It is strongly recommended that the 2 post rack be bolted to the floor prior to the installation of the UPS or module.

CAUTION! 2POSTKIT can be used with 1U, 2U, 3U, 4U, 5U and up equipment but the weight cannot exceed 202 lbs.

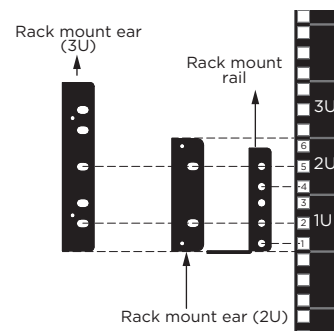
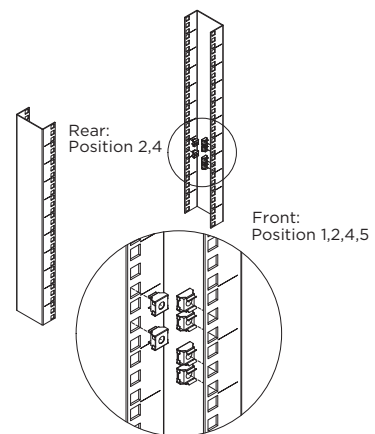
CAUTION! One kit needed for each UPS or module. The technician should not stack other UPS units or modules on top of the first unit or module without using any mounting hardware or additional 2-post kits.



INSTALLATION

Step 1: Position the unit in the rack

Select the proper holes in the rack for positioning the unit in the rack. Insert the cage nuts (Not needed for threaded rack)

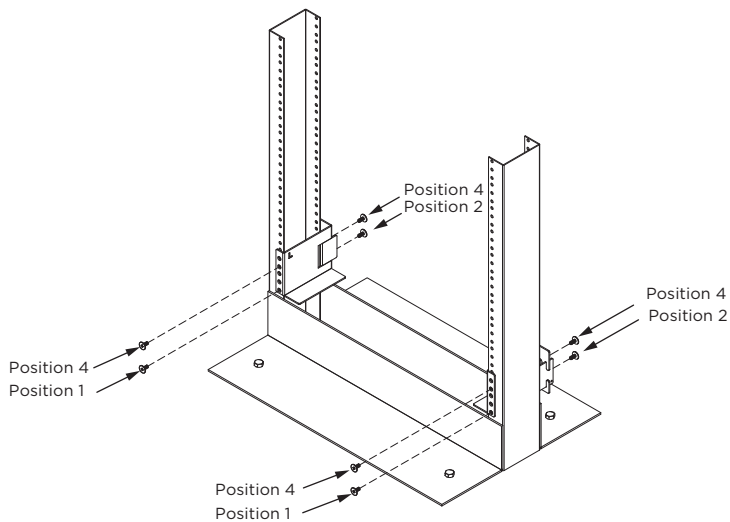


INSTALLATION

Step 2: Adjust rackmount kit to fit your rack and secure the kit

The mounting depth of the kit can adjust from 2.9 inches to 3.9 inches (7.4 cm to 10 cm).

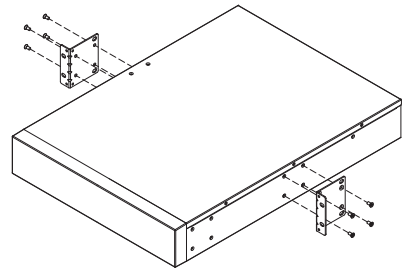
Adjust the depth to match your rack depth. Secure each rackmount kit to your rack with four screws at the front of the rack (square holes 1 and 4 as shown below). Secure the kit to the rear of the rack with four screws (square holes 2 and 4 as shown below).



INSTALLATION

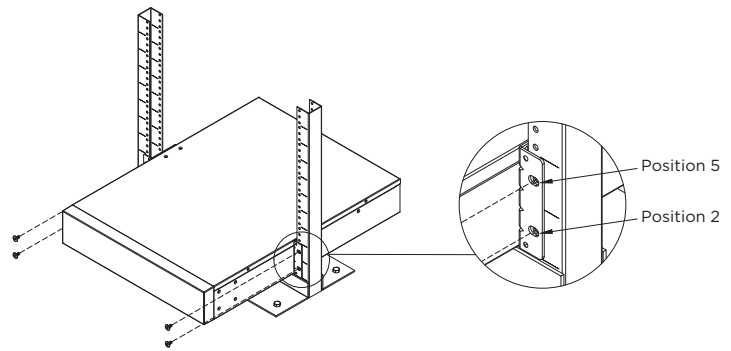
Step 3: Rackmount ears installation

If there is a dust cover on the side, remove it from screw hole. Attach the included rackmount ears to the center holes on the sides of the unit by using the screws as shown below.



Step 4: Secure the unit to the rack

Secure the unit to your rack with four screws at the front of the rack. (Holes 2 and 5 as shown below) Once completed, perform the same steps 1-4 for the other module.



COMPATIBILITY LIST FOR CYBERPOWER PRODUCT

OL1000RTXL2U, OL1000RTXL2UN, OL1500RTXL2U, OL1500RTXL2UN, OL2200RTXL2U, OL2200RTXL2UN, OL3000RTXL2U, OL3000RTXL2UN, OL3000RTXL2UHVN, OL5KRTHD, OL6KRTHD, OL8KRTHD, OL10KRTHD, OL1000ERTXL2U, OL1500ERTXL2U, OL2000ERTXL2U, OL3000ERTXL2U, OL5KERTHD, OL6KERTHD, OL8KERTHD, OL10KERTHD, OL6KRT, OL6KRTF, OL6KRTMB, OL6KRTMBTF, OL6KRTHW, OL8KRT, OL8KRTF, OL8KRTMB, OL8KRTMBTF, OL8KRTHW, OL10KRT, OL10KRTF, OL10KRTMB, OL10KRTMBTF, OL10KRTHW, OL6000ERT3U, OL6000ERT3UD, OL6000ERT3UP, OL8000ERT3U, OL8000ERT3UD, OL8000ERT3UP, OL10000ERT3U, OL10000ERT3UD, OL10000ERT3UP, OL5KSTF, OL6KSTF, OL10KSTF, OL6000RT3UTAA, OL6KRT2UTFHWIORTAA

PR750RT2U, PR1000RT2U, PR1500RT2U, PR2000RT2U, PR2200RT2U, PR3000RT2U, PR750RTXL2U, PR1000RTXL2U, PR1500RTXL2U, PR2000RTXL2U, PR2200RTXL2U, PR3000RTXL2U, PR2200RTXL2UA, PR3000RTXL2UA, PR2200RTXL2UHVA, PR3000RTXL2UHVA, PR1000RT2UN, PR1500RT2UN, PR2000RT2UN, PR2200RT2UN, PR3000RT2UN, PR1500RTXL2UN, PR2000RTXL2UN, PR2200RTXL2UN, PR3000RTXL2UN, PR2200RTXL2UAN, PR3000RTXL2UAN, PR2200RTXL2UHVAN, PR3000RTXL2UHVAN, PR750ERT2U, PR1000ERT2U, PR1500ERT2U, PR2000ERT2U, PR2200ERT2U, PR3000ERT2U, PR750ERTXL2U, PR1000ERTXL2U, PR1500ERTXL2U, PR2000ERTXL2U, PR2200ERTXL2U, PR3000ERTXL2U, PR2200ERTXL2UA, PR3000ERTXL2UA, PR2200ERTXL2UAN, PR3000ERTXL2UAN, PR1000RTXL2UTAA, PR1500RTXL2UTAA, PR2000RTXL2UTAA, PR3000RTXL2UTAA

BP36V60ART2U, BP72V60ART2U, BP144VL2U01, BP192VL2U01, BPE36V60ART2U, BPE72V60ART2U, BPE36V60ART2US, BPE72V60ART2US, BPE144VL2U01, BPE192VL2U01, BP240VL3U01, BP240VL3U02, BPE240V30ART3U, BPE240V50ART3U, BPE240V30ART3US, BPE240V50ART3US, BP48VP2U01, BP48VP2U02, BP48VP2U03, BP48VP2U02TAA

CyberPower®

Cyber Power Systems, Inc. | www.CyberPowerSystems.com

For USA and Canada | 4241 12th Ave East, Suite 400, Shakopee, MN 55379 | Toll-free: 877.297.6937

For all other regions | Please visit our website for local contact information.

Copyright © 2021 Cyber Power Systems, Inc. All rights reserved.