



PAD-CFCICC

Custom Flex Desk Clamp Mount

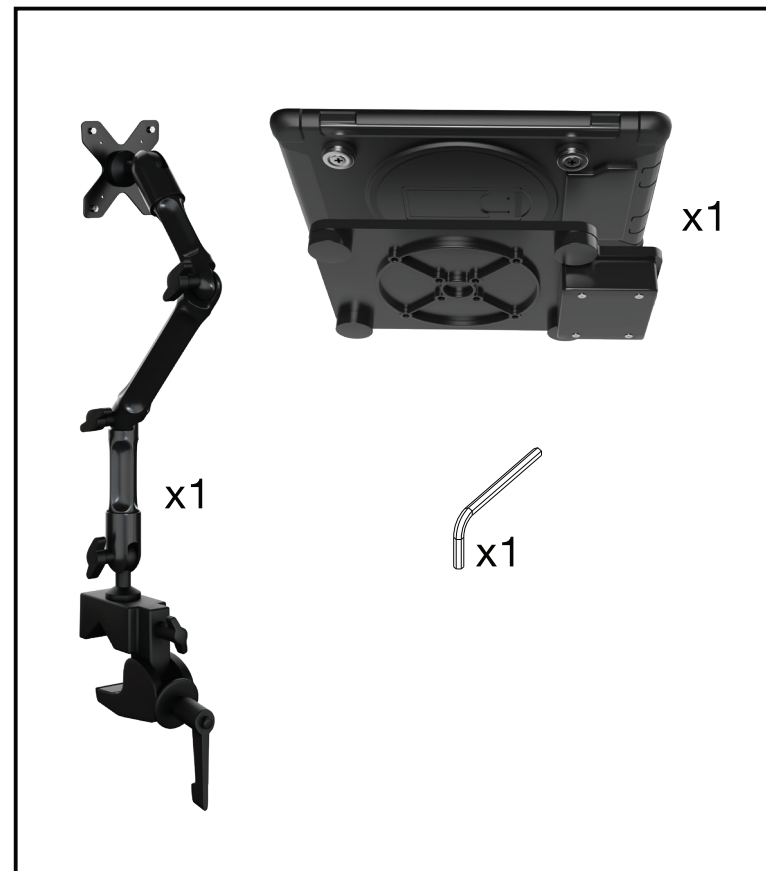
with Inductive Charging Case Kit

INSTRUCTION MANUAL

Thank you for choosing CTA Digital's product. We hope that you will enjoy using it. Please follow the guidelines and instructions as laid out in this instruction manual



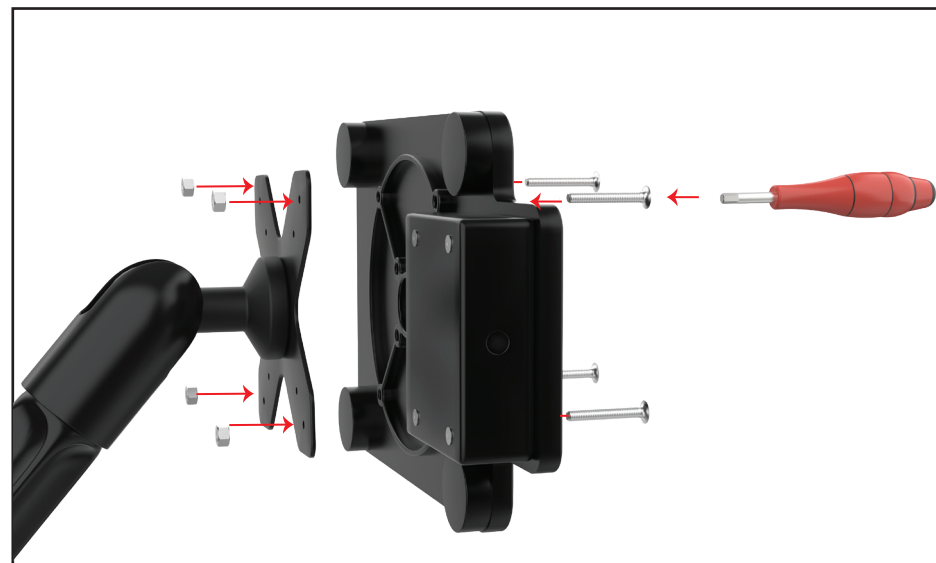
PACKAGE CONTENTS:



Caution
Please be sure to fasten all the screws were tightened securely while using the stand. Not for use while driving.
Max loading :1.5KGS
**TABLET IN PICTURES FOR EXAMPLE ONLY AND NOT INCLUDED

INSTRUCTIONS:

1. Combine nuts and bolts through VESA plate from the front & back as shown with provided tools



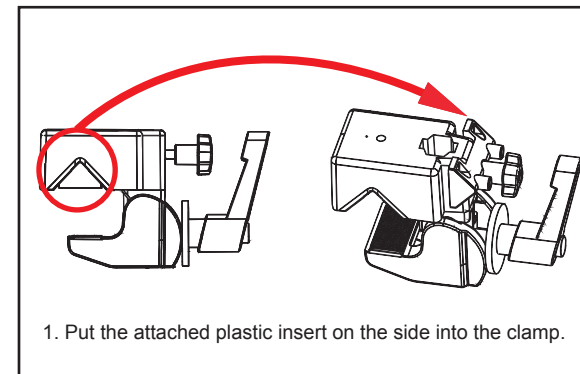
2. Place tablet into dock

Align the magnets. Make sure to align the battery pack to the battery pad on the right side so tablet will charge properly.

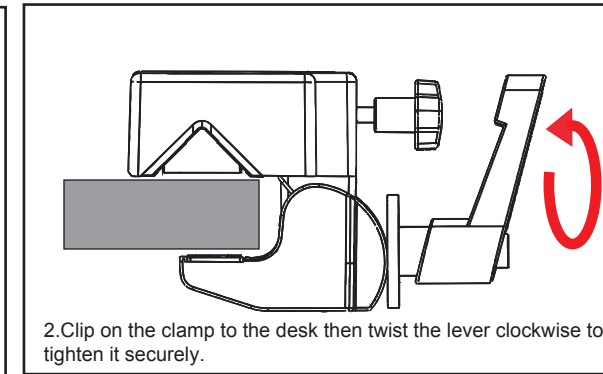


SUPPORT@CTADIGITAL.COM

3.Installing Custom Flex Security Desk Clamp Mount to the Desk

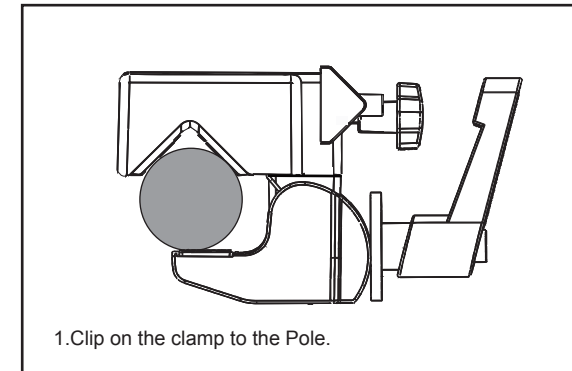


1. Put the attached plastic insert on the side into the clamp.

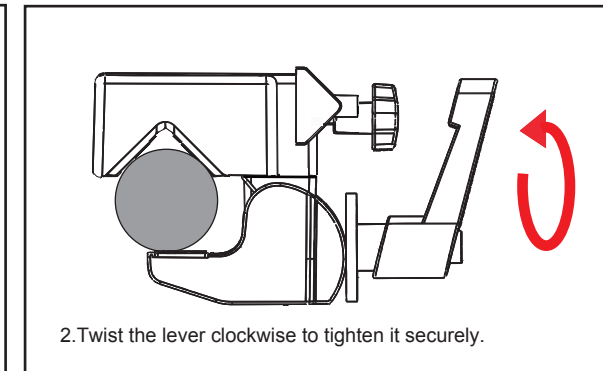


2. Clip on the clamp to the desk then twist the lever clockwise to tighten it securely.

4.Installing Custom Flex Security Desk Clamp Mount to a Pole

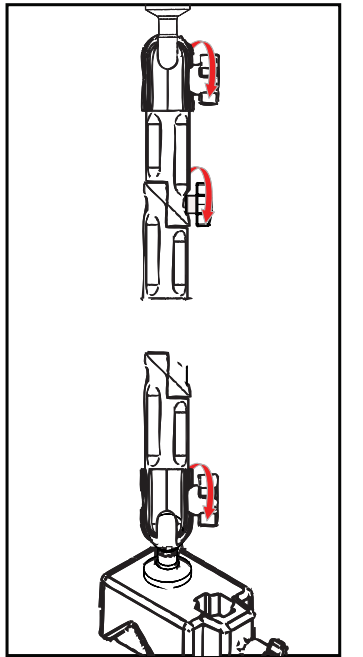


1. Clip on the clamp to the Pole.



2. Twist the lever clockwise to tighten it securely.

5.Adjusting the Flex Arm

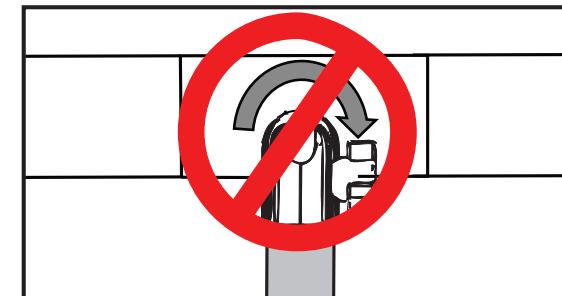


1. Twist the SCREW KNOB of the arms anticlockwise to release the connection.
2. Adjust the arms to your desired position and then tighten the screw knob clockwise.

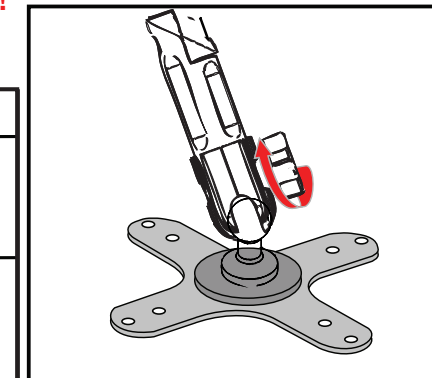
6.Adjusting any ball joints

CAUTION! PLEASE READ BEFORE USE!

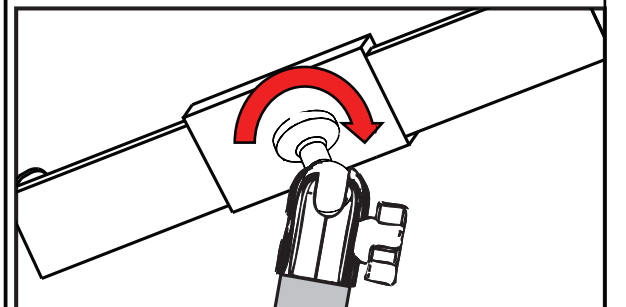
*Disclaimer - Ball Joint Warning



DO NOT attempt to adjust, tilt, or rotate any ball socket joints while it is fully tightened. Any such action will result in possible damage and loss of integrity of product functioning at full capacity. Manufacturer will not be responsible for any such actions by any person.



CAUTION: When adjusting the knob to control the positioning of the mount, you MUST loosen the knob before adjusting. If pressure is forced on the mount to move direction without loosening knob, damage could occur on the ball head.



CAUTION: When changing the position of the holder, you MUST loosen the knob before moving. If the knob is fully tightened during the movement of the holder, the coupler could break and mount could become damaged.

SUPPORT@CTADIGITAL.COM