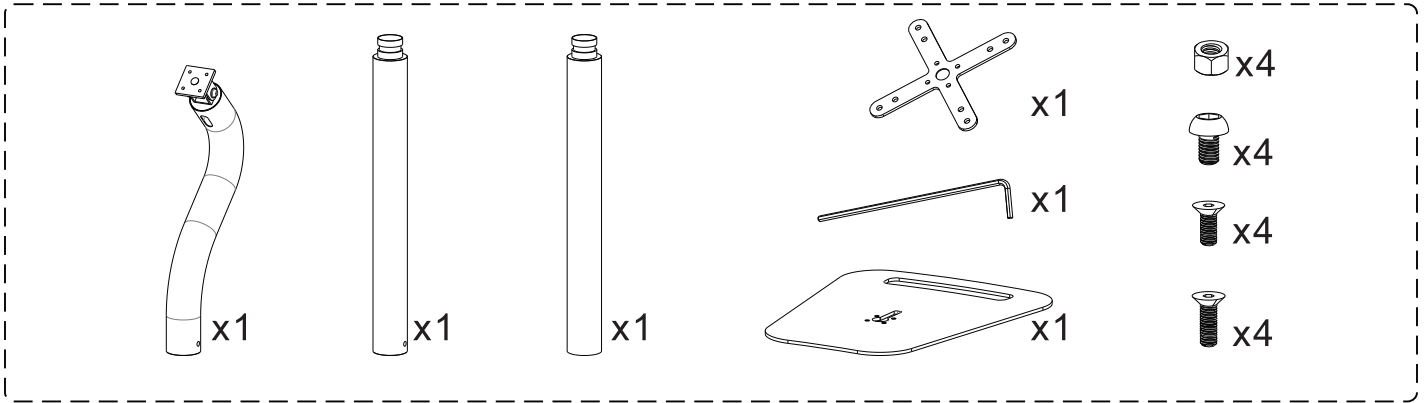




Premium Security Swan Neck Furniture Stand with VESA Plate

ADD-PARASW

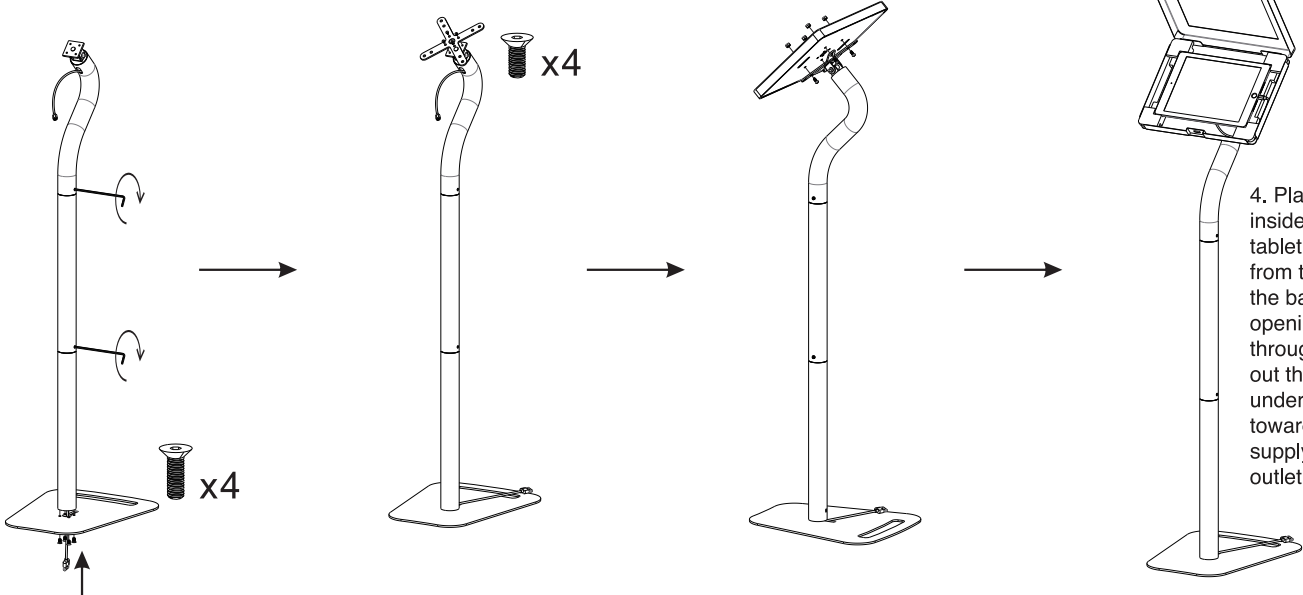
INSTRUCTION - MANUAL



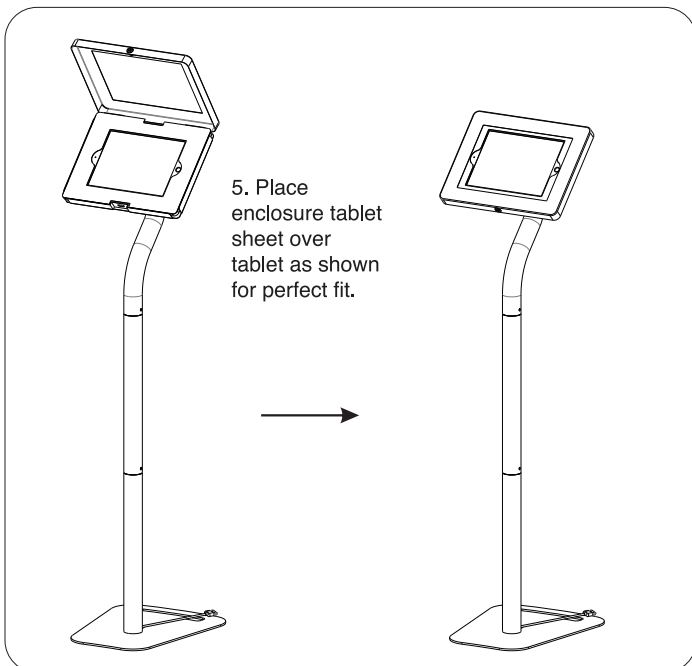
1. Using the provided tool, screw in all the different body segments and the base as shown below.

2. Screw in VESA with screws and tool provided as shown below.

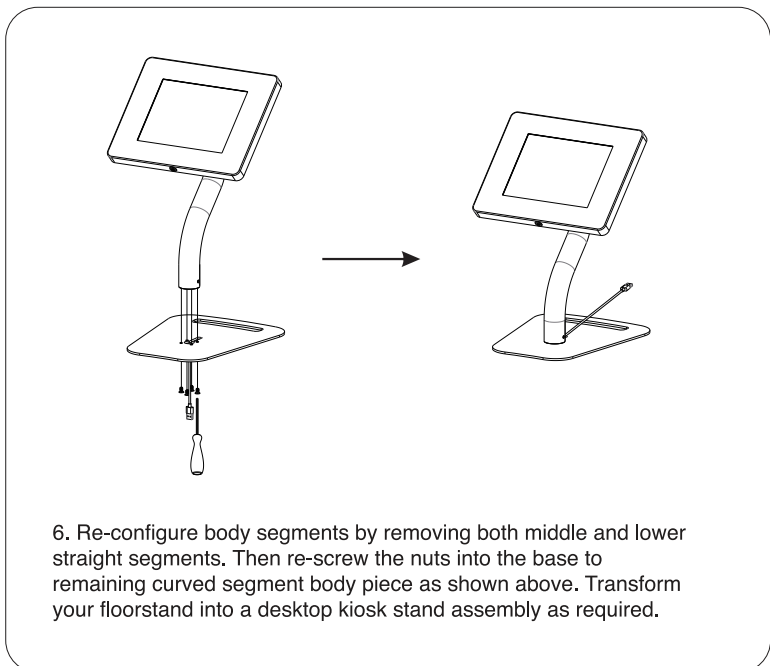
3. Screw in enclosure as shown below.



4. Place tablet inside. Set up tablet power cord from tablet and out the back enclosure opening. Wire through body and out the base hole underneath towards power supply / power outlet.



5. Place enclosure tablet sheet over tablet as shown for perfect fit.



6. Re-configure body segments by removing both middle and lower straight segments. Then re-screw the nuts into the base to remaining curved segment body piece as shown above. Transform your floorstand into a desktop kiosk stand assembly as required.