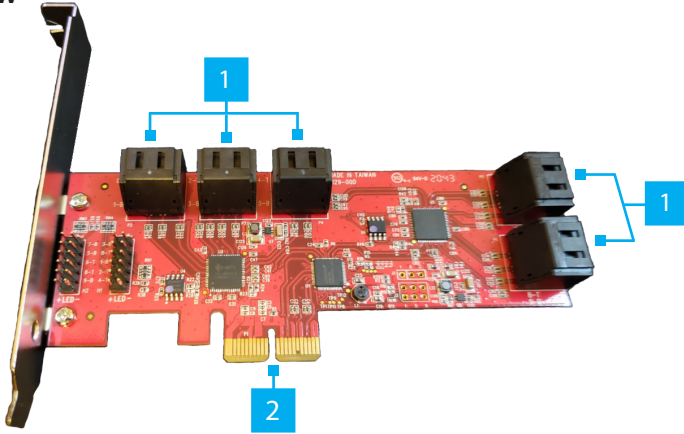


## 10 Port SATA 6Gbps PCIe Controller Card

### Product Diagram (10P6G-PCIE-SATA-CARD)

#### Front View



Port	Function
1	SATA Ports x 10 <ul style="list-style-type: none"> <li>Connect <b>SATA Storage Devices</b> to the <b>PCIe SATA Card</b> using a <b>SATA Cable</b></li> </ul>
2	PCIe x2 Connector <ul style="list-style-type: none"> <li>Connect the <b>PCIe SATA Card</b> to the <b>PCIe Slot</b> in the <b>Computer</b></li> </ul>

### Product Information

For the latest product information, technical specifications, manuals, and Declarations of Conformance, please visit:  
[www.startech.com/10P6G-PCIE-SATA-CARD](http://www.startech.com/10P6G-PCIE-SATA-CARD).

### Package Contents

- PCIe SATA Card x 1
- Full-Profile Bracket (Installed) x 1
- Low-Profile Bracket x 1
- Quick-Start Guide x 1

### Requirements

- Computer with an available PCIe slot (x4/8/16)
- Phillips Head Screwdriver
- SATA Cables

### Hardware Installation

**Warning:** *PCIe Cards* can be damaged by static electricity. Make sure that the **Installer** is properly grounded before they open the **Computer Case** or touch the **PCIe SATA Card**. The **Installer** should wear an **Anti-Static Strap** when installing any computer component. If an **Anti-Static Strap** is not available, discharge any built-up static electricity by touching a large **Grounded Metal Surface** for several seconds. Only handle the **PCIe SATA Card** by its edges and do not touch the gold connectors.

#### Installing the Low-Profile Bracket

By default the **Full-Profile Bracket** is attached to the **PCIe SATA Card**. Depending on the system configuration it may be necessary to remove the **Full-Profile Bracket** to replace with the **Low-Profile Bracket** (included).

1. Remove the 2x **Phillips Head Screws** securing the **Full-Profile Bracket**, using a **Phillips Head Screwdriver**.
2. Remove the **Full-Profile Bracket** and replace with the **Low-Profile Bracket** (included).
3. Install the 2x **Phillips Head Screws** removed in step 1 and tighten, using a **Phillips Head Screwdriver**.

#### Installing the Card

1. Turn off the **Computer** and any **Peripheral Devices** that are connected (e.g. printers, external hard drives, etc.).
2. Unplug the **Power Cable** from the rear of the **Computer** and disconnect any **Peripheral Devices** that are connected.
3. Remove the **Cover** from the **Computer Case**.
 

**Note:** Consult the documentation that came with the **Computer** for details about how to do this safely.
4. Locate an open **PCIe Slot** (x4/8/16) and remove the corresponding **Metal Cover Plate** from the rear of the **Computer Case**. In most instances, the **Metal Cover Plate** is attached to the rear of the **Computer Case** with a single **Phillips Head Screw**. Save this **Phillips Head Screw** for the next step.
5. Gently insert the **PCIe SATA Card** into the open **PCIe Slot** (x4/8/16) and fasten the **Bracket** to the rear of the **Computer Case**, using the **Phillips Head Screw** from step 4.
6. Connect a maximum of 10 **SATA Storage Devices** to the **SATA Ports** of the **PCIe SATA Card** using **SATA Cables**.
7. Replace the **Cover** from the **Computer** that was removed in step 3.
8. Reconnect all of the **Peripheral Devices** that were disconnected in step 2.
9. Reconnect the **Power Cable** to the rear of the **Computer**.

### FCC Compliance Statement

This equipment has been tested and found to comply with the limits for a Class B digital device, pursuant to part 15 of the FCC Rules. These limits are designed to provide reasonable protection against harmful interference in a residential installation. This equipment generates, uses and can radiate radio frequency energy and, if not installed and used in accordance with the instructions, may cause harmful interference to radio communications. However, there is no guarantee that interference will not occur in a particular installation. If this equipment does cause harmful interference to radio or television reception, which can be determined by turning the equipment off and on, the user is encouraged to try to correct the interference by one or more of the following measures:

- Connect the equipment into an outlet on a circuit different from that to which the receiver is connected.
- Consult the dealer or an experienced radio/TV technician for help

This device complies with part 15 of the FCC Rules. Operation is subject to the following two conditions:

(1) This device may not cause harmful interference, and (2) this device must accept any interference received, including interference that may cause undesired operation. Changes or modifications not expressly approved by StarTech.com could void the user's authority to operate the equipment.

### Industry Canada Statement

This Class B digital apparatus complies with Canadian ICES-003.

Cet appareil numérique de la classe [B] est conforme à la norme NMB-003 du Canada.

CAN ICES-3 (B)/NMB-3(B)

This device complies with Industry Canada licence-exempt RSS standard(s). Operation is subject to the following two conditions: (1) This device may not cause interference, and (2) This device must accept any interference, including interference that may cause undesired operation of the device.

Le présent appareil est conforme aux CNR d'Industrie Canada applicables aux appareils radio exempts de licence. L'exploitation est autorisée aux deux conditions suivantes:

(1) l'appareil ne doit pas produire de brouillage, et (2) l'utilisateur de l'appareil doit accepter tout brouillage radioélectrique subi, même si le brouillage est susceptible d'en compromettre le fonctionnement.

### Use of Trademarks, Registered Trademarks, and other Protected Names and Symbols

This manual may make reference to trademarks, registered trademarks, and other protected names and/or symbols of third-party companies not related in any way to StarTech.com. Where they occur these references are for illustrative purposes only and do not represent an endorsement of a product or service by StarTech.com, or an endorsement of the product(s) to which this manual applies by the third-party company in question. StarTech.com hereby acknowledges that all trademarks, registered trademarks, service marks, and other protected names and/or symbols contained in this manual and related documents are the property of their respective holders. PHILLIPS® is a registered trademark of Phillips Screw Company in the United States or other countries.

### Warranty Information

This product is backed by a 2-year warranty.

For further information on product warranty terms and conditions, please refer to [www.startech.com/warranty](http://www.startech.com/warranty).

### Limitation of Liability

In no event shall the liability of StarTech.com Ltd. and StarTech.com USA LLP (or their officers, directors, employees or agents) for any damages (whether direct or indirect, special, punitive, incidental, consequential, or otherwise), loss of profits, loss of business, or any pecuniary loss, arising out of or related to the use of the product exceed the actual price paid for the product. Some states do not allow the exclusion or limitation of incidental or consequential damages. If such laws apply, the limitations or exclusions contained in this statement may not apply to you.

### Safety Measures

- If product has an exposed circuit board, do not touch the product under power.

### Mesures de sécurité

- Si l'un des circuits imprimés du produit est visible, ne pas touchez le produit lorsqu'il est sous tension.

### 安全対策

- 製品に露出した状態の回路基盤が含まれる場合、電源が入っている状態で製品に触らないでください。

### Misure di sicurezza

- Se il prodotto ha un circuito stampato visibile, non toccare il prodotto quando è acceso.

### Säkerhetsåtgärder

- Rör aldrig vid enheter med oskyddade kretskort när strömmen är påslagen.

### StarTech.com Ltd.

45 Artisans Crescent  
London, Ontario  
N5V 5E9  
Canada

### StarTech.com LLP

4490 South Hamilton  
Road  
Groveport, Ohio  
43125  
U.S.A.

### StarTech.com Ltd.

Unit B, Pinnacle 15  
Gowerton Road  
Brackmills,  
Northampton  
NN4 7BW  
United Kingdom

### StarTech.com Ltd.

Siriusdreef 17-27  
2132 WT Hoofddorp  
The Netherlands

FR: [startech.com/fr](http://startech.com/fr)  
DE: [startech.com/de](http://startech.com/de)  
ES: [startech.com/es](http://startech.com/es)  
NL: [startech.com/nl](http://startech.com/nl)  
IT: [startech.com/it](http://startech.com/it)  
JP: [startech.com/jp](http://startech.com/jp)