

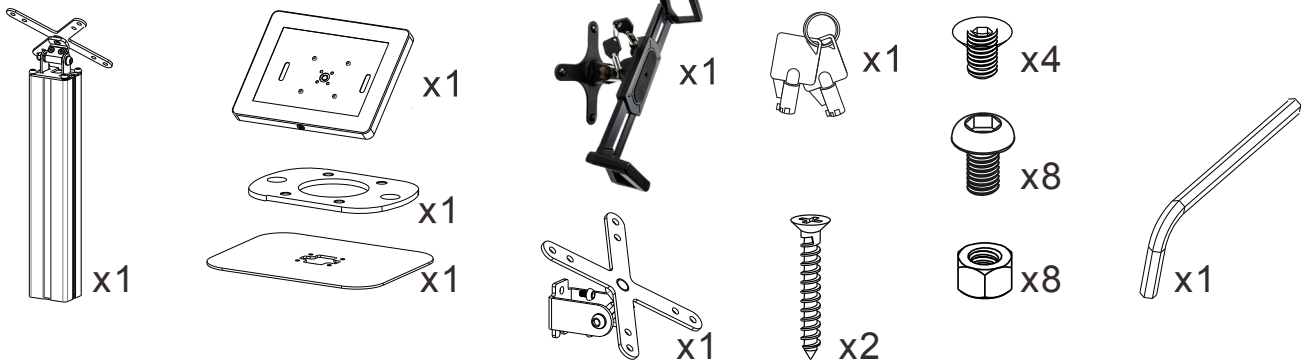


Adjustable Table Mount with Universal Security Holder & Universal Security Enclosure

PAD-VPOS2BC

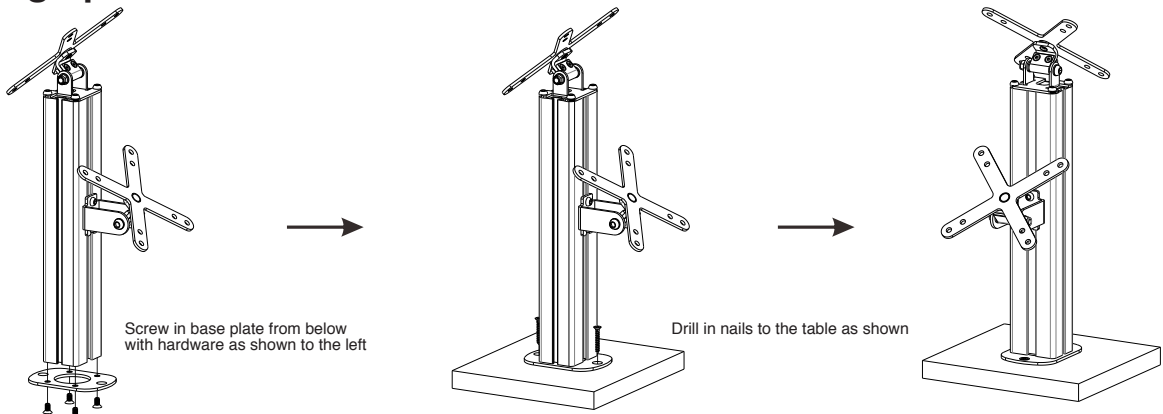
INSTRUCTION - MANUAL

Contents:

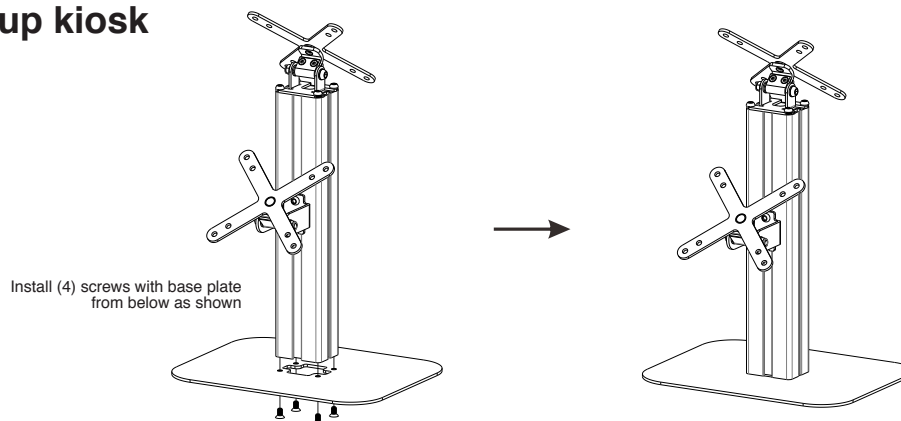


Instructions:

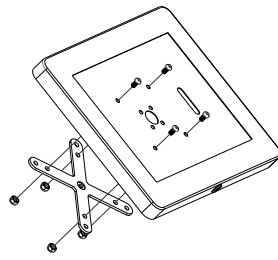
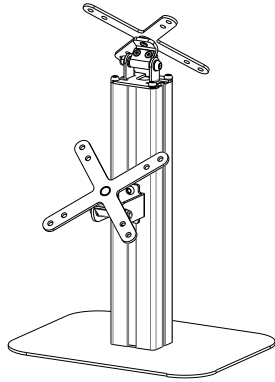
1a. Setting up drill mount



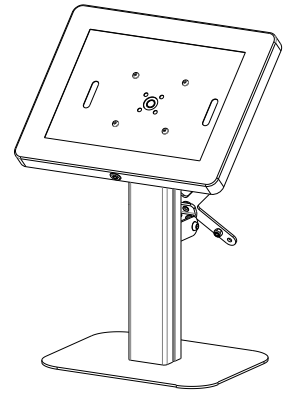
1b. Setting up kiosk



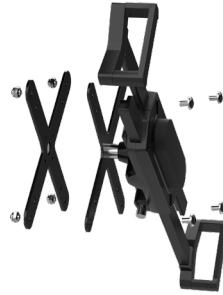
2. Installing Enclosure



Screw in (4) screws from the front through the enclosure and VESA while holding the hex nuts from behind until secured and tightened (Shown Above)



**TABLETS NOT INCLUDED

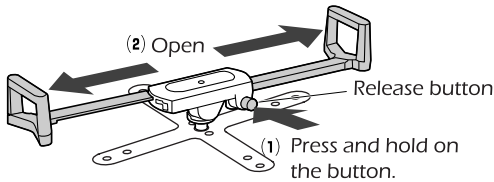


Using the provided tool screw in (4) screws from the front around the security holder and hold the hex nuts from behind with fingers until secured and tightened (Shown Above)

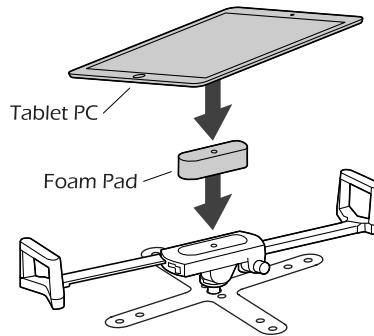


3. Inserting Tablet into Security Holder

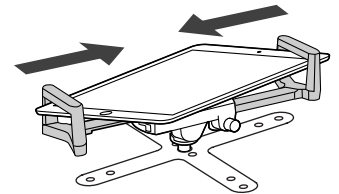
1. Press and hold on the release button to unlock the frame. Expand holder to fit your tablet from corner to corner.



2. Install the tablet into the holder
**TABLETS NOT INCLUDED

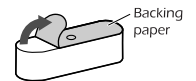


3. Adjust the holder to fit your tablet and retract to securely fit around the corners of your tablet.

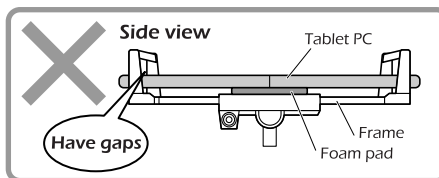
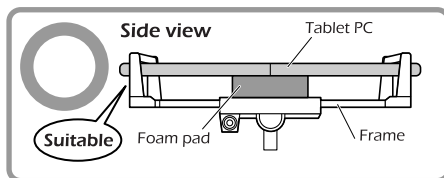
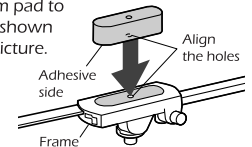


Paste method

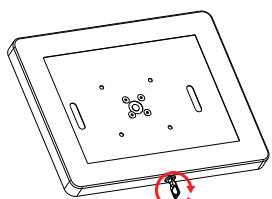
1. Tear off the backing paper on the foam pad.



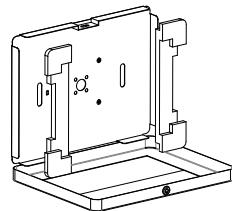
2. Stick the foam pad to the frame as shown in the right picture.



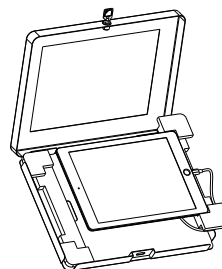
4. Inserting Tablet into Enclosure



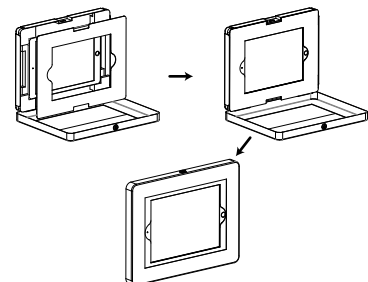
1. Unlock the tablet enclosure by rotating the key until it pop opens



2. Find the appropriate size foam padding (included) for the tablet you wish to use. Make sure device is compatible for the enclosure



3. Lay your device in and connect any cables or cords you have



4. If needed, make sure to lay-in the correct masking cover. Then close and lock the enclosure and you're ready to go.