

Kensington®



A1020 Boom Arm



Ax1



Bx1



Cx1



Dx1



Ex1



Fx1

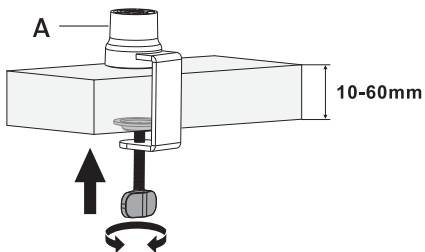


Gx1

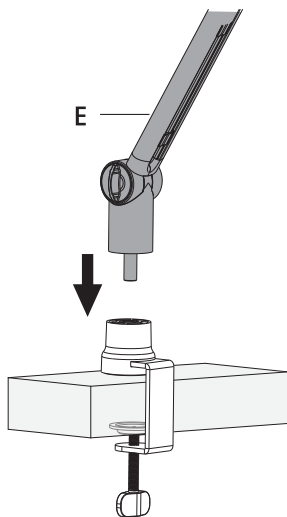


[kensington.com/register](https://www.kensington.com/register)

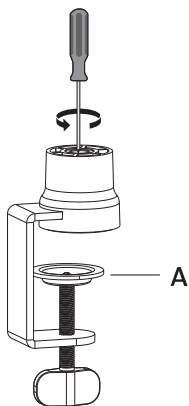
1 a1



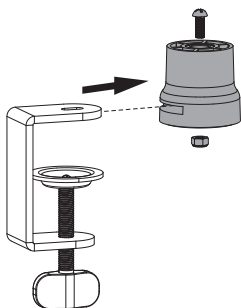
a2



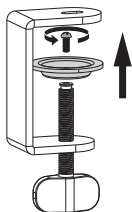
1 **b1**



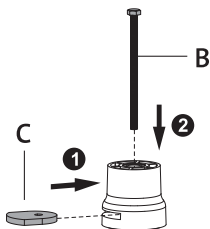
b2



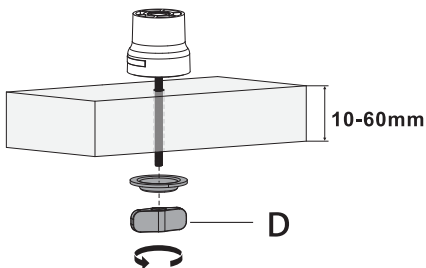
b3



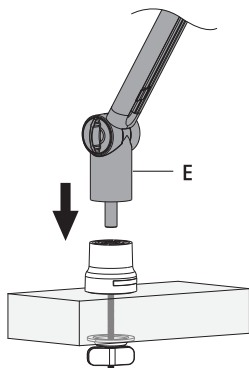
b4



b5

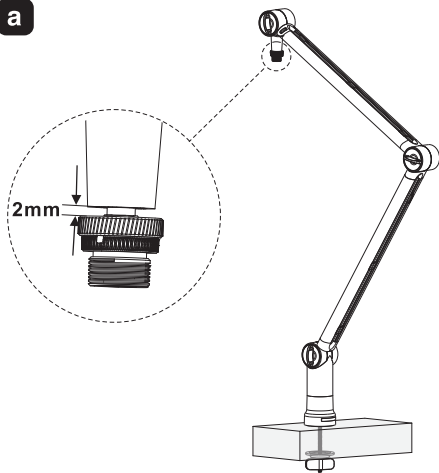


b6

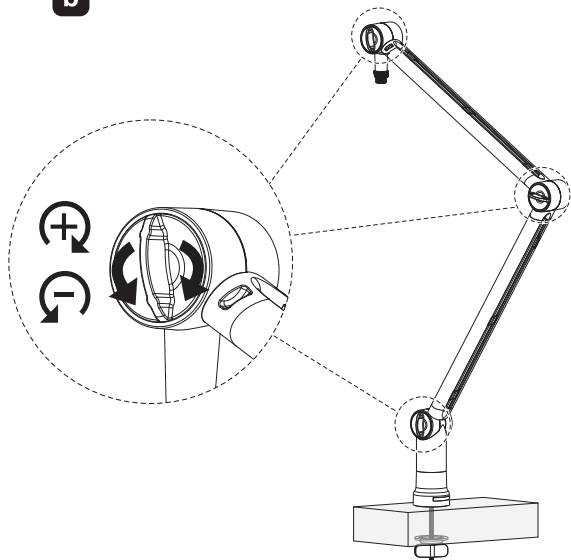


2

a



b



www.kensington.com/support

Kensington and the ACCO name and design are registered trademarks of ACCO Brands. All other registered and unregistered trademarks are the property of their respective owners. ©2021 Kensington Computer Products Group, a division of ACCO Brands.



K87652WW

901-7338-00