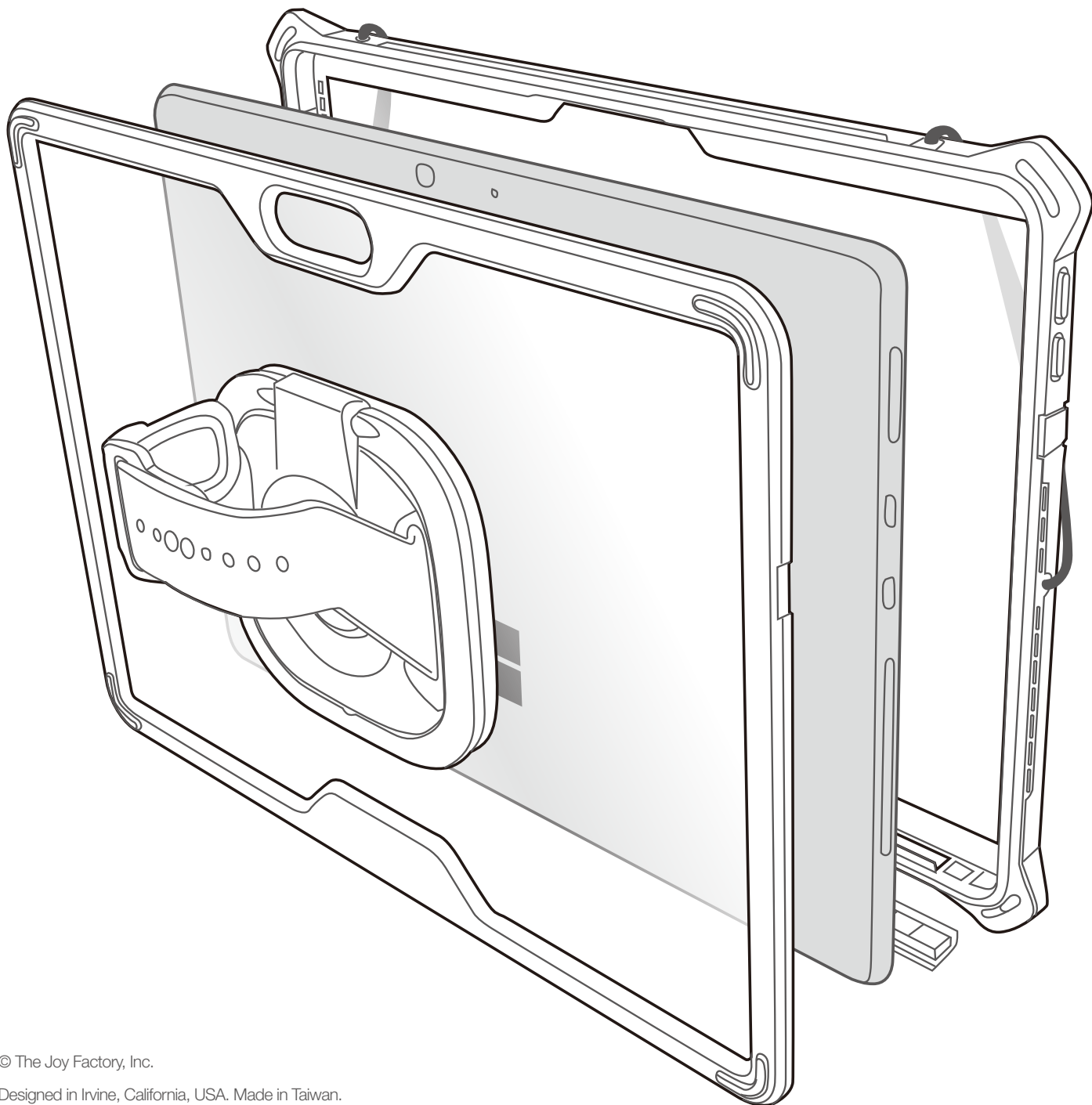


action[®] *edge+ MP*

Installation Guide



© The Joy Factory, Inc.

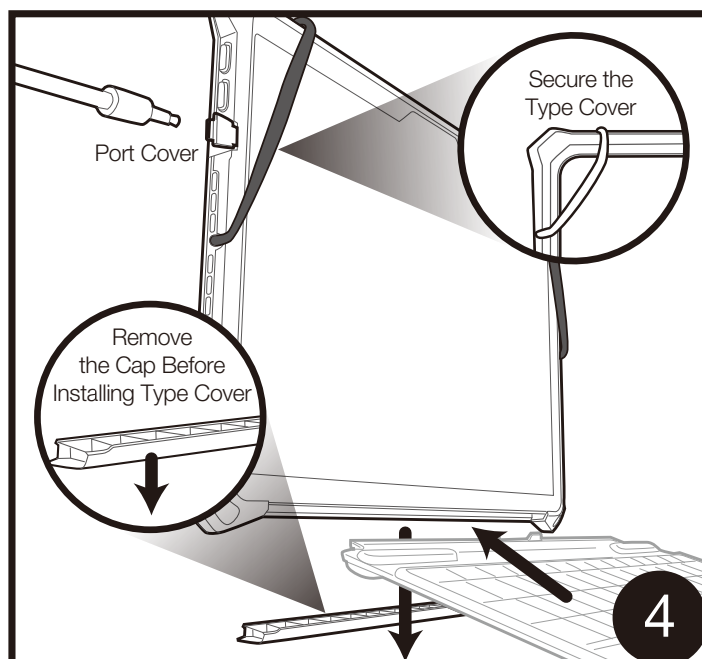
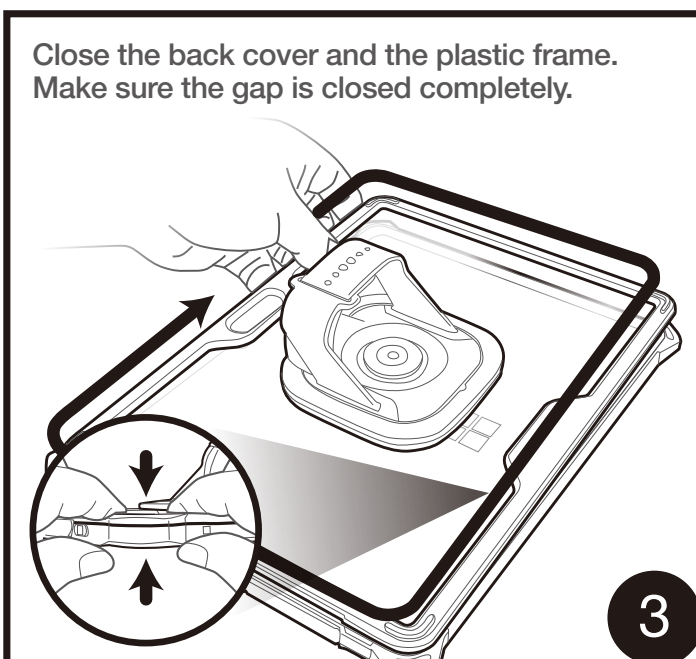
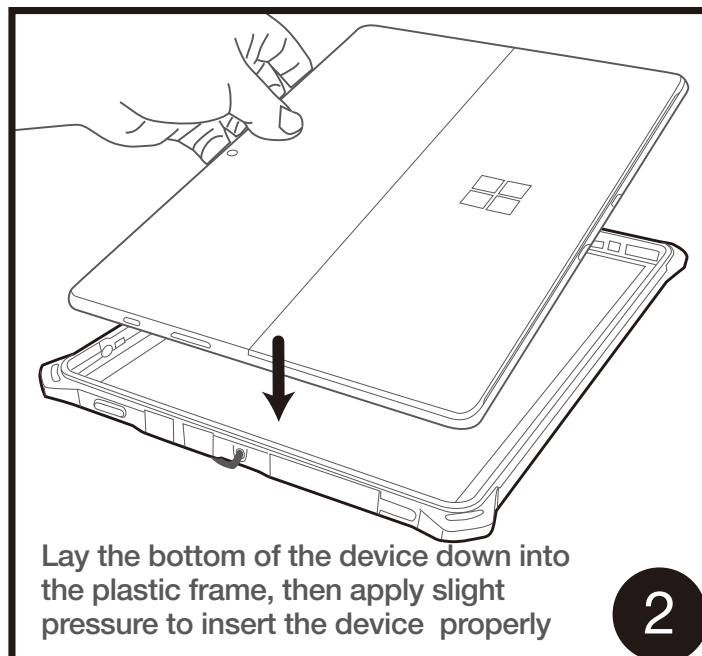
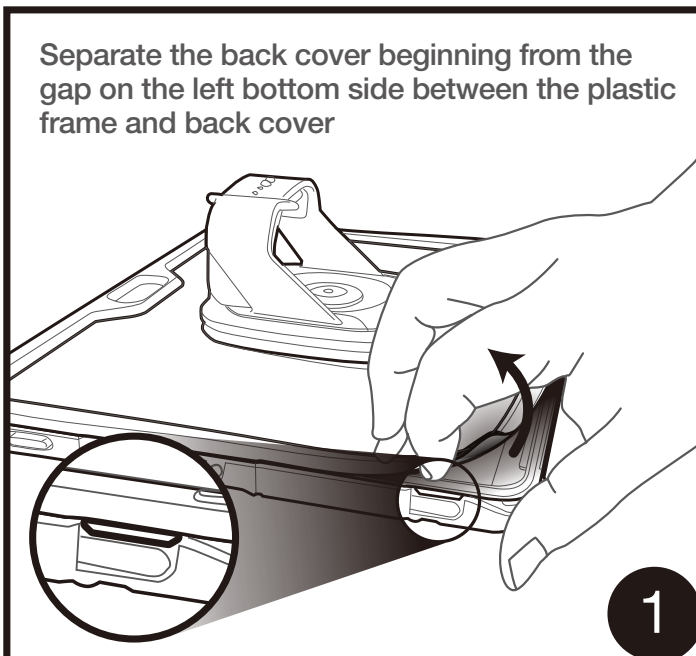
Designed in Irvine, California, USA. Made in Taiwan.
Reproduction in whole or in part is prohibited. All other trademarks
are the properties of their respective owners.

action® edge+ MP

Installation Guide

Guide d'installation

ご利用ガイド



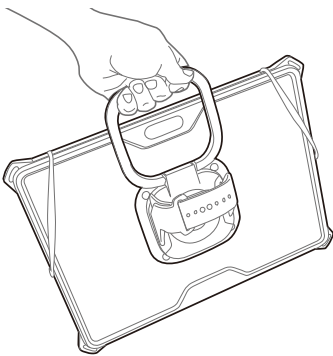
aXtion® VESA MP Module



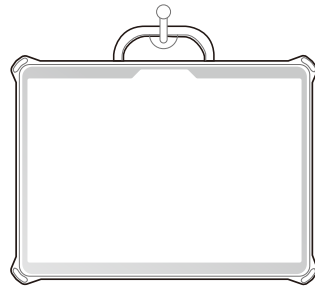
**360° Rotating
Hand Strap**



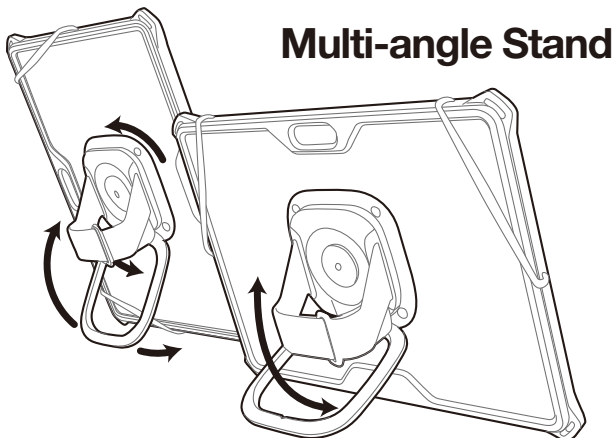
**MagConnect
Mount
Compatible**



Carrying Handle



Hanging Notch



Multi-angle Stand



Cleaning Instructions for aXtion Edge

We recommend cleaning the case after every use cycle. Most hospital-grade disinfectant wipes with high alcohol concentrate are safe to use on the **aXtion Edge** case. A few that we recommend are:

- Sani-Cloth AF3
- Super Sani-Cloth
- Cavi-Wipes
- Clorox Healthcare Bleach Germicidal Wipes
- Oxivir TB

Follow these steps:

1. Clean the back cover with a hospital-grade wipe, using a small stroking motion. Pay special attention to the crevices.
2. Use a new hospital-grade wipe to clean the front cover and screen protector.
3. Let the case air dry before using.

Internal cleaning may be done as needed following these steps

1. Remove the tablet from the case and set aside.
2. Clean the inside back cover with a hospital-grade wipe, using a small stroking motion. Pay special attention to the crevices.
3. Use a new hospital-grade wipe to clean the inside front cover and screen protector.
4. Let the case air dry before putting the tablet into the case.

* Hospital-grade disinfectant wipes may have more detailed instructions for use. Please refer to the manufacturer's instructions.

* These instructions are **only** for cleaning cases by The Joy Factory. To clean the tablet, please refer to the manufacturer's instructions.

Contact us | support@thejoyfactory.com