



Boldly Creative



Expert Customer Service

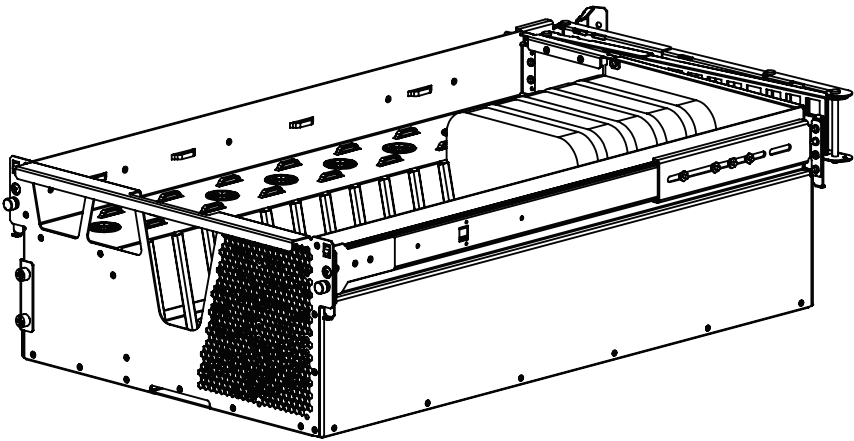


Focus On Quality



Ships Same Day

HyperShelf Series



Installation Instructions

Kit Contents

Kit Contents:

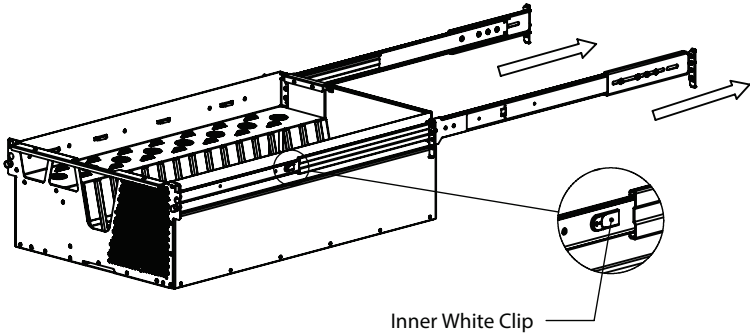
- (1) HyperShelf
- (1) Cable Management Bar

Mounting Hardware:

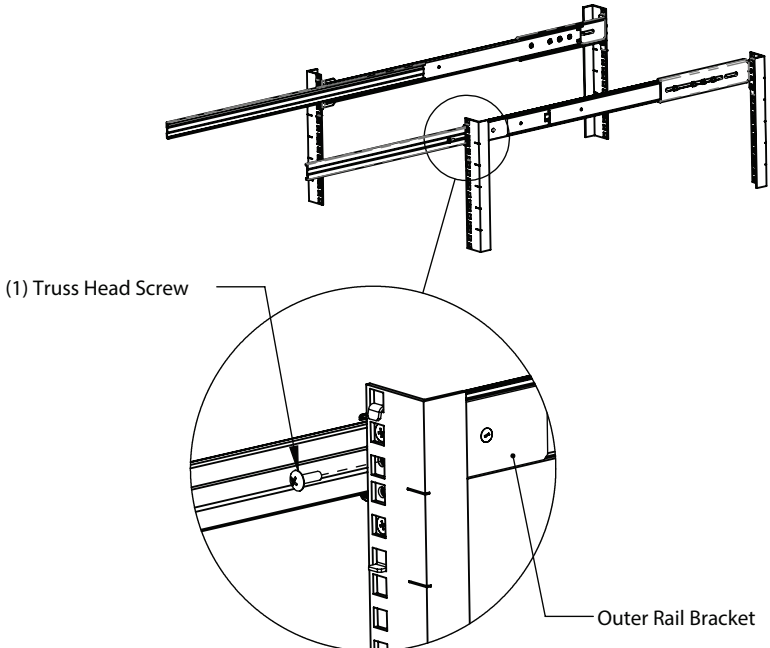
- (6) 8-32 x .500 Truss Head Screw

Installation Instructions

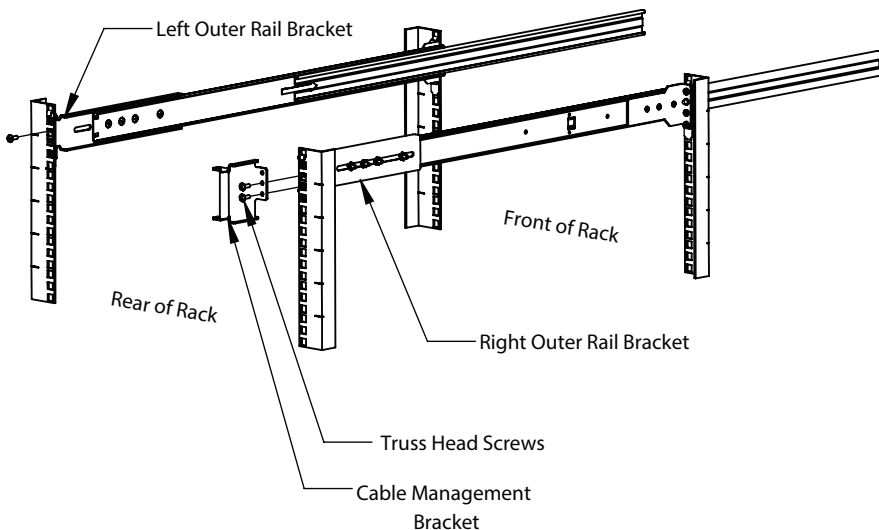
Step 1 **Remove the Outer Rails:** Remove the outer rails by sliding them back, and pulling the inner white clip. To ensure that the rails will smoothly slide out, do not apply excessive force.



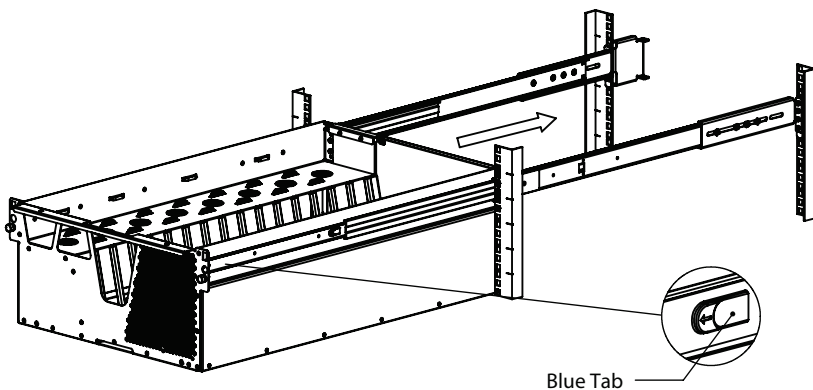
Step 2a **Attach the Outer Rails:** Attach the outer rails to the rack by hooking the top of the Outer Rail Bracket into the top hole of the "U" space. Secure the rails by installing (1) Truss Head Screw per side into the Outer Rail Brackets. Install the first set of rails loosely and the second set of rails tightly.



Step 2b Secure the Rear Outer Rails: Secure the rear of the outer rails by installing the (1) Truss Head Screw into the left Outer Rail Bracket, and install the (2) Truss Head Screws through the Cable Management Bracket and into the right Outer Rail Bracket.

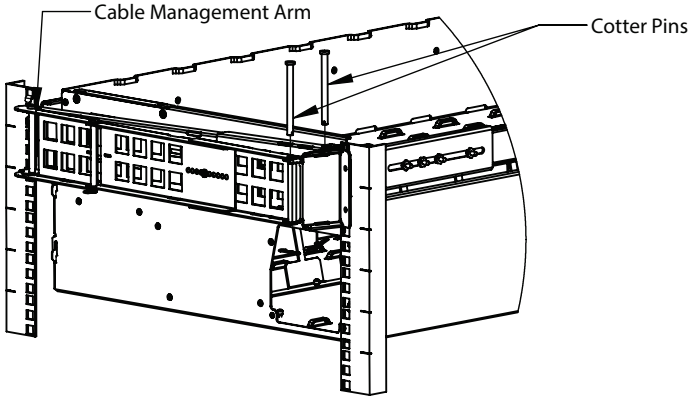


Step 3 Install the HyperShelf: Slide the shelf into the Outer Rails. Pull the blue tab on the inner rail to slide all the way in. Screw in the Thumb Screws to secure in place. Tighten loose rails to ensure that the HyperShelf slides into both rails at the same time. Two people are recommended for installation.



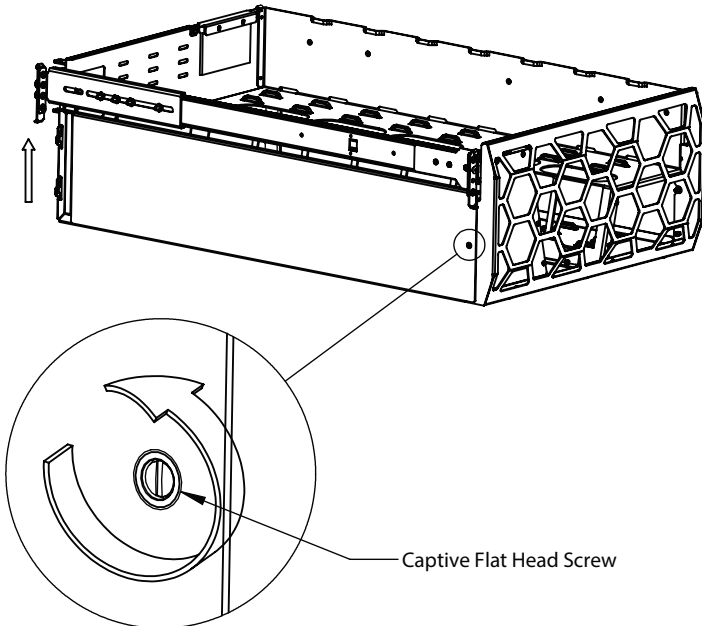
Disclaimer: Load HyperShelf with devices and cabling only once shelf is properly installed in rack. Devices should only be loaded once shelf is fully installed.

Step 4 Install the Cable Management Arm: Attach the Cable Management Arm to the HyperShelf by putting the Cotter Pins through the Cable Management Brackets attached to the shelf and to the Outer Rail. For detailed information on installing the Cable Management Arm, follow the instructions included in the Cable Management Arm box.



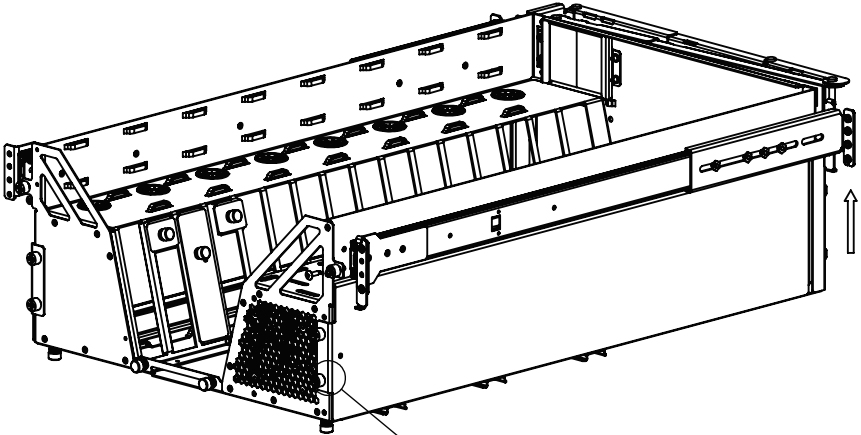
Side Panel Removal Instructions

Remove the Side Panels (Captive Screw): To remove the side panels, unscrew the captive flat head screw with a flat head screwdriver, then pull up on the side panel to disengage the rear hooks.

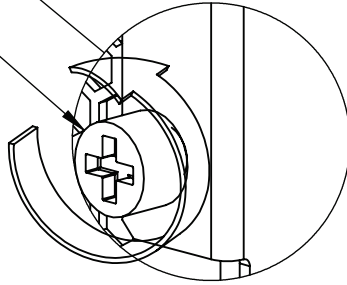


Side Panel Removal Instructions

Remove the Side Panels (Thumb Screw): For side panels with thumb screws, unscrew the thumb screws with a screwdriver, then pull up on the side panel to disengage the rear hooks.



Thumb Screw



Warranty Statement

Innovation First, Inc. warrants our products against defects in material and workmanship for a period of one (1) year from the date of purchase. Innovation First, Inc. liability shall be limited to repairing or replacing, at our option, any defective product.