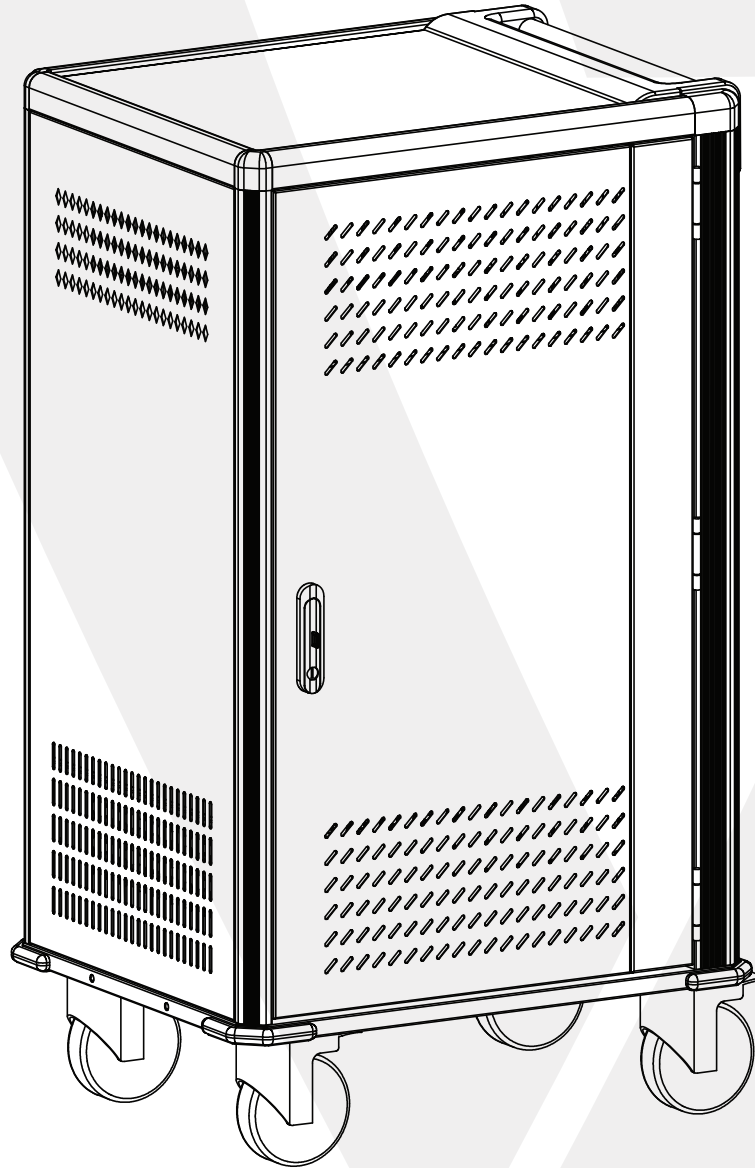


# Charge Cart

CHGCT36USBCPD-1N





# TABLE OF CONTENTS

## **1 Safety and Warnings**

## **2 Getting Started**

Package Includes

Cart Diagram

Unboxing

Locking the Cart

## **3 Setup**

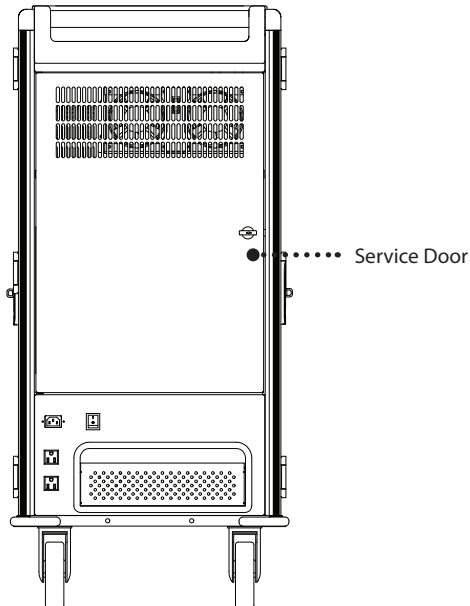
Plugging in Devices

Advanced Features

## **4 Technical Specs**

**CAUTION**

- To reduce risk of electric shock only use this product indoors.
- This product is heavy. Use caution handling and keep upright. Do not attempt to unpack or move it unassisted.
- Use caution when unpacking and save the packing material for later use. Scratches and other damage caused by mishandling is not covered by the warranty.
- Do not allow anyone to sit, stand, or climb on this product.
- Do not block the ventilation holes used for air circulation.
- Do not overload heavy objects on or inside this product.
- Before moving this product, disconnect the power from the wall outlet.
- While moving this product, make sure the power cord is secured.
- This product should always be used by adults or with adult supervision.
- Never unplug this product from the outlet when hands are wet or by pulling the power cord.
- Do not use an extension cord in conjunction with this product.
- Connection to any other type of receptacle other than a two-pole, three-wire grounded receptacle may result in shock hazard as well as violate local electrical codes.
- In the event of an emergency, disconnect the power cord from the AC power outlet.
- Do not plug the input of this product into its own output.
- Do not attach an additional extension cord, power strip, or surge protector to this product.
- Do not attach non-computer-related items, such as medical equipment, life-support equipment, microwave ovens, or vacuum cleaners to this product.
- Place cables in such a way that they won't be pulled or snagged, and no one can step on or trip over them.
- Do not attempt to disassemble this product. This product contains no user replaceable parts. Only factory service personnel may perform repairs.
- If this product is misused, incorrectly operated or repaired, the warranty will be void.
- Do not remove plugs from outlets in use labeled "Do not remove" with a red sticker. These are required for the charging system and auxiliary outlets of the cart to function.
- **Service Door** - Please open only if requested by V7 Technical Support.



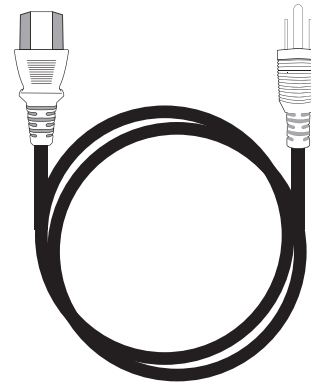
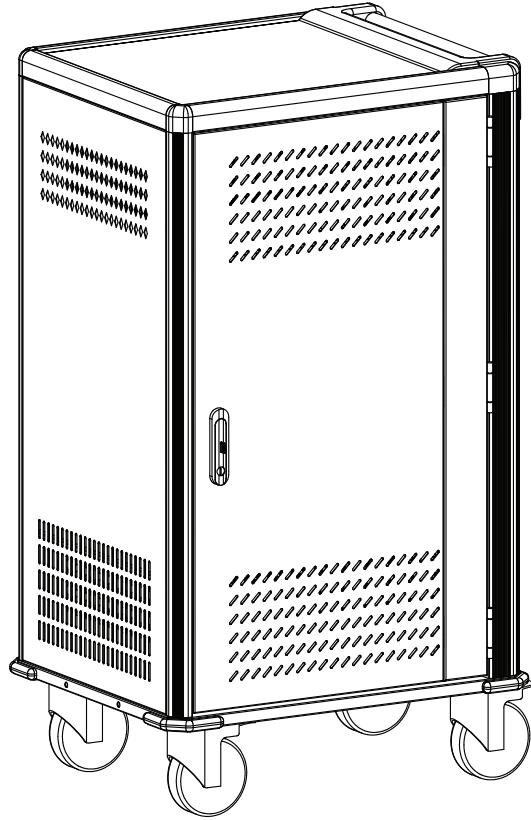
Note: The side and rear doors can only be opened by professional technician.  
The key for side and rear doors should be kept with Administrator.



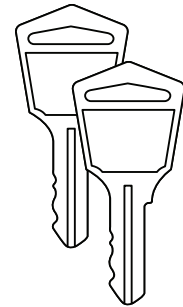
# 2 GETTING STARTED

## Package includes

- AC Power Cord
- Keys



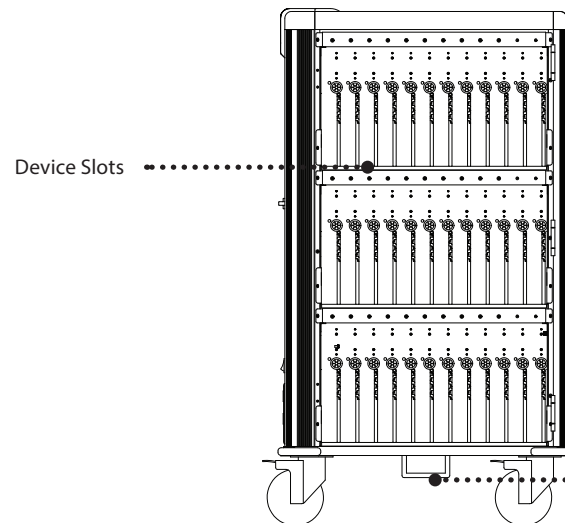
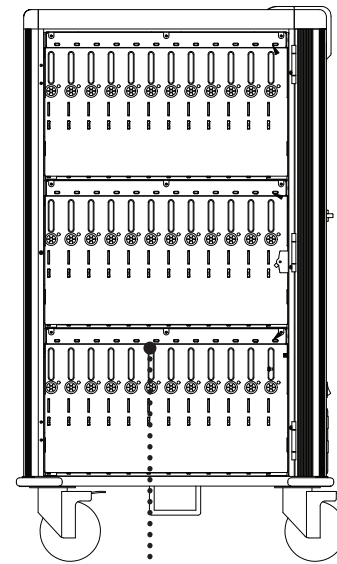
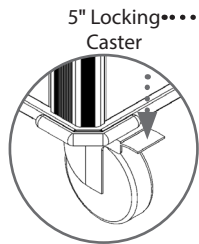
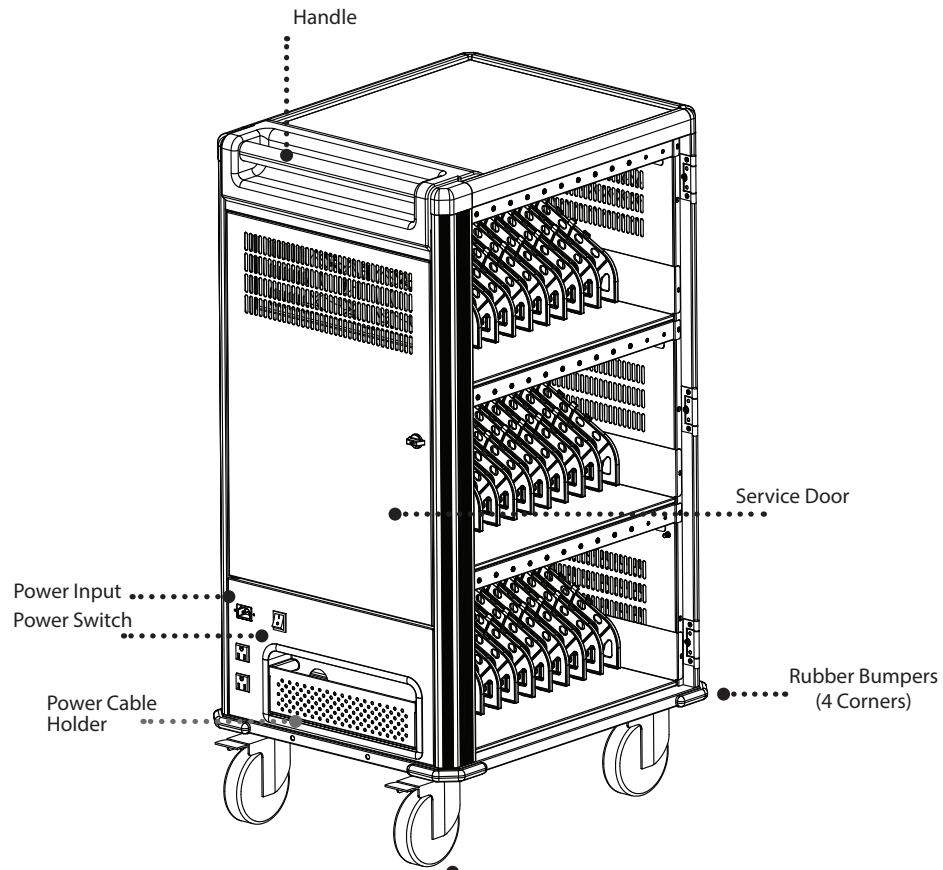
AC Power Cord



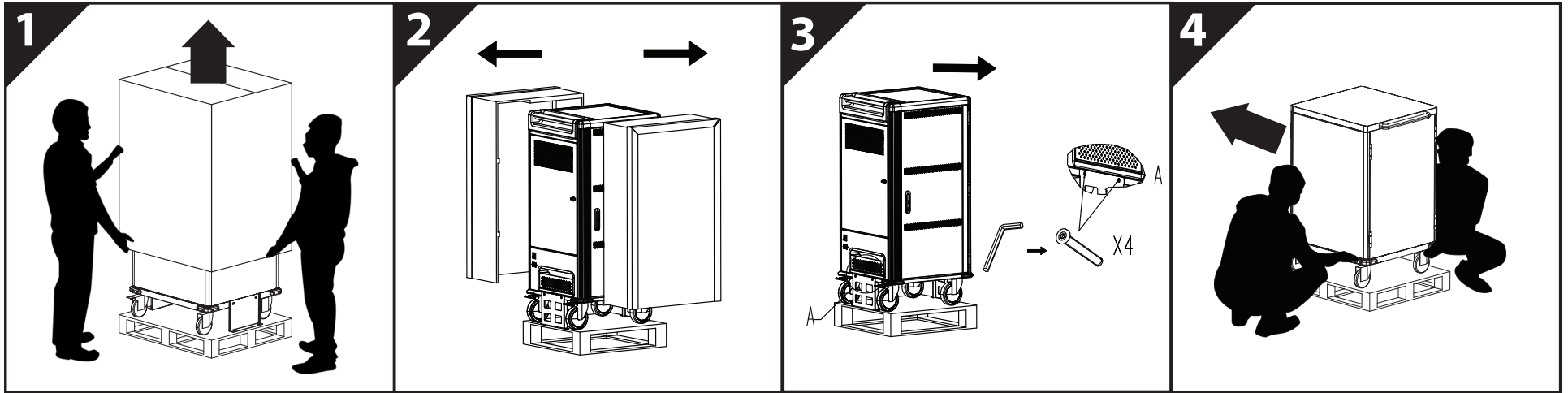
Keys

# Cart Diagram

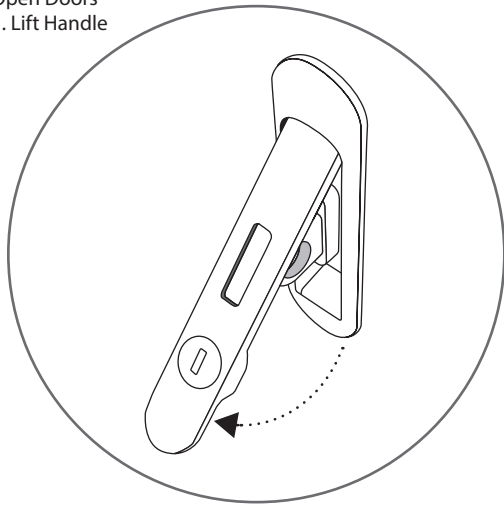
Front



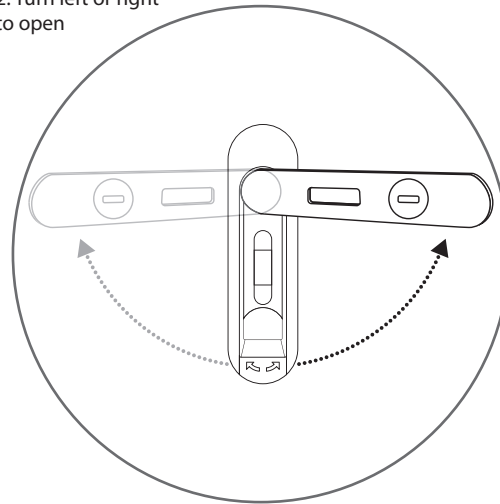
# Remove from pallet



Open Doors  
1. Lift Handle



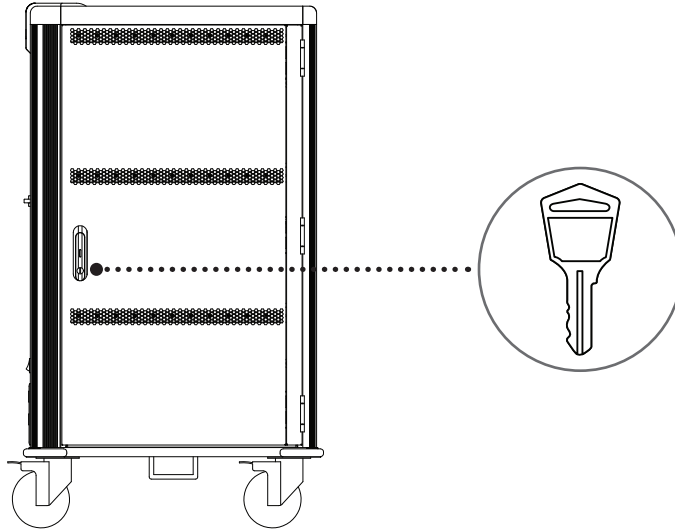
2. Turn left or right  
to open



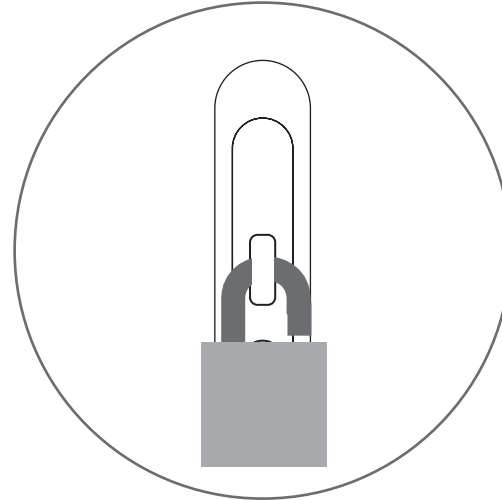
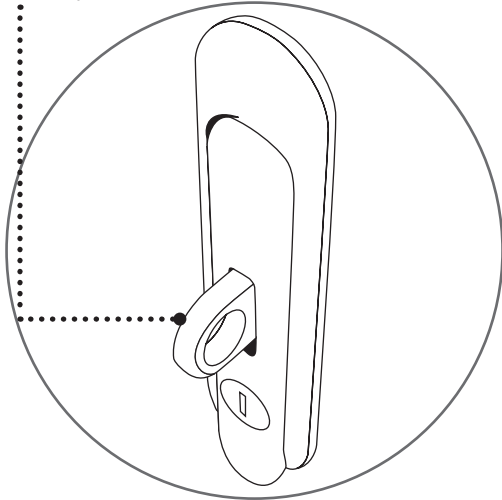


# Door Locks

Front/Back



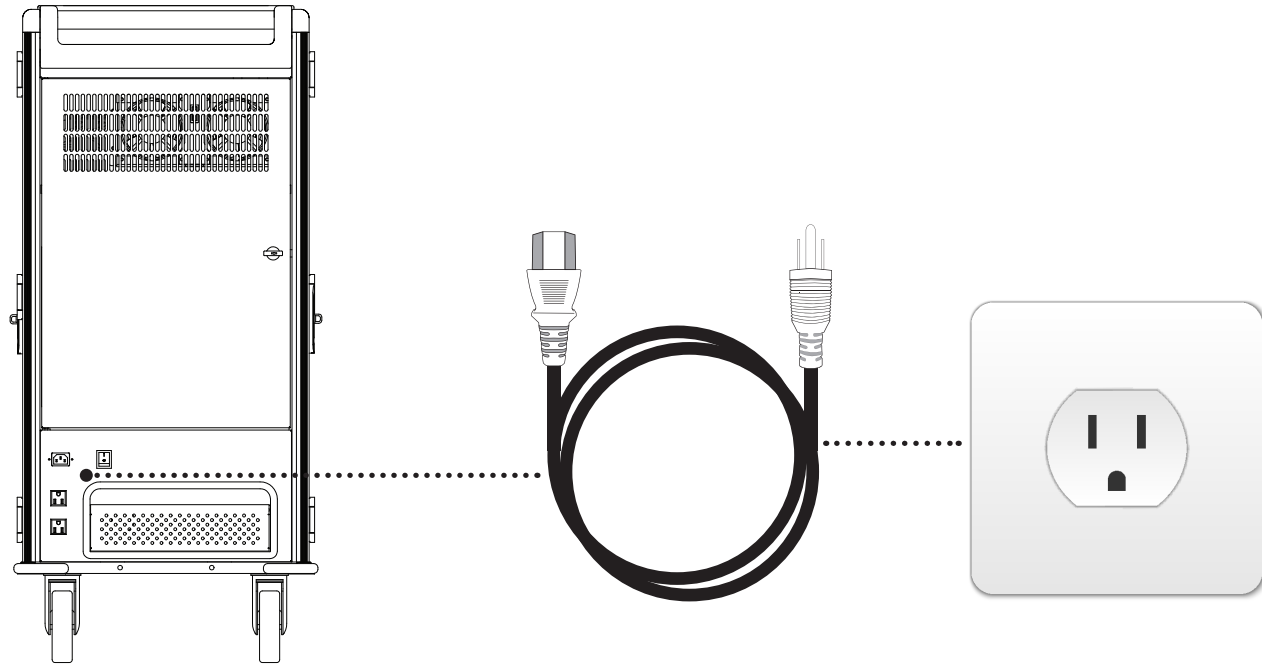
Pad Lock Loop



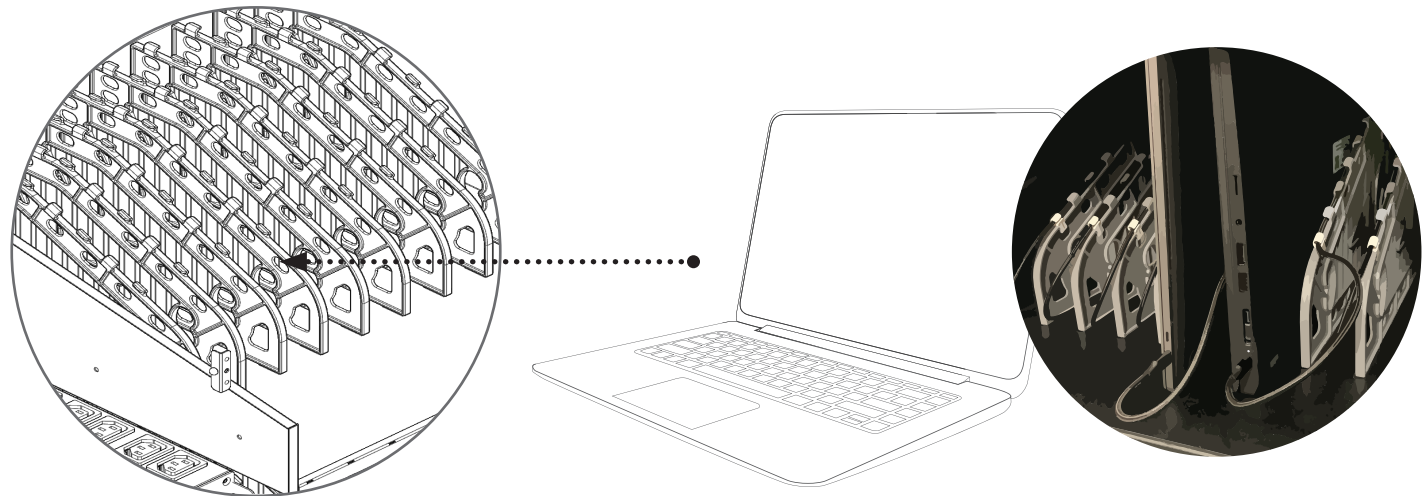
**\*Pad lock not included**

# 3 SETUP

## 1. Plug cart into outlet



## 2. Place the devices in the divider, all the charging cables are pre-wired, just use the cable to start charging

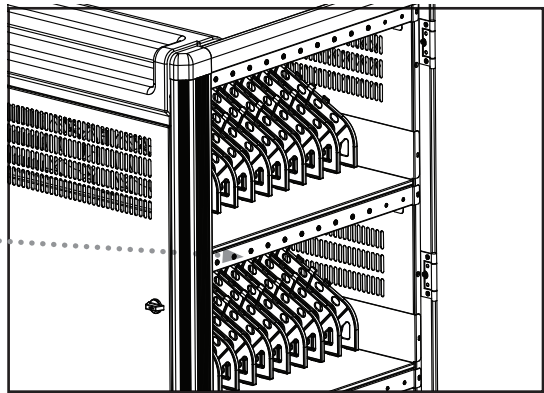


### Charging System

Charging all of your devices at one time can overload a typical circuit. V7 Charge Carts are equipped with intelligent charging that automatically switches the power to the USB-C devices that require power up to 65 Watts. To protect against overload, it will decrease the amount of watts to each device, and increases as devices become fully charged or are removed.

Charging system	USB-C Power Delivery (PD) Intelligent Charging System
LED charging indicators	Green: Charging completed / Devices not connected Red (On): Charging LED Off: Not in operation
Time to charge 30 computers	1.45 -2.5 hours
Fast charging	Yes

LED charging indicators



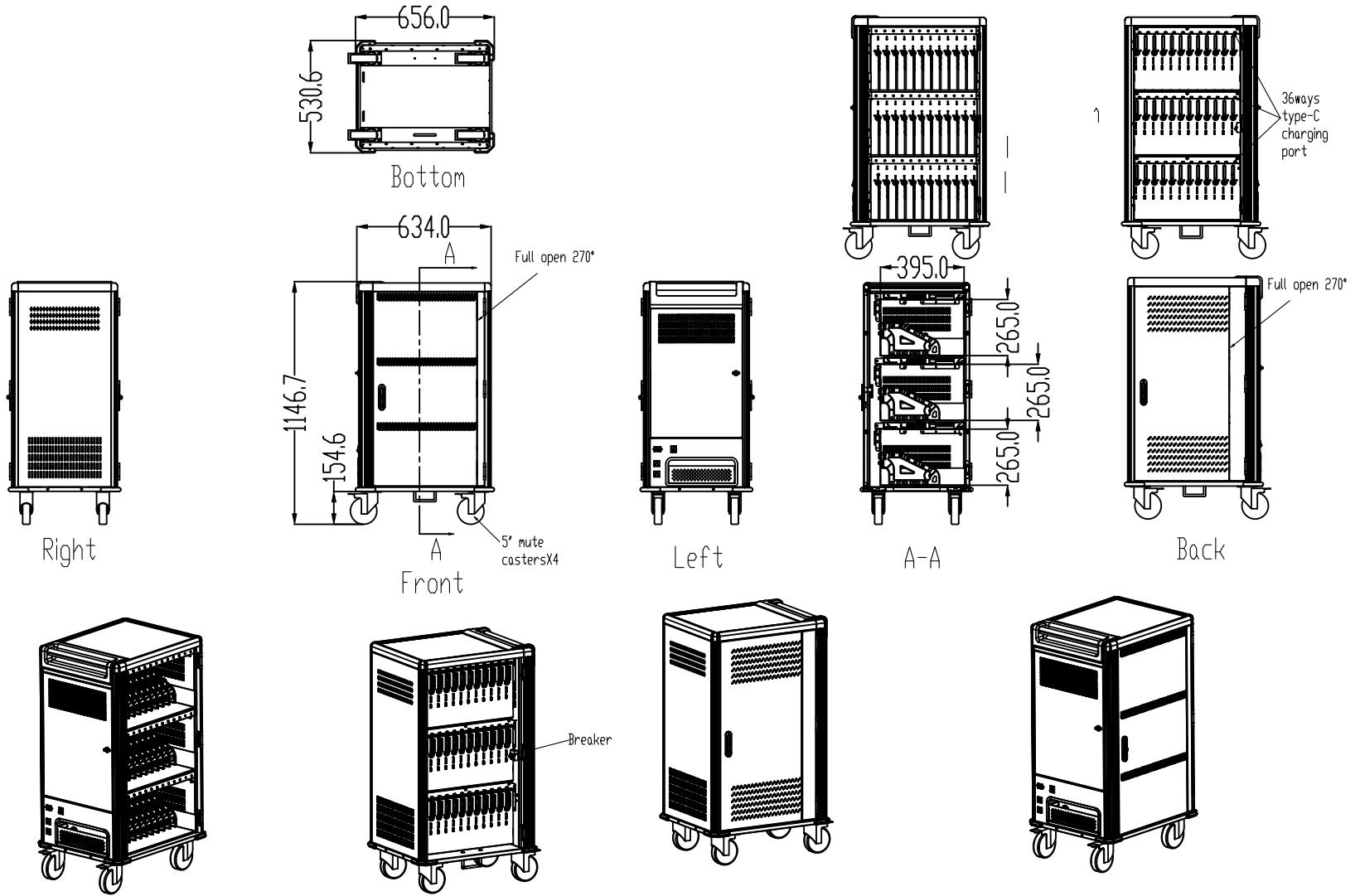
### Circuit Breaker:

There is a circuit breaker on the cart. If there is no power to internal and external outlets, check to see if the circuit breaker is tripped.



# 4 TECHNICAL SPECS

## Cart Dimensions



## CHGCT36USBCPD

<b>Color</b>	Black and Gray
<b>Material</b>	High-grade 18 gauge cold rolled steel
<b>Numbered Device Spaces</b>	36
<b>Organization and convenience</b>	Flexible device dividers with cable channels and numbered device slots, with cable management, prewired USB-C PD, recessed push handle
<b>Warranty</b>	5 Year
<b>Package Contents</b>	Charging Cart, 6 ft (1.83 m) Power Cord, Manual
<b>Input</b>	100-120VAC, 15A, 60HZ
<b>Output</b>	DC5-20V, 3.5A each port Max, total 12A Max
<b>Charging System</b>	USB-C Power Delivery (PD) Intelligent Charging System
<b>Rolling Casters size</b>	5 in (12.7 cm)
<b>Product Dimensions</b>	634 x 500 x 1147 mm
<b>Product Weight</b>	75 kg
<b>Package Size</b>	690 x 560 x 1212 mm
<b>Package Weight</b>	92 kg
<b>Device slot dimensions</b>	34 x 395 x 265 mm
<b>Safety &amp; Compliance</b>	UL, FCC, DOE, RoHS, Reach
<b>Environment*</b>	Operating: -10°C to 40°C Humidity: 20% to 80% RH Storage: -40°C to +60°C Humidity: 20% to 90% RH

\*Note: For this charge cart only. Check the environment specifications of the devices you are storing.

A large, light gray, stylized letter 'V' logo is centered on a white background. The 'V' is composed of two thick, parallel lines that meet at a point at the bottom. The top of the 'V' is slightly irregular, with a small notch on the right side.

[www.V7world.com](http://www.V7world.com)