

Installation Instructions

8-Port DIN Rail Mounting Keystone Panel

Model: N063-008-ENC

Este manual está disponible en español en la página de Tripp Lite: tripplite.com

Ce manuel est disponible en français sur le site Web de Tripp Lite : tripplite.com

Русскоязычная версия настоящего руководства представлена на веб-сайте компании Tripp Lite по адресу: tripplite.com

Dieses Handbuch ist in deutscher Sprache auf der Tripp Lite-Website verfügbar: tripplite.com

WARRANTY REGISTRATION

Register your product today and be automatically entered to win an ISOBAR® surge protector in our monthly drawing!

tripplite.com/warranty

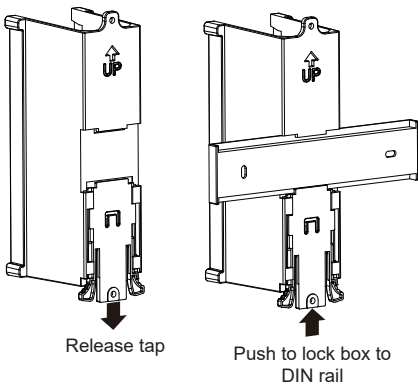


1111 W. 35th Street, Chicago, IL 60609 USA
tripplite.com/support

Copyright © 2022 Tripp Lite. All rights reserved.

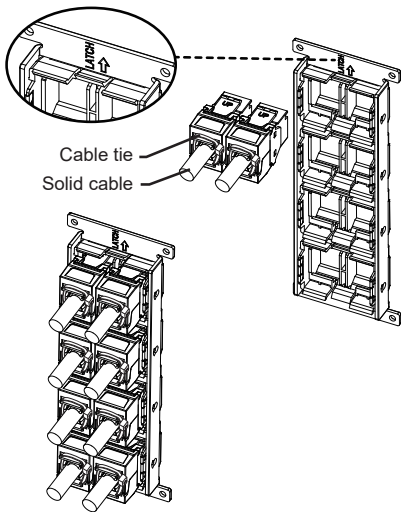
Installation

- 1 Attach the Box to the DIN rail.



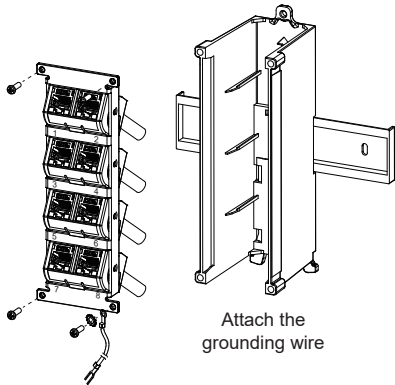
Installation

- 2 Finish cable termination on each RJ45 module.
- 3 Use the "LATCH" marking to locate the module direction. Place the assembled RJ45 module onto the back of the panel.
- 4 Snap each RJ45 module onto the panel until all RJ45 modules are installed.



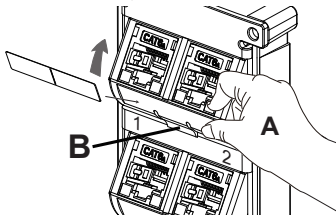
Installation

- 5 Use screws to attach the panel with terminated jacks to the box.



Installation

- 6** To adjust the modules:
- A** Rotate the bezel to the desired direction until you hear a clicking sound.
 - B** Press the clip onto the bezel to release the bezel and change the direction.





Manufacturing
Excellence.

1111 W. 35th Street, Chicago, IL 60609 USA
tripplite.com/support