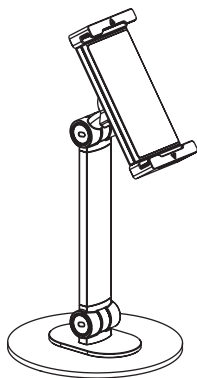


# Installation Instructions



## Tablet Mount for 4.7 to 12.9" tablets

Model: DMTB413

Este manual está disponible en español en la página de Tripp Lite: [tripplite.com](http://tripplite.com)

Ce manuel est disponible en français sur le site Web de Tripp Lite : [tripplite.com](http://tripplite.com)

Русскоязычная версия настоящего руководства представлена на веб-сайте компании Tripp Lite по адресу: [tripplite.com](http://tripplite.com)

Dieses Handbuch ist in deutscher Sprache auf der Tripp Lite-Website verfügbar: [tripplite.com](http://tripplite.com)

### WARRANTY REGISTRATION

Register your product today and be automatically entered to win an ISOBAR® surge protector in our monthly drawing!

[tripplite.com/warranty](http://tripplite.com/warranty)

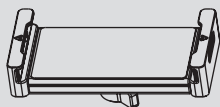


# TRIPP·LITE

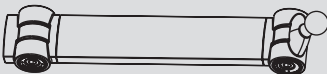
1111 W. 35th Street, Chicago, IL 60609 USA • [tripplite.com/support](http://tripplite.com/support)

Copyright © 2022 Tripp Lite. All rights reserved.

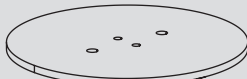
## Component Checklist



**A**  
x1



**B**  
x1



**C**  
x1

## Package P



**D**  
x1



**E**  
x2



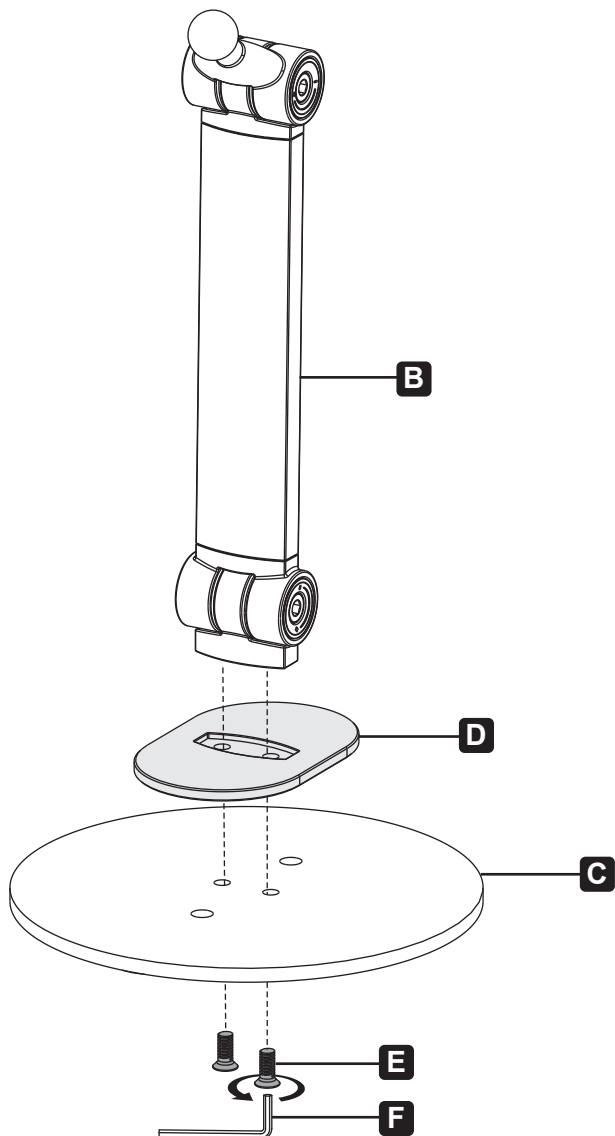
**F**  
x1



**G**  
x1

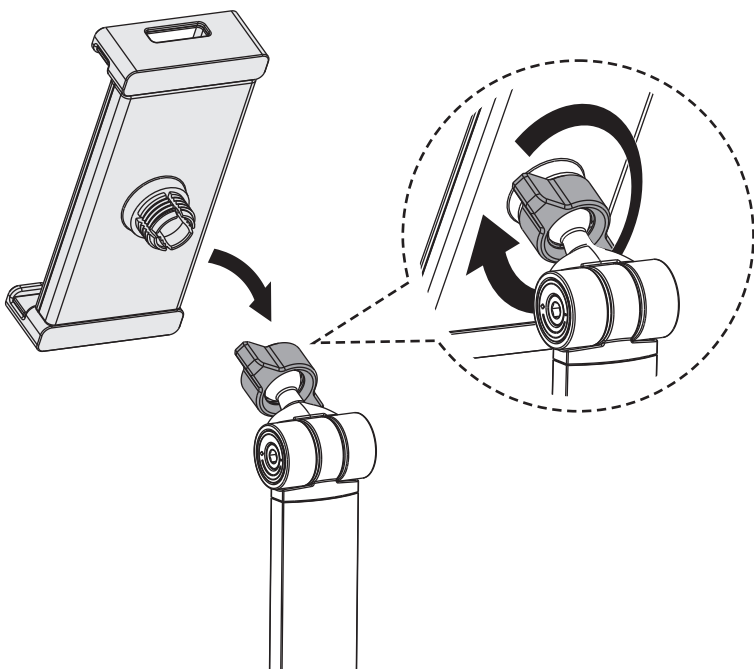
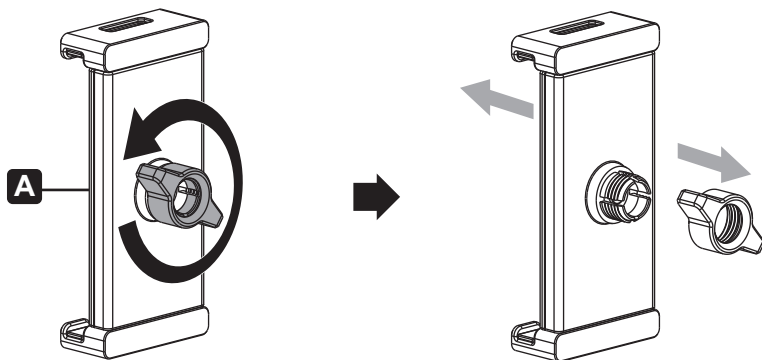
# Installation

1



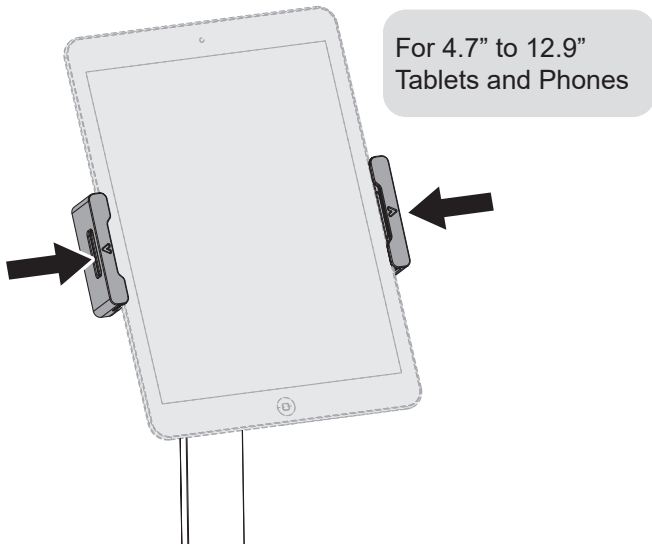
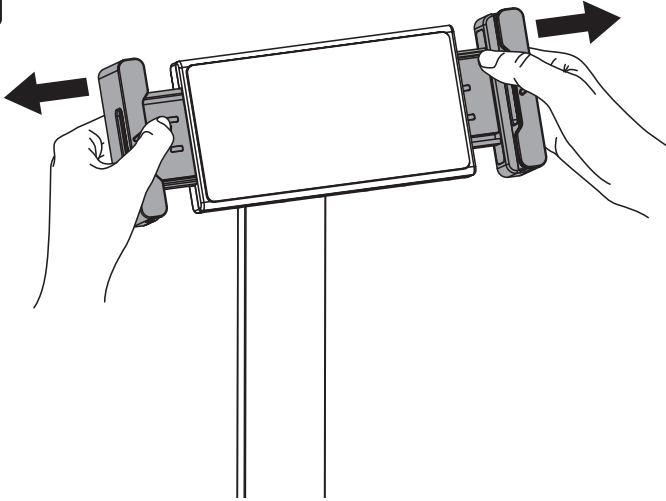
# Installation

2



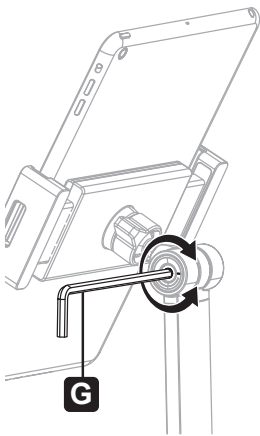
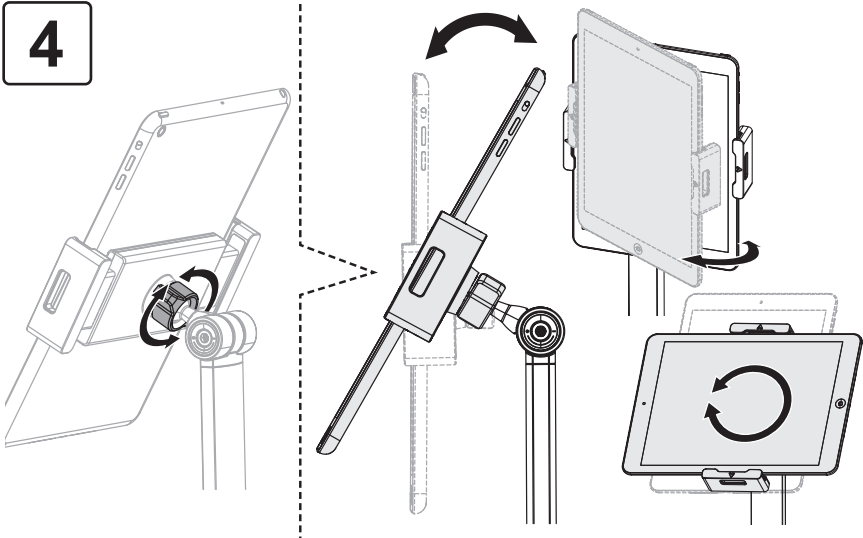
# Installation

3

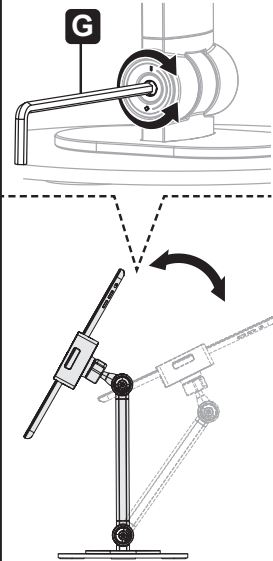
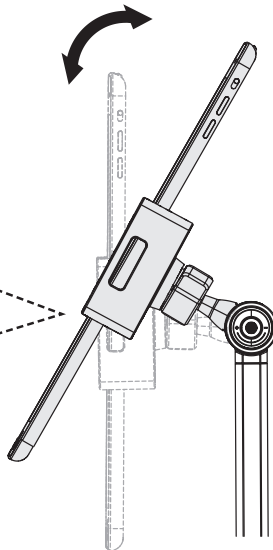


# Installation

4



**Note:** If the display does not stop at your desired position, tighten the screws, as shown.



**Note:** If the display does not stop at your desired position, tighten the screws, as shown.





1111 W. 35th Street, Chicago, IL 60609 USA • [tripplite.com/support](http://tripplite.com/support)